

 **BLAUPUNKT**



VELOCITY POWER  
ACTIVE SUBWOOFER  
**XLc 200 A**



*Enjoy it.*

**Operating and Installation Instructions**



# INTRODUCTION

Proper system planning is vital in order to maximize the device's performance and road safety. Plan your installation carefully to avoid compromising performance reliability of the system. Consult an authorized Blaupunkt dealer for installation or reparation. Read the manual carefully before operating the device for the first time.

## Safety Notes

Ensure to follow below safety notes during installation and wiring connection :-

- Disconnect the negative terminal of the battery. Refer to the safety notes of vehicle manufacturer. Ensure positions of the holes are nowhere near the
- vehicle component to avoid any damage during drilling. Incorrect installation may result in malfunction of the device or the car sound system.

## Installation and Connection Instructions

- Select a dry and well-ventilated location to install the device.
- The device must not be installed on the rear shelf, rear seats or exposed locations.
- The installation location must be suitable for screw holes and have stable ground support.

## Integrated Fuse

- The integrated fuse in the device protects the output voltage and the entire electrical system in case of malfunction. Do not replace damaged fuse with higher current.

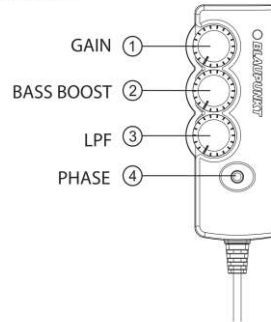
## Switching On/Off

- This device will automatically turn on if audio signal is detected. The device will also automatically turn off if audio signal is received.

## Disclaimer

- In no event shall Blaupunkt be liable for any direct, indirect, punitive, incidental, special consequential damages, to property or life, improper storage, whatsoever arising out of or connected with the use or misuse of our products.
- USA & CANADA : Product not intended for sale in the United States and Canada. If purchased in the U.S. or Canada, this product is purchased as-is. No warranty, express or implied is provided in the U.S. and Canada.

## Remote Control



1. Set the GAIN to 200mV (Min), PHASE to NORM., LOW PASS FILTER to Center before turning on the device. Set the Bass/Treble of head unit to zero. Set volume to lower level.
2. Gradually increase GAIN until the desired sound effect is achieved or until the sound distribution in the vehicle is even.
3. Avoid setting volume of the head unit and GAIN too high to prevent sound distortion. Ensure speakers are functioning well to avoid sound distortion too.
4. Then adjust the LOW PASS FILTER (L.P.F.) to the desired frequency.
5. Changing the LPF will change the sound output of the subwoofer. Continue to adjust GAIN, LPF and volume until the desired setting is found.
6. Play the music from the head unit while sitting at the driver and switch between NORM and REV to select the desired sound output setting. The ideal PHASE is subjective and varies from one vehicle to another, depending on the location of the device and the acoustic characteristics of the vehicle interior.

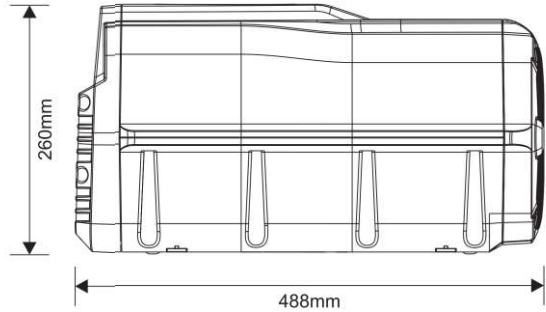
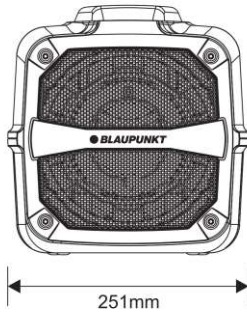
## Recycling and Disposal



Do not dispose of your old unit in the household trash!  
Use the return and collection systems available to dispose of the old device.

This manual may be updated from time to time without any notice.

# SPECIFICATION



## Subwoofer

- Speaker Size : 203mm Dual Voice Coil
- Voice Coil Size : 49.55mm
- Impedance : (4.0 + 4.0)ohms
- Cone Composition : Fiberglass
- Magnet Type : Ferrite
- Enclosure Housing Material : Aluminium
- Enclosure Dimension (LxWxH) : 488 x 251 x 260mm
- Enclosure Net Weight : 11kg

## Amplifier

- Amplifier Technology : Class D
- Normal Output Power (RMS) : 200W
- Max. Output Power : 380W
- Sensitivity (In Car/1W) : 85dB
- Signal / Noise Ratio (dB) : >90dB
- Frequency Response : 20Hz-150Hz
- Low Pass Filter (LPF) : 50Hz-150Hz
- Voltage : 10V – 14.4V
- Phase Switch : 0 deg / 180 deg
- Automatic On/Off (Hi & Lo) : High Level Only

## Accessories



Fastener Tapes x2



Screws (M3x6) x2



Screws (M5x10) x4



Screws (M4x20) x4



Remote Controller x1



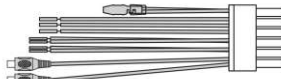
Cable Holder Bar x1



Mounting Brackets x4  
(45 x 22 x 6mm)



4.5m DC Cord x1



Wiring Harness x1

# WIRING DIAGRAM

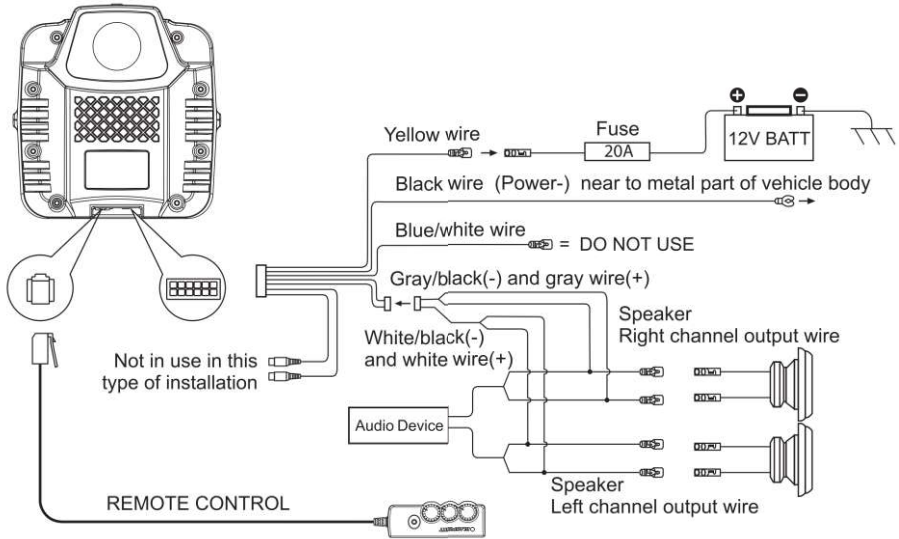
Use the supplied cable and wire harness to connect the outputs correctly by referring to Diagram 1 & Diagram 2.



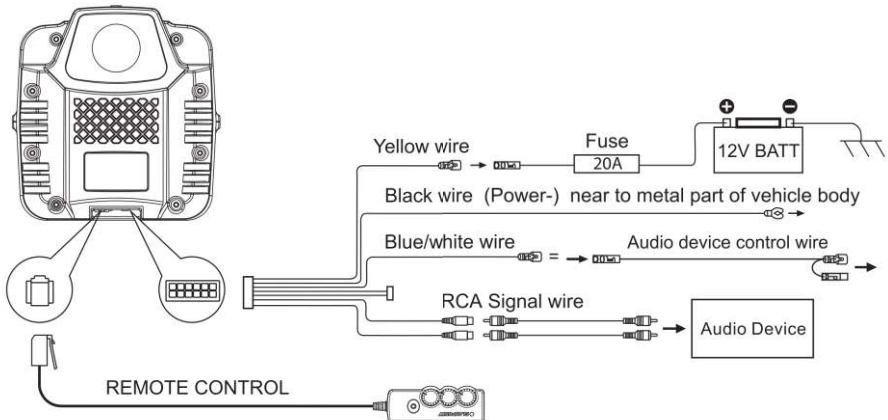
## WARNING

If you are using only the Low level (RCA) inputs, you must connect the remote wire from the subwoofer to the system's head unit so subwoofer will turn on and off with the system. If you will be using the speaker-level outputs from your head unit, you do not need to connect the remote output. The subwoofer's speaker-level inputs will sense voltage on the speaker wires and the subwoofer will turn itself on. Use only one of the audio inputs, otherwise, it may lead to audio interference.

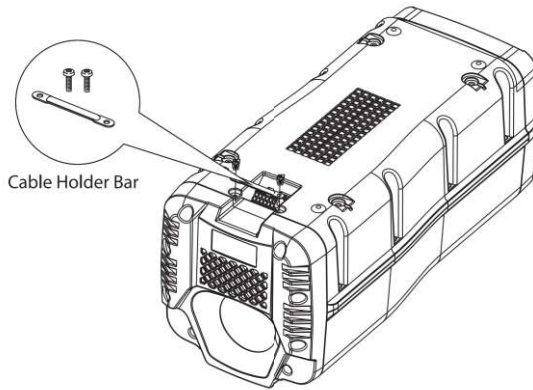
**Diagram 1 (High Level Input)**



**Diagram 2 (Low Level RCA Input)**



# INSTALLATION



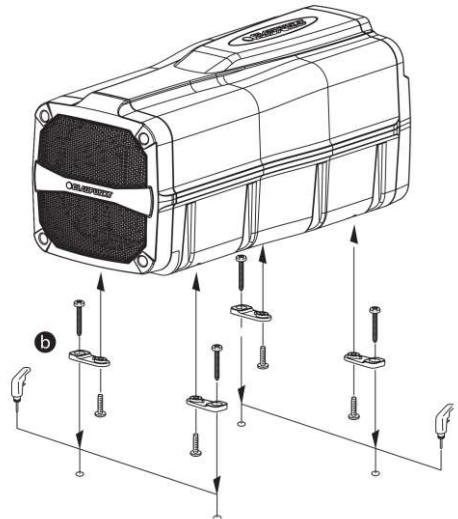
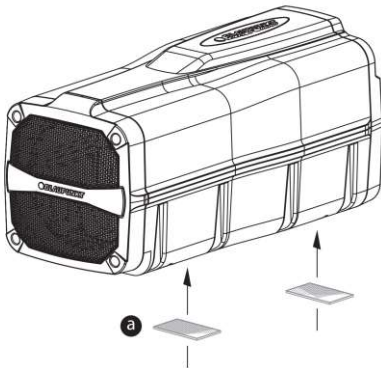
Select an ideal installation location to install the subwoofer. It can be installed by using fastener tapes or mounting brackets.

## a) Fastener Tapes

Place the fastener tapes on the bottom of the subwoofer and fix it on the floor.

## b) Mounting Brackets

Fix the attached mounting brackets to the bottom of the subwoofer by using four (M5x10) screws. Then, mark the tapping screw's position on the floor and drill the holes to fix the subwoofer by using four (M4x20) screws.



## TROUBLESHOOTING

---

If any of the following problem occur, please resort to Troubleshooting for the possible solutions. Consult Blaupunkt authorized dealer if problem persist.

Problems	Solutions
Amplifier power up failure	Examine if the ground connection is intact.
	Examine if remote input has at least 5V DC.
	Ensure supplied voltage is minimum 12V.
	Examine if fuse is broken and replace if necessary.
	Restart the device if protection LED light is on.
No sound output	Examine fuses and replace if necessary.
	Examine ground connection is intact.
	Examine if remote input has at least 5V DC.
	Examine if RCA audio cables are connected to the right inputs.
	Examine if speaker wiring is intact.
Low sound output	Reset Level Control.
	Examine the Crossover Control setting.
Buzzing noise	Observe if the device is still producing noise after turning on and off the amplifier. If yes, examine if the cables are correctly connected and if the cables and radio are in good condition. Repair or replace if the cables or the radio are not in good condition.
Squealing noise interference	Ensure RCA connections are properly connected.
Distorted sound output	Ensure input level of the device matches the signal level of the head unit.
	Always set the input level to the lowest.
	Examine if crossover frequency is set correctly.
	Examine if speaker wire had short-circuit.
Amplifier temperature increased	Examine the minimum speaker impedance for the amp models is correct.
	Ensure good air ventilation around the device. Add external cooling fan if necessary.
Engine noise (static sound) interference	Usually caused by poor RCA cable quality, which release noise. Use only the best quality cables, and route them away from power cables.
Engine noise (alternator whine) interference	Examine if RCA cable are nowhere near or attached to the vehicle chassis. Examine if head unit is properly connected to the wires.

