

 **BLAUPUNKT**



AIR PURIFIER  
AIRPURE **AP 2.0**



*Enjoy it.*

**Operating and Installation Instructions**

## CAUTIONS

### Safety Notes

- Do not clean or spill liquids or flammable solvents on the device.
- Clean with soft cloth only. Disconnect AirPure before cleaning.
- Handle with care. Do not drop. Keep it away from electric & magnetic area.
- Keep AirPure free of any object obstructing the air flow.
- Do not let children play with air purifier.
- Do not operate the device while driving.
- Use the power cable provided only.
- Do not wash the filter.

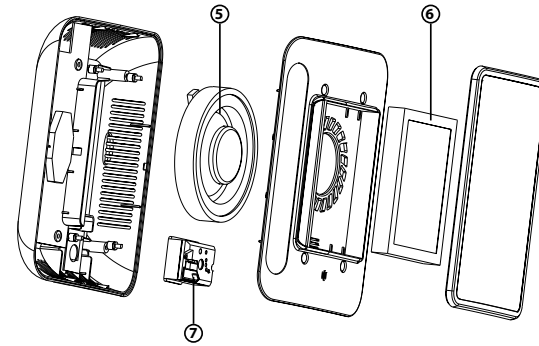
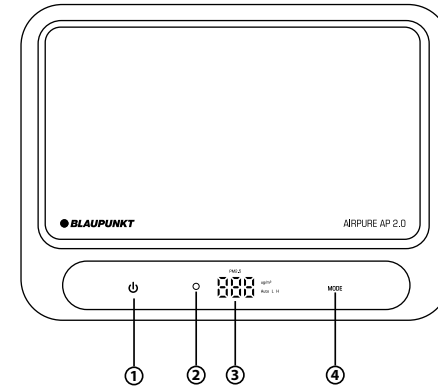
This manual may be updated from time to time without any notice.

### Disclaimer

In no event shall Blaupunkt be liable for any direct, indirect, punitive, incidental, special consequential damages to property or life and whatsoever arising out of or connected with the use or misuse of our products.

USA & CANADA: This product is not intended for sale in the United States and Canada. If purchased in the U.S. or Canada, this product is purchased on as-is basis. No warranty, whether expressed or implied is provided in the U.S. or Canada.

## STRUCTURE & FUNCTIONS



### Functions

1. Touch Control (Power Button)
2. Filter Replacement Reminder
3. PM 2.5 Indicator
4. Fan Speed Control
5. Centrifugal Fan
6. APF2 (Pre Filter, HEPA Filter, Activated Carbon Filter)
7. PM 2.5 Sensor

## SPECIFICATION

- Indicator Display : PM 2.5 Level, Filter Replacement Reminder, Auto/ Manual Fan Speed
- Pre-packed with Blaupunkt AirPure Filter (APF2)
- Noise Level : 55dB
- Fan Type : Centrifugal Fan
- HEPA Filter Grade : H13
- Applicable for Space : 5m<sup>3</sup> - 10m<sup>3</sup>
- Input Voltage : 5V
- Current : 1A
- Power : <7W
- Dimensions : 200 x 150 x 55mm
- Net Weight : 500g
- Accessories : 4m USB Power Cable, Car Charger, Car Headrest Holder, Anti Slip Mat

## TROUBLESHOOTING

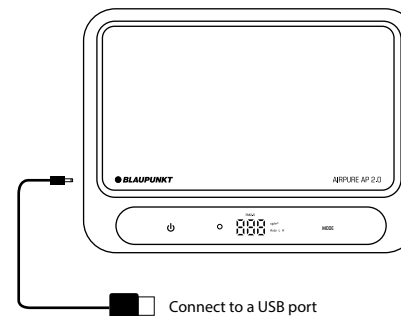
If any of the following problem occur, please resort to Troubleshooting for the possible solutions. Consult Blaupunkt authorized dealer if problem persist.

Problems	Possible Causes	Solutions
Air purifier does not power on	Air purifier is not connected to a power supply.	Ensure the USB cable is properly connected to USB power supply ports and air purifier's power input.
Airflow is significantly reduced	Exceed filter replacement cycle.	Replace with new filter.
Unusual noise while operating	Filter is not fitted properly.	Refer to operation instruction for correct filter replacement steps.

## OPERATION INSTRUCTION

### Air Purifier

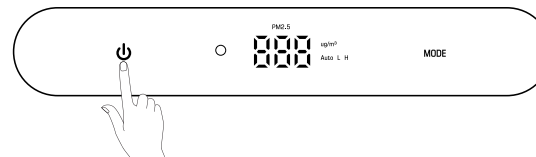
1. Connect USB charger to the 5V/1A power supply input of Air Purifier. Air purifier will have buzzing sound and blue illumination when turn on.



Connect to a USB port

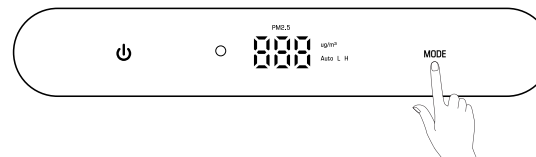
### 2. Power Button

- a) Turn On/Off
  - Press to manually turn on Air Purifier, press again to manually turn off.
- b) After Filter Replacement
  - Press and hold for 5 seconds on the power button to reset filter replacement reminder.



### 3. MODE Button

- The fan speed of air purifier can be adjusted by pressing "MODE" button (Auto/L/H).
- \* **Auto** : Smart fan will adjust fan speed according to air quality
- \* **L** : Low fan speed
- \* **H** : High fan speed

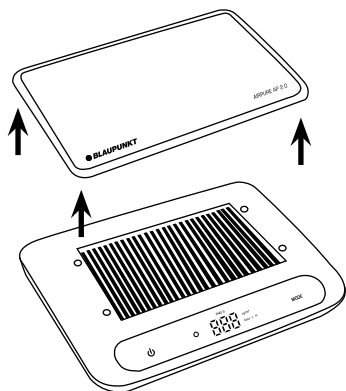


# OPERATION INSTRUCTION

---

## Filter Replacement

1. Remove the cover of air purifier.



2. Remove the dirty filter and replace it with the new filter (APF2).

