

**Owner's Manual
Instrukcja obsługi
Návod k použití
Navodila za uporabo
Használati útmutató
Upute za upotrebu
Lietošanas instrukcija**

**Instrucțiune de deservire
Инструкция за употреба
Οδηγίες χρήσης
Kasutusjuhend
Naudojimo instrukcijos
Užívateľská príručka**



Enjoy it.

Party speaker system

Important Safety Instructions


CAUTION

RISK OF ELECTRIC SHOCK DO NOT OPEN

Caution:

To reduce the risk of electric shock, do not remove cover (or back). No user serviceable parts inside. Refer servicing to qualified service personnel.

Explanation of Graphical Symbols:



The lightning flash within an equilateral triangle is intended to alert you to the presence of uninsulated dangerous voltage within the product's enclosure that may be of sufficient magnitude to constitute an electric shock to a person or persons.



The exclamation point within an equilateral triangle is intended to alert you to the presence of important operating and maintenance (servicing) instructions in the literature accompanying the product.

To achieve the utmost in enjoyment and performance, and in order to become familiar with its features, please read this manual carefully before attempting to operate this product. This will assure you years of trouble free performance and listening pleasure.

Important Notes

- This safety and operating instruction should be retained for future reference.
- The apparatus should not be exposed to dripping or splashing or placed in a humid atmosphere such as a bathroom.
- Do not install the product in the following areas:
- Places exposed to direct sunlight or close to radiators.
- On top of other stereo equipment that radiate too much heat.
- Blocking ventilation or in a dusty area.
- Areas where there is constant vibration.
- Humid or moist places.
- Do not place near candles or other naked flames.
- Operate the product only as instructed in this manual.
- Before turning on the power for the first time, make sure the power adaptor is properly connected.
- Plug-in the USB stick directly or use a USB-extension cable which is not longer than 25 cm.

For safety reasons, do not remove any covers or attempt to gain access to the inside of the product. Refer any servicing to qualified personnel.

Do not attempt to remove any screws, or open the casing of the unit; there are no user serviceable parts inside. Refer all servicing to qualified service personnel.

SAFETY INSTRUCTIONS

1. Read Instructions - All the safety and operating instructions must be read before the product is operated.
2. Retain Instructions - The safety and operating instructions should be kept with the product for future reference.
3. Heed warnings - All warnings on the product and in the operating instructions should be adhered to.
4. Follow instructions - All operating and users' instructions should be followed.
5. Installation - Install in accordance with the manufacturer's instructions.
6. Power sources - This product should be operated only from the type of power source indicated by the marking adjacent to the power cord entry. If you are not sure of the type of power supply to your home, consult your product dealer or local power company.
7. Grounding or polarization - the product is not required to be grounded. Ensure that the plug is fully inserted into the wall outlet or extension cord receptacle to prevent blade or pin exposure. Some versions of the product are equipped with a power cord fitted with a polarized alternating line plug (a plug having one blade wider than the other). This plug will fit onto the power outlet only one way. This is a safety feature. If you are unable to insert the plug fully into the outlet, try reversing the plug. If the plug should still fail to fit, contact your electrician to replace your obsolete outlet. Do not defeat the safety purpose of the polarized plug. When using an extension power-supply cord or a power-supply cord other than that supplied with the appliance, it should be fitted with the appropriate molded plugs and carry safety approval appropriate to the country of use.
8. Power cord protection - Power-supply cords should be routed so that they are not likely to be walked on, kinked or pinched by items placed on or against them, paying particular attention to cords from plugs, receptacles and the point where they exit from the product.
9. Overloading - Do not overload wall outlets, extension cords, or multiple sockets, as this can result in a risk of fire or electric shock.
10. Ventilation - The product must be properly ventilated. Do not place the product on a bed, sofa, or other similar surface. Do not cover the product with any items such as tablecloths, newspapers, etc.
11. Heat - The product should be situated away from heat sources such as radiators, heat registers, stoves, or other products, including amplifiers that produce heat. No naked flame sources, such as lighted candles, should be placed on the apparatus.
12. Water and moisture - To reduce the risk of fire or electric shock, do not expose the product to rain, dripping, splashing or excessive moisture such as in a sauna or bathroom. Do not use this product near water, for example, near a bathtub, washbowl, kitchen sink, laundry tub, in a wet basement or near a swimming pool (or similar).

13. Object and Liquid Entry - Never push objects of any kind into this product through openings, as they may touch dangerous voltage points or short-circuit parts that could result in a fire or electric shock. Never spill liquid of any kind on the product. Do not place any object containing liquid on top of the product.
14. Cleaning - Unplug the product from the wall outlet before cleaning. Dust in the woofer may be cleaned with a dry cloth. If you wish to use an aerosol cleaning spray, do not spray directly on the cabinet; spray onto the cloth. Be careful not to damage the drive units.
15. Attachments - Do not use attachments not recommended by the product manufacturer, as they may cause hazards.
16. Accessories - Do not place this product on an unstable cart, stand, tripod, bracket or table. The product may fall, causing serious injury to a child or adult, and serious damage to the product. Use only with a cart, stand, tripod, bracket or table recommended by the manufacturer or sold with the product. Any mounting of the product should follow the manufacturer's instructions and should use a mounting accessory recommended by the manufacturer.
17. Moving the product - A product and cart combination should be moved with care. Quick stops, excessive force and uneven surfaces may cause the product and cart combination to overturn.
18. Unused periods - The power cord of the appliance should be unplugged from the outlet during lightning storms or when the apparatus is left unused for a long period of time.
19. Servicing - Do not attempt to service this product yourself, as opening or removing covers may expose you to dangerous voltage or other hazards. Refer all servicing to qualified service personnel.
20. Please remove the power plug from the main power source or wall power source when not in use. When plugged in to a power source, the system is in standby mode, so the power is not entirely cut off.
21. Replacement parts - When replacement parts are required, ensure that the service technician has used replacement parts specified by the manufacturer or have the same characteristics as the original part. Unauthorized substitutions may result in fire, electric shock or other hazards.
22. Mains fuses - For continued protection against fire hazard, use fuses only of the correct type and rating. The correct fuse specification for each voltage range is marked on the product.
23. Do not turn up the volume while listening to a section with very low level inputs or no audio signals. If you do, the speaker may be damaged when a peak level section is suddenly played.
24. The only means of completely disconnecting the product from the power supply is by removing the power cord from the wall outlet or the product. The wall outlet or the power cord entry to the product must remain freely accessible at all times while the product is in use.
25. Try to install the product near a wall socket or extension cord and shall be easily accessible.
26. The highest environmental temperature suitable for this product is 35°C.
27. ESD hints - If the product maybe reset or not reset to operation of control due to electrostatic discharge, just switch off and reconnect again, or move the product to another location.
28. Battery
 - a. The batteries must not be exposed to excessive heat such as sunshine, fire or the like.
 - b. The batteries should be drawn to the environmental aspects of battery disposal.
 - c. Battery usage CAUTION-to prevent battery leakage which may result in body injuries, property damage, or damage to the apparatus:
 - . Install all batteries correctly, + and – as marked on the apparatus.
 - . Do not mix batteries (old and new or carbon and alkaline, etc.)
 - . Remove batteries when the unit is not used for a long time.

ERP2 (Energy Related Products) note

This product with ecodesign complies with the stage 2 requirements of Commission Regulation (EC) NO. 1275/2008 implementing Directive 2009/125/EC regard to standby and off mode electric power consumption of electronic household and office equipment. After 30 minutes without any audio input, the device will automatically switch into standby mode. Follow up the instruction manual to resume the operation.

Important note:

This device is equipped with an energy saving mode: if no signal is given during 30 minutes the device will switch automatically into standby mode in order to save energy (ERP 2 standard). Please note that low volume setting in the audio source may be recognized as "no audio signal": this will affect the capability of signal detection from the device and can also originate an automatic switch into standby mode. If this happens please reactivate the audio signal transmission or increase the volume setting on the audio source player (MP3 player, etc.), in order to resume playback. Please contact the local service center if the problem remains.

WARNING

This appliance is not intended for use by persons (including children) with reduced physical sensory or mental capabilities, or lack of experience and knowledge, unless they have been given supervision or instruction concerning use of the appliance by a person responsible for their safety. Children should be supervised to ensure that they do not play with the appliance.

1. Never use the device unsupervised! Switch off the device whenever you are not using it, even if this only for a short while.
2. The appliance is not intended to be operated by means of an external timer or separate remote control system.
3. If the supply cord is damaged, it must be replaced by the manufacturer, its service agent or similarly qualified persons in order to avoid a hazard.
4. Before operating this system, check the voltage of this system to see if it is identical to the voltage of your local power supply.

5. The unit should not be impeded by covering the ventilation opening with items such as newspaper, table-cloths, curtains etc. Make sure that there are at least 20 cm of space above and at least 5 cm of space on each side of the unit.
6. The apparatus must not be exposed to dripping or splashing and that objects filled with liquids, such as vases, must not be placed on the apparatus.
7. To prevent fire or shock hazard, do not expose this equipment to hot places, rain, moisture or dust.
8. Do not locate this unit near any water sources e.g. taps, bathtubs, washing machines or swimming pools. Ensure that you place the unit on a dry, stable surface.
9. Do not place this unit close to a strong magnetic field.
10. Do not place the unit on an amplifier or receiver.
11. Do not place this unit in a damp area as the moisture will affect the life of electric components.
12. If the system is brought directly from a cold to a warm location, or is placed in a very damp room, moisture may condense on the lens inside the player. If this occurs, the system will not operate properly. Please leave the system turned on for about an hour until the moisture evaporates.
13. Do not attempt to clean the unit with chemical solvents as this might damage the finish. Wipe with a clean, dry or slightly damp cloth.
14. When removing the power plug from the wall outlet, always pull directly on the plug, never pull on the cord.
15. Depending on the electromagnetic waves used by a television broadcast, if a TV is turned on near this unit while it is also on, lines might appear on the TV screen. Neither this unit nor the TV is malfunctioning. If you see such lines, keep this unit well away from the TV set.
16. The mains plug is used as the disconnect device, the disconnect device must remain readily operable.
17. To prevent possible hearing damage, do not listen at high volume levels for long periods.

**NOTICE**

Conformity

Hereby, Blaupunkt Competence Center 2N-Everpol Sp. z o.o., declares that this equipment is in compliance with the essential requirement and other relevant provisions of Directive 2014/53/EU. Declaration of conformity can be obtained from the product page at www.blaupunkt.com.

Responsible party: 2N-Everpol Sp. z o.o., Puławska 403A, 02-801 Warsaw, Poland, Phone: +48 22 688 08 00, E-mail: info@everpol.pl



Your product is designed and manufactured with high quality materials and components, which can be recycled and reused.



When this crossed-out wheeled bin symbol is attached to a product it means that the product is covered by the European Directive 2012/19/EC. Please inform yourself about the local separate collection system for electrical and electronic products. Please act according to your local rules and do not dispose of your old products with your normal household waste. Correct disposal of your old product helps to prevent potential negative consequences for the environment and human health.



Your product contains batteries covered by the European Directive 2006/66/EC, which cannot be disposed with normal household waste. Please inform yourself about the local rules on separate collection of batteries because correct disposal helps to prevent negative consequences for the environmental and human health.

Environmental information

All unnecessary packaging has been omitted. We have tried to make the packaging easy to separate into three materials: cardboard (box), polystyrene foam (buffer) and polyethylene (bags, protective foam sheet). Your system consists of material which can be recycled and reused if disassembled by a specialized company. Please observe the local regulations regarding the disposal of packaging materials, exhausted batteries and old equipment.

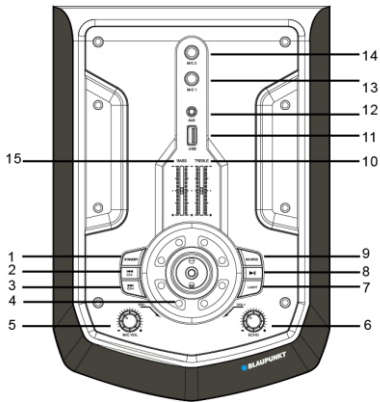
Recording and playback of material might require consent. See Copyright Act 1956 and The Performer's Protection Acts 1958 to 1972.



The Bluetooth® word mark and logos are registered trademarks owned by Bluetooth SIG, Inc. and any use of such marks by us is under license. Other trademarks and trade names are those of their respective owners.

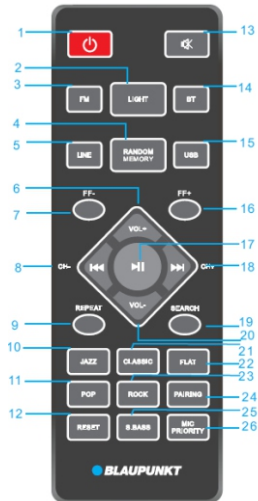
Many thanks to purchase our model, please read and reference this manual carefully before operate the unit. Please keep the manual for future operation reference.

Control locations



- 1- Standby (Power on/off) ;
- 2,3- Previous & Next/Channel & Channel +;
- 4- Volume control;
- 5- Microphone volume control knob;
- 6- Microphone echo control knob;
- 7- Disco light
- 8- Play/pause;
- 9- Source;
- 10,15- Treble & bass adjustment;
- 11-USB port;
- 12-AUX IN jack;
- 13,14-Microphone 1 & 2 input;

Remote control



- 1- Power button;
- 2- Disco light button;
- 3,5,14,15- FM/LINE IN/Bluetooth/USB button;
- 4-Random on/off & memory button;
- 6,20-Volume +/- button;
- 7,16- FF-/+ button;
- 8,18-Previous & next, Channel -/+ button;
- 9-Repeat button (repeat one/repeat all/off);
- 10,11,21,22,23- EQ(Jazz/POP/Classic/Flat/Rock)
- 12-Reset button;
- 13-Mute button;
- 17-Play/pause button;
- 19- Search button;
- 24- Pairing button;
- 25- Super bass button;
- 26- Microphone priority button;

Power connection

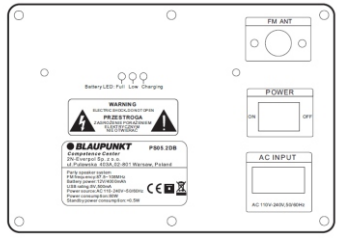
Please check if the power source is correspond to the rating voltage spec which locates on the rear panel of unit. If it does not match, please consult to your dealer or service center.

Insert the female terminal of power cord into the AC outlet, and then connect the power plug with the wall-mount socket in order to get the power source. Press the on/off switch to power on the unit from rear panel, Press the standby power button on the top panel or remote control to turn on the display screen which means the power connection is succeed now, and you can start the rest operation.

Battery power and charging: The unit built-in rechargeable battery(12V/4000mAh) which can playback music without AC power connection. The unit will be charged once the AC power connection is available; The red color LED will light on during charging on rear panel, and light on the blue color LED after fully charged; please arrange recharging when the yellow LED light on due to lower battery power. The unit will off automatically in case of the battery power exhausted.

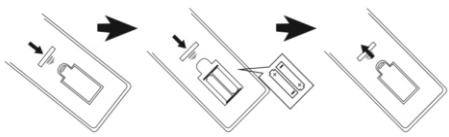
23-hour battery playtime obtained with the following settings:

Source: Bluetooth Volume level: 10 Lighting: Off Equalizer Mode: Flat,
 Bass & Treble Settings: 0 Super Bass: Middle level.



Remote control battery installation

Open up the battery door and insert 2 x AAA battery(included) into the compartment; please make sure the polarity of battery will aim and correspond to the positive and negative engraved symbol in the compartment. Then close the battery door.



Notes:

- a. The best working distance of remote control is within 7 meters without any obstacle in between. Please aim to the remote control sensor locates on the left corner of display during operation.
- b. The sensitivity of remote control will become weak when the battery power exhausted. Please replace it with fresh one for operation.
- c. Please take out the battery in case of none-operation in a long time.
- d. Please dispose the battery in an environment friendly way. Please reference the local government requirement for the detail.

General operation

- 1. Power on/off:** press the standby button on top panel, or press power button from remote control to turn on or off the unit; remove the power plug can turn off the power completely.
- 2. Play source selection:** Press the source button on the top panel, or press FM, BT, LINE, USB button from remote control can switch the play source between FM/Bluetooth/Line in/USB.
- 3. Volume adjustment:** Turn the main volume knob on the top panel, or press VOL+/- button from remote control can increase or decrease the output volume level.
- 4. Treble & bass adjustment:** push up or down the treble/bass pin on the top panel can adjust the output sound level.
- 5. Sound silence:** press the MUTE from remote control can make the sound in silence; press it again to resume the sound output.
- 6. Preset EQ:** press the relative button from remote control can switch the EQ between Jazz/Classic/Flat/POP/ROCK/Super bass.
- 7. Play/pause:** press the button to pause the music, and press it again to resume the playback in Bluetooth/USB mode.
- 8. Repeat & Random:** press the button to switch the music playback in repeat one/repeat all/off mode; press random button for random on/off playback in USB mode.
- 9. Disco light:** press the light button repeatedly can switch the disco light between 8 type effect, and turn off light.
- 10. Reset:** press the reset button from remote control to set up the unit in factory default mode.

FM radio operation

Before start the FM radio listening, please try to move the unit next to the window or other location in order to better FM reception. Then plug on the supplied external antenna to the FM antenna socket on the rear panel in order to get the radio reception.

- 1. Auto scan and preset radio station (All-in-one):** short press the play/pause button on top panel, or press the search button from remote control to auto scan and save the available radio station. The unit will auto play the first preset station after finished scanning. (max supported preset station:40)
- 2. Preset station picking up:** in radio mode, press the next/previous button on top panel or remote control to pick up and play the last and next preset station.
- 3. Station memory:** press and hold next/previous button few seconds to auto scan or short press the FF+/- button from remote control to tune your favorite station, then press the memory button to start the station memory manual save program, and press channel +/- button from remote control to select your desire preset station location, press the memory button again to confirm and finish the program.

USB playback operation

The product includes USB playback function which can decode and playback the music from a USB storage device. Before start the operation, please copy the MP3 format music into the device; and insert the device into the unit first, because the USB mode is only available when the device was plugged on unit successfully. Then the unit will detect and play the inside MP3 music automatically.

Track selection: short press the next/previous button to select next and previous track; press and hold the button for fast-forwarding and rewinding the playing music, and resume to normal playback after release the button.

In USB mode, you can achieve the play/pause, mute, repeat, EQ, treble/bass function etc. Please reference the operation from the general operation part on this manual.

Notes:

- Connect the USB stick by a USB extension cable for playback is not recommended which may produce noise or intermittent phone, tablet etc.
- Decode and playback all MP3 format music is not guaranteed.
- The max supported storage device is 32GB.
- Some different device and brand may take a little long time to playback; please kindly note this is not mal-function.

Bluetooth operation

This product includes Bluetooth function which can wireless playback the music from other Bluetooth device (like smart phone, tablet etc).

- Press the source button repeatedly to enter Bluetooth mode, and the display with "BLUE" text will flare which means the unit is ready to pair.
- Enable the Bluetooth function on your device, and search the available device (please reference your device manual for operation), then check the available Bluetooth device on the list. Select "BP PS05.2DB" for pairing, and the display with "BLUE" text will become stable after paired successfully.
- Select and play the music from your Bluetooth device, then the sound will come out from the speaker
- Press the previous/next button can select last and next track during playing.
- In Bluetooth mode, you can achieve play/pause, mute, EQ, treble and bass adjustment etc. function. Please reference the operation from the general operation part on this manual.

Notices:

- All Bluetooth devices are not guaranteed for pairing successfully due to different design and brand.
- The best working distance of Bluetooth is within 10 meters without any obstacle in between.
- The unit only can pair and work with one Bluetooth device in one time.
- In case of an incoming phone call during Bluetooth playback; the music will stop temporary, and resume to playback after end the phone call.
- Press the pairing button from remote control can quit the current Bluetooth device connect and start pair with other device.

Line in/AUX IN/MP3 link operation

In order to wire connection and playback the music with other player or amplifier, please follow up below operation.

Using the audio cable connect the AUX IN jack on the top panel of unit, and the another terminal connect with line-out or headphone jack of outsourcing player like MP3, CD,DVD, Mixer etc. audio device. Select the music and play it on the outsourcing player, then the sound will output from the speaker.

In line-in playback mode, the main control is on the outsourcing player side. But you also can control the volume, mute the sound and adjust treble & bass etc. on the speaker side.

Karaoke

The unit include 1 x wireless microphone and 2 x wired microphone input function which allow you to sing a song at home or music party. Open up the battery compartment of wireless microphone(included), insert 2pcs x AA battery (not include) according to the +/- polarity symbol, then close and turn on the microphone. The unit will pair with the microphone automatically. Adjust the microphone output level properly by turn the microphone volume control knob on the top panel. Then you can start to sing.

Plug on the wired microphone(not include) into the 6.3mm jack , turn on the microphone, then you can start to sing.

Tips:

- When you are using the microphone for Karaoke function, you can adjust the treble/ bass/echo setting by turn the relative knobs.
- There may have a big noise come out from speaker when you adjust volume/treble/bass/echo to high level due to overloading and distortion on microphone. This is not mal-function. So please turn and increase these settings slowly, and turn it back or turn off microphone for retrying in case of such big noise faced.
- There have microphone priority function in our model. If you select it from remote control, the karaoke voice will output from speaker in priority (without background music); and resume to background music output automatically after you singing finished.
- You can use the karaoke function and listen the music at same time; in case that you need increase the Karaoke volume and decrease the background music, you can try to adjust the separate microphone volume and main volume knob.
- Please turn off the microphone when you put it next to speaker, otherwise there will cause huge noise.

Trouble shooting

1. The speaker cannot turn on.
 - a. Please check if the power connection is correct.

2. No sound output.
 - a. Please try to adjust the volume knob, and check the play source.
 - b. please contact service center for support if the issue remained.

3. Sound distortion.
 - a. Please try to adjust and play the music at a lower volume level.
 - b. Check the status of treble/bass setting.

4. Background noise on FM station.
 - a. try to move the unit in other place for better reception.
 - b. scan and switch to other station for listening.

Specification

Power source: AC 110-240V, 50/60 Hz.

FM frequency: 87.5-108.0 MHz.

USB rating: 5V, 500mA, 2.0 versions, supported up to 32GB storage device.

Bluetooth: V2.1+EDR, within 10 meters for operation.

RMS output power: 2 x 30W.

Treble & bass adjustment: -9dB~+9dB.

Microphone: 2 x 6.3mm input, wired microphone connection; 1 x wireless microphone support.

Rechargeable battery spec: 12V/4000mAh; charging time: 3~4 hours; playback time: 2~3 hours.

Power consumption: 80W

Standby power consumption: <0.5W.

(The above spec may update without priority notice.)

Ważne instrukcje dotyczące bezpieczeństwa



PRZESTROGA



ZAGROŻENIE PORAZENIEM ELEKTRYCZNYM
NIE OTWIERAĆ

Przeostroga:

Aby zmniejszyć ryzyko porażenia prądem, nie wolno demontować pokrywy ani tylnej części urządzenia. Wewnątrz urządzenia nie znajdują się elementy przeznaczone do samodzielnej naprawy przez użytkownika. Konserwacją i naprawą sprzętu zajmują się wyłącznie wykwalifikowani pracownicy serwisu.

Objaśnienie symboli graficznych:



Symbol błyskawicy zakończony strzałką umieszczonej w trójkącie równobocznym ostrzega użytkownika przed nieizolowanym „niebezpiecznym napięciem” w obrębie obudowy urządzenia, które może osiągnąć wielkość grożącą porażeniem prądem elektrycznym.



Znak wykrzyknika w trójkącie równobocznym ostrzega użytkownika, że w tym momencie przedstawione są ważne informacje dotyczące obsługi i konserwacji sprzętu w dokumentacji, dołączonej do urządzenia.

Prosimy o przeczytanie tej instrukcji przed przystąpieniem do obsługi urządzenia, aby zapoznać się z jego funkcjami i wykorzystać je zgodnie z przeznaczeniem. Zapewni to długotrwałą, bezawaryjną obsługę urządzenia i przyjemność z użytkowania.

Ważne informacje

- Należy zachować instrukcję obsługi oraz informacje dotyczące bezpieczeństwa w celu wykorzystania ich w przyszłości.
- Nie należy dopuszczać do tego, aby na urządzenie kapala lub wylewała się ciecz. Nie wolno też używać go w wilgotnych miejscach, jak np. łazienka.
- Nie wolno instalować tego urządzenia w następujących miejscach:
 - Wystawionych na bezpośrednie działanie promieni słonecznych lub w pobliżu grzejników.
 - Kłaść go na wierzchu innego sprzętu stereofonicznego który wydziela ciepło.
 - Blokując wentylację lub w zapyłonym miejscu.
 - W miejscach narażonych na ciągłe drgania.
 - W miejscach o wysokiej wilgotności.
- Nie wolno stawiać urządzenia w pobliżu świec lub otwartego ognia.
- Urządzenia można używać wyłącznie w sposób opisany w niniejszej instrukcji.
- Przed pierwszym włączeniem zasilania należy upewnić się, że zasilacz został prawidłowo podłączony.
- Pamięć USB podłącza się bezpośrednio lub przy użyciu przedłużacza USB o długości do 25 cm

Ze względów bezpieczeństwa nie należy demontować obudów ani uzyskiwać dostępu do wnętrza urządzenia. Urządzenie powinno być naprawiane przez wykwalifikowany personel serwisu.

Nie wolno rozkręcać urządzenia ani otwierać jego obudowy, gdyż wewnątrz nie ma żadnych części, które mogłyby być naprawiane przez użytkownika. Konserwacją i naprawą sprzętu zajmują się wyłącznie wykwalifikowani pracownicy serwisu.

INSTRUKCJE DOTYCZĄCE BEZPIECZEŃSTWA

- Przeczytać instrukcję — przed korzystaniem z urządzenia należy przeczytać całość instrukcji obsługi oraz informacje o bezpieczeństwie.
- Zachować instrukcje — należy zachować instrukcje użytkowania i obsługi w celu wykorzystania ich w przyszłości.
- Przestrzegać ostrzeżeń — należy postępować zgodnie z wszystkimi ostrzeżeniami zamieszczonymi na urządzeniu oraz zgodnie z instrukcją obsługi.
- Przestrzegać instrukcji — należy postępować zgodnie z instrukcją obsługi oraz wskazówkami dla użytkownika.
- Instalacja — należy ustawić urządzenie zgodnie z instrukcjami producenta.
- Źródła zasilania – urządzenie powinno być zasilane wyłącznie ze źródeł o parametrach podanych na oznaczeniach na kablu zasilania. Jeżeli użytkownik nie jest pewien, jakiego rodzaju zasilaniem dysponuje w domu, powinien skontaktować się ze sprzedawcą urządzenia lub lokalnym dostawcą energii elektrycznej.
- Uziemienie lub polaryzacja zasilania — urządzenie nie musi być uziemione. Należy upewnić się, że wtyczka jest do końca włożona do gniazdka sieciowego lub przedłużacza, aby nie dopuścić do odslonięcia bolców lub styków. Niektóre wersje urządzenia mogą być wyposażone w spolaryzowaną wtyczkę prądu przemiennego (z jednym bolcem szerszym). Tę wtyczkę można włożyć do gniazdka sieciowego tylko w jeden sposób. Jest to funkcja zabezpieczająca. Jeśli nie można włożyć wtyczki do gniazdka, należy spróbować ją odwrócić. Jeśli wtyczka nadal nie pasuje do gniazdka, należy zlecić elektrykowi jego wymianę. Nie wolno zdejmować z zabezpieczeń z wtyczki spolaryzowanej. Gdy korzysta się z przedłużacza lub kabla zasilania innego niż dostarczony razem z urządzeniem, powinny mieć właściwe wtyczki oraz atest bezpieczeństwa wymagany w danym kraju.
- Zabezpieczenie kabla zasilania — kable zasilania należy poprowadzić w taki sposób, aby nie można było po nich chodzić, przyciskając lub przyciągając postawionymi przedmiotami. Zwrócić szczególną uwagę na wtyczki, gniazdka sieciowe i miejsca, w którym kable są wyprowadzone z urządzenia.
- Przeciążenie — nie wolno przeciążać gniazdek ściennych, przedłużaczy i rozdzielaczy elektrycznych, ponieważ grozi to wybuchem pożaru lub porażeniem prądem elektrycznym.
- Wentylacja — urządzenie musi być poprawnie wentylowane. Nie wolno ustawiać urządzenia na łóżku, sofie lub podobnych powierzchniach. Nie wolno przykrywać urządzenia obrusami, serwetkami, gazetami itd.

11. Ciepło — nie ustawiać urządzenia w pobliżu źródeł ciepła, takich jak grzejniki, promienniki, piece lub innych urządzeń (również wzmacniacze) wytwarzających ciepło. Nie stawiać na urządzeniu zapalonych świecy i innych źródeł otwartego ognia.
12. Woda i wilgoć — aby zmniejszyć zagrożenie pożarem lub porażeniem elektrycznym, nie wolno narażać urządzenia na bezpośrednie działanie deszczu, wody i wilgoci, jak np. w saunie czy w łazience. Nie używać niniejszego urządzenia w pobliżu wody, na przykład obok wanny, umywalki, zlewu kuchennego lub balii, w wilgotnej piwnicy lub w pobliżu basenu (lub w podobnych miejscach).
13. Przedmioty i cieczy w urządzeniu — nie należy wciskać jakichkolwiek przedmiotów przez otwory urządzenia, ponieważ mogą one zetknąć się z punktami niebezpiecznego napięcia i podnieść pożar lub porażenie prądem. Pod żadnym pozorem nie należy rozlewać jakichkolwiek cieczy na powierzchni urządzenia. Nie wolno kłaść na wierzchu urządzenia przedmiotów zawierających cieczy.
14. Czyszczenie — należy zawsze odłączyć urządzenie od gniazdka sieciowego przed czyszczeniem. Kurz dookoła głośnika można usunąć suchą szmatką. Jeśli do czyszczenia ma być użyty aerosol, nie należy kierować rozpylanego strumienia bezpośrednio na urządzenie, ale na szmatkę. Należy uważać, aby nie uszkodzić jednostek napędowych.
15. Wyposażenie dodatkowe — nie wolno używać akcesoriów, które nie są dopuszczone przez producenta, gdyż mogą stwarzać zagrożenie.
16. Akcesoria — nie wolno ustawiać urządzenia na niestabilnym wózku, stojaku, statywie, wsporniku czy stole. Urządzenie może ulec przewróceniu i uszkodzeniu oraz spowodować poważne obrażenia u dziecka lub osoby dorosłej. Należy używać wyłącznie wózków, stojaków, statywów, wsporników i stołów określonych przez producenta albo sprzedawanych wraz z urządzeniem. Montaż urządzenia należy przeprowadzać zgodnie z instrukcjami producenta, przy użyciu zestawu montażowego zalecanego przez producenta.
17. Przenoszenie urządzenia — urządzenie umieszczone na wózku należy przesuwać bardzo ostrożnie. Gwałtowne zatrzymanie, zbyt duża siła lub nierówne powierzchnie mogą spowodować przewrócenie wózka wraz z urządzeniem.
18. Okres nieużywania urządzenia — kabel zasilania urządzenia należy odłączyć od gniazdka sieciowego w trakcie burz z wyładowaniami atmosferycznymi lub gdy urządzenie nie będzie używane przez dłuższy czas.
19. Serwisowanie — nie należy próbować własnoręcznie przeglądnąć urządzenia. Otwieranie pokrywy może spowodować kontakt z niebezpiecznym napięciem i narazić użytkownika na inne niebezpieczeństwa. Konserwacją i naprawą sprzętu zajmują się wyłącznie wykwalifikowani pracownicy serwisu.
20. Gdy urządzenie nie jest używane, należy odłączyć jego wtyczkę zasilania od gniazdka sieciowego. Gdy urządzenie jest podłączone do źródła zasilania, znajduje się w trybie czuwania i nie jest całkowicie wyłączone.
21. Części zamienne — przy wymianie części należy sprawdzić, czy pracownik serwisu użył części zamiennych zalecanych przez producenta lub też czy części są identyczne jak część oryginalna. Dokonywanie wymiany na niezatwierdzone części grozi wybuchem pożaru, porażeniem prądem elektrycznym lub innymi niebezpieczeństwami.
22. Główne bezpieczniki — aby zabezpieczyć w sposób ciągły urządzenie przed pożarem, należy używać bezpieczników właściwego typu i parametrów. Parametry bezpieczników w danym zakresie napięcia są zaznaczone na urządzeniu.
23. Nie wolno zwiększać głośności przy słuchaniu części utworu o małej głośności lub przy braku wejściowego sygnału audio. W innym wypadku może dojść do uszkodzenia głośnika przy gwałtownym wzroście natężenia sygnału.
24. Jedynym sposobem całkowitego odłączenia urządzenia od źródła zasilania jest odłączenie kabla zasilania z gniazdka zasilania lub z urządzenia. Gniazdko sieciowe lub wejście kabla zasilania do urządzenia muszą być zawsze dostępne w trakcie używania produktu.
25. Urządzenie powinno się ustawić w pobliżu gniazdka sieciowego lub przedłużacza i w taki sposób, aby zawsze było dostępne.
26. Maksymalna temperatura otoczenia urządzenia wynosi 35°C.
27. Wskazówki dotyczące wyładowań elektrostatycznych — jeśli działanie urządzenia jest zakłócone wyładowaniami elektrostatycznymi, należy go wyłączyć i ponownie włączyć lub przenieść urządzenie w inne miejsce.
28. Bateria
 - a. Bateria nie mogą być narażone na działanie nadmiernego ciepła, jak np. promieni słonecznych, ognia itp.
 - b. Podczas utylizacji baterii należy zwrócić uwagę na aspekty ochrony środowiska.
 - c. Przestroga dotycząca używania baterii: aby nie dopuścić do rozszczelnienia baterii, które może spowodować obrażenia ciała bądź uszkodzenie urządzenia:
 - Podczas wkładania baterii zwrócić uwagę na jej polaryzację (+ i -).
 - Nie wolno jednocześnie używać różnych baterii — starych i nowych baterii standardowych i alkalicznych itd.
 - Należy wyjąć baterie z urządzenia, gdy nie będą one używane przez dłuższy czas.

Uwaga dotycząca ERP2 (urządzeń związanych z energią)

Niniejsze urządzenie z ekoprojektem spełnia wymagania etapu 2 Rozporządzenia Komisji (WE) nr 1275/2008 wprowadzającego dyrektywę 2009/125/WE dotyczącą poboru energii przez wyłączone i znajdujące się w trybie czuwania urządzenia elektroniczne do zastosowań biurowych i domowych.

Po upływności 30 minut bez wejściowego sygnału audio urządzenie automatycznie przejdzie w tryb czuwania. Informacje na temat przywrócenia normalnego działania można znaleźć w instrukcji obsługi.

Ważne informacje:

Niniejsze urządzenie jest wyposażone w funkcję trybu oszczędzania energii: jeśli w ciągu 30 minut nie jest podawany do niego żaden sygnał wejściowy, urządzenie automatycznie przejdzie w tryb czuwania w celu oszczędzania energii (norma ERP 2). Należy zauważyć, że ustawienie niskiego poziomu głośności w źródle sygnału audio może zostać rozpoznane jako stan „braku sygnału audio”: może to mieć wpływ na zdolność wykrywania sygnału z urządzenia oraz spowodować automatycznie przejście w tryb czuwania. W takim wypadku należy przywrócić transmisję sygnału audio lub zwiększyć poziom głośności w źródle sygnału audio (odtwarzaczu MP3 itp.) w celu wznowienia odtwarzania. Jeśli problem nie ustąpi, prosimy o kontakt z lokalnym serwisem.

OSTRZEŻENIE

Urządzenie nie powinno być używane przez osoby (w tym dzieci) o obniżonej sprawności fizycznej, sensorycznej lub umysłowej oraz osoby z niewystarczającą wiedzą i doświadczeniem, jeśli nie znajdują się one pod nadzorem osoby odpowiedzialnej za ich bezpieczeństwo i nie zostały poinstruowane jak bezpiecznie używać urządzenia. Obecność osób dorosłych jest wymagana, jeśli urządzenie obsługują dzieci; pozwoli to zapewnić bezpieczne korzystanie z urządzenia.

1. Nie wolno pozostawić pracującego urządzenia bez nadzoru! Należy wyłączyć urządzenie, gdy nie jest ono używane, nawet przez krótką chwilę.
2. Urządzenia nie wolno obsługiwać za pośrednictwem zewnętrznego zegara z układem czasowym ani za pomocą oddzielnego układu ze zdalnym sterowaniem.
3. Aby uniknąć zagrożenia w przypadku uszkodzenia przewodu zasilania, wymianę powinien wykonać producent, autoryzowany punkt serwisowy lub inna osoba posiadająca odpowiednie kwalifikacje.
4. Przed przystąpieniem do obsługi urządzenia należy sprawdzić, czy jego napięcie odpowiada napięciu występującemu w lokalnej sieci zasilającej.
5. Nie wolno zakrywać otworów wentylacyjnych urządzenia np. gazetami, obrusem, zasłonami itp. Należy upewnić się, że nad urządzeniem jest co najmniej 20 cm wolnego miejsca, a z każdej jego strony — co najmniej 5 cm.
6. Nie należy dopuszczać do tego, aby na urządzenie kapąła lub wylewała się ciecz, ani nie należy stawiać na nim przedmiotów wypełnionych cieczami, takich jak wazy.
7. Aby uniknąć pożaru lub porażenia prądem elektrycznym, należy chronić urządzenie przed gorącymi miejscami, działaniami deszczu, wilgoci i pyłu.
8. Nie wolno ustawiać urządzenia w pobliżu jakichkolwiek źródeł wody, np. kranów, wanien, pralek lub basenów pływackich. Urządzenie należy ustawić na równym i stabilnym podłożu.
9. Nie wolno narażać urządzenia na silne pole magnetyczne.
10. Nie wolno stawiać urządzenia bezpośrednio na wzmacniaczu lub amplitunerze.
11. Nie wolno stawiać urządzenia w wilgotnym miejscu, gdyż wilgoć ma szkodliwy wpływ na podzespoły elektryczne.
12. Po wniesieniu urządzenia z zimnego do ciepłego miejsca lub do wilgotnego miejsca może dojść do kondensacji wilgoci na soczewce wewnątrz odtwarzacza. W takiej sytuacji urządzenie nie będzie działać prawidłowo. Należy pozostawić włączone urządzenie na około jedną godzinę, aby umożliwić odparowanie wilgoci.
13. Nie wolno czyścić urządzenia rozpuszczalnikami chemicznymi, gdyż mogą one zniszczyć lakier obudowy. Urządzenie wyciera się czystą, suchą lub nieznacznie zwilżoną ściereczką.
14. Podczas wyciągania wtyczki z gniazdka ściennego należy zawsze ciągnąć za wtyczkę, nigdy za kabel zasilania.
15. Gdy włączone urządzenie jest używane w pobliżu włączonego telewizora, może to być źródłem zakłóceń obrazu w postaci linii na ekranie. Zależy to od pasma fal transmisji TV. Nie oznacza to nieprawidłowego działania urządzenia ani telewizora. Jeśli są widoczne takie linie, należy odsunąć urządzenie od telewizora.
16. Wtyczka sieciowa jest używana do odłączania napięcia zasilającego i powinna być zawsze dostępna.
17. Aby nie dopuścić do ewentualnej utraty słuchu, nie wolno słuchać głośno muzyki przez dłuższy czas.



UWAGA
 Deklaracja


Niniejszym Blaupunkt Competence Center 2N-Everpol Sp. z o.o. oświadcza, że to urządzenie jest zgodne z wymogami i innymi odpowiednimi postanowieniami dyrektywy 2014/53 / UE. Pełną deklarację zgodności można uzyskać na stronie www.blaupunkt.com w zakładce produktu.

Podmiot odpowiedzialny: 2N-Everpol Sp. z o.o., Puławska 403A, 02-801 Warszawa, Polska, Telefon: +48 22 688 08 00, e-mail: info@everpol.pl



Produkt został wyprodukowany z wysokiej jakości materiałów i podzespołów, które można poddać recyklingowi i ponownie użyć.



Jeśli na urządzeniu znajduje się znak przekreślonego kosza na śmieci, oznacza to, że produkt jest objęty postanowieniami dyrektywy europejskiej 2012/19/WE. Należy zapoznać się z wymaganiami dotyczącymi lokalnego systemu zbiórki odpadów elektrycznych i elektronicznych. Należy postępować zgodnie z lokalnymi przepisami. Nie wolno wyrzucać tego produktu razem ze zwykłymi odpadami domowymi. Prawidłowe usunięcie starego produktu zapobiegnie potencjalnym negatywnym skutkom dla środowiska naturalnego i zdrowia ludzkiego.



Urządzenie jest wyposażone w baterie objęte dyrektywą europejską 2006/66/WE. Baterii nie wolno wyrzucać razem z odpadami gospodarstwa domowego. Należy zapoznać się z lokalnymi przepisami dotyczącymi oddzielnej zbiórki baterii, ponieważ prawidłowa utylizacja zapobiegnie potencjalnym negatywnym skutkom dla środowiska naturalnego i zdrowia ludzkiego.

Informacje o ochronie środowiska naturalnego

Opakowanie zawiera tylko niezbędne elementy. Dołożono wszelkich starań, aby trzy materiały składowe opakowania były łatwe do oddzielenia: karton (pudełko), pianka polistyrenowa (zabezpieczenia wewnątrz) i polietylen (torebki, arkusz ochronny). Urządzenie wyprodukowano z materiałów, które można poddać recyklingowi i użyć ponownie po ich demontażu przez wyspecjalizowaną firmę. Należy przestrzegać lokalnych przepisów dotyczących utylizacji materiałów opakowaniowych, zużytych baterii i niepotrzebnych urządzeń.

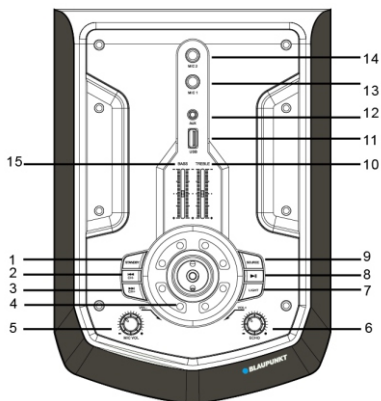
Nagrywanie i odtwarzanie materiałów może wymagać uzyskania zgody. Patrz ustawa o prawach autorskich i prawach wykonawców/artystów.



Właścicielem znaków towarowych i logo Bluetooth® jest firma Bluetooth SIG, Inc. USA. Użycie tych znaków i logo podlega licencji. Inne znaki i nazwy handlowe należą do odpowiednich właścicieli.

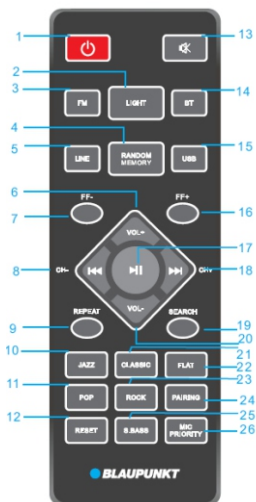
Diękujemy za zakup naszego urządzenia. Przed przystąpieniem do obsługi należy dokładnie przeczytać i zapoznać się z niniejszą instrukcją. Prosimy zachować instrukcję w celu późniejszego wykorzystania.

Panel sterowania



- 1 – Przycisk trybu czuwania (włączanie / wyłączenie);
- 2,3- Poprzedni / następny / kanał - / kanał +;
- 4- Sterowanie głośnością;
- 5- Pokrętko regulacji głośności mikrofonu;
- 6- Pokrętko regulacji echa mikrofonu;
- 7- Oświetlenie disco
- 8- Odtwarzanie / pauza;
- 9-Źródło;
- 10,15- Regulacja tonów niskich i wysokich;
- 11- Port USB;
- 12- Gniazdo AUX IN;
- 13,14-Wejście mikrofonowe 1 i 2;

Pilot zdalnego sterowania



- 1 - Przycisk zasilania;
- 2- Przycisk włączania/wyłączania oświetlenia disco;
- 3,5,14,15- Przycisk FM / LINE IN / Bluetooth / USB;
- 4-Przycisk wł./wył. odtwarzania losowego /przycisk zapamiętywania;
- 6,20- Głośność +/-;
- 7,16- Przycisk szybkiego przewijania FF - / +;
- 8,18-Poprzedni i następny, przycisk kanał - / +;
- 9- Przycisk powtarzania (powtarzaj jeden utwór / powtórz wszystko / wyłącz);
- 10,11,21,22,23- Tryby korektora EQ (jazz / pop / klasyczny / płaski / rockowy)
- 12- Przycisk reset;
- 13- Przycisk wyciszenia;
- 17- Odtwarzanie / pauza;
- 19- Przycisk wyszukiwania;
- 24- Przycisk parowania;
- 25 - Przycisk Super Bass;
- 26- Przycisk priorytetu mikrofonu;

Podłączenie zasilania

Proszę sprawdzić, czy źródło zasilania odpowiada specyfikacji napięcia znamionowego, która znajduje się na tylnym panelu urządzenia. Jeśli się nie zgadza, należy skontaktować się ze sprzedawcą lub centrum serwisowym.

Włóż żeńską wtyczkę kabla zasilającego do gniazdka w urządzeniu, a następnie podłącz wtyczkę kabla zasilającego do gniazda ściennego w celu uzyskania źródła zasilania. Włącz urządzenie za pomocą włącznika zlokalizowanego na tylnym panelu.

Naciśnij przycisk zasilania na górnym panelu lub pilocie zdalnego sterowania, aby włączyć ekran wyświetlacza, co oznacza, że połączenie zasilania zostało zakończone pomyślnie i można rozpocząć dalszą obsługę.

Zasilanie z baterii i ładowanie: Urządzenie posiada wbudowany akumulator (12 V / 4000 mAh), który umożliwi odtwarzanie muzyki bez podłączenia zasilania prądem przemiennym. Akumulator zostanie naładowany, gdy będzie dostępne zasilanie prądem przemiennym; zlokalizowana na tylnym panelu czerwona dioda LED będzie się świecić podczas ładowania i zapali się na niebiesko, gdy akumulator zostanie w pełni naładowany; gdy z powodu niskiego poziomu naładowania akumulatora dioda LED zaświeci się na żółto należy podłączyć urządzenie do ładowania. Głośnik wyłączy się automatycznie w przypadku wyczerpania się akumulatora.

Podany czas odtwarzania 23 h na zasileniu bateryjnym został uzyskany przy następujących ustawieniach:

Źródło odtwarzania: Bluetooth

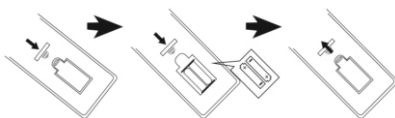
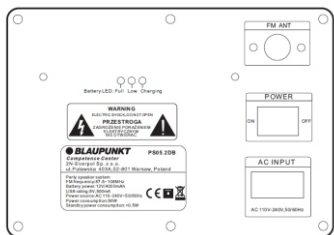
Poziom głośności: 10

Oświetlenie: wyłączone

Tryb equalizera: Flat

Ustawienia bass&treble: 0

Super Bass: Poziom środkowy



Instalacja baterii pilota zdalnego sterowania

Otwórz drzwiczki komory baterii i włóż 2 baterie AAA (w zestawie); upewnij się, że polaryzacja baterii będzie odpowiadać dodatniemu i ujemnemu symbolowi wygrawerowanemu w komorze. Następnie zamknij drzwiczki komory baterii.

Uwagi:

- Odległość robocza pilota wynosi 7 metrów bez przeszkód pomiędzy pilotem a jednostką główną. Podczas pracy pilota należy kierować w czujnik znajdujący się w lewym rogu wyświetlacza.
- Czułość pilota zdalnego sterowania będzie słabła wraz z wyładowywaniem się baterii. Wymień ją na nową, aby pilot działał poprawnie.
- Proszę wyjąć baterię na wypadek braku używania pilota przez długi czas.
- Baterię należy zutylizować w sposób przyjazny dla środowiska. Proszę zapoznać się z wymaganiami władz lokalnych dotyczącymi utylizacji.

Obsługa ogólna

- Włączanie / wyłączenie:** naciśnij przycisk trybu czuwania na panelu górnym lub przycisk zasilania na pilocie, aby włączyć lub wyłączyć urządzenie; Wyjmij wtyczkę z gniazdka sieciowego, aby wyłączyć zasilanie.
- Wybór źródła odtwarzania:** Naciśnij przycisk wyboru źródła na panelu górnym lub naciśnij przycisk FM, BT, LINE, USB na pilocie, aby przełączać źródło odtwarzania między FM / Bluetooth / Line in / USB.
- Regulacja głośności:** Obróć pokrętkę sterowania głośnością na górnym panelu lub naciśnij przycisk VOL +/- na pilocie, aby zwiększyć lub zmniejszyć poziom głośności.
- Regulacja tonów wysokich i niskich:** Przesuń w górę lub w dół suwak regulacji basów/sopranów aby wyregulować barwę dźwięku wyjściowego.
- Wyciszenie dźwięku:** wciśnięcie przycisku MUTE na pilocie zdalnego sterowania powoduje wyciszenie dźwięku; Ponowne naciśnięcie tego przycisku przywraca dźwięk do ustawionego wcześniej poziomu.
- Ustawienia korektora:** wciśnięcie odpowiedniego przycisku na pilocie zdalnego sterowania umożliwia zmianę trybu korektora pomiędzy Jazz / Classic / Flat / POP / ROCK / Super Bass.
- Odtwarzanie / wstrzymywanie:** naciśnij przycisk odtwarzanie/pauza, aby wstrzymać lub wznowić odtwarzanie muzyki w trybie Bluetooth / USB.
- Powtarzanie i odtwarzanie losowe:** naciśnij przycisk powtarzania, aby włączyć odpowiedni tryb powtarzania muzyki; Naciśnij przycisk odtwarzania losowego, aby włączyć / wyłączyć funkcję odtwarzania losowego w trybie USB.
- Oświetlenie:** kilkakrotnie naciśnij przycisk oświetlenia, aby przełączać tryb oświetlenia pomiędzy ośmioma efektami lub je wyłączyć.
- Reset:** naciśnij przycisk resetowania na pilocie, aby przywrócić urządzenie do ustawień fabrycznych.

Obsługa radia FM

Przed rozpoczęciem słuchania radia FM należy przenieść urządzenie obok okna w celu lepszego odbioru sygnału FM. Następnie podłącz dostarczoną antenę zewnętrzną do gniazda anteny FM na tylnym panelu, aby uzyskać odbiór częstotliwości radiowych.

- Automatyczne skanowanie i programowanie stacji radiowych (tryb automatyczny):** krótkie naciśnięcie przycisku odtwarzania / pauzy na panelu górnym lub naciśnięcie przycisku wyszukiwania na pilocie uruchamia tryb automatycznego skanowania i zapisywania dostępnych stacji radiowych. Po zakończeniu skanowania urządzenie rozpocznie automatyczne odtwarzanie pierwszej zaprogramowanej stacji. (Maksymalna obsługiwana ilość zaprogramowanych stacji: 40)
- Wybór stacji radiowych:** w trybie radia naciśnij przycisk następny / poprzedni na panelu górnym lub pilocie zdalnego sterowania, aby wybrać i odtworzyć poprzednią lub kolejną zaprogramowaną stację.
- Programowanie stacji radiowych (tryb manualny):** naciśnij i przytrzymaj kilka sekund przycisk następny / poprzedni w celu automatycznego skanowania lub krótko naciśnij przycisk FF +/- z pilota zdalnego sterowania, aby dobrać ulubioną stację, a następnie naciśnij przycisk pamięci, aby uruchomić tryb manualnego programowania, następnie naciśnij przycisk kanał +/- z pilota, aby wybrać żądaną lokalizację stacji, naciśnij ponownie przycisk pamięci, aby potwierdzić i zakończyć programowanie.

Odtwarzanie USB

Urządzenie posiada funkcję odtwarzania USB, która może dekodować i odtwarzać muzykę z przenośnych pamięci USB. Przed rozpoczęciem odtwarzania skopiuj muzykę MP3 na przenośną pamięć USB; Włóż pamięć USB do urządzenia, ponieważ tryb odtwarzania USB jest dostępny tylko wtedy, gdy pamięć USB zostanie prawidłowo podłączona. Następnie urządzenie automatycznie wykryje i odtworzy muzykę MP3.

Wybór utworu: krótko naciśnij przycisk poprzedni/następny, aby wybrać poprzedni lub następny utwór; Naciśnij i przytrzymaj przycisk służący do przewijania, aby przewinąć do przodu aktualnie odtwarzany utwór, zwolnij przycisk aby dalej odtwarzać utwór.

W trybie USB dostępne są następujące funkcje: odtwarzanie / pauza, wyciszenie, powtarzanie, korektor dźwięku, regulacja wysokie / niskie tony itp. Szczegóły znajdują się w punkcie „Obsługa ogólna” niniejszej instrukcji.

Uwagi:

- Nie zaleca się podłączania pamięci USB za pomocą przedłużaczy USB, ponieważ może mieć to negatywny wpływ na jakość odtwarzania i powodować hałas lub przerywany dźwięk spowodowany utratą danych audio podczas przesyłania plików.
- Nie można zagwarantować dekodowania i odtwarzania wszystkich utworów w formacie MP3.
- Urządzenie obsługuje pamięci USB o maksymalnej pojemności 32GB
- Automatyczne odtworzenie niektórych pamięci USB, ze względu na typ i producenta, może zająć trochę więcej czasu; Należy pamiętać, że nie jest to usterka.

Działanie Bluetooth

Ten produkt posiada funkcję Bluetooth, która umożliwia bezprzewodowe odtwarzanie muzyki z innego urządzenia Bluetooth (takiego jak smartfon, tablet itp.).

- Naciśnij kilkakrotnie przycisk źródła, aby wejść w tryb Bluetooth, na wyświetlaczu pojawi się tekst "BLUE", co oznacza, że urządzenie jest gotowe do parowania.
- Włącz funkcję Bluetooth w urządzeniu zewnętrznym i wyszukaj dostępne urządzenie (zapoznaj się z instrukcją obsługi urządzenia zewnętrznego), a następnie sprawdź dostępne urządzenie Bluetooth na liście. Wybierz "BP PS05.2DB" do połączenia, wyświetlacz z migającym tekstem "BLUE" stanie się stabilny po pomyślnym sparowaniu.
- Wybierz i odtwórz muzykę z zewnętrznego urządzenia Bluetooth, a następnie dźwięk zostanie odtworzony za pomocą głośnika w niniejszym urządzeniu.
- Naciśnij przycisk poprzedni / następny, aby wybrać ostatni i następny utwór podczas odtwarzania.
- W trybie Bluetooth można uzyskać funkcję odtwarzania / pauzy, wyciszenia, korekcji dźwięku, korekcji tonów wysokich i niskich. Szczegóły znajdują się w punkcie „Obsługa ogólna” niniejszej instrukcji.

Uwagi:

- Nie można zagwarantować poprawnego połączenia się ze wszystkimi urządzeniami Bluetooth ze względu na odmienne projekty i marki.
- Odległość robocza Bluetooth wynosi 10 metrów bez żadnych przeszkód.
- Urządzenie może parować się i pracować z jednym urządzeniem Bluetooth jednocześnie.
- W przypadku połączenia przychodzącego podczas odtwarzania Bluetooth; Muzyka zatrzyma się na chwilę i wznowi odtwarzanie po zakończeniu rozmowy telefonicznej.
- Naciśnij przycisk parowania z pilota, aby zamknąć bieżące połączenie z urządzeniem Bluetooth i rozpocząć parowanie z innym urządzeniem.

Praca w trybie AUX IN

Aby podłączyć i odtwarzać muzykę z innego odtwarzacza lub urządzenia, należy postępować według poniższej instrukcji: Korzystając z kabla audio, należy połączyć gniazdo AUX IN na górnym panelu urządzenia z wyjściem liniowym lub gniazdem słuchawkowym odtwarzacza, takiego jak np. odtwarzacz MP3, CD, DVD, mikser itp. Następnie należy wybrać i odtworzyć muzykę na zewnętrznym odtwarzaczu, a dźwięk zostanie odtworzony za pomocą niniejszego urządzenia.

W trybie AUX-IN główną kontrolę nad odtwarzaniem sprawuje odtwarzacz zewnętrzny. W niniejszym urządzeniu możesz kontrolować głośność, wyciszyć dźwięk i wyregulować poziom basów i sopranów.

Karaoke

Urządzenie zawiera w zestawie 1 mikrofon bezprzewodowy i 2 wejścia dla mikrofonów przewodowych, które pozwalają śpiewać piosenki podczas imprezy muzycznej. Przed użyciem dołączonego mikrofonu bezprzewodowego otwórz komorę baterii, włóż 2 szt. baterii AA (brak w zestawie) zgodnie z symbolem biegunowości +/-, a następnie zamknij komorę i włącz mikrofon. Urządzenie automatycznie sparuje się z mikrofonem. Ustaw odpowiednią głośność mikrofonu, obracając pokrętkę głośności mikrofonu na górnym panelu. Mikrofon jest gotowy do użycia.

Podłącz mikrofon przewodowy (nie załączony w zestawie) do gniazda 6,3mm, włącz mikrofon, a następnie zacznij śpiewać.

Porady:

- Jeśli używasz mikrofonu do obsługi funkcji Karaoke, możesz za pomocą odpowiednich pokręteł wyregulować ustawienie wysokich tonów / basów / echa.
- Głośnik może emitować głośny hałas lub zniekształcenia w momencie, gdy poziom głośności, ustawienia basów i sopranów lub funkcja echa ustawione są na zbyt wysokim poziomie. To nie jest usterka. Należy zmniejszyć poziom powyższych ustawień a następnie włączyć lub wyłączyć mikrofon.
- Nasze urządzenie posiada funkcję priorytetu mikrofonu. Jeśli wybierzesz tę funkcję z pilota, głos karaoke zostanie odtworzony za pomocą głośników i będzie miał priorytet (bez tła muzycznego); po zakończeniu śpiewania odtwarzanie muzyki uruchomi się automatycznie.
- Możesz używać funkcji karaoke i słuchać muzyki w tym samym czasie; W przypadku, gdy potrzebujesz zwiększyć głośność karaoke i zmniejszyć poziom muzyki w tle, możesz osobno wyregulować głośność mikrofonu i poziom głośnika za pomocą odpowiednich pokręteł.
- Należy wyłączyć mikrofon, gdy zostanie umieszczony obok głośnika, w przeciwnym razie spowoduje to duży hałas.

Rozwiązywanie problemów

1. Głośnik nie może się włączyć.
 - a. Sprawdź, czy podłączenie zasilania jest prawidłowe.
2. Brak dźwięku.
 - a. Spróbuj wyregulować pokrętko głośności i sprawdź źródło odtwarzania.
 - b. Skontaktuj się z centrum serwisowym, jeśli problem pozostanie.
3. Zniekształcenia dźwięku.
 - a. Spróbuj dostosować i odtworzyć muzykę z niższym poziomem głośności.
 - b. Sprawdź stan regulacji tonów wysokich / niskich.
4. Szum podczas słuchania stacji FM.
 - a. Przenieś urządzenie w inne miejsce w celu lepszego odbioru.
 - b. Włącz ponowne skanowanie lub zmień stację na inną.

Specyfikacja

Źródło zasilania: AC 110-240V, 50/60 Hz.

Częstotliwość FM: 87,5-108,0 MHz.

Złącze USB: 5V, 500mA, wersja 2.0, obsługiwane pamięci masowe do 32 GB.

Bluetooth: V2.1 + EDR, odległość robocza do 10m

Moc wyjściowa RMS: 2 x 30 W.

Regulacja tonów niskich i wysokich: -9dB ~ +9dB.

Mikrofon: wejście 2 x 6,3 mm, podłączenie mikrofonu przewodowego; 1 x mikrofon bezprzewodowy

Akumulator: 12V / 4000mAh; czas ładowania: 3 ~ 4 godziny; czas odtwarzania: 2 ~ 3 godziny.

Pobór mocy: 80W

Pobór mocy w trybie gotowości: <0,5W.

(Powyższa specyfikacja może ulec zmianie bez uprzedzenia.)

DŮLEŽITÉ BEZPEČNOSTNÍ POKYNY

Upozornění:

Chcete-li snížit riziko úrazu elektrickým proudem, neodstraňujte kryty, neotvírejte zadní část zařízení. Uvnitř nejsou žádné prvky určené pro opravu uživatelem. Údržbou a opravami zařízení se zabývá pouze kvalifikovaný servisní personál.

Vysvětlení grafických symbolů:


Symbol blesku se šipkou umístěn v trojúhelníku upozorňuje uživatele na přítomnost neizolovaného "nebezpečného napětí" v prostoru krytu zařízení, které může dosáhnout velikost hrozcí nebezpečí úrazu elektrickým proudem.



Symbol vykřičníku uvnitř rovnostranného trojúhelníku upozorňuje uživatele, že v této části jsou popsány důležité informace týkající se provozu a údržby zařízení v dokumentaci dodané se zařízením.

Před použitím přístroje si přečtěte tento návod, abyste se seznámili s jeho funkcemi a využili je, jak bylo zamýšleno pro zajištění dlouhé životnosti, bezporuchového provozu zařízení a radosti s používáním.

Důležité informace

- Uschovejte tento návod a bezpečnostní informace pro jejich použití v budoucnu.
- Nedovolte, aby na přístroj kapala nebo se lila tekutina.
- Nepoužívejte ve vlhkých místech, jako např. koupelny.
- Neumísťujte tento přístroj na následujících místech:
- Vystavených přímému slunečnímu záření nebo blízko radiátorů.
- Na jiná stereofonní zařízení, která generují teplo.
- Blokovat větrání nebo umísťovat v prašném prostředí.
- V prostorech vystavených otřesům.
- V prostorech s vysokou vlhkostí.
- Neumísťujte zařízení v blízkosti otevřeného ohně nebo svíčky.
- Zařízení lze použít pouze tak, jak je popsáno v tomto návodu.
- Před prvním zapnutím se ujistěte, že napájení bylo řádně připojeno.
- USB paměť se připojuje přímo nebo přes prodlužovací USB kabel s délkou do 25 cm.

Z bezpečnostních důvodů neodstraňujte kryty a nesaňte se dostat dovnitř zařízení. Přístroj by měl být opravován pouze kvalifikovaným servisním personálem. Nerozebírejte zařízení ani neotevírejte kryt, protože uvnitř nejsou žádné díly, které mohou být opraveny vlastními silami. Údržbou a opravami zařízení se zabývá výhradně kvalifikovaný servisní personál.

BEZPEČNOSTNÍ POKYNY

1. Přečtěte si pokyny - před použitím zařízení si přečtěte celý návod a bezpečnostní informace.
2. Tyto pokyny uschovejte - uschovejte návod k použití pro použití v budoucnu.
3. Dodržujte varování - dodržujte veškerá varování umístěná na zařízení a v souladu s pokyny.
4. Dodržujte pokyny - postupujte podle pokynů a návodu pro uživatele.
5. Instalace - nastavte zařízení podle pokynů výrobce.
6. Napájecí zdroj - tento produkt by měl být napájen pouze ze zdrojů uvedených na označení na napájecím kabelu. Pokud si nejste jisti, jaký typ napájení máte doma, měli byste se obrátit na svého prodejce nebo místního dodavatele elektrické energie.
7. Uzemnění nebo polarizace napájení - zařízení nemusí být uzemněno. Ujistěte se, že je zástrčka zcela zasunuta do zásuvky ve zdi nebo do prodlužovacího kabelu, aby se zabránilo odhalení kolíků a kontaktů. Některé verze zařízení mohou být vybaveny polarizovanou zástrčkou AC (s kolíkem). Tuto zástrčku lze zasunout do síťové zásuvky pouze jedním způsobem. Toto je bezpečnostní funkce. Pokud nelze vložit zástrčku do zásuvky, zkuste ji otočit. Pokud zástrčka stále nepasuje do zásuvky, požádejte elektrikáře, aby ji vyměnil. Neodstraňujte zabezpečení polarizované zástrčky. Pokud používáte prodlužovací kabel nebo kabel jiný než dodávaný s zařízením, měl/a byste mít odpovídající zástrčky a bezpečnostní osvědčení požadované ve vaší zemi.
8. Zajištění napájecího kabelu - napájecí kabely by měly být vedeny tak, aby nikdo po nich nešlapal, nestiskal a aby nedošlo k odřiznutí části zařízení předměty umístěnými vedle. Věnujte zvláštní pozornost zástrčkám, zásuvkám a místům vyznačujícím se tím, že kabely jsou vyvedeny ven ze zařízení.
9. Přetížení - Nepřetěžujte zásuvky ve zdi, prodlužovací šňůry a elektrické rozvaděče, může to mít za následek poruchu nebo úraz elektrickým proudem.
10. Větrání - Přístroj musí být řádně větran. Nepokládejte výrobek na postel, pohovku, nebo podobný povrch. Nezakrývejte zařízení ubrusy, ubrusky, novinami, atd.
11. Teplo - Neumísťujte zařízení blízko zdrojů tepla jako jsou radiátory, kamna nebo jiné přístroje (včetně zesilovačů), které produkují teplo. Nepokládejte na zařízení zapálené svíčky a jiné otevřené zdroje ohně.
12. Voda a vlhkost - aby se snížilo riziko poruchy nebo úrazu elektrickým proudem, nevystavujte přístroj působení deště, vody a vlhkosti, jako například v sauně, nebo v koupelně. Nepoužívejte toto zařízení v blízkosti vody, například u vany, umyvadla, kuchyňského dřezu nebo prádelní vany, ve vlhkém sklepě nebo v blízkosti bazény (nebo na podobných místech).
13. Objekty a kapaliny v zařízení - Nevkládejte objekty přes otvory, protože mohou přijít do styku s body nebezpečného napětí a komponenty, které mohou způsobit poruchu nebo úraz elektrickým proudem. Tekutiny by za žádných okolností neměly vniknout na povrch přístroje. Nepokládejte žádné předměty obsahující kapaliny na horní část zařízení.

14. Čištění – před čištěním vždy odpojte přístroj od elektrické zásuvky. Prach kolem reproduktoru lze odstranit jen suchým hadříkem. Pokud je třeba použít čisticí sprej, nesměřujte postřik ne přímo na přístroj, ale na hadřík. Dávejte pozor, aby nedošlo k poškození pohonné jednotky
15. Přídavná zařízení - nepoužívejte příslušenství, která nejsou schválena výrobcem, protože mohou představovat hrozbu.
16. Příslušenství - neumísťujte přístroj na nestabilní vozík, stojan, stativ, držák nebo stůl. Přístroj může spadnout, poškodit se a způsobit vážné zranění dětem nebo dospělým. Použití pouze s vozíkem, stojanem, trojnožkou, držákem nebo stolem, stanoveným výrobcí nebo prodáváním se zařízením. Instalace zařízení by měla být provedena v souladu s pokyny výrobce, za použití montážních sad doporučených výrobcem.
17. Stěhování zařízení - zařízení umístěné na vozíku pohybujte velmi pečlivě. Rychlé zastavení, nadměrné použití síly a nerovné povrchy mohou způsobit převrácení vozíku se zařízením.
18. Období mimo provoz - napájecí šňůra musí být odpojena od zásuvky během bouřky nebo kdy přístroj není používán po dlouhou dobu.
19. Servis - Nepokoušejte se o vlastnoruční prohlídky zařízení. Otevření krytu může způsobit nebezpečné napětí a vystavit uživatele na nebezpečí. Údržbu a opravy a opravy zařízení se zabývá výhradně kvalifikovaný servisní personál.
20. Pokud nepoužíváte zařízení, odpojte napájecí kabel od zásuvky ve zdi. Pokud je zařízení připojeno ke zdroji napájení, je v pohotovostním režimu a není zcela vyloučeno.
21. Náhradní díly - při výměně dílů, zkontrolujte, zda zaměstnanec servisu použil náhradní díly specifikované výrobcem, nebo díly stejné díly jako původní. Výměna za neschválené díly hrozí poruchou, úrazem elektrickým proudem nebo jiným nebezpečím.
22. Hlavní pojistky – pro kontinuální zabezpečení zařízení před ohněm, použijte pojistky správného typu a parametrů. Parametry pojistky v rozsahu napětí jsou vyznačeny na přístroji.
23. Nezvyšujte hlasitost při poslechu skladby malé hlasitosti nebo v nepřítomnosti vstupního zvukového signálu. V opačném případě může dojít k poškození reproduktoru při rychlém zvýšení síly signálu.
24. Jediným způsobem, odpojení zařízení od zdroje elektrické energie je odpojení napájecího kabelu od elektrické zásuvky nebo od zařízení. Zásuvka nebo vstupní napájecí kabel k zařízení musí být vždy k dispozici při používání výrobku.
25. Zařízení by mělo být instalováno v blízkosti elektrické zásuvky nebo prodlužovačky a to takovým způsobem, aby bylo vždy k dispozici.
26. Maximální okolní teplota zařízení je 35 °C
27. Pokyny týkající se elektrostatických výbojů - v případě, že činnost zařízení je narušena elektrostatickými výboji, vypněte jej a opětovně zapnete nebo přemístíte přístroj do jiného místa.
28. Baterie
 - A. Baterie nesmí být vystaveny nadměrnému teplu, jako je sluneční záření, oheň atd.
 - B. Při likvidaci baterie, věnujte pozornost environmentálním aspektům.
 - C. Upozornění týkající se používání baterií: aby se zabránilo úniku baterie, což může mít za následek zranění nebo poškození zařízení:
 - Při vkládání baterií dbejte na správnou polaritu (+ a -).
 - Nepoužívejte různé baterie najednou - staré a nové baterie, standardní a alkalické apod.
 - Vyjměte baterie z přístroje, když není používán po delší dobu

Poznámka o ERP2 (zařízení související se spotřebou energie)

Toto zařízení s ekodesignem je v souladu s požadavky části 2 nařízení Komise (ES) 1275/2008 ke směrnici 2009/125/ES o spotřebě energie kterým se provádí směrnice Evropského parlamentu a Rady 2005/32/ES, pokud jde o požadavky na ekodesign z hlediska spotřeby elektrické energie elektrických a elektronických zařízení určených pro domácnosti a kanceláře v pohotovostním režimu a ve vypnutém stavu. Po uplynutí 15 minut bez vstupního audio signálu zařízení se automaticky přepne do pohotovostního režimu. Informace o obnovení normálního provozu lze nalézt v příručce.

Důležité informace:

Tento přístroj je vybaven režimem pro úsporu energie: pokud v rámci 15 minut nebude automaticky podán žádný vstupní signál, přístroj přejde do pohotovostního režimu, aby šetřil energii (ERP standard 2). Je třeba poznamenat, že nízké nastavení hlasitosti ve zdroji audio signálu může být rozpoznáno jako stav "bez zvuku", což může ovlivnit vaši schopnost detekování signálu ze zařízení a způsobit automaticky posun do pohotovostního režimu. V tomto případě, obnovte přenos zvuku a zvýšete hlasitost zdroje zvuku (MP3 přehrávač atd.), pro obnovení přehrávání. Pokud problém přetrvává, obraťte se na místní servisní středisko.

VAROVÁNÍ

Přístroj by neměl být používán osobami (včetně dětí) s fyzickým, smyslovým nebo mentálním postižením a osobami s nedostatečnými znalostmi a zkušenostmi, pokud nejsou pod dohledem osoby odpovědné za jejich bezpečnost a nebyly poučeny, jak bezpečně používat zařízení. Přítomnost dospělých je nutná v případě, že zařízení obsluhuje děti; to umožní zajištění bezpečného provozu zařízení.

1. Nikdy nenechávejte zařízení běžet bez dozoru! Vypněte zařízení, pokud jej nepoužíváte, a to i na krátkou dobu.
2. Neprovodujte přístroj přes externí časovač nebo samostatný systém dálkového ovládání.
3. Aby se zabránilo nebezpečí, v případě poškození napájecího kabelu výměnu by měl dělat výrobce, autorizovaný poskytovatel služeb nebo jiná osoba, mající příslušné kvalifikace.
4. Před použitím zařízení zkontrolujte, zda napětí odpovídá napětí vyskytujícímu se v místní síti.
5. Nezakrývejte větrací otvory novinami, ubrusy, záclonami, atd. Ujistěte se, že nad přístrojem je alespoň 20 cm volného prostoru, a z každé strany - nejméně 5 cm.
6. Nedovolte, aby na přístroj kapaly nebo se lily tekutiny a nepokládejte na něj předměty naplněné kapalinami, jako například vázy.

7. Aby nedošlo k poruše nebo k úrazu elektrickým proudem, nevystavujte zařízení na horká místa, na dešť, vlhkost a prach.
8. Nepokládejte zařízení do blízkosti zdrojů vody, jako jsou kohoutky, vany, pračky nebo bazény. Umístěte zařízení na plochý stabilní povrch.
9. Nevystavujte silnému magnetickému poli.
10. Nepokládejte zařízení přímo na zesilovači nebo přijímači.
11. Nepokládejte přístroj na vlhká místa, protože vlhkost poškozuje elektrické součásti.
12. Přenos zařízení z chladného do teplého prostředí nebo do vlhkého prostoru může vést ke kondenzaci vlhkosti na čočce uvnitř přehrávače. V takové situaci, přístroj nebude pracovat správně. Nechte součásti v přístroji po dobu jedné hodiny pro odpařování vlhkosti.
13. Nečistěte zařízení chemickými rozpouštědly, protože mohou zničit lak skříně. Přístroj se čistí čistým, suchým nebo mírně vlhkým hadříkem.
14. Při odpojování ze zásuvky vždy tahejte za zástrčku, ne za kabel.
15. Když se zapnutý přístroj používá v blízkosti zapnutého televizoru, může být zdrojem narušení obrazu v podobě čar na obrazovce. Kvalita obrazu závisí na vlnovém pásmu TV vysílání. Tento jev neznamená poruchu zařízení nebo televizoru. Vidíte-li tyto čáry, umístěte přístroj do větší vzdálenosti od televizoru.
16. Síťová zástrčka se používá k odpojení napájení a měla by být vždy k dispozici.
17. Chcete-li zabránit možné ztrátě sluchu, neposlouchejte hudbu delší dobu nahlas.



POZOR

Prohlášení o shodě



Blaupunkt Competence Center 2N-Everpol Sp. z o.o. tímto prohlašuje, že je toto zařízení v souladu se základními požadavky a dalšími příslušnými ustanoveními směrnice 2014/53 / EU. Prohlášení o shodě lze získat ze stránky produktu na www.blaupunkt.com.

Odpovědná strana: 2N-Everpol Sp. z o.o., Puławska 403A, 02-801 Varšava, Polsko, Tel: +48 22 688 08 00, E-mail: info@everpol.pl



Naše produkty jsou navrženy a vyrobeny z vysoce kvalitních materiálů a komponent, které jsou recyklovatelné a znovu použitelné.



Je-li tento symbol přeškrtnutého kontejneru uveden na výrobku, znamená to, že výrobek podléhá směrnici EU 2012/19/ES. Informujte se prosím o místní systém sběru tříděného odpadu pro elektrické a elektronické výrobky. Prosím řiďte se místními pravidly a nelikvidujte staré produkty spolu s běžným komunálním odpadem. Správnou likvidací starého výrobku pomůžete předějit možným negativním dopadům na životní prostředí a lidské zdraví.



Výrobek obsahuje baterie podléhající směrnici EU 2006/66/EC, které nelze vyhazovat do běžného domovního odpadu. Informujte se prosím o místních pravidlech o sběru baterií, neboť správnou likvidací pomůžete předcházet negativním důsledkům pro životní prostředí a lidské zdraví.

Informace týkající se životního prostředí

Výrobek je zabalen pouze v nezbytném obalu pro jeho ochranu. Snahou naší firmy je, aby byl obalový materiál snadno rozdělitelný na tři materiály: lepenku (krabice), polystyrén (ochranné balení) a polyetylen (sáčky, ochranné fólie z lehčeného plastu). Výrobek se skládá z materiálů, které lze recyklovat a znovu použít v případě demontáže odbornou firmou. Dodržujte prosím místní předpisy týkající se likvidace obalových materiálů, vybitých baterií a starého zařízení.

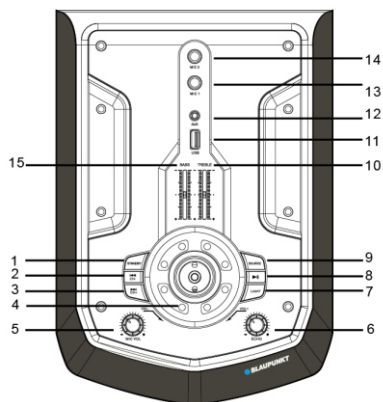
Na nahrávání a přehrávání materiálů může být vyžadován souhlas. Viz Zákon o Copyrightu Act 1956 a Zákon na ochranu umělců Sk 1958-1972.



Bluetooth® název i logo jsou registrované obchodní známky společnosti Bluetooth SIG, Inc. a její použití je zatížené licencí. Ostatní obchodní známky a jména jsou vlastněny jejich vlastníky.

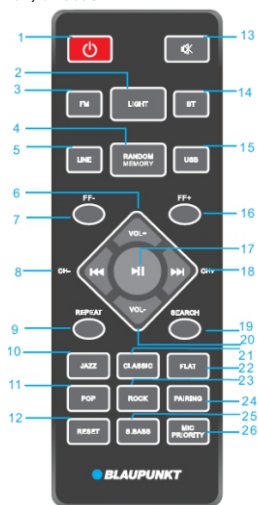
Děkujeme za nákup našeho zařízení. Před zahájením obsluhy je nejprve nutné podrobně přečíst a seznámit se s tímto návodem. Uchovejte návod pro případné použití v budoucnu.

Řídící panel



- 1 – Tlačítko pohotovostního režimu (zapnutí / vypnutí);
- 2, 3 - Předchozí / následující / kanál - / kanál +;
- 4 - Ovládání hlasitosti;
- 5 - Otočné kolečko regulace hlasitosti mikrofonu;
- 6 - Otočné kolečko regulace echa mikrofonu;
- 7 - Osvětlení disco;
- 8 - Přehrávání / pauza;
- 9 - Zdroj;
- 10, 15 - Regulace nízkých a vysokých tónů;
- 11 - Port USB;
- 12 – Zástrčka AUX IN;
- 13, 14 - Mikrofonový výstup 1 a 2;

Dálkový ovladač



- 1 - Tlačítko napájení;
- 2 - Tlačítko vypnutí/zapnutí osvětlení disco;
- 3, 5, 14, 15 - Tlačítko FM / LINE IN / Bluetooth / USB;
- 4 - Tlačítko zap./vyp. náhodného přehrávání / tlačítko paměti;
- 6, 20 - Hlasitost +/-;
- 7, 16 - Tlačítko rychlého přetáčení FF - / +;
- 8, 18 - Předchozí a následující, tlačítka kanál - / +;
- 9 - Tlačítko opakování (opakovat jednu skladbu / opakovat vše / vypnout);
- 10, 11, 21, 22, 23 - Režimy korektoru EQ (jazz / pop / klasika / flat / rock)
- 12 - Tlačítko reset;
- 13 - Tlačítko ztlumení;
- 17 - Přehrávání / pauza;
- 19 - Tlačítko vyhledávání;
- 24 - Tlačítka párování;
- 25 - Tlačítko Super Bass;
- 26 - Tlačítko priority mikrofonu;

Připojení napájení

Ověřit, zda zdroj napájení odpovídá specifikaci jmenovitého napětí, která se nachází na zadním panelu zařízení. Pokud se neshoduje, je nutné kontaktovat prodejce nebo servisní centrum.

Zasunout ženskou zástrčku napájecího kabelu do zásuvky v zařízení, následně, pro získání zdroje napájení, připojit zástrčku napájecího kabelu do nástěnné zásuvky. Zapněte zařízení pomocí přepínače, který se nachází na zadním panelu,

Pro zapojení displeje, zmáčknout napájecí tlačítko na vrchním panelu nebo na dálkovém ovladači, čímž se prokáže, že připojení napájení proběhlo úspěšně a je možno pokračovat s další obsluhou.

Napájení baterie a nabíjení: Zařízení má vestavěnou baterii (12 V / 4000 mAh), která umožňuje přehrávání hudby bez připojování napájení střídavým proudem. Baterie se bude nabíjet, kdy bude dostupné nabíjení střídavým proudem; červená dioda LED, která se nachází na zadním panelu se rozsvítí během napájení, změní barvu na modrou, kdy baterie bude celkem nabitá; když úroveň nabití je nízká a její nutno připojit k nabití, LED svítí žlutě. V případě vybití baterie se reproduktor automaticky vypne.

23hodinová doba přehrávání na baterie při následujícím nastavení:

Zdroj: Bluetooth

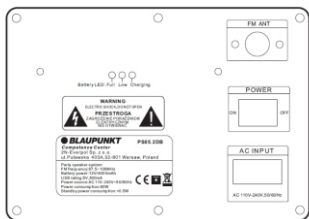
Úroveň hlasitosti: 10

Osvětlení: 1: Vypnuto;

Režim ekvalizéru: Ploché,

Nastavení basů a výšek: 0

Super basy: Střední úroveň.



Instalace baterie do dálkového ovladače

Otevřete dvířka prostoru pro baterie a vložte 2 baterii AAA (je součástí balení); ujistěte se, že polarita baterie odpovídá kladným a záporným symbolům vyrytým pod ní. Potom zavřete dvířka prostoru pro baterie.

POZOR:

- Pracovní vzdálenost dálkového ovladače je 7 metrů bez překážek mezi dálkovým ovládáním a hlavní jednotkou. Při ovládání dálkovým ovladačem zaměřte na snímač umístěný v levém rohu displeje.
- Citlivost dálkového ovládání se snižuje při vybití baterie. Vyměňte ji za novou tak, aby dálkové ovládání fungovalo správně.
- Vyjměte baterii, pokud dálkový ovladač delší dobu nepoužíváte.
- Baterii zlikvidujte ekologickým způsobem. Přečtěte si prosím požadavky na likvidaci místních úřadů.

Všeobecná obsluha

- Zapnutí / vypnutí:** pro zapnutí nebo vypnutí zařízení, je nutné zmáčknout tlačítko pohotovostního režimu na vrchním panelu nebo tlačítko napájení na ovládači; Pro vypnutí napájení, vytáhnout zástrčku ze síťové zásuvky.
- Výběr zdroje přehrávání:** Zmáčknout tlačítko pro volbu zdroje na hlavním panelu nebo zmáčknout FM, BT, LINE, tlačítko USB na ovládači, pro přepínání zdroje přehrávání mezi FM / Bluetooth / Line in / USB.
- Regulace hlasitosti:** Otočit ovládací kolečko hlasitosti na vrchním panelu nebo zmáčknout tlačítko VOL +/- na ovládači, pro zvýšení nebo snížení hlasitosti.
- Regulace vysokých a nízkých tónů:** Pro regulaci barvy výchozího zvuku, posunout posuvník regulace basů/výšek nahoru nebo dolů.
- Ztlumení zvuku:** zmáčknutí tlačítka MUTE na ovládači způsobí ztlumení zvuku; Opětovné zmáčknutí tohoto tlačítka vrací zvuk na dříve nastavenou hodnotu.
- Nastavení korektoru:** zmáčknutí patřičného tlačítka na ovládači umožňuje změnu režimu korektoru mezi Jazz / Classic / Flat / POP / ROCK / Super Bass.
- Přehrávání / pozastavení:** pro pozastavení nebo obnovení přehrávání hudby v režimu Bluetooth / USB, zmáčknout tlačítko přehrávání/pauza.
- Opakování a náhodné přehrávání:** pro zapnutí patřičného režimu přehrávání hudby je nutné zmáčknout tlačítko přehrávání; Pro zapnutí / vypnutí funkce náhodného přehrávání v režimu USB, zmáčknout tlačítko náhodného přehrávání.
- Osvětlení:** pro přepínání mezi osmi efekty režimu osvětlení nebo pro jejich vypnutí, je nutné opakovaně zmáčknout tlačítko osvětlení.
- Reset:** pro vrácení zařízení do továrního nastavení, zmáčknout tlačítko resetování na ovládači.

Obsluha FM rádia

Před zahájením poslechu FM rádia, je pro dosažení lepšího příjmu FM signálu nutné zařízení umístit vedle okna. Zařízení má zabudovanou interní FM anténu. Poté, pro příjem rádiových frekvencí připojte dodanou vnější antenu do zásuvky FM na zadním panelu

- Automatické skenování a programování rádiových stanic (automatický režim):** krátké zmáčknutí tlačítka pro přehrávání / pauzu na vrchním panelu nebo zmáčknutí tlačítko pro vyhledávání na ovládači spouští režim automatického skenování a ukládání dostupných rádiových stanic. Po ukončení skenování, zařízení zahájí automatické přehrávání první naprogramované stanice. (Maximální počet obsluhovaných naprogramovaných stanic: 40)
- Volba rádiové stanice:** pro výběr a přehrávání předchozí nebo následné naprogramované stanice, je nutné v režimu rádia zmáčknout tlačítko následující / předchozí na vrchním panelu nebo ovládači.
- Programování rádiových stanic (manuální režim):** zmáčknout a podržet na několik sekund tlačítko následující / předchozí pro automatické skenování nebo krátce zmáčknout tlačítko FF +/- na ovládači, pro nastavení oblíbené stanice a následně zmáčknout tlačítko paměti, pro zahájení režimu manuálního programování, následně zmáčknout tlačítko kanál +/- na ovládači, pro výběr požadovaného umístění stanice, opětovně zmáčknout tlačítko paměti, pro potvrzení a ukončení programování.

USB přehrávání

Zařízení má funkci USB přehrávání, která může dekodovat a přehrávat hudbu z přenosných USB pamětí. Před zahájením přehrávání, zkopírovat hudbu MP3 na přenosnou USB paměť; Vložit USB paměť do zařízení, protože režim USB přehrávání je dostupný pouze tehdy, když je USB paměť správně připojena. Následně zařízení provede automatické rozpoznání a přehraje MP3 hudbu.

Volba skladby: pro zvolení předchozí nebo následující skladby, je třeba krátce zmáčknout tlačítko předchozí/následující; Pro posunutí aktuálně přehrávané skladby do předu, je třeba zmáčknout a podržet tlačítko sloužící k přetáčení, pro další poslech skladby, tlačítko uvolnit.

V režimu USB jsou dostupné následující funkce: přehrávání / pauza, ztlumení, opakování, korekce zvuku, regulace vysokých / nízkých tónů atp. Podrobnosti se nacházejí v bodě „Všeobecná obsluha“ tohoto návodu.

Poznámky:

- Nedoporučuje se připojovat USB paměti pomocí USB prodlužovacích kabelů, protože to může mít negativní vliv na kvalitu přehrávání a způsobovat hluk nebo přerušovaný zvuk, který je způsobený ztrátou audio dat během odesílání souborů.
- Nelze zaručit dekodování a přehrávání všech skladeb ve formátu MP3.
- Zařízení obsluhuje USB paměti s maximálním objemem 32 GB.
- Automatické přehrávání některých USB paměti, může, s ohledem na typ a výrobce, zabrat trochu víc času; Nesmíme zapomínat, že nejde o poruchu.

Fungování Bluetooth

Tento produkt má funkci Bluetooth, která umožňuje bezdrátové přehrávání hudby z jiného zařízení Bluetooth (jakým je chytrý telefon, tablet atp.).

- Opakovaně zmáčknout tlačítko zdroje, pro vstup do režimu Bluetooth, na displeji se objeví text „BLUE“, což znamená, že zařízení je připraveno k párování.
- Zapnout funkci Bluetooth na vnějším zařízení a vyhledat dostupná zařízení (seznamte se s návodem pro obsluhu vnějšího zařízení), následně ověřit dostupnost zařízení Bluetooth v seznamu. Pro připojení zvolit "BP PS05.2DB", displej s blikajícím textem "BLUE" bude po úspěšném párování stabilní.
- Zvolit a přehrát hudbu z vnějšího zařízení Bluetooth, následně dojde k přehrávání zvuku pomocí reproduktoru v zařízení.
- Pro výběr poslední a následující přehrávané skladby, zmáčknout tlačítko předcházející / následující.
- V režimu Bluetooth je možno mít funkci přehrávání / pauzy, ztlumení, korekce zvuku, korekce vysokých a nízkých tónů. Podrobnosti se nacházejí v bodě „Všeobecná obsluha“ tohoto návodu.

Poznámky:

- Nelze zaručit správné propojení se všemi zařízeními Bluetooth a to s ohledem na odlišné projekty a značky.
- Pracovní vzdálenosti Bluetooth je 10 metrů bez jakýchkoliv překážek.
- Zařízení se může spárovat a pracovat s jedním zařízením Bluetooth současně.
- V případě příchodního spojení během přehrávání Bluetooth; Hudba se zastaví a bude obnovena po ukončení telefonického hovoru.
- Pro ukončení aktuálního propojení se zařízením Bluetooth a zahájení párování s jiným zařízením, je nutné zmáčknout tlačítko párování na ovládači.

Provoz v režimu AUX IN

Pro připojení a přehrávání hudby z jiného přehrávače nebo zařízení, je třeba postupovat dle těchto instrukcí:

Pomocí audio kabelu propojit zástrčku AUX IN na vrchním panelu zařízení s lineárním výstupem nebo zástrčkou pro sluchátka přehrávače, jakým je např. MP3 přehrávač, CD, DVD, mixer atp. Následně je třeba vybrat a přehrávat hudbu na vnějším přehrávači, zvuk poté bude přehráván pomocí našeho zařízení. V režimu AUX-IN provádí hlavní kontrolu přehrávání vnější přehrávač. Na našem zařízení je možno kontrolovat hlasitost, ztlumení zvuku a regulovat úroveň basů a výšek.

Karaoke

Zařízení obsahuje 1 bezdrátový mikrofon a 2 vstupy pro drátové mikrofony, které umožňují zpívat písně během hudebních událostí. Před použitím dodaného bezdrátového mikrofonu otevřete komoru baterie, vložte 2 kusy baterií AA (není součástí) podle symbolu polarit +/-, následně uzavřete komoru baterie a zapněte mikrofon. Zařízení se automaticky napájí s mikrofonem. Otáčením ovládací kolečka hlasitosti na horním panelu nastavte hlasitost mikrofonu. Mikrofon je připraven k použití.

Připojte drátový mikrofon (není součástí) do zásuvky 6,3 mm, zapněte mikrofon a začněte zpívat.

Rady:

- Pokud používáte mikrofon pro obsluhu funkce Karaoke, je možné pomocí patřičných koleček provést regulaci nastavení vysokých tónů / basů / echa.
- Reproduktor může vydávat hlasitý hluk nebo zkresení v okamžiku, kdy hladina hlasitosti, nastavení basů a výšek nebo funkce echa budou nastaveny na příliš vysoké úrovni. Nejde o poruchu. Je třeba snížit hladinu výše uvedených nastavení a následně mikrofon zapnout nebo vypnout.
- Naše zařízení má funkci priority mikrofonu. Pokud si tuto funkci zvolíte z ovládače, zvuk karaoke bude přehráván pomocí reproduktorů a bude mít prioritu (bez hudebního pozadí); po ukončení zpívání se automaticky spustí přehrávání hudby.
- Používat funkci karaoke a poslouchat hudbu lze současně; V případě, kdy potřebujete zvýšit hlasitost karaoke a snížit hladinu zvuku v pozadí, můžete pomocí patřičných ovládacích koleček provést regulaci zvláště hlasitosti mikrofonu a hladiny reproduktoru.
- Mikrofon je nutné vypnout, pokud se dostane vedle reproduktoru, v opačném případě způsobí silný hluk.

Řešení problémů

1. Reproduktor nelze vypnout.

a. Zkontrolujte, zda je připojení napájení provedeno správně.

2. Chybí zvuk.

a. Zkuste provést regulaci ovládacího kolečka pro hlasitost a zkontrolovat zdroj přehrávání.

b. Pokud bude problém přetrvávat, bude nutné kontaktovat servisní centrum.

3. Zkreslení zvuku.

a. Zkuste přizpůsobit a přehrát hudbu s nižší hladinou hlasitosti.

b. Ověřte stav regulace vysokých / nízkých tónů.

4. Šum při poslechu FM stanice.

a. Pro zlepšení příjmu, přeneste zařízení na jiné místo.

b. Spusťte opět skenování nebo změňte stanici na jinou.

Specifikace

Zdroj napájení: AC 110-240V, 50/60 Hz.

Frekvence FM: 87,5-108,0 MHz.

Konektor USB: 5V, 500mA, verze 2.0, obsluhovaná datová uložště do 32 GB.

Bluetooth: V2.1 + EDR, pracovní vzdálenost do 10m

Výstupní výkon RMS: 2 x 30 W.

Regulace nízkých a vysokých tónů: -9dB ~ + 9dB.

Mikrofon: výstup 2 x 6,3 mm, připojení kabelového mikrofonu. 1 x bezdrátový mikrofon

Baterie: 12V / 4000mAh; doba nabíjení: 3 ~ 4 hodiny; doba přehrávání: 2 ~ 3 hodiny.

Příkon: 80 W

Příkon v pohotovostním režimu: < 0,5 W.

(Tato specifikace může být změněná bez předchozího oznámení).

DŮLEŽITÉ BEZPEČNOSTNÉ POKYNY



UPOZORNENIE



Nebezpečenstvo úrazu elektrickým prúdom
NEOTVÁRAŤ

Upozornenie:

Ak chcete znížiť riziko úrazu elektrickým prúdom, neodstraňujte kryt alebo zadnú časť zariadenia. Vnútri nie sú žiadne prvky určené na opravu používateľom. Údržbou a opravami zariadení sa zaoberá len kvalifikovaný servisný personál.

Vysvetlenie grafických symbolov:



Symbol blesku so šípkou umiestnený v trojuholníku upozorňuje užívateľa na prítomnosť neizolovaného "nebezpečného napätia" v priestore krytu zariadenia, ktoré môže dosiahnuť veľkosť hroziacu nebezpečenstvo úrazu elektrickým prúdom.



Výkričník vo vnútri rovnostranného trojuholníka upozorňuje užívateľa, že v tejto časti sú popísané dôležité informácie týkajúce sa prevádzky a údržby zariadení v dokumentácii dodanej so zariadením.

Pred použitím prístroja si prečítajte tento návod, aby ste sa oboznámili s jeho funkciami a využili je, ako bolo zamýšľané pre zaistenie dlhšej životnosti, bezporuchovej prevádzky zariadenia a radosti s použitia.

Dôležité informácie

- Ušchovajte tento návod a bezpečnostné informácie pre ich použitie v budúcnosti.
- Nedovoľte, aby na prístroj kvapkala alebo sa lila tekutina.
- Nepoužívajte vo vlhkých miestach, ako napr kúpeľne.
- Neumiestňujte tento prístroj na nasledujúcich miestach:
- Vystavených priamemu slnečnému žiareniu alebo blízko radiátorov.
- Na iné stereofónne zariadenie, ktoré generujú teplo.
- Blokovať vetranie alebo umiestňovať v prašnom prostredí.
- V priestoroch vystavených otrasom.
- V priestoroch s vysokou vlhkosťou.
- Neumiestňujte zariadenie v blízkosti otvoreného ohňa alebo sviečky.
- Zariadenie je možné použiť iba tak, ako je popísané v tomto návode.
- Pred prvým zapnutím sa uistite, že napájanie bolo správne pripojené.
- USB pamäť sa pripája priamo alebo cez predlžovací USB kábel s dĺžkou do 25 cm.

Z bezpečnostných dôvodov neodstraňujte kryty a nesnažte sa dostať dovnútra zariadenia. Prístroj by mal byť opravovaný iba kvalifikovaným servisným personálom. Nerozoberajte zariadenie ani neotvárajte kryt, pretože vo vnútri nie sú žiadne diely, ktoré môžu byť opravené vlastnými silami. Údržbou a opravami zariadení sa zaoberá výhradne kvalifikovaný servisný personál.

BEZPEČNOSTNÉ POKYNY

1. Prečítajte si pokyny - pred použitím zariadenia si prečítajte celý návod a bezpečnostné informácie.
2. Tieto pokyny uschovajte - uschovajte návod na použitie pre použitie v budúcnosti.
3. Dodržiavajte varovanie - dodržujte všetky varovania umiestnené na zariadení a v súlade s pokynmi.
4. Dodržiavajte pokyny - postupujte podľa pokynov a návodu pre užívateľa.
5. Inštalácia - nastavte zariadenie podľa pokynov výrobcu.
6. Napájacie zdroje - tento produkt by mal byť napájaný iba zo zdrojov uvedených na označenie na napájacom kábli. Ak si nie ste istí, aký typ napájania máte doma, mali by ste sa obrátiť na svojho predajcu alebo miestneho dodávateľa elektrickej energie.
7. Uzemnenie alebo polarizácia napájania - zariadenie nemusí byť uzemnené. Uistite sa, že je zástrčka úplne zasunutá do zásuvky v stene alebo do predlžovacieho kábla, aby sa zabránilo odhaleniu kolíkov a kontaktov. Niektoré verzie zariadenia môžu byť vybavené polarizovanou zástrčkou AC (s kolíkom). Túto zástrčku je možné zasunúť do sieťovej zásuvky iba jedným spôsobom. Toto je bezpečnostná funkcia. Ak nie je možné vložiť zástrčku do zásuvky, skúste ju otočiť. Ak zástrčka stále nepasuje do zásuvky, požiadajte elektrikára, aby ju vymenil. Neodstraňujte zabezpečenia polarizovanej zástrčky. Ak používate predlžovací kábel alebo kábel iný ako dodávaný s zariadením, mal / a by ste mať zodpovedajúce zástrčky a bezpečnostné osvedčenie požadované vo vašej krajine.
8. Zaistenie napájacieho kábla - napájacie káble by mali byť vedené tak, aby nikto po po nich nešliapal, nestiskal a aby nedošlo k odrezanie časti zariadenia predmetami umiestnenými vedľa. Venujte zvláštnu pozornosť zástrčkám, zásuvkám a miestam vyznačujúcim sa tým, že káble sú vyvedené von zo zariadenia.
9. Preťaženie - nepreťažujte zásuvky, predlžovacie šnúry a elektrické rozvážače, môže to mať za následok poruchu alebo úraz elektrickým prúdom.
10. Vetranie - Prístroj musí byť riadne vetranie. Nekladte výrobok na posteľ, pohovku, alebo podobný povrch. Nezakrývajte zariadenie obrusy, obrúsky, novinami, atď
11. Teplo - Neumiestňujte zariadenie blízko zdrojov tepla ako sú radiátory, kachle alebo iné prístroje (vrátane zosilňovačov), ktoré produkujú teplo. Nekladte na zariadenie zapálené sviečky a iné otvorené zdroje ohňa.
12. Voda a vlhkosť - aby sa znížilo riziko poruchy alebo úrazu elektrickým prúdom, nevystavujte prístroj pôsobeniu dažďa, vody a vlhkosti, ako napríklad v saune, alebo v kúpeľni. Nepoužívajte toto zariadenie v blízkosti vody, napríklad pri vani, umývadle, kuchynského drezu alebo vane, vo vlhkej pivnici alebo v blízkosti bazéna (alebo na podobných miestach).
13. Objekty a kvapaliny v zariadení - Nevkladajte objekty cez otvory, pretože môžu prísť do styku s bodmi nebezpečného napätia a komponenty, ktoré môžu spôsobiť poruchu alebo úraz elektrickým prúdom. Tekutiny by za žiadnych okolností nemali vniknúť na povrch prístroja. Nekladte žiadne predmety obsahujúce kvapaliny na hornú časť zariadenia.

14. Čistenie - pred čistením vždy odpojte prístroj od elektrickej zásuvky. Prach okolo reproduktora možno odstrániť len suchou handričkou. Ak je potrebné použiť čistiaci sprej, nesmerujte postrek nie priamo na prístroj, ale na handričku. Dávajte pozor, aby nedošlo k poškodeniu pohonnej jednotky
15. Prídavné zariadenia - nepoužívajte príslušenstvo, ktoré nie sú schválené výrobcom, pretože môžu predstavovať hrozbu.
16. Príslušenstvo - neumiestňujte prístroj na nestabilný vozík, stojan, statív, držiak alebo stôl. Prístroj môže spadnúť, poškodiť sa a spôsobiť vážne zranenie deťom alebo dospelým. Použitie iba s vozíkom, stojanom, trojnožkou, držiakom alebo stolom, stanoveným výrobcovia alebo predávajúci sa so zariadením. Inštalácia zariadenia by mala byť vykonaná v súlade s pokynmi výrobcu, za použitia montážnych sád odporúčaných výrobcom.
17. Sťahovanie zariadenia - zariadenie umiestnené na vozíku pohybuje veľmi starostlivo. Rýchle zastavenie, použitie nadmernej sily a nerovné povrchy môžu spôsobiť prevrátenie vozíka so zariadením.
18. Obdobie mimo prevádzky - napájací šnúra musí byť odpojená od zásuvky počas búrky alebo keď prístroj nie je používaný po dlhú dobu.
19. Servis - Nepokúšajte sa o vlastnoručný prehľadky zariadení. Otvorenie krytu môže spôsobiť nebezpečné napätie a vystaviť užívateľa na nebezpečenstvo. Údržbu a opravy zariadení sa zaoberá výhradne kvalifikovaný servisný personál.
20. Ak nepoužívate zariadenie, odpojte napájací kábel od zásuvky v stene. Ak je zariadenie pripojené k zdroju napájania, je v pohotovostnom režime a nie je úplne vylúčené.
21. Náhradné diely - pri výmene dielov, kontrolujte, či zamestnanec servisu použil náhradné diely špecifikované výrobcom, alebo diely rovnaké ako pôvodné. Výmena za neschválené diely hrozi poruchou, úrazom elektrickým prúdom alebo iným nebezpečenstvom.
22. Hlavné poistky - pre kontinuálne zabezpečení zariadenia pred ohňom, použite poistky správneho typu a parametrov. Parametre poistky v rozsahu napätia sú vyznačené na prístroji.
23. Nezvyšujte hlasitosť pri počúvaní skladby malej hlasitosti alebo v neprítomnosti vstupného zvukového signálu. V opačnom prípade môže dôjsť k poškodeniu reproduktora pri rýchlom zvýšení sily signálu.
24. Jediným spôsobom odpojenia zariadenia od zdroja elektrickej energie je odpojenie napájacieho kábla od elektrickej zásuvky alebo od zariadenia. Zásuvka alebo vstupný napájací kábel k zariadeniu musí byť vždy k dispozícii pri používaní výrobku.
25. Zariadenie by malo byť inštalované v blízkosti elektrickej zásuvky alebo predlžovačky a to takým spôsobom, aby bolo vždy k dispozícii.
26. Maximálna okolitá teplota zariadenia je 35 ° C
27. Pokyny týkajúce sa elektrostatických výbojov - v prípade, že činnosť zariadenia je narušená elektrostatickými výbojmi, vypnite ho a opätovne zapnete alebo premiestnite prístroj do iného miesta.
28. Batérie
 - A. Batérie nesmú byť vystavené nadmernému teplu, ako je slnečné žiarenie, oheň atď
 - B. Pri likvidácii batérie, venujte pozornosť environmentálnym aspektom.
 - C. Upozornenia týkajúce sa používania batérií: aby sa zabránilo úniku batérie, čo môže mať za následok zranenie alebo poškodenie zariadenia:
 1. Pri vkladaní batérií dbajte na správnu polaritu (+ a -).
 2. Nepoužívajte rôzne batérie naraz - staré a nové batérie, štandardné a alkalické atď
 3. Vyberte batérie z prístroja, keď nie je používaný po dlhšiu dobu

Poznámka o ERP2 (zariadenia súvisiace so spotrebou energie)

Toto zariadenie s ekodizajnom je v súlade s požiadavkami časti 2 nariadenia Komisie (ES) 1275/2008 k smernici 2009/125/ES o spotrebe energie ktorým sa vykonáva smernica Európskeho parlamentu a Rady 2005/32/ES, pokiaľ ide o požiadavky na ekodizajn z hľadiska potreby elektrickej energie elektrických a elektronických zariadení v domácnosti a kancelárii v pohotovostnom režime a vo vypnutom stave. Po uplynutí 15 minút bez vstupného audio signálu zariadenie sa automaticky prepne do pohotovostného režimu. Informácie o obnovenie normálnej prevádzky možno nájsť v príručke.

Dôležité informácie:

Tento prístroj je vybavený režimom pre úsporu energie: ak v rámci 15 minút nebude automaticky podaný žiadny vstupný signál, prístroj prejde do pohotovostného režimu, aby šetril energiu (ERP štandard 2). Je potrebné poznamenať, že nízke nastavenie hlasitosti v zdroji audio signálu môže byť rozpoznané ako stav "bez zvuku", čo môže ovplyvniť vašu schopnosť detekovanie signálu zo zariadenia a spôsobiť automaticky posun do pohotovostného režimu. V tomto prípade, obnovte prenos zvuku a zvýšte hlasitosť zdroja zvuku (MP3 prehrávač atď), pre obnovenie prehrávania. Ak problém pretrváva, obráťte sa na miestne servisné stredisko.

VAROVANIE

Prístroj by nemal byť používaný osobami (vrátane detí) s fyzickým, zmyslovým alebo mentálnym postihnutím a osobami s nedostatocnými znalosťami a skúsenosťami, pokiaľ nie sú pod dohľadom osoby zodpovednej za ich bezpečnosť a neboli poučené, ako bezpečne používať zariadenie. Prítomnosť dospelých je nutná v prípade, že zariadenie obsluhujú deti; to umožní zabezpečenie bezpečnej prevádzky zariadenia.

1. Nikdy nenechávajte zariadenie bežať bez dozoru! Vypnite zariadenie, ak ho nepoužívate, a to aj na krátku dobu.
2. Nepoužívajte prístroj cez externý časovač alebo samostatný systém diaľkového ovládania.
3. Aby sa zabránilo nebezpečenstvu, v prípade poškodenia napájacieho kábla výmenu by mal robiť výrobca, autorizovaný poskytovateľ služieb alebo iná osoba, majúca príslušné kvalifikácie.
4. Pred použitím zariadenia skontrolujte, či napätie zodpovedá napätiu vyskytujúcemu sa v miestnej sieti.
5. Nezakrývajte vetracie otvory novinami, obrusmi, záclonami, atď Uistite sa, že nad prístrojom je aspoň 20 cm voľného priestoru, az každej strany - najmenej 5 cm.
6. Nedovoľte, aby na prístroj kvapkali alebo sa lily tekutiny a nekladte naň predmety naplnené kvapalinami, ako napríklad vázy.

7. Aby nedošlo k poruche alebo k úrazu elektrickým prúdom, nevystavujte zariadenie na horúčavy miesta, na dážď, vlhkosť a prach.
8. Nepokladajte zariadenie do blízkosti zdrojov vody, ako sú kohútiky, vane, práčky alebo bazény. Umiestnite zariadenie na rovný stabilný povrch.
9. Nevystavujte silnému magnetickému poľu.
10. Nekladte zariadenie priamo na zosilňovači alebo prijímači.
11. Nekladte prístroj na vlhka miesta, pretože vlhkosť poškodzuje elektrické súčasti.
12. Prenos zariadení z chladného do teplého prostredia alebo do vlhkého priestoru môže viesť ku kondenzácii vlhkosti na šošovke vo vnútri prehrávača. V takejto situácii, prístroj nebude pracovať správne. Nechajte súčasťou v prístroji po dobu jednej hodiny pre odparovanie vlhkosti.
13. Nečistite zariadenie chemickými rozpúšťadlami, pretože môžu zničiť lak skříně. Prístroj sa čistí čistým suchým alebo mierne vlhkou handričkou.
14. Pri odpájaní zo zásuvky vždy ťahajte za zástrčku, nie za kábel.
15. Keď sa zapnutý prístroj používa v blízkosti zapnutého televízora, môže byť zdrojom narušenia obrazu v podobe čiar na obrazovke. Kvalita obrazu závisí na vlnovom pásme TV vysielania. Tento jav neznamená poruchu zariadenia alebo televízora. Vidíte-li tieto čiary, umiestnite prístroj do väčšej vzdialenosti od televízora.
16. Sietová zástrčka sa používa na odpojenie napájania a mala by byť vždy k dispozícii.
17. Ak chcete zabrániť nožnej strate sluchu, nepočúvajte hudbu dlhšiu dobu nahlas.



POZNÁMKA



Prehlásenie o zhode

Blaupunkt Competence Center 2N-Everpol Sp. z o.o. týmto prehlasuje, že je toto zariadenie v súlade so základnými požiadavkami a ďalšími príslušnými ustanoveniami smernice 2014/53 / EU. Prehlásenie o zhode je možné získať zo stránky produktu na www.blaupunkt.com. Zodpovedná strana: 2N-Everpol Sp. z o.o, Puławska 403A, 02-801 Warszawa, Poľsko, Tel: +48 22 688 08 00, E-mail: info@everpol.pl



Naše produkty sú navrhnuté a vyrobené z vysoko kvalitných materiálov a komponentov, ktoré sú recyklovateľné a opäť použiteľné.



Ak je tento symbol preškrtnutého kontajneru uvedený na výrobku, znamená to, že výrobok podlieha smernici EU 2012/19/EU

Informujte sa prosím na miestny systém zberu triedeného odpadu pre elektrické a elektronické výrobky. Prosím riadte sa miestnymi pravidlami a nelikvidujte staré produkty spolu s bežným komunálnym odpadom.

Správnu likvidáciu starého výrobku pomôžete predísť možným negatívnym dopadom na životné prostredie a ľudské zdravie.



Výrobok obsahuje batérie podliehajúce smernici EU 2006/66/EC, ktoré nie je možné vyhadzovať do bežného domáceho odpadu. Informujte sa prosím o miestnych pravidlách zberu batérií, pretože správnu likvidáciu pomôžete predchádzať negatívnym dôsledkom pre životné prostredie a ľudské zdravie.

Informácie týkajúce sa životného prostredia

Výrobok je zabalený len v nutnom obale pre jeho ochranu. Snahou našej firmy je, aby bol obalový materiál jednoducho rozdeliteľný na tri materiály: lepenku (škatoľa), polystyrén (ochranné balenie) a polyetylen (sáčky, ochranné fólie z odľahčeného plastu). Výrobok sa skladá z materiálov, ktoré je možné recyklovať a znovu použiť v prípade demontáže odbornou firmou. Dodržujte prosím miestne predpisy týkajúce sa likvidácie obalových materiálov, vybitých batérií a starého zariadenia.

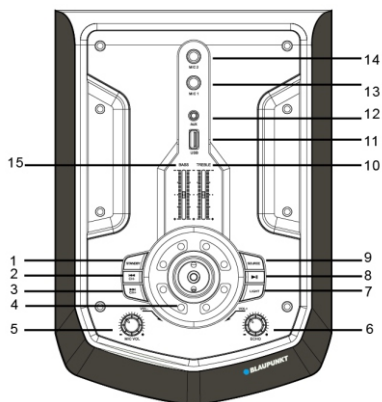
Na nahrávanie a prehrávanie materiálov môže byť vyžadovaný súhlas. Viz. Zákon o Copyright Act 1956 a Zákon na ochranu umelcov Sk 1958-1972.



Bluetooth® názov i logo sú registrované obchodné známky spoločnosti Bluetooth SIG, Inc. a jej použitie je zaťažené licenciou. Ostatné obchodné známky a mená sú vlastnené ich vlastníckmi.

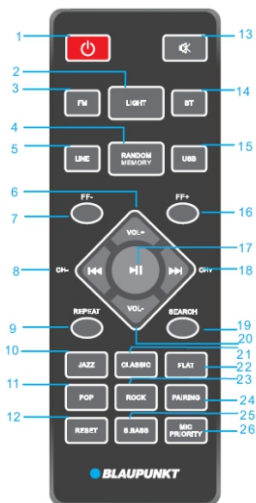
Ďakujeme, že ste si kúpili toto zariadenie. Predtým, než ho začnete používať, dôkladne sa oboznámte s touto príručkou. Príručku uchovajte pre prípadnú potrebu v budúcnosti.

Ovládací panel



- 1 - Tlačidlo pohotovostného režimu (zapnúť/vypnúť);
- 2,3 - Predchádzajúce/nasledujúce / kanál - / kanál +;
- 4 - Ovládanie hlasitosti;
- 5 - Ovládacie koliesko hlasitosti mikrofónu;
- 6 - Ovládacie koliesko echa mikrofónu;
- 7 - Disko osvetlenie
- 8 - Prehrávanie/pauza;
- 9 - Zdroj;
- 10,15 - Nastavenie nízkych a vysokých tónov;
- 11 - USB port;
- 12 - Vstup AUX IN;
- 13,14 - Mikrofónové vstupy 1 a 2;

Diaľkový ovládač



- 1 - Tlačidlo napájania;
- 2 - Tlačidlo zapnúť/vypnúť disko osvetlenie;
- 3,5,14,15 - Tlačidlo FM / LINE IN / Bluetooth / USB;
- 4 - Tlačidlo zap./vyp. náhodného prehrávania/tlačidlo zapamätania;
- 6,20 - Hlasitosť +/-;
- 7,16 - Tlačidlo rýchleho presúvania FF - / +;
- 8,18 - Predchádzajúci a nasledujúci, kanál - / +;
- 9 - Tlačidlo opakovania (opakovať jednu skladbu/opakovať všetko/vypnúť);
- 10,11,21,22,23 - Režimy ekvalizéra EQ (džez/pop/klasika/plochý/rock)
- 12 - Tlačidlo reset;
- 13 - Tlačidlo stlmenia;
- 21 - Prehrávanie/pauza;
- 19 - Tlačidlo vyhľadávania;
- 24 - Tlačidlo párovania;
- 25 - Tlačidlo Super Bass;
- 26 - Tlačidlo priority mikrofónu;

Pripojenie napájania

Skontrolujte, či parametre el. obvodu, ku ktorému chcete zariadenie pripojiť, sa zhodujú s parametrami uvedenými na výrobnom štítku, ktorý sa nachádza na zadnej strane zariadenia. Ak sa nezhodujú, kontaktujte predajcu alebo autorizovaný servis. Samičiu koncovku napájacieho kábla zastrčte do zariadenia, a následne zastrčte napájacieho kábla zastrčte do el. zásuvky. Takým spôsobom pripojíte zariadenie k el. napätiu. Zapnite zariadenie zapínačom. Stlačte tlačidlo On/Off na hornom paneli alebo na diaľkovom ovládači, následne zsvietí displej, čo znamená, že zariadenie je správne pripojené k el. napätiu a môžete ho začať používať.

Napájanie z batérie a nabíjanie: Zariadenie má integrovaný akumulátor (12V/ 4000 mAh), vďaka ktorému môžete prehrávať hudbu aj bez pripojenia k el. napätiu. Akumulátor sa dobíja, keď je zariadenie pripojené k sieťovému el. napätiu. Na zadnom paneli sa nachádza LED kontrolka, keď sa akumulátor nabíja, svieti načerveno, a keď je akumulátor úplne nabitý, svieti namodro. Keď je úroveň nabitia akumulátora príliš nízka, svieti nažltlo. V takej situácii zariadenie pripojte k sieťovému el. napätiu, aby sa akumulátor nabil. V prípade, ak sa akumulátor úplne vybije, zariadenie sa automaticky vypne.

23-hodinová doba prehrávania na batériu pri nasledujúcich nastaveniach:

Zdroj: Bluetooth

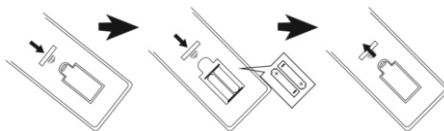
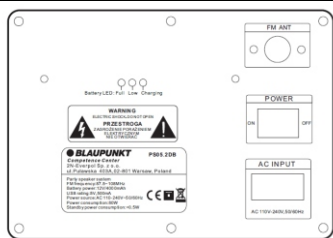
Režim ekvalizéra: Ploché,

Úroveň hlasitosti: 10

Nastavenie basov a výšok: 0

Osvetlenie: Vypnuté:

Super Bass: Stredná úroveň.



Kaugjuhtimisuldi patarei paigaldamine

Avage patareikambri kate ja sisestage 2 AAA patarei (komplektis); veenduge, et patarei polaarus oleks kambris graveeritud pluss ja miinus sümbolitega kooskõlas. Seejärel sulgege patareikambri kate.

Märkused:

- Kaugjuhtimisuldi tööulatus on puldi ja peakäsure vaheliste tõtete puudumisel 7 meetrit. Töötamise ajal tuleb pult suunata kuvari vasakus nurgas paikneva anduri suunas.
- Kaugjuhtimisuldi tundlikkus hakkab patarei tühjaks laadimisega vähenema. Puldi õigesti töötamiseks vahetage see uue vastu välja.
- Puldi pikemat aega mitte kasutamise korral palun patarei välja võtta.
- Patarei tuleb ära visata keskkonnasõbralikul viisi. Palun tutvuda utiliseerimist puudutavate kohalike võimude nõuetega.

Võebecná obsluha

- Zapnanie/vypnanie:** Keď chcete zariadenie zapnúť alebo vypnúť, stlačte tlačidlo pohotovostného režimu na hlavnom paneli, alebo tlačidlo On/Off na diaľkovom ovládači; Keď chcete vypnúť el. napätie, vytiahnite zástrčku z el. zásuvky.
- Voľba zdroja prehrávania:** Keď chcete prepnúť zdroj prehrávania medzi FM / Bluetooth / Line in / USB, stlačte tlačidlo zdroja prehrávania na hlavnom paneli, alebo stlačte tlačidlo FM, BT, LINE, USB na diaľkovom ovládači.
- Nastavovanie hlasitosti:** Keď chcete zväčšiť alebo zmenšiť úroveň hlasitosti, otáčajte ovládacím kolieskom hlasitosti na hlavnom paneli, alebo stlačte tlačidlo VOL +/- na diaľkovom ovládači.
- Nastavenie vysokých a nízkych tónov:** Keď chcete nastaviť farbu zvuku, presuňte dohora alebo dole jazdec nastavenia vysokých a nízkych tónov.
- Stlmenie zvuku:** Keď chcete stlmiť zvuk, stlačte tlačidlo MUTE na diaľkovom ovládači; Keď chcete zvuk opäť zapnúť (na úrovni pred stlmením), opäť stlačte toto tlačidlo.
- Nastavenie ekvalizéra:** Keď chcete nastaviť typ hudby ekvalizéra (Jazz / Classic / Flat / POP / ROCK / Super Bass), stlačte príslušné tlačidlo na diaľkovom ovládači.
- Prehrávanie/pauza:** Keď chcete spustiť alebo obnoviť prehrávanie hudby v režime Bluetooth / USB, stlačte tlačidlo prehrávanie/pauza.
- Opakovanie a náhodné prehrávanie:** Keď chcete zapnúť požadovaný spôsob prehrávania hudby, stlačte tlačidlo opakovania; Keď chcete zapnúť / vypnúť funkciu náhodného prehrávania (v režime USB), stlačte tlačidlo náhodného prehrávania.
- Osvetlenie:** Keď chcete prepnúť typ osvetlenia (medzi dostupnými ôsmimi efektami), alebo chcete osvetlenie vypnúť, stlačte tlačidlo osvetlenia.
- Reset:** Keď chcete obnoviť továrenské (predvolené) nastavenia, stlačte tlačidlo Reset.

Používanie FM rádia

Predtým, než začnete počúvať FM rádio, zariadenie presuňte bližšie k oknu, tzn. na miesto so silnejším rádiovým signálom. Zariadenie má integrovanú internú FM anténu. Následne ku konektoru FM antény, ktorý sa nachádza na zadnom paneli, pripojte dodanú vonkajšiu anténu, aby zariadenie mohlo prijímať rádiový signál.

- Automatické vyhľadávanie a programovanie rozhlasových staníc (automatický režim):** Automatický režim vyhľadávania a zapisovania dostupných rozhlasových staníc spustíte krátkym stlačením tlačidla prehrávania/pauzy na hlavnom paneli, alebo stlačením tlačidla vyhľadávania na diaľkovom ovládači. Keď sa skončí vyhľadávanie, zariadenie sa automaticky nastaví na prvú uloženú rozhlasovú stanicu. (Maximálny počet uložených rozhlasových staníc: 40)
- Voľba rozhlasovej stanice:** Keď chcete vybrať a začať prehrávať predchádzajúcu alebo nasledujúcu uloženú rozhlasovú stanicu, v režime rádia stlačte tlačidlo nasledujúce/predchádzajúce na hlavnom paneli alebo na diaľkovom ovládači.
- Nastavovanie rozhlasových staníc (ručný režim):** Keď chcete spustiť automatické vyhľadávanie, stlačte a na niekoľko sekúnd podržte tlačidlo nasledujúce/predchádzajúce, alebo krátko stlačte tlačidlo FF +/- na diaľkovom ovládači, nastavte požadovanú rozhlasovú stanicu, a následne stlačte tlačidlo pamäte, spustí sa režim ručného ukladania. Následne stlačte tlačidlo kanál +/- na diaľkovom ovládači, a vyberte požadované umiestnenie, opätovne stlačte tlačidlo pamäte, čím potvrdíte vašu voľbu a ukončíte nastavenie.

Prehrávanie USB

Zariadenie má funkciu prehrávania USB, ktorá umožňuje dekodovať a prehrávať súbory uložené na USB kľúčoch. Predtým, než začnete prehrávať súbory, najprv ich skopirujte (vo formáte MP3) na USB kľúč; Následne USB kľúč vložte do zariadenia, pretože režim prehrávania USB je dostupný iba vtedy, keď je USB kľúč správne pripojený (funkčný). Zariadenie následne automaticky vyhľadá a začne prehrávať súbory MP3.

Voľba súboru: Keď chcete vybrať predchádzajúci alebo nasledujúci súbor (skladbu), krátko stlačte tlačidlo predchádzajúce/nasledujúce; Keď chcete aktuálne prehrávanú skladbu presunúť dopredu, stlačte a podržte tlačidlo prevíjania; keď chcete opäť spustiť prehrávanie, pustite tlačidlo.

V režime USB sú dostupné nasledujúce funkcie: prehrávanie / pauza, stlmenie, opakovanie, ekvalizér, nastavenie vysokých a nízkych tónov ap. Podrobnosti sú uvedené v bode „Všeobecná obsluha“ v tejto príručke.

Poznámky:

a. Neodporúčame USB kľúče pripájať prostredníctvom predlžovacích USB káblov, pretože to môže mať negatívny vplyv na kvalitu prehrávania a spôsobovať šum, alebo prerušovanie prehrávania následkom straty dát počas ich zasielania z USB kľúča do zariadenia.

b. Nemôžeme zaručiť, že zariadenie dokáže dekodovať a prehrať všetky súbory v MP3 formáte.

c. Zariadenie podporuje USB kľúče s maximálnou kapacitou 32 GB.

d. V prípade niektorých USB kľúčov, niektorých modelov od niektorých výrobcov, spustenie automatického prehrávania môže trvať dlhšie; Pripomíname, že to nie je chyba/porucha.

Používanie Bluetooth

Tento výrobok má funkciu Bluetooth, ktorá umožňuje bezdrôtovo prehrávať súbory z iného zariadenia pripojeného prostredníctvom Bluetooth (ako napr. chytrý telefón, tablet ap.).

1. Keď chcete aktivovať režim Bluetooth, niekoľkokrát stlačte tlačidlo zdroja, kým sa na displeji nezobrazí text „BLUE“, čo znamená, že zariadenie je pripravené na párovanie.

2. V externom zariadení aktivujte funkciu Bluetooth a vyhľadajte dostupné zariadenia (postupujte podľa pokynov uvedených v príručke daného zariadenia), a následne prejdite na zoznam dostupných zariadení Bluetooth. Vyberte zariadenie "BP PS05.2DB", text "BLUE" na displeji začne blikať (prebieha párovanie), prestane po úspešnom spárovaní.

3. Na externom zariadení, pripojenom prostredníctvom Bluetooth, spustite prehrávanie, zvuk sa následne začne prehrávať na reproduktoroch zariadenia.

4. Keď chcete počas prehrávania vybrať predchádzajúci alebo nasledujúci súbor, stlačte tlačidlo predchádzajúce/nasledujúce.

5. V režime Bluetooth sú dostupné nasledujúce funkcie: prehrávanie/pauza, stlmenie, ekvalizér, nastavenie vysokých a nízkych tónov. Podrobnosti sú uvedené v bode „Všeobecná obsluha“ v tejto príručke.

Poznámky:

a. Nedá sa zaručiť, že sa zariadenie bude dať spárovať so všetkými zariadeniami Bluetooth, vzhľadom na rôzne konštrukcie (štandardy) rôznych výrobcov.

b. Dosah Bluetooth je cca 10 metrov (bez prekážok medzi zariadeniami)

c. Zariadenie môže byť v jednej chvíli spárované iba s jedným zariadením Bluetooth.

d. Keď počas prehrávania prostredníctvom Bluetooth prijmete prichádzajúci hovor; Prehrávanie sa na chvíľu zastaví a obnoví sa po skončení hovoru;

e. Keď chcete zariadenie spárovať s iným zariadením, najprv zatvorte aktuálne pripojenie prostredníctvom Bluetooth stlačením tlačidla párovania na diaľkovom ovládači.

Používanie AUX IN

Keď chcete pripojiť a prehrávať skladby z iného prehrávača alebo zariadenia, postupujte podľa nasledujúcich pokynov:

Použite audio kábel, zastrčte ho do zdieľky AUX IN na hornom paneli zariadenia, a spojte ho s priamym výstupom alebo zdieľkou slúchadiel prehrávača, ako napr. MP3 prehrávača, CD, DVD, mixážneho pultu ap. Následne na externom prehrávači vyberte súbor a spustite prehrávanie, zvuk zaznie na tomto zariadení.

V režime AUX-IN prehrávanie sa kontroluje predovšetkým vonkajším prehrávačom. Toto zariadenie umožňuje nastavovať (kontrolovať) hlasnosť, stlmenie zvuku, ako aj úroveň nízkych a vysokých tónov.

Karaoke

Zariadenie má v súprave 1 bezdrôtový mikrofón a 2 zásuvky pre káblové mikrofóny, ktoré môžete použiť na spievanie počas hudobných večierkov. Pred použitím dodaného bezdrôtového mikrofónu otvorte komoru batérií, vložte 2 batérie typu AA (nie sú v súprave), zachovajte pritom správnu polarizáciu +/-, následne komoru zatvorte a môžete mikrofón zapnúť. Zariadenie sa s mikrofónom automaticky spája. Otáčaním kolieska hlasitosti mikrofónu na hornom paneli nastavte požadovanú hlasnosť mikrofónu. Mikrofón je pripravený na použitie.

Káblový mikrofón (nie je súčasťou súpravy) pripojte do 6,3 mm zdieľky, zapnite mikrofón, a môžete začať spievať.

Tipy:

a. Ak mikrofón používate na karaoke, môžete pomocou príslušných gombíkov nastaviť vysoké tóny / nízke tóny / echo.

b. Reproduktor môže vydávať hlasný alebo deformovaný zvuk, ak sú úroveň hlasitosti, nastavenie vysokých a nízkych tónov, alebo funkcia echa, nastavené na príliš vysokých úrovniach. Nie je to porucha. Zmeníte úroveň vyššie spomenutých nastavení a následne vypnite a zapnite mikrofón.

c. Toto zariadenie má funkciu uprednostňovania mikrofónu. Ak na diaľkovom ovládači aktivujete túto funkciu, hlas karaoke bude prehraný na reproduktoroch a bude uprednostnený (bez hudobného pozadia); po skončení spievania sa prehrávanie spustí automaticky.

d. Môžete súčasne používať funkciu karaoke a počúvať hudbu; V prípade, ak potrebujete zvýšiť hlasnosť karaoke a znížiť hlasnosť hudby na pozadí, môžete príslušnými ovládacími kolieskami osobitne nastaviť hlasnosť mikrofónu a úroveň reproduktora.

e. Keď chcete mikrofón položiť vedľa reproduktora, bezpodmienečne ho najprv vypnite, v opačnom prípade môže vzniknúť značný hluk.

Riešenie problémov

1. Reproduktor sa nechce zapnúť.

a. Skontrolujte, či je zariadenie správne pripojené k el. napätiu.

2. Žiadny zvuk.

a. Skúste prekrútiť ovládacie koliesko hlasitosti, skontrolujte zdroj prehrávania.

b. Ak sa problém nevyrieši, kontaktujte autorizovaný servis.

3. Zvuk je deformovaný.

a. Skúste prispôsobiť a prehrávajte pri nižšej úrovni hlasitosti.

b. Skontrolujte nastavenie vysokých a nízkych tónov.

4. Počas počúvania FM rádia počuť šum.

a. Skúste zariadenie postaviť na inom mieste, kde je lepší príjem rozhlasového signálu.

b. Opätovne spustite vyhľadávanie, alebo vyberte inú rozhlasovú stanicu.

Špecifikácia

Zdroj el. napätia: AC 110-240 V, 50/60 Hz.

Frekvencia FM: 87,5 – 108,0 MHz.

USB port: 5 V, 500mA, verzia 2.0, podporovaná kapacita USB kľúčov do 32 GB.

Bluetooth V2.1 + EDR, dosah do 10 m

Výstupný výkon RMS: 2 x 30 W.

Nastavenie nízkych a vysokých tónov: -9dB ~ + 9dB.

Mikrofón: vstup 2 x 6,3 mm, pripojenie káblového mikrofónu. 1 x bezdrôtový mikrofón

Akumulátor: 12 V / 4000 mAh; trvanie nabíjania: 3 ~ 4 hod.; trvanie prehrávania: 2 ~ 3 hod.

Príkon: 80 W

Odber prúdu v pohotovostnom režime: <0,5 W.

(Vyššie uvedená špecifikácia sa môže zmeniť bez predchádzajúceho upozornenia.)

FONTOS BIZTONSÁGI UTASÍTÁSOK


FIGYELEM!
ÁRAMÜTÉS VESZÉLYE
NE NYISSA KI!


Figyelem:

Az áramütés kockázatának csökkentése érdekében, ne távolítsa el a fedelet vagy hátra alkatrészeket. A készülékben nincs felhasználó által javítható alkatrészek. Forduljon képzett szakemberhez

A szimbólumok magyarázata:


Villám szimbólum elhelyezett egyenlő oldalú háromszögben figyelmezteti a felhasználót a szigetetlen "veszélyes feszültségre" a készülékben, amely elérheti a fenyegető áramütés méretét.ü



Felkiáltójel szimbólum elhelyezett egyenlő oldalú háromszögben figyelmezteti a felhasználót, hogy most az üzemeltetési és karbantartásról információk megjelennek a dokumentációban, a készülékhez hozzáadott.

Kérjük, figyelmesen olvassa el az alábbi biztonsági utasításokat, és ezeket a későbbiekben felmerülő kérdések esetére is tartsa meg. Vegye figyelembe a használati utasításban és a készülék hátoldalán található figyelmeztetéseket és utasításokat.

Fontos információk

- Tartsa meg a használati útmutatók későbbi kérdések esetében
- Kerülje a készülék vízzel vagy nedvességgel történő érintkezését
- Ne telepítse a készüléket az alábbi helyeken:
- Kerülje a berendezés közvetlen napfényvel vagy szokatlanul sok porral történő érintkezését.
- Ne helyezzen semmilyen más melegítő készülékek a berendezés mellett.
- A készülék helye ne legyen folyamatosan rezgő helyeken.
- A készülék helye ne legyen magas páratartalmú helyiségben.
- Ne helyezzen nyílt láng vagy gyertyák mellett.
- Berendezések csak kézikönyv szerint használható.
- A berendezés bekapcsolása előtt, győződjön meg róla, hogy az áramellátás megfelelően csatlakozik.
- USB memóriát közvetlenül bekapcsolható, 25 cm-es kábellel.

A hátoldalán és a készülék oldalán található légnyelések maradjanak szabadon. Soha ne próbálja meg a hibás készüléket megjavítani, minden esetben forduljon ügyfélszolgálatához. Ne nyissa fel a készüléket - ezt csak szakember teheti meg.

BIZTONSÁGI UTASÍTÁSOK

1. Olvassa el az utasításokat - figyelmesen olvassa el a biztonsági utasításokat.
2. Tartsa meg az útmutatót - későbbiekben felmerülő kérdések esetére tartsa meg a biztonsági utasításokat.
3. Vegye figyelembe a figyelmeztetéseket - Vegye figyelembe a használati figyelmeztetéseket és utasításokat.
4. Vegye figyelembe az utasításokat - Vegye figyelembe a használati figyelmeztetéseket és utasításokat.
5. Üzembevétel - Utasítások szerint ügyeljen.
6. Áramforrás - A készüléket csatlakoztassa csak a normál hálózati feszültséghez. Ha a felhasználó nem biztos abban, milyen típusú tápegysége van a házban, akkor forduljon a forgalmazóhoz vagy a helyi áramszolgáltatóhoz.
7. Földelés vagy teljesítmény polarizációja – a földelésre nincs szükség. Győződjön meg arról, hogy a csatlakozó teljesen be van helyezve a fali csatlakozóba vagy kiterjesztésébe. A berendezés egyes verziói egy polarizált csatlakozója van (az egyik pótus szélesebb). Ez a dugó lehet illeszteni a fali aljzatba csak egyféle képpen. Ez egy biztonsági funkció. Ha nem lehet bedugni a dugót a konnektorba, próbálja fordítani őt. Ha a dugó még mindig nem illeszkedik az aljzatba, forduljon villanyszerelőhöz, hogy cseréltesse ki. Ne távolítsa el a biztonságot a polarizált dugóról. Amikor használ hosszabbítót vagy a hálózati kábel ami nem mellékelte a készülékhez, megfelelő dugaszolhatóra és az adott országban biztonsági ellenőrzésre szüksége van.
8. Tápkábel biztosítása - Úgy helyezze el a hálózati kábelt, hogy abban senki ne botoljon meg. Fordítson különös figyelmet a dugaszolhatóra, a hálózati csatlakozóra és ezekre a helyekre ahol a kábelek vezetnek ki a készüléket.
9. Túlterhelés - ne terhelje túl a konnektorokat, hosszabbítót, és elektromos elosztók, mivel ez tüzet vagy áramütést okozhat.
10. Szellőzés - A készüléket szellőztetni kell. Ne tegye a készüléket puha felületre, pl. takaróra, szőnyegre vagy függönyök, falikárpit közelébe, mert a szellőző nyílások takarásba kerülhetnek, ezáltal a szükséges levegőcsere nem valósul meg.
11. Hőség - Ne helyezze a készüléket fűtőtestek vagy más hőt sugárzó források közelébe. Kerülje a berendezés közvetlen napfényvel. Nyílt láng, például gyertyák ne kerüljenek a készülékre.
12. Víz és nedvesség - Tűveszély és egy esetleges áramütés elkerülése végett, a készüléket ne tegye ki esőnek vagy nedvességnek. A berendezést ne használja fürdőkádak, úszómedencék vagy fröcskölő vízforrás közelében.
13. Tárgyak és folyadékok a készülék - Idegen tárgyak nem tegyen be a készülékbe mert feszültség alatt lévő pontokat és alkatrészeket érinthetnek, ami tüzet vagy áramütést okozhat. Ne helyezzen folyadékkal telt tárolóedényeket a készülékre.
14. Tisztítás - A tisztítás előtt mindig húzza ki a készüléket a fali csatlakozóból. Port száraz ruhával távolítsa el. Ha a tisztításhoz aeroszolt használ, ne irányítsa közvetlenül a készülékre, de a ruhára. Ügyeljen arra, hogy ne sértse meg a meghajtó egységeket.
15. Kiegészítő berendezések - Ne használjon olyan tartozékokat, amelyek nem a gyártó által jóváhagyott, mivel azok veszélyt jelentenek.
16. Tartozékok - Ne helyezze a készüléket instabil kocsira, állványra, konzolra vagy asztalra. A készüléket megsérülheti és súlyos sérülést okozhat egy gyermek vagy egy felnőtt számára. Csak a gyártó által jóváhagyott vagy készülékkel eladó kocsit, állványt, konzolt vagy használható. A készüléket gyártói útmutató szerint felszerelhető.

17. A berendezés áthelyezése - a kocsin levő készüléket nagyon óvatosan mozdulni kell. Gyors fékezés, túlzott erőltetés és az egyenetlen felületek miatt felborulhat a készülék.
18. A berendezést nem használata - Ha a berendezést hosszabb ideig nem használja, áramtalanítsa azt.
19. Szervíz - Soha ne próbálja meg a hibás készüléket megjavítani, minden esetben forduljon ügyfélszolgálatához. Ne nyissa fel a készüléket - ezt csak szakember teheti meg. A karbantartási munkákat hagyja szakképzett személyzetre. Egyéb esetekben magát és másokat is veszélyeztet.
20. Ha a berendezést hosszabb ideig nem használja, áramtalanítsa azt. Ha a készülék csatlakoztatva van egy áramforráshoz, ez készenléti üzemmódban, és nem teljesen kizár.
21. Pótkatrészek - Alkatrészek cseréjekor ellenőrizze, hogy a szolgálati munkavállaló használt pótkatrészeket a gyártó által meghatározott, vagy ugyanilyenek, mint az eredeti rész. Nem engedélyezett részek esetében tűz, áramütés vagy egyéb veszélyes helyzet van.
22. Főbiztosítékok - Állandó készülék biztosításához megfelelő típusú és paraméterű biztosítókat használni kell. Biztosítékok paramétereit a készüléken vannak.
23. Ne növelje a hangerőt a kis hangerőjű dal vagy a bemenő audiojel hiányában mellett. Ellenkező esetben maradandó halláskárosodáshoz vezethet.
24. A villázzal történő kicsatlakoztatáshoz a villás dugót teljesen nyomja ki a konnektorból. A aljzat vagy kábel bemeneti teljesítmény a készülék mindig elérhetőnek kell lenni a használat során a termék.
25. A készüléket a konnektor vagy hosszabbító közelében el kell helyezni, oly módon, hogy mindig rendelkezésre áll.
26. A készülék maximális környezeti hőmérséklete 35 °C.
27. Irányelvek az elektrosztatikus kislésről - ha a készülék működése zavarban van az elektrosztatikus kislés miatt, ki kell kapcsolni és újrapcsolni vagy más helyre mozdulni.
28. Elem
 - a. Ne helyezze a készüléket fűtőtestek vagy más hő sugárzó források közelébe. Kerülje a berendezés közvetlen napfényrel.
 - b. Az akkumulátor kidobása alatt, fordítson figyelmet a környezetvédelemre.
 - c. Vigyázat elemek használatára vonatkozó: annak érdekében, hogy megakadályozza az elem szivárgását amely sérülést vagy kárt okozhat:
 - az elemek elhelyezése alatt, fordítson figyelmet a polaritásra (+ és -)
 - ne használjon különböző elemeket egyszerre - régi és új normál és alkalikus stb.
 - Vegye ki az elemeket a készülékből, ha nem használja hosszabb időre.

ERP2-ről megjegyzések (energiával kapcsolatos eszközök)

Ez a készülék öko projektrel megfelel a 2. szakasz bizottsági rendelet (EC) No 1275/2008 irányelvet átültető 2009/125/EK energiafogyasztásról a fogyatékkal élő és működő készenléti üzemmódban elektronikus eszközökről iródban és házban. 15 perc a bevételi jel nélkül után, a készülék automatikusan készenléti üzemmódba átkapcsol.

Információk a normál működésbe helyezéséről az útmutatóban megtalálható.

Fontos információk

Ez a készülék fel van szerelve egy energiatakarékos üzemmóddal: 15 perc a bevételi jel nélkül után, a készülék automatikusan készenléti üzemmódba átkapcsol (ERP2 szabvány). Meg kell jegyezni, hogy az alacsony hangerő az lehet ismerni "nincs hangként": ez befolyásolhatja a jel elismerésére és automatikusan készenléti üzemmódba kapcsolására. Ebben az esetben vissza kell állítani az audiojel adása vagy növelni a hangerőt a hangforrásban (MP3-lejátszó, stb). Ha a probléma továbbra is fennáll, lépjen kapcsolatba a helyi márkaszervizzel.

FIGYELEM

A készüléket nem használhatják olyan személyek (beleértve a gyerekeket), akik testi, érzékszervi vagy szellemi fogyatékoságtól szenvednek és az elégtelen tudás és tapasztalatú is, ha a felelős személy nem felügyeli és nem kapta meg elég információ a készülékről. Felnőttek jelenléte szükséges van ha a gyerekek használják a készüléket. Ez biztosítja a biztonságos használatát.

1. Soha ne hagyja a gépet felügyelet nélkül! Kapcsolja ki készüléket, ha nem használ, bár egy rövid ideig.
2. Ne használja a készüléket egy külső órajel időzítővel, vagy egy külön távvezérlő rendszerrel.
3. Kockázatoknak elkerülése érdekében a tápkábel megsérülése esetében, a cserét gyártónak kell végezni, meghatározott szolgáltató, vagy más személy aki rendelkezik megfelelő képesítéssel.
4. Mielőtt használatba venné a készüléket, ellenőrizze, hogy a hálózati feszültség megegyezik a feszültséggel előforduló helyi hálózatban.
5. Ne tegye a készüléket puha felületre, pl. takaróra, szőnyegre vagy függönyök, falikárpit közelébe, mert a szellőző nyílások takarásba kerülhetnek, ezáltal a szükséges levegőcsere nem valósul meg. Győződjön meg arról, hogy a készüléktől legalább 20 cm szabad hely, és a két oldalán - legalább 5 cm-t.
6. Amennyiben a készülékbe idegen anyag, test vagy folyadék kerül, ne helyezzen folyadékkal telt tárolóedényeket, pl. virágvizet a készülékre.
7. Tűzveszély és egy esetleges áramütés elkerülése végett, a készüléket ne tegye ki esőnek vagy nedvességnek.
8. A berendezést ne használja fürdőáradak, úszómedencék vagy fröcskölő vízforrás közelében. Tartsa meg stabil helyeken.
9. Ne tegye ki erős mágneses mezőbe.
10. Ne helyezze a készüléket közvetlenül az erősítőn vagy vevőn.
11. Ne helyezze a készüléket párály helyen, mert a nedvességnek hátrányos hatása van az elektromos alkatrészekre.
12. A készülék hozása a hideg helyről meleg vagy nedves helyre páralecsapódás a lencsén a lejátszó belsejében történhet. Ebben az esetben a készülék nem helyesen működhet. Hagyja a gépet bekapcsolva körülbelül egy óráig, hogy lehetővé tegye a nedvesség párolgást.
13. Ne tisztítsa a készüléket kémiai oldószerekkel, a készülék lakk megsemmisítése miatt. Az eszköz tiszta, száraz vagy enyhén nedves ruhával tisztítható.

14. A konnektorból történő kihúzás esetén ne a kábelt, hanem a villásdugót húzza ki.
15. A készülék működik a bekapcsolt tévé mellett, ez a zaj a képernyőn forrása lehet. A TV adás hullámaintól függő. Azt nem jelenti hibás se tévé se rádió működését. Ebben az esetben távolítsa a készüléket a tévétől.
16. A hálózati csatlakozó a hálózathoz kihúzásához használható. Fontos, hogy mindig elérhető.
17. Annak érdekében, hogy a lézerfej tiszta legyen, nem szabad érinteni és midig be kell zárni a lejtátszósóbát.
18. Lejtátszás közben a lemez nagy sebességgel forog. NEM SZABAD felemelni vagy mozdulni a készüléket a lejtátszás alatt. Ez károsíthatja a lemezt, vagy az eszközt.
19. A készülék mozgatása előtt ki kell venni a lemezt és bezárni a lejtátszósóbát. Ezután kapcsolja ki a készüléket, és húzza ki a tápkábelt. A készüléket, a lemezzel bent, károsíthatja a lemezt és a készüléket.
20. A lemez lejtátszása után helyezze el a csomagban. Ne tegye ki a lemezt közvetlen napfényre és hőforrásra. Ne hagyja lemezeket egy parkolt autó belsejében.
21. Ne érintse meg a címke nélküli lemez oldalát. A lemezt a szélénél fogja, hogy ne hagyja ujjlenyomatokat. Por, ujjlenyomatok, karcolások üzemzavart okozhatnak. Ne szereljen cetliket vagy szalagot a lemezen.
22. Az lemez tiszta, száraz ruhával tisztítható. Úgy kezdődik tisztítás lineárisan a városközponttól.
23. Hogy megakadályozzák az esetleges halláskárosodást, ne hallgass hangosan zenét egy hosszú ideig.



FIGYELEM

Megfelelőség



A Blaupunkt Competence Center 2N-Everpol Sp. z o.o. kijelenti, hogy ez a készülék megfelel a 2014/53/EU irányelv alapvető követelményeink és más vonatkozó rendelkezéseinek. A megfelelőségi nyilatkozat a termék honlapjáról szereshető be: www.blaupunkt.com.

Felölös fél: 2N-Everpol Sp. z o.o., Puławska 403A, 02-801 Varsó, Lengyelország, telefon: +48 22 688 08 00, e-mail: info@everpol.pl



A termék kiváló minőségű anyagokból és alkatrészekből áll, újrahasznosíthatók és újra felhasználhatók.



Ha a készüléken az áthúzott szeméttároló van, azt jelenti, hogy a termék 2012/19/EU számú európai uniós irányelv megkívánja. Kérjük, olvassa el a követelmények a helyi rendszerről a hulladék elektromossal és elektronikus berendezésekkel kapcsolatos. Helyi követelmények szerint csinálni kell. Ne dobja a terméket a normál háztartási szeméttel. Megfelelő a régi termék ártalmatlanítása segít megelőzni a lehetséges negatív következményeket a környezetre és az emberi egészségre.



A készülék fel van szerelve akkumulátorral ami megfelel a 2006/66/EC európai irányelv követelményeinek. Ne dobja az elemet a normál háztartási szeméttel. Kérjük, olvassa el a követelmények a helyi rendszerről a hulladék elektromossal és elektronikus berendezésekkel kapcsolatos. Helyi követelmények szerint csinálni kell. Ne dobja a terméket a normál háztartási szeméttel.

Információk a környezetvédelemlről

A csomag csak a szükséges elemeket tartalmaz. Minden erőfeszítést tettek, hogy a csomagolóanyag három összetevője könnyen elkülönített legyen: karton (doboz), polisztirol (belső biztonság) és polietilén (zacskó, védő lap). A készülék olyan anyagból készült, melyek újrahasznosíthatók és szétszerelhetőek. Kérjük, olvassa el a követelmények a helyi rendszerről a hulladék elektromossal és elektronikus berendezésekkel kapcsolatos.

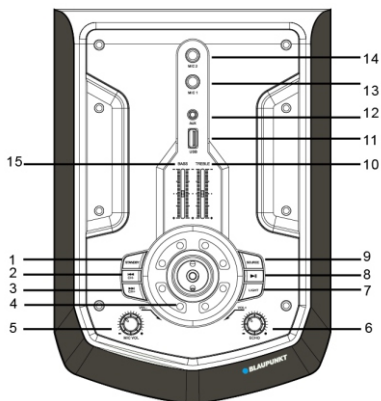
Felvéltelhez és lejtátszáshoz engedélyre vam szükség. Lásd a szerzői jogi törvényt, valamint az előadók / művészek jogairól.



A Bluetooth® szó márkajelzés és logók a Bluetooth SIG, Inc. bejegyzett védjegyei, és ezen márkajelzéseket engedéllyel használjuk. Más védjegyek és márkanevek a vonatkozó tulajdonoshoz tartoznak.

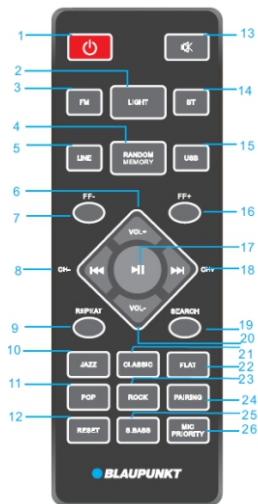
Köszönjük, hogy megvásárolta készülékünket. Használat előtt kérjük, figyelmesen olvassa el a jelen útmutatót. A használati útmutatót későbbi igénybevétel céljából őrizze meg.

Vezérlőpanel



- 1 - Készüléti gomb (on/off);
- 2,3- Előző / Következő / csatorna - / csatorna +;
- 4- Hangerő-szabályozás;
- 5- Mikrofon hangerejének forgatógombja;
- 6- Mikrofon visszhangot beállító forgatógomb;
- 7- Diszkofény
- 8- Lejátszás / szünet;
- 9- Forrás;
- 10,15- magas és mély hangok szabályozása;
- 11 - USB aljzat;
- 12- AUX IN csatlakozó;
- 13,14- Mikrofon bemenet 1 és 2;

Távírányító



- 1- Bekapcsológomb;
- 2- Diszkofény bekapcsolása/kikapcsolása;
- 3,5,14,15- FM / LINE IN / Bluetooth / USB gomb;
- 4- Véletlenszerű lejátszás bekapcsolása/kikapcsolása /memória gomb;
- 6,20 Hangerő +/-;
- 7,16- Gyors tekerés gombja FF - / +;
- 8,18- Előző és következő, csatorna - / + gomb;
- 9- Ismétlés gomb (egy zeneszám ismétlése / összes ismétlése / kikapcsolva);
- 10,11,21,22,23- EQ módok (jazz / pop / klasszikus / lapos / rock)
- 12- Reset gomb;
- 13- Némítás gomb;
- 17- Lejátszás / szünet;
- 19- Keresés gomb;
- 24- Párosítás gomb
- 25 - Szuper Bassus gomb;
- 26 - Mikrofon prioritás gomb;

Áramellátás

Kérjük, ellenőrizze, hogy a tápegység megfelel-e a névleges feszültségre vonatkozó követelményeknek, melyek a hátlapon találhatóak. Amennyiben nem egyezik meg, kérjük, forduljon a forgalmazóhoz vagy a szervizhez.

A tápkábel anya végét helyezze be a készüléken található aljzatba, majd a dugót helyezze a fali konnectorba az áramellátást biztosítása végett. PKapcsolja be a készüléket a hátsó panelen található bekapcsológombbal. Nyomja meg a felső panelen vagy a távirányítón található bekapcsológombot a kijelző bekapcsolásához, mely a megfelelő tápellátást igazolja vissza és lehetővé teszi a készülék további használatát.

Akkumulátoros működetés és töltés: A készülék beépített akkumulátorral (12 V / 4000 mAh) rendelkezik, amely lehetővé teszi a zenelejátszást anélkül, hogy a készüléket az elektromos hálózathoz kellene csatlakoztatni. Az akkumulátor akkor kerül feltöltésre, amikor a készülék csatlakoztatva van az elektromos hálózathoz; töltés közben a hátsó panelen található LED lámpa pirosan fog világítani, mely a teljes feltöltést követően kék színre vált; az alacsony töltöttséget a LED lámpa sárga színű világitása jelzi. Ilyenkor fel kell tölteni a készüléket. Az akkumulátor lemerülésekor a hangszóró automatikusan kikapcsol.

23 órás akkumulátoros játékidő a következő beállításokkal:

Forrás: Forrás: Bluetooth

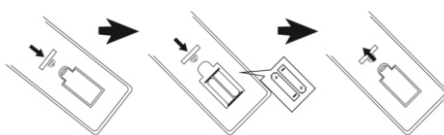
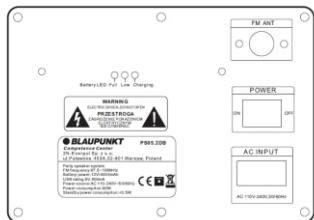
Hangerőszint: 10

Világítás: Kikapcsolva

Egyenlítő mód: Egyenlítő: Flat,

Bass & Treble beállítások: 0

Super Bass: Középszint.



Távírányító elemének behelyezése

Nyissa ki az elemtartó fedelét és helyezzen be 2 db. AAA elemet (a készlet tartalmazza); ügyeljen arra, hogy az elemek pólusai megfeleljenek az elemtartóban dombornyomott szimbólumoknak. Ezt követően zárja be az elemtartó fedelét.

Megjegyzések:

- A távírányító működési távolsága 7 méter (készülékek közötti akadály nélkül). A távírányítót használat közben irányítsa a kijelző bal felső sarkában található érzékelő felé.
- A távírányító érzékenysége az elem merülésével arányosan fog csökkenni. A távírányító helyes működésének helyreállításához helyezzen be egy új elemet.
- Ha a távírányító hosszabb ideig használaton kívül marad, vegye ki belőle az elemet.
- Az elemet környezetudatos módon hasznosítsa újra. Tájékozódjon a helyi, újrahasonosításra vonatkozó előírásokról.

Általános kezelés

- Bekapcsolás / kikapcsolás:** a készülék be- és kikapcsolásához nyomja meg a készenléti gombot a felső panelen, vagy a bekapcsológombot a távírányítón; A tápellátás kikapcsolásához húzza ki a dugót a konnektorból.
- Lejátszás forrásának kiválasztása:** Az FM / Bluetooth / Line-in / USB források közötti átkapcsoláshoz nyomja meg a forrás kiválasztása gombot a felső panelen, vagy a távírányítón az FM, BT, LINE, USB gombok egyikét.
- Hangerősség szabályozás:** A hangerő növeléséhez vagy csökkentéséhez forgassa el a hangerősség szabályozó gombot a felső panelen, vagy nyomja meg a VOL +/- gombot a távírányítón.
- Magas és mély hangok szabályozása:** A kimeneti hang szabályozásához tolja fel vagy le a mély/magas hangok beállító csúszkáját.
- Hang némítás:** A MUTE gomb megnyomása a távírányítón elnémítja a hangot; A gomb ismételt megnyomása helyreállítja az előzőleg beállított hangerőt.
- Hangszínszabályzó beállításai:** A távírányító megfelelő gombjának megnyomása lehetővé teszi a Jazz / Klasszikus / Flat / POP / ROCK / Super Bass közötti hangszínszabályozást.
- Lejátszás / Szüneteltetés:** nyomja meg a lejátszás / szünet gombot a zenelejátszás szüneteltetéséhez vagy folytatásához Bluetooth / USB módban.
- Ismétlés és véletlenszerű lejátszás:** a kívánt ismétlési mód bekapcsolásához nyomja meg az ismétlés gombot; Nyomja meg a véletlenszerű lejátszás gombot a véletlenszerű lejátszás bekapcsolásához/kikapcsolásához USB módban.
- Világítás:** A 8 féle világítás bekapcsolásához, vagy a világítás kikapcsolásához a világítás gombot nyomogassa.
- Reset:** a készülék gyári beállításainak visszaállításához a reset gombot nyomja meg a távírányítón.

FM rádió kezelése

FM rádió hallgatása előtt helyezze a készüléket ablak közelébe az FM jel jobb vétele érdekében. A készülék egy beépített FM antennával rendelkezik. Ezt követően a rádióadások vétele érdekében csatlakoztassa a mellékelt külső antennát a hátsó panelen található FM aljzathoz.

- Rádióállomások automatikus szkennelése és programozása (automatikus üzemmód):** a felső panelen található lejátszás / szünet gomb, vagy a távírányítón található keresés gomb megnyomása elindítja az automatikus szkennelést és az elérhető rádióállomások elmentését. A szkennelés után a készülék automatikusan elkezd játszani az első elmentett rádióállomást. (Az elmentett rádióállomások maximális száma: 40)
- Rádióállomások kiválasztása** rádió üzemmódban az előző vagy következő beprogramozott rádióállomás lejátszásához nyomja meg a következő / előző gombot a felső panelen vagy a távírányítón,
- Rádióállomások elmentése (kézi üzemmód):** az automatikus szkenneléshez nyomja meg és néhány másodpercig tartsa lenyomva a következő / előző gombot, vagy a kedvenc rádióállomás behangolásához nyomja meg röviden az FF +/- gombot a távírányítón, majd a manuális programozás bekapcsolásához nyomja meg a memória gombot, ezt követően pedig nyomja meg a csatorna +/- gombot a távírányítón a rádióállomás sávzélességének pontos kiválasztásához. Nyomja meg ismét a memória gombot a programozás jóváhagyása és befejezése érdekében.

USB-lejátszás

A készülék rendelkezik egy USB-lejátszási funkcióval, mely képes zenét dekódolni és lejátszani hozható USB-tárhelyről. A lejátszás megkezdése előtt másolja át az MP3 formátumú zenefájlt az USB-tárhelyre; Csatlakoztassa az USB-tárhelyet a készülékhez, mivel az USB lejátszási mód csak az USB-tárhely felismerése után válik elérhetővé. Ezután a készülék automatikusan érzékeli és lejátsza az MP3 zenefájlokat.

Zeneszám kiválasztása: röviden nyomja meg az előző / következő gombot az előző vagy a következő zeneszám lejátszásághoz; Nyomja meg és tartsa lenyomva a gyors tekerés gombot a gyors előretekeréshez, majd engedje fel a lejátszás folytatásához.

USB módban a következő funkciók érhetőek el: lejátszás / szünet, némítás, ismétlés, hangszínszabályzó, magas / mély hangok beállítása stb. A részletek a jelen utasítás „Általános kezelés” fejezetében találhatóak meg.

Megjegyzések:

- Nem ajánlott az USB-tárhely csatlakoztatása USB hosszabbítón keresztül, mivel ez negatív hatással lehet a lejátszás minőségére és zajt, vagy szaggatott lejátszást idézhet elő adatvesztés miatt a fájlátvitel során.
- Nem garantálható minden MP3 formátumú zeneszám dekódolása és lejátszása.
- A készülék maximum 32 GB méretű tárhelyet képes kezelni.
- Az egyes USB-tárhelyez automatikus lejátszása típusától és gyártótól függően több időt vehet igénybe; Szem előtt kell tartani, hogy ez nem jelent meghibásodást.

Bluetooth üzemeltetése

A termék Bluetooth funkcióval rendelkezik, mely lehetővé teszi a vezeték nélküli zenelejátszást egy másik Bluetooth eszközzel (pl. okostelefon, tablet stb.).

- Nyomja meg néhányszor a forrás gombot a Bluetooth üzemmód bekapcsolásához. A kijelzőn a „BLUE” felirat jelenik meg, mely azt jelzi, hogy a készülék készen áll a párosításra.
- Aktiválja a Bluetooth funkciót a külső eszközben és keressen rá az elérhető készülékekre (lásd a külső eszköz használati útmutatója), majd nézz meg a találati listát. Válassza ki a „BP PS05.2DB” pozíciót, a kijelzőn villogó „BLUE” felirat a sikeres párosítást követően abbahagyja a villogást.
- Válassza ki és játssza le a külső Bluetooth készüléken a kívánt zeneszámot. A hang a termék hangszórójából fog szólni.
- Nyomja meg a következő / előző gombot az előző vagy a következő zeneszám lejátszásához.
- Bluetooth módban a lejátszás / szünet, némítás, hangszínszabályozás, magas és a mély hangok beállítása funkciók érhetőek el. A részletek a jelen utasítás „Általános kezelés” fejezetében találhatóak meg.

Megjegyzések:

- Nem garantált a megfelelő csatlakozás mindegyik Bluetooth készülékkel a különböző tervezésre és márkára való tekintettel.
- A Bluetooth működési távolsága akadályok nélkül 10 méter.
- A készülék egyszerre egy Bluetooth készülékkel tud csatlakozni és zenét lejátszani.
- Bluetooth lejátszás közben bejövő hívás esetén; A zenelejátszás szüneteltetésre kerül és a beszélgetés befejezése után kerül folytatásra.
- A jelenlegi Bluetooth kapcsolat megszakításához és egy másik készülékkel való csatlakozáshoz a távirányítón a párosítást gombot nyomja meg.

AUX IN mód

Más lejátszóról vagy erősítőről történő lejátszás érdekében az alábbi utasításnak megfelelően kell eljárni:

Az audio kábel segítségével csatlakoztassa a lejátszó (pl. MP3 lejátszó, CD, DVD, keverő stb.) vezetékes kimenetét vagy hangszóró kimenetét a felső panelen található AUX IN aljzathoz. Ezt követően válassza ki és játssza le a zeneszámot a külső lejátszón, a hang a termék hangszóróiból fog szólni.

AUX-IN üzemmódban a lejátszás vezérlése a külső készüléken történik. Jelen eszközön a hangerő-szabályozás, a némítás és magas-mély hangok beállítása használható.

Karaoke

A készülék 1 vezeték nélküli mikrofont tartalmaz, valamint 2 vezetékes mikrofon bemenettel van ellátva, amelyek lehetővé teszik zeneszámok éneklését zenés összejövetelek során. A készletben megtalálható mikrofon használata előtt nyissa ki az elemtartót, helyezzen be 2 db. AA elemet (a készlet nem tartalmazza) a +/- polaritásnak megfelelően, majd zárja be az elemtartót és kapcsolja be a mikrofont. A készülék automatikusan csatlakozik a mikrofonnal. Állítsa be a mikrofon kívánt hangerejét a felső panelen található mikrofon hangerősség beállító gombbal. A mikrofon használatra kész.

Csatlakoztassa a vezetékes mikrofont (a készlet nem tartalmazza) a 6,3 mm-es aljzathoz, kapcsolja be a mikrofont és kezdje el az éneklést.

Tippek:

- Ha a mikrofont Karaoke funkcióra használja a megfelelő forgatógombokkal be lehet állítani a magas hangokat/ mély hangokat/ visszhangot.
- Ha a magas-mély hang, vagy a visszhang túl magas szintre van beállítva, előfordulhat, hogy a hangszóróból kijövő hang zajos vagy torzított lesz. Ez nem jelent meghibásodást. Le kell csökkenteni a fenti beállításokat, majd ki és bekapcsolni a mikrofont.
- A készülék mikrofon prioritási funkcióval van ellátva. Ha ezt a funkciót választja ki a távirányítón, a karaoke hangja a hangszórókon keresztül fog szólni és prioritást fog élvezni (zenei alátét nélkül); az éneklés befejezése után a zene automatikusan elindul.
- A karaoke funkció zenelejátszással együtt is használható; Ha szeretné növelni a karaoke hangját és csökkenteni a zenei alátét hangját, a megfelelő forgatógombok segítségével külön-külön beállítható a mikrofon és a hangszóró hangereje.
- Ha a mikrofon a hangszóró mellé kerül, ki kell kapcsolni. Ellenkező esetben nagy zaj keletkezik.

PS05.2DB**Problémák elhárítása**

1. A hangszóró nem kapcsol be.
 - a. Ellenőrizze, hogy az áramellátás megfelelő-e.

2. Nincs hang.
 - a. Próbálja meg módosítani a hangerőt és ellenőrizze a lejátszás forrását.
 - b. Ha a probléma továbbra is fennáll, vegye fel a kapcsolatot a szervizzel.

3. Torzított hang.
 - a. Próbálja meg lejátszani a zeneszámot alacsonyabb hangerőn.
 - b. Ellenőrizze a magas / mély hangok beállítását.

4. Zajok FM rádió hallgatása közben.
 - a. Helyezze át a készüléket a jobb vétel érdekében
 - b. Kapcsolja be ismét a szkennelést vagy válasszon ki egy másik rádióállomást.

Műszaki adatok

Tápellátás: AC 110-240V, 50/60 Hz.

FM sávzélesség: 87,5-108,0 MHz.

USB csatlakozó: 5V, 500mA, 2.0 verzió, max. 32 GB kapacitású adattároló kezelése.

Bluetooth: V2.1 + EDR, működési távolság 10 m-ig

RMS kimeneti teljesítmény: 2 x 30 W.

Magas és mély hangok beállítása: -9dB ~ + 9dB.

Mikrofon: 2 x 6,3 mm-es bemenet, vezetékes mikrofon csatlakoztatása. 1 x vezeték nélküli mikrofon

Akkumulátor: 12V / 4000mAh; töltési idő: 3 ~ 4 óra; lejátszási idő: 2 ~ 3 óra.

Áramfelvétel: 80W;

Áramfelvétel készenléti állapotban: <0.5W.

(A fenti műszaki adatok előzetes értesítés nélkül megváltoztathatók).

VAŽNE SIGURNOSNE UPUTE



UGROŽENJE OD ELEKTRIČNOG
UDARA NEMOJTE OTVARATI

Oprez:

Kako bi se smanjila opasnost od električnog udara, nemojte skidati poklopac niti stražnj dio uređaja. Unutar uređaja ne postoje komponente za popravak od strane korisnika. Održavanje i popravak opreme izvršava isključivo kvalificirano servisno osoblje.

Objašnjenje grafičkih simbola:



Simbol munje sa sa strelicom koji se nalazi u jednakostraničnom trokutu upozorava na prisutnost neizoliranog, opasnog napona unutar kućišta uređaja koja može postići veličinu uzrokujuću strujni udar.



Uskličnik unutar jednakostraničnog trokuta upozorava korisnika da ovdje su prezentirane važne poruke za rad i održavanje opreme u dokumentaciji priloženoj uređaju.

Pročitajte ovaj priručnik prije uporabe uređaja da se upoznate sa značajkama i kako koristiti uređaj sukladno namjeni. Ovo će osigurati dugotrajan, besprijekoran rad uređaja i zadovoljstvo uz korištenje.

Važne informacije

- Sačuvajte operativne upute i sigurnosne informacije kako bi se ih moglo koristiti u budućnosti.
- Nemojte dopustiti da na uređaj kapa ili proliva se bilo koja tekućina.
- Ne smijete se također koristiti na vlažnim mjestima, kao što su npr. kupaonica.
- Ne postavljajte uređaj na sljedećim mjestima:
- Izložen suncu ili blizu grijalica.
- Na vrh druge stereo opreme koja generira toplinu.
- Tako da blokira ventilaciju ili u prašnjavom mjestu.
- U okruženju izloženom neprekidnim vibracijama.
- U područjima visoke vlage.
- Ne postavljajte uređaj blizu otvorenog plamena ili otvorene vatre.
- Uređaj se može koristiti samo na način opisan u ovim uputama.
- Prije prvog uključivanja napajanja, pobrinete se da je napajanje ispravno pripojeno.
- USB memoriju se pripaja neposredno ili preko produžnog USB kabela s dužinom do 25 cm.

Iz sigurnosnih razloga, nemojte skidati poklopce ili pristupiti unutrašnjosti uređaja. Uređaj smije popravljati samo kvalificirano servisno osoblje.

Nemojte rastavljati uređaj ili otvarati njegovo kućište, jer unutra nema dijelova koje bi se moglo popraviti od strane korisnika. Ržavanje i popravak opreme izvrši isključivo kvalificirano servisno osoblje.

Sigurnosne upute

1. Pročitajte upute - prije uporabe stroja, pročitajte sve upute i informacije o sigurnosti.
2. Sačuvajte ove upute - zadržite upute za upotrebu i održavanje kako bi se ih moglo koristiti u budućnosti.
3. Poštujte upozorenja - slijedite sva upozorenja objavljena na uređaju te koje se nalaze u uputama.
4. Slijedite upute - slijedite upute i preporuke za korisnike.
5. Montaža - montirajte uređaj prema uputama proizvođača.
6. Izvori energije - uređaj treba napajati samo iz izvora koji je naveden na naljepnicama na kabelu napajanja. Ako niste igurni koju vrstu napajanja ima vaša kuća, obratite se prodavatelju ili lokalnoj energetskoj tvrtki.
7. Uzemljenje ili polarizacija napajanja - uređaj ne mora biti uzemljen. Provjerite je li utikač potpuno umetnut u utičnicu ili u produžni kabel, kako bi se spriječio otkriće igle ili kontakata. Neke verzije stroja mogu biti opremljene polariziranim utikačem izmjenične struje (jedna lopatica je šira). Ovaj utikač se može umetnuti u utičnicu samo na jedan način. Ovo je sigurnosna značajka. Ako ne možete staviti utikač u utičnicu, pokušajte ga okrenuti. Ako utikač i dalje ne odgovara utičnici, pozovite električara da to promijeni. Ne skidajte zaštitu polariziranog utikača. Kada koristite produžni kabel ili kabel za napajanje osim isporučenog s uređajem morate imati odgovarajuće čepove i potvrdu o sigurnosti potrebnu za određenu zemlju upotrebe.
8. Osiguranje kabela za napajanje - energetski kabeli moraju biti preusmjereni na takav način kako ne bi se moglo kroz njih hoditi, pritiskivati ili obrezivati bilo kojim postavljenim objektima. Obratite posebnu pozornost na utikače, utičnice i mreže, gdje kabeli izlaze iz uređaja.
9. Preopterećenja - nemojte preopteretiti zidne utičnice, produžne kabele i električne distributere, jer ovo baš može dovesti do požara ili strujnog udara.
10. Ventilacija - uređaj mora biti pravilno provjetran. Ne postavljajte uređaj na krevet, kauč ili drugu sličnu površinu. Nemojte prekrivati stroj stolnjakom, salvetom, novinama i sl.
11. Vrućina - nemojte postavljati uređaj u blizini izvora topline kao što su grijači, radijatori, peći i ostali uređaji (pojačala) koji stvaraju toplinu. Ne stavljajte na uređaj upaljenih svijeća i drugog otvorenog plamena.
12. Voda i vlaga - kako bi se smanjio rizik od požara ili električnog udara, nemojte izlagati uređaj kiši, vlazi i vodi, na primjer u sauni ili u kupaonici. Ne koristite ovaj proizvod u blizini vode, primjerice blizu kade, umivaonika, sudopera ili kade za pranje rublja, u vlažnom podrumu ili blizu bazena (ili u drugim sličnim mjestima).

14. Čišćenje - uvijek prije čišćenja isključite uređaj iz zidne utičnice. Prašinu oko zvučnika se može ukloniti suhom krpom. Ako za čišćenje će se koristiti sredstvo u obliku aerosola, sprej ne bi se smjelo da bude usmjeren izravno na stroj, ali tkaninu. Budite oprezni da ne oštetiti pogonske jedinice.
15. Dodatna oprema - nemojte koristiti pribore koji nisu odobreni od strane proizvođača, jer mogu predstavljati prijetnju za rad uređaja i za samog korisnika.
16. Pribori - nemojte postavljati uređaj na nestabilne kolice, stalku, tronožcu, nosaču ili stolu. Uređaj se može kotrljati i oštetiti se ili uzrokovati ozbiljne ozljede djeci ili odraslim osobama. Koristite samo kolice, stanke, tronožce, nosače ili stolove kojih preporučuje proizvođač ili se ih prodaje zajedno s uređajem. Montažu uređaja se mora provesti u skladu s uputama proizvođača, koristite pribore za ugradnju oobrene od strane proizvođača.
17. Premještanje stroj - uređaj postavljen na kolicama mora se premješati vrlo pažljivo. Naglo zaustavljanje, previše sila i neravne površine mogu uzrokovati da kolica s uređajem prevrne.
18. Vrijeme bez korištenja uređaja – kabel napajanja mora biti isključen iz zidne utičnice tijekom grmljavinskog nevremena ili ako se ga ne koristi duže vrijeme.
19. Servisiranje - ne pokušavajte pogledati unutrašnjost uređaja sami. Otvaranje poklopca može uzrokovati opasne napone i izložiti vas drugim opasnostima. Održavanje i popravak opreme vrši isključivo kvalificirano servisno osoblje.
20. Kada stroj nije u uporabi, izvucite mrežni utikač iz zidne utičnice. Kad je uređaj pripojen na izvor napajanja, uređaj je u stanju čekanja i nije u potpunosti isključen.
21. Rezervni dijelovi – tijekom zamjene dijelova, treba provjeriti dla li serviser je koristio rezervne dijelove koje preporučuje proizvođač ili dijelove koje su identične originalnim dijelom. Izrada zamjene neodobrenih rezervnih dijelova ugrožava od požara, strujnog udara ili drugih opasnosti.
22. Glavni osigurači – da bi se konstantno osiguralo uređaj od požara, koristite osigurače samo odgovarajuće vrstu i određenih parametara. Parametri osigurača u rasponu napona su označeni na uređaju.
23. Ne smije se da se poveća glasnoću dijela kad se sluša dio s niskom glasnoćom ili u slučaju odsutnosti ulaznog audio signala. Inače, s naglim porastom snage signala možete oštetiti zvučnik.
24. Jedini način da isključite uređaj iz izvora napajanja je takav da odspojite mrežni kabel iz zidne utičnice ili uređaja. Električna utičnica ili kabel ulazne snaga na uređaju mora biti uvijek na raspolaganju kada koristite proizvod.
25. Uređaj bi trebao biti instaliran u blizini utičnice napajanja ili produžnog kabela na takav način su oni uvijek na raspolaganju.
26. Maksimalna temperatura okoline uređaja je 35°C
27. Savjeti za elektrostatička pražnjenja - ako se rad prekine zbog elektrostatičkog pražnjenja, isključite uređaj ponovno ili premjestiti ga na drugo mjesto.
28. Baterija
 - a. Baterije se ne smije izlagati pretjeranoj toplini, npr. suncu, vatri i sličnim uvjetima.
 - b. Kod zbrinjavanja baterije, obratite pažnju na aspekte okoliša.
 - c. Ponašajte se oprezno tijekom korištenjem baterija: kako bi se spriječio curenje baterije, koje može uzrokovati ozljede ili oštećenja na uređaju:
 - Pri umetanju baterija obratite pažnju na polaritet (+ i -).
 - Nemojte koristiti različite baterije u isto vrijeme - stare i nove, alkalne baterije, standardne itd.
 - Izvadite baterije iz uređaja kad se ga neće koristiti duže vrijeme.

UPOZORENJE

Uređaj ne smije biti korišten od strane osoba (uključujući djecu) sa smanjenim fizičkim, osjetilnim ili mentalnim sposobnostima te osoba s nedovoljnim znanjem i iskustvom, ako nisu one pod nadzorom osobe odgovorne za njihovu sigurnost i nisu obučeni o tome kako sigurno koristiti uređaj. Prisutnost odraslih je potrebna ako uređaj koriste djeca; ovo će osigurati sigurnu uporabu uređaja.

1. Nikada ne ostavljajte stroj da radi bez nadzora! Isključite uređaj kada nije u uporabi, čak i za kratko vrijeme.
2. Uređaj se ne može upravljati putem vanjskog sata s timerom, ili posebnim sustavom daljinskog upravljanja.
3. Da bi se izbjegla opasnost u slučaju štete za zamjenu kabela napajanja treba se obratiti proizvođaču, ovlaštenom servisu ili drugim stručnim osobama.
4. Prije uporabe uređaja, provjerite je li napon odgovara naponu koji je nastao u mrežnom naponu.
5. Nemojte prekrivati ventilacijske otvore uređaja, npr. papirom, tkaninama, zavjesama, itd. Uvjerite se da uređaj ima najmanje 20 cm slobodnog prostora, a na svakoj strani - najmanje 5 cm.
6. Nemojte dopustiti da na uređaj kapaju ili prolivaju tekućine, te nemojte stavljati posude s tekućinom, poput vaza.
7. Kako biste spriječili požar ili strujni udar, uređaj mora biti zaštićen od žarišta, kiše, vlage i prašine.
8. Ne postavljajte uređaj blizu izvora vode, npr. slavine, kade, bazena ili perlice rublja. Staviti uređaj na ravnu i stabilnu površinu.
9. Nemojte da uređaj izlažite jakim magnetskim poljima.
10. Nemojte da uređaj stavljajte izravno na pojačalu ili prijammiku.
11. Ne postavljajte uređaj na vlažnom mjestu, jer vlaga ima štetan učinak na električne komponente.
12. Dovodjenje uređaja iz hladnog u toplo vlažnom mjestu može uzrokovati kondenzaciju na leći unutar playera. U ovom slučaju, uređaj neće raditi ispravno. Uređaj se mora ostaviti uključen oko jedan sat kako bi se omogućilo isparavanje vlage.
13. Izbjegavajte korištenje kemijskih otapala, jer mogu oštetiti boju kućišta. Uređaj se obriše čistom, suhom ili vlažnom krpom.
14. Prilikom uklanjanja utikača iz zidne utičnice, uvijek povucite utikač, a ne kabel.
15. Kada uređaj se koristi u blizini uključenog televizora, ovo može biti izvor buke ili slike u obliku linije na zaslonu uređaja. Ovo ovisi o propusnosti emitiranja valova. To ne označava kvar uređaja ili televizora, ako vidite takve linije, pomaknite uređaj dalje od TV prijammika.
16. Mrežni utikač se upotrebljava za isključivanje napajanja zato mora biti uvijek na raspolaganju.
17. Da biste spriječili mogući gubitak sluha, ne slušajte glasno glazbu kroz duže vrijeme.



NAPOMENA



Izjava

Niže navedenim Blaupunkt Competence Center 2N-Everpol Sp. z o.o. izjavljuje da je ovaj proizvod u skladu sa zahtjevima i drugim relevantnim odredbama Direktive 2014/53/EU. Za potpunu Izjavu o sukladnosti posjetite stranicu www.blaupunkt.com na kartici proizvoda.

Odgovorni subjekt: 2N-Everpol Sp. Z o.o.

Puławska 403A, 02-801 Varšava, Poljska

Telefon: +48 22 688 08 00, e-mail: info@everpol.pl



Proizvod je izrađen od visokokvalitetnih materijala i dijelova koji se mogu reciklirati i ponovo upotrijebiti.



Ako vaš uređaj ima znak prekrížene kante za otpatke, ovo označava da je proizvod pokriven odredbama Europske direktive 2012/19/EU. Molimo poštuje zahtjeve lokalnog sustava za prikupljanje električnog otpada i elektroničke opreme. Radite u skladu s lokalnim propisima. Ne bacajte ovaj proizvod zajedno s kućnim otpadom. Ispravnom odlaganjem starog proizvoda spriječit ćete potencijalne negativne posljedice na okoliš i zdravlje ljudi.



Uređaj je opremljen sa baterijama obuhvaćenim Europskom direktivom 2006/66/EC. Baterije se ne smije odlagati zajedno s komunalnim otpadom. Molimo pogledajte lokalne propise o zasebnom prikupljanju baterija jer ispravnim odlaganjem spriječit ćete potencijalne negativne posljedice na okoliš i zdravlje ljudi.

Informacije o zaštiti okoliša

Paket uključuje samo nužne komponente. Svaki napor je napravljen da bit tri sastavni komponenti paketa lako odvojili: karton (kutija), polistirenska pjena (zaštita unutra) i polietilen (vrećica, zaštitna folija). Uređaj je izrađen od materijala koje se može reciklirati i ponovo upotrijebiti nakon demontaže od strane specijalizirane tvrtke. Poštujte lokalne propise o raspolaganju iskorištenih ambalažnih materijala, baterija i nepotrebne opreme.

Snimanje i reprodukcija materijala može zahtijevati pristanak. Vidi Zakon o autorskim pravima i prava izvođača/umjetnika.

Napomena o ERP2 (oprema koja se odnosi na energiju)

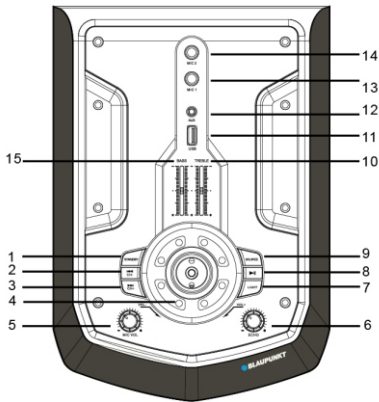
Ovaj ekodizajnirani uređaj zadovoljava zahtjeve 2. faze Uredbe Komisije (EZ) br. 1275/2008 kojom se provodi Direktivu 2009/125/EZ o potrošnji energije od strane isključenih i elektroničkih uređaja ili uređaja u modu čekanja za uredsku i kućnu uporabu.



Vlasnik zaštitnog znaka i logotipa Bluetooth® je tvrtka Bluetooth SIG, Inc. USA. Upotreba tih znakova i logotipa podliježe licenciji. Ostali zaštitni znakovi i trgovački nazivi su u vlasništvu određenih vlasnika.

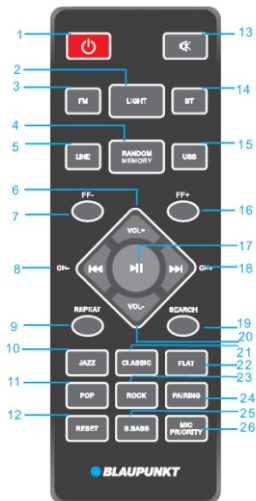
Zahvaljujemo na odabiru našeg proizvoda. Molimo o pažljivo pročitavanje ovih uputstva i upoznanje prije upotrebe uređaja. Preporučuje se ostaviti upute za uporabu u budućnosti.

Prednja ploča



- 1 – Tipka standby moda (uključivanje / isključivanje);
- 2,3- Prethodna / sljedeća / radijska postaja - / +;
- 4- Upravljanje glasinom;
- 5- Tipka namještanja glasine mikrofona;
- 6- Tipka namještanja jeke mikrofona;
- 7- Disko osvjetljenje
- 8- Reproduciranje/ pauziranje;
- 9-Izvor;
- 10,15- Regulacija niskih i visokih tonova;
- 11- Port USB;
- 12- Priključak AUX IN;
- 13,14-Ulaz za mikروفon 1 i 2;

Daljinski upravljač



- 1 - Tipka napajanja;
- 2- Tipka uključivanja/ isključivanja disko osvjetljenja;
- 3,5,14,15- Tipka FM / LINE IN / Bluetooth / USB;
- 4- Tipka uklj./isklj. nasumičnog reproduciranja/ tipka spremanja;
- 6,20-Glasina +/-;
- 7,16- Tipka brzog ugađanja FF - / +;
- 8,18- Prethodna i sljedeća postaja - / +;
- 9- Tipka ponavljanja (ponavljanje jednu pjesmu / ponavljanje sve / isključiti);
- 10,11,21,22,23- Korekcijski mod EQ (jazz / pop / klasičan / neutralan / rock)
- 12- Tipka resetiranja;
- 13- Tipka tišine;
- 17- Reproduciranje/pauza;
- 19- Tipka traženja;
- 24- Tipa uparivanja;
- 25 - Tipka Super Bass;
- 26 - Tipka prednosti mikrofona;

Paljenje napajanja

Molim provjerite je li izvor napajanja odgovara specifikacijama nazivne snage, koja se nalazi na stražnjoj ploči. Ako se ne slaže molim javite se prodavaču ili servisnom centru.

Stavi ženski priključak kabela punjenja u uređaj, zatim uključi u zidnu utičnicu radi dobika izvora napajanja. Upali uređaj pomoću tipke koja nalazi se na stražnjoj ploči. Pritisni tipku punjenja na gornjem dijelu ploče ili daljinskom upravljaču da bi upalio ekran zaslona, što znači da je veza punjenja završena uspješno i može se nastaviti daljnje upravljanje.

Punjene iz baterije i napajanje: Uređaj posjeduje ugrađen akumulator (12 V / 4000 mAh), koji omogućuje reproduciranje glazbe bez priključivanja napajanja sa izmjeničnom strujom. Akumulator će biti punjen kada će biti dostupno napajanje sa izmjeničnom strujom; crvena LED dioda koja se nalazi na stražnjem dijelu upravljačke ploče će svijetliti tijekom napajanja i svijetliti će u plavo ako se akumulator potpuno napuni; kada zbog niskog nivoa napajanja akumulator LED dioda će svijetliti u žuto treba početi punjiti uređaj. Zvučnik uređaja automatski se isključi u slučaju potpuno iscrpljenja akumulatora.

23-satno vrijeme reprodukcije baterije dobiveno uz sljedeće postavke:

Izvor: Bluetooth

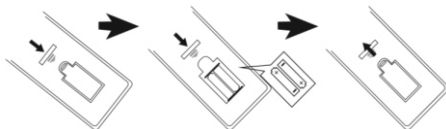
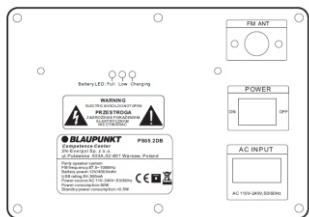
Razina glasnoće: 10

Osvjetljenje: isključeno

Način rada ekvilizatora: ravan,

Postavke basa i visokih tonova: 0

Super Bass: Srednja razina.



Umetanje baterije u daljinski upravljač

Otvorite poklopac pretinca za bateriju i umetnite 2 AAA bateriju (w kompletu); provjerite poklapa li se polaritet baterije s dodatnim i negativnim simbolom otisnutim na pretincu. Zatim zatvorite poklopac pretinca za baterije.

Napomene:

- Radna udaljenost daljinskog upravljača iznosi 7 metara bez prepreka između upravljača i glavne jedinice. Daljinski upravljač uperite u senzor koji se nalazi u lijevom kutu zaslona.
- Osetljivost daljinskog upravljača bit će slaba, ako je baterija ispražnjena. Zamijenite je novom da bi daljinski upravljač ispravno radio.
- Ako se daljinski upravljač dulje vrijeme ne koristi, izvadite iz njega bateriju.
- Baterija se mora zbrinjavati na način koji je pogodan za okoliš. Upoznajte se sa zahtjevima lokalnih vlasti u svezi sa zbrinjavanjem otpada.

Općenito upravljanje

- 1. Uključivanje/ isključivanje:** pritisni tipku standby moda na gornjem dijelu ploče ili tipku punjenja na daljinskom upravljaču da bi uključio ili isključio uređaj; Izvadi priključak iz mrežne utičnice da bi isključio punjenje.
- 2. Izbor izvora reproduciranja:** Pritisni tipku izbora izvora na gornjem dijelu upravljačke ploče ili pritisni FM, BT, LINE, tipka USB na daljinskom upravljaču da bi promijenio izvor reproduciranja između FM / Bluetooth / Line in / USB.
- 3. Namještanje glasine:** Okreni regulator upravljanja glasinom na gornjem dijelu upravljačke ploče ili pritisni tipku VOL +/- na daljinskom upravljaču da bi povećao ili smanjio nivo glasnoće.
- 4. Namještanje visokih i niskih tonova:** Potegni gore ili dolje klizač regulacije basova/soprana da bi namjestio boju početnog zvuka.
- 5. Utišavanje zvuka:** pritisni tipku MUTE na daljinskom upravljaču da bi utišao zvuk; ako ponovo pritisneš tipku vratit će se zvuk do prethodno namještenog nivoa.
- 6. Namještanje korekcije:** pritisni odgovarajuću tipku na daljinskom upravljaču da bi omogućio promjenu načina korekcije između Jazz / Classic / Flat / POP / ROCK / Super Bass.
- 7. Reproduciranje/pauziranje:** pritisni tipku reproduciranje/pauza da bi pauzirao ili ponovio reproduciranje u modu Bluetooth / USB.
- 8. Ponavljanje i slučajno reproduciranje:** pritisni tipku ponavljanja da bi uključio odgovarajući način ponavljanja glazbe; Pritisni tipku nasumičnog reproduciranja da bi uključio/isključio funkciju nasumičnog reproduciranja u modu USB.
- 9. Osvjetljenje:** pritisni tipku nekoliko puta da bi promijenio način osvjetljenja između osam efekara ili je isključio.
- 10. Reset:** pritisni tipku resetiranja na daljinskom upravljaču da bi vratio uređaj na tvorničke postavke.

Upravljanje radijem FM

Prije početka slušanja radija FM treba premjestiti uređaj pored prozora radi boljeg primanja signala FM. Zatim spoji priloženu vanjsku antenu sa priključkom antene FM na stražnjem dijelu upravljačke ploče da bi dobio primitak frekvencija..

- 1. Automatsko skeniranje i programiranje radijskih postaja (automatski način):** kratko pritisni tipku reproduciranja/pauze na gornjem dijelu upravljačke ploče ili pritisni tipku traženja na daljinskom upravljaču da bi pokrenuo automatski način skeniranja i pohranjanja dostupnih radijskih postaja. Nakon završetka skeniranja uređaj će automatski reproducirati program prve programirane postaje. (Maksimalan broj programiranih radijskih postaja: 40)
- 2. Izbor radijskih postaja:** u modu radija pritisni tipku sljedeći/ prethodni na gornjem dijelu upravljačke ploče ili na daljinskom upravljaču da bi odabrao ili reproducirao prethodnu ili sljedeću pohranjenu radijsku postaju.
- 3. Programiranje radijskih postaja (ručni način):** pritisni i pridrži nekoliko sekundi tipku sljedeći/prethodni radi automatskog skeniranja ili kratko pritisni tipkuFF +/- na daljinskom upravljaču da bi podesio omiljenu radijsku postaju a zatim pritisni tipku memoriranja da bi pokrenuo ručni način programiranja pritisni tipku +/- na daljinskom upravljaču da bi odabrao željenu lokalizaciju postaje ponovo pritisni tipku memoriranja da bi potvrdio i završio programiranje.

Reproduciranje USB

Uređaj posjeduje funkciju reproduciranja USB koja može dekodirati i reproducirati glazbu iz prijenosnih uređaja memorije USB. Prije početka reproduciranja kopiraj glazbu MP3 na prijenosnu memoriju USB; Stavi memoriju USB u uređaj jer način reproduciranja samo tada radi ako memorija USB je dobro povezana. Zatim uređaj automatski će pronaći i reproducirati glazbu MP3.

Biranje pjesme: kratko pritisni prethodni/sljedeći da biraš prethodnu ili sljedeću pjesmu; Pritisni i pridrži tipku za premotavanje da bi premotao na početak upravo reproducirane pjesme, pusti tipku da bi dalje reproducirao pjesmu.

U USB modu su dostupne funkcije: reproduciranje/pauza, utišanje, ponavljanje, korekcija zvuka, regulacija visokih/niskih tonova itd. Detaljne načine ćete u točki „Općenito upravljanje“ ovog upustva.

Pozor:

- a. Ne preporučuje se spajanje memorije USB pomoći produžnih kabela USB jer imaju negativan utjecaj na kvalitetu reproduciranja i mogu uzrokovati buku ili isprekidan uzrokovan gubitkom podataka audio poslanih datoteka.
- b. Ne može se garantirati dekodiranja i reproduciranja svih datoteka u MP3 formatu.
- c. Uređaj može raditi s memorijama USB maksimalno do 32GB.
- d. Automatsko reproduciranje nekih USB memorija, s obzirom na tip i proizvođača, može trajati malo duže vremena. Treba biti svjestan da nije to greška.

Rad Bluetooth

Taj proizvod posjeduje funkciju Bluetooth, koja omogućuje bežično reproduciranje glazbe sa drugog uređaja Bluetooth (kao što su pametni mobiteli, tableti i slično).

1. Kratko pritisni tipku izvora da bi ušao u Bluetooth mod, na ekranu će se pojaviti potpis "BLUE", što znači da je uređaj spreman za pariranje.
2. Uključiti funkciju Bluetooth na vanjskom uređaju i pretraži dostupan uređaj (upoznaj se sa uputstvom vanjskog uređaja), zatim provjeri dostupan uređaj Bluetooth na popisu. Odaberi "BP PS05.2DB" za povezivanje, ekran sa bljeskajućim potpisom "BLUE" postat će stabilan nakon uspješnog povezivanja.
3. Odaberi i reproduciraj glazbu vanjskog uređaja Bluetooth, zatim zvuk će biti reproduciran pomoću zvučnika na ovom uređaju.
4. Pritisni tipku prethodni/sljedeći da bi odabrao zadnju i sljedeću pjesmu za reproduciranje.
5. U Bluetooth modu može se iskoristiti funkciju reproduciranja/pauze, utišavanja, korekcije zvuka, korekcije visokih i niskih tonova Detalji nalaze se u točki „Opće upravljanje“ ovog uputstva.

Pozor:

- a. Ne može se garantirati odgovarajuće veze za svima uređajima Bluetooth zbog različitih projekata i brendova.
- b. Radna udaljenost Bluetooth iznosi 10 metara bez ikakvih prepreka.
- c. Uređaj smije se parirati i raditi samo s jednim uređajem Bluetooth u isto vrijeme.
- d. U slučaju dolazećeg poziva tijekom reproduciranja Bluetooth, glazba će stati na trenutak i ponoviti će nakon završenog poziva.
- e. Pritisni tipku pariranja daljinskog upravljača da bi zatvorio vezu sa uređajem Bluetooth i ponovno početi pariranje s drugim uređajem.

Rad u modu AUX IN

Da bi povezao i reproducirao glavu sa drugog uređaja treba postupati prema daljnjim uputama:

Koristeći audio kabel treba povezati AUX IN priključak na gornjem dijelu upravljačke ploče sa izlazom ili sa priključkom za slušalice uređaja, kao što su npr. uređaj MP3, CD, DVD, mikser i slično. Zatim treba odabrati i reproducirati glazbu na vanjskom uređaju, a zvuk će biti reproduciran pomoću ovog uređaja.

W trybie AUX-IN główną kontrolę nad odtwarzaniem sprawuje odtwarzacz zewnętrzny . U AUX-IN modu glavno upravljanje je na strani vanjskog uređaja. Na ovom uređaju možeš kontrolirati glasnoću, utišati zvuk, regulirati nivo basova i soprana.

Karaoke

Uređaj u svom setu posjeduje 1 bežičan mikروفon i 2 ulaza za mikروفone sa žicom koje omogućuju pjevanje pjesama tijekom glazbene fešte. Prije uporabe priloženog mikروفona otvori poklopac baterije i stavi 2 komada baterija AA (ne nalaze se u setu) u skladu sa simbolima +/-, zatim zatvori poklopac i upali mikروفon. Uređaj će se automatski spojiti sa mikروفonom. Namjesti odgovarajući glasnoću mikروفona, premještajući regulator glasnoće na gornjem dijelu upravljačke ploče. Mikروفon je spreman za upotrebu. Spoji bežičan mikروفon (ne nalazi se u setu) u priključak 6,3 mm, upali mikروفon, a zatim počni pjevati.

Savjeti:

- a. Ako koristiš mikروفon za rad u funkciji Karaoke pomoću različitih regulatora namjesti visoke tonove/basove/jeku
- b. Zvučnik može emitirati glasnu buku ili deformacije u trenutku kada je glasnoća, postavke basova i soprana ili funkcije jeke su postavljene na previsokom nivou. To nije greška. Treba promijeniti gore navedene postavka a zatim uključiti ili isključiti mikروفon.
- c. Naš uređaj posjeduje funkciju prednosti mikروفona. Ako odabereš tu funkciju sa daljinskog upravljača, glas karaoka će biti reproduciran pomoću zvučnika i imat će prednost (bez glazbene pozadine); nakon završetka pjevanja reproduciranje glazbe će se odvijati automatski.
- d. Možeš koristiti Možeš koristiti funkciju karaoka i slušati glazbu u isto vrijeme; U slučaju kada trebaš povećati glasinu karaoka i smanjiti glasnoću glazbe u pozadini možeš osobno namjestiti glasinu mikروفona i nivo zvučnika pomoći različitih regulatora e.Treba isključiti mikروفon ako će se nalaziti kraj zvučnika, u suprotnom nastat će velika buka

Rješavanje problema

1. Zvučnik se ne želi upaliti.

a. Provjeri je li punjenje je odgovarajuće

2.. Nema zvuka.

a. Pokušaj namjestiti regulator glasnoće i provjeriti izvor reproduciranja.

b. Kontaktiraj servisni centar ako problem se nastavlja.

3. Deformacija zvuka.

a. Pokušaj namjestiti i reproducirati glazbu sa nižim nivom glasnoće

b. Provjeri stanje regulacije visokih/niskih tonova

4. Szum podczas sluchania stacji FM. Smetnje tijekom slušanja FM postaja

a. Premjesti urađaj na drugo mjesto radi bolje recepcije

b. Upali ponovno skeniraje ili promejni na drugu postaju.

Specifikacije

Izvor napajanja: AC 110-240V, 50/60 Hz.

Frekvencija FM: 87,5-108,0 MHz.

Priključak USB: 5V, 500mA, verzija 2.0, radisa memorijom do 32 GB.

Bluetooth: V2.1 + EDR, radna udaljenost do 10m

Izlazna moć: RMS: 2 x 30W.

Regulacija niskih i visokih tonova: -9dB ~ + 9dB.

Mikrofon: ulaz2 x 6,3 mm, priključak za mikron sa žicom; 1 x mikrofon bežičan

Akumulator: 12V / 4000mAh; vrijeme punjenja: 3 ~ 4 sata; vrijeme reproduciranja: 2 ~ 3 sata.

Korištena moć: 80W

Korištena moć u aktivnom stanju: <0.5W.

(Gore navedene specifikacije mogu biti promjenjene bez navedenog razloga).

INSTRUCȚIUNI IMPORTANTE REFERITOARE LA SIGURANȚĂ



Avertisment:

Pentru a diminua riscul de electrocutare, nu demontați capacul sau partea din spate a dispozitivului. În interiorul dispozitivului nu există elemente care să poată fi reparate de utilizator. De mentenanța și reparația echipamentului se ocupă exclusiv angajații calificați ai service-ului.

Explicarea simbolurilor grafice:



Simbolul fulgerului terminat cu o săgeată, plasat într-un triunghi echilateral, avertizează utilizatorul împotriva unei „tensiuni periculoase” neizolate în carcasa dispozitivului, care poate atinge dimensiunea pericolului de electrocutare.



Semnul exclamării într-un triunghi echilateral avertizează utilizatorul că în acest moment sunt prezentate informații importante referitoare la operarea și mentenanța echipamentului în documentația anexată la dispozitiv.

Rugăm să citiți aceste instrucțiuni înainte de a trece la operarea dispozitivului, să vă familiarizați cu funcțiile acestuia și să le folosiți conform destinației. Acest lucru va asigura o operare de lungă durată și fără avarii a dispozitivului, precum și plăcerea de a-l utiliza.

Informații importante

- Instrucțiunile de operare și informațiile referitoare la siguranță trebuie păstrate în scopul folosirii lor în viitor.
- Nu permiteți ca pe dispozitiv să picure sau să se verse vreun lichid.
- Nu îl folosiți în locuri umede, cum ar fi de ex. sala de baie.
- Dispozitivul nu poate fi montat în următoarele locuri:
- Expus la lumina directă a soarelui sau în apropierea caloriferelor.
- Plasat deasupra unui alt dispozitiv stereofonic care emite căldură.
- Blocând ventilația sau într-un loc prăfuit.
- În locuri expuse la vibrații constante.
- În locuri cu umiditate ridicată.
- Nu așezați dispozitivul în apropierea lumânărilor sau a focului deschis.
- Dispozitivul poate fi folosit exclusiv în modul descris în instrucțiunile de mai jos.
- Înainte de prima pornire, asigurați-vă că sursa de alimentare este conectată în mod corespunzător.
- Stick-urile USB se conectează direct sau folosind un prelungitor USB cu lungime de până la 25 cm.

Din motive de securitate, nu demontați carcasa, deoarece în interior nu există elemente ce ar putea fi reparate de utilizator. Dispozitivul trebuie reparat de personalul calificat din service.

Nu demontați și nu deschideți carcasa, deoarece în interior nu există elemente ce ar putea fi reparate de utilizator. De mentenanța și reparația echipamentului se ocupă exclusiv angajații calificați ai service-ului.

INSTRUCȚIUNI REFERITOARE LA SIGURANȚĂ

1. Citiți instrucțiunile – înainte de utilizarea dispozitivului, citiți în întregime instrucțiunile de utilizare, precum și informațiile referitoare la siguranță.
2. Urmați instrucțiunile – păstrați instrucțiunile de utilizare și operare în scopul folosirii lor în viitor.
3. Respectați avertismentele – procedați conform tuturor avertismentelor plasate pe dispozitiv, precum și conform instrucțiunilor de utilizare.
4. Urmați instrucțiunile – procedați conform instrucțiunilor de operare și indicațiilor pentru utilizator.
5. Instalare – setați dispozitivul conform instrucțiunilor producătorului.
6. Surse de alimentare – dispozitivul trebuie alimentat exclusiv de la surse cu parametrii indicați în marjele de pe cablu de alimentare. Dacă utilizatorul nu este sigur de tipul de alimentare de care dispune acasă, trebuie să contacteze vânzătorul dispozitivului sau furnizorul local de energie electrică.
7. Impănăntarea sau polarizarea alimentării – dispozitivul nu trebuie să fie împănăntat. Trebuie să vă asigurați că ștecherul este introdus complet în priză sau în prelungitor pentru a nu permite expunerea bolțurilor sau a contactelor. Unele versiuni ale dispozitivului pot fi echipate cu ștecher polarizat de curent alternativ (cu un singur bolt mai larg). Acest ștecher poate fi introdus în priză de rețea doar într-un singur mod. Aceasta este o funcție de protecție. Dacă ștecherul nu poate fi introdus în priză, trebuie încercată rotirea acestuia. Dacă ștecherul în continuare nu se potrivește la priză, trebuie solicitată înlocuirea acestui ștecher de către un electrician. Nu scoateți elementele de protecție din ștecherul polarizat. Când utilizați un prelungitor sau un cablu de alimentare altul decât cel furnizat împreună cu dispozitivul, acestea trebuie să aibă ștecherele corespunzătoare, precum și atestatul de securitate necesar în țara dată.
8. Protecția cablului de alimentare – cablurile de alimentare trebuie plasate astfel încât să nu poată fi călcate, presate sau tăiate de obiectele din jur. Acordați o atenție deosebită ștecherelor, prizelor de rețea și locurilor în care cablurile sunt direcționate de la dispozitiv.
9. Supraîncărcare – Nu supraîncărcați prizele de perete, prelungitoarele și repartitoarele electrice, deoarece acest lucru poate provoca incendii sau electrocutări.
10. Ventilație – dispozitivul trebuie să fie corect ventilat. Dispozitivul nu poate fi pus pe pat, sofa sau suprafețe similare. Nu acoperiți dispozitivul cu fețe de masă, șervețele, ziare, ș.a..
11. Căldură – nu plasați dispozitivul în apropierea unor surse de căldură, precum calorifere, radiatoare, sobe sau alte dispozitive (de asemenea amplificatoare) care generează căldură. Nu puneți pe dispozitiv lumânări aprinse și alte surse de foc deschis.

12. Apă și umezeală – pentru a reduce riscul de incendiu sau electrocutare, nu expuneți dispozitivul la ploaie, apă și umiditate directă, ca de ex. în saună sau baie. Nu folosiți dispozitivul în apropierea apei, de exemplu lângă cadă, lavoar, chiuveta de bucătărie, într-o pivniță umedă sau în apropierea unei piscine (sau în locuri similare).
13. Obiecte și lichide în dispozitiv – nu trebuie forțate niciun fel de obiecte prin deschiderile dispozitivului, deoarece acestea pot să intre în contact cu punctele de tensiune periculoasă și cu componentele, ceea ce poate provoca incendiu sau electrocutare. În niciun caz nu vărsați niciun fel de lichide pe suprafața dispozitivului. Nu puneți pe suprafața dispozitivului obiecte ce conțin lichide.
14. Curățarea – scoateți întotdeauna dispozitivul din priză înaintea de curățare. Praful din jurul difuzorului poate fi îndepărtat cu o cârpă uscată. Dacă se utilizează un aerosol pentru curățare, nu îndreptați jetul de pulverizare direct spre dispozitiv, ci spre cârpă. Aveți grijă să nu deteriorați unitățile de comandă.
15. Echipare suplimentară – nu folosiți accesorii care nu sunt aprobate de producător, deoarece pot constitui un pericol.
16. Accesorii – nu așezați dispozitivul pe un cărucior, postament, stativ, suport sau masă instabile. Dispozitivul se poate răsturna sau deteriora și poate provoca vătămări grave copiilor sau persoanelor adulte. Folosiți numai cărucioare, postamente, stativ, suporturi și mese specificate de producător sau vândute împreună cu dispozitivul. Montarea dispozitivului trebuie efectuată în conformitate cu instrucțiunile producătorului, folosind setul de montaj recomandat de producător.
17. Mutarea dispozitivului – dispozitivul plasat pe cărucior trebuie deplasat cu multă grijă. Oprirea bruscă, forța prea mare sau suprafețele neuniforme pot provoca răsturnarea căruciorului împreună cu dispozitivul.
18. Perioada de nefolosire a dispozitivului – cablul de alimentare al dispozitivului trebuie deconectat de la priză de rețea în timpul furtunilor cu descărcări atmosferice sau când dispozitivul nu va fi folosit pentru o perioadă mai lungă de timp.
19. Servisare – nu încercați să serviți singur dispozitivul. Deschiderea capacului poate duce la contactul cu o tensiune periculoasă și poate expune utilizatorul la alte pericole. De mentenanță și repararea echipamentului se ocupă exclusiv angajații calificați ai service-ului.
20. Când dispozitivul nu este utilizat, ștecherul de alimentare trebuie deconectat de la priză de rețea. Când dispozitivul este conectat la sursa de alimentare, se află în regim de stand by și nu este complet închis.
21. Piese de schimb – la înlocuirea pieselor, trebuie verificat dacă angajatul service-ului a folosit piesele de schimb recomandate de producător sau dacă aceste piese sunt identice cu cele originale. Înlocuirea cu piese neaprobate poate duce la incendii, electrocutare sau alte pericole.
22. Siguranțele principale – pentru a proteja în mod continuu dispozitivul împotriva incendiului, trebuie folosite siguranțe de tip și parametri corecți. Parametrii siguranțelor în acest interval sunt marcați pe dispozitiv.
23. Nu măriți volumul când ascultați o parte dintr-un cântec înregistrat cu volum redus sau în cazul lipsei semnalului audio de început. În caz contrar se poate ajunge la deteriorarea difuzorului în momentul creșterii rapide a intensității semnalului.
24. Singurul mod de a deconecta complet dispozitivul de la sursa de alimentare este deconectarea cablului de alimentare din priză de alimentare sau din dispozitiv. Priza de rețea sau intrarea cablului de alimentare în dispozitiv trebuie să fie mereu accesibile în timpul utilizării produsului.
25. Dispozitivul trebuie amplasat în apropierea unei prize de perete sau a unui cablu prelungitor și astfel încât să fie mereu accesibil.
26. Temperatura maximă ambiantă pentru dispozitiv este de 35°C.
27. Instrucțiuni referitoare la descărcările electrostatice – dacă funcționarea dispozitivului este perturbată de descărcări electrostatice, acesta trebuie oprit și repornit sau mutat în alt loc.
28. Bateria
 - a. Bateriile nu pot fi expuse la căldură excesivă, cum ar fi razele de soare, foc, ș.a.
 - b. Când aruncați bateriile, acordați atenție aspectelor legate de protecția mediului.
 - c. Avertisment referitor la folosirea bateriei: pentru a nu permite pierderea etanșeității bateriei, ceea ce poate provoca vătămări corporale sau deteriorarea a dispozitivului:
 - În timpul introducerii bateriei, respectați polaritatea acesteia (+ și -).
 - Nu folosiți în același timp baterii diferite — vechi și noi, baterii standard și alcaline, ș.a.
 - Scoateți bateriile din dispozitiv, atunci când acesta nu este folosit pentru o perioadă mai lungă.

ATENȚIE

Dispozitivul nu trebuie folosit de persoanele (inclusiv copiii) cu capacități fizice, senzoriale sau mentale reduse, precum și de persoanele cu cunoștințe și experiență insuficiente, în cazul în care nu se află sub supravegherea unei persoane responsabile pentru siguranța lor și nu au fost instruite cum să folosească dispozitivul în condiții de siguranță. Prezența persoanelor adulte este necesară, dacă dispozitivul este folosit de copii; aceasta va permite o folosire în condiții de siguranță a dispozitivului.

1. Nu lăsați dispozitivul nesupravegheat în timpul funcționării! Dispozitivul trebuie închis când nu este folosit, chiar și pentru o perioadă scurtă de timp.
2. Dispozitivul nu poate fi folosit prin intermediul unui temporizator extern și nici cu ajutorul unui sistem separat cu comandă de la distanță.
3. Pentru evitarea pericolului în cazul deteriorării cablului de alimentare, înlocuirea trebuie efectuată de producător, de punctul autorizat de service sau de o altă persoană calificată în acest sens.
4. Înainte de a începe deservirea dispozitivului, trebuie verificat dacă tensiunea acestuia corespunde tensiunii din rețeaua locală de alimentare.
5. Nu acoperiți orificiile de ventilație ale dispozitivului cu ziere, fețe de masă, draperii, ș.a. Trebuie să vă asigurați că deasupra dispozitivului există cel puțin 20 cm de spațiu liber, iar pe fiecare parte a acestuia – cel puțin 5 cm.
6. Nu permiteți ca pe dispozitiv să picure sau să se verse vreun lichid, nu plasați pe acesta obiecte pline cu lichid, cum ar fi vasele.
7. Pentru a evita incendiile sau electrocutarea, dispozitivul trebuie protejat împotriva locurilor fierbinți, ploii, umezelii și prafului.
8. Nu așezați dispozitivul în apropierea oricărei surse de apă, de ex. robinete, căzi, mașini de spălat sau piscine. Dispozitivul trebuie plasat pe o suprafață dreaptă și stabilă.
9. Nu expuneți dispozitivul la câmpuri magnetice puternice.

10. Nu așezați dispozitivul direct pe amplificator sau amplituner.
11. Nu așezați dispozitivul într-un loc umed, deoarece umiditatea are efect dăunător asupra componentelor electrice.
12. După mutarea dispozitivului dintr-un loc rece către un loc cald sau un loc umed, se poate forma condens pe lentila din interiorul playerului. În această situație dispozitivul nu va funcționa corect. Lăsați dispozitivul să funcționeze aproximativ o oră pentru a permite evaporarea umidității.
13. Nu curățați dispozitivul cu solvenți chimici, deoarece aceștia pot distruge lacul carcasi. Dispozitivul se curăță cu o cârpă curată, uscată sau ușor umezită.
14. Când scoateți ștecherul din priză, trageți întotdeauna de ștecher, niciodată de cablul de alimentare.
15. Când dispozitivul pornit este folosit în apropierea televizorului care funcționează, acesta poate fi o sursă de interferență în imagine, sub forma de linii pe ecran. Aceasta depinde de benzile de unde ale transmisiei tv. Aceasta nu înseamnă o funcționare defectuoasă a dispozitivului sau televizorului. Dacă astfel de linii sunt vizibile, dispozitivul trebuie îndepărtat de televizor.
16. Ștecherul de rețea este folosit pentru deconectarea de la tensiunea de alimentare și trebuie să fie mereu accesibil.
17. Pentru a preveni eventuala pierdere de auz, nu ascultați muzică la volum ridicat pentru perioade lungi de timp.

ATENȚIE



Declarație

Prin prezența Blaupunkt Competence Center 2N-Everpol Sp. z o.o. [SRL] declara că acest dispozitiv este în conformitate cu cerințele și alte dispoziții corespunzătoare ale directivei 2014/53 / UE. Declarația completă de conformitate poate fi obținută pe pagina www.blaupunkt.com n secția produsului.

Entitate responsabilă: 2N-Everpol Sp. Z o.o.
Pulawska 403A, 02-801 Varșovia, Polonia
Telefon: +48 22 688 08 00, e-mail: info@everpol.pl



Produsul a fost realizat din materiale și componente de înaltă calitate, ce pot fi reciclate și reutilizate.



Dacă pe dispozitiv se află semnul coșului de gunoi tăiat, aceasta înseamnă că produsul se înscrie în dispozițiile directivei europene 2012/19/EU. Trebuie citite cerințele referitoare la sistemul local de colectare a deșeurilor electrice și electronice. Respectați reglementările locale. Nu aruncați acest produs împreună cu deșeurile menajere obișnuite. Eliminarea corectă a produsului vechi va preveni potențialele consecințe negative pentru mediu și sănătatea umană.



Dispozitivul este echipat cu baterii care fac obiectul directivei europene 2006/66/EC. Bateriile nu pot fi aruncate împreună cu deșeurile menajere. Consultați reglementările locale privind colectarea separată a bateriilor, deoarece eliminarea corectă va împiedica potențialele consecințe negative pentru mediul natural și sănătatea umană.

Informații privind protecția mediului înconjurător

Ambalajul conține doar elementele necesare. S-au făcut toate eforturile ca cele trei materiale componente ale ambalajului să fie ușor de separat: cutia de carton (cutia), spuma de polistiren (protecție interioară) și polietilena (pungi, folie protectoare). Dispozitivul a fost produs din materiale ce pot fi reciclate și reutilizate după demontarea lor de către o firmă specializată. Trebuie respectate reglementările locale referitoare la eliminarea materialelor de ambalare, bateriilor folosite și a echipamentelor inutile. Înregistrarea și redarea materialelor poate necesita obținerea unei autorizații. Consultați legea referitoare la drepturile de autor și drepturile executanților / artiștilor.

Remarcă referitoare la ERP2 (dispozitive legate de energie)

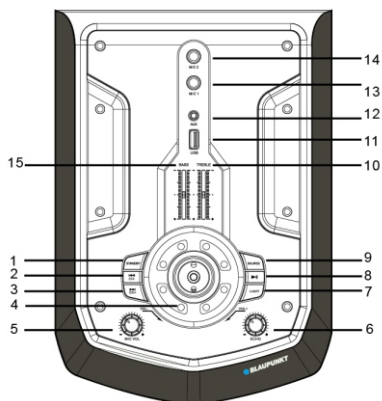
Prezentul dispozitiv cu ecoproiect îndeplinește cerințele etapei 2 din Regulamentul Comisiei (CE) nr 1275/2008 care introduce directiva 2009/125/CE referitoare la consumul de energie al dispozitivelor electronice de birou și de uz casnic, închise sau aflate în regim de stand by.



Proprietarul mărcilor comerciale și sigle Bluetooth® este compania Bluetooth SIG, Inc. USA. Folosirea acestor mărci și sigle este supusă unei licențe. Alte mărci și denumiri comerciale aparțin respectivilor proprietari.

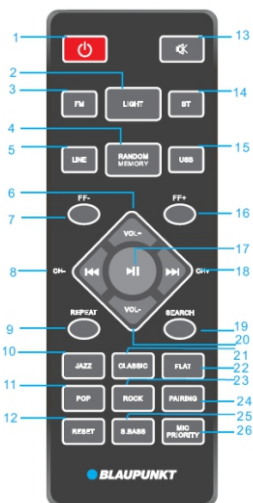
Vă mulțumim că ați achiziționat produsul nostru. Citiți cu atenție aceste instrucțiuni și familiarizați-vă cu ele înainte de a începe utilizarea dispozitivului. Păstrați aceste instrucțiuni pentru a le folosi în viitor.

Panou de comandă



- 1 – Tasta modul stand-by (pornit / oprit);
- 2,3- Anterior / următor / canal - / canal +;
- 4- Control volum;
- 5- Buton reglare volum microfon;
- 6- Buton reglare ecou microfon;
- 7- Iluminat disco
- 8- Redare / pauză;
- 9-Sursă;
- 10,15- Reglare bași și înălțimi;
- 11- Port USB;
- 12- Priză AUX IN;
- 13,14-Intrare microfon 1 și 2;

Telecomandă



- 1 - Tasta alimentare;
- 2- Tasta pornire/oprire iluminat disco;
- 3,5,14,15- Tasta FM / LINE IN / Bluetooth / USB;
- 4-Tasta pornire/oprire redare aleatorie/tasta memorie;
- 6,20-Volum +/-;
- 7,16- Tasta derulare rapidă FF - / +;
- 8,18-Anterior și următor, tasta canal - / +;
- 9- Tasta repetare (repetă o piesă/repetă toate/oprește);
- 10,11,21,22,23- Moduri corector EQ (jazz / pop / clasic / flat / rock)
- 12- Tasta reset;
- 13- Tasta insonorizare;
- 17- Redare / pauză;
- 19- Tasta căutare;
- 24- Tasta împerechere;
- 25 - Tasta Super Bass;
- 26 - Tasta prioritate microfon;

Racordarea alimentării

Verificați dacă sursa de alimentare corespunde specificației de tensiune nominală de pe panoul din spate al dispozitivului. Dacă nu se potrivește, contactați vânzătorul sau centrul de service.

Introduceți fișa mamă a cablului de alimentare în priză de pe dispozitiv și apoi introduceți ștecherul cablului de alimentare într-o priză de perete pentru a obține o sursă de alimentare. Porniți dispozitivul utilizând comutatorul situat pe panoul din spate. Apăsăți tasta de alimentare de pe panoul superior sau de pe telecomandă pentru a activa ecranul, ceea ce înseamnă că conexiunea la rețeaua de alimentare a fost finalizată cu succes și puteți continua utilizarea.

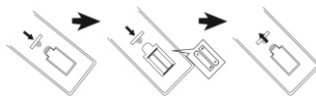
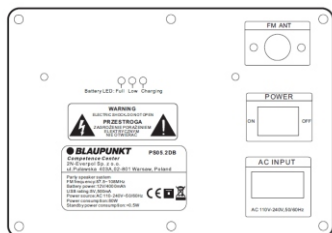
Alimentarea de la baterie și încărcarea: Dispozitivul are un acumulator încorporat (12 V / 4000 mAh) care vă permite să redați muzică fără conectare la o sursă de curent alternativ. Acumulatorul se va încărca atunci când va fi disponibilă o sursă de curent alternativ; LED-ul roșu situat pe panoul din spate se va aprinde în timpul încărcării și se va aprinde în albastru atunci când bateria este încărcată complet; LED-ul devine galben atunci când nivelul de încărcare a bateriei este scăzut, conectați dispozitivul la încărcare. Difuzorul se va deconecta automat dacă bateria se va descărca.

Timp de redare a bateriei de 23 de ore obținut cu următoarele setări:

Sursa: Bluetooth
Mod egalizator: Plat,

Nivelul volumului: 10
Setări Bass & Treble: 0

Iluminare: Dezactivat
Super Bass: Nivel mediu.



Instalarea bateriei telecomenzii

Deschideți capacul compartimentului pentru baterie și introduceți 2 baterie AAA (inclusă în set); asigurați-vă că polaritatea bateriei va corespunde simbolurilor pozitive și negative gravate în compartiment. Apoi, închideți capacul compartimentului pentru baterii.

Note:

- Distanța de lucru a telecomenzii este de 7 metri fără obstacole între telecomandă și unitatea principală. Când acționați telecomanda, vizați senzorul situat în colțul din stânga al ecranului de afișare.
- Sensibilitatea telecomenzii va scădea pe măsură ce bateria se va descărca. Înlocuiți-o cu una nouă, astfel încât telecomanda să funcționeze corect.
- Scoateți bateria în cazul în care nu folosiți telecomanda pentru o perioadă lungă de timp.
- Bateria se va elimina în mod ecologic. Consultați cerințele de eliminare ale autorităților locale.

Utilizarea generală

- Pornire / oprire:** apăsați tasta stand-by de pe panoul superior sau tasta de alimentare de pe telecomandă, pentru a porni sau opri dispozitivul.
- Selectarea sursei de redare:** Apăsați tasta de selecție a sursei de pe panoul superior sau apăsați FM, BT, LINE, tasta USB de pe telecomandă, pentru a comuta sursa de redare între FM / Bluetooth / Line in / USB.
- Reglare volum:** Rotiți butonul de control al volumului de pe panoul superior sau apăsați tasta VOL +/- de pe telecomandă, pentru a mări sau micșora nivelul de volum.
- Reglare înălțimi și bași:** Mutați cursorul de reglare bași/înălțimi în sus sau în jos, pentru a regla timbrul sunetului de ieșire.
- Dezactivarea sunetului:** apăsarea tastei MUTE de pe telecomandă dezactivează sunetul; Apăsând această tasta din nou, se restabilește sunetul până la nivelul setat anterior.
- Setarea corectorului:** apăsarea unei tastei corespunzătoare pe telecomandă permite schimbarea modului între Jazz / Clasic / Flat / POP / ROCK / Super Bass.
- Redare / întrerupere:** apăsați tasta redare/pauză pentru a întrerupe sau a relua redarea muzicii în modul Bluetooth / USB.
- Repetare și redare aleatorii:** apăsați tasta de repetare pentru a activa modul corespunzător de repetare a muzicii; Apăsați tasta de redare aleatorie pentru a porni / opri funcția de repetare aleatorie în modul USB.
- Iluminat:** apăsați de câteva ori tasta de iluminat pentru a comuta modul de iluminare între opt efecte de lumină sau pentru a le opri.
- Reset:** apăsați tasta de resetare de pe telecomandă pentru a reveni la setările din fabrică.

Utilizarea radioului FM

Înainte de a asculta radioul FM, mutați dispozitivul lângă fereastră pentru o recepție mai bună a semnalului FM. Apoi conectați antena externă, furnizată, la mufa antenei FM de pe panoul din spate pentru a obține recepția de frecvențe radio.

- Scanarea și programarea automată a posturilor radio (modul automat):** o scurtă apăsare a tastei de redare / pauză de pe panoul superior sau apăsarea tastei de căutare de pe telecomandă activează modul de scanare automată și salvarea posturilor radio disponibile. După terminarea scanării, dispozitivul va începe să redea automat prima stație presetată. (Numărul maxim acceptat de posturi presetate: 40)
- Selectarea posturilor radio:** în modul radio, apăsați tasta următor / anterior de pe panoul superior sau de pe telecomandă pentru a selecta și a reda postul presetat, anterior sau următor.
- Programarea posturilor radio (mod manual):** apăsați și țineți apăsat câteva secunde tasta următor / anterior pentru scanare automată, sau apăsați scurt tasta FF +/- de pe telecomandă pentru a seta postul dvs. preferat, apoi apăsați tasta de memorie pentru a activa modul manual de programare, apoi apăsați tasta canal +/- de pe telecomandă pentru a selecta locația dorită a postului, apăsați din nou tasta de memorie pentru a confirma și a termina programarea.

Redare USB

Dispozitivul are o funcție de redare USB care poate decoda și reda muzică de pe memoriile portabile USB. Înainte de a începe redarea, copiați muzică MP3 pe un stick de memorie USB; Introduceți memoria portabilă USB în dispozitiv deoarece modul de redare USB este disponibil numai atunci când memoria USB este conectată corect. Apoi dispozitivul va detecta automat și va reda muzică MP3.

Selectarea melodiei: apăsați scurt tasta anterior / următor pentru a selecta piesa anterioară sau următoare; Apăsați și țineți apăsat tasta derulare pentru a derula rapid înaintea melodiei curente, eliberați tasta pentru a continua redarea melodiei. În modul USB, sunt disponibile următoarele funcții: redare / pauză, mute, repetare, corector sunet, ajustare înălțimi / bași, etc. Detalii găsiți la capitolul "Utilizare generală" din aceste instrucțiuni.

Observații:

- Nu se recomandă conectarea unei memorii USB prin intermediul prelungitoarelor USB, deoarece acest lucru poate avea un impact negativ asupra calității redării și poate provoca zgomote sau sunete intermitente cauzate de pierderea datelor audio în timpul transferului de fișiere.
- Decodarea și redarea tuturor melodiilor în formatul MP3 nu pot fi garantate.
- Dispozitivul acceptă memoriile USB de o capacitate maximă de 32 GB.
- Redarea automată a unor memorii USB poate dura ceva mai mult din cauza tipului și producătorului; Rețineți că acest fapt nu înseamnă o defecțiune.

Funcționarea Bluetooth

Acest produs are o funcție Bluetooth care vă permite să redați fără fir muzică de la un alt dispozitiv Bluetooth (cum ar fi un smartphone, tabletă, etc.).

- Apăsați tasta sursă de câteva ori pentru a intra în modul Bluetooth, pe display va apărea textul "BLUE", ceea ce înseamnă că dispozitivul este pregătit pentru împerechere.
- Activați funcția Bluetooth de pe dispozitivul extern și căutați un dispozitiv disponibil (consultați manualul de instrucțiuni al dispozitivului extern), apoi verificați dispozitivul Bluetooth disponibil în listă. Selectați "BP PS05.2DB" pentru a vă conecta, display-ul cu textul intermitent "BLUE" va deveni stabil după o împerechere reușită.
- Selectați și redați muzică de la un dispozitiv Bluetooth extern și sunetul va fi redat prin difuzorul din acest dispozitiv.
- Apăsați tasta anterior / următor pentru a selecta piesa anterioară și următoarea în timpul redării.
- În modul Bluetooth, puteți obține funcția de redare / pauză, mute, corecția sunetului și corecția de înălțime și bas. Detaliile pot fi găsite la punctul "Utilizarea generală" din aceste instrucțiuni.

Observații:

- Conexiunea corectă la toate dispozitivele Bluetooth nu poate fi garantată din cauza diferitelor modele și branduri.
- Raza de lucru Bluetooth este de 10 metri fără nici un obstacol.
- Dispozitivul poate să se împerecheze și să lucreze cu un dispozitiv Bluetooth în același timp.
- În cazul unui apel primit în timpul redării Bluetooth, muzica se va opri pentru un moment și va relua redarea după încheierea convorbirii telefonice.
- Apăsați tasta de împerechere de pe telecomandă pentru a închide conexiunea curentă cu dispozitivul Bluetooth și pentru a începe împerecherea cu un alt dispozitiv.

Funcționarea în modul AUX IN

Pentru a conecta și a reda muzică de la alt player sau dispozitiv, urmați instrucțiunile de mai jos:

Utilizând cablul audio, conectați priza AUX IN de pe panoul superior al dispozitivului cu mufa de ieșire de linie sau ieșire de căști de pe un player cum ar fi playerul MP3, CD, DVD, mixer etc. Apoi selectați și redați muzică pe player-ul extern, iar sunetul va fi redat prin intermediul prezentului dispozitiv.

În modul AUX IN, controlul principal al redării este realizat de player-ul extern. În dispozitivul prezent, puteți să controlați volumul sunetului, să opriți sunetul și să reglați nivelul de bași și înălțimi.

Karaoke

Setul dispozitivului include 1 microfon fără fir și 2 intrări pentru microfoane cu fir care vă permit să interpretați melodii în timpul unui eveniment muzical. Înainte de a utiliza microfonul wireless inclus, deschideți compartimentul bateriilor, introduceți 2 baterii AA (nu sunt incluse) respectând simbolurile de polaritate +/-, apoi închideți compartimentul și porniți microfonul. Aparatul se va împerechea automat cu microfonul. Reglați volumul corespunzător al microfonului rotind butonul de volum al microfonului de pe panoul superior. Microfonul este gata de utilizare.

Conectați un microfon cu fir (nu este inclus) la mufa de 6,3 mm, porniți microfonul și începeți să cântați.

Sfaturi:

- Dacă utilizați un microfon pentru a utiliza funcția Karaoke, puteți regla setarea înălțimi / bași / ecou cu butoanele corespunzătoare.
- Difuzorul poate emite zgomote sau distorsiuni puternice în cazul în care nivelul de volum, bașii și înălțimile sau funcția ecou sunt setate la un nivel prea mare. Aceasta nu este o defecțiune. Reduceți nivelul setărilor de mai sus și apoi porniți sau opriți microfonul.
- Dispozitivul nostru are o funcție de prioritate pentru microfon. Dacă alegeți această funcție de la telecomandă, vocea karaoke va fi redată prin difuzoare și va avea prioritate (fără muzică de fundal); după ce terminați de cântat, redarea muzicii va fi activată în mod automat.
- Puteți utiliza funcția karaoke și puteți asculta muzică în același timp; În acest caz trebuie să măriți volumul karaoke și să reduceți nivelul de muzică de fundal, puteți regla separat volumul microfonului și nivelul difuzorului folosind butoanele corespunzătoare.
- Opriți microfonul când acesta este amplasat lângă difuzor, altfel va produce un zgomot puternic.

Soluționarea problemelor

1. Difuzorul nu poate porni.

a. Controlați dacă racordarea alimentării este corectă.

2. Lipsă sonor.

a. Încercați să reglați butonul de volum și verificați sursa de redare.

b. Contactați centrul de service dacă problema persistă.

3. Distorsionarea sunetului.

a. Încercați să potriviți și să redați muzică la un nivel de volum mai mic.

b. Controlați reglarea de înălțimi / bași.

4. Zgomot în timp ce ascultați o stație FM.

a. Mutați dispozitivul într-un alt loc pentru o recepție mai bună.

b. Porniți scanarea din nou sau schimbați postul.

Specificație

Sursă de alimentare: AC 110-240V, 50/60 Hz.

Frecvență FM: 87,5-108,0 MHz.

Mufă USB: 5V, 500mA, versiunea 2.0, memoriile acceptate până la 32 GB.

Bluetooth: V2.1 + EDR, raza de lucru până la 10m

Putere de ieșire RMS: 2 x 30 W.

Reglare bași și înălțimi: -9dB ~ + 9dB.

Microfon: intrare 2 x 6,3 mm, conectarea unui microfon cu fir; 1 x microfon fără fir

Acumulator: 12V / 4000mAh; durata de încărcare: 3 ~ 4 ore; durata de redare: 2 ~ 3 ore.

Consum de putere: 80W

Consum de putere în modul "ready": <0.5W.

(Specificația de mai sus poate fi modificată fără o notificare prealabilă.)

ВАЖНИ ИНСТРУКЦИИ ЗА БЕЗОПАСНОСТ



ОПАСНОСТ ОТ ТОКОВ



УДАР
НЕ ОТВАРЯЙ

Внимание:

За да се намали рискът от токов удар, не се разрешава демонтиране на капака, дори и на задната част на устройството. В самото устройство няма елементи, предназначени за самостоятелно ремонтване от потребителите. С обслужване и ремонтване на оборудването се занимават единствено квалифицирани служители на сервиса.

Обяснение на графичните символи:



Светкавица, завършваща със стрелка, в равностранен триъгълник предупреждава потребителя за неизолотирано, „опасно“ напрежение около устройството, което напрежение може да има размери, заплашващи с токов удар.



Удивителният знак в равностранен триъгълник предупреждава потребителя, че в този момент в документацията, прикачена към устройството, се предоставя важна информация за обслужването и запазването на оборудването.

Моля, прочетете тази инструкция, преди да пристъпите към обслужване на устройството, за да се запознаете с неговите функции и да го използвате съгласно неговото предназначение. Това ще Ви осигури дълготрайно, безаварийно обслужване на устройството и удоволствие от използването му.

Важна информация

- Запазете инструкцията за ползване, както и информацията за безопасност, с цел използване в бъдеще.
- Да не се допуска прокапване или протичане на течност върху устройството.
- Също да не се използва на влажни места като например в баня.
- Да не се инсталира това устройство на следните места:
- Изложени на непосредствено действие на слънчеви лъчи или близо до радиатори.
- Да не се поставя на повърхността на друго стереофично оборудване, което отделя топлина.
- Ако ще блокира вентилация или в прашно помещение.
- На места, изложени на постоянна вибрация.
- На места с висока влажност.
- Да не се поставя устройството близо до свещи или открит огън.
- Устройството може да се използва единствено по начина, описан в настоящата инструкция.
- Преди първото включване на захранването трябва да се уверите, че зарядното устройство е включено правилно.
- USB паметта се свързва непосредствено или с помощта на USB кабел с дължина до 25 см.

От съображения за сигурност да не се демонтират конструкциите, както и да не се осигурява достъп до вътрешността на устройството. Забранено е отварянето на устройството, както и отварянето на неговата конструкция, тъй като вътре няма части, които биха могли да бъдат поправени от потребителя. С обслужването и поправката на оборудването се занимават единствено квалифицирани служители на сервиса.

ИНСТРУКЦИИ ЗА БЕЗОПАСНОСТ

1. Прочетете инструкцията – преди употреба прочетете цялата инструкция за обслужване, както и информацията за безопасност.
2. Запазете инструкцията – запазете инструкцията за употреба и обслужване с цел по-нататъшно използване.
3. Спазвайте предупрежденията – постъпвайте съгласно с всички предупреждения, поместени на устройството и съгласно с инструкцията за употреба.
4. Спазвайте инструкциите – постъпвайте съгласно с инструкцията за употреба и насоките за потребителя.
5. Инсталация - настройвайте устройството в съответствие с инструкциите на производителя.
6. Източници на захранване - захранвайте устройството само от източници с параметри, посочени на захранващия кабел. Ако не сте сигурни каква енергия имате въкъси, трябва да се свържете с продавача на устройството или местния доставчик на електрическа енергия.
7. Заземяване или поляризация на захранването – устройството не трябва да бъде заземявано. Уверете се, че щепселът е изцяло пъхнат в електрическата мрежа или удължителния кабел, за да не се откриват щифтовете или контактите. Някои версии на устройството могат да бъдат оборудвани с поляризиран адаптер за променлив ток (с по-широк щифт). Този щепсел може да бъде вкаран в гнездото само по един начин. Това е функция за обезопасяване. Ако не можете да поставите щепсела в гнездото, опитайте да го обърнете. Ако щепселът все още не се побира в гнездото, поискайте от електротехник да го смените. Не изваждайте предизпителите от поляризиращ щепсел. Ако използвате удължителен кабел или захранващ кабел, различен от тези, предоставени с устройството, той трябва да има съответните щепсели и одобрения за безопасност, изисквани в дадената страна.
8. Обезопасяване на захранващия кабел - Захранващите кабели трябва да бъдат насочвани така, че да не може да се стъпва по тях, да не бъдат притискани или прерязани от поставени върху тях предмети. Обърнете специално внимание на щепселите, контактите и мястото, където кабелите се извеждат от устройството.
9. Претоварване - Не претоварвайте стенните контакти, удължителите и електро-разпределителите, тъй като това може да доведе до пожар или токов удар.
10. Вентилация - устройството трябва да бъде охлаждаемо правилно. Не поставяйте устройството на легло, диван или подобни повърхности. Не покривайте уреда с покривки, салфетки, вестници и др.
11. Топлина - не поставяйте устройството в близост до източници на топлина като радиатори, лъчеви нагреватели, печки или други уреди (включително топлинни генератори), които произвеждат топлина. Не поставяйте запалени свещи или друг открит огън върху устройството.

12. Вода и влага - За да намалите риска от пожар или токов удар, не излагайте устройството на пряк дъжд, вода или влага, например в сауната или в банята. Не използвайте това устройство близо до вода като вана, мивка, кухненска мивка или вана, в мокро помещение или в близост до плувен басейн (или на подобни места).
13. Предмети и течности в устройството - не вкарвайте предмети през отворите на устройството, тъй като могат да влязат в контакт с опасни точки и компоненти на напрежение, което може да доведе до пожар или токов удар. При никакви обстоятелства не трябва да разливате течности по повърхността на устройството. Не поставяйте върху устройството предмети, съдържачи течности.
14. Почистяване - Преди почистване винаги изключвайте устройството от контакта. Прахът около високоговорителя може да премахнете с помощта на суха кърпа. Ако за почистването ще използвате аерозол, не насочвайте пръскачката директно към устройството, а към кърпата. Внимавайте да не повредите задвижващите устройства.
15. Допълнително оборудване - Не използвайте аксесоари, които не са одобрени от производителя, тъй като те могат да представляват риск.
16. Аксесоари - Не поставяйте устройството върху нестабилна количка, стойка, статив, конзола или маса. Устройството може да се преобръне и повреди, както и може да причини сериозни наранявания у деца или възрастни. Използвайте само колички, стойки, стативи, конзоли и маси, определени от производителя или продавани заедно с устройството. Сглобете уреда съгласно инструкциите на производителя, като използвате монтажния комплект, препоръчан от производителя.
17. Преместване на устройството - устройството, поставено на количката, трябва да се премества много внимателно. Внезапно спиране, твърде голяма сила или неравна повърхност може да доведе до преобръщане на количката заедно с устройството.
18. Период на неизползване на устройството - Изключете захранващия кабел от контакта по време на гръмотевични бури, или когато не използвате уреда за по-дълъг период от време.
19. Обслужаване - не се опитвайте самостоятелно да правите преглед на устройството. Отварянето на капака може да доведе до опасно напрежение и да изложи потребителя на други опасности. С консервация и ремонтниране на оборудването се занимават единствено квалифицирани служители на сервиза.
20. Когато устройството не е в употреба, извадете захранващия кабел от контакта. Когато устройството е свързано към източник на захранване, то е в режим на готовност и не е напълно изключено.
21. Резервни части - при подмяна на части се уверете, че техникът е използвал препоръчаните от производителя резервни части или също, че частите са идентични с оригиналните. Подмяната с неодобрени части може да доведе до пожар, токов удар или други опасности.
22. Главни предпазители - за да предпазите устройството за постоянно от пожар, използвайте предпазители от съответния тип и параметри. Параметрите на предпазителите в даден обхват на напрежение са обозначени на устройството.
23. Не увеличавайте силата на звука, когато слушате част от песен с ниска сила на звука или при липсата на входен аудио сигнал. В противен случай при бързо увеличаване на силата на сигнала може да се стигне до повреда на високоговорителя.
24. Единственият начин за напълно изключване на устройството от източника на захранване е да изключите захранващия кабел от контакта или от устройството. Винаги, когато използвате устройството, трябва да има достъпен захранващ контакт или захранващ кабел.
25. Устройството трябва да се постави близо до контакт или удължителен кабел и така, че да е винаги достъпно.
26. Максималната температура на околната среда на устройството е 35 ° C.
27. Инструкции за електростатично разреждане - ако работата на устройството е прекъсната от електростатичен разряд, изключете уреда и повторно включете устройството или го преместете на друго място.
28. Батерия
 - a. Не излагайте батериите на прекомерна топлина като например слънчеви лъчи, огън и др.
 - b. Когато използвате батериите, обърнете внимание на изискванията за опазване на околната среда.
- в. Предупреждение за използване на батерията: За да не се стигне до изтичане на батерията, което може да доведе до нараняване или повреда на устройството:
 - , При поставяне на батерията, обърнете внимание на нейните полюси (+ и -).
 - , Не използвайте едновременно различни батерии - стари и нови, стандартни и алкални и др.
 - , Извадете батериите от устройството, ако няма да го използвате за по-дълъг период от време.

ВНИМАНИЕ

- Устройството не трябва да се използва от хора (включително деца) с намалени физически, сензорни или психически способности и лица с недостатъчни познания и опит, освен ако не са под наблюдението на лице, отговорно за тяхната безопасност и не са инструктирани как безопасно да използват устройството. Необходимо е присъствие на възрастни, ако устройството се използва от деца; това ще осигури безопасно използване на устройството.
1. Не оставяйте устройството без надзор! Изключвайте устройството, когато не го използвате, дори и за кратко време.
 2. Не включвайте устройството чрез възнен часовник, нито чрез отделна система за дистанционно управление.
 3. За да избегнете опасност при повреда на захранващия кабел, подмяната трябва да се извърши от производителя, от упълномощен сервизен център или от друго квалифицирано лице.
 4. Преди да използвате уреда се уверете, че напрежението му съответства на напрежението на местното захранване.
 5. Не покривайте вентилационните изходи, например с вестници, покривки, завеси и др. Уверете се, че над устройството има най-малко 20 см свободно пространство и от всяка страна на уреда - най-малко 5 см.
 6. Не допускайте уреда да капай или да се разливат течности или не поставяйте предмети, съдържачи течности като например вази.
 7. За да избегнете пожар или токов удар, предпазвайте устройството от горещи места, дъжд, влага и прах.
 8. Не поставяйте устройството близо до водоизточници като кранове, вани, перални машини или плувни басейни. Поставете устройството на равна и стабилна повърхност.
 9. Не излагайте устройството на силни магнитни полета.
 10. Не поставяйте устройството директно върху усилвателя или приемника.
 11. Не поставяйте устройството на влажно място, тъй като влагата има вреден ефект върху електрическите компоненти.
 12. При внасяне на устройството от студено на топло или на влажно място, може да се образува конденз върху обектива върте в плътера. В този случай устройството няма да работи правилно. Оставете включения уред в продължение на около един час, за да може влагата да се изпари.

13. Не почиствайте устройството с химически разтворители, тъй като те могат да повредят лаковото покритие на конструкцията. Избършете устройството с чиста, суха или леко влажна кърпа.
14. Когато изваждате щепсела от контакта, винаги издърпвайте щепсела, а не захранващия кабел.
15. Когато устройството е включено в близост до телевизор, то може да е източник на смущения под формата на линии на екрана. Това зависи от дължината на телевизионната вълна. Не означава неизправност на устройството или телевизора. Ако видите такива линии, преместете устройството далеч от телевизора.
16. Захранващият щепсел се използва за изключване на захранващото напрежение и трябва да е винаги на разположение.
17. За да предотвратите евентуална загуба на слух, не слушайте силна музика в продължение на дълги периоди от време.



ВНИМАНИЕ



Декларация

С настоящото Blaupunkt Competence Center 2N-Everpol Sp. z o.o. декларира, че това устройство отговаря на изискванията и други приложими разпоредби на Директива 2014/53 / на ЕС. Пълната декларация за съответствие може да бъде намерена на www.blaupunkt.com в раздела за продукти.

Отговорно лице: 2N-Everpol Sp. Z o.o.

Puławska 403A, 02-801 Warszawa, Polska

Телефон: +48 22 688 08 00, e-mail: info@everpol.pl



Продуктът е произведен от висококачествени материали и компоненти, които могат да бъдат рециклирани и повторно използвани.



Ако на устройството има знак със задраскано кошче за отпадъци, това означава, че продуктът е обхванат от Европейската директива 2012/19 / ЕС. Запознайте се с изискванията на местната система за събиране на електрически и електронни отпадъци. Следвайте местните разпоредби. Не изхвърляйте този продукт заедно с обикновените битови отпадъци. Правилното изхвърляне на стария продукт ще предотврати потенциални негативни последици за околната среда и човешкото здраве.



Устройството е оборудвано с батерии, които са част от европейска директива 2006/66/ЕС. Не изхвърляйте батериите заедно с битови отпадъци. Запознайте се с изискванията на местната система за събиране на батерии, тъй като правилната употреба на стария продукт ще предотврати потенциални негативни последици за околната среда и човешкото здраве.

Информация за опазване на околната среда

Пакетът съдържа само необходимите елементи. Положени са всички усилия, за да се гарантира, че трите компонента на опаковката са лесни за разделяне: картонена кутия, полистиролова пяна (вътрешна защита) и полиетилен (торбички, защитен лист). Устройството е изработено от материали, които могат да бъдат рециклирани и повторно използвани, след като се демонтират от специализирана фирма. Спазвайте местните разпоредби за изхвърляне на опаковъчни материали, отпадъчни батерии и ненужно оборудване. Записването и възпроизвеждането на материали може да изисква съгласие. Вижте Закона за авторските права и правата на изпълнителите/ артистите.

Забележка относно ERP2 (на устройства, свързани с енергопотребление)

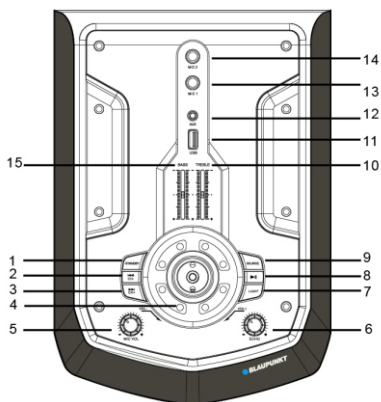
Настоящото устройство с екопроект отговаря на изискванията на етап 2 от Регламента на Комисията (ЕО) № 1275/2008 за прилагане на Директива 2009/125 / ЕО относно консумацията на енергия от електроуреди за офиса и дома.



Собственик на търговските знаци и логото Bluetooth® е фирма Bluetooth SIG, Inc. USA. Използването на тези знаци и логото подлежи на лицензиране. Другите знаци и търговски названия принадлежат на съответните собственици.

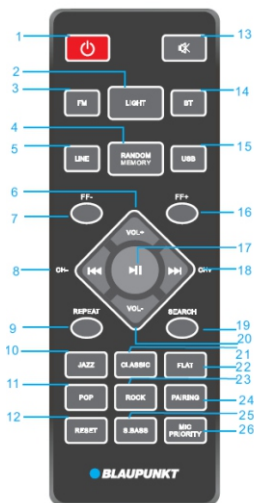
Благодарим Ви за покупката на нашето устройство. Преди да пристъпите към обслужване на устройството, трябва старателно да прочетете и да се запознаете с настоящата инструкция. Моля, запазете инструкцията за бъдещо ползване.

Панел за управление



- 1 - Бутон на режим готовност (включване / изключване);
- 2,3 - Предишно / следващо / канал - / канал +;
- 4 - Настройка на силата на звука;
- 5 - Копче за регулиране на силата на звука на микрофона;
- 6 - Копче за регулиране на ехо ефекта на микрофона;
- 7 - Осветление disco;
- 8 - Възпроизвеждане / пауза;
- 9 - Източник;
- 10,15 - Регулиране на ниски и високи тонове;
- 11 - USB порт;
- 12 - Гнездо AUX IN;
- 13,14 - Вход за микрофон 1 и 2;

Дистанционно управление



- 1 - Бутон на захранването;
- 2 - Бутон за включване/изключване на осветление disco;
- 3, 5, 14, 15 - Бутон FM / LINE IN / Bluetooth / USB;
- 4 - Бутон вкл./изкл. произволно възпроизвеждане / бутон за запаметяване;
- 6, 20 - Сила на звука +/-;
- 7, 16 - Бутон за бързо превъртане FF - / +;
- 8, 18 - Предишно и следващо, бутон канал - / +;
- 9 - Бутон за повтаряне (повтаряй едно произведение / повтаряй всичко / изключи);
- 10, 11, 21, 22, 23 - Режими на еквалайзер EQ (jazz / pop / класически/ плосък/ rock)
- 12 - Бутон reset;
- 13 - Бутон за изключване на звука;
- 17 - Възпроизвеждане / пауза;
- 19 - Бутон за търсене;
- 24 - Бутон за сдвояване;
- 25 - Бутон Super Bass;
- 26 - Бутон за приоритет на микрофона;

Свързване на електрическото захранване

Моля проверете, дали източникът на захранване съответства на номиналното напрежение, посочено отдолу на устройството. Ако не съответства, трябва да се свържете с продавача или сервисния център. Поставете женския конектор на захранващия кабел в гнездото на устройството и след това свържете конектора на захранващия кабел в електрически контакт с цел подаване на напрежение. Включете устройството с помощта на превключателя, разположен на задния панел. Натиснете бутона за захранване на горния панел или на дистанционното управление, за да включите екрана, което означава, че свързването на захранването е успешно и можете да започнете по-нататъшното обслужване.

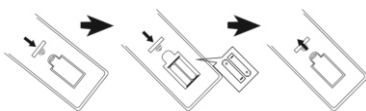
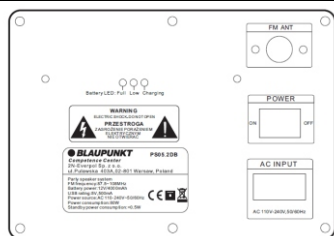
Захранване от акумулатор и зареждане: Устройството е оборудвано с вграден акумулатор (12 V / 4000 mAh), който позволява възпроизвеждане на музика без включване към захранване с променлив ток. Акумулаторът ще се зареди, когато е достъпно захранване с променлив ток; по време на зареждането червеният LED диод, разположен на задния панел, ще свети и когато акумулаторът бъде напълно зареден, ще светне със син цвят; когато LED диодът светне с жълт цвят поради ниското ниво на зареждане на акумулатора, трябва да свържете зарядното устройство. В случай на изтощаване на акумулатора високоговорителят ще се изключи автоматично.

23-часовата продължителност на възпроизвеждане на батерията е постигната при следните настройки:

Източник: Bluetooth
Режим на еквалайзер: Плосък,

Ниво на силата на звука: 10
Настройки за баса и високи честоти: 0

Осветление: Изключено
Super Bass: Средно ниво.



Инсталиране на батерията на дистанционното управление

Отворете капака на отделението за батерията и поставете 2 батерия от тип AAA (включена в комплекта); уверете се, че полярността на батерията съответства на положителните и отрицателните символи, гравирани в камерата. След това затворете капака на отделението за батерията.

Забележки:

- Работното разстояние на дистанционното управление е 7 метра без никакви препятствия между дистанционното управление и основното устройство. Когато използвате дистанционното управление, насочете го към датчика, намиращ се в левия ъгъл на дисплея.
- Чувствителността на дистанционното управление намалява с изтощаването на батерията. Сменете я с нова, така че дистанционното управление да работи правилно.
- Моля, извадете батерията, ако няма да използвате дистанционното управление дълго време.
- Батерията трябва да се обезвреди по екологосъобразен начин. Моля, обърнете внимание на изискванията на местните власти относно обезвреждането.

Общи принципи на обслужване

- Включване / изключване:** натиснете бутона за режим готовност на горния панел или бутона за захранване на дистанционното управление, за да включите или изключите устройството; Извадете щепсела от мрежовия контакт, за да изключите захранването.
- Избор на източника на възпроизвеждане:** Натиснете бутона на горния панел за избор на източник или натиснете бутон FM, BT, LINE, USB върху дистанционното управление, за да превключите източника на възпроизвеждане между FM / Bluetooth / Line in / USB.
- Регулиране на силата на звука:** Завъртете въртящия бутон за управление на силата на звука на горния панел или натиснете бутон VOL +/- на дистанционното управление, за да увеличите или да намалите звука.
- Регулиране на високите и ниските тонове:** Преместете нагоре или надолу плъзгащия бутон за регулиране на басите/сопраните, за да регулирате тона на изходния звук.
- Изключване на звука:** с натискането бутон MUTE на дистанционното управление ще изключите звука; Повторното натискане на този бутон ще включи звука на преди избраното ниво.
- Настройка на еквалайзера:** натискането на съответния бутон на дистанционното управление позволява смяна на режима на еквалайзера между Jazz / Classic / Flat / POP / ROCK / Super Bass.
- Възпроизвеждане / пауза:** натиснете бутона възпроизвеждане/пауза, за да спрете или да възобновите възпроизвеждането на музика в режим Bluetooth / USB.
- Повтаряне и произволно възпроизвеждане:** натиснете бутона за повтаряне, за да активирате съответния режим на възпроизвеждане на музика; Натиснете бутона за произволно възпроизвеждане, за да включите / изключите функцията за произволно възпроизвеждане в режим USB.
- Осветление:** натиснете няколко пъти бутона за осветлението, за да превключите режим осветление между осемте светлинни ефекта или да го изключите.
- Reset:** натиснете бутон reset на дистанционното управление, за да възстановите фабричните настройки.

Обслужване на радио FM

Преди да започнете да слушате радио FM, трябва да пренесете устройството по-близо до прозореца, за да имате по-добър сигнал FM. След това свържете доставената външна антена към гнездото за FM антена на задния панел с цел приемане радио честоти.

- Автоматично сканиране и програмиране на радиостанциите (автоматичен режим):** кратко натискане на бутона за възпроизвеждане / пауза върху горния панел или натискане на бутона за търсене на дистанционното управление активира режим автоматично сканиране и записване на достъпните радиостанции. След завършване на сканирането устройството автоматично ще започне възпроизвеждане на първата програмирана радиостанция. (Максимален брой обслужвани програмирани радиостанции: 40)
- Избор на радиостанции:** в режим радио натиснете бутон следваща / предишна върху горния панел или на дистанционното управление, за да изберете и да включите предишната или следващата програмирана радиостанция.
- Програмиране на радиостанции (ръчен режим):** натиснете и задръжте за няколко секунди бутон следващо / предишно, за да сканирате автоматично или натиснете за кратко бутона FF +/- от дистанционното управление, за да настроите любимата си радиостанция, след това натиснете бутона за запазване, за да активирате ръчен режим за програмиране, след което натиснете бутон канал +/- на дистанционното управление, за да изберете желаната позиция на станцията, натиснете повторно бутона за запазване, за да потвърдите и да завършите програмирането.

Възпроизвеждане USB

Устройството е оборудвано с функция за възпроизвеждане USB, която може да декодира и да възпроизвежда музика от преносими USB памет. Преди да включите възпроизвеждането, копирайте MP3 музика върху USB памет; Поставете USB памет в устройството, защото режимът на възпроизвеждане USB е достъпен само, когато USB паметта е правилно свързана. След това устройството автоматично ще намери и ще възпроизведе MP3 файловете.

Избор на песен: натиснете кратко бутона предишно / следващо, за да изберете предишната или следващата песен; Натиснете и задръжте бутона за превъртане, за да превъртите напред текущо възпроизвежданата песен, пуснете бутона, за да продължите да възпроизвеждате песента.

В режим USB са достъпни следните функции: възпроизвеждане / пауза, изключване на звук, повтаряне, еквалайзер, регулиране на високи / ниски тонове и т.н. Подробна информация ще намерите в точка „Общи принципи на обслужване“ в настоящата инструкция.

Забележки:

- Не се препоръчва да свързвате USB памет посредством USB удължителни кабели, тъй като това може да има отрицателно влияние върху качеството на възпроизвеждане и да предизвика шум или прекъсвания на звука, причинени от загубата на аудио данни по време на прехвърлянето на файлове.
- Не може да се гарантира декодирането и възпроизвеждането на всички произведения във формат MP3.
- Устройството обслужва памети USB с максимален капацитет 32GB.
- Автоматично възпроизвеждане на някои USB памет, поради типа и производителя, може да отнеме малко повече време; Не забравяйте, че това не е неизправност.

Функция Bluetooth

Този продукт е оборудван с функция Bluetooth, която позволява безжично възпроизвеждане на музика от друго Bluetooth устройство (като смартфон, таблет и т.н.).

- Натиснете няколко пъти бутон за избор на източник, за да влезете в режим Bluetooth, върху дисплея ще се появи съобщение "BLUE", което означава, че устройството е готово за сдвояване.
- Включете функция Bluetooth във външното устройство и намерете достъпното устройство (запознайте се с инструкцията за обслужване на външното устройство), след което проверете достъпните устройства Bluetooth в списъка. Изберете "BP PS05.2DB" за свързване, след успешното сдвояване мигащото съобщение "BLUE" ще бъде показано без мигане.
- Изберете и включете музика от външното устройство Bluetooth, а след това звукът ще бъде възпроизведен с помощта на високоговорителя на това устройство.
- Натиснете бутон предишно/следващо, за да изберете предишното и следващото произведение по време на възпроизвеждането.
- В режим Bluetooth са достъпни следните функции: възпроизвеждане / пауза, изключване на звука, еквалайзер, корекция на високите и ниските тонове. Подробна информация ще намерите в точка „Общи принципи на обслужване“ в настоящата инструкция.

Забележки:

- Не може да се гарантира правилна връзка с всички устройства Bluetooth поради различните конструкции и марки на устройствата.
- Работното разстояние в режим Bluetooth е 10 метра без никакви препятствия.
- Устройството може да бъде сдвоено и да работи съвместно само с едно устройство Bluetooth едновременно.
- В случай на телефонно обаждане по време на възпроизвеждане Bluetooth - музиката ще спре за момент и възпроизвеждането ще продължи след завършване на телефонния разговор.
- Натиснете бутона за сдвояване на дистанционното управление, за да завършите текущата връзка с устройството Bluetooth и да започнете сдвояване с друго устройство.

Работа в режим AUX IN

За да свържете и да възпроизведете музика от друг плейър или устройство, трябва да следвате инструкцията по-долу: С помощта на аудио кабел свържете гнездото AUX IN на горния панел на устройството с линейния изход или гнездото за слушалки на плейъра, като например MP3 плейър, CD, DVD, миксер и т.н. След това изберете и възпроизведете музиката във външния плейър и звукът ще бъде възпроизведен посредством това устройство.

В режим AUX-IN главното управление на възпроизвеждането се извършва от външен плейър. В това устройство можете да регулирате силата на звука, да изключите звука и да регулирате нивото на ниските и високите честоти.

Караоке

Комплектът на устройството съдържа 1 безжичен микрофон и 2 входа за жични микрофони, които позволяват пеене на песни по време на музикално събитие. Преди да използвате приложения безжичен микрофон, отворете отделението за батериите, поставете 2 батерии AA (не са включени в доставката) в съответствие със символа на полюсите +/-, след това затворете отделението и включете микрофона. Устройството ще се свърже автоматично с микрофона. Регулирайте подполющата сила на звука на микрофона, като завъртите копчето за сила на звука на микрофона на горния панел. Микрофонът е готов за употреба.

Свържете жичен микрофон (не е включен в комплекта) към гнездото 6,3 mm, включете микрофона и можете да започнете да пеете.

Указания:

- a. Ако използвате микрофон за обслужване на функция караоке, можете да използвате съответните копчета, за да регулирате настройките на високите тонове / басите / ехото.
- b. Високоговорителят може да емитира силен шум или смущения в момента, когато нивото на звука, настройките на басите и сопраните или функцията ехо са зададени на твърде високо ниво. Това не е неизправност. Трябва да намалите нивото на горните настройки, след което да включите или да изключите микрофона.
- c. Нашето устройство предлага функция за приоритет на микрофона. Ако посредством дистанционното управление изберете тази функция, гласът на караоке ще се възпроизвежда с помощта на високоговорителите и ще има приоритет (без фонова музика); когато пеенето завърши, възпроизвеждането на музика ще започне автоматично.
- d. Можете да използвате функцията караоке и да слушате музика едновременно; В случай, когато трябва да увеличите силата на звука на караоке и да намалите нивото на фоновата музика, можете отделно да регулирате нивото на звука на микрофона и нивото на високоговорителя като използвате съответните копчета.
- e. Трябва да изключите микрофона, когато бъде поставен до високоговорителя, в противен случай това ще предизвика голям шум.

Решаване на проблеми

1. Високоговорителят не може да се включи.
 - a. Проверете, дали захранването е свързано правилно.
2. Липса на звук.
 - a. Опитайте да регулирате въртящото копче за силата на звука и проверете източника на възпроизвеждане.
 - b. Свържете се със сервизен център, ако проблемът не бъде отстранен.
3. Деформиране на звука.
 - a. Опитайте да адаптирате и да възпроизведете музиката с по-ниско ниво на звука.
 - b. Проверете състоянието на регулирането на високите / ниските тонове.
4. Шум при слушане на радиостанция FM.
 - a. Преместете устройството на друго място с цел приемане на по-добър сигнал на радиостанцията.
 - b. Включете отново сканиране или сменете радиостанцията.

Спецификация

Източник на захранване: AC 110-240V, 50/60 Hz.

Честота FM: 87,5-108,0 MHz.

USB порт: 5V, 500 mA, версия 2.0 обслужвани USB памети до 32 GB.

Bluetooth: V2.1 + EDR, работно разстояние до 10m

Изходна мощност RMS: 2 x 30 W.

Регулиране на ниски и високи тонове: -9dB ~ + 9dB.

Микрофон: вход 2 x 6,3 mm, свързване на микрофон с кабел; 1 x безжичен микрофон

Акумулатор: 12V / 4000 mAh; време за зареждане: 3 ~ 4 часа; време на възпроизвеждане: 2 ~ 3 часа.

Консумация на мощност: 80W

Консумация на мощност в режим готовност: <0,5 W.

(Горната спецификация може да бъде променена без предизвестие.)

ΣΗΜΑΝΤΙΚΕΣ ΠΛΗΡΟΦΟΡΙΕΣ ΣΧΕΤΙΚΑ ΜΕ ΤΗΝ ΑΣΦΑΛΕΙΑ



ΠΡΟΕΙΔΟΠΟΙΗΣΗ



**ΚΙΝΔΥΝΟΣ ΗΛΕΚΤΡΟΠΛΗΞΙΑΣ
ΜΗΝ ΑΝΟΙΓΕΤΕ**

Προειδοποίηση:

Για να μειώσετε τον κίνδυνο ηλεκτροπληξίας, δεν επιτρέπεται να αποσυναρμολογήσετε το κάλυμμα ούτε το οπίσθιο μέρος της συσκευής. Μέσα στη συσκευή δεν υπάρχουν εξαρτήματα προορισμένα για επισκευή από τον χρήστη. Η συντήρηση και η επισκευή του εξοπλισμού εκτελείται αποκλειστικά από τους εξουσιοδοτημένους υπάλληλους σέρβις.

Εξήγησης γραφικών συμβόλων



Το σύμβολο αστραπής με το βέλος στην άκρη της μέσα στο ισόπλευρο τρίγωνο προειδοποιεί τον χρήστη από μη μονωμένη, "επικίνδυνη ηλεκτρική τάση" στο περίβλημα της συσκευής που μπορεί να έχει την τιμή η οποία προκαλεί ηλεκτροπληξία.



Το σύμβολο θαυμαστικού στο ισόπλευρο τρίγωνο προειδοποιεί τον χρήστη ότι σε αυτό τον τόπο των τεκμηρίωσης που συνάπτεται στη συσκευή, παρουσιάζονται σημαντικές πληροφορίες σχετικά με τον χειρισμό και τη συντήρηση της συσκευής.

Παρακαλούμε να διαβάσετε αυτές τις οδηγίες χρήσης πριν αρχίσετε να χειρίζεστε τη συσκευή, για να γνωρίσετε τις λειτουργίες της και για τη χρησιμοποίησή της σύμφωνα με τον προορισμό της. Έτσι διασφαλίζετε τον διαρκή χειρισμό της συσκευής χωρίς βλάβες και απόλαυση από τη χρήση της συσκευής.

Σημαντικές πληροφορίες

- Πρέπει να κρατήσετε τις οδηγίες χρήσης και τις πληροφορίες σχετικά με την ασφάλεια με σκοπό τη μελλοντική χρήση τους.
- Μην επιτρέψετε κανένα υγρό να στάξει ή να χυθεί στη συσκευή.
- Δεν επιτρέπεται να χρησιμοποιήσετε τη συσκευή σε μέρη με υγρασία όπως π.χ. μπάνιο.
- Δεν επιτρέπεται να εγκαταστήσετε αυτή τη συσκευή στα ακόλουθα μέρη:
 - Μέρη εκτεθειμένα στην άμεση ακτινοβολία ή κοντά σε θερμάστρες.
 - Μην τοποθετείτε πάνω στη συσκευή άλλο εξοπλισμό στερεό που εκπέμπει θερμότητα.
- Όπου μπλοκάρεται ο εξαερισμός ή σε μέρος με σκόνη.
- Σε μέρη εκτεθειμένα σε συνεχείς δονήσεις.
- Σε μέρη με μεγάλη υγρασία.
- Δεν επιτρέπεται να τοποθετήσετε τη συσκευή δίπλα σε κερία και ανοιχτή φλόγα.
- Μπορείτε να χρησιμοποιήσετε τη συσκευή με τον τρόπο που περιγράφεται στις παρούσες οδηγίες χρήσης.
- Πριν από την πρώτη ενεργοποίηση, πρέπει να βεβαιωθείτε ότι το τροφοδοτικό είναι κατάλληλα συνδεδεμένο.
- Η μνήμη USB συνδεδεμένη άμεσα ή με επέκταση USB μήκους έως 25 cm.

Για λόγους ασφαλείας δεν επιτρέπεται να αποσυναρμολογήσετε το περίβλημα ούτε να έχετε πρόσβαση στο μέσο της συσκευής. Η συσκευή πρέπει να επισκευαστεί από το εξειδικευμένο προσωπικό του σέρβις.

Δεν επιτρέπεται να ξεβιδώσετε τη συσκευή ούτε να ανοίξετε το περίβλημά της, γιατί μέσα δεν υπάρχουν εξαρτήματα που μπορεί να επισκευαστούν από τον χρήστη. Η συντήρηση και η επισκευή του εξοπλισμού εκτελείται αποκλειστικά από τους εξουσιοδοτημένους υπάλληλους σέρβις.

ΣΗΜΑΝΤΙΚΕΣ ΠΛΗΡΟΦΟΡΙΕΣ ΣΧΕΤΙΚΑ ΜΕ ΤΗΝ ΑΣΦΑΛΕΙΑ

1. Διαβάστε τις οδηγίες χρήσης – πριν χρησιμοποιήσετε τη συσκευή πρέπει να διαβάσετε όλες τις οδηγίες χρήσης και τις πληροφορίες για την ασφάλεια.
2. Φυλάξτε τις οδηγίες χρήσης – πρέπει να φυλάξετε τις οδηγίες χρήσης και χειρισμού με σκοπό να τις χρησιμοποιήσετε στο μέλλον.
3. Κολοιθήστε τις προειδοποιήσεις – πρέπει να ακολουθήσετε όλες τις προειδοποιήσεις που είναι τοποθετημένες πάνω στη συσκευή και να ακολουθήσετε τις οδηγίες χρήσης.
4. Ακολουθήστε τις οδηγίες χρήσης – πρέπει να ακολουθήσετε τις οδηγίες χρήσης και τις συμβουλές για τον χρήστη.
5. Εγκατάσταση – πρέπει να τοποθετήσετε τη συσκευή σύμφωνα με τις οδηγίες του κατασκευαστή.
6. Πηγή τροφοδοσίας – η συσκευή πρέπει να τροφοδοτηθεί αποκλειστικά από τις πηγές με τις παραμέτρους που αναφέρονται στις επισημανσεις του καλωδίου τροφοδοσίας. Αν ο χρήστης δεν είναι σίγουρος ποιαου τύπου τροφοδοσία έχει στο σπίτι του, πρέπει να επικοινωνήσει με τον πωλητή της συσκευής ή τον τοπικό προμηθευτή ηλεκτρικής ενέργειας.
7. Γείωση και πόλωση της συσκευής – η συσκευή πρέπει να έχει γείωση. Πρέπει να βεβαιωθείτε ότι το φως είναι τελικά τοποθετημένο στην πρίζα ηλεκτρικού δικτύου ή της επέκτασης, για να μην αφήσετε τους πεύρους ή τους επαφές το φως χωρίς κάλυμμα. Κάποιες εκδόσεις της συσκευής μπορεί να είναι εξοπλισμένες με πολωμένο φως εναλασσόμενο ρεύματος (με έναν πείρο πλατύτερο). Μπορείτε να βάλετε αυτό το φως στην πρίζα μόνο με έναν τρόπο. Αυτό είναι η λειτουργία προστασίας. Αν δεν μπορείτε να βάλετε το φως στην πρίζα, πρέπει να το περιστρέψετε. Αν το φως εξακολουθεί να μην ταιριάζει στην πρίζα, πρέπει να δώσετε εντολή στον ηλεκτρολόγο να αντικαταστήσει την πρίζα. Δεν επιτρέπεται να βγάλετε τα προστατευτικά του πολωμένου φως. Όταν χρησιμοποιείτε επέκταση ή καλώδιο τροφοδοσίας διαφορετικό από αυτό που παραδίδεται μαζί με τη συσκευή, αυτά πρέπει να έχουν κατάλληλα φως και το πιστοποιητικό ασφαλείας.
8. Προστασία του καλωδίου τροφοδοσίας – τα καλώδια τροφοδοσίας πρέπει να δρομολογούνται έτσι, ώστε να μην τα πατάτε, να μην τα πιέζετε και μην τα κόβετε με τοποθετημένα πάνω τους αντικείμενα. Δώστε ειδική σημασία στα φως, τις πρίζες ηλεκτρικού δικτύου και του τόπου όπου τα καλώδια είναι τοποθετημένα μέσα στη συσκευή.
9. Υπερφόρτωση – Δεν επιτρέπεται να υπερφορτώσετε τις ηλεκτρικές πρίζες τοίχου, τις επεκτάσεις και τους διαχωριστές, γιατί αυτό προκαλεί κίνδυνο πυρκαγιάς ή ηλεκτροπληξίας.
10. Εξαερισμός – η συσκευή πρέπει να έχει κατάλληλο εξαερισμό. Δεν επιτρέπεται να τοποθετήσετε τη συσκευή πάνω σε ένα κρεβάτι, έναν καναπέ ή σε παρόμοιες επιφάνειες. Δεν επιτρέπεται να καλύψετε τη συσκευή με τραπέζιματλητα, πετσέτες, εφημερίδες κλπ.

PS05.2DB

12. Νερό και υγρασία – για να μειώσετε τον κίνδυνο πυρκαγιάς ή ηλεκτροπληξίας, δεν επιτρέπεται να εκθέτετε τη συσκευή στην άμεση επίδραση βροχής, νερού και υγρασίας όπως π.χ. στη σάουνα ή το μπάνιο. Μην χρησιμοποιείτε την παρούσα συσκευή δίπλα σε νερό, π.χ. δίπλα σε μια μπανιέρα, νιπτήρα, νεροχύτη κουζίνας ή σκάφη, σε ένα υπόγειο με υγρασία ή δίπλα σε πισίνα (ή σε παρόμοιους τόπους).
13. Αντικείμενα και υγρά μέσα στη συσκευή – δεν επιτρέπεται να πιέσετε οποιοδήποτε αντικείμενο μέσα από τα ανοίγματα της συσκευής, γιατί αυτά μπορεί να έχουν επαφή με τα σημεία της επικίνδυνης ηλεκτρικής τάσης και τα υποστήματα και αυτό μπορεί να προκαλέσει πυρκαγιά. Σε καμία περίπτωση μη χύσετε οποιοδήποτε υγρό δίπλα στη συσκευή. Δεν επιτρέπεται να βάζετε πάνω στη συσκευή τα αντικείμενα που περιέχουν υγρά.
14. Καθαρισμός – πάντα πρέπει να αποσυνδέετε τη συσκευή από την πρίζα ηλεκτρικού δικτύου πριν από καθαρισμό. Η σκόνη γύρω από το ηχείο μπορεί να αφαιρεθεί με ένα ύφασμα. Αν χρησιμοποιήσετε ένα αερόβλυστο για καθαρισμό, μην κατευθύνετε τη ροή ψεκασμού άμεσα στη συσκευή, αλλά σε ένα πανί. Πρέπει να προσέχετε να μη χαλάσετε τις μονάδες μετάδοσης κίνησης.
15. Πρόσθετος εξοπλισμός – μη χρησιμοποιήσετε αξεσουάρ που δεν επιτρέπονται από τον κατασκευαστή, γιατί αυτά μπορούν να προκαλέσουν κίνδυνο.
16. Αξεσουάρ – μην τοποθετείτε τη συσκευή σε ασταθές καροτσάκι, υποστήριγμα, τρίποδο, βάση ή τραπέζι. Η συσκευή μπορεί να ανατραπεί και να χαλάσει καθώς και να προκαλέσει σοβαρά τραύματα σε παιδιά και σε ηλικιωμένα πρόσωπα. Πρέπει να χρησιμοποιήσετε αποκλειστικά καροτσάκια, υποστήριγματα, τρίποδα, βάσεις ή τραπέζια που ορίζονται από τον κατασκευαστή ή που πωλούνται μαζί με τη συσκευή. Εκτελέστε τη συναρμολόγηση της συσκευής σύμφωνα με τις οδηγίες του κατασκευαστή με χρήση του σετ συναρμολόγησης που προτείνεται από τον κατασκευαστή.
17. Μεταφορά της συσκευής – πρέπει να μεταφέρετε τη συσκευή τοποθετημένη σε καροτσάκι πολύ προσεκτικά. Ξαφνικό σταμάτημα, υπερβολική δύναμη ή ανώμαλες επιφάνειες μπορεί να προκαλέσουν ανατροπή στο καροτσάκι μαζί με τη συσκευή.
18. Περίοδος όταν η συσκευή δεν χρησιμοποιείται – πρέπει να αποσυνδέσετε το καλώδιο τροφοδοσίας από την πρίζα ηλεκτρικού δικτύου κατά τις καταιγίδες με κεραυνούς ή όταν δεν χρησιμοποιείτε τη συσκευή πολλή ώρα.
19. Σέρβις – μην δοκιμάσετε να εκτελέσετε επιθεωρήσεις της συσκευής μόνοι σας. Το να ανοίξετε το κάλυμμα μπορεί να προκαλέσει επαφή με επικίνδυνη ηλεκτρική τάση και να εκτεθεί ο χρήστης σε άλλους κινδύνους. Η συντήρηση και η επισκευή του εξοπλισμού εκτελείται αποκλειστικά από τους εξουσιοδοτημένους υπάλληλους σέρβις.
20. Όταν δεν χρησιμοποιείτε τη συσκευή, πρέπει να αποσυνδέσετε το φως της από την πρίζα ηλεκτρικού δικτύου. Όταν η συσκευή είναι συνδεδεμένη στην πηγή ηλεκτρικής ενέργειας, είναι στον τρόπο λειτουργίας αναμονής και δεν είναι απολύτως απενεργοποιημένη.
21. Ανταλλακτικά – όταν αντικαθιστάτε εξαρτήματα πρέπει να ελέγχετε αν ο υπάλληλος του σέρβις έχει χρησιμοποιήσει τα ανταλλακτικά που προτείνονται από τον κατασκευαστή ή τα εξαρτήματα είναι ίδια όπως τα γνήσια εξαρτήματα. Η αντικατάσταση εξαρτημάτων με μην εγκεκριμένα προκαλεί κίνδυνο πυρκαγιάς, ηλεκτροπληξίας και άλλους κινδύνους.
22. Κύριες ηλεκτρικές ασφάλειες – για να προστατέψετε με συνεχή τρόπο τη συσκευή από πιθανή πυρκαγιά, πρέπει να χρησιμοποιήσετε τις ασφάλειες κατάλληλου τύπου και παραμέτρων. Οι παράμετροι των ασφαλειών του ορισμένου φάσματος της ηλεκτρικής τάσης επισημαίνονται πάνω στη συσκευή.
23. Δεν επιτρέπεται να αυξήσετε την ένταση ήχου όταν ακούτε ένα κομμάτι το οποίο έχει χαμηλή ένταση ήχου ή όταν δεν υπάρχει σήμα ήχου εισόδου. Σε αντίθετη περίπτωση, ενδέχεται να χαλάσετε το ηχείο με την ξαφνική αύξηση της έντασης του σήματος.
24. Η μοναδική λύση να αποσυνδέσετε πλήρως τη συσκευή από την πηγή ηλεκτρικής ενέργειας είναι η αποσύνδεση του καλωδίου τροφοδοσίας από την πρίζα ηλεκτρικής ενέργειας ή από τη συσκευή. Η πρίζα ηλεκτρικού δικτύου ή η υποδοχή του καλωδίου τροφοδοσίας στη συσκευή πάντα πρέπει να είναι διαθίσιμες κατά τη χρήση της συσκευής.
25. Η συσκευή πρέπει να τοποθετηθεί δίπλα σε πρίζα ηλεκτρικού δικτύου ή επέκταση έτσι ώστε να είναι πάντα διαθέσιμες.
26. Η μέγιστη θερμοκρασία περιβάλλοντος πρέπει είναι 35°C.
27. Οδηγίες σχετικά με τις ηλεκτροστατικές εκκινήσεις – αν η λειτουργία της συσκευής διαταράσσεται με τις ηλεκτροστατικές εκκινήσεις, πρέπει να την απενεργοποιήσετε και να την ενεργοποιήσετε ξανά ή να μεταφέρετε τη συσκευή σε άλλο τόπο.
28. Μπαταρία
 - a. Δεν επιτρέπεται να εκθέτετε τις μπαταρίες στη δράση υπερβολικής ζέστης όπως π.χ. ηλιακή ακτινοβολία.
 - b. Κατά τη διάθεση των μπαταριών, πρέπει να δώσετε σημασία στις παραμέτρους της προστασίας του περιβάλλοντος.
 - c. Προειδοποίηση σχετικά με χρήση των μπαταριών: για να μην επιτρέψετε αποσφράγιση των μπαταριών που μπορεί να προκαλέσει τραύματα ή να χαλάσει τη συσκευή:
 - Όταν βάζετε τη μπαταρία δώστε σημασία στην πόλωση της (+ και -).
 - Δεν επιτρέπεται να χρησιμοποιήσετε ταυτόχρονα διαφορετικές μπαταρίες - καινούργιες και μεταχειρισμένες, τις μπαταρίες στάνταρ και αλκαλικές κλπ.
 - Πρέπει να βγάλετε τις μπαταρίες από τη συσκευή δεν τη χρησιμοποιείτε πολλή ώρα.

ΠΡΟΕΙΔΟΠΟΙΗΣΗ

Η συσκευή δεν επιτρέπεται να χρησιμοποιηθεί από πρόσωπα (συμπεριλαμβανόμενων των παιδιών) με μειωμένη φυσική και αισθητηριακή ικανότητα και τα πρόσωπα με ανεπαρκή γνώση και εμπειρία, αν δεν είναι υπό την εποπτεία του προσώπου που είναι υπεύθυνο για την ασφάλειά τους και δεν έχουν εκπαιδευθεί πως να χρησιμοποιούν τη συσκευή με ασφαλή τρόπο. Η παρουσία των ενηλίκων απαιτείται όταν τα παιδιά χειρίζονται τη συσκευή· έτσι θα διασφαλιστεί την ασφαλή χρήση της συσκευής.

1. Δεν επιτρέπεται να αφήνετε τη συσκευή όταν λειτουργεί χωρίς καμία εποπτεία! Πρέπει να απενεργοποιείτε τη συσκευή όταν δεν τη χρησιμοποιείτε, ακόμη για ένα σύντομο διάστημα.
2. Δεν επιτρέπεται να μεταχειρίζεστε τη συσκευή μέσα από ένα εξωτερικό ρολόι με χρονικό σύστημα ούτε με ξεχωριστό σύστημα τηλεχειρισμού.
3. Για να αποφύγετε κίνδυνο σε περίπτωση βλάβης του καλωδίου τροφοδοσίας, η αντικατάστασή του πρέπει να εκτελείτε από τον κατασκευαστή, την εξουσιοδοτημένη υπηρεσία σέρβις ή άλλο πρόσωπο που διαθέτει τα κατάλληλα προσόντα.
4. Πριν αρχίσετε να χειρίζεστε τη συσκευή, πρέπει να ελέγξετε αν η τάση της είναι συμβατή με την τάση του τοπικού ηλεκτρικού δικτύου.
5. Δεν επιτρέπεται να καλύψετε τα ανοίγματα εξαερισμού π.χ. με εφημερίδες, τραπέζομάντηλα, κουρτίνες κλπ.. Πρέπει να βεβαιωθείτε ότι πάνω από τη συσκευή υπάρχει ένας ελεύθερος χώρος τουλάχιστον 20 cm και από κάθε πλευρά της - τουλάχιστον 5 cm.
6. Δεν επιτρέπεται να στάξει ή να χυθεί κανένα υγρό στη συσκευή και δεν επιτρέπεται να βάζετε πάνω στη συσκευή κανένα αντικείμενο γεμάτο με υγρό όπως π.χ. ένα βάζο.
7. Για να αποφύγετε πυρκαγιά ή ηλεκτροπληξία, πρέπει να προστατεύετε τη συσκευή από ζεστούς τόπους, τη δράση της βροχής, της υγρασίας και της σκόνης.
8. Δεν επιτρέπεται να τοποθετείτε τη συσκευή κοντά σε οποιαδήποτε πηγή νερού όπως π.χ. βρύσες, μπανιέρες, πλυντήρια ή πισίνες κολύμβησης. Η συσκευή πρέπει να τοποθετηθεί σε μια ίσια και σταθερή βάση.

PS05.2DB

9. Δεν επιτρέπεται να εκθέσετε τη συσκευή σε ισχυρό μαγνητικό πεδίο.
10. Δεν επιτρέπεται να βάζετε τη συσκευή αμέσως στον ενισχυτή, δέκτη ή διακόπτη.
11. Δεν επιτρέπεται να βάζετε τη συσκευή σε ένα μέρος με υγρασία, γιατί η υγρασία έχει αρνητική επίδραση στα ηλεκτρικά συστήματα.
12. Μετά από μεταφορά της συσκευής από κρύο σε ζεστό τόπο ή σε τόπο με υγρασία, μπορεί να προκληθεί υγραποίηση της υγρασίας πάνω στον φακό μέσα στη συσκευή αναπαραγωγής. Σε μια τέτοια περίπτωση η συσκευή δεν θα λειτουργήσει σωστά. Πρέπει να αφήσετε τη συσκευή απενεργοποιημένη για περίπου μια ώρα, για να επιτρέψετε την εξάτμιση της υγρασίας.
13. Δεν επιτρέπεται να καθαρίζετε τη συσκευή με χημικούς διαλύτες, γιατί μπορεί να χαλάσουν το βερνίκι του περιβλήματος. Σκουπίστε τη συσκευή με ένα καθαρό, στεγνό ή λίγο μουσκεμένο πανί.
14. Όταν βγάσετε το φικ από την πρίζα τοίχου, πάντα πρέπει να τραβάτε το φικ και όχι το καλώδιο.
15. Όταν η ενεργοποιημένη συσκευή χρησιμοποιείται δίπλα σε ενεργοποιημένη τηλεόραση, μπορεί να είναι πηγή διαταραχών όρασης με τη μορφή γραμμών στην οθόνη. Αυτό εξαρτάται από τη ζώνη κυμάτων μετάδοσης της TV. Αυτό δεν σημαίνει ότι η συσκευή ή η τηλεόραση δεν λειτουργούν κατάλληλα. Αν αυτές γραμμές είναι ορατές, πρέπει να απομακρύνετε τη συσκευή από την τηλεόραση.
16. Το φικ ηλεκτρικού δικτύου χρησιμοποιείται για αποσύνδεση της ηλεκτρική τάσης τροφοδοσίας και πάντα πρέπει να είναι διαθέσιμο.
17. Για να μην επιτρέψετε πιθανή απώλεια ακοής, δεν επιτρέπεται να ακούτε μουσική πολύ δυνατά για πολλή ώρα.

ΠΡΟΣΟΧΗ**Δήλωση**

Δια του παρόντος η εταιρεία Blaupunkt Competence Center 2N-Everpol Sp. z o.o. δηλώνει ότι η παρούσα συσκευή είναι συμβατή με τις προϋποθέσεις και τις λοιπές σχετικές προβλέψεις της οδηγίας 2014/53 / EE. Μπορείτε να λάβετε την πλήρη δήλωση συμβατότητας από την ιστοσελίδα www.blaupunkt.com στην καρτέλα του προϊόντος.

Κάτοχος άδειας κυκλοφορίας: 2N-Everpol Sp. Z o.o.
Puławska 403A, 02-801 Warszawa, Πολωνία
Τηλέφωνο: +48 22 688 08 00, e-mail: info@everpol.pl



Το προϊόν κατασκευάστηκε από υλικά υψηλής ποιότητας και τα συστήματα, τα οποία μπορούν να ανακυκλωθούν και να χρησιμοποιηθούν ξανά.



Αν πάνω στη συσκευή υπάρχει το σύμβολο του διαγραμμένου κάδου, αυτό σημαίνει ότι το προϊόν καλύπτεται από τις προβλέψεις της ευρωπαϊκής οδηγίας 2012/19/EE. Πρέπει να εξοικειωθείτε με τις απαιτήσεις του τοπικού συστήματος συγκέντρωσης απορριπτόμενου εξοπλισμού και υπολειμμάτων υλικού διάλυσης. Πρέπει να ακολουθήσετε τους τοπικούς κανονισμούς. Μην απορρίψετε το προϊόν μαζί με τα κανονικά οικιακά απορρίμματα. Η σωστή διάθεση του παιαίου προϊόντος προστατεύει από αρνητικά αποτελέσματα για το φυσικό περιβάλλον και την ανθρώπινη υγεία.



Η συσκευή είναι εξοπλισμένη με μπαταρίες οι οποίες ορίζονται με την ευρωπαϊκή οδηγία 2006/66/EC. Δεν επιτρέπεται να απορρίψετε τις μπαταρίες μαζί με τα οικιακά απορρίμματα. Πρέπει να εξοικειωθείτε με τους τοπικούς κανονισμούς για την ξεχωριστή συγκέντρωση των μπαταριών, διότι η κατάλληλη διάθεση προστατεύει από πιθανά αρνητικά αποτελέσματά της για το φυσικό περιβάλλον και την ανθρώπινη ζωή.

Πληροφορίες για την προστασία του περιβάλλοντος

Η συσκευασία περιέχει μόνο τα απαραίτητα στοιχεία. Έχει καταβληθεί κάθε δυνατή προσπάθεια ώστε τα τρία συστατικά της συσκευασίας να διαχωριστούν εύκολα: χαρτί (κουτί), αφρός πολυστερίνης (προστατευτικά μέσα στη συσκευασία) και πολυαιθυλένιο (σακούλες, προστατευτικό φύλλο). Η συσκευή κατασκευάστηκε από υλικά τα οποία μπορούν να ανακυκλωθούν και να χρησιμοποιηθούν ξανά μετά την αποσυρμολόγησή τους. Πρέπει να ακολουθήσετε τους τοπικούς κανονισμούς σχετικά με τη διάθεση των υλικών συσκευασίας, των μεταχειρισμένων μπαταριών και των περιττών συσκευών. Η εγγραφή και αναπαραγωγή υλικού μπορεί να απαιτήσει σχετική άδεια. Βλέπε το περί πνευματικών δικαιωμάτων και των δικαιωμάτων/δημιουργών/καλλιτεχνών νόμο.

Παρατήρηση σχετικά με τις ERP2 (Συσκευές σχετικά με την ενέργεια)

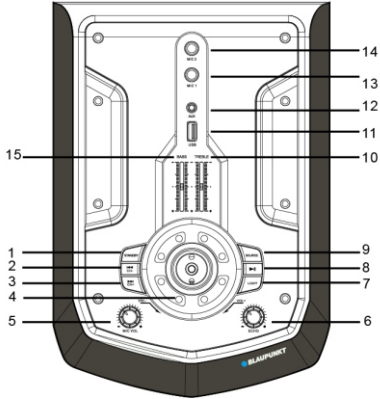
Η παρούσα συσκευή είναι οικολογικού σχεδιασμού και πληροί τις απαιτήσεις της φάσης 2 του Κανονισμού (ΕΚ) αριθ. 1275/2008 της Επιτροπής περί εφαρμογής της οδηγίας 2009/125/ΕΚ σχετικά με την κατανάλωση ενέργειας σε κατάσταση απενεργοποίησης και αναμονής του ηλεκτρικού και ηλεκτρονικού εξοπλισμού γραφείου και οικιακού εξοπλισμού.



Ο κάτοχος των εμπορικών σημάτων και του λογότυπου Bluetooth® είναι η εταιρεία Bluetooth SIG, Inc. USA. Η εκμετάλλευση αυτών των σημάτων και του λογότυπου καλύπτεται από την άδεια χρήσεως. Άλλα σήματα και εμπορικές ονομασίες αποτελούν κυριότητα σχετικών ιδιοκτητών.

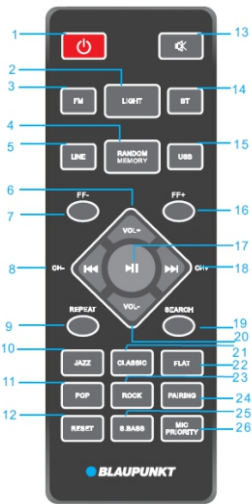
Ευχαριστούμε για την αγορά της συσκευής μας. Πριν αρχίσετε τον χειρισμό, πρέπει να διαβάσετε προσεκτικά και να εξοικειωθείτε με τις παρούσες οδηγίες χρήσης. Παρακαλούμε κρατήστε τις οδηγίες χρήσης για μελλοντική χρήση τους.

Πάνελ χειρισμού



- 1 – Κουμπι κατάστασης αναμονής (ενεργοποίηση/απενεργοποίηση).
- 2,3- Προηγούμενο / επόμενο / κανάλι / κανάλι +.
- 4- Έλεγχος έντασης ήχου.
- 5- Περιστρεφόμενος διακόπτης ρύθμισης έντασης ήχου μικρόφωνου.
- 6- Περιστρεφόμενος διακόπτης ρύθμισης ηχούς μικρόφωνου.
- 7- Φωτισμός discο.
- 8- Αναπαραγωγή / παύση.
- 9- Πηγή.
- 10,15- Ρύθμιση μπάσων και σοπράνων.
- 11 - Υποδοχή USB.
- 12- Υποδοχή AUX IN.
- 13,14- Εξοδος μικροφώνου 1 και 2.

Τηλεχειριστήριο



- 1 - Κουμπι λειτουργίας.
- 2- Κουμπι ενεργοποίησης/απενεργοποίησης φωτισμού discο.
- 3,5,14,15- Κουμπι FM / LINE IN / Bluetooth / USB;
- 4- Κουμπι ενεργοποίησης/απενεργοποίησης τυχαιάς αναπαραγωγής / κουμπι μνήμης.
- 6,20- Ένταση ήχου +/-.
- 7,16- Κουμπι γρήγορης κύλισης FF - / +.
- 8,18- Προηγούμενο / επόμενο, κουμπι κανάλι - / +.
- 9- Κουμπι επανάληψης (επανάληψη ενός κομματιού / επανάληψη όλων / απενεργοποίηση).
- 10,11,21,22,23- Τρόποι λειτουργίας ισοσταθμιστή (εκουαλιζερ) EQ (jazz / pop / κλασικός / επίπεδος / rock).
- 12- Κουμπι reset.
- 13- Κουμπι σίγασης.
- 17- Αναπαραγωγή / παύση.
- 19- Κουμπι αναζήτησης.
- 24- Κουμπι σύνδεσης.
- 25- Κουμπι Super Bass.
- 26- Κουμπι προτεραιότητας μικροφώνου.

Σύνδεση τροφοδοσίας:

Παρακαλούμε ελέγξτε αν η πηγή τροφοδοσίας είναι συμβατή με την προδιαγραφή της ονομαστικής τάσης που βρίσκεται στο οπίσθιο πάνελ της συσκευής. Αν δεν είναι συμβατή, τότε πρέπει να επικοινωνήσετε με τον πωλητή ή με το κέντρο σέρβις. Βάλτε τη θηλυκή άκρη του καλωδίου τροφοδοσίας στην υποδοχή της συσκευής και στη συνέχεια συνδέστε το φις του καλωδίου τροφοδοσίας στην πρίζα τοίχου με σκοπό να αποκτήσετε την πηγή τροφοδοσίας. Ενεργοποιήστε τη συσκευή με χρήση του διακόπτη που βρίσκεται στο οπίσθιο πάνελ. Πατήστε το κουμπι τροφοδοσίας στο επάνω πάνελ ή στο τηλεχειριστήριο για να ενεργοποιηθεί την οθόνη και αυτό σημαίνει ότι η σύνδεση της τροφοδοσίας πέτυχε και μπορείτε να αρχίσετε τον χειρισμό της συσκευής.

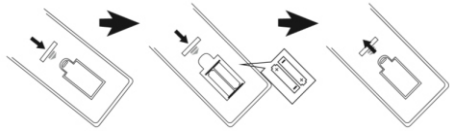
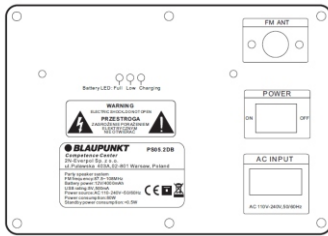
Τροφοδοσία από τις μπαταρίες και φόρτιση: Η συσκευή έχει ενσωματωμένο συσσωρευτή (12 V / 4000 mAh) ο οποίος επιτρέπει την αναπαραγωγή μουσικής χωρίς σύνδεση με το εναλασσόμενο ρεύμα. Ο συσσωρευτής είναι φορτισμένος όταν τροφοδοτείται με το εναλασσόμενο ρεύμα. Η κόκκινη δίοδος LED πάνω στο οπίσθιο πάνελ θα λάμψει κατά τη φόρτιση και θα αλλάξει το χρώμα της σε μπλε, όταν ο συσσωρευτής φορτιστεί πλήρως. Αν λόγω χαμηλού επιπέδου φόρτισης του συσσωρευτή η δίοδος LED λάμψει με κίτρινο χρώμα, πρέπει να συνδέσετε τη συσκευή στη φόρτιση. Το ηχείο θα απενεργοποιηθεί αυτόματα, σε περίπτωση εξάντλησης του συσσωρευτή.

23 ώρες διάρκεια μπαταρίας με τις ακόλουθες ρυθμίσεις:

Πηγή: Bluetooth
Λειτουργία ισοσταθμιστή: Flat,

Επίπεδο έντασης ήχου: 10
Ρυθμίσεις μπάσων και πρίμων: 0

Φωτισμός: Απενεργοποίηση
Super Bass: Μέσο επίπεδο.



Συναρμολόγηση της μπαταρίας του τηλεχειριστηρίου

Ανοίξτε το κάλυμμα της θήκης για μπαταρίες και βάλτε α μπαταρίες τύπου AAA (στο σετ). επιβεβαιωθείτε ότι η διάταξη των μπαταριών είναι συμβατή με τα σύμβολα θετικής και αρνητικής πόλωσης που είναι επιγεγραμμένα μέσα στη θήκη. Στη συνέχεια κλείστε το κάλυμμα της θήκης για μπαταρίες.

Παρατηρήσεις:

α. Η λειτουργική απόσταση του τηλεχειριστηρίου είναι 7 μέτρα χωρίς εμπόδια μεταξύ του τηλεχειριστηρίου και της κεντρικής μονάδας. Όταν το τηλεχειριστήριο λειτουργεί πρέπει να έχει την κατεύθυνση στον αισθητήρα που βρίσκεται στην αριστερή γωνία της οθόνης.

β. Η ευαισθησία του τηλεχειριστηρίου μειώνει μαζί με αποφόρτιση της μπαταρίας. Ανταλλάξτε τη με μια καινούρια για να λειτουργήσει το τηλεχειριστήριο σωστά.

γ. Βγάλτε τη μπαταρία σε περίπτωση που δεν θα χρησιμοποιήσετε το τηλεχειριστήριο πολύ καιρό.

δ. Πρέπει να διαθέτετε τις μπαταρίες με τον τρόπο φιλικό για το περιβάλλον. Μάθετε τις απαιτήσεις των τοπικών αρχών σχετικά με τη διάθεση.

Γενικούς χειρισμούς

1. Ενεργοποίηση/απενεργοποίηση: πατήστε το κουμπί κατάστασης αναμονής στο επάνω πάνελ ή το κουμπί τροφοδοσίας στο τηλεχειριστήριο για να ενεργοποιηθεί ή να απενεργοποιηθεί η συσκευή. Βγάλτε το φως από την πρίζα για να σβήσετε την τροφοδοσία.

2. Επιλογή της πηγής αναπαραγωγής Πατήστε το κουμπί επιλογής της πηγής στο επάνω πάνελ ή πατήστε το FM, BT, LINE, το κουμπί USB/SD στο τηλεχειριστήριο για εναλλαγή της πηγής αναπαραγωγής μεταξύ των FM / Bluetooth / Line in / USB/SD.

3. Ρύθμιση έντασης ήχου: Περιστρέψτε το κουμπί ελέγχου έντασης ήχου στο επάνω πάνελ ή πατήστε το κουμπί VOL +/- στο τηλεχειριστήριο για να αυξήσετε ή να μειώσετε την ένταση ήχου.

4. Ρύθμιση μπάσων και σοπράνων: Μετακινήστε προς τα πάνω ή προς τα κάτω τον ολισθητήρα ρύθμισης μπάσων / σοπράνων για να ρυθμίσετε το ηχώχρωμα του αρχικού ήχου.

5. Σίγαση ήχου: το πάτημα του κουμπιού MUTE στο επάνω πάνελ ή στο τηλεχειριστήριο προκαλεί εξασθένηση ήχου. Πατώντας ξανά το κουμπί επαναφέρει τον ήχο στο επίπεδο που είχε προγραμματιστεί προηγουμένως.

6. Προγραμματισμός ισοσταθμιστή (εκουαλιζέρ): πατώντας το κατάλληλο κουμπί στο τηλεχειριστήριο, μπορείτε να αλλάξετε τον τρόπο λειτουργίας του ισοσταθμιστή μεταξύ των Jazz / Classic / Flat / POP / ROCK

7. Αναπαραγωγή / παύση: πατήστε το κουμπί αναπαραγωγής / παύσης για παύση ή να ανανέωση της αναπαραγωγής της μουσικής στον τρόπο λειτουργίας Bluetooth / USB.

8. Επανάληψη και τυχαία αναπαραγωγή: πατήστε το κουμπί επανάληψης για να ενεργοποιηθεί τον κατάλληλο τρόπο επανάληψης της μουσικής. Πατήστε το κουμπί της τυχαίας αναπαραγωγής για να ενεργοποιηθεί / απενεργοποιηθεί τη λειτουργία τυχαίας αναπαραγωγής στον τρόπο λειτουργίας USB

9. Φωτισμός: πατήστε μερικές φορές το κουμπί φωτισμού για εναλλαγή του τρόπου φωτισμού μεταξύ των οχτώ εφέ ή για απενεργοποίησή τους.

10. Reset: πατήστε το κουμπί reset στο τηλεχειριστήριο για να επαναφέρετε τη συσκευή στις ρυθμίσεις εργοστασίου.

Χειρισμός του ραδιοφώνου FM

Πριν αρχίσετε να ακούτε το ραδιόφωνο FM, πρέπει να μεταφέρετε τη συσκευή δίπλα σε ένα παράθυρο με σκοπό την καλύτερη λήψη σήματος FM. Στη συνέχεια συνδέστε την εξωτερική κεραία που παρέχεται στο σετ της συσκευής στην υποδοχή της κεραίας FM του οπίσθιου πάνελ για να λάβετε τις ραδιοφωνικές συχνότητες

1. Αυτόματη σάρωση και προγραμματισμός ραδιοφωνικών σταθμών (αυτόματος τρόπος λειτουργίας): το σύντομο πάτημα του κουμπιού αναπαραγωγής / παύσης στο επάνω πάνελ ή το πάτημα του κουμπιού αναζήτησης στο τηλεχειριστήριο ενεργοποιεί την αυτόματη σάρωση και την αποθήκευση των διαθέσιμων ραδιοφωνικών σταθμών. Αφού ολοκληρωθεί η σάρωση, η συσκευή αρχίζει την αυτόματη αναπαραγωγή του πρώτου προγραμματισμένου σταθμού. (Μέγιστος αριθμός προγραμματισμένων σταθμών: 40)

2. Επιλογή ραδιοφωνικών σταθμών: στον τρόπο λειτουργίας ραδιοφώνου πατήστε το κουμπί επόμενο / προηγούμενο στο επάνω πάνελ ή στο τηλεχειριστήριο για να επιλέξετε και να αναπαραγάγετε τον προηγούμενο ή τον επόμενο προγραμματισμένο σταθμό.

3. Προγραμματισμός ραδιοφωνικών σταθμών (χειροκίνητος τρόπος): πατήστε και κρατήστε για κάποια δευτερόλεπτα το κουμπί επόμενο / προηγούμενο με σκοπό την αυτόματη σάρωση ή πατήστε σύντομα το κουμπί FF +/- στο τηλεχειριστήριο για να ρυθμίσετε τον αγαπημένο σας σταθμό και στη συνέχεια πατήστε το κουμπί αποθήκευσης στη μνήμη για να ενεργοποιηθεί τον τρόπο χειροκίνητου προγραμματισμού, στη συνέχεια πατήστε το κουμπί κανάλι - / + στο τηλεχειριστήριο για να επιλέξετε τη ζητούμενη τοποθεσία του σταθμού, πατήστε ξανά το κουμπί αποθήκευσης στη μνήμη για να επιβεβαιώσετε και να ολοκληρώσετε τον προγραμματισμό.

PS05.2DB

Αναπαραγωγή USB

Η συσκευή έχει τη λειτουργία αναπαραγωγής USB η οποία μπορεί να αποκωδικοποιήσει και να αναπαραγάγει μουσική από φορητές μνήμες USB. Πριν αρχίσετε την αναπαραγωγή, αντιγράψτε τη μουσική MP3 σε μια φορητή μνήμη USB. Βάλτε τη μνήμη USB στη συσκευή, καθώς ο τρόπος λειτουργίας αναπαραγωγής USB είναι διαθέσιμος μόνο όταν η μνήμη USB συνδεθεί κατάλληλα. Στη συνέχεια, η συσκευή αυτόματα ανιχνεύει και αναπαράγει τη μουσική MP3.

Επιλογή κομματιού: πατήστε σύντομα το κουμπί προηγούμενο/επόμενο για να επιλέξετε το προηγούμενο ή το επόμενο κομμάτι. Πατήστε και κρατήστε το κουμπί που χρησιμοποιείται για κύλιση για να κυλίσετε προς τα εμπρός το τρέχον αναπαραγόμενο κομμάτι, απελευθερώστε το κουμπί για να αναπαραγάγετε το επόμενο κομμάτι.

Στον τρόπο λειτουργίας USB διαθέσιμες είναι οι εξής λειτουργίες: αναπαραγωγή, παύση, σίγαση, επανάληψη, ισοσταθμιστής, ρύθμιση σοπράνων / μπάσων / λειτουργία stop κλπ. Για λεπτομέρειες, ανατρέξτε στην παράγραφο «Γενικός χειρισμός» αυτών των οδηγιών χρήσης.

Σημειώσεις:

- Δεν προτείνεται σύνδεση της μνήμης USB μέσα από προεκτάσεις USB, γιατί αυτό μπορεί να επηρεάσει αρνητικά την ποιότητα αναπαραγωγής και να δημιουργήσει θόρυβο ή διακεκομμένο ήχο, λόγω απώλειας δεδομένων ήχου κατά τη μεταφορά των αρχείων.
- Δεν μπορούν να εγγραφθούν την αποκωδικοποίηση και την αναπαραγωγή όλων των κομματιών σε μορφή MP3.
- Η συσκευή εξυπηρετεί τις μνήμες USB μέγιστης χωρητικότητας 32GB.
- Η αυτόματη αναπαραγωγή ορισμένων μνημών USB, λόγω του τύπου και του κατασκευαστή, μπορεί να διαρκέσει λίγο περισσότερο χρόνο. Σημειώστε ότι δεν πρόκειται για δυσλειτουργία.

Λειτουργία Bluetooth

Αυτό το προϊόν διαθέτει τη λειτουργία Bluetooth που επιτρέπει ασύρματη αναπαραγωγή μουσικής από άλλη συσκευή Bluetooth (όπως έξυπνο τηλέφωνο, ταμπλέτα κλπ.).

1. Πατήστε κάποιες φορές το κουμπί πηγής για να μπειτε στη λειτουργία Bluetooth, πάνω στην οθόνη θα προβληθεί το κείμενο "BLUE" και αυτό σημαίνει ότι η συσκευή είναι έτοιμη για χρήση.

2. Ενεργοποιήστε τη λειτουργία Bluetooth στην εξωτερική συσκευή και αναζητήστε τις διαθέσιμες συσκευές (εξοικειωθείτε με τις οδηγίες χρήσης της εξωτερικής συσκευής) και στη συνέχεια ελέγξτε τις διαθέσιμες συσκευές Bluetooth στον κατάλογο. Επιλέξτε το όνομα "BP PS05.2DB" για σύνδεση, η οθόνη με το κείμενο "BLUE" που αναβοσβήνει θα γίνει σταθερή αφού επιτευχθεί η σύνδεση.

3. Επιλέξτε και αναπαραγάγετε τη μουσική ξανά από την εξωτερική συσκευή Bluetooth και στη συνέχεια ο ήχος θα αναπαραχθεί με χρήση του ηχείου αυτής της συσκευής.

4. Πατήστε το κουμπί προηγούμενο / επόμενο για να επιλέξετε το τελευταίο και το επόμενο κομμάτι κατά την αναπαραγωγή.

5. Στον τρόπο λειτουργίας Bluetooth μπορείτε να ανακτήσετε τις λειτουργίες αναπαραγωγής / παύσης, σίγασης, διόρθωσης ήχου, διόρθωσης σοπράνων και μπάσων. Για λεπτομέρειες, ανατρέξτε στην παράγραφο στην παράγραφο «Γενικός χειρισμός» αυτών των οδηγιών χρήσης.

Παρατηρήσεις:

- Δεν είναι δυνατόν να εγγραφθούν την κατάλληλη σύνδεση με όλες τις συσκευές Bluetooth λόγω διαφορετικών σχεδίων και μαρκών.
- Η απόσταση εργασίας Bluetooth είναι 10 μέτρα χωρίς κανένα εμπόδιο
- Η συσκευή μπορεί να συνδεθεί και να συνεργαστεί με μια συσκευή Bluetooth ταυτόχρονα.
- Σε περίπτωση εισερχόμενης κλήσης κατά την αναπαραγωγή Bluetooth, η μουσική θα σταματήσει για λίγο και θα ανανεωθεί αφού ολοκληρώσετε την τηλεφωνική συνομιλία.
- Πατήστε το κουμπί σύνδεσης από το τηλεχειριστήριο για να κλείσετε την τρέχουσα σύνδεση με τη συσκευή Bluetooth και να αρχίσετε σύνδεση με άλλη μια συσκευή.

Λειτουργία στον τρόπο λειτουργίας AUX IN

Για να συνδέσετε και να αναπαραγάγετε μουσική από άλλη συσκευή αναπαραγωγής ή άλλη συσκευή πρέπει να ακολουθήσετε τα παρακάτω βήματα:

Χρησιμοποιώντας το καλώδιο audio (w zestawie) πρέπει να συνδέσετε την υποδοχή AUX IN στο επάνω πάνελ της συσκευής με τη γραμμική έξοδο ή με την υποδοχή ακουστικών της συσκευής αναπαραγωγής, όπως συσκευή αναπαραγωγής MP3, CD, DVD, μίκης κλπ. Στη συνέχεια πρέπει να επιλέξετε και να αναπαραγάγετε μουσική στην εξωτερική συσκευή αναπαραγωγής και ο ήχος θα αναπαραχθεί με χρήση αυτής της συσκευής.

Στον τρόπο λειτουργίας AUX-IN ο κύριος έλεγχος της αναπαραγωγής εκτελείται από την εξωτερική συσκευή αναπαραγωγής. Σε αυτή τη συσκευή μπορείτε να ελέγχετε την ένταση ήχου, να σιγάσετε τον ήχο και να ρυθμίσετε το επίπεδο μπάσων και σοπράνων.

Karaoke

Η συσκευή περιλαμβάνει στο σετ της 1 ασύρματο μικρόφωνο και 2 υποδοχές για ενσύρματα μικρόφωνα που επιτρέπουν να τραγουδάτε τραγούδια σε μια μουσική εκδήλωση. Πριν χρησιμοποιήσετε το συνδεδεμένο ασύρματο μικρόφωνο, ανοίξτε τη θήκη μπαταριών, βάλτε 2 μπαταρίες AA (δεν συμπεριλαμβάνονται στο σετ) σύμφωνα με τα σύμβολα πολικότητας +/- και στη συνέχεια κλείστε τη θήκη και ενεργοποιήστε το μικρόφωνο. Η συσκευή αυτόματα θα συνδεθεί με το μικρόφωνο. Ρυθμίστε τη κατάλληλη ένταση ήχου του μικροφώνου περιστρέφοντας το κουμπί έντασης ήχου μικροφώνων στο επάνω πάνελ. Το μικρόφωνο είναι έτοιμο για χρήση.

Συνδέστε το ενσύρματο μικρόφωνο (δεν συμπεριλαμβάνεται στο σετ) στην υποδοχή 6,3 mm, ενεργοποιήστε το μικρόφωνο και στη συνέχεια ξεκινήστε να τραγουδάτε.

Συμβουλές:

- a. Αν χρησιμοποιείτε το μικρόφωνο για εξυπηρέτηση της λειτουργίας Karaoke, με τη χρήση των κατάλληλων κουμπιών μπορείτε να προσαρμόσετε τη ρύθμιση των σοπράνων / μπάσων / της ηχούς.
- b. Το μεγάφωνο μπορεί να εκπέμψει έντονο θόρυβο ή παραμορφώσεις ήχου όταν το επίπεδο έντασης ήχου, οι ρυθμίσεις μπάσων και σοπράνων ή η λειτουργία ηχούς είναι προγραμματισμένοι σε πάρα πολύ υψηλό επίπεδο. Αυτό δεν είναι ελάττωμα. Πρέπει να μειώσετε το επίπεδο των παραπάνω ρυθμίσεων και στη συνέχεια να ενεργοποιήσετε ή να απενεργοποιήσετε το μικρόφωνο.
- c. Η συσκευή μας διαθέτει τη λειτουργία προτεραιότητας του μικροφώνου. Αν επιλέξετε αυτή τη λειτουργία στο τηλεχειριστήριο, ο ήχος karaoke θα αναπαραχθεί μέσα από τα ηχεία και θα έχει την προτεραιότητα (χωρίς το μουσικό φόντο). Αφού ολοκληρώσετε το τραγούδι, η αναπαραγωγή μουσικής θα ενεργοποιηθεί αυτόματα.
- d. Μπορείτε να χρησιμοποιήσετε τη λειτουργία karaoke και να ακούτε μουσική ταυτόχρονα. Σε περίπτωση που χρειαστεί να αυξήσετε την ένταση ήχου karaoke και να μειώσετε το επίπεδο μουσικής στο φόντο, μπορείτε, ξεχωριστά, να ρυθμίσετε την ένταση ήχου του μικρόφωνου και το επίπεδο έντασης ήχου του ηχείου με χρήση των κατάλληλων κουμπιών.
- e. Πρέπει να απενεργοποιήσετε το μικρόφωνο όταν το τοποθετείτε δίπλα στο ηχείο, αλλιώς μπορεί να δημιουργηθεί έντονος θόρυβος.

Επίλυση προβλημάτων:

1. Το ηχείο δεν μπορεί να ενεργοποιηθεί.
 - a. Ελέγξτε αν η σύνδεση της τροφοδοσίας είναι κατάλληλη.
 2. Δεν υπάρχει ήχος.
 - a. Δοκιμάστε να ρυθμίσετε το κουμπί έντασης ήχου και να ελέγξετε την πηγή αναπαραγωγής.
 - b. Επικοινωνήστε με το κέντρο σέρβις, αν το πρόβλημα παραμένει.
 3. Παραμορφώσεις ήχου.
 - a. Δοκιμάστε να προσαρμόσετε και να αναπαραγάγετε μουσική με χαμηλό επίπεδο έντασης ήχου.
 - b. Ελέγξτε την κατάσταση ρύθμισης σοπράνων / μπάσων.
 4. Θόρυβος όταν ακούτε σταθμό FM.
 - a. Μεταφέρετε τη συσκευή σε άλλο σημείο με σκοπό την καλύτερη λήψη σήματος.
 - b. Ενεργοποιήστε ξανά τη σάρωση ή αλλάξτε τον σταθμό για έναν άλλον.

Προδιαγραφή

- Πηγή τροφοδοσίας AC 110-240V, 50/60 Hz.
 Συχνότητα FM: 87,5-108,0 MHz.
 Διασύνδεση USB: 5V, 500mA, εκδοχή 2.0, εξυπηρετούμενες μαζικές μνήμες έως 32 GB.
 Bluetooth: V2.1 + EDR, απόσταση εργασίας έως 10m
 Ισχύς εξόδου RMS: 2 x 30 W.
 Ρύθμιση σοπράνων/μπάσων: -9dB ~ + 9dB.
 Μικρόφωνο: υποδοχή 2 x 6,3 mm, σύνδεση μικροφώνου με καλώδιο, 1 x ασύρματο μικρόφωνο
 Συσσωρευτής: 12V / 4000mAh, χρόνος φόρτισης: 3 ~ 4 ώρες χρόνος αναπαραγωγής: 2 ~ 3 ώρες.
 Λήψη ισχύος: 80W
 Λήψη ισχύος στον τρόπο αναμονής: <0.5W.
 (Η παραπάνω προδιαγραφή μπορεί να μεταβληθεί χωρίς προγενέστερη ειδοποίηση.)

HOIATUS



HOIATUS



**ELEKTRILÖÖGIOHT
MITTE AVADA**

Hoiatus:

Elektrilöögi ohu vähendamiseks ei tohi seadme katet ega tagumist osa lahti monteerida. Seadmes ei ole kasutajapoolseks iseseisvaks parandamiseks ette nähtud elemente. Seadme hoolduse ja parandamisega tegelevad ainult teeninduse kvalifitseeritud töötajad.

Graafiliste sümbolite selgitus:



Välgunool e sümbol võrdkõlgses kolmnurgas hoiatab kasutajat seadme sees esinevast isoleerimata „ohtlikust pingest“, mis võib saavutada elektrilöögi ohuga ähvardava tugevuse.



Hüüumärk võrdkõlgses kolmnurgas hoiatab kasutajat sellest, et antud hetkel edastatakse seadmega kaasas olevas dokumendis seadme teenindust ja hooldust käsitlevat olulist teavet.

Enne seadme teenindamise alustamist palume käesolevat juhend, selle funktsioonidega tutvumiseks ja sihttoetstarbeliseks kasutamiseks, läbi lugeda. See tagab seadme kauakestva, raketeta teeninduse ja kasutusrõõmu.

Oluline informatsioon.

- Teenindusjuhend ja ohutus käsitlev teave tuleb edaspidiseks kasutuseks säilitada.
- Ei tohi lasta tekkida olukorral, kui seadmele või selle sisemusse tilgub vesi.
- Samuti ei tohi seadet kasutada niisketes kohtades, nagu nt vannituba.
- Antud seadet ei tohi paigaldada järgnevatesse kohtadesse:
- Mis on avatud päikesekiirguse vahetule toimele või radiaatorite läheduses.
- Asetada muu, soojust eraldava, stereofoonilise varustuse peale.
- Blokeerides ventilatsiooni või tolmusesse kohta.
- Pidevale vibratsioonile allutatud kohtadesse.
- Kõrge niiskustasemega kohtadesse.
- Seadet ei tohi asetada küünalde või avatud tule lähedusse.
- Seadet võib kasutada ainult käesolevas juhendis kirjeldatud viisil.
- Enne toite esimest sisselülitamist tuleb veenduda, et toide oleks õigesti ühendatud.
- USB mälu ühendatakse vahetult või kuni 25 cm pikkuse USB pikendusjuhtmega.

Ohutuse seisukohalt ei tohi korpusseid lahti võtta ega üritada seadme sisemusse tungida. Seadet võivad parandada ainult teeninduse kvalifitseeritud töötajad.

Seadet ei tohi lahti keerata ega selle korpusi avada, sest selles ei ole kasutaja poolt parandatavaid osi. Seadme hoolduse ja parandamisega tegelevad ainult teeninduse kvalifitseeritud töötajad.

OHUTUST KÄSITLEV OLULINE TEAVE

1. Lugeda juhend läbi – enne seadme kasutamist alustamist tuleb kogu teenindusjuhend ja ohutus käsitlev teave läbi lugeda.
2. Säilitada juhend – kasutus- ja teenindusjuhend tuleb edaspidiseks kasutuseks säilitada.
3. Järgida hoiatusi – toimida kooskõlas kõikide seadmel paiknevate hoiatuste ja teenindusjuhendiga.
4. Järgida juhiseid – toimida kooskõlas teenindusjuhendi ja kasutajale mõeldud juhistega.
5. Paigaldus – paigaldada seade kooskõlas tootja juhistega.
6. Toiteallikad – seadme toiteks peab kasutama ainult toitekaabli märgistustel antud parameetritega allikaid. Juhul kui kasutaja ei ole kindel kodus oleva toite liigis, peab ta ühendust võtma seadme müüja või kohaliku elektrienenergia tarnijaga.
7. Toite maandus ja polaarsus – seade ei pea olema maandatud. Vältimaks tihvtide või klemmide paljastumist veenduda, et pistik oleks võrgupessa või pikendusese sisestatud lõpuni. Mõned seadme versioonid võivad olla varustatud vahelduvvoolu polaarse pistikuga (üks tihvt laiem). Selliseid pistikuid võib sisestada võrgupessa ainult ühel viisil. See on kaitsefunktsioon. Kui pistikut ei saa pesa sisestada tuleb proovida seda pöörata. Kui pistik ei sobi ka siis pesaga tuleb elektrikut tellida selle väljavahetamine. Polaarselt pistikut ei tohi kaitseid eemaldada. Kasutades muud pikendusjuhet või toitekaablit, kui seadmega koos tarnitavat, peavad neil olema asjakohased pistikute, võrgupesadele ja kohtadele, kus kaabel läbi veetakse.
8. Toitekaabli kaitse – toitekaabel tuleb vedada nii, et selle peal ei oleks võimalik kõndida, seda suruda või asetatud esemetega vigastada. Pöörata erilist tähelepanu pistikutele, võrgupesadele ja kohtadele, kus kaabel läbi veetakse.
9. Ülekormamine – seinakontakte, pikendusjuhtmeid ja vargapesasid ei tohi üle koormata, sest see ohustab tulekahju puhkemise või elektrilöögi.
10. Ventilatsioon – seadet tuleb korralikult ventileerida. Seadet ei tohi asetada voodile, diivanile või muudele sarnastele pindadele. Seadet ei tohi katta laulainade, salvrätikute, ajalehtede jms.
11. Soojus – mitte asetada seadet soojusallikate, nagu radiaatorid, kiirgurid, ahjud või muud soojust eritavad seadmed (ka võimendid), lähedale. Mitte asetada seadmele põlevaid künnlaid ja muid avatud tule allikaid.
12. Vesi ja niiskus – tulekahju või elektrilöögi ohu vähendamiseks ei tohi seadet vihma, vee ja niiskuse vahetule toimele, nagu nt saunas või vannitoas, allutada. Mitte kasutada käesolevat seadet vee, näiteks vanni, kraanikausi, köögivalamu või pesupali, läheduses, niiskes keldris või basseini juures (või sarnastes kohtades).
13. Esemed ja vedelikud seadmes – läbi seadme avade ei tohi sisse suruda mingeid esemeid, sest need võivad kokku puutuda ohtliku pinge punktidega, mis omakorda võib põhjustada tulekahju või elektrilöögi. Mitte mingil juhul ei tohi seadme pindadele mingeid vedelikke kallata. Seadmele ei tohi asetada vedelikke sisaldavaid esemeid.
14. Puhastamine – enne puhastamist tuleb seade alati võrgupesast lahti ühendada. Kõlari ümbruses võib tolmu eemaldada kuiva lapiga. Kasutades puhastamiseks aerosooli ei tohi pritsimisvoogu suunata vahetult seadmele vaid lapile. Tuleb jälgida, et ajamiüksused kahjustusi ei saaks.
15. Täiendav varustus – keelatud on kasutada tarvikuid, mis ei ole tootja poolt lubatud, sest võivad osutada ohuallikateks.

16. Tarvikud – seadet ei tohi asetada ebastabiilsele kärule, alusraamile, statiivile, tugialusele või lauale. Seade võib ümber kukkuda ja saada kahjustusi ning vigastada tõsiselt last või täiskasvanut. Kasutada ainult tootja poolt määratud või koos seadmega müüdavaid kärusid, alusraame, statiive, tugialuseid või laudu. Seadme paigaldust tuleb teostada kooskõlas tootja juhistega, kasutades tootja poolt soovitatud paigalduskomplekti.
17. Seadme teisaldamine – kärule paigutatud seadet tuleb sõidutada väga ettevaatlikult. Äkiline pidurdamine, ülemäärane jõud või ebatasane pind võivad põhjustada käruga ja seadme ümberminekku.
18. Seadme mittekasutamise periood – toitekaabel tuleb äikesetormide ajal või kui seadet pikema aja jooksul ei kasutata võrgupesast lahti ühendada.
19. Teenindus – keelatud on seadme ülevaltast omakäeliselt läbi viia. Avatud katted võivad põhjustada kokkupuudet ohtliku pingega ja osutada ohtlikuks. Seadme hoolduse ja parandamisega tegelevad ainult teeninduse kvalifitseeritud töötajad.
20. Kui seadet ei kasutata, tuleb selle pistik võrgupesast lahti ühendada. Toiteallikaga ühendatuna on seade ooterežiimis ja ei ole täielikult välja lülitatud.
21. Varuosad – osade väljavahetamisel tuleb kontrollida kas teeninduse töötaja on kasutanud tootja poolt soovitatud varuosid või kas osad on originaalosadega identsed. Väljavahetamine kinnitamata osade vastu ohustab tulekahju puhkemise, elektrilöögi ja muude turvariskidega.
22. Peakaitsmed – seadme alalise tulekahjuvastaseks kaitseks tuleb kasutada õiget tüüpi ja asjakohaste parameetritega kaitsmeid. Antud pingela kaitsmete parameetrid on märgitud seadmele.
23. Helitugevust ei tohi muusikapala valitse osakuulamisel või audio sisendsignaali puudumisel tõsta. Vastasel juhul võib signaali äkiline tugevnemine kõlarit kahjustada.
24. Seadme toiteallikast täieliku lahtiühendamise ainsaks viisiks on toitekaabli toitespast või seadme eemaldamine. Võrgupesast või toitekaabli seadme sisend peavad toote kasutamise käigus alati juurdepääsetavad olema.
25. Seade tuleb paigutada võrgupesast või pikendusjuhtme lähedusse nii, et need oleks alati juurdepääsetavad.
26. Seade keskkonna maksimaalne temperatuur võib olla kuni 35°C.
27. Elektrostaatilisest laadusest puudutavad juhised – kui seadme töö on häiritud elektrostaatilisest laadusest tuleb see välja lülitada ja seejärel uuesti sisse lülitada või teise kohta ümber tõsta.
28. Patareid
 - a. Patareid ei tohi allutada ülemäärase soojuse, nagu nt päikesekiired, tuli jms, toimele.
 - b. Patareide utiliseerimisel tuleb pöörata tähelepanu keskkonnakaitse aspektidele.
- c. Patareide kasutamist puudutav hoiatus: patareidel ei tohi lasta kuluda kuni lekkimiseni, mis võib põhjustada kehavigastusi ja seadme kahjustusi:
 - Patareide sisestamisel pöörata tähelepanu nende polaarusele (+ ja -).
 - Ei tohi kasutada samaaegselt erinevaid patareid — vanu ja uusi, standardseid ja alkaalipatareid, jne.
 - Kui seadet pikema aja jooksul ei kasutata, tuleb patareid välja võtta.

HOIATUS

- Seadet ei tohi kasutada piiratud füüsiliste, sensoorsete ja psüühiliste võimete või seadme töötmise kogemusi või teadmisi mitte omavad inimesed (sealhulgas lapsed), kui nad ei viibi nende ohtu eest vastutavate isikute järelevalve all või kui neid ei ole seadme ohutu kasutamise teemal instrueeritud. Kui seadet teenindavad lapsed, on nõutav täiskasvanute kohaolek; see võimaldab tagada seadme ohutu kasutuse.
1. Keelatud on töötav seadet järelvalveta jätta! Kui seadet isegi lühikese aja jooksul ei kasutata, tuleb see välja lülitada.
 2. Seadet ei tohi teenindada taimeriga välise kella vahendusel ega eraldiastseva kaugjuhtimisega süsteemi abil.
 3. Toitejuhtme kahjustuste korral ohtude vältimiseks peab väljavahetamist teostama tootja, autoriseeritud teeninduspunkt või muu, asjakohast kvalifikatsiooni omav isik.
 4. Enne seadme teenindamise juurde asumist tuleb veenduda, et selle pinge vastab kohalikus toitevõrgus esinevale pingele.
 5. Seadme ventilatsioonivõime ei tohi kinni katta, nt ajalehtede, laualina, kardinatega, jms. Tuleb veenduda, et seadme kohal on vähemalt 20 cm vaba ruumi ja sellel igal küljel — vähemalt 5 cm.
 6. Ei tohi lasta tekkida olukorral kui seadmele või selle sisemusse tilgub või voolab vedelik ega tohi sellele asetada vedelikega täidetud esemeid, selliseid nagu vaasid.
 7. Tulekahju või elektrilöögi vältimiseks tuleb seadet kaitsta kuumade kohtade, vihma, niiskuse ja tolmu toime eest.
 8. Seadet ei tohi paigutada mingite veeallikate, nt kraanide, vannide, pesumasinate või ujumisbasseinide lähedusse. Seade tuleb asetada tasasele ja stabiilsele aluspinnale.
 9. Seadet ei tohi allutada tugevate magnetväljade toimele.
 10. Vahetult võimendile või vastuvõtjale seadet asetada ei tohi.
 11. Seadet ei tohi viia niiskesse kohta, sest niiskusel on elektrilistele allüksustele kahjulik mõju.
 12. Peale seadme külmast sooja või niiskesse kohta toomist võib möngija sees olevale laätele tekkida niiskuse kondensatsioon. Sellises olukorras seade korralikult tööle ei hakka. Niiskuse aurumise vältimiseks tuleb sisselülitatud seade jätta umbes tunniks ajaks seisma.
 13. Seadet ei tohi puhastada keemiliste lahustitega, sest need võivad kahjustada korpuse lakikihti. Seadet pühitakse puhta, kuiva või vähesel määral niisutatud lapiga.
 14. Pistiku seinakontaktist eemaldamisel tuleb alati tõmmata pistikut, mitte aga toitekaablit.
 15. Kui sisselülitatud seadet kasutatakse sisselülitatud teleri läheduses võib see osutada ekraanil joontena nähtavate häirete allikaks. Sõltub TV ülekande laineribast. See ei tähenda aga ei seadme ega teleri väärat töötamist. Selliste häirete vältimiseks tuleb seade telerist eemale nihutada.
 16. Võrgupistikut kasutatakse toitepinge lahtiühendamiseks ja see peab alati juurdepääsetav olema.
 17. Võimalike kuulmiskahjustuste vältimiseks ei tohi muusikat pikemat aega valjult kuulata.



TÄHELEPANU



Deklaratsioon

Blaupunkt Competence Center 2N-Everpol Sp. z o.o. teavitab käesolevaga, et seade vastab direktiivi 2014/53 / EL nõuetele ja selle muudele asjakohastele sätetele. Täielik vastavusdeklaratsioon asub leheküljel www.blaupunkt.com toote järjehoidjas.

Vastutav ettevõtte: 2N-Everpol Sp. Z O.O.

Puławska 403A, 02-801 Varssavi, Poola

Telefon: +48 22 688 08 00, e-mail: info@everpol.pl



Toode on toodetud kõrgkvaliteetsetest taastootmisesse suunatavatest ja taaskasutatavatest materjalidest ning allüksustest.



Seadmel paiknev läbitõmmatud prügikorvi sümbol tähendab, et toode on hõlmatud Euroopa direktiivi 2012/19/EU sätetega. Tutvuda kohaliku süsteemi elektriliste ja elektrooniliste jäätmete käitlemist puudutavate nõuetega. Toimida kooskõlas kehtivate eeskirjadega. Käesolevat toodet ei tohi ära visata koos tavaliste olmejäätmetega. Vana toote õige kõrvaldamine väldib potentsiaalseid looduskeskkonnale ja inimtervisele kahju tekitavaid tagajärgi.



Seade on varustatud Euroopa direktiiviga 2006/66/EC hõlmatud patareidega. Patareide äraviskamine koos kodumajapidamisjäätmetega on keelatud. Tutvuda patareide eraldiasetsevalt kogumist käsitlevate kohalike eeskirjadega, sest õige utiliseerimine väldib potentsiaalseid looduskeskkonnale ja inimtervisele kahju tekitavaid tagajärgi.

Looduskeskkonna kaitset käsitlev teave

Pakend sisaldab ainult vajalikke elemente. Tehtud on kõik endast olenev, et kolm koostismaterjali oleks hõlpsasti eraldatavad: papp (kast), polüstüreenvaht (seesmine kaitse) ja polüetüleen (kotid, kaitsepoogen). Toode on toodetud materjalidest, mida saab suunata taastootmisesse ja peale nende eriotstarbelise ettevõtte poolt demonteerimist, uuesti kasutada. Järgida pakendmaterjalide, patareide ja kasutatud seadmete utiliseerimist käsitlevaid kohalikke ettekirjutusi. Materjalide salvestamiseks ja esitamiseks võib vaja minna nõusolekut. Tutvuge autoriõiguse ja esinejate/kunstnike õiguste seadusega.

ERP2 (elektrienergiaga seotud seadmed) puudutav märkus

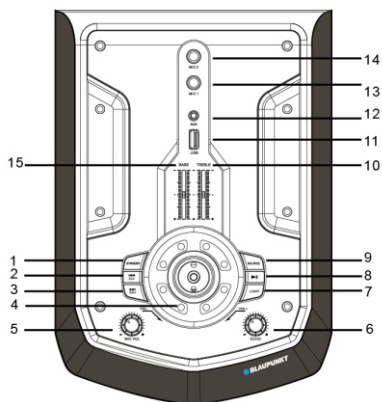
Käeolev ökoprojektiga seade vastab vastab ökoprojektide nõudeid käsitleva KOMISJONI (EÜ) MÄÄRUSE nr 1275/2008 kontori- ja kodukasutuseks mõeldud seadmete väljalülitatuna ja ooterežiimis energiatarbimist puudutava direktiivi 2009/125/WE jõustava 2. etapi nõuetele.



Kaubamärgi ja logo Bluetooth® omanik on ettevõtte Bluetooth SIG, Inc. USA. Asjaomaste kaubamärkide ja logo kasutamine on litsentseeritud. Muud märgid ja kaubanimed kuuluvad asjakohastele omanikele.

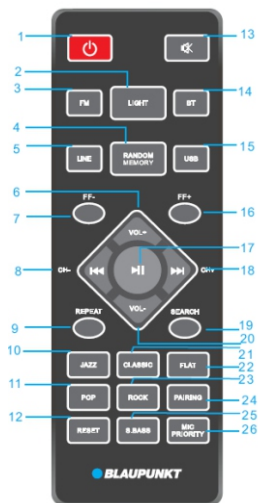
Täname meie seadme ostmise eest. Enne kasutamist tuleb käesoleva juhendiga tutvumiseks see hoolikalt läbi lugeda. Palume säilitada juhend edaspidiseks kasutamiseks.

Juhtpaneel



- 1 – Ooterežiimi nupp (sisse/välja lülitamine);
- 2,3- Eelmine / järgmine / kanal - / kanal +;
- 4- Helitugevuse juhtimine;
- 5- Mikrofoni helitugevuse reguleerimise pöördnupp;
- 6- Mikrofoni kajaefekti reguleerimise nupp;
- 7- Diskovalgustus
- 8- Esitamine / paus;
- 9-Allikas;
- 10,15- Madalate ja kõrgete toonide reguleerimine;
- 11- USB port;
- 12- AUX IN pesa;
- 13,14-Mikrofoni sisend 1 ja 2;

Kaugjuhtimispuul



- 1 - Toitenupp;
- 2- Diskovalgustuse sisse/välja lülitamise nupp;
- 3,5,14,15- FM / LINE IN / Bluetooth / USB nupp;
- 4-juhuesituse sisse/välja lülitamise/ mällu salvestamise nupp;
- 6,20-Helitugevus +/-;
- 7,16- Kiire edasikerimise nupp FF - / +;
- 8,18-Eelmine ja järgmine, nupp kanal - / +;
- 9- Korduse nupp (korda üks muusikapala / korda kõik / lülita välja);
- 10,11,21,22,23- EQ režiimid (jazz / pop / klassika / tavaline / rock)
- 12- Nupp reset;
- 13- Helisummutuse nupp;
- 17- Esitus / paus;
- 19- Otsingunupp;
- 24- Paarimise nupp;
- 25 - Nupp Super Bass;
- 26 - Prioriteetse mikrofoni nupp;

Toite ühendamine

Palun kontrollida, kas toiteallikas vastab seadme tagapaneelil paiknevale nimipinge spetsifikatsioonile. Kui ei vasta, tuleb müüja või teeninduskeskusega ühendust võtta.

Toiteallika ühendamiseks sisestage emane kaablipistik seadmel paiknevasse pesa ja seejärel toitekaabli pistik seinakontakti. Lülitage seade tagapaneelil paikneva lüliti abil sisse. Kuvari ekraani sisselülitamiseks vajutage ülapaneeil või kaugjuhtimispuulil paiknevat toitenuppu, mis tähendab, et toide on edukalt ühendatud ja võib alustada edasise teenindamisega.

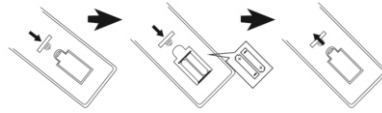
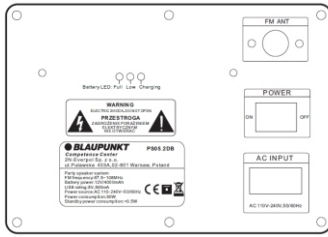
Patareitoide ja laadimine: Seadmes on muusikat ilma vahelduvvoolu toite ühendamiseta mängida võimaldav sisseehitatud akumulaator (12V/4000 mAh). Aku saab laetud, kui on saadaval vahelduvvoolu toide; tagapaneelil paiknev punane LED diod põleb laadimise ajal ja süttib siniselt kui aku on täielikult laetud; kui seoses aku madala laetuse tasemega süttib LED diod kollaselt, tuleb seade laadimiseks ühendada. Aku ammendumise korral lülitub kõlar automaatselt välja.

23-tunnine aku mänuaeq, mis saavutatakse järgmistest seadistustega:

Allikas: Bluetooth
Ekvalaiseri režiim: Tasane,

Helitugevuse tase: 10
Bass & Treble seaded: 0

Valgustus: Väljas
Super Bass: Keskmine tase.



Kaugjuhtimispuldi patarei paigaldamine

Avage patareikambri kate ja sisestage 2 AAA patarei (komplektis); veenduge, et patarei polaarused oleks kambris graveeritud pluss ja miinus sümbolitega kooskõlas. Seejärel sulgege patareikambri kate.

Märkused:

- Kaugjuhtimispuldi tööulatus on puldi ja peaaüksuse vaheliste tõkete puudumisel 7 meetrit. Töötamise ajal tuleb pult suunata kuvari vasakus nurgas paikneva anduri suunas.
- Kaugjuhtimispuldi tundlikkus hakkab patarei tühjaks laadimisega vähenema. Puldi õigesti töötamiseks vahetage see uue vastu välja.
- Puldi pikemat aega mitte kasutamise korral palun patarei välja võtta.
- Patarei tuleb ära visata keskkonnasõbralikul viisi. Palun tutvuda utiliseerimist puudutavate kohalike võimude nõuetega.

Üldine teenindamine

- Sisse / väljalülitamine:** seadme sisse- või väljalülitamiseks vajutage ülapaneeil või kaugjuhtimispuldil ooterežiimi nuppu; Seadme väljalülitamiseks võtke pistik võrgupesast välja.
- Esitamise allika valik:** FM / Bluetooth / Line in / USB vahel valimiseks vajutage ülapaneeil allika valiku nuppu või kaugjuhtimispuldil USB/ FM, BT, LINE.
- Helitugevuse reguleerimine:** Helitugevuse tõstmiseks või muutmiseks pöörake ülapaneeil paiknevat helitugevuse juhtimise pöörnuppu või vajutage puldil nuppu VOL +/-.
- Madalate ja kõrgete toonide reguleerimine:** Väljundheli tooni reguleerimiseks liigutage basside/sopranite reguleerimise nihknuppu üles või alla.
- Heli summutamine:** Nupu MUTE kaugjuhtimispuldil vajutamine summutab heli; Selle nupu uuesti vajutamine taastab heli varem seadistatud tasandil.
- Korrektori seadistamine:** kaugjuhtimispuldil asjakohase nupu vajutamine võimaldab valida režiimide Jazz / Classic / Flat / POP / ROCK / Super Bass vahel.
- Esitamine / peatamine:** Bluetooth / USB režiimis muusika esitamise peatamiseks või taastamiseks vajutage nuppu esitus /paus.
- Kordamine ja juhuesitus:** muusika asjakohase kordamise režiimi valimiseks vajutage korduse nuppu; USB režiimis juhuesitus funktsiooni sisse / väljalülitamiseks vajutage juhuesituse nuppu.
- Valgustus:** kaheksa efekti vahel valgustuse režiimi ümberlülitamiseks või selle väljalülitamiseks vajutage korduvalt valgustuse nuppu.
- Reset:** seadme tehaseadetele taastamiseks vajutage puldil algseadistuse nuppu.

FM raadio teenindamine

Enne FM raadio kuulamist tuleb seade, FM signaali parema vastuvõtu saavutamiseks, aknale lähemale asetada. Seejärel ühendage, raadiosageduste ühenduse leidmiseks, kaasasolev väline antenn tagapaneeil paikneva FM antennipesaga.

- Raadiojaamade automaatne skaneerimine ja programmeerimine (automaatrežiim):** ülapaneeil nupu esitus / paus lühike vajutamine või puldil otsingunupu vajutamine käivitab saadaolevate jaamade automaatse skaneerimise ja salvestamise režiimi. Peale skaneerimise lõpetamist hakkab seade automaatselt mängima esimest programmeeritud jaama. (Programmeeritud jaamade maksimaalne teenindatav arv: 40)
- Raadiojaamade valimine:** eelmise või järgneva programmeeritud jaama mängimiseks vajutage raadio režiimis ülapaneeil või kaugjuhtimispuldil nuppu järgmine / eelmine.
- Raadiojaamade programmeerimine (käitsi režiim):** lemmikjaama häälestamiseks vajutage ja hoidke automaatselt skaneerimiseks mõne sekundi jooksul nuppu eelmine / järgmine või kaugjuhtimispuldi nuppu FF +/- - ja seejärel vajutage käsitsi programmeerimise käivitamiseks mälu nuppu, seejärel vajutage puldil kanali soovitud asukoha valimiseks kanali nuppu +/- - ja kinnitamiseks ning programmeerimise lõpetamiseks uuesti mälu nuppu.

USB esitamine

Seadmel on kaasaskantavatel USB mälu del USB dekodeerimist ja esitamist võimaldav funktsioon. Enne esitamist kopeerige MP3 muusika kaasaskantavale USB mälu le; Ühendage USB mälu seadmega, sest USB esitamise režiim on saadaval ainult USB mälu õigesti ühendamise korral. Seejärel avab ja esitab seade MP3 muusika automaatselt.

Muusikapala valimine: eelmise või järgmise muusikapala valimiseks vajutage lühidalt nuppu eelmine/järgmine; Hetkel esitatava muusikapala edasi kerimiseks vajutage ja hoidke kerimise nuppu, muusika esitamise jätkamiseks vabastage nupp. USB režiimis on saadaval järgnevad funktsioonid: esitus / paus, summutamine, kordus, heli korrektor, kõrgete / madalate toonide reguleerimine jne. Üksikasjad võib leida käesoleva juhendi punktis „Üldine teenindamine“.

Märkused:

- USB pikendusjuhtme abil USB mälu ühendamine ei ole soovitatav, sest see võib mõjutada negatiivselt esituse kvaliteeti ja põhjustada failide kuulamisel, audioandmete kaost tingitud, müra või katkendlikku heli.
- Kõikide MP3 formaadis muusikapalade dekodeerimist ja esitamist ei ole võimalik tagada.
- Seade teenindab USB mälusid maksimaalse mahuga 32GB
- Tüübi ja tootjaga seoses võib mõnede USB mälude automaatne avamine rohkem aega võtta; Tuleb meeles pidada, et see ei ole viga.

Bluetooth toimimine

Asjaomasel tootel on funktsioon Bluetooth, mis võimaldab teiselt Bluetooth seadmelt (nagu nutitelefoni, tahvelarvuti, jne) muusika juhtmevaba esitust.

- Vajutage Bluetooth režiimi sisenemiseks korduvalt allika nupule, kuvarile ilmub tekst "BLUE", mis tähendab, et seade on paarimiseks valmis.
- Lülitage välisel seadmelt sisse Bluetooth funktsioon ja otsige saadaolevaid seadmeid (tutvuge välise seadme teenindusjuhendiga) ning leidke seejärel saadaolev Bluetooth seade loendist. Valige ühendamiseks "BP PS05.2DB" peale vaikimisi paarimist kuvav vilkuv tekstiga "BLUE" stabiliseerub.
- Valige ja mängige väliselt Bluetooth seadmelt muusika ja seejärel esitatakse heli käesoleva seadme kõlari abil.
- Esitamise ajal eelneva ja järgneva muusikapala valimiseks vajutage nuppu eelmine / järgmine.
- Bluetooth režiimis võib saavutada esituse / pausi, summutamise, heli korrektori, kõrgete ja madalate toonide korrektori funktsioonid. Üksikasjad võib leida käesoleva juhendi punktis „Üldine teenindamine“.

Märkused:

- Seoses erinevate projektide ja kaubamärkidega ei ole kõikide Bluetooth seadmetega korraldiku ühendamine võimalik tagada.
- Bluetooth töökaugus on ilma mingite takistusteta 10 meetrit.
- Seade võib paarida ühe Bluetooth seadmega üheaegselt.
- Bluetooth esituse ajal sisetuleva ühenduse korral; Muusika peatub hetkeks ja taastab esitamise peale telefonikõne lõppemist.
- Bluetooth seadmega jooksva ühenduse peatamiseks ja muu seadmega paarimise alustamiseks vajutage puldil paarimise nuppu.

Töötamine AUX IN režiimis

Muult mängijalt või seadmelt muusika ühendamiseks ja esitamiseks tuleb toimida vastavalt alljärgnevale juhendile:

Kasutades audiokaablit, tuleb ülemisega panelu paiknevat AUX IN pesa ühendada mängija, nagu nt MP3, CD, DVD mängija, mikserpuldil, jne, liiniväljundi või kuulari pesaga. Seejärel tuleb välisel mängijal valida ja esitada muusika ning heli esitatakse käesoleva seadme abil.

AUX-IN režiimis toimub esituse peajuhtimine välise seadme abil. Käesolevas seadmes võite kontrollida helitugevust, summutada heli ja reguleerida basside ning sopranite taset.

Karaoke

Seadme kompleksis on muusikaürituse käigus laulude esitamist võimaldav 1 juhtmevaba mikrofoni ja 2 juhtmega mikrofoni sisendit. Enne kaasasoleva juhtmevaba mikrofoni kasutamist, avage patareikamber, sisestage kooskõlas polaarsuse sümbolitega +/-, 2 tk AA patareid (ei ole kompleksis) ja sulgege seejärel kamber ning lülitage mikrofoni sisse. Saade paarub mikrofoni automaatselt. Määrake ülapaneeil paiknevat mikrofoni helitugevuse pöördnuppu keerates mikrofoni sobiv helitugevus. Mikrofoni on kasutamiseks valmis.

Ühendage juhtmega mikrofoni (ei kuulu komplekti) pesa 6,3 mm, valige mikrofoni ja hakake seejärel laulma.

Soovitused:

- Kasutades mikrofoni Karaoke funktsiooni teenindamiseks, võite asjakohaste pöördnuppude abil kõrgete toonide / basside / kaja seadeid reguleerida.
- Kui helitugevus, basside ja sopranite või kaja seade on määratud liiga kõrgele tasemele võib seade väljastada valju müra või moonutusi. See ei ole viga. Ülaltoodud seadete tase tuleb alandada ja seejärel mikrofoni sisse või välja lülitada.
- Meie seadmelt on mikrofoni prioriteetsuse funktsioon. Valides puldil selle funktsiooni esitatakse karaoke heli kõlarite abil ja on prioriteetne (ilma muusikalise taustata); peale laulmise lõppemist käivitub muusika automaatselt uuesti.
- Karaoke funktsiooni kasutada ja muusikat kuulata võite üheaegselt; Juhul, kui tekib vajadus tõsta karaoke helitugevust ja vähendada taustmuusika taset, võite mikrofoni väljuse ja kõlari taseme asjakohaste pöördnuppudega eraldi reguleerida.
- Kui mikrofoni on asetatud kõlari kõrvale, tuleb see välja lülitada, vastasel korral tekitab see suurt müra.

Probleemide lahendamine

1. Kõlarit ei saa sisse lülitada.

a. Kontrollige kas toide on õigesti ühendatud.

2. Puudub heli.

a. Proovige reguleerida helitugevuse pöördnuppu ja kontrollida esituse allikat.

b. Probleemi säilimise korral võtke ühendust teeninduskeskusega.

3. Heli on moonutatud.

a. Proovige muusikat kohandada ja esitada madalamal helitugevuse tasemel.

b. Kontrollige kõrgete / madalate toonide seadete seisundit.

4. Müra FM jaamade kuulamisel.

a. Viide seade paremaks vastuvõtuks teise kohta.

b. Lülitage skaneerimine uuesti sisse või vahetage jaama.

Spetsifikatsioon

Toiteallikas: AC 110-240V, 50/60 Hz.

FM sagedus: 87,5-108,0 MHz.

USB liides: 5V, 500mA, versioon 2.0, kuni 32 GB massimälu teenindamine.

Bluetooth: V2.1 + EDR, töökaugus kuni 10m

RMS väljundvõimsus: 2 x 30 W.

Madalate ja kõrgete toonide reguleerimine: -9dB ~ + 9dB.

Mikrofon: sisend 2 x 6,3 mm, juhtmega mikrofoni ühendus; 1 x juhtmevaba mikrofon

Aku: 12V / 4000mAh; laadimise aeg: 3 ~ 4 tundi; esitamise aeg: 2 ~ 3 tundi.

Võimsustarbimine: 80W

Võimsustarbimine tööks valmisoleku režiimis: <0,5W.

(Ülaltoodud spetsifikatsioon võib ilma hoiatamiseta alluda muudatustele.)

SVARBIOUS SAUGOS INSTRUKCIJOS



ELEKTROS SMŪGIO GRĖSMĖ DRAUDŽIAMA ATIDARYTI

Išpėjimas:

Kad sumažintumėte elektros smūgio riziką, draudžiama išmontuoti įrenginio dangtelį ar galinę dalį. Įrenginyje nėra komponentų skirtų vartotojui savarankiškai taisyti. Techninė priežiūra ir remontas aptarnaujami tik kvalifikuoto techninio personalo.

Grafinių simbolių paaiškinimas:



Zaibo simbolis užbaigtas rodykle lygiakraščiame trikampyje įspėja vartotoją apie neizoliuotą "pavojingą įtampą" esančią įrenginio korpusė, kuri gali pasiekti dydį sukeltą elektros smūgio pavojų.



Šauktuko ženklas lygiakraščiame trikampyje įspėja vartotoją, kad šiame punkte pateikiama svarbi informacija apie įrangos veikimą ir techninę priežiūrą dokumentuose pateikiamuose su įrenginiu.

Prašome perskaityti šias instrukcijas prieš pradėdami įrenginio naudojimą, kad susipažinti su jo funkcijomis ir naudoti jį taip, kaip numatyta. Tai užtikrins ilgalaikį įrenginio veikimą be gedimų ir jo naudojimo malonumą.

Svarbi informacija

- Privaloma išsaugoti šias naudojimo instrukcijas ir saugos informaciją būsimam naudojimui.
- Neleiskite skysčiams lašėti ar išsilieti ant įrenginio.
- Draudžiama taip pat naudoti jį drėgnose vietose, pvz. vonios kambarėje.
- Draudžiama įrengti šį įrenginį tokiose vietose:
- Vietos neapsaugotos nuo tiesioginių saulės spindulių ar šalia radiatorių.
- Dėti jį ant viršaus kitos stereofoninės įrangos, kuri išleidžia šilumą.
- Blokuojant ventiliaciją arba dulkečioje vietoje.
- Vietose, kuriose vyksta nuolatinė vibracija.
- Vietose, kur yra didelė drėgmė.
- Draudžiama dėti įrenginį arti žvakių ar atviros liepsnos.
- Įrenginys gali būti naudojamas tik šiame vadove aprašytu būdu.
- Prieš jungdami maitinimą pirmą kartą, įsitikinkite, kad srovės adapteris yra tinkamai prijungtas.
- USB atmintinė jungiami tiesiogiai arba su USB pratęsimo laidu iki 25 cm ilgio.

Dėl saugumo priežasčių, draudžiamas gaubūtų išmontavimas bei įrenginio vidaus atskleidimas. Įrenginio remontas turėtų būti aptarnaujamas kvalifikuoto techninio personalo.

Draudžiama ardyti įrenginį bei atidarinėti jo korpusą, nes jo viduje nėra jokių dalių, kurias galėtumėte naudotojas pataisyti. Techninė priežiūra ir remontas aptarnaujami tik kvalifikuoto techninio personalo.

SAUGOS INSTRUKCIJOS

1. Perskaitykite instrukcijas – prieš naudodami įrenginį perskaitykite visą naudojimo instrukciją ir saugos informaciją.
2. Išsaugokite instrukcijas – privaloma išsaugoti naudojimo ir valdymo instrukcijas būsimam naudojimui.
3. Laikykitės išpėjimų – privaloma laikytis visų prietaiso išpėjimų pateiktų ant įrenginio ir vadovautis naudojimo instrukcijomis.
4. Laikykitės instrukcijų – privaloma vadovautis naudojimo instrukcijomis bei nurodymais vartotojų.
5. Diegimas – nustatykite įrenginį pagal gamintojo instrukcijas.
6. Maitinimo šaltiniai – įrenginys turi būti maitinamas tik iš šaltinių, kurių parametrai nurodyti maitinimo laido žymenyse. Jei vartotojas nėra tikras, kokios energijos tipą turi namuose, turėtų susisiekti su savo įrenginio platintoju arba vietiniu elektros energijos tiekėju.
7. Maitinimo šaltinio įžeminimas arba poliarizacija – įrenginys neturi būti įžemintas. Privaloma įsitikinti, kad kištukas yra visiškai įdėtas į elektros tinklo lizdą arba pratęsimo laidą, kad išvengtų kaiščių ar kontaktų ekspozicijos. Kai kuriose įrenginio versijose gali būti polarizuotas kintamosios srovės maitinimo kaiščių (su vienu platesniu kaiščiu). Šis kištukas gali būti įjungtas į elektros tinklo lizdą tik vienu būdu. Tai apsaugos funkcija. Jei negalite įkišti kištuko į lizdą, pabandykite jį apsukti. Jei kištukas vis dar netelpa į lizdą, elektrikas turėtų jį pakeisti. Draudžiama nuimti apsaugos priemonės nuo polarizuoto kištuko. Jeigu naudojamas pratęsimo laidas ar maitinimo laidas kitokie nei pateikti kartu su įrenginiu, jie turėtų turėti tinkamus kištukus ir saugos sertifikatus reikalaujamus tam tikroje šalyje.
8. Maitinimo laido apsaugos priemonės – maitinimo kabeliai turi būti nuvesti taip, kad po juos negalėtumėte vaikščioti, jų prispausti ar prikirsti padėtais objektais. Atkreipkite ypatingą dėmesį į kištukus, maitinimo lizdus ir vietas, kuriose laidai išvesti iš įrenginio.
9. Perkrovimas – draudžiama perkrauti sieninius lizdus, pratęsimo laidus ir elektros skirstytuvus, nes tai gali sukelti gaisrą arba elektros smūgį.
10. Vėdinimas – įrenginys turi būti tinkamai vėdinamas. Draudžiama dėti įrenginį ant lovos, sofos ar ant panašių paviršių. Draudžiama pridengti įrenginį staltiesėmis, servetėlėmis, laikraščiais ir pan.
11. Šiluma – nedėkite įrenginio arti šilumos šaltinių, tokių kaip šildytuvai, radiatoriai, krosnys ar kiti prietaisai (įskaitant stipriklus), kurie gamina šilumą. Nedėkite ant įrenginio uždegtų žvakių ar kitokių atviros ugnies šaltinių.
12. Vanduo ir drėgmė – norėdami sumažinti gaisro ar elektros smūgio pavojų, saugokite įrenginį nuo tiesioginio lietaus, vandens ir drėgmės poveikio, tokio kaip pvz. saunoje ar vonioje. Nenaudokite šio įrenginio šalia vandens, pavyzdžiui, prie vonios, kriauklės, virtuvės ar kubelio, šlapiame rūšyje arba prie baseino (ar panašiose vietose).
13. Objektai ir skysčiai įrenginyje – draudžiama kišti bet kokius daiktus per įrenginio angas, nes jie gali liestis su pavojingomis įtampomis taškais ir komponentais, dėl ko gali kilti gaisras arba įvykti elektros smūgis. Griežtai draudžiama išpilti bet kokius skysčius ant įrenginio paviršiaus. Draudžiama dėti ant įrenginio viršaus objektus, kuriuose yra skysčių.

14. Valymas – prieš valydamis visada išjunkite įrenginį iš elektros tinklo lizdo. Dulkes aplink garsiakalbį galima nuvalyti sausu skudurėliu. Jei valymui naudojamas aerosolis, nepatartina kreipti purškimo srauto tiesiai į prietaisą, bet ant skudurėlio. Būkite atsargūs, kad nesugadintumėte pavaro šaltinį.
15. Papildoma įranga – draudžiama naudoti priedus, kurie nėra patvirtinti gamintojo, nes jie gali kelti pavojų.
16. Priedai – draudžiama statyti įrenginį ant nestabilius vežimėlio, stovo, trikojo, atramos ar stalo. Prietaisas gali apsversti ir susigadinti, bei sunkiai sužeisti vaiką ar suaugusį asmenį. Privaloma naudoti tik gamintojo nurodytus vežimėlius, stovus, trikojus, atramas ar stalus arba paruošamus kartu su įrenginiu. Įrenginio surinkimą privaloma atlikti pagal gamintojo instrukcijas naudodami gamintojo rekomenduojamą surinkimo komplektą.
17. Prietaiso perkėlimas – ant vežimėlio padėti įrenginį būtina stumti labai atsargiai. Staigus stabdymas, per didelė jėga arba netolygūs paviršiai gali sukelti vežimėlio išsivertimą kartu su įrenginiu.
18. Įrenginio nenaudojimo laikas – atjunkite maitinimo laidą nuo elektros lizdo audros su žaibais metu arba jeigu įrenginys nebus naudojamas ilgą laiką.
19. Techninis aptarnavimas – draudžiama savarankiškai bandyti asmeniškai naršyti įrenginį. Dangčio atidarymas gali sukelti kontaktą su pavojinga įtampa ir sukelti vartotojui kitus pavojus. Techninė priežiūra ir remontas aptarnaujami tik kvalifikuoto techninio personalo.
20. Kai įrenginys nenaudojamas, atjunkite jo maitinimo kištuką nuo elektros lizdo. Kai prietaisas prijungtas prie maitinimo šaltinio, jis veikia budėjimo režime ir nėra visiškai išjungtas.
21. Atsarginės dalys – keičiant dalis, įsitikinkite, kad techninės priežiūros darbuotojas panaudojo gamintojo rekomenduotas atsargines dalis arba kad dalys yra identiškos originalioms dalims. Nepatvirtintų dalių panaudojimas sukelia gaisro, elektros smūgio pavojų ar kitus pavojus.
22. Pagrindiniai saugikliai – kad prietaisas būtų nuolat apsaugotas nuo gaisro, naudokite tinkamo tipo ir parametrų saugiklius. Saugiklių parametrai tam tikrame įtampos diapazone yra pažymėti ant įrenginio.
23. Draudžiama didinti garsumą klausydamis nedidelio garsumo kūrinių dalies arba nesant įvesties audio signalui. Kitaip garsiakalbis gali sugesti jei signalo stiprumas sparčiai padidėja.
24. Vienintelis būdas visiškai atjungti įrenginį nuo maitinimo šaltinio tai ištraukti maitinimo laidą iš elektros srovės lizdo arba iš įrenginio. Naudojant įrenginį, visada turi būti prieinamas elektros tinklo lizdas arba maitinimo laido įėjimas į įrenginį.
25. Įrenginys turi būti dedamas šalia maitinimo tinklo lizdo arba pratęsimo laido taip, kad jis visada būtų prieinamas.
26. Didžiausia įrenginio aplinkos temperatūra tai 35°C.
27. Patartimi dėl elektrosstatinių iškrovų – jei prietaiso veiksmingumas yra veikiamas elektrosstatinių iškrovimų, išjunkite jį ir vėl įjunkite arba perkelkite įrenginį į kitą vietą.
28. Baterija
 - a. Baterijos negali būti veikiamos per didelės temperatūros, pavyzdžiui, saulės spindulių, ugnies ir t.
 - b. Išmesdami baterijas, atkreipkite dėmesį į aplinkosaugos aspektus.
 - c. Įspėjimas dėl baterijų naudojimo: norėdami išvengti baterijų nutekėjimo, dėl kurio galite sužaloti savo kūną ar sugadinti įrenginį:
 - Įdėdami bateriją atkreipkite dėmesį į jos poliarizaciją (+ ir -).
 - Nenaudokite skirtingų baterijų tuo pačiu laiku – senų ir naujų, standartinių ir šarminių baterijų ir kt.
 - Ilgesnį laiką nesinaudojant įrenginiu, išimkite iš jo baterijas.

ĮSPĖJIMAS

Įrenginiu neturėtų naudotis asmenys (įskaitant vaikus), turintys mažesnes fizines, juslines ar psichines galimybes, ir asmenys, neturintys pakankamai žinių ir patirties, jei jie nėra prižiūrimi asmenų atsakingų už jų saugą, ir nebuvo jiems įnurodyta, kaip saugiai naudoti įrenginį. Suaugusių asmenų buvimas reikalingas, jei vaikai naudoja prietaisą; tai užtikrins saugų įrenginio naudojimą.

1. Niekada nepalikite veikiančio įrenginio be priežiūros. Išjunkite prietaisą, kai jis nenaudojamas, net trumpą laiką.
2. Prietaiso negalima valdyti per išorinį laikrodį su sinchronizavimo grandinėmis arba per atskirą nuotolinio valdymo sistemą.
3. Norėdami išvengti pavojaus maitinimo laido sužalojimo atveju, jį pakeisti turėtų gamintojas, įgaliotas aptarnavimo centras ar kitas kvalifikuotas asmuo.
4. Prieš pradėdant įrenginio naudojimą patikrinkite, ar jo įtampa atitinka vietos maitinimo įtampą.
5. Draudžiama uždengti prietaiso ventiliacijos angas, pvz. laikraščiais, staltiese, užuolaidomis ir pan. Įsitikinkite, kad virš įrenginio yra ne mažiau kaip 20 cm laisvos vietos ir bent 5 cm iš kiekvienos jo pusės.
6. Neleiskite, kad ant įrenginio nutekėtų ar išsilietų skystis, be to, nedėkite ant jo pripildytų skysčiais objektų, tokių kaip vazos.
7. Norėdami išvengti gaisro ar elektros smūgio, apsaugokite prietaisą nuo karštų vietų, lietaus, drėgmės ir dulkių poveikio.
8. Draudžiama statyti įrenginį arti bent kokių vandens šaltinių, pvz. čiaupų, vonių, skalbimo mašinų ar plaukiojimo baseinų. Įrenginį dėkite ant lygaus ir stabilaus paviršiaus.
9. Saugokite įrenginį nuo stipraus magnetinio lauko.
10. Draudžiama statyti įrenginį tiesiai ant stiprintuvo ar AV imtuvo.
11. Draudžiama statyti įrenginį drėgnoje vietoje, nes drėgmė neigiamai veikia elektrinius komponentus.
12. Kai įrenginys atnešamas iš šaltos į šiltą vietą arba į drėgną vietą, ant objektyvo, esančio grotuvo viduje, gali įvykti drėgmės kondensacija. Tokiu atveju įrenginys dirbs netinkamai. Palikite įrenginį mažaug vienai valandai, kad drėgmė išgaruotų.
13. Draudžiama valyti įrenginį cheminiais tirpikliais, nes jie gali pažeisti dengiamąjį laką. Prietaisą valykite švariu, sausu arba šiek tiek drėgnu skudurėliu.
14. Ištraukdami kištuką iš sieninio lizdo, visada traukite už kištuko, niekadus už maitinimo laido.
15. Jeigu įjungtas įrenginys naudojamas šalia įjungto televizoriaus, jis gali sukelti vaizdo iškraipymą linijos ekrane pavidalu. Tai priklauso nuo TV transliacijos bangų juostos. Tai nereiškia, kad įrenginys arba televizorius yra sutrikę. Jei matote tokias linijas, atitolinkite įrenginį nuo televizoriaus.
16. Maitinimo kištukas naudojamas maitinimo įtampos atjungimui ir visada turėtų būti prieinamas.
17. Norėdami išvengti galimo klausos praradimo, ilgai neklausykite garsios muzikos.



DĖMESIO**Deklaracija**

Šiuo Blaupunkt Competence Center 2N-Everpol Sp. z o.o. deklaruoja, kad šis įrenginys atitinka Direktyvos 2014/53 / ES reikalavimus ir kitas atitinkamas nuostatas. Visą atitikties deklaraciją galite rasti interneto svetainėje www.blaupunkt.com gaminio skyriuje.

Atsakingas subjektas 2N-Everpol Sp. Z o.o.

Puławska 403A, 02-801 Warszawa, Polska

Telefonas: +48 22 688 08 00, e. paštas: info@everpol.pl



Produktas pagamintas iš aukštos kokybės medžiagų ir komponentų, kuriuos galima perdirbti ir pakartotinai naudoti.



Jei ant jūsų įrenginio randasi išbrauktas šiukšliadėžės žymeklis, tai reiškia, kad gaminį reglamentuoja Europos direktyvos 2012/19 /ES nuostatos. Privaloma susipažinti su vietos elektros ir elektroninių atliekų surinkimo sistemos reikalavimais. Privaloma laikytis vietinių taisyklių. Draudžiama išmesti šį įrenginį kartu su įprastomis buitinėmis atliekomis. Tinkamas senėjo produkto pašalinimas užtikrins galimų neigiamų pasekmių aplinkai ir žmonių sveikatai prevenciją.



Šiame įrenginyje yra baterijos, kurioms taikoma Europos direktyva 2006/66/EC. Baterijas draudžiama išmesti kartu su buitinėmis atliekomis. Privaloma susipažinti su vietos atskirų medžiagų rinkimo reglamentus, nes dėl teisingo šalinimo bus išvengta galimų neigiamų pasekmių aplinkai ir žmonių sveikatai.

Informacija apie aplinkos apsaugą

Pakuotėje yra tik būtini elementai. Buvo imtasi visų pastangų, kad būtų galima lengvai atskirti tris pakuotės sudedamąsias dalis: kartoną (dėžę), polistirolo putplastį (apsauginė danga) ir polietileno (krepšeliai, apsauginis lakštas). Prietaisas pagamintas iš medžiagų, kurios gali būti perdirbamos ir pakartotinai panaudotos, kai jas išmontoja specializuota įmonė. Privaloma laikytis vietinių pakavimo medžiagų, sunaudotų baterijų ir nereikalingų įrenginių šalinimo taisyklių. Medžiagų įrašymui ir atkūrimui gali reikėti sutikimo. Žr. autorių teisių ir atlikėjų/artistų teisių įstatymą.

Pastaba apie ERP2 (su energija susijusių įrangą)

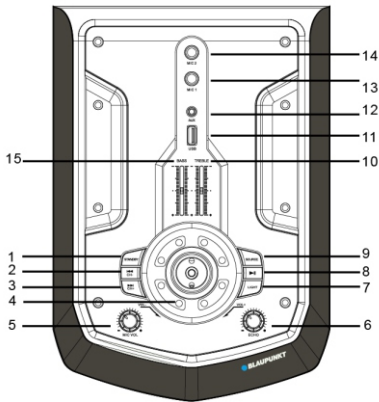
Šis ekologinio projektavimo įrenginys atitinka Komisijos reglamento (EB) Nr. 1275/2008, kuriuo įgyvendinama Direktyva 2009/125/EB dėl nenaudojamų ir budėjimo režimo elektroninių prietaisų energijos vartojimo biure ir buities reikmėms, 2 etapui.



Bluetooth® prekės ženklai ir logotipai priklauso įmonei Bluetooth SIG, Inc. Šių ženklų ir logotipų naudojimas pagal licenciją. Kiti prekių ženklai ir prekių pavadinimai priklauso atitinkamiems savininkams.

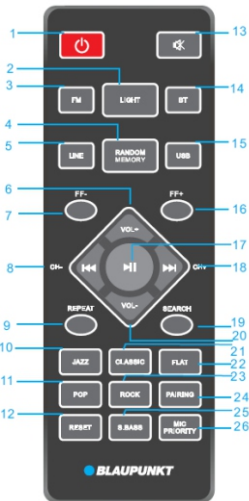
Dėkojame, kad įsigijote mūsų įrenginį. Prieš pradėdami naudoti, atidžiai perskaitykite ir susipažinkite su šia instrukcija. Prašome išsaugoti instrukciją vėlesniam panaudojimui.

Valdymo skydas



- 1 - Budėjimo režimo mygtukas (įjungimas / išjungimas);
- 2,3 - Ankstesnis / kitas / kanalas - / kanalas +;
- 4 - Garso valdymas;
- 5 - Mikrofono garsumo reguliatorius;
- 6 - Mikrofono aidų reguliatorius;
- 7 - Disko apšvietimas
- 8 - Grojimas / pristabdymas;
- 9 - Šaltinis;
- 10,15 - Žemų ir aukštų tonų reguliavimas;
- 11 - USB prievadas;
- 12 - AUX IN lizdas;
- 13,14 - Mikrofono jėgimas 1 ir 2;

Nuotolinio valdymo pultelis



- 1 - Maitinimo mygtukas;
- 2 - Disko šviesos įjungimo / išjungimo mygtukas;
- 3,5,14,15 - FM / LINE IN / Bluetooth / USB mygtukas;
- 4 - Įjungimo / išjungimo mygtukas atsitiktinio grojimo / įsiminimo mygtukas;
- 6,20 - Garsumas +/-;
- 7,16 - Greito perstūmimo mygtukas FF - / +;
- 8,18 - Ankstesnis ir kitas, kanalo mygtukas - / +;
- 9 - Kartojimo mygtuką (pakartokite vieną dainą / pakartokite viską / išjunkite);
- 10,11,21,22,23 - EQ režimai (jazz / pop / classic / flat / rock)
- 12 - Atstatymo mygtukas;
- 13 - Nutildymo mygtukas;
- 17 - Grojimas / pristabdymas;
- 19 - Paieškos mygtukas;
- 24 - Poravimo mygtukas;
- 25 - Super Bass mygtukas;
- 26 - Mikrofono prioriteto mygtukas;

Maitinimo prijungimas

Prašome patikrinti, ar maitinimo šaltinis atitinka nominaliosios įtampos specifikaciją, kuri yra galiniame įrenginio skyde. Jei skiriasi, kreipkitės į platintoją arba remontų centrą.

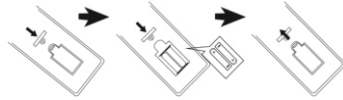
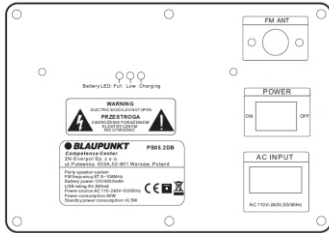
Įkiškite maitinimo laido kištuką į prietaiso lizdą, tada įjunkite maitinimo laidą į maitinimo šaltinio sieninį lizdą. Naudodami galiniame skydelyje esantį jungiklį įjunkite prietaisą. Paspauskite maitinimo mygtuką viršutiniame skyde arba nuotolinio valdymo pulte, kad įjungtumėte displejaus ekraną, kas reiškia, kad maitinimo sujungimas buvo sėkmingai užbaigtas ir galite pradėti tolesnį valdymą.

Maitinimas iš baterijos ir įkrovimas: Prietaisas turi integruotą akumuliatorių (12 V / 4000 mAh), kuris leidžia groti muziką be kintamosios srovės maitinimo šaltinio. Akumuliatorius bus įkrautas, kai yra kintamosios srovės maitinimo šaltinis; galiniame skyde esantis raudonas LED diodas įjungia įkrovimo metu ir užsideds mėlynai, kai akumuliatorius bus pilnai įkrautas; kai dėl žemo baterijos įkrovimo lygio LED diodas užsideds geltonai - prijunkite įrenginį prie įkrovimo. Kolonėlė išsijungs automatiškai, kai akumuliatorius išsikraus.

23 valandų baterijos veikimo laikas, gautas nustačius šiuos nustatymus:

Šaltinis: "Bluetooth" Garsumo lygis: 10
Ekvalaizerio režimas: Ekvalaizerirežimas: plokščias,

Apšvietimas: Švietimas: Išjungtas
Bosų ir aukštų dažnių nustatymai: 0 "Super Bass": Vidutinis lygis.



Nuotolinio valdymo pultelio baterijos įdėjimas

Atidarykite baterijos kameros dangtelį ir įdėkite 2 AAA bateriją (esančią komplekte); įsitikinkite, kad baterijos poliškumas atitinka kameroje išgraviruotą teigiamą ir neigiamą simbolį. Po to uždarykite baterijos kameros dangtelį.

Pastabos:

- Nuotolinio valdymo pultelio darbinis atstumas tai 7 metrai be jokių kliūčių tarp nuotolinio valdymo pultelio ir pagrindinio įrenginio. Valdydami nuotolinio valdymo pultelį, nukreipkite jį į kairiajame displejaus kampe esantį jutiklį.
- Nuotolinio valdymo pultelio jautrumas sumažėja baterijai išsikraunant. Pakeiskite ją nauja, kad nuotolinio valdymo pultelis veiktų tinkamai.
- Išimkite bateriją, jei nenaudojate nuotolinio valdymo pultelio ilgą laiką.
- Baterijas utilizuokite aplinkai nekenksmingu būdu. Prašome susipažinti su vietos valdžios institucijų reikalavimais dėl utilizavimo.

Bendras valdymas

- Įjungimas / išjungimas:** paspauskite viršutiniame skydelyje esantį budėjimo režimo mygtuką arba nuotolinio valdymo pulto maitinimo mygtuką, kad įjungtumėte arba išjungtumėte įrenginį; Atjunkite kištuką nuo elektros lizdo, kad išjungtumėte maitinimą.
- Atkūrimo šaltinio pasirinkimas:** Paspauskite šaltinio pasirinkimo mygtuką viršutiniame skyde arba paspauskite FM, BT, LINE, mygtuką USB nuotolinio valdymo pulte, kad perjungtumėte atkūrimo šaltinį tarp FM / Bluetooth / Line in / USB.
- Garsumo reguliavimas:** Pasukite garsumo reguliatorių viršutiniame skyde arba paspauskite nuotolinio valdymo pultelio mygtuką VOL +/-, kad padidintumėte arba sumažintumėte garsumo lygį.
- Aukštų ir žemų tonų reguliavimas:** Norėdami reguliuoti išvesties garso toną, perjunkite boso/soprano reguliavimo slankiklį aukštyn arba žemyn.
- Garso nutildymas:** paspaudus MUTE mygtuką ant nuotolinio valdymo pulto garsas nutildomas; Paspaudus šį mygtuką garsas vėl grįžta iki anksčiau nustatyto lygio.
- Ekvalizerio nustatymai:** paspaudus atitinkamą nuotolinio valdymo pulto mygtuką galite pakeisti ekvalizerio režimą tarp Jazz / Classic / Flat / POP / ROCK / Super Bass.
- Grojimas / pristabdymas:** paspauskite grojimo / pristabdymo mygtuką, kad pristabdytumėte arba atnaujintumėte muzikos grojimą Bluetooth / USB režime.
- Kartojimas ir atsitiktinis atkūrimas:** paspauskite pakartojimo mygtuką, kad įjungtumėte atitinkamą muzikos kartojimo režimą; Paspauskite atsitiktinio atkūrimo mygtuką, kad įjungtumėte / išjungtumėte atsitiktinį atkūrimą USB režime.
- Apšvietimas:** paspauskite keletą kartų apšvietimo mygtuką, kad perjungtumėte apšvietimo režimą tarp aštuonių efektų arba išjungtumėte.
- Atstatymas:** paspauskite RESET mygtuką ant nuotolinio valdymo pulto, kad atkurtumėte gamyklinius nustatymus.

FM radijo valdymas

Prieš klausydami FM radijo, perkelkite prietaisą prie lango, kad gautumėte geresnį FM radijo ryšį. Tada prijunkite pridėtą išorinę anteną prie FM antenos lizdo galiniame skyde, kad būtų priimami radijo dažniai.

- Automatinis radijo stočių nuskaitymas ir programavimas (automatinis režimas):** trumpas grojimo / pristabdymo mygtuko viršutiniame skyde paspaudimas arba nuotolinio valdymo pulto paieškos mygtuko paspaudimas įjungia galimų radijo stočių automatinio nuskaitymo ir išsaugojimo režimą. Kai nuskaitymas bus baigtas, įrenginys automatiškai pradės groti pirmąją užprogramuotą stotį. (Maksimalus palaikomas užprogramuotų stočių skaičius: 40)
- Radijo stočių pasirinkimas:** radijo režime paspauskite mygtuką sekantis / ankstesnis viršutiniame skyde arba nuotolinio valdymo pulte, kad pasirinktumėte ir paleistumėte ankstesnę ar sekančią numatytą stotį.
- Radijo stočių nustatymas (rankinis režimas):** kelias sekundes palaikykite nuspaudę mygtuką sekantis / ankstesnis , kad įjungtumėte automatišką nuskaitymą arba trumpai paspauskite nuotolinio valdymo pultelio mygtuką FF +/-, kad nustatytumėte savo mėgstamą stotį, o tada paspauskite atminties mygtuką, kad paleistumėte rankinį programavimo režimą, tada nuotolinio valdymo pulte paspauskite mygtuką +/-, kad pasirinktumėte pageidaujama stoties vietą, vėl paspauskite atminties mygtuką, kad patvirtintumėte ir baigtumėte programavimą.

USB atkūrimas

Įrenginys turi USB atkūrimo funkciją, kuri gali dekoduoti ir atkurti muziką iš nešiojamų USB atmintukų. Prieš atkurdami kopijuokite MP3 muziką į USB atmintinę; Įdėkite USB atmintuką į įrenginį, nes USB atkūrimo režimas yra prieinamas tik tada, kai USB atmintukas tinkamai prijungtas. Tada prietaisas automatiškai ras ir atkurs MP3 muziką.

Kūrinio pasirinkimas: trumpai paspauskite ankstesnis / sekantis mygtuką, kad pasirinktumėte ankstesnį ar sekantį kūrinį; Paspauskite ir palaikykite perštūmimo mygtuką, kad greitai pereitumėte į šiuo metu grojamo kūrinio tolesnę dalį, paleiskite mygtuką, kad galėtumėte toliau atkurti kūrinį.

USB režimu galima naudotis šiomis funkcijomis: paleisti / pristabdyti, nutildyti, kartoti, garso ekvalizeris, aukštų / žemų tonų reguliavimas ir kt. Išsami informacija pateikiama šios instrukcijos skyriuje „Bendras valdymas“.

Pastabos:

- Nerekomenduojama prijungti USB atmintuko su USB prailginimo kabeliu, nes tai gali turėti neigiamos įtakos atkūrimo kokybei ir sukelti triukšmą ar pertraukti garšą dėl garso duomenų praradimo per duodant failą.
- Negalima garantuoti visų MP3 kūrinių dekodavimo ir atkūrimo.
- Įrenginys palaiko USB atmintukus, kurių maksimali talpa yra 32GB.
- Automatinis kai kurių USB atmintukų atkūrimas, dėl tipo ir gamintojo, gali užtrukti šiek tiek ilgiau; Atminkite, kad tai nėra defektas.

Bluetooth veikimas

Šis produktas turi Bluetooth funkciją, kuri leidžia belaidžiu būdu leisti muziką iš kito Bluetooth įrenginio (pvz., išmanojo telefono, planšetinis kompiuteris ir pan.).

- Paspauskite keletą kartų šaltinio mygtuką, kad pereitumėte į Bluetooth režimą, displejuje pasirodys "BLUE", kas reiškia, kad prietaisas yra pasirengęs susiporuoti.
- Įjunkite išorinio įrenginio Bluetooth funkciją ir ieškokite prieinamo įrenginio (žr. išorinio įrenginio naudojimo instrukciją), tada patikrinkite prieinamą Bluetooth įrenginį sąraše. Pasirinkite "BP PS05.2DB" prijungimui, displejus su mirksinčiu tekstu "BLUE" taps stabilus po sėkmingo poravimo.
- Išoriniame Bluetooth įrenginyje pasirinkite ir įjunkite muziką, o tada garsas bus atkuriamas naudojant šio įrenginio garsiakalbį.
- Paspauskite mygtuką ankstesnis / sekantis, kad atkūrimo metu pasirinkti paskutinį ir sekantį kūrinių.
- Bluetooth režime galima gauti grojimo / pristabdymo, nutildymo, garso koregavimo, aukštų ir žemų tonų reguliavimo funkcijas. Išsami informacija pateikiama šios instrukcijos skyriuje „Bendras valdymas“.

Pastabos:

- Dėl skirtingų dizainų ir prekių ženklų negalima garantuoti visų Bluetooth įrenginių prijungimo.
- Bluetooth darbinis atstumas yra 10 metrų be jokių kliūčių.
- Įrenginys gali suporuoti ir veikti su vienu Bluetooth įrenginiu.
- Ateinančios skambučio Bluetooth atkūrimo metu, atveju; Muzika sustos trumpam ir vėl tęsis pabaigus telefono pokalbį.
- Nuotolinio valdymo pulte paspauskite poravimo mygtuką, kad uždarytumėte dabartinį ryšį su Bluetooth įrenginiu ir pradėti poravimą su kitu įrenginiu.

Darbas AUX IN režime

Norint prisijungti ir paleisti muziką iš kito grotuvo ar įrenginio, sekite žemiau pateiktas instrukcijas:

Naudojant garso kabelį, sujunkite prietaiso viršuje esantį AUX IN lizdą su grotuvo linijine išvestimi arba ausinių lizdu, pvz. prie MP3 grotuvo, CD, DVD, mikserio ir pan. Tada pasirinkite ir paleiskite muziką išoriniame grotuve, o šis įrenginys atkurs garšą. AUX-IN režimu išorinis grotuvas turi pagrindinį atkūrimo valdymą. Šiame prietaise galite valdyti garsumą, nutildyti garšą ir sureguliuoti boso ir soprano lygį.

Karaoke

Įrenginyje yra 1 belaidis mikrofonas ir 2 lizdai laidiniams mikrofonams, kurie leidžia muzikiniame renginyje dainuoti dainas. Prieš naudodami pridėtą belaidį mikrofoną atidarykite baterijų kamerą, pagal poliškumo simbolį +/- įdėkite 2 vnt. AA baterijų (nėra rinkinyje), tada uždarykite kamerą ir įjunkite mikrofoną. Prietaisas automatiškai susiejamas su mikrofonu. Nustatykite atitinkamą mikrofono garsumą, pasukdami mikrofono viršuje esantį garsumo reguliatorių. Mikrofonas paruoštas naudoti. Prijunkite laidinį mikrofoną (nėra rinkinyje) prie 6,3 mm lizdo. Įjunkite mikrofoną, ir po to galima pradėti dainuoti.

Patarimai:

- Jei naudojate mikrofoną Karaoke funkcijai palaikyti, galite naudoti atitinkamus reguliatorius, kad nustatytumėte tonų / bosų / aido nustatymą.
- Kolonėlė šiuo momentu gali skleisti garšų triukšmą ar iškraipymus, kai garsumo lygis, boso ar soprano nustatymai arba aido funkcija yra per auštame lygyje. Tai nėra defektas. Sumažinkite aukščiau pateiktų nustatymų lygį, tada įjunkite arba išjunkite mikrofoną.
- Mūsų įrenginys turi mikrofono prioritetą funkciją. Jei pasirinksite šią funkciją nuotolinio valdymo pulte, karaoke garsas bus grojamas naudojant kolonėles ir bus prioritetinis (be foninės muzikos); Kai baigsite dainuoti, muzikos atkūrimas prasidės automatiškai.
- Galite naudoti karaoke funkciją ir klausytis muzikos vienu metu; Atveju, kai reikia padidinti karaokės garsumą ir sumažinti fono muzikos lygį, galite reguliuoti mikrofono ir kolonėlių garsumą atskirai, naudodami atitinkamus reguliatorius.
- Reikia išjungti mikrofoną, kai bus padėtas šalia kolonėlės, kitaip sukels daug triukšmo.

Triukšų šalinimas

1. Kolonėlė negali įsijungti.

a. Patikrinkite, ar maitinimo prijungimas teisingas.

2. Nėra garso.

a. Pabandykite sureguliuoti garso reguliatorių ir patikrinti atkūrimo šaltinį.

b. Susisiekiate su remonto centru, jei problema išlieka.

3. Iškraipytas garsas.

a. Pabandykite sureguliuoti ir atkurti muziką mažesniame lygyje.

b. Patikrinkite aukštų / žemų tonų nustatymą.

4. Triukšmas ir trukdžiai klausant FM stočių.

a. Perkelkite prietaisą į kitą vietą geresniam priėmimui.

b. Įjunkite iš naujo nuskaitymą arba pakeiskite stotį į kitą.

Specifikacija

Maitinimo šaltinis: AC 110-240V, 50/60 Hz.

FM dažnis: 87,5-108,0 MHz.

USB prievadas: 5V, 500mA, Versija 2.0, palaiko iki 32 GB masinę atmintį.

Bluetooth: V2.1 + EDR, Darbinis nuotolis iki 10m

RMS išėjimo galia: 2 x 30 W.

Žemų ir aukštų tonų reguliavimas: -9dB ~ + 9dB.

Mikrofonas: lizdas 2 x 6,3 mm, Laidinio mikrofono pajungimas; 1 x belaidis mikrofonas

Akumuliatorius: 12V / 4000mAh; įkrovimo laikas: 3 ~ 4 valandos; grojimo laikas: 2 ~ 3 valandos.

Vartojamoji galia: 80W

POMEMBNA POROČILA O VARNOSTI



Pozor:

Da bi zmanjšali nevarnost električnega udara, ne razstavljajte pokrova in zadnjega dela naprave. Znotraj naprave ni elementov, ki bi jih lahko uporabnik samostojno popravil. Vzdrževalna dela in popravila lahko opravljajo le usposobljeni serviserji.

Razlaga grafičnih simbolov:



Simbol strele s puščico na koncu, v enakostraničnem trikotniku opozarja uporabnika na neizolirano »nevarno napetost« v ohišju naprave. Napetost lahko doseže vrednost, ki predstavlja tveganje električnega udara.



Klicaj v enakostraničnem trikotniku opozarja uporabnika na pomembne informacije o uporabi in vzdrževanju naprave, ki jih vsebuje dokumentacija, priložena napravi.

Prosimo, da pred uporabo naprave preberete ta navodila, da bi se seznanili s funkcijami naprave in jo uporabljali skladno z namenom. S tem lahko zagotovite dolgotrajno, nemoteno in prijetno uporabo naprave.

Pomembni podatki

- Shranite ta navodila za uporabo in poročila o varnosti, ker jih boste lahko potrebovali v prihodnosti.
- Ne dovolite, da se na napravo razlije oziroma nanjo kaplja tekočina.
- Naprave ne uporabljajte v vlažnih prostorih, kot je na primer kopalnica.
- Naprave ne smete namestiti na naslednji način:
- Naprava ne sme biti izpostavljena neposrednemu vplivu sončnih žarkov oz. se ne sme nahajati v bližini grelcev.
- Naprava se ne sme postaviti na drugo stereofonsko napravo, ki oddaja toploto.
- Naprava ne sme ovirati prezračevanja oz. se ne sme nahajati v zaprašenem prostoru.
- Naprava ne sme biti izpostavljena stalnim vibracijam.
- Naprava se ne sme nahajati v prostorih z visoko vlažnostjo.
- Naprava se ne sme nahajati v bližini sveč ali odprtega ognja.
- Napravo uporabljajte le na način, opisan v teh navodilih.
- Pred prvim vklopom napajanja se je treba prepričati, da je napajalnik pravilno prikljupljen.
- USB-spomin se priklopi neposredno oz. s pomočjo USB-podaljška dolžino do 25 cm.

Zaradi varnosti ni dovoljeno razstavljanje ohišja oz. pronicanje v notranjost naprave. Napravo lahko popravi le usposobljeno servisno osebje.

Ne razstavljajte in ne odpirajte ohišja naprave, kajti noter ni delov, ki bi jih lahko popravil uporabnik. Vzdrževalna dela in popravila lahko opravljajo le usposobljeni serviserji.

POROČILA O VARNOSTI

1. Preberite navodila za uporabo – pred uporabo naprave je treba prebrati vsa navodila za uporabo in poročila o varnosti.
2. Shranite navodila za uporabo – navodila za uporabo je treba shraniti za primer kasnejše uporabe.
3. Upošteвайте opozorila – ukrepajte skladno z vsemi opozorili, ki jih vidite na napravi ter z opozorili, omenjenimi v navodilih za uporabo.
4. Sledite navodilom – ukrepajte skladno z navodili za uporabo in navseti za uporabnika.
5. Namestitev – napravo postavite skladno s proizvajalčevimi navodili.
6. Viri napajanja – napravo napajajte izključno iz virov, ki odgovarjajo parametrom, navedenim na napajalnem kablu. Če niste prepričani, kakšno napajanje imate doma, obrnite se na prodajalca naprave oz. lokalnega dobavitelja električne energije.
7. Ozemljitev in polarizacija napajanja – napravo lahko uporabljate brez ozemljitve. Prepričajte se, da je vtič v celoti nameščen v omrežni vtičnici oz. podaljšku, tako da se stiki ne vidijo. Nekatere različice naprave so lahko opremljene s polariziranim vtičem za izmenični tok (en stik je debelejši). Takšen vtič lahko vklopite v omrežno vtičnico le na en način. To je zavarovalna funkcija. Če vtiča ne morete vklopiti v vtičnico, ga poskusite obrniti. Če se vtič še vedno ne ujema z vtičnico, naj vam jo električar zamenja. Zavarovanje iz polariziranega vtiča ne smete odstranjevati. Če uporabljate podaljšek ali napajalni kabel, ki nista priložena napravi, se prepričajte, da imata ustrezne vtiče in potrdilo o varnosti, ki se zahteva v določeni državi.
8. Zavarovanje napajalnega kabla – napajalni kabel je treba namestiti na način, ki omejuje nevarnost potepanja, pritiskanja oz. naključnega razrezanja. Bodite posebej pozorni na vtiče, omrežne vtičnice in mesta, kjer kabli izhajajo iz naprave.
9. Preobremenitev – preobremenitev zidnih vtičnic, podaljškov in električnih razdelilnikov ni dovoljena, saj lahko to privede do požara ali električnega udara.
10. Prezračevanje – napravo je treba pravilno prezračevati. Ne postavite je na posteljo, kavč ali podobne površine. Ne prekrivajte je s prti, robci, revijami idr.
11. Toplota – naprave ne postavite v bližino virov toplote, kot so grelci, sevalniki, peči in druge naprave (tudi ojačevalniki), ki oddajajo toploto. Na napravo ne postavite gorečih svečk in drugih virov odprtega ognja.
12. Voda in vlaga – da bi zmanjšali tveganje požara ali električnega udara, naprave ne izpostavite neposrednemu vplivu dežja, vode in vlage, na primer ne postavite je v savni ali kopalnici. Te naprave ne smete uporabljati v bližini vode, na primer zavrni kadi, umivalnika, korita oz. škafo, v vlažni kleti oz. v bližini bazena (in podobnih mest).
13. Predmeti in tekočine v napravi – skozi odprtine v napravi ne potiskajte nobenih predmetov, saj se tisti predmeti lahko dotaknejo točk z nevarno napetostjo in s komponentami, kar lahko privede do požara oz. električnega udara. Nikakor ne razližite nobenih tekočin na površino naprave. Na napravo ne smete postaviti predmetov, ki vsebujejo tekočine.

14. Čiščenje – preden začnete s čiščenjem, napravo vedno odklopite iz omrežne vtičnice. Prah, ki je okoli zvočnika, lahko obrišete s suho krpo. Če za čiščenje uporabljate aerosol, razpršilo usmerite na krpo, ne pa neposredno na napravo. Pazite, da se ne poškodujejo pogonske enote.
15. Dodatna oprema – ne uporabljate pripomočkov, ki jih proizvajalec ne potrdi, ker lahko predstavljajo nevarnost.
16. Pripomočki – naprave ne postavite na nestabilen voziček, stojalo, stavivo, konzolo ali mizo. Naprava se lahko prevrne in poškoduje, lahko tudi hudo poškoduje otroka ali odraslo osebo. Uporabite le vozičke, stojala, stavivo, konzole in mize, ki jih priporoča proizvajalec oz. ki se prodajajo skupaj z napravo. Namestitvev naprave mora potekati skladno z navodili proizvajalca, ob uporabi montažnega seta, ki ga priporoča proizvajalec.
17. Prestavljanje naprave – napravo postavite na voziček in zelo previdno prestavite. Nenadna ustavitve vozička, prevelika moč oz. neravne površine lahko pripeljejo do prevrnitve vozička z napravo.
18. Obdobje mirovanja naprave – napajalni kabel je treba odklopiti iz omrežne vtičnice v primeru neviht s strelami oz. ko naprave ne boste dlje časa uporabljali.
19. Servisiranje - naprave ne smete servisirati samostojno. Po odpiranju ohišja je uporabnik izpostavljen visoki napetosti in drugi nevarnosti. Vzdrževalna dela in popravila lahko opravljajo le usposobljeni serviserji.
20. Ko naprave ne uporabljate, odklopite njen vtič iz omrežne vtičnice. Ko je naprava priključena na vir napajanja, ni nikoli popolnoma izklopljena, vendar je v stanju pripravljenosti.
21. Nadomestni deli – ob zamenjavi delov je treba preveriti, ali je serviser uporabil nadomestne dele proizvajalca oz. ali nadomestni deli ustrezajo originalnim delom. Uporaba nepotrjenih delov lahko privede do požara, električnega udara oz. drugih nevarnih razmer.
22. Glavne varovalke – da bi napravo trajno zavarovali pred požarom, uporabite varovalke ustrezne vrste in parametrov. Parametri varovalk glede napetosti so označeni na napravi.
23. Ne povečajte glasnosti ob poslušanju tihega posnetka oz. ko ni vhodnega zvočnega signala. Z nenadnim povečanjem intenzitete signala lahko poškodujete zvočnik.
24. Edini način popolnega odklopa naprave iz vira napajanja je odklop napajalnega kabla iz omrežne vtičnice oz. iz naprave. Omrežna vtičnica oz. vhod za napajalni kabel morata biti vedno dostopna med uporabo naprave.
25. Napravo je treba postaviti v bližini omrežne vtičnice oz. podaljška, na tak način, da je vtičnica vedno dostopna.
26. Maksimalna temperatura v prostoru, kje je naprava, je 35 °C.
27. Nasveti glede električnih razelektritev – če delovanje naprave motijo električne razelektritve, je treba napravo izklopiti in ponovno vklopiti oz. jo prestaviti na drugo mesto.
28. Baterija
- a. Baterije ne smejo biti izpostavljene vplivu prekomerne toplote, npr. sončnih žarkov, ognja idr.
- b. Pri odstranjevanju baterij je treba biti posebno pozoren na okoljevarstvena vprašanja.
- c. Opozorilo glede uporabe baterije: da se prepreči puščanje baterije, ki lahko privede do poškodb telesa oz. naprave:
- Ob namestitvi baterij pazite na polarizacijo (+ in -).
 - Skupaj ne smete uporabljati novih in starih baterij, standardnih in alkalnih idr.
 - Če naprave več časa ne uporabljate, odstranite baterije.

OPOZORILO

- Naprave ne smejo uporabljati osebe (vključno z otroki) z zmanjšano fizično, senzorično ali mentalno sposobnostjo ali brez izkušenj oz. znanja, razen če so pod nadzorom osebe, ki je odgovorna za njihovo varnost, oz. če so se poučile z navodili o varni uporabi naprave. Prisotnost odraslih je obvezna, če napravo uporabljajo otroci. S tem se lahko zagotovi varna uporaba naprave.
1. Vključene naprave ne smete pustiti brez nadzora! Napravo izklopite, tudi če naprava le nekaj časa počiva.
 2. Naprave ne smete uporabljati preko zunanje ure s časovnim sistemom oz. preko ločenega sistema z daljinskim upravljanjem.
 3. Da bi se izognili nevarnosti v primeru poškodovanja napajalnega kabla, zamenjave lahko opravi le proizvajalec, pooblaščen servisno podjetje oz. ustrezno usposobljen strokovnjak.
 4. Pred začetkom uporabe naprave je treba preveriti, ali napetost naprave ustreza napetosti lokalnega električnega omrežja.
 5. Prezračevalni odprtini ne prekrivajte, npr. z revijami, prti, zavesami idr. Prepričajte se, da je nad napravo ohranjenega najmanj 20 cm prostega prostora, na straneh pa vsaj 5 cm.
 6. Ne dovolite, da na napravo kaplja oz. da se nanjo razlije tekočina, na napravo ne postavite predmetov s tekočino, npr. vaz.
 7. Da se prepreči nastajanje požara ali nevarnost električnega udara, napravo zaščitite pred vročino, vplivom dežja, vlage in praha.
 8. Naprave ne postavite v bližini katerih koli virov vode, npr. umivalnikov, kadi, pralnih strojev oz. bazenov. Napravo postavite na ravno in stabilno podlago.
 9. Naprave ne izpostavite močnemu magnetnemu polju.
 10. Naprave ne postavite neposredno na ojačevalnik ali sprejemnik.
 11. Naprave ne postavite na vlažno mesto, ker ima vlaga negativni vpliv na električne komponente.
 12. Ko napravo prestavite iz hladnega prostora v tople oz. vlažen prostor, lahko pride do kondenzacije vlage na leči znotraj predvajalnika. To lahko povzroči nepravilno delovanje naprave. Napravo pustite vključeno vsaj na eno uro, da vlaga izpari.
 13. Naprave ne čistite s kemijskimi topili, ker se lahko na ta način poškoduje lakirana površina ohišja. Napravo obrišite s čisto, suho oz. rahlo navlaženo krpicco.
 14. Med odklopom vtiča iz omrežne vtičnice je treba vedno vleči za vtič, nikoli za napajalni kabel.
 15. Ko se vključena naprava uporablja v bližini vključenega TV-ja, lahko pride do motenj slike v obliki črt na zaslonu. To je odvisno od valov TV-prenosa. To ne pomeni, da naprava oz. TV ne delujeta pravilno. Če se vidijo črte, premaknite napravo stran od TV-ja.
 16. Omrežni vtič se uporablja za odklop napajanja in zato mora biti vedno dostopen.
 17. Da bi preprečili nevarnost izgube sluha, glasne glasbe ne poslušajte dlje časa.



POZOR

Izjava
S tem Blaupunkt Competence Center 2N-Everpol Sp. z o.o. izjavlja, da je ta naprava v skladu z zahtevami in drugimi ustreznimi določili uredbe 2014/53/EU. Celotno izjavo o skladnosti si lahko ogledate na spletni strani www.blaupunkt.com v zavihku izdelka.

Odgovorni subjekt: 2N-Everpol Sp. Z o.o.
Puławska 403A, 02-801 Warszawa, Polska
Telefon: +48 22 688 08 00, e-naslov: info@everpol.pl



Naprava je izdelana iz visokokakovostnih materialov ter komponent, ki se lahko reciklirajo in ponovno uporabijo.



Če je na napravi oznaka prekrizan zabojnik za odpadke, to pomeni, da za izdelek veljajo določila evropske smernice 2012/19/EU. Seznaniti se je treba z lokalnimi zahtevami za zbiranje električnih ter elektronskih odpadkov. Ukrepiti je treba v skladu z lokalnimi predpisi. Izdelek se ne sme odstranjevati skupaj z navadnimi odpadki. Ustrezno odstranjevanje starega izdelka pomaga izključiti morebitne negativne učinke na okolje in človekovo zdravje.



Naprava je opremljena z baterijo, ki jo določa evropska smernica 2006/66/EC. Baterija se ne sme odstranjevati skupaj z gospodinjstvi odpadki. Treba se je seznaniti z lokalnimi predpisi za ločeno zbiranje odpadnih baterij, ker le ustrezna odstranitev preprečuje morebitne negativne učinke za okolje in človekovo zdravje.

Podatki za varovanje okolja

Komplet vsebuje samo potrebne elemente. Prizadevali smo si, da bodo vsi trije elementi embalaže lahko odstranljivi: karton (škafka), polistirenska pena (zunanja zaščita) in polietilen (vreče, zaščitna plast). Naprava je izvedena iz materialov, ki se lahko reciklirajo, ter jih lahko po demontaži s strani strokovnega podjetja ponovno uporabljamo. Upoštevati je treba lokalne predpise za odstranjevanje embalaž, porabljenih baterij ter nepotrebnih naprav. Za zapisovanje in predvajanje je treba obvezno pridobiti soglasje. Glej Zakon o avtorskih pravicah in pravicah izvajalcev/umetnikov.

Opomba glede ERP2 (naprav, povezanih z energijo)

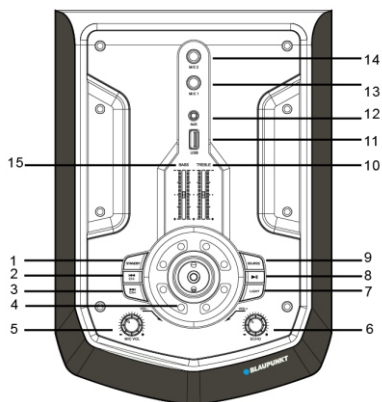
Ta naprava z ekonačrtom izpolnjuje zahteve 2. etape Uredbe Komisije (ES) št. 1275/2008 o izvajanju Uredbe 2009/125/ES glede porabe energije o vzpostavitvi okvira za določanje zahtev za primerno okoljsko zasnovane izdelke, povezanih z energijo.



Podjetje Bluetooth SIG, Inc. USA je lastnik blagovnih znamk in logotipa Bluetooth®. Za uporabo teh znamk in logotipa se zahteva licenca. Druge znamke in trgovska imena so v lasti ustreznih lastnikov.

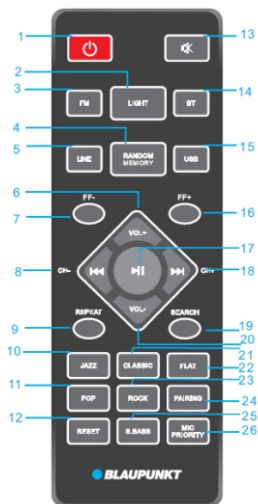
Zahvaljujemo se vam, da ste za nakup izbrali naš izdelek. Prosimo, da pred uporabo naprave pozorno preberete navodila. Priročnik shranite za nadaljnjo uporabo.

Nadzorna plošča



- 1- Standby (Power on/off);
- 2,3- Previous & Next/Channel & Channel +;
- 4- Volume control;
- 5- Microphone volume control knob;
- 6- Microphone echo control knob;
- 7- Disco light
- 8- Play/pause;
- 9- Source;
- 10,15- Treble & bass adjustment;
- 11-USB port;
- 12-AUX IN jack;
- 13,14-Microphone 1 & 2 input;

Daljinski upravljalnik



- 1- Power button;
- 2- Disco light button;
- 3,5,14,15- FM/LINE IN/Bluetooth/USB button;
- 4-Random on/off & memory button;
- 6,20-Volume +/- button;
- 7,16- FF/+ button;
- 8,18-Previous & next, Channel -/+ button;
- 9-Repeat button (repeat one/repeat all/off);
- 10,11,21,22,23- EQ(Jazz/POP/Classic/Flat/Rock)
- 12-Reset button;
- 13-Mute button;
- 17-Play/pause button;
- 19-Search button;
- 24- Pairing button;
- 25- Super bass button;
- 26- Microphone priority button;

Povezava na napajanje

Prosimo preverite ali vir napajanja ustreza specifikacijam, ki so zapisane na zadnji plošči naprave. V kolikor se ne ujemajo, se prosimo posvetujte s prodajalcem ali servisnim centrom.

Vstavite konec napajalnega kabla v AC priključek na napravi in nato drugi konec povežite v zidno vtičnico, da napravo povežete na napajanje. Vključite napravo s stikalom, ki se nahaja na zadnjem panelu. Pritisnite gumb za vklop na nadzorni plošči ali na daljinskem upravljalniku, da se zaslon vključi, kar pomeni, da je povezava na napajanje uspešna in lahko začnete z nadaljnjo uporabo.

Napajanje z baterijo in polnjenje: Naprava je opremljena z vgrajenim akumulatorjem (12 V / 4000 mAh), ki omogoča predvajanje glasbe brez priklopa napajanja z izmeničnim tokom. Akumulator se napolni, ko je na voljo napajanje z izmeničnim tokom. Rdeča dioda LED na zadnjem panelu sivi ob polnjenju in začne svetiti modro, ko je akumulator napolnjen. Ko zaradi nizke ravni napoljenosti akumulatorja dioda LED sivi rumeno, priključite napravo na polnjenje. Ko je akumulator prazen, se zvočnik samodejno izklopi.

23-urni čas predvajanja na baterijo je dosežen z naslednjimi nastavitvami:

Vir: Bluetooth

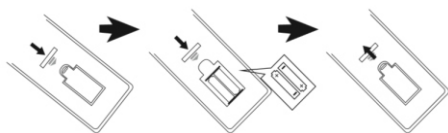
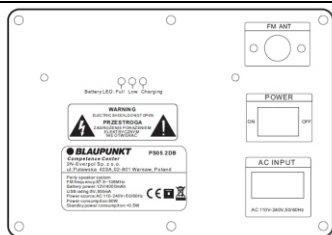
Stopnja glasnosti: 10

Osvetlitev: 1: Izklopljeno:

Način izenačevalnika: Ravno,

Nastavitve nizkih in visokih tonov: 0

Super bass: Srednja raven.



Kaugjuhtimispuldi patarei paigaldamine

Avage patareikambri kate ja sisestage 2 AAA patarei (komplektis); veenduge, et patarei polaarus oleks kambris graveeritud pluss ja miinus sümbolitega kooskõlas. Seejärel sulgege patareikambri kate.

Märkused:

- Kaugjuhtimispuldi tööulatus on puldi ja pealükse vaheliste tõtete puudumisel 7 meetrit. Töötamise ajal tuleb pult suunata kuvari vasakus nurgas paikneva anduri suunas.
- Kaugjuhtimispuldi tundlikkus hakkab patarei tühjaks laadimisega vähenema. Puldi õigesti töötamiseks vahetage see uue vastu välja.
- Puldi pikemat aega mitte kasutamise korral palun patarei välja võtta.
- Patarei tuleb ära visata keskkonnasõbralikul viisi. Palun tutvuda utiliseerimist puudutavate kohalike võimude nõuetega.

Osnovno delovanje

- Vklop / izklop:** Pritisnite gumb za vklop na vrhu nadzorne plošče ali na daljinskem upravljalniku, da vključite ali izključite napravo; izključitev napajalnega kabla popolnoma izključi napravo.
- Izbira vira predvajanja:** Pritisnite gumb za izbiro vira na zgornji strani nadzorne plošče, ali pritisnite FM, BT, LINE, USB gumb na daljinskem upravljalniku ter na ta način preklopite med FM/Bluetooth/linijskim/USB načinom.
- Prilagoditev glasnosti:** Zasučite glavni gumb za prilagoditev glasnosti ali pritisnite VOL +/- na daljinskem upravljalniku ter na ta način zvišajte ali znižajte glasnost predvajanja.
- Prilagoditev visokih & nizkih tonov:** S pomikanjem drsnika na nadzorni plošči lahko prilagodite nivo basov in visokih tonov izhodnega zvoka.
- Utišanje zvoka:** Pritisnite gumb MUTE na daljinskem upravljalniku za utišanje zvoka; ponovno pritisnite za ponastavitev predvajanja.
- Prednastavljen izenačevalnik (EQ):** Pritisnite gumb na daljinskem upravljalniku za izbiro med načini predvajanja Jazz/Classic/Flat/POP/ROCK/Super bass.
- Predvajanje/pavza:** Pritisnite gumb za pavzo predvajanja in ponovno pritisnite za predvajanje v Bluetooth/USB načinu.
- Ponavljanje & naključno:** Pritisnite gumb za izbiro med načini predvajanja ponavlja eno/ponavlja vse/izključeno ponavljanje; pritisnite gumb za naključno predvajanje za vklop/izklop naključnega vrstnega reda v USB načinu.
- Disko osvetlitev:** Z zaporednimi pritiski na gumb lahko izbirate med 8 efekti in izklopom osvetlitve.
- Ponastavitev:** Pritisnite gumb za ponastavitev na daljinskem upravljalniku, da ponastavite tovarniške nastavitve.

Delovanje FM radia

Pred začetkom poslušanja FM radia, prosimo poizkusite pomakniti napravo v bližino okna ali na lokacijo kjer boste zagotovili dober FM sprejem. Enota ima vgrajeno notranjo FM anteno. Nato priključite priloženo zunanjo anteno na vtičnico za anteno FM na zadnjem panelu, da bi sprejemali radijske frekvence.

- Samodejno iskanje in shranjevanje radijskih postaj (vse v enem):** Za samodejno iskanje in shranjevanje razpoložljivih radijskih postaj kratko pritisnite na gumb predvajanje/pavza, ali pritisnite gumb za iskanje na daljinskem upravljalniku. Po končanem iskanju bo enota samodejno začela s predvajanjem prve shranjene postaje (maksimalno število postaj: 40).
- Izbira shranjene radijske postaje:** V radio načinu predvajanja pritisnite gumb prejšnji/naslednji na nadzorni plošči ali daljinskem upravljalniku, da izberete in predvajate prejšnjo ali naslednjo shranjeno postajo.
- Shranjevanje postaje v spomin:** Pritisnite in zadržite gumb naslednji/prejšnji za nekaj sekund, da aktivirate samodejno iskanje ali kratko pritisnite FF +/- na daljinskem upravljalniku za predvajanje priljubljene radijske postaje in nato pritisnite gumb za spomin, da postajo shranite in s pritiski na kanal +/- na daljinskem upravljalniku izberite želeno lokacijo postaje, ponovno pritisnite gumb za spomin, da potrdite shranjevanje postaje.

USB predvajanje

Ta produkt ima možnost USB predvajanja, kar pomeni da lahko prebere in predvaja glasbene datoteke iz USB naprave. Preden začnete z delovanjem, prosimo kopirajte glasbene datoteke MP3 formata na USB napravo in jo ustavite v enoto, saj je USB način omogočen le kadar je USB naprava uspešno povezana. Enota bo zaznala MP3 glasbo in jo samodejno predvajala.

Izbira skladb: Kratko pritisnite gumb naslednji/prejšnji za izbiro naslednje ali prejšnje skladbe; pritisnite in zadržite gumb za hitro previjanje naprej ali nazaj in spustite za ponovno normalno predvajanje.

V USB načinu so vam na razpolago funkcije predvajanje/pavza, utišanje, ponavljanje, EQ, visoki/nizki toni idr. Prosimo upoštevajte navodila opisana v sklopu »Osnovno delovanje«.

Opombe:

- Povezava USB naprave z USB podaljškom je odsvetovana, saj to lahko povzroči šum ali moten zvok zaradi izgub avdio podatkov med prenosom.
- Branje in predvajanje vseh MP3 glasbenih formatov ni zagotovljeno.
- Maksimalna podprta kapaciteta USB naprave je 32 GB.
- Nekateri tipi naprav ali naprave določenih blagovnih znamk potrebujejo daljši čas za predvajanje; prosimo upoštevajte, da to ni napaka v delovanju.

Bluetooth delovanje

Ta produkt vključuje Bluetooth funkcijo, ki lahko brezžično predvaja glasbo iz drugih Bluetooth naprav (kot so pametni telefoni, tablice idr.).

1. Zaporedno pritisčajte na gumb za vir predvajanja, da vstopite v Bluetooth način in na zaslonu bo utripal tekst »BLUE«, kar pomeni, da je naprava pripravljena na povezavo.
2. Omogočite Bluetooth funkcijo na vaši napravi in poiščite razpoložljive naprave (prosimo upoštevajte navodila vaše naprave), nato preverite seznam razpoložljivih naprav. Izberite povezovanje z »BP PS05.2DB« in napis na zaslonu »BLUE« bo prenehal utripati po uspešni povezavi.
3. Izberite in predvajajte glasbo na vaši Bluetooth napravi, zvok pa bo prihajal iz zvočnika.
4. S pritiskom na gumb prejšnji / naslednji lahko med predvajanjem izbirate med zadnjo predvajano skladbo in naslednjo.
5. V Bluetooth načinu so vam na razpolago funkcije predvajanje/pavza, utišanje, EQ, visoki/nizki toni idr. Prosimo upoštevajte navodila opisana v sklopu »Osnovno delovanje«.

Opombe:

- a. Ni zagotovljeno, da se bodo vse Bluetooth naprave uspešno povezale zaradi različnih zasnov in blagovnih znamk.
- b. Optimalna delovna razdalja Bluetootha je znotraj 10 m brez ovir med napravama.
- c. Naprava se lahko poveže in deluje le z eno napravo istočasno.
- d. V primeru dohodnega klica med Bluetooth predvajanjem; se bo glasba začasno ustavila in povrnila v predvajanje po končanem klicu.
- e. Pritisnite gumb za povezavo na daljinskem upravljalniku, da prekinete trenutno Bluetooth povezavo in začnete povezovanje z drugo napravo.

Line in/AUX IN/MP3 link delovanje

Za žično povezavo in predvajanje glasbe iz drugih predvajalnikov ali ojačevalnika, prosimo upoštevajte spodaj opisana navodila.

Z avdio kablom povežite AUX IN priključek na zgornji strani enote, drugi konec kabla pa povežite v linijski izhod ali izhod za slušalke zunanjega predvajalnika MP3, CD, DVD, Mixer idr. avdio vire. Izberite glasbo in jo predvajajte na zunanjem predvajalniku, glasba pa bo prihajala iz izvočnika.

V linijskem načinu predvajanja je glavna kontrola predvajanja na zunanji napravi. Na zvočniku lahko upravljate glasnost, utišate zvok in prilagodite visoke/nizke tone idr.

Karaoke

Naprava je opremljena z 1 brezžičnim mikrofonom in 2 vhodi za žične mikrone, ki omogočajo petje na zabavah. Pred uporabo priloženega brezžičnega mikrofona odprite komoro za baterije, namestite 2 bateriji AA (nista priloženi) skladno z oznakami polarizacije +/-, nato zaprite komoro in vklopite mikrofona. Naprava se samodejno poveže z mikrofonom. Določite ustrezno glasnost mikrofona z obračanjem gumba za glasnost mikrofona na zgornjem panelu. Mikrofona je pripravljen za delovanje. Priključite žični mikrofona (ni priložen) na vtičnico 6,3 mm, vklopite mikrofona in začnite peti.

Nasveti:

- a. Kadar uporabljate mikrofona za karaoke funkcijo, lahko prilagodite visoke/nizke tone in odmev, tako da zasučete ustrezne gumbe.
- b. Če nastavite glasnost/visoke/nizke tone/odmev na visoko vrednost bo iz zvočnika prihajala močan hrup zaradi preobremenitve in popačenja. To ni napaka v delovanju. Da bi se temu izognili prosimo vključite in povišajte te nastavitve postopoma in znižajte oziroma izključite, če iz zvočnika prihaja hrup.
- c. Ta model omogoča nastavitve prednosti mikrofona. Če jo izberete s pomočjo daljinskega upravljalnika, bo glas mikrofona prihajal iz zvočnika prednostno (brez ozadja glasbe); po končanem petju pa se bo samodejno povrnilo predvajanje glasbe.
- d. Istočasno lahko uporabljate karaoke funkcijo in poslušate glasbo; v primeru da želite povišati karaoke glasnost in istočasno znižati glasnost glasbe, lahko ločeno prilagodite glasnosti mikrofona in gumb za glavno kontrolno glasnosti.
- e. Prosimo izključite mikrofona ko ga postavite poleg zvočnika, drugače bo povzročal velik hrup.

Odpravljanje težav:

1. Zvočnik se ne vključi.
 - a. Prosimo preverite če je povezava z napajanjem pravilno vzpostavljena.
2. Ni izhoda zvoka.
 - a. Prosimo poizkusite prilagoditi glasnost in preverite vir predvajanja.
 - b. Prosimo kontaktirajte serviserja za pomoč, če težava ostane.
3. Motnje zvoka.
 - a. Prosimo poizkusite prilagoditi in predvajati glasbo pri nižji glasnosti.
 - b. Preverite status nastavitve visokih/nizkih tonov.
4. Hrup ozadja FM postaje.
 - a. Za boljši sprejem poizkusite pomakniti enoto na drugo mesto.
 - b. Poiščite in zamenjajte postajo.

Specifikacije:

Napajanje: AC 110-240, 50/60 Hz.

FM frekvenca: 87.5-108.0 MHz.

USB vrednosti: 5V, 500 mA, 2.0 verzija, podpira do 32 GB pomnilnika.

Bluetooth: V 2.1+EDR, znotraj 10 metrov.

RMS izhodna moč: 2 x 30W.

Visoki & nizki toni: -9dB~+9dB.

Mikrofona: 2x6.3mm vhod, povezava za žični mikrofona, 1 x brezžični mikrofona

Akumulator: 12V / 4000mAh; čas polnjenja: 3 ~ 4 ure; čas predvajanja: 2 ~ 3 ure.

Poraba: 80W

Poraba v stanju pripravljenosti: <0.5W

(Te specifikacije se lahko spremenijo brez predhodnega opozorila)

Svarīgas drošības instrukcijas



Brīdinājums:

Lai samazinātu elektrošoka risku, nedrīkst demontēt ierīces vāku un tās aizmugurējo daļu. Ierīces iekšā nav elementu, ko lietotājs var patstāvīgi remontēt. Ierīces tehnisko apkopi un remontu var veikt tikai kvalificēti servisa centra darbinieki.

Grafisko simbolu paskaidrojums:



Zibens simbols ar bultīņu galā vienādmalu trijstūrī brīdina lietotāju par neizolētu "bīstamu spriegumu" ierīces korpusa iekšā, kas var sasniegt līmeni, radot elektrošoka risku.



Izsaukuma zīme vienādmalu trijstūrī brīdina lietotāju, ka šajā brīdī tiek sniegta svarīga informācija par ierīces lietošanu un tehnisko apkopi, kas ietverta ierīcei pievienotajā dokumentācijā.

Izlasiet šo instrukciju pirms ierīces lietošanas sākšanas, lai iepazītos ar ierīces funkcijām un izmantotu tās atbilstoši paredzētajam mērķim. Tas nodrošinās ilglaicīgu un nevainojamu ierīces darbību un patikamu lietošanu.

Svarīga informācija

- Saglabājiet lietošanas instrukciju un informāciju par drošību turpmākai izmantošanai.
- Nepieļaujiet šķidruma pilēšanu vai izliešanu uz ierīces. Ierīci nedrīkst arī lietot mitrās vietās, piemēram, vannas istabā.
- Šo ierīci nedrīkst uzstādīt šādās vietās:
- vietās, kas pakļautas tiešai saules staru iedarbībai, vai radiatoru tuvumā;
- novietojot to uz cita stereoaprikojuma, kas rada siltumu;
- bloķējot ventilāciju vai putekljainā vietā;
- vietās, kas pakļautas nepārtrauktām vibrācijām;
- vietās ar augstu mitruma līmeni.
- Ierīci nedrīkst uzstādīt sveču vai atklātas uguns tuvumā.
- Ierīci var lietot tikai šajā instrukcijā aprakstītajā veidā.
- Pirms ierīces pirmās ieslēgšanas reizes pārliecinieties, ka barošanas bloks ir pareizi pievienots.
- Pievienojiet USB atmiņu tiešā veidā vai izmantojot 25 cm garu USB pagarinātāju.

Drošības apsverumu nedrīkst demontēt korpusus un iekļūt ierīces iekšpusē. Ierīces remonts jāveic kvalificētam servisa centra personālam.

Neizjauciet ierīci un neatveriet tās korpusu, jo tas iekšā nav nekādu elementu, ko lietotājs var remontēt patstāvīgi. Ierīces tehnisko apkopi un remontu var veikt tikai kvalificēti servisa centra darbinieki.

DROŠĪBAS INSTRUKCIJAS

- 1. Izlasiet instrukcijas** — pirms ierīces lietošanas sākšanas izlasiet visu lietošanas instrukciju un informāciju par drošību.
- 2. Saglabājiet instrukcijas** — saglabājiet lietošanas instrukcijas turpmākai izmantošanai.
- 3. Ievērojiet brīdinājumus** — ievērojiet visus brīdinājumus, kas sniegti uz ierīces, un lietošanas instrukcijas.
- 4. Ievērojiet instrukciju** — ievērojiet lietošanas instrukciju un norādījumus lietotājam.
- 5. Uzstādīšana** — uzstādiet ierīci atbilstoši ražotāja instrukcijām.
- 6. Barošanas avoti** — ierīcei ir jābūt barotai tikai no avotiem ar parametriem, kas norādīti marķējumā uz barošanas kabeļa. Ja lietotājs nav pārliecināts, kāda veida barošanas avots ir viņa mājās, viņam ir jāsazinās ar ierīces pārdevēju vai vietējo elektroenerģijas piegādātāju.
- 7. Barošanas avota izemēšana vai polarizācija** — ierīcei nav jābūt izemētai. Pārliecinieties, ka kontaktdakša ir pilnībā ievietota elektrotīkla kontaktligzdā vai pagarinātājā, lai nepieļautu kontakttapu vai kontaktu atklāšanu. Dažas ierīces versijas var būt aprīkotas ar polarizētu mainstrāvas kontaktdakšu (ar vienu platāku kontakttapu). Šo kontaktdakšu var pievienot elektrotīkla kontaktligzdai tikai vienā veidā. Tā ir aizsardzības funkcija. Ja kontaktdakšu nav iespējams ievietot kontaktligzdā, mēģiniet to apgriezti otrādi. Ja kontaktdakša joprojām neatbilst kontaktligzdai, uzdodiet tās nomainīt elektrīķim. Nenovietojiet aizsargus no polarizētās kontaktdakšas. Izmantojot pagarinātāju vai citu barošanas vadu, kas neietilpst ierīces komplektā, tiem ir jābūt atbilstošām kontaktdakšām un drošības sertifikātam, kas nepieciešams noteiktā valstī.
- 8. Barošanas kabeļa aizsargs** — novietojiet barošanas kabeļus tā, lai nebūtu iespējams staigāt pa tiem, saspiest vai sagriezt tos ar citiem priekšmetiem. Pievērsiet īpašu uzmanību kontaktdakšām, elektrotīkla kontaktligzdām un vietām, kur kabeļi tiek izvadīti no ierīces.
- 9. Pārslodze** — nepārslogojiet sienas kontaktligzdas, pagarinātājus un elektriskos sadalītājus, jo tas var izraisīt ugunsgrēku vai elektrošoku.
- 10. Ventilācija** — ierīcei jābūt atbilstoši vēdinātai. Ierīci nedrīkst uzstādīt uz gultas, dīvāna vai līdzīgām virsmām. Ierīci nedrīkst aizseg ar galdautiem, salvetēm, avīzēm utt.
- 11. Siltums** — neuzstādiet ierīci siltuma avotu, piemēram, radiatoru, sildītāju, krāšņu vai citu ierīču (tostarp pastiprinātāju), kas rada siltumu, tuvumā. Neuzstādiet aizdegta sveces un citus atklātas uguns avotus uz ierīces.
- 12. Ūdens un mitrums** — lai samazinātu ugunsgrēka vai elektrošoka risku, nepakļaujiet ierīci tiešai lietus, ūdens un mitruma iedarbībai, piemēram, pirti vai vannas istabā. Nelietojiet šo ierīci ūdens tuvumā, piemēram, vannas, izlietnes, virtuves izlietnes vai veļas tvera tuvumā, mitrā pagrabā vai pelnbāseina tuvumā (vai līdzīgās vietās).
- 13. Priekšmeti un šķidrums ierīcē** — neievietojiet nekādus priekšmetus cauri ierīces atverēm, jo tie var saskarties ar vietām zem bīstamā sprieguma un detaļām, kas var izraisīt ugunsgrēku vai elektrošoku. Nekādā gadījumā nedrīkst izliet nekādus šķidrumus uz ierīces virsmas. Uz ierīces augšpusē nedrīkst novietot priekšmetus, kas satur šķidrumus.

14. Tīrīšana — pirms ierīces tīrīšanas vienmēr atvienojiet to no elektrotīkla kontaktligzdas. Putekļus ap skaļruni var ņemt ar sausu lupatīni. Ja tīrīšanai ir jāizmanto aerosols, nevērsiet izsmidzināmo strūklu tieši pret ierīci, bet gan uz lupatīni. Pievērsiet uzmanību tam, lai nesabojātu piedziņas vienības.

15. Papildaprīkojums — nedrīkst lietot piederumus, ko ražotājs nav apstiprinājis, jo tie var radīt risku.

16. Piederumi — ierīci nedrīkst uzstādīt uz nestabiliem ratiņiem, statīva, balsta vai galdā. Ierīce var apgāzties, sabojāties un radīt nopietnas traumas bērnam vai pieaugušajam. Izmantojiet tikai ratiņus, statīvus, balstus un galdus, ko norādījis ražotājs vai kas tiek pārdoti kopā ar ierīci. Ierīces salikšana ir jāveic atbilstoši ražotāja instrukcijām, izmantojot ražotāja ieteikto montāžas komplektu.

17. Ierīces pārvietošana — pārvietojiet ierīci, kas novietota uz ratiņiem, ļoti piesardzīgi. Pēkšņa apstāšanās, pārmērīgs spēks vai nelīdzsvarotība var izraisīt ratiņu ar ierīces apgāšanos.

18. Ierīces nelietošanas laiks — atvienojiet barošanas kabeli no elektrotīkla kontaktligzdas pērkona negaisa laikā vai ja ierīce netiks lietota ilgāku laiku.

19. Tehniskā apkope un remonts — nemēģiniet patstāvīgi veikt ierīces apskati. Vāka atvēršana var izraisīt saskari ar bīstamu spriegumu un citā veidā apdraudēt lietotāju. Ierīces tehnisko apkopi un remontu var veikt tikai kvalificēti servisa centra darbinieki.

20. Ja ierīce netiek lietota, atvienojiet tās kontaktakšus no elektrotīkla kontaktligzdas. Ja ierīce ir pievienota barošanas avotam, tā ir gaidstāves režīmā un nav pilnīgi izslēgta.

21. Rezerves daļas — nomainiet ierīces daļas pret jaunām, pārliecinieties, ka servisa centra darbinieks ir izmantojis ražotāja ieteiktās rezerves daļas vai ka tās ir identiskas oriģinālajām daļām. Daļas nomaņas veikšana, izmantojot neapstiprinātas daļas, var izraisīt ugunsgrēku, elektrošoku vai citus riskus.

22. Galvenie drošinātāji — lai nodrošinātu nepārtrauktu ierīces aizsardzību pret uguni, izmantojiet drošinātājus ar atbilstošu tipu un parametriem. Drošinātāju parametri noteiktā sprieguma diapazonā ir norādīti uz ierīces.

23. Nepaaugstiniet skaļumu, klausoties dziesmas fragmentu ar zemu skaļumu vai ja nav ieejas audio signāla. Pretējā gadījumā signāla intensitātes straujā paaugstināšanās var izraisīt skaļruņa bojājumu.

24. Vienīgais veids, kā pilnībā atvienot ierīci no barošanas avota, ir atvienot barošanas kabeli no barošanas kontaktligzdas vai ierīces. Elektrotīkla kontaktligzdai vai barošanas kabeļa ieejai ierīcē ir vienmēr jābūt pieejamām ierīces lietošanas laikā.

25. Ierīce ir jānovieto elektrotīkla kontaktligzdas vai pagarinātāja tuvumā tā, lai tie vienmēr būtu pieejami.

26. Maksimālā temperatūra ierīces apkārtņē ir 35 °C.

27. Norādījumi par elektrostātiskajām izlādēm — ja ierīces darbību traucē elektrostātiskās izlādes, izslēdziet ierīci un atkārtoti ieslēdziet to vai pārvietojiet ierīci citā vietā.

28. Baterija

a. Baterijas nedrīkst pakļaut pārmērīga siltuma, piemēram, saules staru, uguns un tml. iedarbībai.

b. Utilizējot baterijas, pievērsiet uzmanību apkārtējās vides aizsardzības aspektiem.

c. Bīdīnājus par bateriju lietošanu: lai novērstu baterijas noplūdi, kas var izraisīt traumas vai ierīces bojājumus:

- ievietojot bateriju, ņemiet vērā tā polaritāti (+ un -);
- nedrīkst vienlaicīgi lietot dažāda veida baterijas — vecās un jaunās, standart un sārma baterijas utt.;
- izņemiet baterijas no ierīces, kad tā netiek lietota ilgāku laiku.

Piezīmes par ERP2 (ar enerģiju saistītām iekārtām)

Ši ekodizaina ierīce atbilst Komisijas Regulas (EK) Nr. 1275/2008, ar ko īsteno Eiropas Parlamenta un Padomes Direktīvu 2005/32/EK iestrādātās ekodizaina prasības attiecībā uz elektrisko, elektronisko mājaisaiņniecības un biroja iekārtu elektroenerģijas patēriņu gatavības un izslēgtā režīmā, 2. posma prasībām.

Pēc 30 minūtēm bez ieejas audio signāla ierīce automātiski pāriet gaidstāves režīmā. Informāciju par normālas darbības atjaunošanu var atrast lietošanas instrukcijā.

Svarīga informācija

Šī ierīce ir aprīkota ar enerģijas taupīšanas režīma funkciju: ja 15 minūšu laikā tai netiek nosūtīts ieejas signāls, ierīce automātiski pāriet gaidstāves režīmā, lai taupītu enerģiju (ERP 2 standarts). Ņemiet vērā, ka zema skaļuma līmeņa iestāšana audio signāla avotā var tikt atzīta par stāvokli "nav audio signāla": tas var ietekmēt ierīces spēju uztvert signālu no ierīces un izraisīt automātisku pāreju gaidstāves režīmā. Šādā gadījumā ir jāatjauno audio signāla avotā vai jāpaaugstina skaļuma līmenis audio signāla avotā (MP3 atskaņotājā u. tml.), lai atsāktu atskaņošanu. Ja problēma joprojām pastāv, sazinieties ar vietējo servisa centru.

BRĪDINĀJUMS Ierīci nedrīkst lietot personas (tostarp bērni) ar samazinātām fiziskām, maņu vai garīgām spējām un personas ar nepietiekamām zināšanām un pieredzi, ja vien viņas neatrodas personas, kas atbilst par viņu drošību, uzraudzību un nav apmācītas, kā droši lietot ierīci. Pieaugušo klātbūtnē ir nepieciešama, ja ierīci lieto bērni, lai nodrošinātu drošu ierīces lietošanu.

1. Neatstājiet ierīci darbības laikā bez uzraudzības! Izslēdziet ierīci, ja tā netiek lietota, pat īsu brīdi.

2. Ierīci nedrīkst apkalpot, izmantojot ārējo taimerī vai atsevišķu sistēmu ar tālvadību.

3. Lai izvairītos no riska, kas rodas barošanas kabeļa bojājuma gadījumā, tās nomaīņa ir jāveic ražotājam, pilnvarotam servisa centram vai citai personai ar atbilstošu kvalifikāciju.

4. Pirms ierīces lietošanas sākšanas pārliecinieties, ka tās spriegums atbilst spriegumam vietējā barošanas tīklā.

5. Neaizsedziet ierīces ventilācijas atveres, piemēram, ar avīzēm, galdautu, aizkariem u. tml. Pārliecinieties, ka virs ierīces ir vismaz 20 cm brīvas vietas un vismaz 5 cm katrā tās pusē.

6. Nepieļaujiet šķidruma pilēšanu vai izliešanu uz ierīces un nenovietojiet uz tās priekšmetus, kas piepildīti ar šķidrumiem, piemēram, vāzes.

7. Lai izvairītos no ugunsgrēka vai elektrošoka, aizsargājiet ierīci no karstām vietām, lietus, mitruma un putekļu iedarbības.

8. Novietojiet ierīci nekādā ūdens avotā, piemēram, krānu, vannu, veļas mazgājamo mašīnu vai peldbaseinu tuvumā.

Uzstādiet ierīci uz līdzsvarot un stabilas pamatnes.

9. Nepakļaujiet ierīci spēcīgam magnētiskā lauka iedarbībai.

10. Nenovietojiet ierīci tieši uz pastiprinātāja vai resivera.
11. Nenovietojiet ierīci mitrā vietā, jo mitrums negatīvi ietekmē elektriskās detaļas.
12. Pēc ierīces pārvietošanas no aukstas siltā vietā vai mitrā vietā mitrums var kondensēties uz atskaņotāja lēcas. Šādā gadījumā ierīce nedarbosies pareizi. Atstājiet ierīci ieslēgtu uz aptuveni vienu stundu, lai mitrums iztvaikotu.
13. Ierīci nedrīkst tīrīt ar ķīmiskiem šķīdinātājiem, jo tie var sabojāt korpusa lakas pārklājumu. Noslaukiet ierīci ar tīru, sausu vai nedaudz samitrinātu lupatiņu.
14. Izvelkot kontaktdakšu no sienas kontaktligzdas, vienmēr velciet aiz kontaktdakšas, nevis aiz barošanas kabeļa.
15. Ja ieslēgtā ierīce tiek lietota ieslēgta televizora tuvumā, tas var radīt attēla traucējumus liniju uz ekrāna veidā. Tas ir atkarīgs no TV pārraides viļņu joslas. Tas nenozīmē, ka ierīce vai televizors darbojas nepareizi. Ja ir redzamas šādas linijas, attāliniet ierīci no televizora.
16. Elektrotīkla kontaktdakša ir paredzēta atvienošanai no barošanas sprieguma, un tai ir vienmēr jābūt pieejamai.
17. Lai izvairītos no iespējamās dzirdes zaudēšanas, neklausieties mūziku skaļi pārāk ilgi.



PIEZĪME
Deklarācija



Ar šo uzņēmums Blaupunkt Competence Center 2N-Everpol Sp. z o.o. apliecina, ka šī ierīce atbilst Direktīvas 2014/53/ES prasībām un citiem attiecīgajiem noteikumiem. Pilnu atbilstības deklarāciju var iegūt produkta cilnē timeklajā vietnē www.blaupunkt.com.

Reģistrācijas apliecības īpašnieks: 2N-Everpol Sp. z o.o., Puławska 403A, 02-801 Warszawa, Polija, tālrunis: +48 22 688 08 00, e-pasts: info@everpol.pl



Produkts ir izgatavots no augstas kvalitātes materiāliem un sastāvdaļām, ko var nodot otrreizējai pārstrādei un izmantot atkārtoti.



Ja uz ierīces ir pārsvitrotas atkritumu tvertnes zīme, tas nozīmē, ka produktam piemēro Eiropas direktīvas 2012/19/ES prasības. Iepazīstieties ar prasībām par vietējo elektrisko un elektronisko iekārtu atkritumu savākšanas sistēmu. Rīkojieties atbilstoši vietējo tiesību aktu noteikumiem. Šo produktu nedrīkst izmest kopā ar parastiem mājāsaimniecības atkritumiem. Vecā produkta pareiza likvidēšana novērš iespējamās negatīvas sekas apkārtējai videi un cilvēku veselībai.



Ierīce ir aprīkota ar baterijām, kurām piemēro Eiropas direktīvu 2006/66/EK. Baterijas nedrīkst izmest kopā ar mājāsaimniecības atkritumiem. Iepazīstieties ar vietējo tiesību aktu noteikumiem par bateriju atsevišķu savākšanu, jo to pareiza izmantošana novērš iespējamās negatīvas sekas apkārtējai videi un cilvēku veselībai.

Informācija par apkārtējās vides aizsardzību

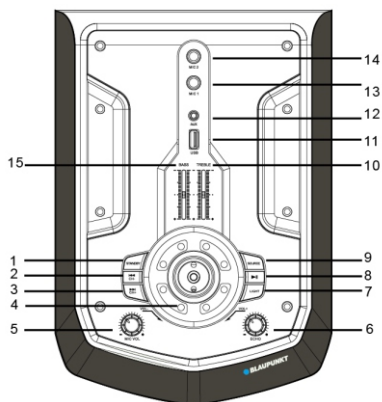
Iepakojums ietver tikai nepieciešamus elementus. Ir izdarīts viss iespējams, lai trīs materiāli, no kuriem izgatavots iepakojums, būtu viegli atdalāmi: kartons (kastīte); polistirola putas (iekšējie aizsargelementi) un polietilēns (maisiņi, aizsargplēve). Ierīce ir izgatavota no materiāliem, ko var nodot otrreizējai pārstrādei un izmantot atkārtoti pēc to demontāžas specializētā uzņēmumā. Ievērojiet vietējo tiesību aktu noteikumus par iepakojuma materiālu, nolietoto bateriju un nevajadzīgu ierīču izmantošanu. Materiālu ierakstīšanai un atkaņošanai var būt nepieciešama atļaujas iegūšana. Skatīt likumu par autortiesībām un izpildītāju/mākslinieku tiesībām.



Preču zīmju un logotipa Bluetooth® īpašnieks ir uzņēmums Bluetooth SIG, Inc. USA. Šo preču zīmju un logotipu izmantošanai ir vajadzīga licence. Citas preču zīmes un tirdzniecības nosaukumi pieder to attiecīgajiem īpašniekiem.

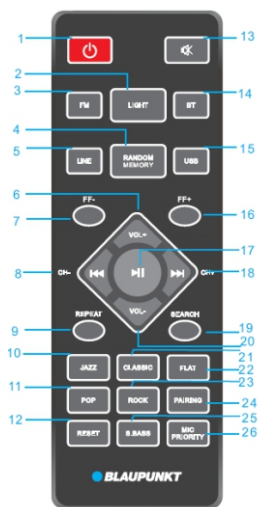
Paldies, ka iegādājāties mūsu ierīci. Pirms darbības uzsākšanas uzmanīgi izlasiet un iepazīstieties ar šo instrukciju. Lūdzu, saglabājiet šo instrukciju turpmākai izmantošanai.

Vadības panelis



- 1 – Gatavības režīma poga (ieslēgšana/izslēgšana);
- 2,3 – Iepriekšējais/nākamais/kanāls - / kanāls +;
- 4 – Skaļuma regulēšana;
- 5 – Mikrofona skaļuma regulēšanas selektors;
- 6 – Mikrofona atbalss regulēšanas selektors;
- 7 – Disco apgaismojums
- 8 – Atskaņošana/pauze;
- 9 – Avots;
- 10, 15 – Zemo un augsto toņu regulēšana;
- 11 – USB pieslēgvietā;
- 12 – AUX IN pieslēgvietā;
- 13, 14 – Mikrofona ieeja 1 un 2;

Tālvadības pults



- 1 – Barošanas poga;
- 2 – Disco apgaismojuma ieslēgšanas/izslēgšanas poga;
- 3, 5, 14, 15 – FM/LINE IN/Bluetooth/USB poga;
- 4 – Nejaušas atskaņošanas ieslēgšanas/izslēgšanas poga/iegaumēšanas poga;
- 6, 20 – Skaļums +/-;
- 7, 16 – Ātrās ritināšanas poga FF +/-;
- 8, 18 – Iepriekšējais un nākamais, poga Kanāls +/-;
- 9 – Atkārtošana poga (atkārtot vienu ierakstu/atkārtot visu/izslēgt);
- 10, 11, 21, 22, 23 – EQ balansiera režīmi (džeza/pops/klasika/plakanais/roks)
- 12 – Atestatīšanas poga;
- 13 – Skaņa izslēgšanas poga;
- 17 – Atskaņošana/pauze;
- 19 – Meklēšanas poga;
- 24 – Savienošanas pāri poga;
- 25 – Super Bass poga;
- 26 – Mikrofona prioritātes poga;

Barošanas pieslēgšana

Pārbaudiet, vai barošanas avots atbilst nominālā sprieguma specifikācijai, kas ir uz ierīces aizmugurējā paneļa. Ja tas neatbilst, sazinieties ar savu pārdevēju vai servisa centru.

Ievietojiet strāvas kabeļa sevišķo kontaktakšu ierīces kontaktlīdzdā un pēc tam pievienojiet strāvas kabeļa kontaktakšu kontaktlīdzdā, lai iegūtu barošanas avotu. Ieslēdziet ierīci, izmantojot slēdzi, kas atrodas aizmugurējā panelī. Nospiediet barošanas pogu uz augšējā paneļa vai tālvadības pultī, lai ieslēgtu displeja ekrānu, kas nozīmē, ka barošanas savienojums ir veiksmīgs un var sākt turpmāku darbību.

Barošanas izmantot bateriju un uzlāde: Ierīcei ir iebūvēts uzlādējams akumulators (12 V/4000 mAh), kas ļauj atskaņot mūziku, nepievienojot maiņstrāvas barošanas avotu. Akumulators tiks uzlādēts, kad būs pieejama barošana ar maiņstrāvu; sarkanā gaismas diode uz aizmugurējā paneļa degs uzlādes laikā un mirgos zilā krāsā, kad akumulators būs pilnībā uzlādēts; kad LED indikators kļūst dzeltens zema akumulatora uzlādes līmeņa dēļ, pievienojiet ierīci uzlādei. Skaļrunis automātiski izslēgsies, kad akumulators izlādēšies.

23 stundu akumulatora darbības laiks, kas iegūts ar šādiem iestatījumiem:

Avots: Bluetooth

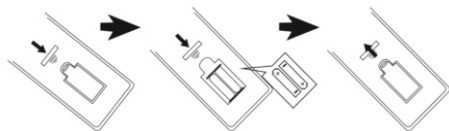
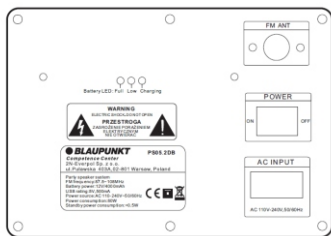
Skaļuma līmenis: 10

Apgaismojums: Izslēgts:

Ekvalaizera režīms: Ekvalaizeris: plakans,

Bass & Treble iestatījumi: 0

Super bass: vidējais līmenis.



Tālvadības pults bateriju uzstādīšana

Atveriet bateriju nodalījuma vāku un ievietojiet 2 AAA baterijas; Pārliecinieties, vai bateriju izvietoējums atbilst nodalījumā uzdrūkātājiem pozitīvās un negatīvās polaritātes simboliem. Pēc tam aizveriet baterijas vāku.

Piezīmes:

- Vislabākais tālvadības pults darbības attālums ir 5 metri bez jebkādiem šķēršļiem. Lietojot, pavērsiet tālvadības pults sensoru uz ierices priekšpusi.
- Tālvadības pults jutība kļūs vājāka, kad akumulators izlādējas. Nomainiet izlietotās baterijas ar jaunām.
- Izmēģiniet akumulatoru, ja ierice netiks lietota ilgu laiku.
- Izmēģiniet baterijas videi draudzīgā veidā. Lai to izdarītu, iepazīstieties ar vietējās pašvaldības prasībām.

Vispārējā apkalpošana

- Ieslēgšana/izslēgšana:** nospiediet gatavības pogu uz augšējā paneļa vai barošanas pogu uz tālvadības pults, lai ieslēgtu vai izslēgtu ierici; Atvienojiet kontaktdakšu no kontakttligzdas, lai izslēgtu barošanu.
- Atskaņošanas avota izvēle:** Nospiediet avota atlases pogu uz augšējā paneļa vai nospiediet FM, BT, LINE, USB pogu uz tālvadības pults, lai pārslēgtu atskaņošanas avotu starp FM/Bluetooth/Line in/USB.
- Skaluma regulēšana:** Pagrieziet skaļuma regulēšanas pogu uz augšējā paneļa vai nospiediet VOL +/- pogu uz tālvadības pults, lai palielinātu vai samazinātu skaļuma līmeni.
- Augsto un zemo toņu regulēšana:** Pārvietojiet zemo/augsto toņu slīdni uz augšu vai uz leju, lai pielāgotu izvadītās skaņas tembru.
- Skaņas izslēgšana:** pēc tālvadības pults pogas MUTE nospiešanas skaņa tiks izslēgta; Nospiežot šo pogu vēlreiz, skaņa tiek atjaunota iepriekš iestatītajā līmenī.
- Balansiera iestatījumi:** nospiežot atbilstošo tālvadības pults pogu, var mainīt balansiera režīmu uz Džeza/Klasika/Flat/POPS/ROKS/Super Bass.
- Atskaņošana/Pauze:** nospiediet atskaņošanas/pauzes pogu, lai aizturētu vai atsāktu mūzikas atskaņošanu Bluetooth/USB režīmā.
- Atkārtošana un nejauša atskaņošana:** nospiediet atkārtošanas pogu, lai ieslēgtu atbilstošo mūzikas atkārtošanas režīmu; Nospiediet nejauša atskaņošanas pogu, lai ieslēgtu/izslēgtu nejauša atskaņošanas funkciju USB režīmā.
- Apgaismojums:** vairākas reizes nospiediet apgaismojuma pogu, lai pārslēgtu apgaismojuma režīmu starp astoņiem efektiem vai tos izslēgtu.
- Atiestatīšana:** nospiediet tālvadības pults atiestatīšanas pogu, lai atjaunotu ierices rūpnīcas iestatījumus.

FM radio apkalpošana

Pirms FM radio klausīšanās novietojiet ierici loga tuvumā, lai nodrošinātu labāku FM signāla uztveršanu. Pēc tam pievienojiet komplektācijā iekļauto ārējo antenu FM antenas ligzdai uz aizmugurējā paneļa, lai iegūtu radiofrekvenču uztveršanu.

- Automātiska radiostaciju skenēšana un programmēšana (automātiskais režīms):** isi nospiežot atskaņošanas/pauzes pogu uz augšējā paneļa vai nospiežot meklēšanas pogu uz tālvadības pults, tiek aktivizēts pieejamo radiostaciju automātiskās meklēšanas un saglabāšanas režīms. Kad skenēšana tiks pabeigta, ierice automātiski sāk atskaņot pirmo iepriekš iestatīto staciju. (Maksimālais atbalstīto iepriekš iestatīto staciju skaits: 40)
- Radiostaciju atlase:** radio režīmā nospiediet nākamo/iepriekšējo pogu uz augšējā paneļa vai tālvadības pults, lai atlasītu un atskaņotu iepriekšējo vai nākamo iepriekš iestatīto staciju.
- Radiostaciju programmēšana (manuālais režīms):** nospiediet un dažas sekundes turiet pogu nākamais/iepriekšējais, lai veiktu automātisku skenēšanu, vai isi nospiediet tālvadības pults pogu FF +/-, lai noskaņotu iecienītāko staciju, pēc tam nospiediet atmiņas pogu, lai ieslēgtu manuālās programmēšanas režīmu, pēc tam nospiediet pogu kanāls +/- uz tālvadības pults, lai izvēlētos vajadzīgo stacijas atrašanās vietu, vēlreiz nospiediet atmiņas pogu, lai apstiprinātu un pabeigtu programmēšanu.

USB atskaņošana

Ierici ir USB atskaņošanas funkcija, kas var atšifrēt un atskaņot mūziku no pārnēsājamām USB atmiņām. Pirms atskaņošanas nokopējiet MP3 mūziku un ielīmējiet to pārnēsājama USB atmiņai; Ievietojiet USB zibatmiņu ierīcē, jo USB atskaņošanas režīms ir pieejams tikai tad, ja USB zibatmiņa tika pareizi pievienota. Pēc tam ierice automātiski atklās un atskaņos MP3 mūziku.

Ieraksta izvēle: isi nospiediet pogu iepriekšējais/nākamais, lai izvēlētos iepriekšējo vai nākamo ierakstu; Nospiediet un turiet ritināšanas pogu, lai pārlēktu uz priekšu pašlaik atskaņoto ierakstu, un atlaidiet pogu, lai turpinātu atskaņot ierakstu.

USB režīmā ir pieejamas šādas funkcijas: atskaņošana/pauze, skaņas izslēgšana, atkārtošana, balansieris, augsto/zemo toņu regulēšana utt. Sīkaku informāciju skatiet šīs instrukcijas sadaļā «Vispārējā apkalpošana».

Piezīmes:

- Nav ieteicams pievienot USB atmiņu, izmantojot USB pagarinātājus, jo tas var negatīvi ietekmēt atskaņošanas kvalitāti un radīt troksni vai neregulāru skaņu audio datu zuduma dēļ faila pārsūtīšanas laikā.
- Visu MP3 ierakstu atšifrēšana un atskaņošana nav garantēta.
- Ierīce atbalsta USB atmiņas ar maksimālo ietilpību 32GB
- Dažu USB atmiņu automātiska atskaņošana atkarībā no veida un ražotāja var aizņemt nedaudz ilgāku laiku; Jāņem vērā, ka tas nav darbības traucējums.

Bluetooth darbība

Šim izstrādājumam ir Bluetooth funkcija, kas ļauj atskaņot mūziku bezvadu režīmā no citas Bluetooth ierīces (piemēram, viedtālruna, planšetdatora utt.).

- Dažas reizes nospiediet avota pogu, lai pārietu uz Bluetooth režīmu, displejā parādīsies teksts "BLUE", kas nozīmē, ka ierīce ir gatava savienošanai pāri.
- Ieslēdziet Bluetooth funkciju ārējā ierīcē un atrodiat pieejamo ierīci (iepazīstieties ar ārējās ierīces lietošanas instrukciju), pēc tam sarakstā pārbaudiet pieejamo Bluetooth ierīci. Izvēlieties "BP PS05.2DB", lai izveidotu savienojumu, displejs ar mirgojošu tekstu "BLUE" kļūs stabils pēc veiksmīgas savienošanas pāri.
- Izvēlieties un atskaņojiet mūziku no ārējās ierīces izmantojot Bluetooth, pēc tam skaņa tiek atskaņota no šīs ierīces skaļruņa.
- Nospiediet pogu iepriekšējais/nākamais, lai atlasītu pēdējo un nākamo ierakstu atskaņošanas laikā.
- Bluetooth režīmā var iegūt atskaņošanas/pauzes, skaņas izslēgšanas, skaņas izlīdzināšanas, augsto un zemo toņu nolīdzināšanas funkciju. Sīkāku informāciju skatiet šīs instrukcijas sadaļā «Vispārējā apkalpošana».

Piezīmes:

- Pareizs savienojums ar visām Bluetooth ierīcēm nevar būt garantēts dažādu dizainu un preču zīmju dēļ.
- Bluetooth darbības attālums ir 10 metri bez jebkādiem šķēršļiem.
- Ierīce var vienlaikus savienot pāri un darboties ar vienu Bluetooth ierīci.
- Ja Bluetooth atskaņošanas laikā ir ienākošs zvans, mūzika kādu laiku apstāsies un atsāks atskaņošanu, kad tālruna saruna būs beigusies.
- Nospiediet tālvadības pults savienošanas pāri pogu, lai aizvērtu pašreizējo savienojumu ar Bluetooth ierīci un sāktu savienošanu pāri ar citu ierīci.

Darbība AUX IN režīmā

Lai izveidotu savienojumu un atskaņotu mūziku no cita atskaņotāja vai ierīces, veiciet tālāk norādītu instrukciju: Izmantojot audio kabeli, pievienojiet AUX IN ligzdu uz ierīces augšējā paneļa ar atskaņotāja, piemēram, MP3, CD, DVD atskaņotāja, miksera utt., līnijas izvadi vai austiņu ligzdu. Pēc tam atlasiet un atskaņojiet mūziku ārējā atskaņotājā, un skaņa tiks atskaņota, izmantojot šo ierīci.

AUX-IN režīmā galvenā atskaņošanas vadība notiek ar ārējo atskaņotāju. Šajā ierīcē varat kontrolēt skaļumu, izslēgt skaņu un regulēt basu un soprānu līmeni.

Karaoke

Ierīce ietver 1 bezvadu mikrofonu un 2 vadu mikroфона ieejas, kas ļauj dziedāt dziesmas mūzikas pasākuma laikā. Pirms komplektā iekļautā bezvadu mikroфона izmantošanas atveriet bateriju nodalījumu, ievietojiet 2 AA baterijas (nav iekļautas komplektā) ņemot vērā +/- polaritātes simbolu, pēc tam aizveriet nodalījumu un ieslēdziet mikrofonu. Ierīce automātiski savienojas pāri ar mikrofonu. Noregulējiet mikroфона skaļumu vēlamajā līmenī, pagriežot mikroфона skaļuma selektoru uz augšējā paneļa. Mikrofons ir gatavs lietošanai.

Pievienojiet vadu mikrofonu (nav iekļauts komplektā) 6,5 cm ligzdai, ieslēdziet mikrofonu un pēc tam sāciet dziedāt.

Padomi:

- Ja izmantojat mikrofonu karaoke funkcijai, varat izmantot atbilstošās pogas, lai noregulētu augsto toņu/basu/atbalss iestatījumu.
- Skaļrunis var radīt skaļus trokšņus vai kropļojumus, ja skaļuma, basu un soprānu iestatījumi vai atbalss funkcija ir iestatīta pārāk augstā līmenī. Tas nav darbības traucējums. Pazeminiet iepriekš minēto iestatījumu līmeni un pēc tam ieslēdziet vai izslēdziet mikrofonu.
- Mūsu ierīcei ir mikroфона prioritātes funkcija. Ja izvēliesiet šo funkciju no tālvadības pults, karaoke balsis atskaņota no skaļruņu un tai būs prioritāte (bez mūzikas fona); kad esat pabeidzis dziedāt, mūzika sāks atskaņot automātiski.
- Jūs varat izmantot karaoke funkciju un klausīties mūziku vienlaikus; Ja nepieciešams palielināt karaoke skaļumu un pazemināt mūzikas fona līmeni, varat atsevišķi regulēt mikroфона skaļumu un skaļruņu līmeni, izmantojot atbilstošos selektorus.
- Izslēdziet mikrofonu, ja tas tika novietots blakus skaļrunim, pretējā gadījumā tas radīs daudz trokšņa.

Problēmu novēršana

1. Skaļrunis nevar ieslēgties.

- Pārbaudiet, vai barošanas savienojums ir pareizs.

2. Nav skaņas.

- Mēģiniet noregulēt skaļuma selektoru un pārbaudiet atskaņošanas avotu.
- Ja problēma netika atrisināta, sazinieties ar servisa centru.

3. Skaņas traucējumi.

- Mēģiniet pielāgot un atskaņot mūziku zemākā skaļuma līmenī.
- Pārbaudiet augsto/zemo toņu regulēšanas statusu.

4. Troksnis, klausoties FM stācijā.

- Pārvietojiet ierīci uz citu vietu, lai nodrošinātu labāku uztveršanu.
- Ieslēdziet atkārtotu skenēšanu vai mainiet uz citu stāciju.

Specifikācija

Barošanas avots: AC 110-240 V, 50/60 Hz.

FM frekvence: 87,5-108,0 MHz.

USB savienotāji: 5 V, 500 mA, versija 2.0, atbalstītās lielpjoma atmiņas līdz 32 GB.

Bluetooth: V2.1 + EDR, darbības attālums līdz 10 m

Izejas jauda RMS: 2 x 30 W.

Zemo un augsto toņu regulēšana: -9dB~+9dB.

Mikrofons: ieeja 2 x 6,5 mm, vadu mikrofona savienošana; 1x bezvadu mikrofons

Akumulators: 12 V/4000 mAh; uzlādes laiks: 3~4 stundas; atskaņošanas laiks: 2~3 stundas.

Elektroenerģijas patēriņš: 80 W

Elektroenerģijas patēriņš gatavības režīmā: <0,5 W.

(Iepriekš norādītās specifikācijas var tikt mainītas bez brīdinājuma.)

Competence Center

2N-Everpol Sp. z o.o.
ul. Puławska 403A
02-801 Warsaw, Poland
phone: +48 22 688 08 00
e-mail: info@everpol.pl
www.blaupunkt.com

W przypadku pytań lub problemów
prosimy o kontakt z naszym serwisem.
In case of questions or problems
please contact our service.
Tel. 00 48 22 688 08 00
E-mail: info@blaupunkt-audio.pl

Wszelkie prawa zastrzeżone. Wszystkie nazwy marek są zarejestrowanymi
znakami towarowymi należącymi do odpowiednich podmiotów.
Dane i parametry techniczne mogą ulec zmianie bez wcześniejszego uprzedzenia.

All rights reserved. All brand names are registered trademarks of their
respective owners. Specifications are subject to change without prior notice.

Enjoy it.