

**BLAUPUNKT**

BLAUPUNKT  
est. 1924  
GERMANY

12V/24V  
DIGITAL VIDEO RECORDER  
**BP 7.1** 2-CHANNEL

Full HD  
1080

MADE IN  
KOREA



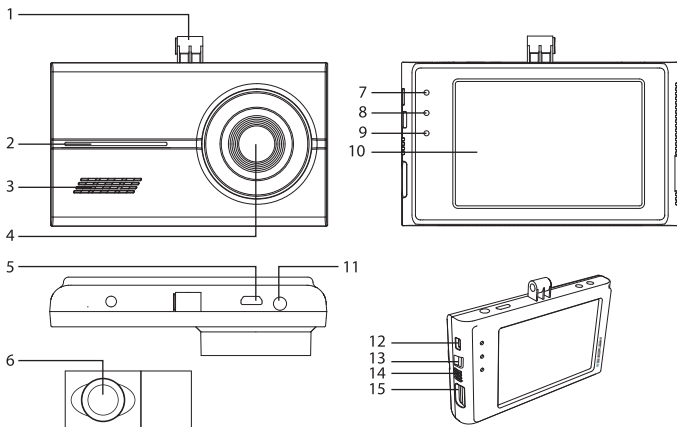
*Enjoy it.*

## CAUTIONS

---

- Please insert the micro SD card in the right direction to avoid damage to the card or the device. If device shows error message, please format the micro SD card from device menu. Please reset device or change micro SD card if similar error continues.  
Note : All files will be deleted when formatting micro SD card or firmware update, please backup the important files prior to that. When reset function is selected, the device will return to default setting.
  - Blaupunkt does not warrant the performance of device if used with other Micro SD card other than Blaupunkt Micro SD card
  - New Micro SD card must be formatted for first use. Micro SD must be formatted once every 6-month.
  - Ensure bracket is installed correctly & firmly on windscreen to avoid damage to device and for better recording angle.
  - Please do not use product under wet environment as device is not waterproofed/ water resistant.
  - Please do not record or take picture facing sunlight.
  - To obtain clear image, please clean windscreen and device lens regularly. Avoid using device in dusty environment.
  - Handle device with care and avoid direct impact on the device. Avoid using device in high electromagnetic environment.
  - Please operate the product within the temperature of -20°C ~ 80°C. Continuous exposure to sunlight, especially when locked in cabin where temperature exceeds 80°C may result to device malfunction, colour change, housing and image distortion.
- Disclaimer :**
- Blaupunkt is not liable for any loss or damage caused or resulting from unauthorized disassembly or modification to the product.
  - In no event shall Blaupunkt be liable for any direct, indirect, punitive, incidental, special consequential damages, to property or life, improper storage, whatsoever arising out of or connected with the use or misuse of our products.
  - USA & CANADA : Products not intended for sales in the United States and Canada. If purchased in the U.S. or Canada, this product is purchased as-is. No warranty, expressed or implied is provided in the U.S. and Canada.
  - This device is NOT intended to be used for illegal purpose, surveillance and shall not be used in any form as evidence for claim purposes.
  - Some countries prohibit drivers from mounting anything on the windshield, or restrict mounting to specific areas of the windshield. It is the owner's responsibility to mount the device in compliance with local laws.
  - Error may occur depending on the surrounding environment and the voltage of the car.
  - Blaupunkt is not liable/responsible for non-recorded event, missing files, etc.
  - If the car battery voltage is lesser than the setting value of cut-off voltage, device will stop recording even at park recording mode.

## STRUCTURE



1. Bracket slot

2. Operation indicator light

- Flashes during normal / park mode
- Off during shock / SOS mode
- Blink during motion / shock detection in park mode

3. Speaker

4. Lens

5. Rear DVR cable input

6. Rear DVR lens

7. GPS indicator light

- Lights up in blue when GPS is connected
- Light off in parking mode

8. PWR (Power) indicator light

- Lights up in green during normal recording mode
- Light off during park mode

9. Event indicator light

- Lights up in red during shock / SOS mode
- Flashes when SD card reading fail
- Light off during park mode

10. Front DVR 3.5" LCD touch screen

11. 12-24V D power supply

12. SOS : Record shock video manually

13. Power On/Off

14. Microphone

15. Micro SD card slot

### Features

- Resolution : Front 5MP FHD 1920 x 1080 30 fps, Rear 5MP HD 1280 x 720 (15fps)
- Wide viewing angle : Front - 120°, Rear - 110°
- Screen display : Front, Rear, PIP (picture in picture)
- 3.5" touch screen LCD display
- Automatic park recording with smart motion / time-lapse (24-hour park monitoring)
- Format-free, G-sensor, loop recording
- Built-in microphone & speaker
- Language : English, Chinese Simplified, Chinese Traditional, Japanese, Korean
- High temperature & low car battery voltage cut-off
- Support up to 64GB Micro SD, class 10 & above
- Offline ADAS

## FUNCTION

---

- **Format-free**  
Engineered with TAT technology, the device is capable to arrange or overwrite saved data according to folders.
- **Low Voltage Cut-off**  
Function only after vehicle ignition is turned off. This function prevents vehicle battery drainage. Adjust at *Environment Settings > Recording Settings > Voltage*.
- **Automatic High Temperature Cut-off**  
Function only after vehicle ignition is turned off. The device will automatically turn off when high temperature is detected.
- **Offline ADAS (Advanced driver-assistance system)**  
It supports LDWS (Lane Departure Warning System) and FVSA (Front Vehicle Start Alert). Adjust at *Environment Settings > ADAS Settings*.
- **Super Capacitor**  
This technology ensure video files are saved even if sudden power cut-off
- **Park Mode (Park Monitoring)**  
Switch between Motion or Time-lapse at *Environment Setting > Recording Settings > Parking Mode*.
  - Smart Motion (12fps)  
This mode will begin operating 30-sec after the vehicle ignition is turned off. Recording begin when impact or motion is detected. Adjust sensivity at *Environment Settings > Recording Settings > Motion Intensity*.
  - Time-lapse (2fps)  
This mode selects 2 frames per second (fps) instead of recording 12fps (Front & Rear DVR). Adjust sensivity at *Environment Settings > Recording Settings > Motion Intensity*.
- **Event Mode**  
The device begins saving recording when the assigned sensitivity intensity is detected. Video file of 10-sec before and after detection will be saved under Event file. Adjust sensitivity in *Environment Settings > Recording Settings > Event Intensity*.
- **SOS (Manual Mode)**  
When SOS button is pressed, video file of 10-sec before and after the press will be saved under Event file.
- **PC Viewer**  
View video playback using BP7.1 PC Viewer. Download PC viewer (Windows only) from [www.blaupunkt.com/ase](http://www.blaupunkt.com/ase)

## FUNCTION

Mode	Category	Function
Live View	Real-time Image	
Video recording View	Continuous Recording	1-min / 62MB
	Event Recording	20-sec / 20MB
	Park Recording	1-min / 62MB or time-lapse
	Manual Recording (SOS)	20-sec / 20MB
Environment Settings	Recording Settings	Event Intensity
		Motion Intensity
		Voltage
		Parking Mode
	ADAS Settings	FVS Notice
		LDWS Notice
		Bonnet Line Settings
	Audio Settings	System Vol.
		Voice
		Effect
		Voice Rec.
ADAS Alarm		
System Settings	Language	English
		Chinese Simplified
		Chinese Traditional
		Japanese
	Time Settings	YYYY/MM/DD
		HH/MM/SS
	LCD Time	ON
		1m
		3m
		5m
	Clock Screen	ON
		OFF
	Touch Calibration	
	Memory Card Format	All data will be deleted. (Ensure important files are saved before formatting)
Information	BP7.1 Version	
Initialize Settings	Reset device to default setting.	

## FUNCTION

### Blaupunkt DVR BP 7.1 PC Viewer

BLAUPUNKT

Front / Rear Map View

Type	Date	Rear
REC	2015.09.25 17:18:56	
REC	2015.09.25 17:17:59	
REC	2015.09.25 17:17:22	
REC	2015.09.25 17:16:25	
REC	2015.09.25 17:15:27	
REC	2015.09.25 17:14:30	
REC	2015.09.25 17:13:33	
REC	2015.09.25 17:12:36	

File Download

Rear View Map View

30:00:00 00:00:00 km/h

Adjust DVR setting

Capture snapshot of recording

PC Viewer will automatically detect micro SD card when its inserted into the computer.

**Note :** Older files will be overwritten when memory card is full and requires new storage space. Files will be overwritten according to file arrangement Continuous / Event / Park / Manual (SOS). Backup recordings regularly to prevent important files from being overwritten.

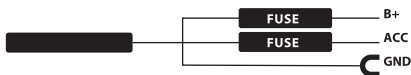
# INSTALLATION

---

## SAFETY NOTE

- Assign mounting location that will not obstruct driver in any circumstances. Or cause injuries to drivers and passengers in case of emergency brake or accident.
- Ensure all wires are connected properly, and that the device is functioning well before installing on the windscreen.
- Any unauthorized installation and modification may cause malfunction to the device and void warranty of product. Always use the parts included with the device only.
- Contact Blaupunkt dealer or vehicle's manufacturer if information provided here does not fit your specific requirement.

## POWER CABLE HARDWIRING



### 1. Use the hardwire power cable

#### 2. BATT (+)

- Connect the wire cable to the permanent power fuse box. (Eg : Hazard light, dome light, tail light etc)

#### 3. Acc (+)

- Connect the wire cable to the fuse that receive power through ignition (Eg : Cig lighter, audio system etc)

#### 4. GND

- Connect the cable to the vehicle chassis or vehicle bolts.

## ACCESSORIES

---

