



Instruction Manual

40" Full HD TV - BP4000F



Enjoy it.

CONTENTS




General Safety	4
Installation	8
Wall Mounting Instructions	9
Controls and Connections	10
Remote Control	12
Getting Started	15
Basic Operations	16
Media	17
Menus	18
Picture Settings	18
Sound Settings	19
Channel Settings	20
Lock Settings	22
Time Settings	23
Setup Settings	24
EPG	25
Recording	26
FAQs	27
Specifications	Last Page
Customer Helpline	Last Page

GENERAL SAFETY

Read this manual thoroughly before you start using the TV.

Store this manual, the completed warranty card, your receipt and the product packaging. The safety precautions instructions reduces the risk of fire, electric shock and injury when correctly complied to.

Please follow all instructions and take notice of all warnings.

 <p>CAUTION RISK OF ELECTRIC SHOCK DO NOT OPEN</p>		<p>The lightning flash with symbol within the triangle is intended to warn you of a non-insulated dangerous voltage in the product's enclosure that could be of sufficient magnitude to generate a risk of electric shock to persons.</p>
<p>The cover (or back) of the unit should not be removed to prevent risk of electric shock.</p> <p>This unit must be serviced by a qualified service personnel only.</p>		<p>The exclamation point within the triangle is intended to warn you to the presence of important operating and maintenance instructions in the documents included with the product.</p>

IMPORTANT INFORMATION

The lightning flash symbol within the triangle is intended to warn you of non-insulated dangerous voltage the product's enclosure that could be of sufficient magnitude to generate a risk of electric shock to persons.

- Using Cabinets or stands recommended by the manufacturer of the television.
- Only using furniture that can safely support the Products.
- Ensure the Product is not overhanging the edge of the supporting furniture.
- Do not place the product on a high furniture without securing both the furniture and the product to a stable support.
- Do not place the product on cloth or other conductive materials.
- Warn children of the dangers of climbing on furniture to reach the television or its controls and to call for an adult to assist.

GENERAL SAFETY (CONT.)

IMPORTANT INFORMATION

- Do not expose this appliance to rain or moisture as it may result in fire or an electric shock hazard
- Do not tamper or change or modify the product in any way.
- Only use Accessories outlined and recommended by the manufacturer.
- Please do not expose the product to splashing or water contact
- Please do not place any object on top of the product including objects filled with liquids such as vases.
- Danger of explosion if battery is incorrectly placed. Replace with same or equivalent type.

Installation

Please follow instruction when installing this product in accordance with the instruction manual. This product must be positioned in a sufficiently stable location, it can be potentially hazardous due to falling and can cause injury, particularly to children if it positioned incorrectly.

- Before installing this TV set, make sure your outlet voltage corresponds to the voltage stated on the product rating label
- Do not use a damaged power cord, plug or loose outlet. Doing so may cause an electric shock.
- Do not plug several devices into the same outlet. Doing so may cause the outlet to overheat and start a fire. Make sure the outlet is readily accessible during operation of the equipment.
- Do not bend, twist or kink the power cord excessively.
- Do not allow anything to rest on or roll over the power cord and antenna cable. Doing so may cause a fire or an electric shock.
- Do not run the power cord near heat-producing appliances such as radiators, stoves or irons. The excessive heat could melt the insulation and expose live wires, resulting in fire or electric shock.
- Unplug this TV during lightning storms or when unused for long periods of time. Not doing so may result in fire or electric shock.
- Do not cover the ventilation openings of the product with items such as newspapers, tablecloths, curtains etc or insert objects into the slots available on the products. As this could result in the product temperature rising and could cause a fire.
- If you notice any unusual odors or smoke around the unit, immediately disconnect the unit from the outlet and contact the service center. Failure to do so may result in fire or electric shock.
- When not using the unit for long periods of time or when you are moving the unit please ensure to disconnect the power cord from the wall socket.

GENERAL SAFETY (CONT.)

- Please beware that Dust could accumulate over time on the unit and cause it to generate heat and or deteriorate insulation, which in turn may result in an electrical fire.
- The product is not intended for use by persons (including children) with reduced physical, sensory or mental capabilities, or young children of any age, They must be supervised product by a person responsible for their safety.
- Batteries from the remote control must be only removed by an adult, the adult must ensure to keep them out of reach of infants and children. Seek medical attention immediately if a child has swallowed a battery.
- Batteries (battery pack or batteries installed) shall not be exposed to excessive heat such as sunshine, fire or the like.
- To maintain the product do not use any chemical or cleaning agent or wet cloth, please only ensure to utilize a dry cloth to wipe it down from marks or dust and only after unplugging the product from the power socket.
- Please ensure to contact our call center for any repair or service required for the products.
- Make sure to always carry TV from the sides, always be sure to have assistance by another person. Do not carry the TV from the middle.

WARNING!

It is STRONGLY RECOMMENDED that you ANCHOR this product.

Toppling furniture and TV's can cause serious injury or death.

TO HELP AVOID ANY SERIOUS OR FATAL INJURY, WE STRONGLY RECOMMEND THAT THIS PRODUCT BE PERMANENTLY FIXED TO THE WALL OR OTHER SUITABLE SURFACE. FIXING DEVICES ARE NOT INCLUDED SINCE DIFFERENT SURFACE MATERIALS REQUIRE DIFFERENT ATTACHMENTS. PLEASE SEEK PROFESSIONAL ADVICE IF YOU ARE IN DOUBT WHAT FIXING DEVICE TO USE.

If a television is not positioned in a sufficiently stable location, it can be potentially hazardous due to falling. Many injuries, particularly to children, can be avoided by taking simple precautions such as:

- Using cabinets or stands recommended by the manufacturer of the television.
- Only using furniture that can safely support the television.
- Ensuring the television is not overhanging the edge of the supporting furniture.
- Not placing the television on tall furniture (for example, cupboards or bookcases) without anchoring both the furniture and the television to a suitable support.
- Not standing the television on cloth or other materials placed between the television and supporting furniture.
- Educating children about the dangers of climbing on furniture to reach the television or its controls.

GENERAL SAFETY (CONT.)

Please make sure upon positioning this product, the place is:

- Not wet or damp and Well ventilated
- Away from direct sunlight or heaters.
- Away from splashes or food.
- Protected from excessive dust or grease.
- Do not install this equipment in a confined space such as a bookcase or similar unit.
- Do not install the TV set near heat sources such as radiators, stoves or other audio visual equipment that produce heat.
- Do not place containers with liquids, if liquid falls inside the products it may result in short-circuit, fire or electric shock.
- Do not place small metallic objects on top of the unit. Metal object falls inside the product it may result in short-circuit, fire or electric shock.
- Do not use or store flammable or combustible materials near the unit. Doing so may result in fire or explosion. Do not place any naked flame sources, such as lit candles, cigarettes or incense sticks on top of the TV set.
- The antenna must be installed away from high-voltage power line,
- Please contact an antenna professional installer to install the antenna to avoid incorrect installation which could result in fire, electric shock or serious injury.
- Install the unit at a reasonable distance from the wall to ensure sufficient ventilation.
- If mains plug or an appliance coupler is used as the disconnect device, the disconnect device shall remain readily operable.



“HDMI, the HDMI logo and High-Definition Multimedia Interface are trademarks or registered trademarks of HDMI Licensing LLC.”

INSTALLATION

Install the stand as described below, or if you want to mount it to a wall, please contact a professional installer.

Please ensure the TV is not plugged into the wall socket and furthermore we recommend to get another person to assist in the following task.

Attaching the stand

Step 1

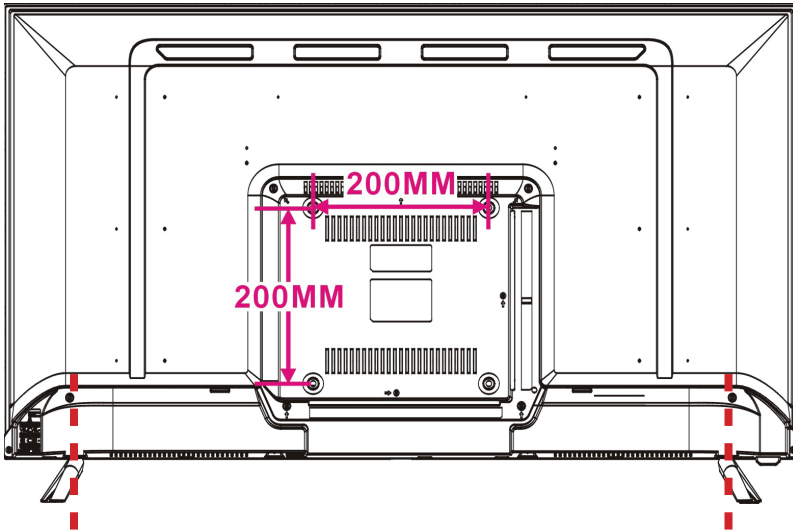
Place a soft cushioned material on top of a flat surface to prevent damaging the screen panel. Then place the TV screen flat on top, with the screen side facing down, as illustrated on the right.

Step 2

Align the stand leg to the installation point, as illustrated below

Step 3

Tighten the screws (supplied) with a screwdriver to affix the stand to the panel, as illustrated on the right.



CAUTION!

Do not apply excessive force as this may damage the screw holes.

INSTALLATION (CONT.)

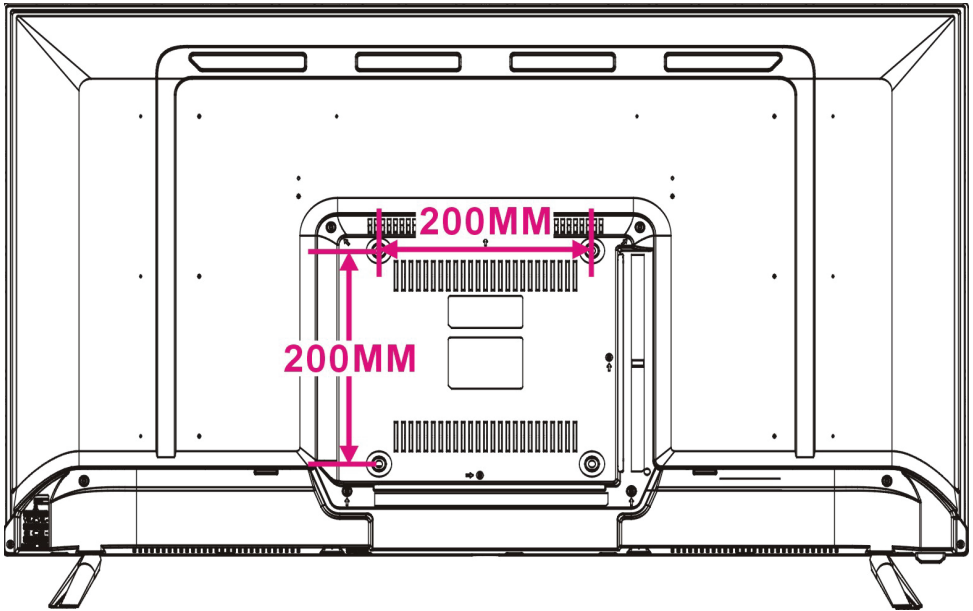
Wall-Mounting Instructions

Please ensure the TV is not plugged into the wall socket and furthermore we recommend to get another person to assist in the following task.

- We recommend you use a professional installer as we assume no liability for any eventual damage to the product or injury to yourself if you mount the TV on your own.

BACK OF TV

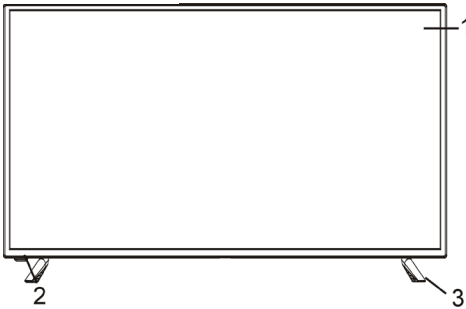
VESA PATTERN: 200 (w) x 200 (h) mm



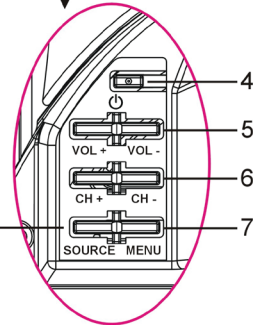
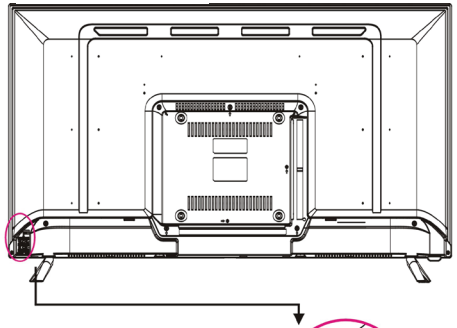
NOTE: If you are wall-mounting the TV, this should be done by a qualified installer.

CONTROLS AND CONNECTIONS

Front View



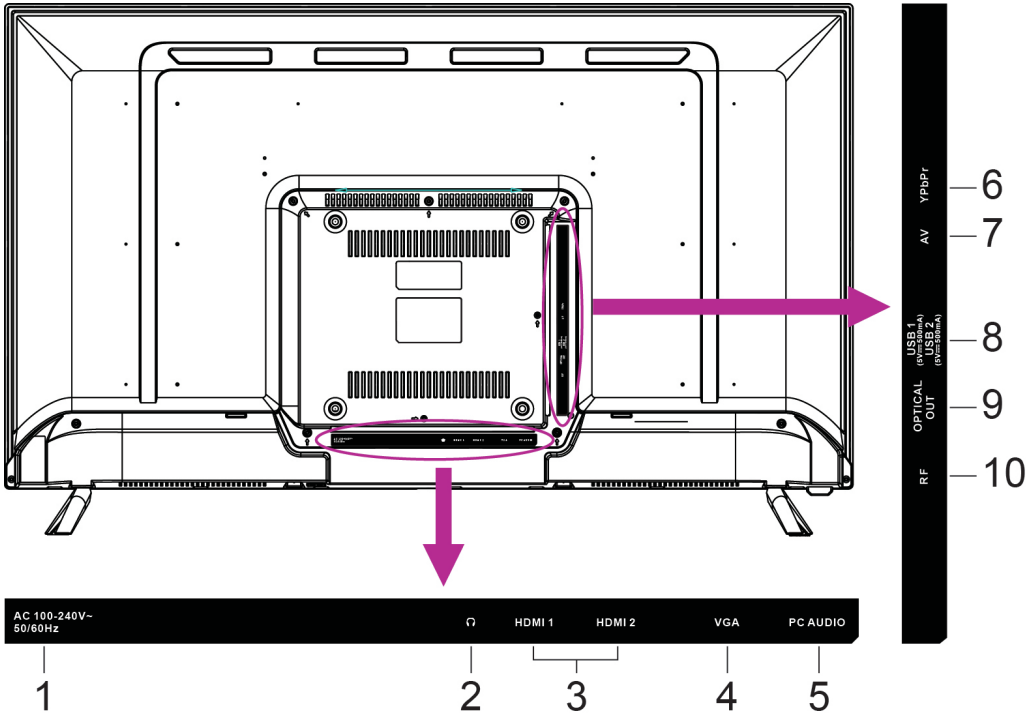
Back View



1. LED display screen
2. Remote control sensor / Power indicator- In standby mode the indicator light will display red color; when switching on the unit the indicator light will display blue color.
3. Stand holder
4. STANDBY button- To turn ON/OFF the TV.
5. VOL +/- button- To increase/decrease the volume level or move left/right.
6. CH +/- button- To select next/previous channel or move up/down.
7. MENU button- To enter menu setting page.
8. SOURCE button- To select the input source.

CONTROLS AND CONNECTIONS

Back View

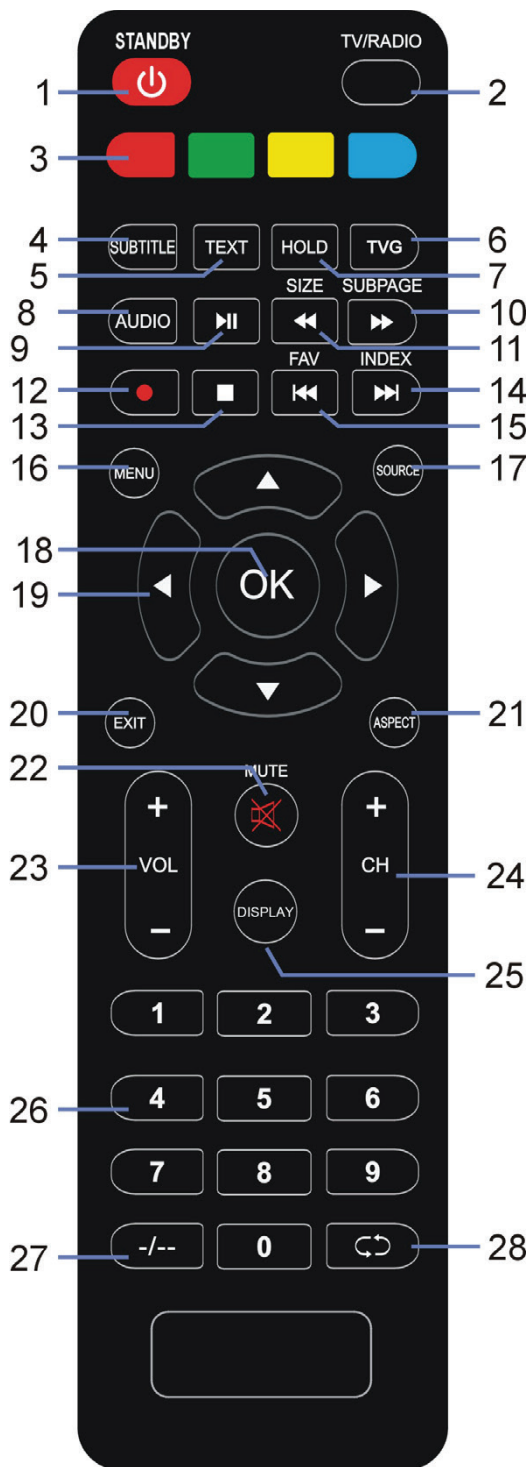


1. POWER INPUT
2. HEADPHONE INPUT
3. HDMI 1 (ARC) / HDMI 2
4. VGA
5. PC AUDIO
6. MINI YPBPR INPUT
7. MINI AV INPUT
8. USB 1 / 2 INPUT
9. OPTICAL OUTPUT
10. RF (ANTENNA)

USB connection

Insert a USB storage device into the USB port to record, playback of video/music/photo

REMOTE CONTROL



REMOTE CONTROL (CONT.)

1 **STANDBY**

Set the unit in standby mode; press it again to switch it on.

2 **TV/RADIO**

Switch the unit between TV and Radio.

3 **RED / GREEN / YELLOW / BLUE button**

The colored buttons are used in submenus.

4 **SUBTITLE**

Enable/disable subtitles.

5 **TEXT**

Display the available Teletext.

6 **TVG**

Display electronic program guide.

7 **HOLD**

Hold the Teletext.

8 **AUDIO**

Switch the available sound-track.

9 **⏮**

Start/pause playing.

10 **SUBPAGE**

Enter Teletext sub-page.



Move fast forward.

11 **SIZE**

Switch Teletext size.



Move fast backward.

12 **● (DTV)**

Start RECORDING when watching available digital programs.

13 **■**

Stop playing.

14 **⏭**

Play the next file.

INDEX

Display the record list or Teletext index.

15 **⏮**

Play the previous file.

FAV

Display the favorite channels list.

16 **MENU**

Call out the main menu or return to previous menu.

17 **SOURCE**

Select desired input source.

18 **OK**

Confirm selection.

19 **▲/▼/◀/▶**

Navigation buttons

20 **EXIT**

Exit the menu page.

21 **ASPECT**

Press it repeatedly to select desired screen size.

22 **MUTE**

Mute the sound.

23 **VOL +/-**

Increase/decrease the volume level.

24 **CH +/-**

Play the next/previous program.

25 **DISPLAY**

Display the available program information.

26 **Number buttons (0-9)**

Input the number information, such as channel number and so on.

27 **-/-**

Switch the digit when watching TV programs.

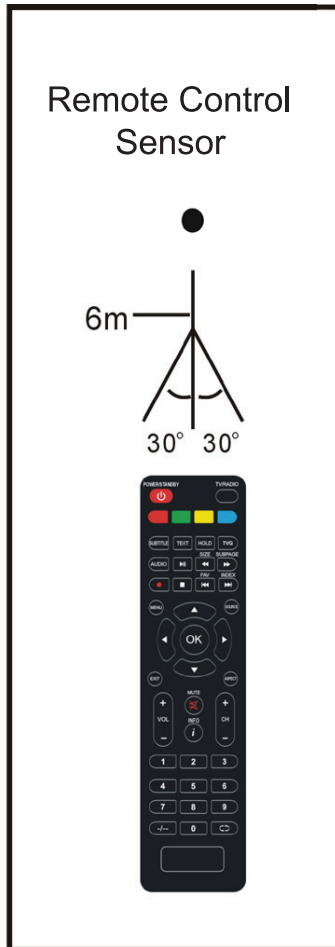
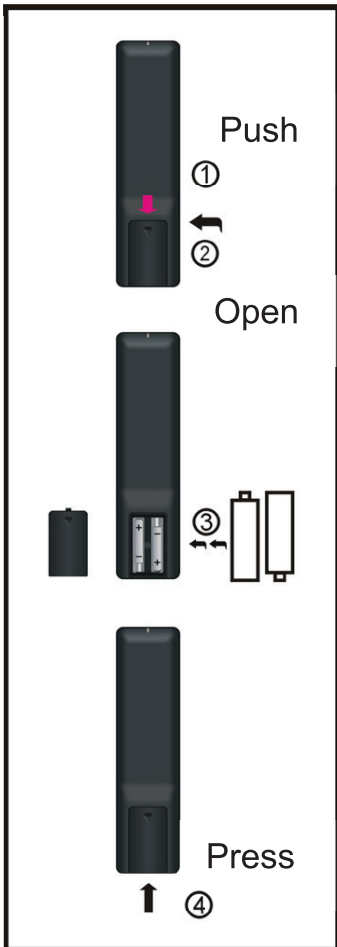
28 **↶**

Return to previous channel.

REMOTE CONTROL (CONT.)

Using the Remote Control

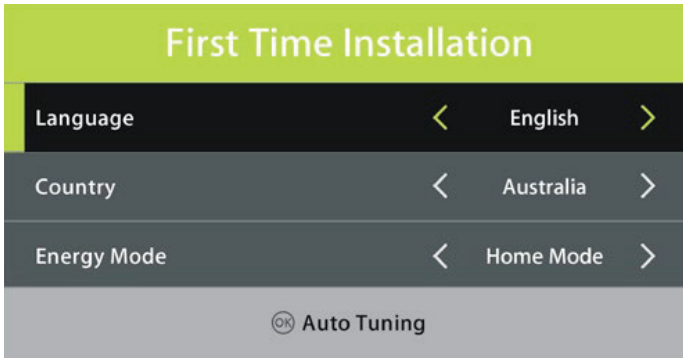
- Battery should normally last for about one year.
- Do not mix old and new batteries in the remote
- Do not use different types of battery
- If you do not intend to use the unit for a long time, please remove batteries from the remote to avoid accident.
- Keep batteries away from children and pets.
- Never throw batteries into a fire.
- Do not drop, or impact the remote control as it void warranty immediately.
- The remote control operate at a range of 5 to 6M effectively
- Do not expose the remote control sensor to a bright light.



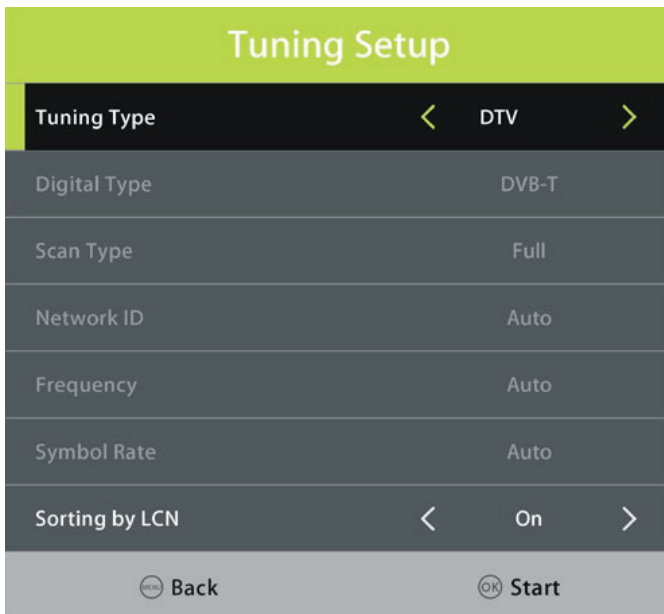
Getting Started

TURN THE POWER ON OR OFF:

- Plug the power cord into a suitable power point,
- Turn on the power switch.
- Press the STANDBY/ON button
- When you switch on the TV for the first time, the First Time Setup menu will be displayed on the screen, as per the image below.



- Press the navigation arrows to highlight the language you want to select and press OK.
- Now you will go to the Tune Type Page, change it to only DTV. (ATV does not work in Australia anymore).



Basic Operations

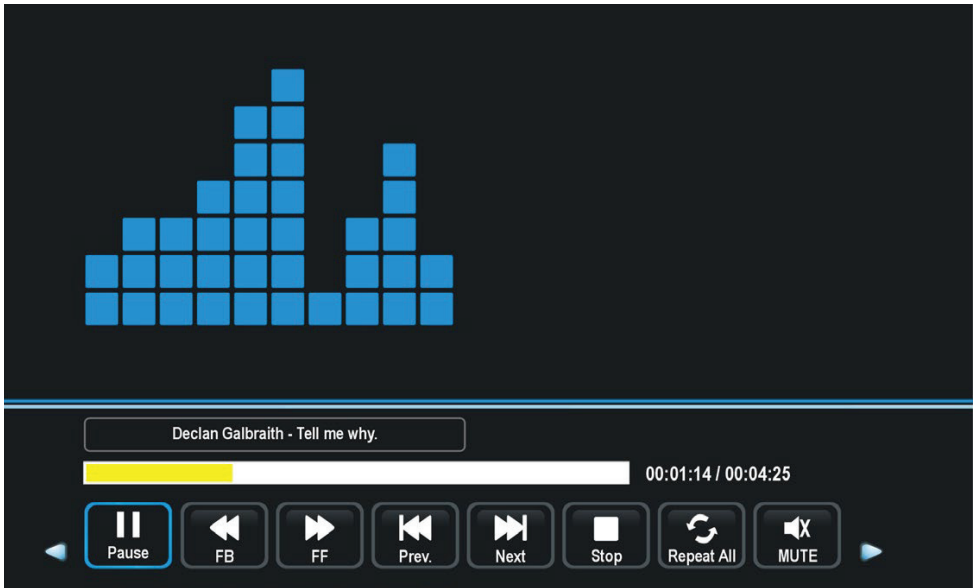
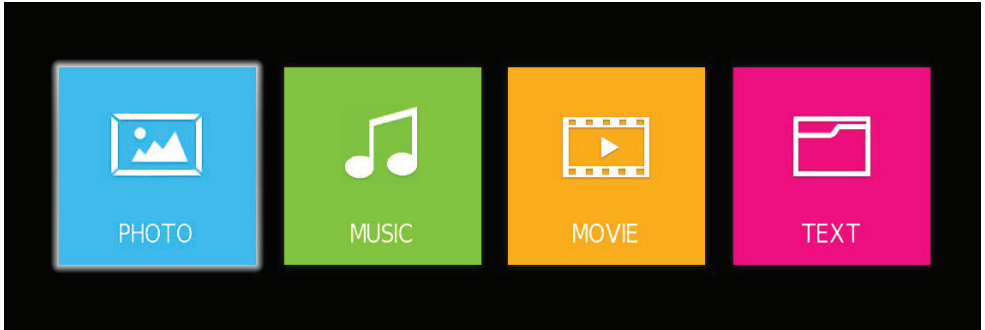
Selecting an Input Source

- Press the **SOURCE** button on the remote control, to display the input source list.
- Press the **▲/▼** buttons to select the input source, and then press **OK** to confirm.
- You can access connected USB drives by selecting USB.
- **NOTE:** The first time you use this TV, make sure to go through the first time installation and auto-search for all the DTV channels.

Media

MEDIA PLAYBACK

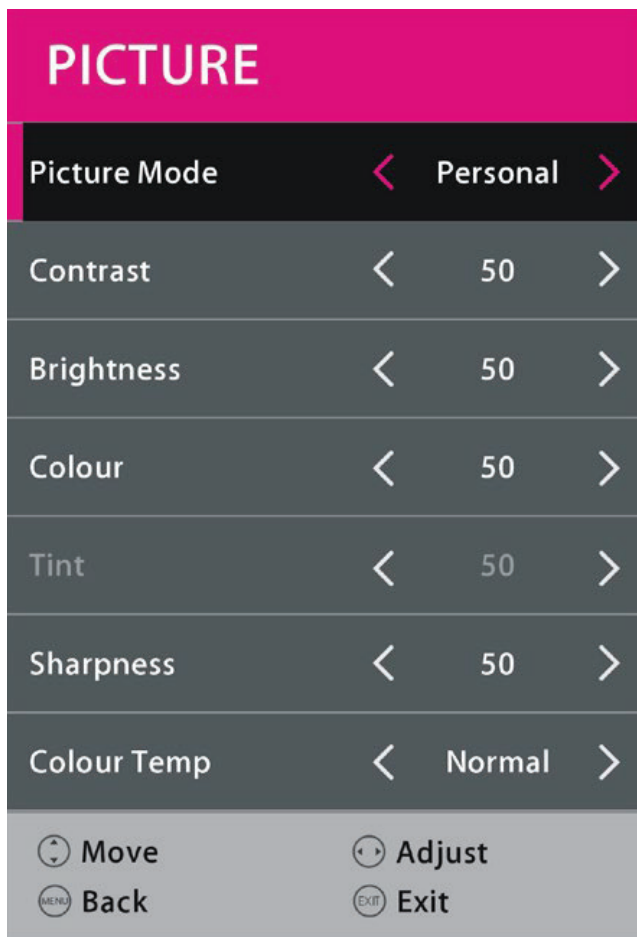
- First insert a USB Device into the TV
- Press “**USB**” on SOURCE Menu.
- Use the directional arrow keys to Select FILE TYPE and then through folders within your USB device to access your file.
- Press the **EXIT** button to return to previous page



Menus

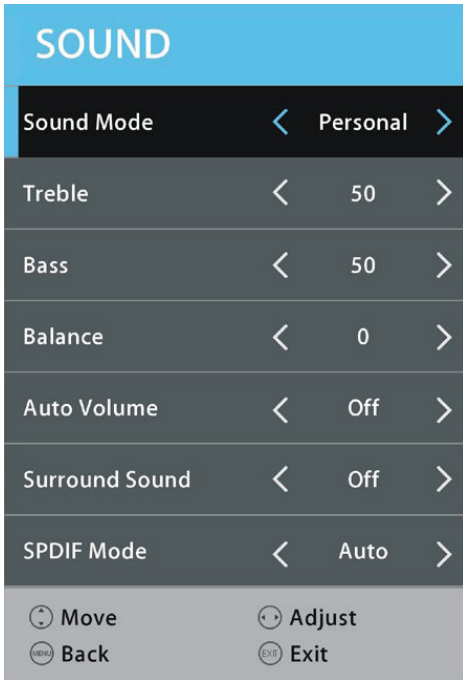
PICTURE SETTINGS

To access Picture settings, press the **MENU** button and go to picture.



Menus (CONT.)

SOUND SETTINGS



Sound Mode

- Press the UP/DOWN/LEFT/RIGHT navigation buttons to select an option.

Sound Mode: available options: Standard, Music, Movie, Sports, Personal.

Treble / Bass: adjustable value: 0-100.

NOTE: Treble and Bass are adjustable only when Sound Mode is "Personal".

Balance

This item is used to adjust the audio output between left and right speaker from -50 to 50.

Auto Volume

This item is used to set Auto Volume ON or OFF.

Surround Sound

This item is used to select desired mode of Surround sound.

SPDIF Mode

Available options: Auto, PCM, Off.

AD Switch

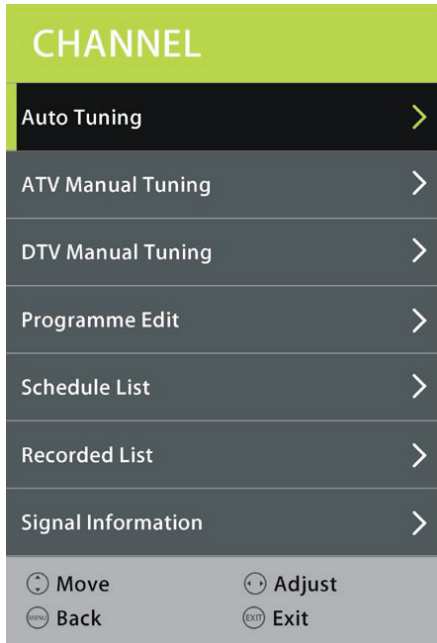
This item is used to set AD Switch ON or OFF. For Visually Impaired users, this function enables a user to know a certain scene or action through the narration, instead of seeing it.

NOTE: AD Switch function works only when you are viewing programs that contain related narration information.

Menus (CONT.)

CHANNEL

To access CHANNEL settings, press the **MENU** button and go to CHANNEL.

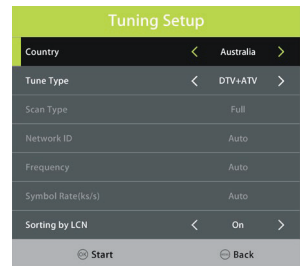


Auto Tuning

- Press the OK or RIGHT navigation button.
- Use the navigation buttons to set the Country, Tune Type and LCN.
- Then press OK to start program tuning.

ATV Manual Tuning

- Press the OK or RIGHT navigation button.
- Current CH:** select current channel.
- Color System:** select available color system.
- Sound System:** select available sound system.
- Fine Tune:** fine tune the frequency.
- AFC:** turn on/off Automatic Frequency Control.
- Search:** search available programs.



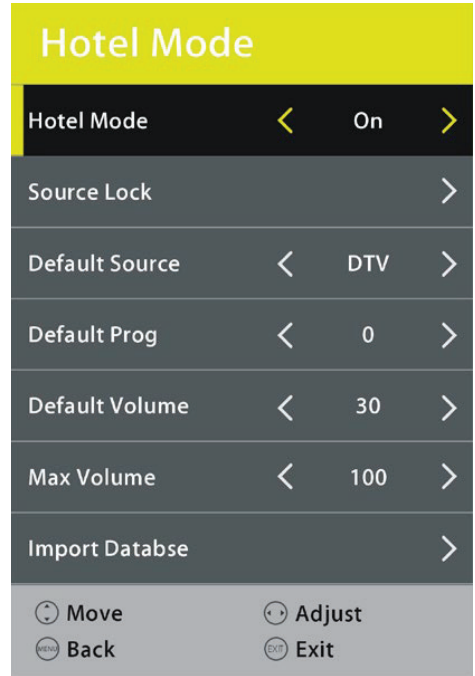
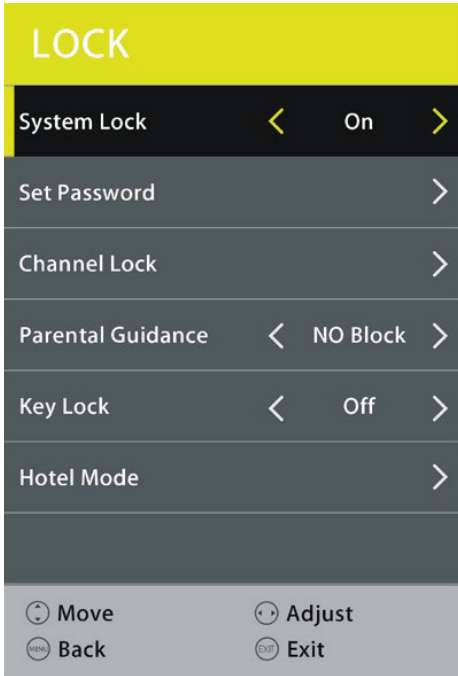
Menus (CONT.)

LOCK MENU

To access LOCK settings, press the **MENU** button and go to Lock.

Default factory password is "0000", then you can set your own password to lock the TV.

Master Password is: "4711"



Lock

This item is used to turn on/off Lock System.

Channel Lock

- Press OK or RIGHT navigation button to enter it.
- Press UP/DOWN navigation button to select the channel which you want to lock.
- Press GREEN button repeatedly to lock/unlock the highlighted channel.

Parental Guidance

This item is used to select desired program rating.

Available options: NO Block, Block All, Block G and above, Block PG and above, Block M and above, Block MA and above, Block AV and above, Block R and above.

Key Lock

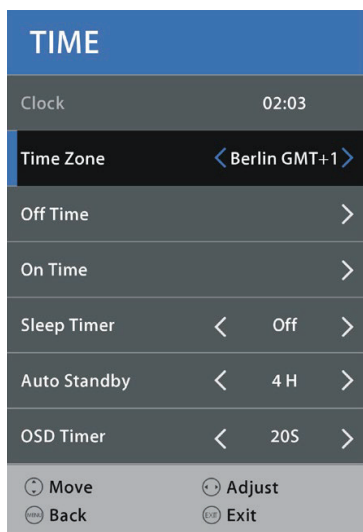
This item is used to lock/unlock TV buttons.

Available options: On, Off.

Menus (CONT.)

TIME SETTINGS

To access TIME settings, press the **MENU** button and go to TIME.



Clock

It displays the current system time when an available channel was saved.

Time Zone

This item is used to select a desired time zone.

Off Time

Off Time: available options: Off / Once / Every Day / Mon~Fri / Mon~Sat / Sat~Sun / Sun.

Hour / Minute: use navigation buttons to adjust the Hour / Minute when the Off Time is not "Off".

On Time

On Time: available options: Off / Once / Every Day / Mon~Fri / Mon~Sat / Sat~Sun / Sun.

Hour / Minute / Source / Channel / Volume: use navigation buttons to adjust these items when the Off Time is not "Off".

Sleep Timer

This item is used to set the automatic sleep time.

Available options: Off, 10min, 20min, 30min, 60min, 90min, 120min, 180min, 240min

Auto Standby

This item is used to select a desired Auto Sleep (standby) duration when no operations are done through the remote control. Available options: Off, 3/4/5 hours.

OSD Timer

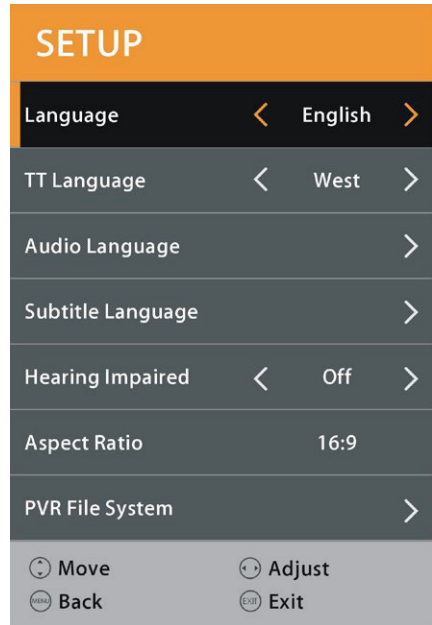
This item is used to select a desired OSD menu duration.

Available options: Off, 5/10/15/20/25/30/35 seconds.

Menus (CONT.)

SETUUP SETTINGS

To access Setup settings, press the **MENU** button and go to **SETUP**.



Language

This item is used to select the default on-screen display language.

TT Language

This item is used to select the default teletext language.

Audio Language

- Press the RIGHT navigation button.
- Then you can select the desired primary audio language and secondary audio language.

Subtitle Language

- Press the RIGHT navigation button.
- Then you can select the preferred primary subtitle language and secondary subtitle language.

Hearing Impaired

This item is used to turn on/off the Hearing Impaired function. For Hearing Impaired users, this function provides captions to supplement the audio.

NOTE: Hearing Impaired function works only when you are viewing programs that contain related caption information.

Aspect Ratio

This item is used to adjust the video size.

Available options: Auto, 4:3, 16:9, Zoom1, Zoom2.





NOTE: The available video size may be different for different input sources.

Electronic Program Guide (EPG)

EPG Guide (DTV Mode Only)

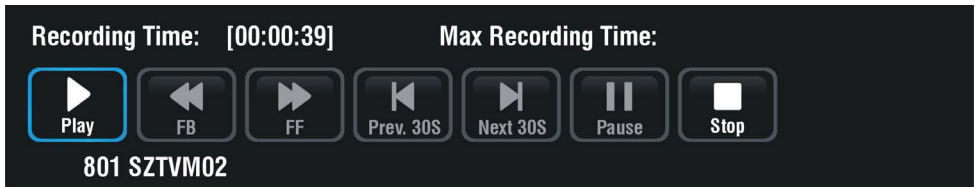
- Press the TVG button on the remote control to display the above interface.
- Before viewing EPG information, you have to 'activate' each channel for which you want to view program information. To do this, press the ▲/▼ buttons to select a channel in the left column, then press **OK** to confirm.

7 Day TV GUIDE			
9:15 - 10:00 20 Jun 2015			
Presented by Ximo Rovira, the most spectacular and shocking videos of the TV. Tit: Total impact			
20 Jun 2015 09:25		20 Jun 2015	
800 The Hits	09:15 - 10:00	Hot Hits Non Stop	Now
801 13 TV	10:00 - 11:40	Hit Chart - Most selected of today	Next
802 Europe FM	11:40 - 15:20	Flash Box	
803 Europe FM	15:20 - 19:55	Mashed Hits	
804 Sports	19:55 - 22:30	The Hitlist - on demand	
805 News			
806 Travel			
 Record	 Remind	 Prev Day	 Next Day
 Move	 Display	 Details	 EXIT

- Press the EPG button to display the EPG interface (above).
- Use the ▲/▼ buttons to select a channel in the left column, then press the OK button.
- Press the ◀/▶ buttons to switch between the channels list on the left column and the programs list on the right side of the screen
- Press the ▲/▼ buttons to select different channel/program.
- Press the  RED button or RECORD button to schedule a recording
- Press the  GREEN button to schedule a reminder
- Press the  YELLOW button to display the TV Guide for the previous day.
- Press the  BLUE button to display the TV Guide for the next day.
- Press EXIT to exit the EPG menu.

Recording

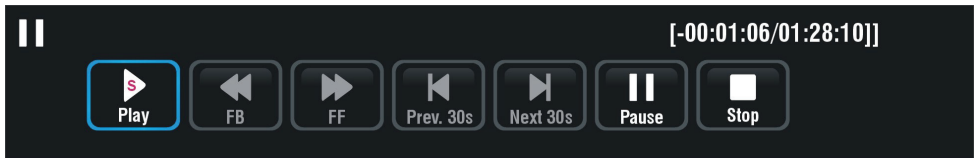
- Insert your USB memory device into the USB slot first.
- When watching digital programs, press the **REC** button on the remote control and the tool bar below will appear on the screen:



- Press the LEFT or RIGHT navigation button to select the desired option. Press the OK button to confirm the selection.
- If the tool bar disappears, press the EXIT button on the remote control to display it again.
- Press the **■** button to call out a reminder message. Use the LEFT/RIGHT navigation button to exit or continue recording.

TIMESHIFT (FOR DTV MODE ONLY)

- Insert your USB memory device into the USB slot first.
- When watching digital programs, press **▶|** button to enable the TIMESHIFT function.




- Press the LEFT or RIGHT navigation button to select a desired option. Press the OK button to confirm selection.
- If the tool bar disappears, press the EXIT button on the remote control to display it again.
- Press the **■** button to call out a reminder message. Use the LEFT/RIGHT navigation button to exit or continue time-shifting.

FAQS

GENERAL PROBLEMS WITH TV SET

PROBLEM	SOLUTION
No Power.	Make sure power plug is inserted correctly into power outlet.
No Picture.	Make sure the following is connected correctly <ul style="list-style-type: none">• Adjust the antenna• Move TV away from any products that may cause interference.• Autotune the unit again• Go to another channel
No sound or distorted sound	<ul style="list-style-type: none">• Make sure everything is connected correctly• Check if input settings for TV is correct• Audio settings are properly set• Make sure volume is not muted.• If earphones are connected, unplug them.• Adjust the volume
No operation can be performed with the remote control	<ul style="list-style-type: none">• Check the batteries are inserted correctly• Replace batteries if they have been used for awhile• Make sure to point remote control at the TV sensor and try again• Make sure you are not further then 6m away from TV.• Remote any obstacles that may be in the way of direct line of sight from remote control to the TV sensor.

SPECIFICATIONS

Resolution	1920 x 1080
Display Colours	16.7M
Contrast ratio:	3000 : 1
Aspect Ratio	16 : 9
Multimedia Playback Format under USB Mode	Movie: MPG / AVI / TS / MOV / MKV / DAT / MP4
	Music: MP3 / WMA / AAC
	Photo: JPG / JPEG / BMP / PNG
Power Source	100-240V - 50/60Hz
Power Consumption	60W
USB	5V  max. 500mA
Dimensions	With stand: 907 (w) x 207 x 568 (h) mm
	Without stand: 907 (w) x 81 x 519 (h) mm
Weight	Net: 5.29 kg
	Gross: 7.19 kg



CUSTOMER HELPLINE:

info@ayonz.com

DISTRIBUTED BY:

Ayonz Pty Ltd