

 **BLAUPUNKT**



CAR MULTIMEDIA
CARACAS 120



Enjoy it.

Operating and Installation Instructions

CAUTIONS

Safety Notes

This car radio has been manufactured according to established safety guidelines. However, dangers may still occur if the safety notes in this manual is not observed. This manual is intended to familiarize the user with the car radio's important functions. Read this carefully, prior to using the car radio. Keep this manual in an easily accessible location. In addition, do observe the instructions of the devices used in conjunction with this car radio.

Road Safety

Always observe the following notes for road safety:

- Car radio must be used in a way that compliments safety of the user when driving the vehicle. It is recommended for the user to park at an appropriate location when operating the car radio. While driving, user is not recommended to use applications that can be prone to distraction e.g. streaming to medias etc.
- Radios with Navigation : User is recommended to proceed with proposed driving routes only if it does not violate any traffic regulations. Local traffic signs and regulations always prevail over the routes proposed.
- User is advised to keep the volume of the car radio to a moderate level for the protection of the ears and to increase the ability to hear any emergency warning signals (e.g. police and ambulance sirens). Do not increase the car radio volume while the car radio is muted as it is not audible. The car radio volume can be too loud when the car radio is unmuted.

General Safety Notes:

Observe the following for protection against injuries:

- This car radio is intended for installation and operation in a vehicle with multivolt 12V/24V vehicle system outage, hence the radio unit must be installed in a DIN slot. Observe the output limits of the car radio. Do not dismantle or modify the car radio. Installation and repairs, if necessary, should be performed by a specialist. We are not liable for any loss or damage caused or resulting from unauthorized disassembly or modification to the product.

- This car radio's core components may result to damage when the car is driven on bumpy roads for a prolonged period of time or if it is used to play non-standard or severely damaged discs.
- Please do not operate the car radio under extreme temperature conditions (extremely high temperature or extremely low temperature); make sure that temperature within the car ranges from -20°C to 80°C before you connect the car radio to the power supply.
- For abnormalities, please refer to the "Troubleshooting" section. If the problem cannot be resolved, please press the Reset button to recover its factory settings. Otherwise, please contact respective installer/seller directly for help.
- As SD/USB file formats, codecs, bitrate, resolution and other parameters available in the market are not all the same, there is no guarantee that this car radio can play all media file formats.
- Different cars may have different configurations. It is normal that some CAN-Bus functions cannot be enabled because it is not supported by the user's car or this car radio.
- Solvents, cleaning and scouring agents as well as dashboard spray and plastics care products may contain materials which can damage the surface and screen of the car radio. Use only dry or slightly moistened cloth to clean the car radio surface and screen.

This manual may be updated from time to time without any notice.

Disclaimer

In no event shall Blaupunkt be liable for any direct, indirect, punitive, incidental, special consequential damages to property or life and whatsoever arising out of or connected with the use or misuse of our products.

USA & CANADA: This product is not intended for sale in the United States and Canada. If purchased in the U.S. or Canada, this product is purchased on as-is basis. No warranty, whether expressed or implied is provided in the U.S. or Canada.

CAUTIONS

Disposal Notes



Do not dispose of your old unit in the household trash! Use the return and collection systems available to dispose of the old device.

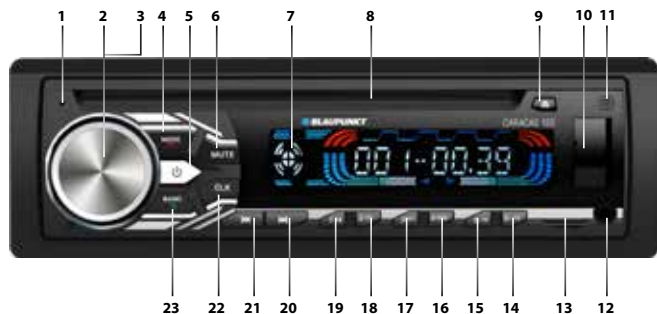
Radios with Detachable Panel - Damage to the control panel

- Never drop the control panel.
- Transport the control panel so that it is protected against impacts and the contacts cannot become dirty.
- Do not expose the control panel to direct sunlight or another heat source.
- Avoid direct skin contact

Scope of Delivery

- Car sound system
- Operating / installation instructions
- Remote control (include battery)
- Connecting cable
- Installation keys
- Trim ring
- Mounting bar

KEY FUNCTIONS

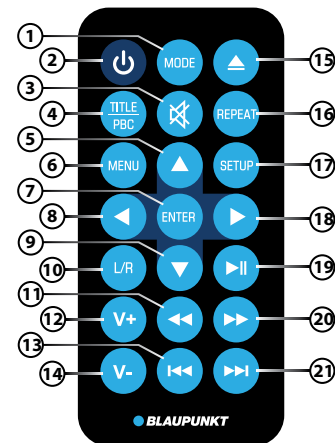


- | | |
|---|--|
| <p>1 Microphone</p> <p>2 Turn knob left / right to decrease / increase volume</p> <p>3 Menu Button : Press to enter setting. Press again to select BAS-TRE-BAL-FAD-EQ-LOUD-LOC-STEREO, turn knob to adjust</p> <ul style="list-style-type: none"> - BAS : Bass - TRE : Treble - BAL : Balance - EQ (Equalizer) : Flat/Pop/Rock/Classic - LOUD - LOC : Switch between Local (reduce receiving sensitivity when searching stations) or Remote (receive weak stations signal) searching. - STEREO : Switch between Stereo or Mono <p>4 • Press to switch between media RADIO-PHONE-DISC-USB-SD-AUXIN</p> <ul style="list-style-type: none"> • Press and hold for clock setting • Press to end call <p>5 Press to turn on or off</p> <p>6 Press to mute or unmute</p> <p>7 LCD Display</p> <p>8 Disc slot</p> <p>9 Eject</p> <p>10 USB</p> <p>11 IR</p> | <p>12 Aux-in</p> <p>13 SD</p> <p>14 • Radio mode : Use digit to select radio station or press and hold to save the station</p> <ul style="list-style-type: none"> • Playback mode : Press to skip to next 10th song or press and hold to skip to the next folder <p>15 • Radio mode : Use digit to select radio station or press and hold to save the station</p> <ul style="list-style-type: none"> • Playback mode : Press to skip to previous 10th song or press and hold to skip to the previous folder <p>16 • Radio mode : Use digit to select radio station or press and hold to save the station</p> <ul style="list-style-type: none"> • Playback mode : Press to turn on or off shuffle play • External screen : Repeat press and hold step, to shift from one folder to another <p>17 • Radio mode : Use digit to select radio station or press and hold to save the station</p> <ul style="list-style-type: none"> • Playback mode : Press to repeat 1/All • External screen : Repeat press and hold step, to shift from one folder to another <p>18 • Radio mode : Use digit to select radio station or press and hold to save the station</p> <ul style="list-style-type: none"> • Playback mode : Press to play the first 10 sec of each track • External screen : Repeat press and hold step, to move the selection downwards |
|---|--|

KEY FUNCTIONS

- 19** • Radio mode : Use digit to select radio station or press and hold to save the station
- Playback/BT mode : Pause/Play
 - External screen : Repeat press and hold step, to move the selection upwards
- 20** • Radio mode : Press to increase radio frequency manually. Press and hold to increase radio frequency automatically
- Phone (BT) mode : Press to skip to next song
 - Playback mode : Press to skip to next track/chapter. Press & hold to fast forward current track.
- 21** • Radio mode : Press to decrease radio frequency manually. Press and hold to decrease radio frequency automatically
- Phone (BT) mode : Press to return to beginning of current song
 - Playback mode : Press to skip to previous track/ chapter. Press & hold to fast reverse current track.
- 22** Press to view time or press and hold to adjust time setting.
- 23** • Radio mode : Press to select radio band FM1-FM2-FM3-AM1-AM2 . Press and hold for automatic radio stations scan and save
- Playback mode : Press to enter manual selection
 - Press to accept call

REMOTE CONTROL



- 1** Press to switch between MODE : Radio - USB - CARD - AVIN - DVD
- 2** Press to turn on or press and hold to turn off
- 3** Mute
- 4** • Title mode : Press to go to title (media file's setting)
- Playback control mode : Press to go to main menu (subject to media file's setting)
- 5** Up button
- 6** Press to go to main menu
- 7** Press to Enter to select the preferred option
- 8** Left button
- 9** Down button
- 10** Press to adjust car audio's surround system (Mono/ Stereo) according to preference
- 11** Press to rewind search
- 12** Increase volume

REMOTE CONTROL

13 Press to go to previous track/ chapter

14 Decrease volume

15 Press to eject a DVD/CD

16 Press to repeat a track/ chapter

17 Press to go to setting

18 Right button

19 Play/pause

20 Press for quick forward search

21 Press to go to next track/ chapter

BLUETOOTH

Pre-pair Bluetooth

- Ensure mobile phone supports Bluetooth function before pairing. Different mobile phone will have different emissive power. To get the best connection, the recommended distance range is 3m without any object obstruction.

Pairing

- Turn on mobile phone's Bluetooth to set up. (Please refer to the instruction manual of the mobile phone on how to operate Bluetooth)
- "CARACAS 120" should appear on your available Bluetooth scanning list.
- Select "CARACAS 120". Pairing successful when phone's Paired Device list appear as "Connected" under CARACAS 120.

OPERATION

GENERAL

Power supply 12V/24V DC
 Current consumption max. 10 A
 Maximum power output 4 x 50W channels (max)
 Dimension (WxDxH) 178 x 170 x 45mm
 Weight 1.15kg
 Operation temperature -20°C ~ 60°C

FM Stereo Radio

Frequency range 87.5 - 108MHz
 Preset memory stations18

AM/MW Radio

Frequency range 522 - 1620 MHz
 Preset memory stations12

Audio Specification

Frequency response 15HZ~15KHZ - 3dB

Input

DVD/USB 2.0 / microSD Audio : AAC/MP3/WAV/WMA
 Video : AVI, DAT, DVX, DIVX, MPEG, MPG, MP4, XVID, H.264
 Image : JPEG, JPG

Aux-in 3.5mm jack
 External microphone Ready

Bluetooth

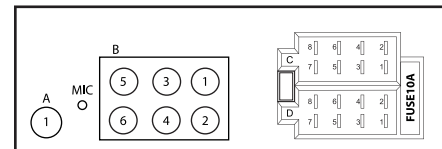
Profile 4.0+EDR A2DP, HFP, rSAP

TROUBLESHOOTING

If any of the following problem occur, please resort to Troubleshooting for the possible solutions. Consult Blaupunkt authorized dealer if problem persist.

Problems	Possible Causes	Solutions
Unable to start up	The car key is not inserted into the ignition; ignition is off	Insert the car key and turn on the ignition.
	Power Cable is not inserted into the main body.	Insert the power cable.
	Burnt power fuse . Drained car battery.	Replace it with a new fuse. Charge or replace the car battery.
No sound	Audio cables are not properly connected to the unit.	Ensure proper connection of the audio cables.
	Mute setting is on.	Unmute the volume.
	Low volume.	Adjust the volume.
	No sound from front, rear, left & right speakers due to Fade-Balance settings.	Select Equalizer from Home Page to adjust setting.
Dim screen or black-&-white screen while playing video	Brightness, contrast ratio and color values are excessively adjusted.	Ensure brightness, color and contrast ratio values are in normal range.
Slow in SD card reading	The pixel of the picture file exceeds this system's capacity.	Replace it with a new audio/video SD card with compatible file formats.
	SD card may contain corrupted files or virus.	
No rear-view reverse image	The rear camera is not appropriately connected with power supply.	Examine the camera's power supply connectivity.
	Camera's signal line not plugged in.	Insert the camera's signal line into the interface port of this unit.
Unable to search radio stations	Radio's antenna is not well inserted.	Ensure radio antenna is properly installed.
Unable to play the Disc	The Disc is not inserted properly.	Re-insert the Disc and ensure orientation is correct.
	The Disc is scratched, distorted or stained.	Replace it with a functioning disc.
	Unable to read files.	Ensure media files are supported by this unit.

WIRING DIAGRAM



NO.	WIRE	A
1	RADIO ANTENNA	

NO.	WIRE	B
1	RCA	R
2	RCA	L
3	AUXIN	R
4	AUXIN	L
5	V/OUT	1
6	V/OUT	2

NO.	WIRE	C
1	REAR LEFT -	
2	REAR LEFT +	
3	FRONT LEFT -	
4	FRONT LEFT +	
5	FRONT RIGHT -	
6	FRONT RIGHT +	
7	REAR RIGHT -	
8	REAR RIGHT +	

NO.	WIRE	D
1	BLACK	GND
2	RED	ACC
3	-	-
4	BLUE	ANT
5	YELLOW	B+
6	-	-
7	-	-
8	-	-

INSTALLATION INSTRUCTION

SAFETY

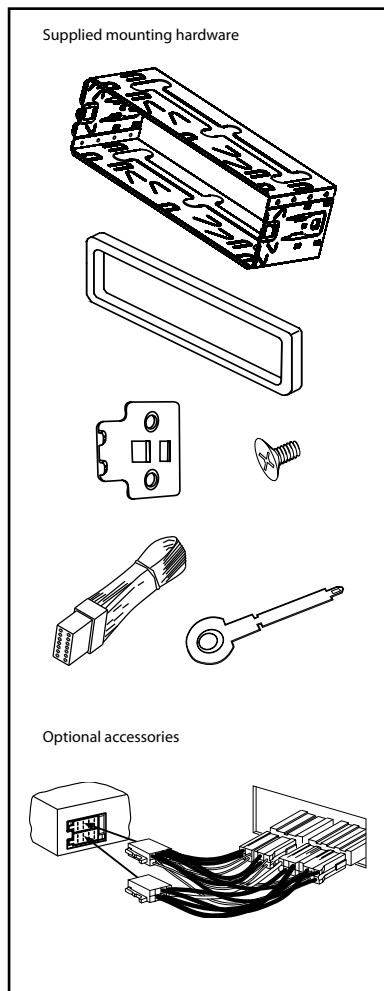
- Assign a mounting location that will not obstruct driver in any circumstances. Or cause injuries to drivers and passengers in case emergency brake or accidents.
- Ensure all wires are connected properly, and that the unit is functioning well before fitting the unit into the mount.
- Any unauthorized installation and modification may cause malfunction to the unit. Always use the parts that are included with the units only.

CAUTION

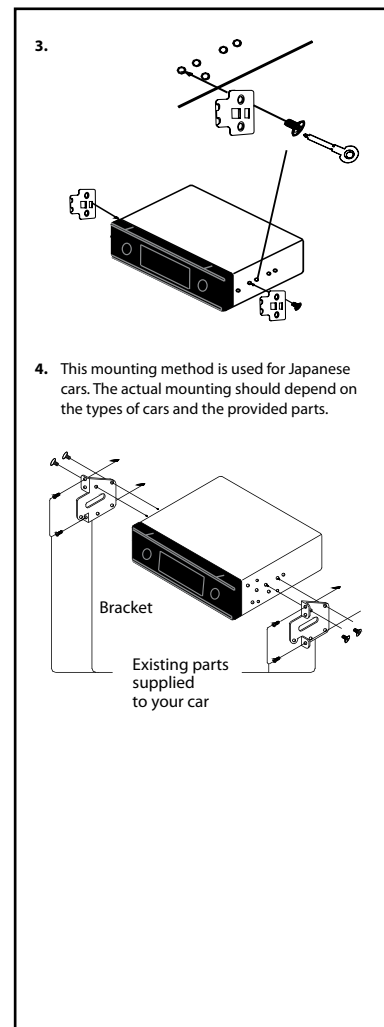
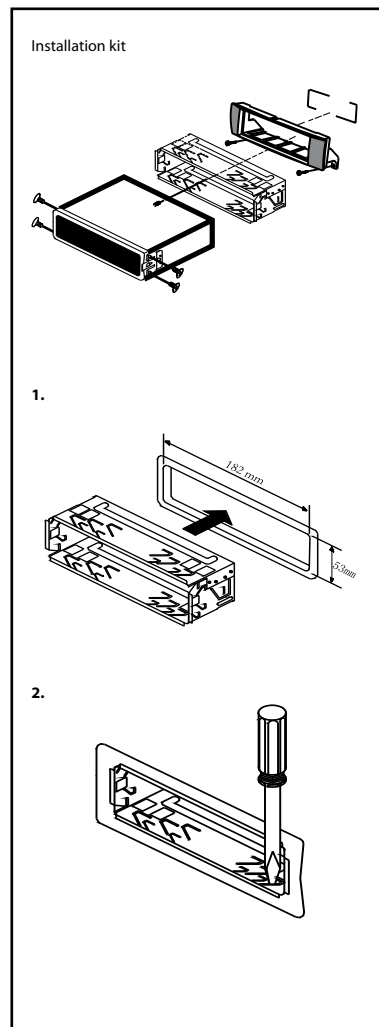
- Disconnect the negative terminal of the battery (Refer to vehicle manufacturer's safety instructions). Be wary of not damage vehicle components when drilling holes.
- Make sure you do not damage vehicle components when drilling any holes.
- The cross sections of the positive and negative cables must not be less than 1.5 mm².
- Do not connect the vehicle's plug connectors to the radio!
- Your vehicle may differ from the description provided here. Blaupunkt is not liable in case any damage caused by incorrect installation or connection.
- Please contact Blaupunkt dealers or vehicle's manufacturer if information provided here does not fit your specific installation requirement.

When installing amplifier, first connect the device ground connections before connecting the plugs for the line-out jacks.

Ground connection of external devices may not be connected to ground of car sound system (housing).

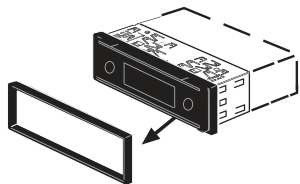


INSTALLATION INSTRUCTION

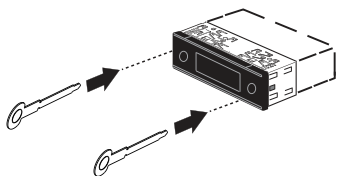


DISMANTLE INSTRUCTION

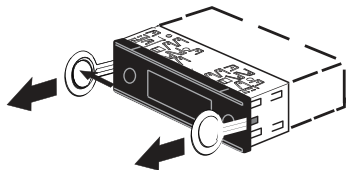
1.



2.



3.



4.

