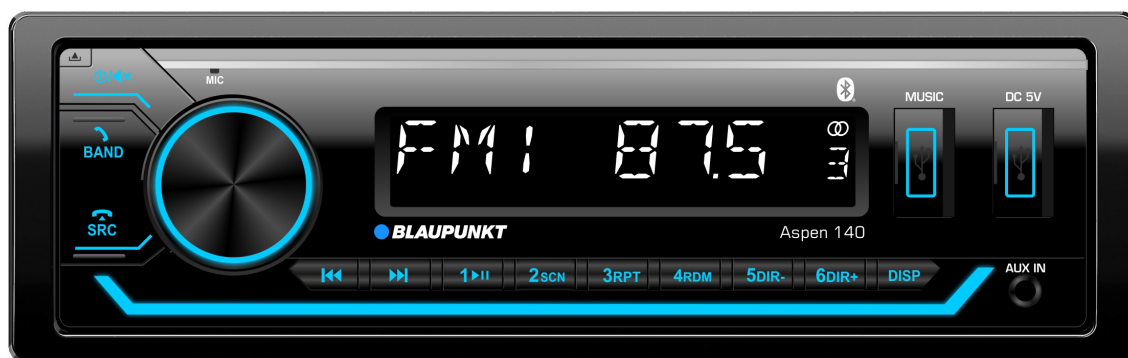




USB MEDIA PLAYER
Aspen 140



Enjoy it.

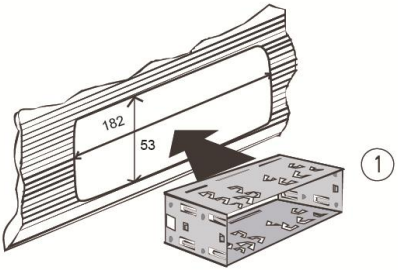
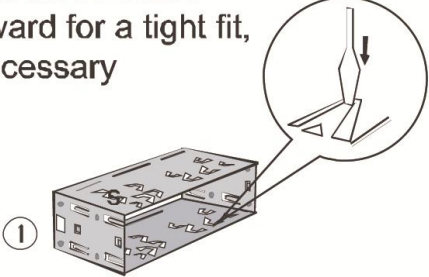
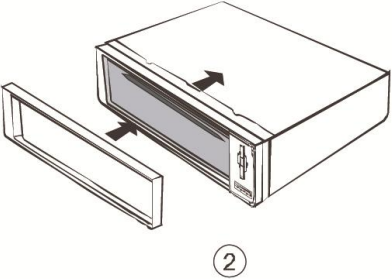
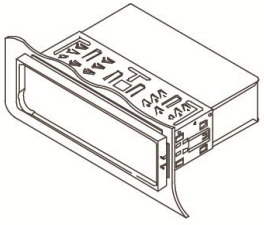
Operating instructions

OPERATION

ATTENTIONS OF INSTALLATION

1. This player should be installed by professional technician.
2. please read the instruction and operation of equipment carefully before installing.
3. Make sure to connect other wires before power connection.
4. To avoid short circuit. Please make sure all the exposed wire are insulating.
5. please fix all the wires after installation.
6. please make connection to the player accordingly to this instruction manual. Wrong connection may cause damage.
7. This player only fit for 12V DC device and please make sure your car belongs to this kind of cathode grounding electrical system.
8. Please connect the wires rightly. Wrong connection will cause malfunction or damage the electrical system.

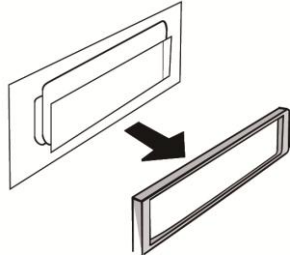
INSTALL THE UNIT

<p>Insert Mounting sleeve ① into car.</p> 	<p>Bend these claws outward for a tight fit, if necessary</p> 
<p>Insert Outer trim Frame ② to the unit</p> 	<p>3 4 Insert the unit into the mounting sleeve.</p> 

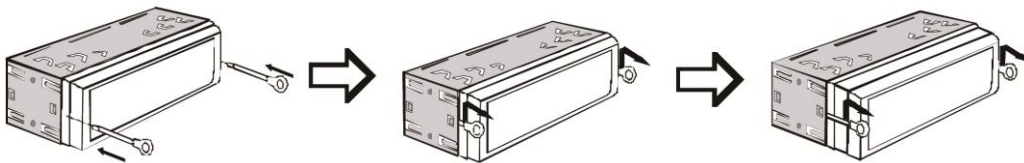
OPERATION

REMOVE THE UNIT

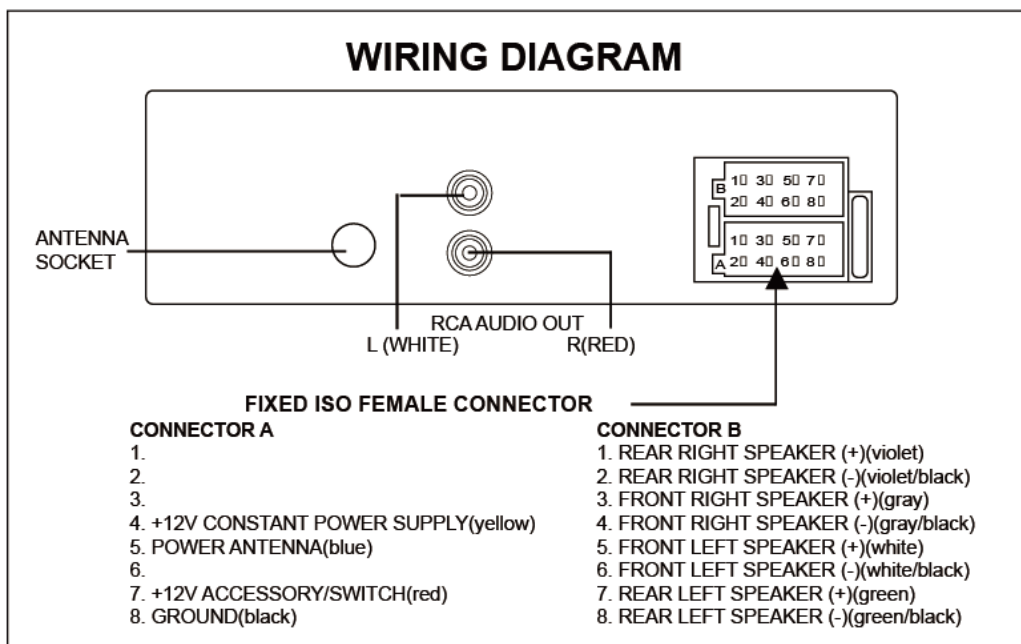
1. Detach the front panel.
2. Take out the outer trim frame.



3. Insert the keys supplied on the both sides of the unit until they click. Pulling the keys and makes them to remove the unit from the dashboard.



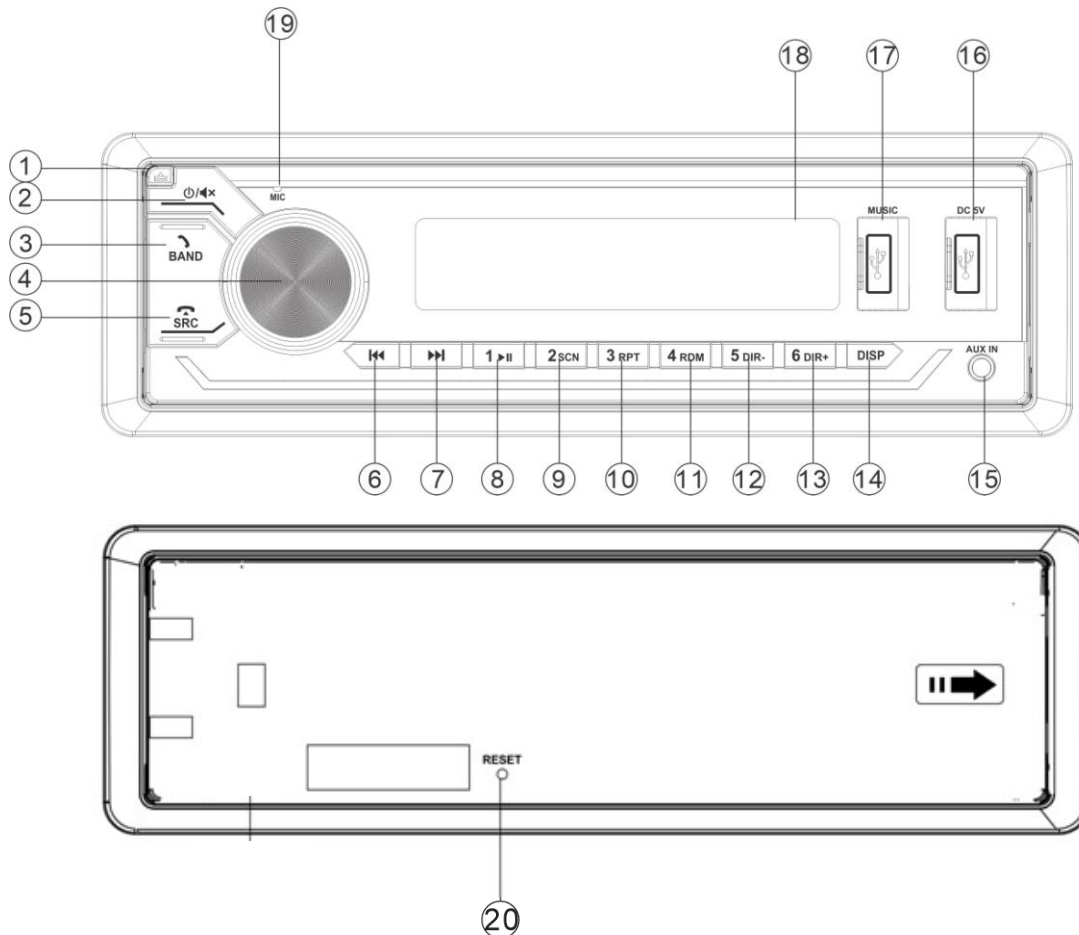
WIRING CONNECTION






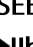
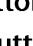


OPERATION

1. This player can only be used by the 12V DC.
2. Do not connect the battery terminal until the player is fully well installation.
3. Please make sure to connect the yellow wire to the positive of the battery(+).
4. When change the fuse. Please make sure the specifications are same.
5. Using good quality speaker with 4-8 ohm can result in the best effect of the equipment.

LOCATION OF KEYS




1.  (panel release) button.
2.  (POWER/MUTE) button.
3.  BAND button.
4. VOL-/+ (Volume up/down) button.
5.  /SRC(Source) button.
6.  (SEEK DOWN) button.
7.  (SEEK UP) button.
8. 1  button.
9. 2 SCN button.
10. 3 RPT button.
11. 4 RDM button.
12. 5 DIR- button
13. 6 DIR+ button
14. DISP (Display) button.
15. Aux in Jack .
16. USB (DC5V) Port for charging
17. USB (MUSIC) Port for play music.
18. LCD display.
19. MIC.
20. RESET button

OPERATION

BASIC OPERATION

Turn on/off the unit and mute function

Press  button to turn on the unit. When system is on. Shortly press this button for mute on/off. Press and hold this button to turn off the unit.

Audio and setting menu adjustment

BAS(Bass)->TRE(Treble)->BAL(Balance)->FAD(Fader) ->LOUD->EQ->
STEREO/MONO->DX/LOC

In each item. Rotating the **VOL** knob to set them.

LOUD: In small volume set it on to reinforce the bass output. The sound will be better.

EQ: In EQ item, Rotate **VOL** knob to set the preset EQ as below:

POP->ROCK->CLASS->JAZZ->FLAT->EQ OFF

STEREO/MONO:

STEREO: Receive FM stereo signal.

MONO: Change FM stereo to monochrome. It can reduce the noise when the signal is weak.

DX/LOC (Distance/Local):

LOC: Receive the strong signal station only.

DX: Receive strong and weak signal station.

Show Clock

Shortly press **DISP** button to show the clock for several seconds.

Manual Clock setting

Press and hold **DISP** button for 2 seconds. The "HH" will be flashing. Rotating the **VOL** knob to adjust the hour. After that press **SEL** button the "MM" will be flashing. Rotate **VOL** knob to adjust the minute. Then press **DISP** button to confirm and exit.

Reset the unit



Press **RESET** key to restore all the data to factory settings.(Note: all memories will be lost.)

Play music via the aux in 3.5mm jack

Press **SRC** button to switch to **AUX IN** mode when inserted an audio source to the 3.5mm jack of the unit.

RADIO OPERATION

Receive a radio station

Press **SRC** button to select radio mode. Then press **BAND** button to select a band. Shortly press  button to seek the desired radio station. Press and hold  button for manual tuning the frequency.

OPERATION

Auto Store station

Press and hold **BAND** button for 2 seconds to auto store stations to numeric buttons 1-6 of band 1~3.

Manually store station & recall preset station

Tuning to a station with **◀◀** or **▶▶** button. Press and hold one of the 1- 6 preset button for 2 seconds. The current station is stored into the number button. Shortly press the preset button (1~6) to directly listen to the station that saved in the corresponding preset button.

USB operation

When an USB driver inserted to the unit, the unit will play the MP3/WMA file automatically. If an USB drive is already inserted in the unit. Keep pressing **SRC** button shortly until the USB mode display appears.

Select file

Press **▶▶/◀◀** button to skip to next/previous file. Hold **▶▶/◀◀** button to fast forward or fast reverse.

Play/Pause

Press **▶||◀** on to pause/play the song.

SCN function:

Press **SCN** button to play the first 10 seconds each file. Press **SCN** button again to cancel this function.

RPT function:

Press **RPT** button to select RPT ONE/RPTDIR/RPT ALL mode.

RPT ALL (default): Repeat all files.

RPT ONE: Repeat playing the current playing song.

RPT DIR :Repeat all files of this folder.

Random function:

Press **RDM** button, all files will be played randomly. Press it again to cancel this function.

Select a Directory

Press **DIR+/DIR-** button to select directory upward or downward.

+10/-10 file function (for MP3/WMA)

Press and hold **DIR+/ DIR-** button for 2 seconds to skip +10/-10 file to play.

Song search:

Press and hold **BAND** button to select song search, begin to shows "NUM0000", You can select the song by directly enter numeric buttons: 0~9 (SRC=7,◀◀=8, ▶▶=9, DISP=0). You also can rotate the **VOL** knob to select the numeric. Then press **VOL** to play.

CAUTION:

1) When connecting an MP3 player which has normal battery (non rechargeable battery),you should remove the battery from the MP3 player then connect it to the USB

OPERATION

interface. Otherwise, it may cause battery burst.

2) When there are important files in the USB device, do not connect it to the main unit to play. Because any wrong operation may cause files loss. And our company assumes no responsibility for this.

BLUETOOTH OPERATION

PAIRING

On mobile phone, select the Bluetooth item searching the Bluetooth device. "Aspen 140" should appear in the list, select "Aspen 140" and then input password "0000" If it needs a password. When successful paired, the BT mark will be displayed on LCD.

Answering / rejecting an incoming call

Press  key to answer the coming call. Press  key to reject or hang up the call.

Call-out function

Please use your mobile phone to call-out.

Transfer the call between mobile phone and unit

During the talking mode, you can press  button to transfer the phone call between the mobile phone and the unit.

Bluetooth audio (A2DP function)

Press  key to pause/play the song. Press  button to select next/previous song.

OPERATION

GENERAL

Power Supply Requirements	: DC 12V Volts, Negative Ground
Chassis Dimensions	: 178 (W) x 97 (D) x 50 (H)
Tone Controls	
- Bass (at 100 Hz)	: ±10 dB
- Treble (at 10 kHz)	: ±10 dB
Maximum Output Power	: 4x40 watts
Current Drain	: 10 Ampere (max.)

RADIO

FM

AM (MW)

Frequency Coverage:	87.5 to 108 MHz.	520 to 1710 KHz
Sensitivity:	4mV(S/N=30dB)	36dBuV(S/N=20dB)
Stereo Separation	>25dB	/

TROUBLE SHOOTING

Before going through the checklist, check wiring connection. If any of the problems persist after checklist has been made, consult your nearest service dealer.

Symptom	Cause	Solution
No power.	The car ignition switch is not on.	If the power supply is connected to the car accessory circuits, but the engine is not moving, switch the ignition key to "ACC".
	The fuse is blown.	Replace the fuse.
No sound.	Volume is in minimum	Adjust volume to a desired level.
	Wiring is not properly connected.	Check wiring connection.
The operation keys do not work.	The built-in microcomputer is not operating properly due to noise.	Press the reset button.
The radio does not Work. The radio station automatic selection does not work.	The antenna cable is not connected.	Insert the antenna cable firmly.
	The signals are too weak.	Select a station manually.

OPERATION

FOR MORE LANGUAGES, PLEASE SCAN QR CODE BELOW:

PARA MÁS IDIOMAS, FAVOR ESCANEAR EL CÓDIGO QR ABAJO:

POUR PLUS DE LANGUES, VEUILLEZ SCANNER LE CODE QR
CI-DESSOUS :



BP Americas Corp.
Doral, Florida 33178 USA
www.bpcarusa.com

BP Americas Paraguay S.A.
Asunción, Paraguay
info@bpamericas.com