

COMMUNICATION KIT CKT 1



Enjoy it.

CAUTIONS

Safety Notes

This communication box has been manufactured according to established safety guidelines. However, dangers may still occur if the safety notes in this manual is not observed. This manual is intended to familiarize the user with the communication kit important functions. Read this carefully, prior to using the product. Keep this manual in an easily accessible location. In addition, do observe the instructions of the devices used in conjunction with this communication box.

Attentions

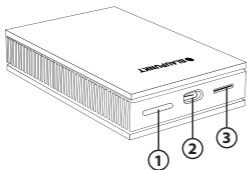
- This device support the cars with OEM Wired CP.
- This device is intended for installation and operation in a vehicle with 12V vehicle system voltage.
- Keep the device away from children.
- Keep the device away from flammable areas or liquids.
- The device should be stored in dry and low humidity place.
- Weak signal or signal interference of device can arise from obstacle locations such as underground parking.
- Do not disconnect the connecting cable during the software update. Please ensure the software update is completed before disconnect.
- For abnormalities, please refer to the "Troubleshooting" section. Consult with Blaupunkt dealer for further assistance, in case if the problem cannot be resolved.

This manual may be updated from time to time without any notice. Please visit www.blaupunkt.com/ase for latest manual.

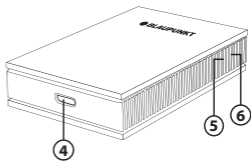
Disclaimer

In no event shall Blaupunkt be liable for any direct, indirect, punitive, incidental, special consequential damages to property or life and whatsoever arising out of or connected with the use or misuse of our products. USA & CANADA: This product is not intended for sale in the United States and Canada. If purchased in the U.S. or Canada, this product is purchased on as-is basis. No warranty, whether expressed or implied is provided in the U.S. or Canada.

STURCTURE & FUNCTIONS



1. SIM Card Slot
2. Type-C Port
3. MicroSD Card Slot



4. Mini HDMI Output
5. Indicator Light of Working Status (Blue Light)
6. Indicator Light of Power Supply (Red Light)

SPECIFICATION

Features

CPU	8-Core @ 1.8 GHz
Operating System	Android 9.0
Memory	4GB
Storage	64GB
Operating Voltage	5V
SIM Card	4G / 3G / 2G SIM
GPS	Built-in
Wi-Fi	Built-in (2.4G/5G)
Socket	Type-C Female, MicroSD Card Slot, MiniHDMI Input
Android Auto	Supported
Apple Carplay	Supported
BT	Built-in (4.2 & 5.0)
HDMI Video Output	Yes (Support up to 4K)
Language	English, Vietnamese, Japanese, Thai, Traditional Chinese & Simplified Chinese
Dimension	101 x 67 x 21.4mm

Accessories

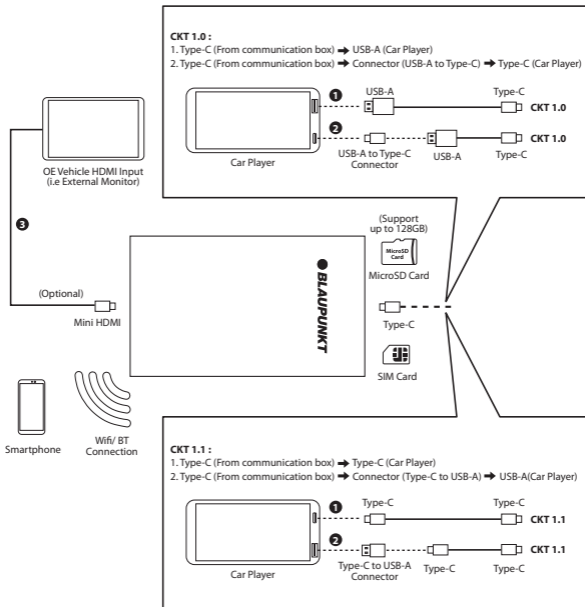
CKT 1.0



CKT 1.1



WIRING DIAGRAM



SOFTWARE OPERATION

Homepage

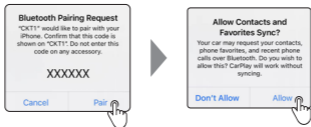
a) Floating Button

- Click on any empty space on the car player screen, the floating button will appear. Click on the floating button again, the shortcut menu bar will be displayed, then select your preferred shortcut function.
- Shortcut Menu : Homepage / Return / Clean Up Current Running Applications / Voice Assistant / Split-Screen / Clear the Background Running Applications / Return to OEM Screen

BT Function

a) For First-time User :

- Car Player : Go to BT Phone (Homepage) > Click on Bluetooth Icon (on the top menu bar) > Check on CKT1
- Mobile Phone : Go to Settings (Homepage) > Bluetooth > Bluetooth switch to turn it on > Connect to CKT1 > Pop-up Window > Click on "Pair" > Click on "Allow"



- b) Car Player : Go to BT Phone (Homepage) > Click on Linked Icon (on the top menu bar) > Check on paired devices to ensure CKT1 is connected.

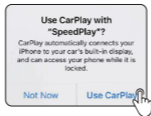
SpeedPlay

a) BT Connection

- Ensure BT is turned on & paired to CKT1

b) SpeedPlay Connection

- Go to SpeedPlay (Homepage) > Showing "Connecting" > Pop-up Window (on Mobile Phone) > Click on "Use CarPlay" > Enter SpeedPlay Interface



Internet Function

a) Internet via Wi-Fi :

- Go to Settings (Homepage) > Network & Internet > Connect to your preferred networks > Enter the Wi-Fi password to connect.
- After connecting, the WiFi icon will appear on the on the status bar (top left corner).

b) Internet via 4G :

- 4G icon will appear on the status bar (top left corner) once 4G SIM card is inserted.
- Go to Settings (Homepage) > Network & Internet > SIM cards > Check if SIM card is working.

SOFTWARE OPERATION

Video and audio play

- Play the video & audio from the local MicroSD card or Media Player Application.
- Split-Screen : Click on any empty space on the car player screen, the floating button will appear. Click on the floating button again, the shortcut menu bar will appear, select the Split-Screen icon.

HDMI Output

- The communication kit support HDMI video and audio output function, support up to 4K video resolution .
- Connect Mini HDMI cable to the Mini HDMI port of communication kit, then connect with OE Vehicle HDMI Input (i.e External Monitor).

GPS Function

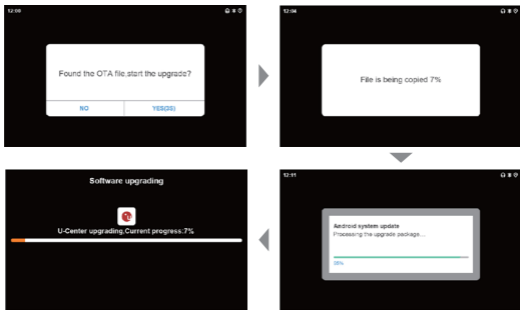
- Go to GPS Test Plus icon > enter to check GPS signal information

Settings

- Go to Settings to choose language, date, timezone, etc.

Software Update

- Copy the latest software file to a new MicroSD card and insert it to the device
- Software Updating Process : Pop-up Window > Click on" Yes" > File is being copied > Processing the upgrade package > Software Upgrading > Carplay & Communication Kit are restarted > Enter Android system



NOTE :

- Do not turn off or disconnect the USB cable during any update. Please ensure the software update process is completed before disconnect the cable/ turn off the communication kit.
- During software updating, the blinking red/blue light means its in normal status. The communication kit will restart once software update is completed. The software update process may take up to 10mins.
- Eject the MicroSD card once the software update is completed to avoid repeating software update again.

TROUBLESHOOTING

If any of the following problem occur, please resort to Troubleshooting for the possible solutions. Consult Blaupunkt authorized dealer if problem persist.

Problems	Possible Causes	Solution
Unable to enter Android System after connection	Your car player is compatible with wireless CP instead of wired CP.	Ensure your car player is compatible with wired CP.
	Improper connection of device & car player.	Check the USB cable if it is connected.
Weak or no GPS Signal	The device is not positioned properly.	Ensure the device is facing up.
		Ensure it is not being shielded by metal.
No 4G Network Signal	Improper installation of SIM card.	Check the SIM card and insert it properly.



Designed and engineered by Blaupunkt Competence Centre

CKT 1.0
1 161 22 001 20 01

CKT 1.1
1 161 22 002 20 01