

BLAUPUNKT

BLAUPUNKT
Brand
established
1924
GERMANY

ACTIVE SUBWOOFER
XLb 8260 A



Enjoy it.

Operating and Installation Instructions

CAUTIONS

Proper system planning is vital in order to maximize the device's performance and road safety. Plan your installation carefully to avoid compromising performance reliability of the system. Consult an authorized Blaupunkt dealer for installation or preparation. Read the manual carefully before operating the device for the first time.

Installation and Connection Instructions

- Select a dry and well-ventilated location to install the device.
- The device must not be installed in overly exposed location such on the rear shelf, rear seat etc.
- The installation location must be suitable for screw holes and have stable ground support.

Disclaimer

In no event shall Blaupunkt be liable for any direct, indirect, punitive, incidental, special consequential damages to property or life and whatsoever arising out of or connected with the use or misuse of our products.

USA & CANADA: This product is not intended for sale in the United States and Canada. If purchased in the U.S. or Canada, this product is purchased on as-is basis. No warranty, whether expressed or implied is provided in the U.S. or Canada.

Voltage Supply

- Use the supplied power cable to extend and connect to the positive battery terminal.
- Firmly and carefully connect the ground lead to a bare metal point on the vehicle chassis.

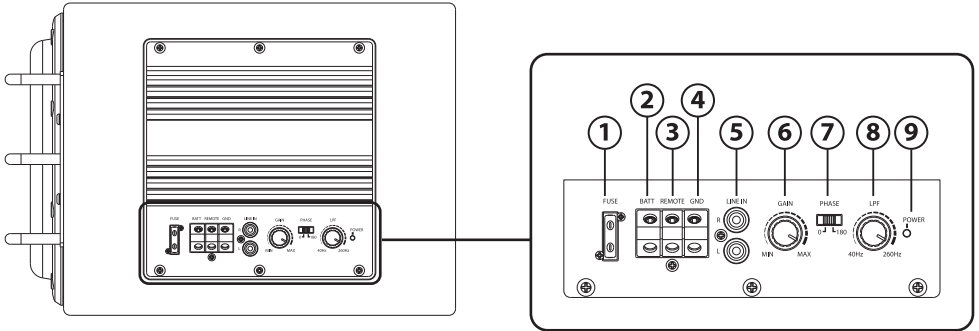
Disposal Notes



Do not dispose of your old unit in the household trash!
Use the return and collection systems available to dispose of the old device.

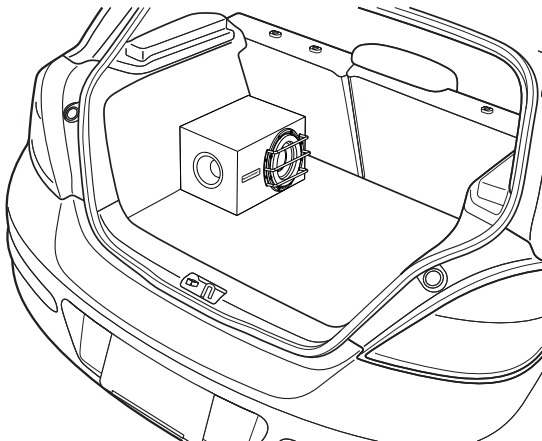
This manual may be updated from time to time without any notice. Visit www.blaupunkt.com for more info.

FUNCTIONS CONTROLLING DIAGRAM

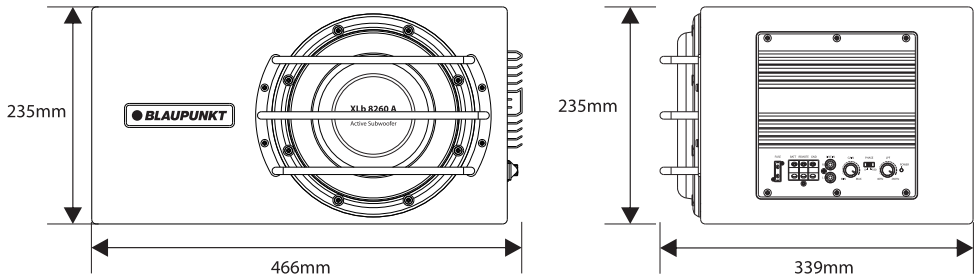


1. Fuse (30A)
2. BATT (+12V)
3. Remote
4. GND
5. Line Input (L/R)
6. Gain (Min ~ Max)
7. Phase (0°~ 180°)
8. Low Pass (40Hz ~ 260Hz)
9. Power LED Light

INSTALLATION



SPECIFICATION



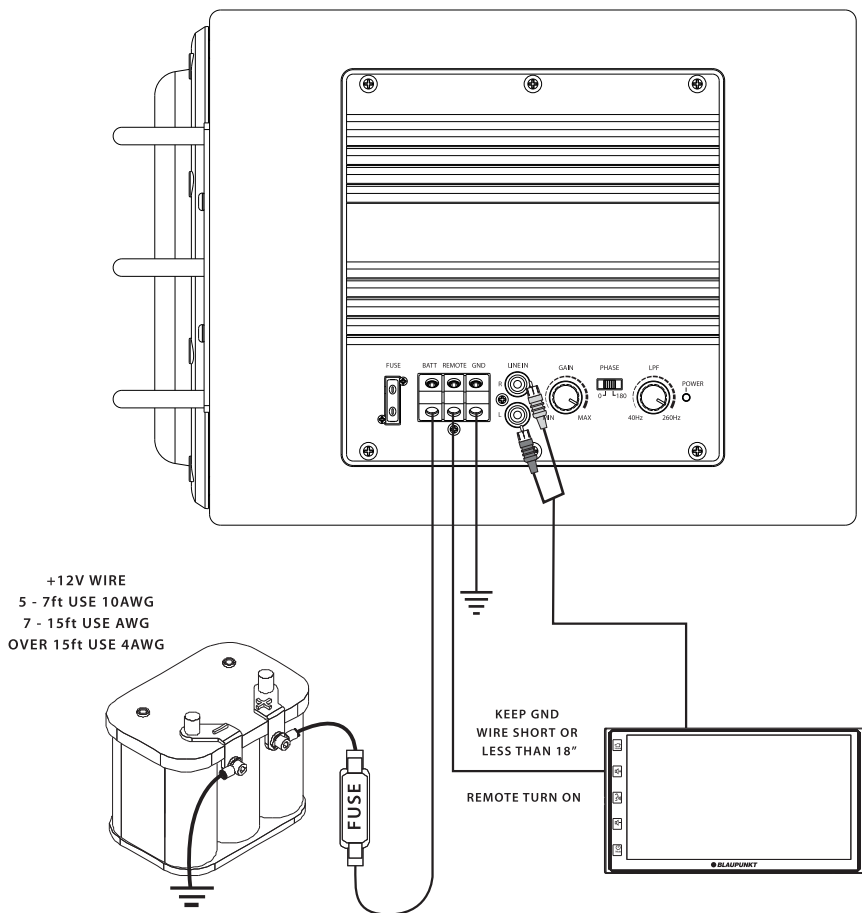
Subwoofer

- Max. Output Power : 385W
- Speaker Size : 8,0"
- Cone Composition : Composite Paper Cone, Foam Surround
- Magnet Type : Ferrite
- Enclosure Housing Material : MDF
- Enclosure Dimension (LxWxH) : 466 x 339 x 235mm
- Enclosure Net Weight : 10.1kg

Amplifier

- Amplifier Technology : Class D
- Normal Output Power (RMS) : 260W
- Max. Output Power : 385W
- Sensitivity (In Car/1W) : 88dB
- Signal / Noise Ratio (dB) : >85dB
- Impedance : 4 ohms
- Frequency Response : 20Hz – 260Hz
- Low Pass Filter (LPF) : 20Hz
- Working Voltage : 11V-14.5V
- Fuse : 30A
- Phase Switch : 0 deg / 180 deg
- Audio in Sensitivity : RCA Low Level Input 280mV

WIRING DIAGRAM



TROUBLESHOOTING

If any of the following problem occur, please resort to Troubleshooting for the possible solutions. Consult Blaupunkt authorized dealer if problem persist.

Problem	Solution
Amplifier power up failure	Examine if the ground connection is intact.
	Examine if remote input has at least 5V DC.
	Examine if battery power is connected correctly to the + terminal.
	Ensure supplied voltage is minimum 12V.
	Examine if fuse is broken and replace if necessary.
	Restart the device if protection LED light is on.
Protection LED lights on when turn on	Examine if speaker wire had short-circuit.
	Turn volume down from head unit to prevent overdriving the device.
	Device might need service or repair, if protection LED light is still on after resetting the device.
No sound output	Examine fuses and replace if necessary.
	Examine if ground connection is intact.
	Examine if remote input has at least 5V DC.
	Examine if RCA audio cables are connected to the right inputs.
	Examine if speaker wiring is intact.
Low sound output	Reset Level Control
	Examine the Crossover Control setting.
Buzzing noise	Observe if the device is still producing noise after turning on and off the amplifier. If yes, examine if the cables are correctly connected and if the cables and radio are in good condition. Repair or replace if the cables or the radio are not in good condition.
Squealing noise interference	Ensure RCA connections are properly connected.
Distorted sound output	Ensure input level of the device matches the signal level of the head unit.
	Always set the input level to the lowest.
	Examine if crossover frequency is set correctly.
	Examine if speaker wire had short-circuit.
Amplifier temperature increased	Examine if the minimum speaker impedance for the amp models is correct.
	Ensure good air ventilation around the device. Add external cooling fan if necessary.
Engine noise (static sound) interference	Usually caused by poor RCA cable quality, which release noise. Use only the best quality cables, and route them away from power cables.
Engine noise (alternator whine) interference	Examine if RCA cable are nowhere near or attached to the vehicle chassis.
	Examine if head unit is properly connected to the wires.

