

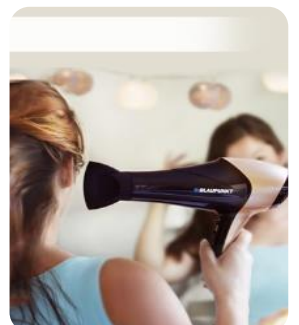
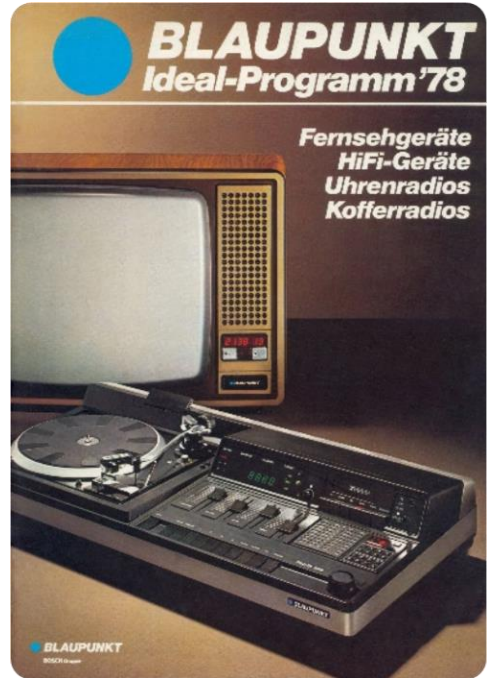
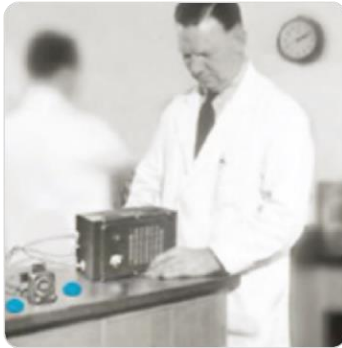
 **BLAUPUNKT**



Enjoy it.

 **BLAUPUNKT**
Brand
established
1924
GERMANY

Major Domestic Appliances
Catalogue 2023-24



Brand History

- 1924** A company named “Ideal” was first founded in Berlin when radio was still in its infancy. Every unit was carefully tested by technicians and labelled with a seal for quality — the blue dot. It did not take long before customers simply asked for the “bluepoint” products. The blue dot quickly became known as a symbol of outstanding quality.
- 1932** The first car radio in the world was launched by Blaupunkt.
- 1938** The dot became a trademark as well as the new company name: Blaupunkt.
- 1959** The year 1959 saw the delivery of the one millionth car radio.
- 1971** Ten million Blaupunkt car radios were produced.
- 1974** First car radio with traffic information receiver.
- 1979** 25 million Blaupunkt car radios produced..
- 1982** Prototype of first route guidance system.
- 1989** World’s first mass production ready traffic navigation system.
- 1999** Production of 100 million Blaupunkt car radios.
- 2002** First web-linked navigation system.
- 2007** 75 years car radio.
- 2010** Blaupunkt TV and Multiband Receivers became the first licensed product categories.
- 2012** The product range of Blaupunkt was expanded to include additional product categories such as tablet computers, mobile navigation, audio and video and air conditioning.
- 2015** Blaupunkt was awarded the “Brand of the century – German brand standards”.
- 2016** The product range of Blaupunkt was expanded to include additional product categories such as small household appliances and personal care.
- 2023** Blaupunkt won two prestigious “Red Dot” Awards for built-in appliances.

The Blaupunkt range is growing quickly, covering almost every category of the consumer lifestyle all over the world.

Contents

| | |
|------------------------------|-----------|
| Washing Machine | 5 |
| Dishwasher | 9 |
| Refrigerator | 14 |
| Cooker and Oven | 31 |
| Hob | 48 |
| Hood | 56 |

WASHING MACHINE



WASHER DRYER - BFWD10614SIS



10/6
Kg

- Front Loading Washer Dryer - Silver Colour
- Washing Capacity 10 Kg / Drying Capacity 6 Kg
- Max. Spin Speed: 1,400 RPM
- Childproof Safety Lock
- Large LED Display
- Washing programs: 14 (Cotton, Eco, Synthetic, Duvet, Wool, Mix, Baby Care, Tub Clean, Quick 15', Spin, Rinse + Spin, Quick 42', Wash & Dry, Dry)
- Variable Temperature (°C): Cold / 20 / 40 / 60 / 90°C
- Drum Capacity 63 liters
- Big Door
- Direct Drive Inverter motor
- Voltage 220-240 V / 50 Hz
- Product Dimension (W x D x H in cm): 59.5 x 64.0 x 85.0

Also available in:

White colour - BFWD10614SIW

WASHER DRYER - BFWD8514SIS



8/5
Kg

- Front Loading Washer Dryer - Silver Colour
- Washing Capacity 8 Kg / Drying Capacity 5 Kg
- Max. Spin Speed: 1,400 RPM
- Childproof Safety Lock
- Large LED Display
- Washing programs: 12 (Dry, Eco Dry, Air Wash, Wool, Down Jacket, Tub Clean, Cotton, Quick 15', Duvet, Delicate, Rinse + Spin, Spin)
- Variable Temperature (°C): Cold / 20 / 40 / 60 / 90°C
- Drum Capacity 58 liters
- Big Door
- BLDC Inverter motor
- Voltage 220-240 V / 50 Hz
- Product Dimension (W x D x H in cm): 59.5 x 60.0 x 85.0

Also available in:

White colour - BFWD8514SIW

WASHING MACHINE - BFWM1014SIS



10
Kg

- 10 Kg Front Loading Washing Machine
- Silver Colour
- Max. Spin Speed: 1,400 RPM
- Childproof Safety Lock
- LED Display
- Washing programs: 14 (Cotton, Eco, Sports, Duvet, Delicate, Baby Care, Steam, Mix, Quick 15, Rapid 42, Synthetic, Wool, Rinse + Spin, Spin
- Variable Temperature (°C): Cold / 20 / 40 / 60 / 90°C
- Drum Capacity 64 litres
- BLDC Invertor Motor
- Voltage 220-240 V / 50 Hz
- Product Dimension (W x D x H in cm): 59.5 x 60.0 x 85.0

Also available in:

White colour - BFWM1014SIW

WASHING MACHINE - BFWM814SIS



8
Kg

- 8 Kg Front Loading Washing Machine
- Silver Colour
- Max. Spin Speed: 1400 RPM
- Childproof Safety Lock
- LED Display
- Washing programs: 12 (Cotton, Eco, Sports, Wool / Handwash, Duvet, Mix, Synthetic, Baby Care, Quick 15, Rinse + Spin, Spin, Steam
- Variable Temperature (°C): Cold / 20 / 40 / 60 / 90°C
- Drum Capacity 51 litres
- BLDC Motor
- Voltage 220-240 V / 50 Hz
- Product Dimension (W x D x H in cm): 59.5 x 51.0 x 85.0

Also available in:

White colour - BFWM814SIW

WASHING MACHINE – BFWM714SIW



7
Kg

- 7 Kg Front Loading Washing Machine
- White Colour
- Max. Spin Speed: 1,400 RPM
- Childproof Safety Lock
- LED Display
- Washing programs: 12 (Cotton, Eco, Sports, Wool / Handwash, Duvet, Mix, Synthetic, Baby Care, Quick 15, Rinse + Spin, Spin, Steam)
- Variable Temperature (°C): Cold / 20 / 40 / 60 / 90°C
- Drum Capacity 46 litres
- BLDC Inverter Motor
- Voltage 220-240 V / 50 Hz
- Product Dimension (W x D x H in cm): 59.5 x 48.0 x 85.0

Also available in:

Silver colour - BFWM714SIS

BUILT-IN WASHER DRYER – BIWD8614VIW



8/6
Kg

- Built-in Front Loading Washer Dryer
- Washing Capacity 8Kg / Drying Capacity 6 Kg
- Max. Spin Speed: 1,400 RPM
- Energy Class: A
- Intelligent Washing System
- Anti-foam Control, Auto Balance System
- Overheating Control
- Load Detection
- Childproof Safety Lock
- LED Display
- Washing programs: 15 (Cotton Eco, Cotton, Cotton 20°C, Synthetics, Wool & Silk, Duvet, Mix, Rinse, Allergy Safe, Spin/ Drain, Rapid 12 min, Rapid 15 min, Fast 60' 60°C, Gentle Dry, Cotton Dry, Quick Wash & Dry, Cotton Wash & Dry)
- Digital screen: Washing process information
- Door Portable Diameter: 33cm
- Drum Capacity: 60 liters
- Noise Level dB(A): 64
- BLDC Motor
- Total Power: 2200 W
- Voltage 220-240 V / 50 Hz
- Product Dimension (W X D X H in cm): 59.7 x 58.2 x 84.5

Built
-in

DISHWASHER



DISHWASHER 15 PLACE SETTING - BFDW158SX



- Free Standing Dishwasher
- Stainless Steel Finish
- 15 place settings
- LED display
- 8 programs: Prewash 45°C, Hybrid 60°C, Super 60°C, Speed 55°C, ECO 50°C, Hygiene 70°C, Glass 40°C, Intensive 65°C
- 6 Button Control
- Functions: On/Off, Delay timer, Machine Care, Intensive, Start / Pause
- Energy Efficiency Class: A++ (E)
- 1 ~ 24 Hours delay start
- Noise Level: 46 dBA
- Overflow Safety Switch
- Child Lock
- Adjustable Upper Basket
- 3 Layer Rack
- Total Power: 1920 W
- Voltage: 220 - 240 V / 50 Hz
- Product Dimension (W x D x H in cm): 59.8 x 59.8 x 84.5

Also available in:

White colour - BFDW158SW



DISHWASHER 13 PLACE SETTING - BFDW138SX



- Free Standing Dishwasher
- Stainless Steel Finish
- 13 place settings
- LED display
- 8 programs: Prewash 45°C, Hybrid 60°C, Super 60°C, Speed 55°C, ECO 50°C, Hygiene 70°C, Glass 40°C, Intensive 65°C
- 6 Button Control
- Functions: On/Off, Delay timer, Machine Care, Intensive, Start / Pause
- Energy Efficiency Class: A++ (E)
- 1 ~ 24 Hours delay start
- Noise Level: 46 dBA
- Overflow Safety Switch
- Child Lock
- Adjustable Upper Basket
- Total Power: 1920 W
- Voltage: 220 - 240 V / 50 Hz
- Product Dimension (W x D x H in cm): 59.8 x 59.8 x 84.5

Also available in:

White colour - BFDW138SW



BUILT-IN INTEGRATED DISHWASHER – BDW156GFIX



Built
-in

- Fully Integrated Built – in Dishwasher
- Stainless Steel Control Panel
- Electronic control with LED display
- 15 place settings
- 6 programs: Intensive/ ECO/ Light/ 66min./ Rapid/ Pre-Rinse
- Energy Efficiency Class: A++ (E)
- Drying Efficiency Class: A
- Delay Start: 3/6/9 Hour's
- Half Load
- Handle and front panel shown are not included
- Noise Level: 49 dBA
- Total Power: 1920 W
- Voltage: 220 ~ 240 V / 50 Hz
- Product Dimension (W x D x H in cm): 60.0 x 60.0 x 84.5
- Cut-Out Dimension (W x D x H in cm): 60.0 x 60.0 x 85.0



BUILT-IN INTEGRATED DISHWASHER – BDW126GFIX



Built
-in

- Fully Integrated Built – in Dishwasher
- Black Control Panel
- Electronic control with LED display
- 12 place settings
- 6 programs: Intensive/ ECO/ Light/ 66min./ Rapid/ Pre-Rinse
- Energy Efficiency Class: A++ (E)
- Drying Efficiency Class: A
- Delay Start: 3/6/9 Hour's
- Half Load
- Noise Level: 49 dBA
- Total Power: 1920 W
- Voltage: 220 ~ 240 V / 50 Hz
- Product Dimension (W x D x H in cm): 60.0 x 60.0 x 84.5
- Cut-Out Dimension (W x D x H in cm): 60.0 x 60.0 x 85.0



BUILT-IN SEMI-INTEGRATED DISHWASHER – BDW126SIGMX



- Built-In Semi-Integrated Dishwasher
- Stainless Steel Control Panel
- Electronic control with LED display
- 12 place setting
- 6 programs: Intensive/ ECO/ Light/ 67min./ Rapid/ Pre-Rinse
- Energy Efficiency Class: A++ (E)
- Drying Efficiency Class: A
- 3/6/9 Hour delay start
- Half Load
- Noise Level: 49 dBA
- Power: 1920 W
- Voltage: 220 ~ 240 V / 50 Hz
- Product Dimension (W x D x H in cm): 60.0 x 60.0 x 84.5
- Cut-Out Dimension (W x D x H in cm): 60.0 x 60.0 x 85.0

**Built
-in**

REFRIGERATOR



REFRIGERATOR – BRTF420SNFS



- Free Standing Refrigerator with Top Mount Freezer
- Silver Colour
- Total No Frost Technology
- Total Effective Capacity (L): 338
- Refrigerator Effective Capacity (L): 259
- Freezer Effective Capacity (L): 79
- Door Material: Metal
- Climate Class: ST / T
- Interior Lamp
- Refrigerant R600a
- Voltage: 220 ~ 240 V / 50 Hz
- Product Dimension (W x D x H in cm): 59.5 x 65.5 x 170.0

Also available in:

White colour - BRTF420SNFW



REFRIGERATOR – BRTF495SNFS



- Free Standing Refrigerator with Top Mount Freezer
- Silver Colour
- Total No Frost Technology
- Total Effective Capacity (L): 410
- Refrigerator Effective Capacity (L): 313
- Freezer Effective Capacity (L): 97
- Door Material: Metal
- Climate Class: ST / T
- Interior Lamp
- Refrigerant R600a
- Voltage: 220 ~ 240 V / 50 Hz
- Product Dimension (W x D x H in cm): 72.0 x 65.5 x 176.0

Also available in:

White colour - BRTF495SNFW



REFRIGERATOR – BRTF515HNFx



- Free Standing Refrigerator with Top Mount Freezer
- Silver Finish
- Electronic Temperature Control
- LED Display on Door
- Total No Frost Technology
- Interior LED Light
- Tempered Glass Shelves
- Fresh Zone With Easy Slide Food Drawer
- Large Crisper Drawer with Humidity Controller
- Crystal Door Racks
- Recessed Door Handle
- Total Net Capacity: 480 Liters
- Fridge Net Capacity: 370 Liters
- Freezer Net Capacity: 110 Liters
- Invertor Compressor
- Voltage: 220 ~ 240 V / 50 Hz
- Product Dimension (W x D x H in cm): 79.0 x 68.0 x 178.0



REFRIGERATOR – BRTF570HNFX



- Free Standing Refrigerator with Top Mount Freezer
- Silver Finish
- Electronic Temperature control
- LED Display on Door
- Total No Frost Technology
- Interior LED Light
- Tempered Glass Shelves
- Fresh Zone With Easy Slide Food Drawer
- Large Crisper Drawer with Humidity Controller
- Crystal Door Racks
- Recessed Door Handle
- Total Net Capacity: 528 Liters
- Fridge Net Capacity: 411 Liters
- Freezer Net Capacity: 117 Liters
- Invertor Compressor
- Voltage: 220 ~ 240 V / 50 Hz
- Product Dimension (W x D x H in cm): 79.0 x 62.0 x 184.0



REFRIGERATOR – BRBF489SNFS



- Free Standing Refrigerator with Bottom Mount Freezer
- Silver Colour
- Bottom Freezer
- Total No Frost Technology
- Total Effective Capacity (L): 344
- Refrigerator Effective Capacity (L): 235
- Freezer Effective Capacity (L): 109
- Door Material: Metal
- Climate Class: ST / T
- Interior Lamp
- Refrigerant R600a
- Voltage: 220 ~ 240 V / 50 Hz
- Product Dimension (W x D x H in cm): 60.0 x 65.8 x 195.0

Also available in:

White colour - BRTF489SNFW



REFRIGERATOR – BFRF513SNFX



- Free Standing French Door Refrigerator
- Total No Frost
- Multi Air Flow
- Super Freezing And Fast Cooling Functions
- Interior LED Display
- Door Opening Alarm Functions
- Integrated Door Handles
- 2 Glass Shelves Each For Fridge
- 2 Drawer Each For Fridge And Freezer
- 6 Door Shelves Each On Fridge Door
- Adjustable Legs With 4 Wheels
- Total Net Capacity (L): 495
- Refrigerator Net Capacity (L): 351
- Freezer Net Capacity (L): 144
- Energy Class: A+ / F
- Climate Type: T
- Invertor Compressor
- Power Voltage: 220 ~ 240 V / 50 Hz
- Refrigerant: R600a / 75g
- Product Dimension (W x D x H in cm) - 75.9 X 79.2 x 178.0



REFRIGERATOR – BRCD510SNFS



- Free Standing Side by Side Multi-Door Refrigerator
- Silver Colour
- Total No Frost Technology
- Total Effective Capacity (L): 500
- Refrigerator Effective Capacity (L): 338
- Freezer Effective Capacity (L): 162
- Door Material: Metal
- Climate Class: SN / ST / T
- Interior Lamp
- Recessed Handle
- Refrigerant R600a
- Voltage: 220 ~ 240 V / 50 Hz
- Product Dimension (W x D x H in cm): 83.3 x 66.0 x 189.0

Also available in:

Glass door version - BRCD510SNFG



REFRIGERATOR – BRSBS545SNFS



- Free Standing Side by Side Refrigerator
- Silver Colour
- Total No Frost Technology
- Total Effective Capacity (L): 533
- Refrigerator Effective Capacity (L): 330
- Freezer Effective Capacity (L): 203
- Door Material: Metal
- Climate Class: SN / ST / T
- Interior Lamp
- Recessed Handle
- Refrigerant R600a
- Voltage: 220 ~ 240 V / 50 Hz
- Product Dimension (W x D x H in cm): 91.3 x 66.0 x 181.0

Also available in:
Glass door version - BRSBS545NFG



REFRIGERATOR – BFRF606SNFX



- Free Standing Side By Side Refrigerator
- Total No Frost
- Multi Air Flow
- Super Freezing And Fast Cooling Functions
- Interior LED Display
- Door Opening Alarm Functions
- Electronic Display
- Integrated Door Handles
- 4 Glass Shelves Each For Fridge & Freezer
- 1 Drawer Each For Fridge & Freezer
- 4 Door Shelves Each On Fridge / Freezer Door
- Adjustable Legs With 4 Wheels
- Total Net Capacity (L): 570
- Refrigerator Net Capacity (L): 377
- Freezer Net Capacity (L): 210
- Energy Class: A+
- Climate Type: T
- Power Voltage: 220 ~ 240 V / 50 Hz
- Refrigerant: R600a / 75g
- Product Dimension (W X D X H in cm)- 91.1 X 70.6 X 178.0



REFRIGERATOR – BFRF606SDINFX



- Free Standing Side By Side Refrigerator With Automatic Ice Maker & Water Dispenser
- Total No Frost
- Multi Air Flow
- Super Freezing And Fast Cooling Functions
- Interior LED Display
- Door Opening Alarm Functions
- Electronic Display
- Integrated Door Handles
- 4 Glass Shelves Each For Fridge & Freezer
- 1 Drawer Each For Fridge & Freezer
- 4 Door Shelves Each On Fridge / Freezer Door
- Adjustable Legs With 4 Wheels
- Total Net Capacity (L): 541
- Refrigerator Net Capacity (L): 372
- Freezer Net Capacity (L): 169
- Energy Class: A+
- Climate Type: T
- Invertor Compressor
- Power Voltage: 220 ~ 240 V / 50 Hz
- Refrigerant: R600a / 75g
- Product Dimension (W X D X H in cm) - 91.1 X 70.6 X 178.0



REFRIGERATOR – BSFF600SMX



- Dual Mode (Fridge / Freezer)
- Stainless Steel Finish
- Total No Frost Cooling Technology
- Electronic Cooling Control
- Stainless Steel Handle
- Inverter Compressor
- Net Capacity (L): 590
- Climate Type: N/SN/T
- Refrigerant: R600a
- Power Voltage: 220 ~ 240 V / 50Hz
- Product Dimension (W x D x H) in cm) - 83.0 x 73.3 x 194.0



UPRIGHT FREEZER – BFF371VSDX



- Free Standing Upright Freezer
- Stainless Steel Finish
- No Frost Cooling Technology
- Energy Class: A
- Door Alarm
- Electronic Control
- Ice Tray
- Transparent Accessories
- Freezer Shield
- Zero Clearance
- Reversible Doors
- Total Gross Capacity (L): 307
- Total Net Capacity (L): 280
- Freezer Net Capacity (L): 280
- Door Material: Metal
- Climate Class: ST / T
- Refrigerant R600a
- Voltage: 220 ~ 240 V / 50 Hz
- Product Dimension (W x D x H in cm): 59.5 x 65.0 x 186.0



UPRIGHT REFRIGERATOR – BFR375VSDX



- Free Standing Upright Fridge
- Stainless Steel Finish
- No Frost Cooling Technology
- Energy Class: A+
- Door Alarm
- Electronic Control
- Humidity Controlled Crisper
- Adjustable Door Racks
- Door Shelves
- Egg Holders
- Transparent Accessories
- Zero Clearance
- Reversible Doors
- LED Lighting
- Total Gross Capacity (L): 404
- Total Net Capacity (L): 380
- Fridge Net Capacity (L): 380
- Door Material: Metal
- Climate Class: ST / T
- Refrigerant R600a
- Voltage: 220 ~ 240 V / 50 Hz
- Product Dimension (W x D x H in cm): 59.5 x 65.0 x 186.0

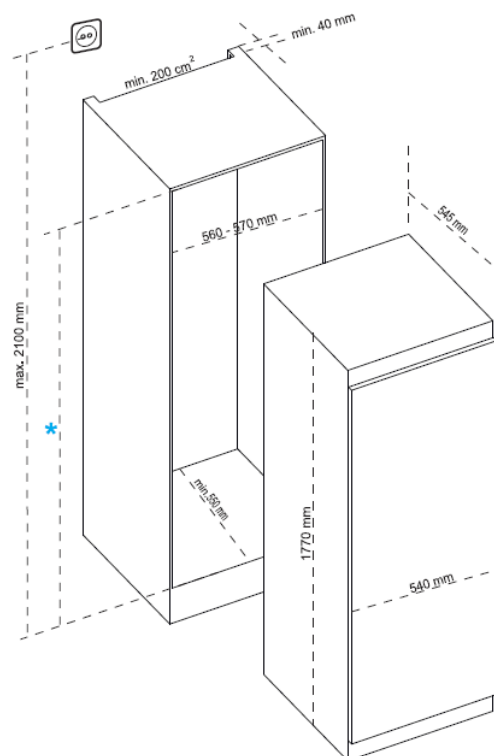


BUILT-IN FREEZER - BBI200VFSD



Built
-in

- Built-in Single Door Freezer
- Push Button LED Display
- No Frost Cooling Technology
- 6 Freezer Baskets
- 2 Flaps
- Climate Class: T
- Energy Class: F
- Star Rating: 4
- Noise Level (dBA): 40
- Interior LED Light
- Sliding Door
- Reversible Door
- Refrigerate: R600a
- Net Freezer Capacity: 197 Liters
- Total Net Capacity: 197 Liters
- Voltage: 220 ~ 240 V / 50 Hz
- Product Dimension (W x D x H in cm): 54.0 x 54.5 x 177.0
- Cut-out Dimension ((W x D x H in cm): 56.0 – 57.0 x 55.0 x 177.0 – 178.0

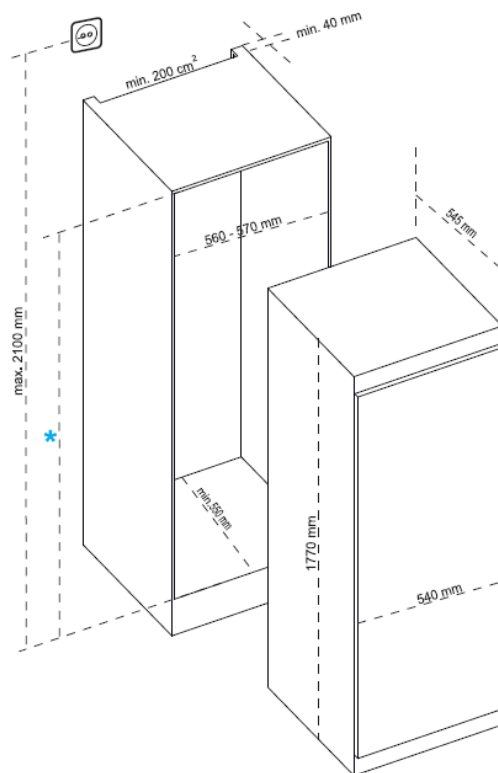


BUILT-IN REFRIGERATOR - BBI300VRSD



Built
-in

- Built-in Single Door Fridge
- Push Button LED Display
- Turbo Fan Air Cooling
- Air Duct
- Auto Defrosting
- Safety Glass Shelves
- Crispers, Glass Shelf on Crisper
- Humidity Controller
- Dairy Rack, Egg Holder, Bottle Shelf
- Tempered Transparent Shelves
- Climate Class: T
- Energy Class: F
- Noise Level (dBA): 39
- Interior LED Light
- Sliding Door
- Reversible Door
- Refrigerant: R600a
- Net Fridge Capacity: 294 Liters
- Total Net Capacity: 294 Liters
- Voltage: 220 ~ 240 V / 50 Hz
- Product Dimension (W x D x H in cm): 54.0 x 54.5 x 177.0
- Cut-out Dimension ((W x D x H in cm): 56.0 – 57.0 x 55.0 x 177.0 – 178.0

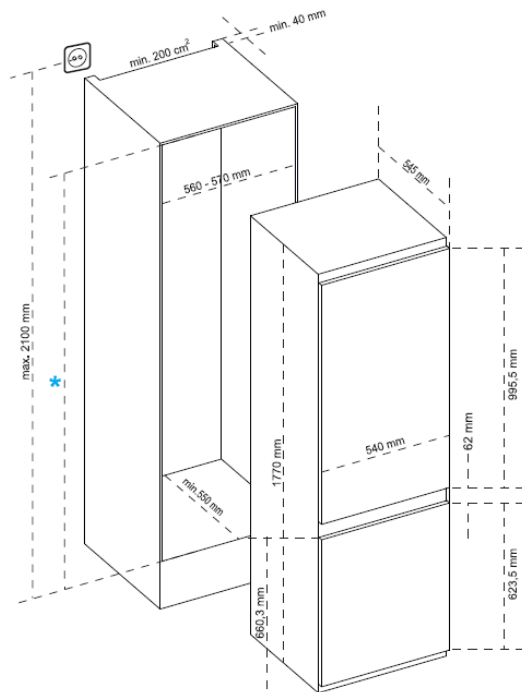


BUILT-IN REFRIGERATOR - BBI280VNF



Built-in

- Built-in Refrigerator with Bottom Freezer
- Frost Free Technology
- Turbo Fan Air Cooling
- Ice Box, Crisper, Glass Shelf on Crisper
- Auto Defrosting
- Humidity Controller
- Interior LED Light
- Dairy Rack, Egg Holder, Bottle Shelf
- Tempered Transparent Shelves
- Reversible Door
- Climate Class: T
- Energy Class: E
- Refrigerate: R600a
- Net Fridge Capacity: 180 Liters
- Net Freezer Capacity: 63 Liters
- Total Net Capacity: 243 Liters
- Voltage: 220 ~ 240 V / 50 Hz
- Product Dimension (W x D x H in cm): 54.0 x 54.5 x 177.0
- Cut-out Dimension ((W x D x H in cm): 56.0 – 57.0 x 55.0 x 177.0 – 178.0



COOKER & OVEN



GAS COOKER – BGC460MRCTX



- 60 cm Free Standing Gas Cooker
- Stainless Steel Finish
- 4 High Efficiency Gas Burner including 1 WOK Burner
- Automatic Ignition
- Heavy-Duty Cast-Iron Pan Supports
- Safety Valves with Flame Failure Safety Device(FFD) on Gas Hob
- Glass Top Lid
- Gas Oven and Gas Grill with Automatic Ignition
- 51 L Oven Capacity
- Thermostat
- Digital Clock
- Telescopic Guides, Lateral Grids
- Oven Light
- Easy to Clean Enameled Cavity
- Removable Double Glass Door
- Accessories: 1x Enameled Tray, 1x Chrome Wire Grid
- Push Pull Bottom Drawer
- LPG / Natural Gas conversion Kit
- Energy Class A
- Max. Hob Power: Gas 8500 W
- Oven Max. Power: Gas 1600 W
- Grill Max. Power: Gas 2750 W
- Voltage: 220 ~ 240 V / 50 Hz
- Product Dimension (W x D x H in cm): 60.0 x 60.0 x 89.0

GAS COOKER – BGC460MCTX



- 60 cm Free Standing Gas Cooker
- Stainless Steel Finish with Black Glass Door
- 4 Gas Burner
- Flame Failure Safety Device (FFD) on Gas Hob and Oven
- Heavy-Duty Cast-Iron Pan Supports
- Gas Grill and Gas Oven with two Separate knob for control
- 59 L Oven Capacity
- Inox Painted Control Knob and Aluminium Handle
- Button Ignition, Minute Minder, Oven Light
- Glass Top Lid
- Easy to Clean Enameled Cavity
- Double glass door
- Full Inner Glass without Frame and Easy to Remove
- Accessories: 1x Enameled Tray, 1x Chrome Wire Grid
- Turnspit (Rotisserie)
- LPG / Natural Gas conversion Kit
- Hob Max. Power: Gas 7250 W
- Oven/Grill Max. Power: Gas 2500 W
- Voltage: 220 ~ 240 V / 50 Hz
- Product Dimension (W x D x H in cm): 59.8 x 61.0 x 86.5

GAS COOKER – BGC590MRPROX



- 90 cm Free Standing Gas Cooker
- Stainless Steel Finish
- 5 High Efficiency Gas Burner including 1 Wok Burner
- Heavy-Duty Cast-Iron Pan Supports
- Safety Valves with Flame Failure Safety Device(FFD) on Gas Hob
- Backsplash
- Gas Oven and Gas Grill with Automatic Ignition
- 114 L Oven Capacity
- Automatic Ignition, Digital Clock, Oven Light
- Easy to Clean Enameled Cavity
- Removable Double Glass Door
- Accessories: 1x Enameled Tray, 1x Chrome Wire Grid
- Push Pull Bottom Drawer
- LPG / Natural Gas conversion Kit
- Energy Class A
- Max. Gas Power: Gas 11500 W
- Oven Max. Power: Gas 4000 W
- Grill Max. Power: Electric 2850 W
- Voltage: 220 ~ 240 V / 50 Hz
- Product Dimension (W x D x H in cm): 90.0 x 60.0 x 89.0

GAS COOKER – BGC590MRCTX



- 90 cm Free Standing Gas Cooker
- Stainless Steel Finish
- 5 High Efficiency Gas Burner including 1 WOK Burner
- Heavy-Duty Cast-Iron Pan Supports
- Safety Valves with Flame Failure Safety Device (FFD) on Gas Hob and Oven
- Glass Top Lid
- Gas Oven and Gas Grill with Automatic Ignition
- 114 L Oven Capacity
- Automatic Ignition, Digital Clock, Oven Light
- Easy to Clean Enameled Cavity
- Removable Double Glass Door
- Accessories: 1x Enameled Tray, 1x Chrome Wire Grid
- Push Pull Bottom Drawer
- LPG / Natural Gas conversion Kit
- Energy Class A
- Max. Gas Power: Gas 11500 W
- Oven Max. Power: Gas 4000 W
- Grill Max. Power: Electric 2850 W
- Voltage: 220 ~ 240 V / 50 Hz
- Product Dimension (W x D x H in cm): 90.0 x 60.0 x 89.0

GAS COOKER – BGC590FDCTX



- 90 cm Free Standing Gas Cooker
- Stainless Steel Finish with Black Glass Door
- 5 Gas Burner including WOK Burner (Sabaf)
- Flame Failure Safety Device (FFD) on Gas Hob, Burner, Oven
- Cast Iron Pan Supports
- Gas Grill And Gas Oven With Two Separate Knob For Control
- Safety & Thermostat for Oven (CLOSED DOOR GRILLING)
- Digital Timer, Silver Control Knob, Aluminum Handle
- Double Glass Door
- Glass Top Lid with Aluminum Profile
- Double Turbo Fans
- Push Button Ignition for Hob & Oven
- Oven Light
- Easy to Clean Enameled Cavity
- Full Inner Glass without Frame and Easy to Remove
- Accessories: 1x Enameled Tray, 1x Chrome Wire Grid
- Turnspit (Rotisserie)
- LPG / Natural Gas conversion Kit
- Voltage: 220 ~ 240 V / 50 Hz
- Product Dimension (W x D x H in cm): 90.0 x 62.7 x 94.9

GAS COOKER – BGC590FCTX



- 90 cm Free Standing Gas Cooker
- Stainless Steel Finish with Black Glass Door
- 5 Gas Burner including Wok Burner (Sabaf)
- Flame Failure Safety Device (FFD) on Gas Hob
- Cast Iron Pan Supports
- Gas Grill And Gas Oven With Two Separate Knob For Control
- Flame Failure Safety Device (FFD) on Gas Burner and Oven
- Safety & Thermostat for Oven (Closed Door Grilling)
- Silver Control Knob, Minute Minder, Aluminum Handle
- Double Glass Door
- Glass Top Lid
- Push Button Ignition for Hob & Oven
- Oven Light
- Easy to Clean Enameled Cavity
- Full Inner Glass without Frame and Easy to Remove
- Accessories: 1x Enameled Tray, 1x Chrome Wire Grid
- Turnspit (Rotisserie)
- LPG / Natural Gas conversion Kit
- Voltage: 220 ~ 240 V / 50 Hz
- Product Dimension (W x D x H in cm): 90.0 x 62.7 x 94.9

GAS COOKER – BGC590MCTX



- 90 cm Free Standing Gas Cooker
- Stainless Steel Finish with Black Glass Door
- 5 Gas Burner, Flame Failure Safety Device (FFD) on Gas Hob and Oven
- Cast Iron Pan Supports
- Gas Grill and Gas Oven with two Separate knob for control
- 102 L Oven Capacity
- Inox Painted Control Knob, Aluminium Handle
- Auto Ignition, Minute Minder, Oven Light
- Easy to Clean Enameled Cavity
- Double Glass Door, Glass Top Lid
- Full Inner Glass without Frame and Easy to Remove
- Accessories: 1x Enameled Tray, 1x Chrome Wire Grid
- Turnspit (Rotisserie)
- LPG / Natural Gas conversion Kit
- Hob Max. Power: Gas 10750 W
- Oven Max. Power: Gas 4000 W
- Grill Max. Power: Gas 2700 W
- Voltage: 220 ~ 240 V / 50 Hz
- Product Dimension (W x D x H in cm): 89.8 x 60.1 x 86.0

ELECTRIC COOKER – BEC460DX



- 60 cm Free Standing Electric Cooker
- Top Black Vitro-ceramic Glass with Stainless Steel Frame
- Stainless Steel Finish
- Black Glass Oven Door
- Stainless Steel Drawer
- Inox Painted Control Knob, Aluminum Handle, Digital Timers
- 4 Vitro Ceramic Zones
- 2 X 180mm Ø: 1200 W Hi- Light Heaters
- 2 X 140mm Ø: 1700W Hi-Light Heaters
- Electric Oven With 6 Cooking Functions
- 60 L Oven Capacity
- Easy to clean Enameled Cavity
- Removable Double Glass Oven Door
- Accessories: 1x Enameled Tray and 1x Chrome Wire Grid
- Turnspit (Rotisserie)
- Hob Max. Power: 5800 W
- Max. Oven Power: 2200 W
- Voltage: 220 ~ 240 V / 50 Hz
- Product Dimension (W x D x H in cm): 59.8 61.0 x 86.5

ELECTRIC COOKER – BEC590DX



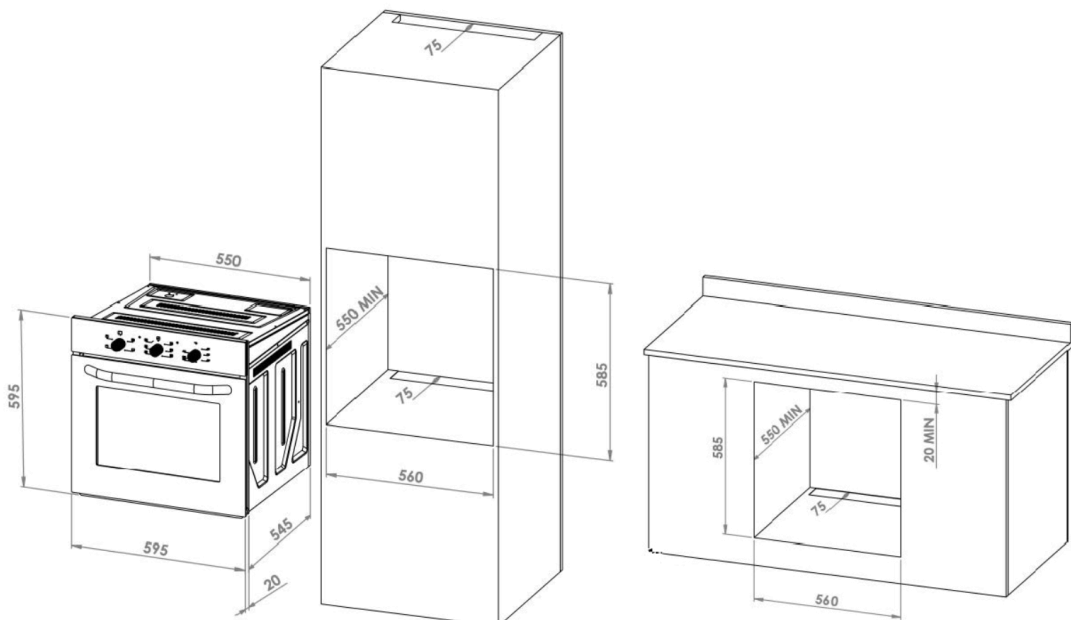
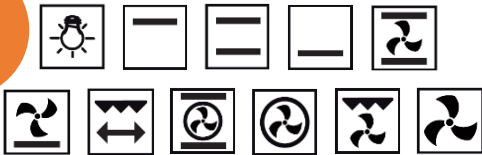
- 90 cm Free Standing Electric Cooker
- Top Black Vitro-ceramic Glass with Stainless Steel Frame
- Stainless Steel Finish
- Black Glass Oven Door
- Stainless Steel Drawer
- Aluminum Handle, Inox Painted Control Knob, Digital Timers
- 5 Vitro Ceramic Zones
- 2x 140mm Ø: 1700 W Hi-Light Heaters
- 1x 180mm Ø: 1200 W Hi- Light Heaters
- 1x 120mm Ø – 180mm Ø: 700 W – 1700W Double Circuit Cook Zone
- 1x 140mm Ø – 250mm Ø: 1200 W – 1800W Double Oval Cook Zone
- Electric Oven with 7 Cooking Functions
- 105 L Oven Capacity
- Easy to clean Enameled Cavity
- Double Glass Oven Door
- Full inner glass without frame and easy removal
- Accessories: 1x Deep Enameled Tray and 1x Chrome Wire Grid
- Turnspit (Rotisserie)
- Hob Max. Power: 7600 W
- Max. Oven Power: 3500 W
- Voltage: 220 ~ 240 V / 50 Hz
- Product Dimension (W x D x H in cm): 89.8 x 60.1 x 86.0

BUILT-IN ELECTRIC OVEN – BOE611LEB



- 60 cm Built-in Electric Multifunction Oven
- Black Crystal Control Panel and Door Finish
- 11 Cooking Functions
- 66 L Oven Capacity
- Full Touch Control Panel
- Electronic Thermostat for perfect cooking temperature
- Tangential Cooling Fan
- Aluminum Handle
- Plain Cavity Interior with Side Racks
- Clear glass door with Low-E inner glass
- Easy to Remove Inner Glass Door
- Accessories: 1x Enameled Tray, 1x Wire Grid
- Turnspit (Rotisserie)
- Max Temperature: 250°C
- Energy Class: A
- Total Power: 3300 W
- Voltage: 220 ~ 240 V / 50 Hz
- Product Dimension (W x D x H in cm): 59.5 x 57.1 x 59.5
- Cut-out Dimension (W x D x H in cm): 56.0 x 56.0 x 58.5

Built
-in

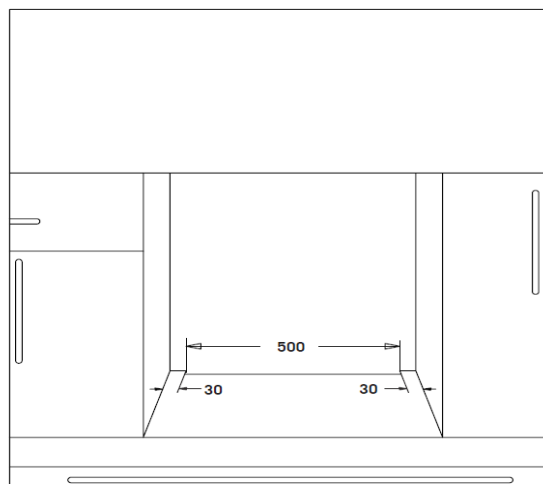
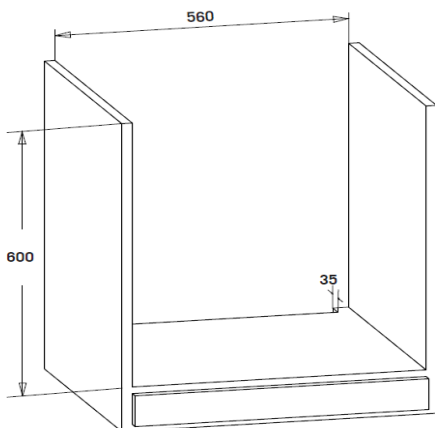
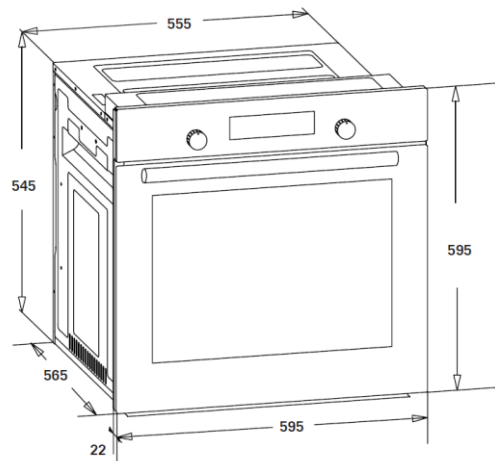
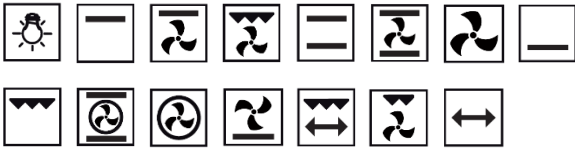


BUILT-IN ELECTRIC OVEN – BOE615TX



- 60 cm Built-in Multifunction Electric Oven
- Stainless Steel Control Panel and Door Finish
- 15 Cooking Functions
- 66 L Oven Capacity
- Full Touch Display
- Turbo Fan
- Auto Cooling Fan
- Aluminum Handle
- Easy to clean Enamelled Cavity
- Easy Detachable Side Racks
- Double glass door, Easy to Remove Inner Glass Door
- Accessories: 1x Enameled Tray, 1x Chrome Wire Grid
- Turnspit (Rotisserie)
- Auto Cut-Off Safety
- Voltage: 220 ~ 240 V / 50 Hz
- Product Dimension (W x D x H in cm): 59.5 x 56.5 x 59.5
- Cut-out Dimension (W x D x H in cm): 56.0 x 55.0 x 59.0

Built
-in

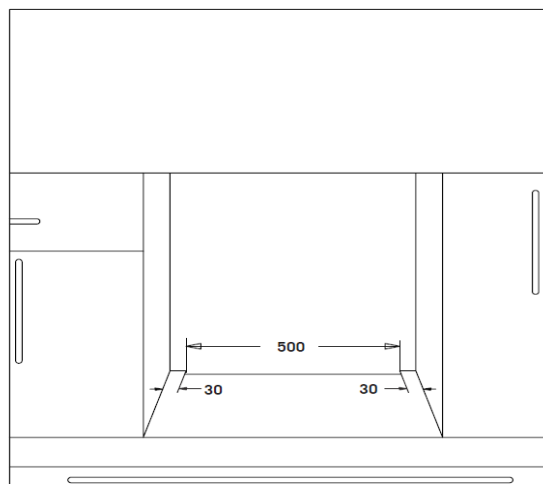
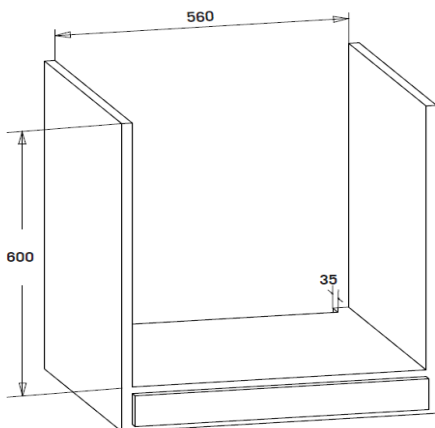
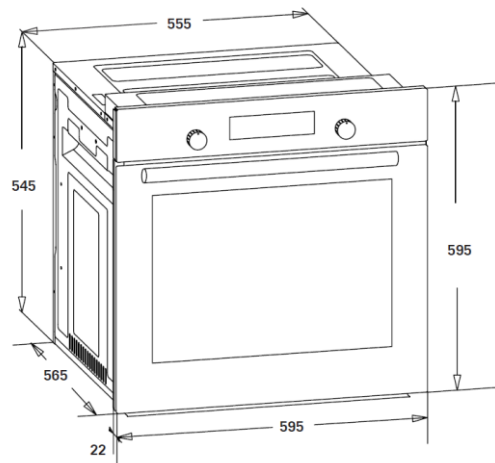
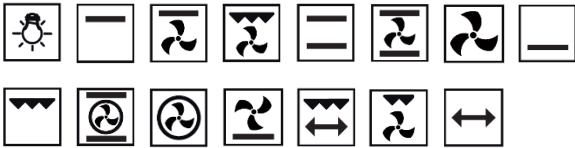


BUILT-IN ELECTRIC OVEN – BOE615TB



Built-in

- 60 cm Built-in Multifunction Electric Oven
- Black Tempered Glass Control Panel and Door Finish
- 15 Cooking Functions
- 66 L Oven Capacity
- Full Touch Display
- Turbo Fan
- Auto Cooling Fan
- Aluminum Handle
- Easy to clean Enamelled Cavity
- Easy Detachable Side Racks
- Double glass door, Easy to Remove Inner Glass Door
- Accessories: 1x Enamelled Tray, 1x Chrome Wire Grid
- Turnspit (Rotisserie)
- Auto Cut-Off Safety
- Voltage: 220 ~ 240 V / 50 Hz
- Product Dimension (W x D x H in cm): 59.5 x 56.5 x 59.5
- Cut-out Dimension (W x D x H in cm): 56.0 x 55.0 x 59.0

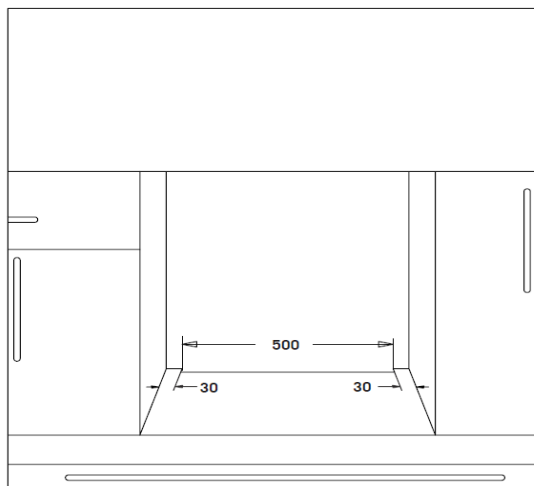
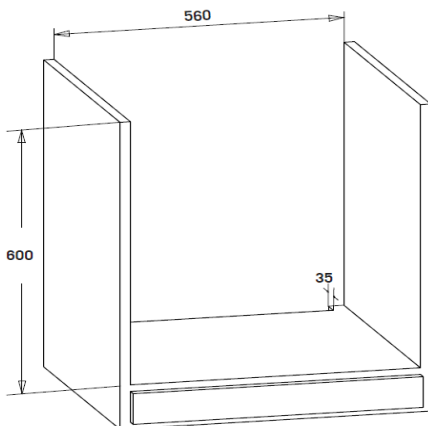
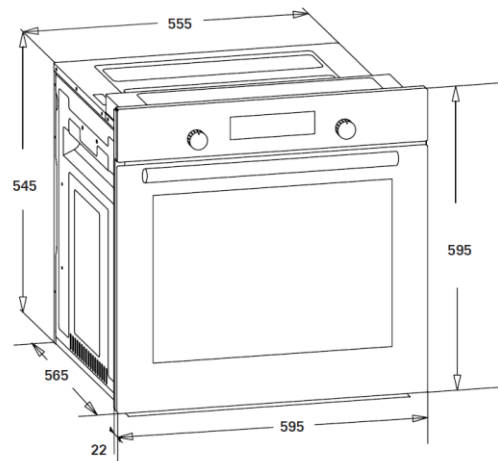


BUILT-IN ELECTRIC OVEN – BOE680DX



- 60cm Built-in Multifunction Electric Oven
- Stainless Steel Control Panel and Black Glass Front Door
- 7 Cooking Functions
- 66 L Oven Capacity
- Touch Control Digital Timer
- Turbo Fan
- Auto Cooling Fan
- Aluminum Handle
- Inox Painted Control Knob
- Easy to clean Enamelled Cavity
- Easy Detachable Side Racks
- Double glass door, Easy to Remove Inner Glass Door
- Accessories: 1x Enamelled Tray, 1x Chrome Wire Grid
- Turnspit (Rotisserie)
- Auto Cut-Off Safety
- Voltage: 220 ~ 240 V / 50 Hz
- Product Dimension (W x D x H in cm): 59.5 x 56.5 x 59.5
- Cut-out Dimension (W x D x H in cm): 56.0 x 55.0 x 59.0

Built-in

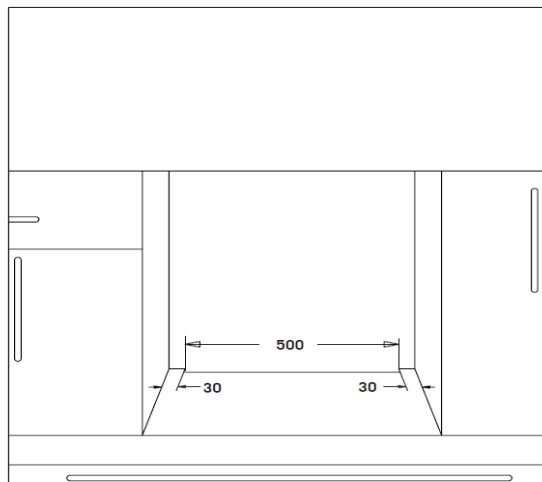
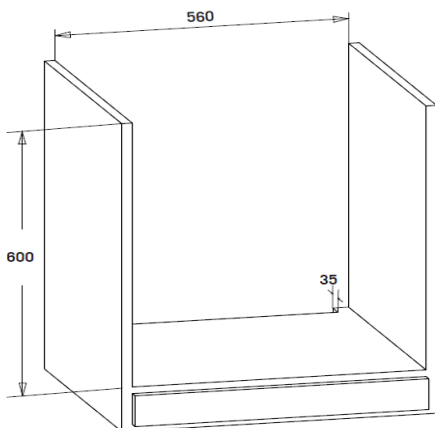
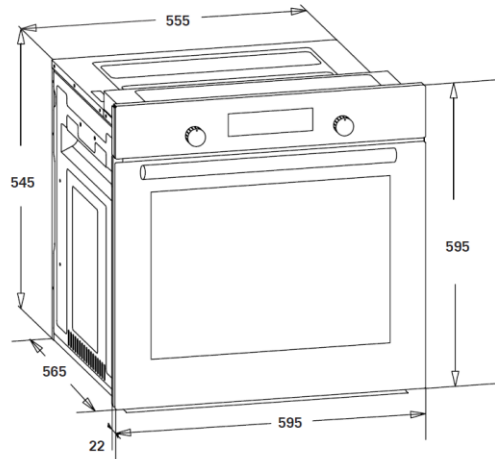


BUILT-IN ELECTRIC OVEN – BOE670X



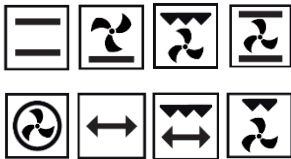
- 60 cm Built-in Multifunction Electric Oven
- Stainless Steel Control Panel and Black Glass Front Door
- 7 Cooking Functions
- 66 L Oven Capacity
- Mechanical Timer
- Turbo Fan
- Auto Cooling Fan
- Aluminum Handle
- Inox Painted Control Knob
- Easy to clean Enamelled Cavity
- Double glass door, Easy to Remove Inner Glass Door
- Accessories: 1x Enamelled Tray, 1x Chrome Wire Grid
- Turnspit (Rotisserie)
- Auto Cut-Off Safety
- Voltage: 220 ~ 240 V / 50 Hz
- Product Dimension (W x D x H in cm): 59.5 x 56.5 x 59.5
- Cut-out Dimension (W x D x H in cm): 56.0 x 55.0 x 59.0

Built
-in

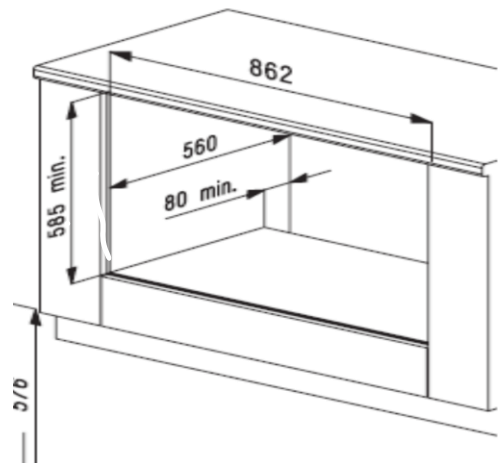
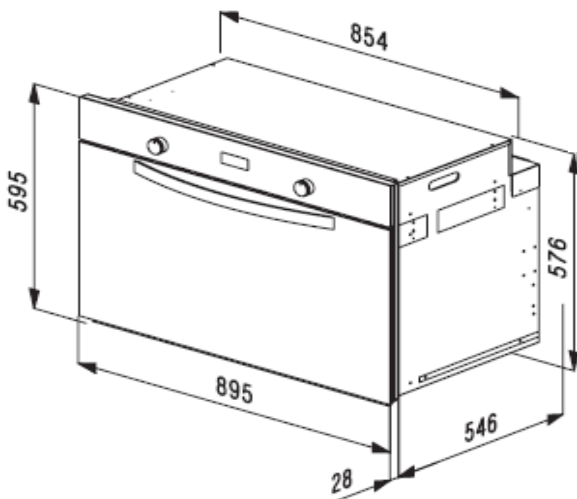


BUILT-IN ELECTRIC OVEN – BOE990LDX

Built
-in



- 90 cm Built-in Electric Multifunction Oven
- Stainless Steel Control Panel
- Double Stainless-Steel Band on the Door
- 9 Cooking Function
- 125 L Oven Capacity
- Touch Control Digital Control Programmer
- Double Fan for Perfect Cooking
- Aluminum Handle
- Aluminium finish Control Knob
- Plain Cavity Interior with Side Racks
- Clear glass door with LOW-E inner glass
- Easy to Remove Inner Glass Door
- Accessories: 1x Enameled Tray, 1x Wire Grid
- Turnspit (Rotisserie)
- Max Temperature: 250°C
- Energy Class: A
- Total Power: 3400 W
- Voltage: 220 ~ 240 V / 50 Hz
- Product Dimension (W x D x H in cm): 89.5 x 57.4 x 59.5
- Cut-out Dimension (W x D x H in cm): 86.2 x 56.0 58.5

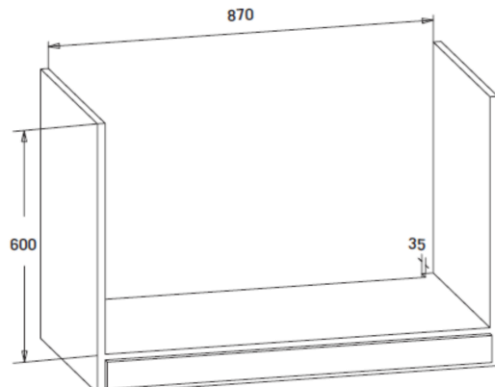
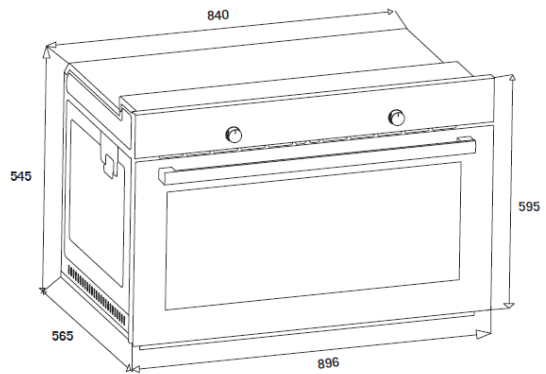
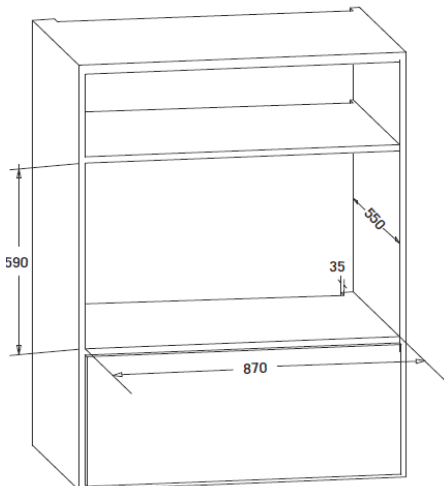


BUILT-IN ELECTRIC OVEN – BOE980DB

**Built
-in**



- 90cm Built-in Multifunction Electric Oven
- Black Tempered Glass Control Panel with Bottom Inox Stripe
- Black Tempered Glass Door with Bottom Inox Stripe
- 8 Cooking Functions
- 105 L Oven Capacity
- Touch Control Digital Timer
- Turbo Fan
- Auto Cooling
- Aluminium Handle
- Pop Up control Knobs
- Easy to clean Enameled Cavity
- Easy Detachable Side Racks
- Double glass door, Easy to Remove inner Gas Door
- Accessories: 1x Enameled Deep Tray, 1x Chrome plated Grid
- Turnspit (Rotisserie)
- Auto Cut off Safety
- Voltage: 220 ~ 240 V / 50 Hz
- Product Dimension (W x D x H in cm): 89.6 x 56.5 x 59.5
- Cut-out Dimension (W x D x H in cm): 87.0 x 55.0 x 59.0

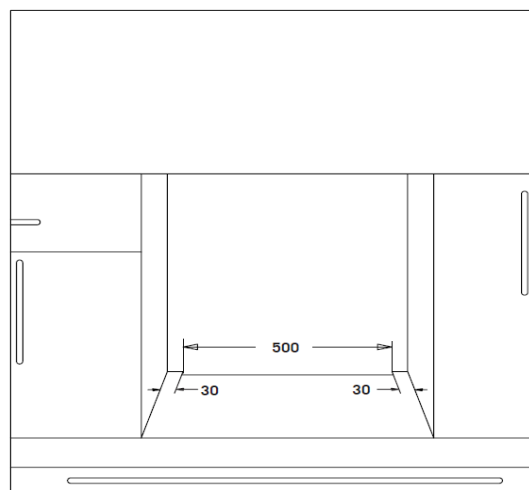
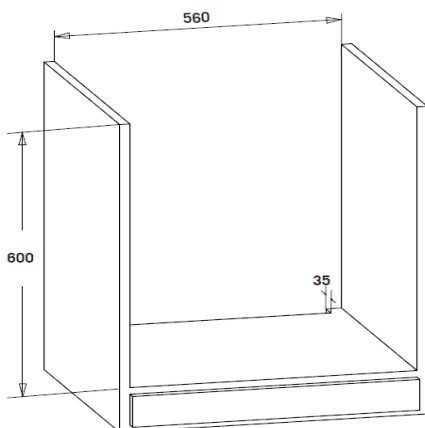
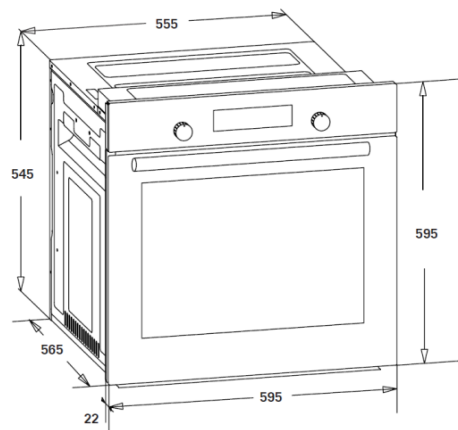


BUILT-IN ELECTRIC OVEN – BOG640X



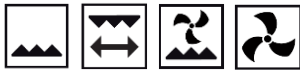
- 60 cm Built-in Gas Oven
- Stainless Steel Control Panel and Black Glass Door Finish
- 60 L Oven Capacity
- Mechanical Timer
- Auto Ignition
- Auto Cooling Fan
- Thermostatic Control
- Flame Safety Device (FFD) for Oven and Grill
- Aluminum Handle
- Inox Painted Control Knob
- Easy to clean Enamelled Cavity
- Double glass door, Easy to Remove Inner Glass Door
- Accessories: 1x Enamelled Tray, 1x Chrome Wire Grid
- Turnspit (Rotisserie)
- Voltage: 220 ~ 240 V / 50 Hz
- Product Dimension (W x D x H in cm): 59.5 x 56.5 x 59.5
- Cut-out Dimension (W x D x H in cm): 56.0 x 55.0 x 59.0

Built-in

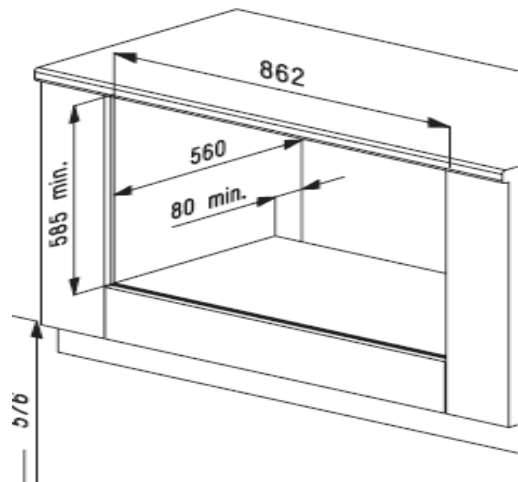
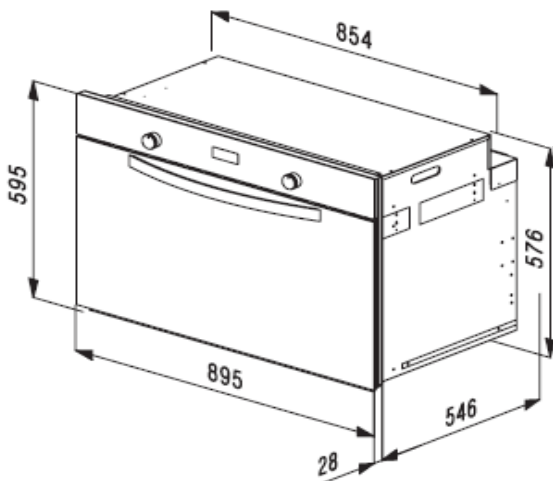


BUILT-IN GAS OVEN – BOG940LDX

**Built
-in**

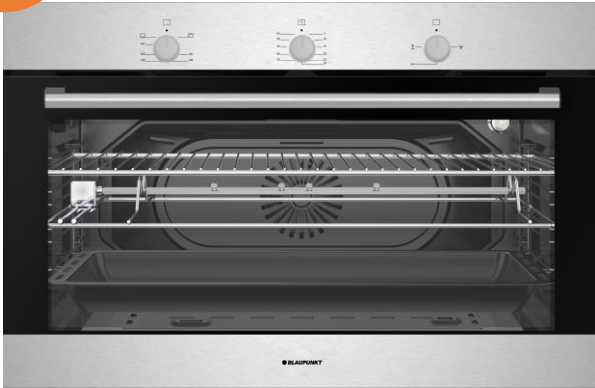


- 90 cm Built-in Gas Oven with Gas Grill
- Stainless Steel Control Panel
- Double Stainless-Steel Band on the Door
- 4 Cooking Function
- 125 L Oven Capacity
- Touch Control Digital Clock
- Double Fan for Perfect Cooking
- Aluminum Handle
- Aluminum Finished Control Knob
- Flame Safety Device (FFD) for Oven and Grill
- Plain Cavity Interior with Side Racks
- Clear glass door with LOW-E inner glass
- Easy to Remove Inner Glass Door
- Accessories: 1x Enameled Tray, 1x Wire Grid
- Turnspit (Rotisserie)
- Total Power: 70 W
- Voltage: 220 ~ 240 V / 50 Hz
- Product Dimension (W x D x H in cm): 89.5 x 57.4 x 59.5
- Cut-out Dimension (W x D x H in cm): 86.2 x 56.0 x 58.5

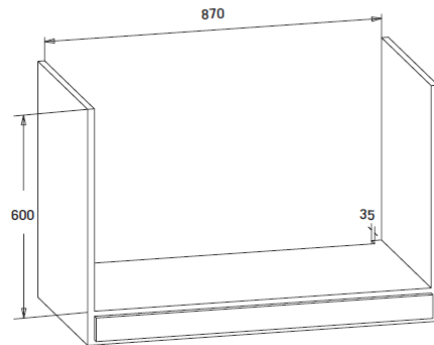
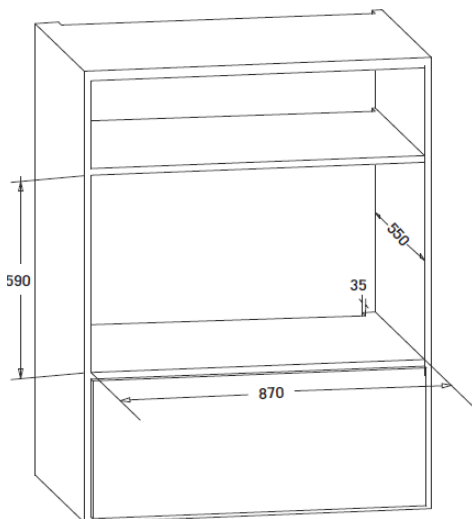
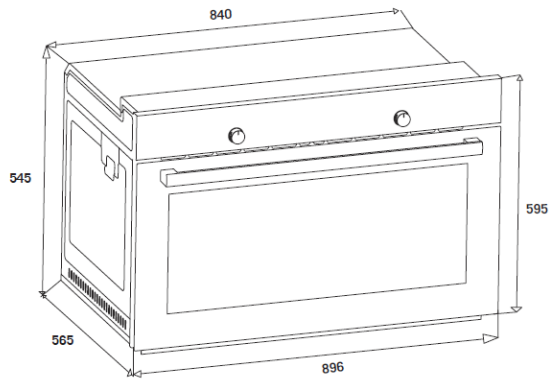


BUILT-IN GAS OVEN – BOG940X

**Built
-in**



- 90cm Built-in Gas Oven with Gas Grill
- Stainless Steel Control Panel
- Black Tempered Glass Door with Stainless Steel Stripe
- 105 L Oven Capacity
- Mechanical Timer
- Auto Ignition
- Auto Cooling Fan
- Thermostatic Control
- Flame Safety Device (FFD) for Oven and Grill
- Aluminium Handle
- Inox Painted Knob
- Easy to clean Enameled Cavity
- Easy Detachable Side Wire Racks
- Double glass door, Easy to Remove Inner Glass Door
- Turnspit (Rotisserie)
- Accessories: 1x Enameled Tray, 1x Chrome plated Grid and 1x Trivet Grid
- Voltage – 220 ~ 240 V / 50 Hz
- Product Dimension (W x D x H in cm): 89.6 x 56.5 x 59.5
- Cut-out Dimension (W x D x H in cm): 87.0 x 55.0 x 59.0



BUILT-IN MICROWAVE OVEN – BMOG25SMX25SMX

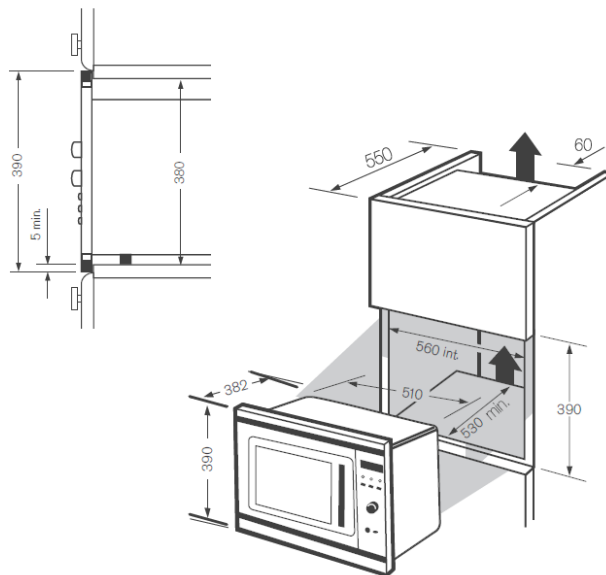


Built
-in



**ANTI-FINGERPRINT
STAINLESS STEEL**

- Built-in Microwave Oven with Grill function
- 25 L Capacity
- Stainless Steel Finish with Glass Door
- Push – Button door
- Electronic Control
- Main Control Button with Chrome Knob Control
- Express Cooking & Speedy Defrost
- End of Cooking Buzzer
- Child Safety Lock
- Auto Cooking
- Preset Function
- Stainless Steel Inner Cavity
- Internal Light
- Maximum Microwave Power 900W
- Maximum Grill Power 1000W
- Total Power: 1400 W
- Voltage: 220 ~ 240 V / 50 Hz
- Product Dimension (W x D x H in cm) – 59.5 x 39.5 x 39.0
- Cut – out Dimension (W x D x H in cm) – 56.0 x 53.0 x 38.0

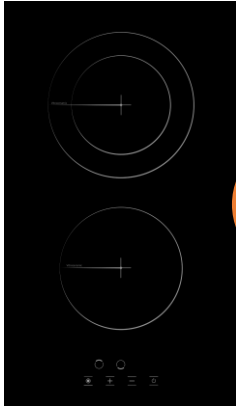


HOB



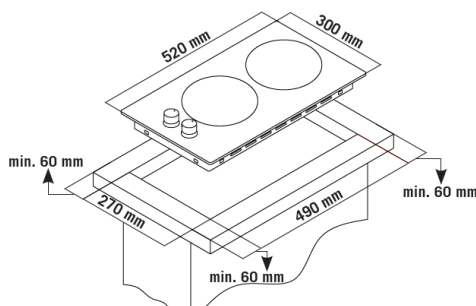
BUILT-IN VITRO CERAMIC

BVH320TB

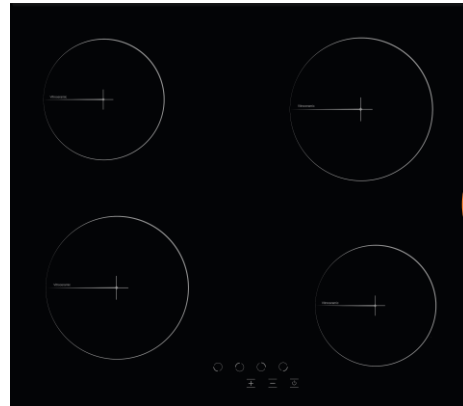


Built
-in

- 30cm Built-in Vitro Ceramic Hob
- Black Glass
- Front Led Illuminated Touch Control
- Child Safety Lock
- Automatic Safety Cut-Out
- On / Off Button with Hot Surface Alert Feature
- Easy Cleanable - High-Resistance Glass Surface
- 9 Power Levels on each Zones
- 2 Cooking Zones
- 1 x Ø 140 mm: 1200 W
- 1 x Ø 180 / 120 mm: 1700 W / 700 W
- Total Power: 2900 W
- Voltage: 220 ~ 240 V / 50 Hz
- Product Dimension (W x D in cm): 30.0 x 52.0
- Cut-out Dimension (W x D in cm): 27.0 x 49.0

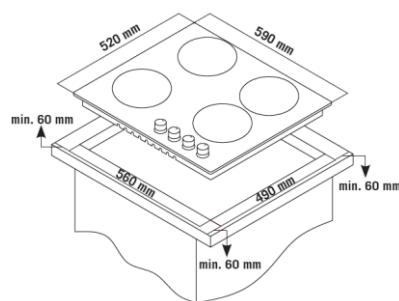


BVH640TB



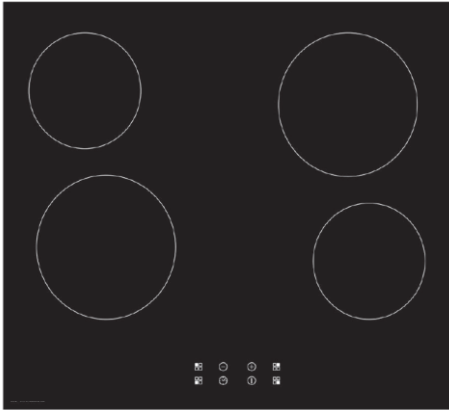
Built
-in

- 60cm Built-in Vitro Ceramic Hob
- Black Glass
- Front Led Illuminated Touch Control
- Child Safety Lock
- Automatic Safety Cut-Out
- On/ Off Button with Hot Surface Alert Feature
- Easy Cleanable - High-Resistance Glass Surface
- 9 Power Levels
- 4 Hi-Light Cooking Zones
- 2 x Ø 140 mm: 1200 W
- 2 x Ø 180 mm: 1800 W
- Total Power: 6000 W
- Voltage: 220 ~ 240 V / 50 Hz
- Product Dimension (W x D in cm): 59.0 x 52.0
- Cut-out Dimension (W x D in cm): 56.0 x 49.0

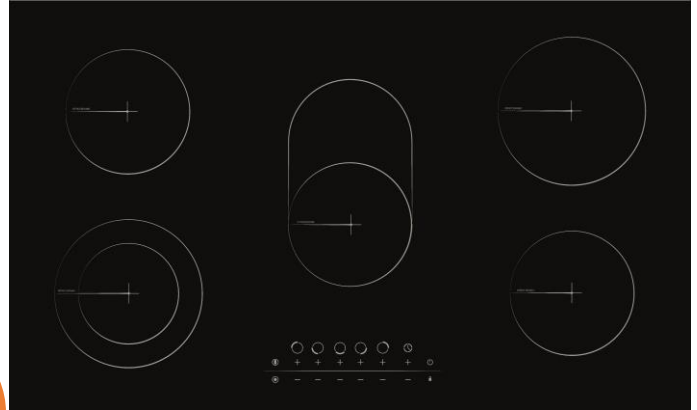


BUILT-IN VITRO CERAMIC

BVH640LTB

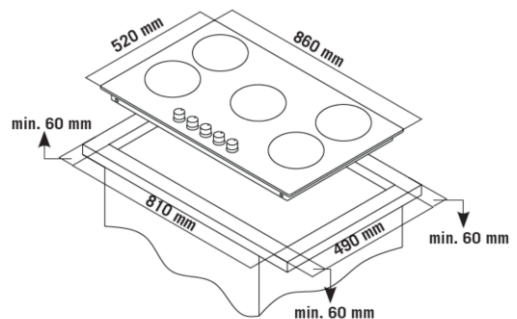
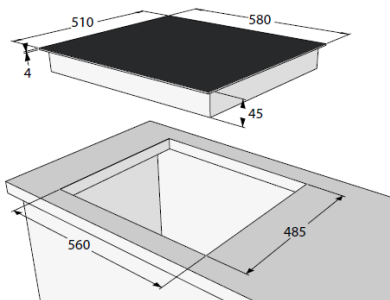


BVH952TB



- 60cm Built-in Vitro Ceramic Hob
- Black Glass Frameless
- Frontal Touch Control
- Booster Function for rapid heating
- Residual Heat Indicator
- Independent Timer for Each Zone (End Cooking Timer)
- Child Safety Lock
- Auto Safety Shut off
- Easy to clean Ceramic Glass
- 9 Power Levels
- 4 Radiant Cooking Zones
- 2 x Ø 140 mm: 1200 W
- 2 x Ø 175 mm: 1800 W
- Total Power: 6000 W
- Voltage – 220 ~ 240 V / 50 Hz
- Product Dimension (W x D x H in cm): 58.0 x 51.0 x 4.5
- Cut-out Dimension (W x D in cm): 56.0 x 48.5

- 90cm Built-in Vitro Ceramic Hob
- Black Glass
- Front Led Illuminated Touch Control
- Child Safety Lock
- Automatic Safety Cut-Out
- On/ Off Button with Hot Surface Alert Feature
- Easy Cleanable - High-Resistance Glass Surface
- 9 Power Levels on each Zones
- 5 Hi-Light Cooking Zones
- 2 x Ø 140 mm: 1200 W
- 1 x Ø 180 mm: 1800 W
- 1 x Ø 120 / 180 mm: 700 W / 1700 W (Dual Zone)
- 1 x Ø 140 / 250 mm: 1000W / 1800W (Oval Zone)
- Total Power: 7700 W
- Voltage: 220 ~ 240 V / 50 Hz
- Product Dimension (W x D x H in cm): 86.0 x 52.0
- Cut-out Dimension (W x D in cm): 81.0 x 49.0

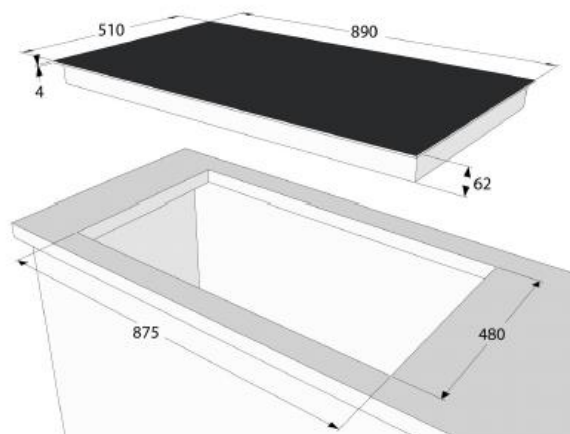
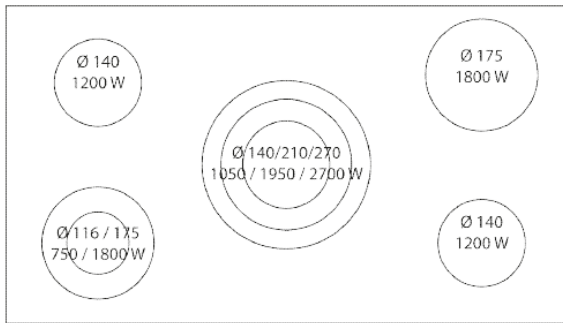


BUILT-IN VITRO CERAMIC – BVH950LTB



**Built
-in**

- 90cm Built-in Vitro-Ceramic Hob
- 5 Radiant Cooking Zones
- Black Glass Frameless
- Frontal Touch Control MONOSLIDER
- 9 Power Levels
- Booster Function for rapid heating
- Residual Heat Indicator
- Independent Timer for Each Zone
- Cooking Pause / Recall Function
- Child Safety Lock
- Double Circuit for Front-Left Zone
- Triple Circuit for Central Zone
- Auto Safety Shut off
- Easy to clean Ceramic Glass
- Total Power: 8900 W
- Voltage: 220 ~ 240 V / 50 Hz
- Product Dimension (W x D x H in cm): 89.0 x 51.0 x 6.2
- Cut-out Dimension (W x D in cm): 87.5 x 48.0

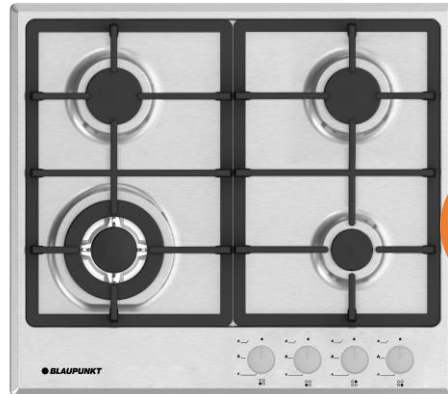


BUILT-IN GAS HOB

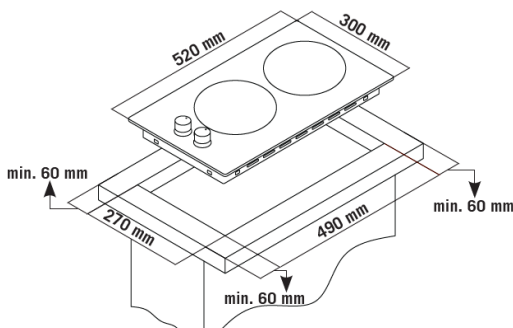
BGH320CX



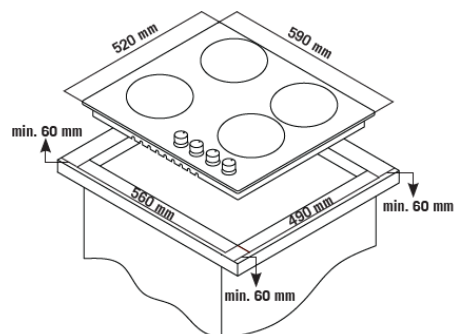
BGH640CTX



- 30cm Built-in Domino Gas Hob
- Stainless Steel Finish
- Front Control Knobs
- Inox Painted Knobs
- Under Knob Auto Ignition
- Flame Failure Device (FFD)
- Cast Iron Pan Support
- Natural Gas / LPG Conversion Kit
- 2 Gas Burner
- 1 x Rapid Burner: 2900 W
- 1 x Auxiliary Burner: 950 W
- Total Hob Power: 3850 W
- Voltage: 220 ~ 240 V / 50 Hz
- Product Dimension (W x D x H in cm): 30.0 x 52.0
- Cut-out Dimension (W x D in cm): 27.0 x 49.0



- 60cm Built-in Gas Hob
- Stainless Steel Finish
- Front Control Knobs
- Inox Painted Knobs
- Under Knob Auto Ignition
- Flame Failure Device (FFD)
- Cast Iron Pan Support
- Natural Gas / LPG Conversion Kit
- 3 Gas Burner + 1 Triple Flame (Wok) Burner
- 1 x Triple (Wok) Burner: 3500 W
- 1 x Rapid Burner: 2900 W
- 1 x Semi Rapid Burner: 1700 W
- 1 x Auxiliary Burner: 950 W
- Total Hob Power: 9050 W
- Voltage: 220 ~ 240 V / 50 Hz
- Product Dimension (W x D x H in cm): 59.0 x 52.0
- Cut-out Dimension (W x D in cm): 56.0 x 49.0



BUILT-IN GAS HOB

BGH640LCTX



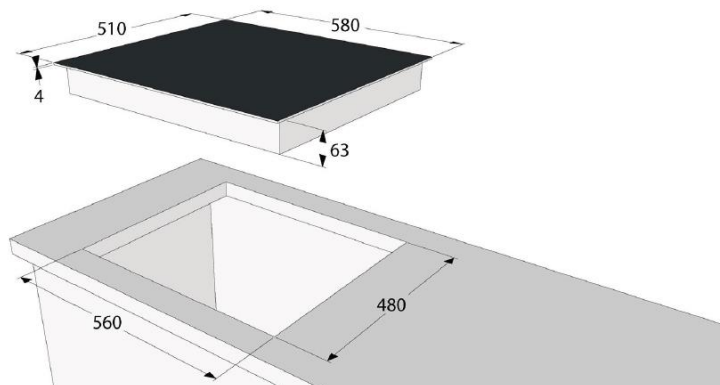
BGH640LCTB



Built-in

- 60cm Built-in Gas Hob
- Stainless Steel Finish
- Cast Iron Pan Support
- Frontal Knob Control
- Flame Failure Device on each Safety Valve (FFD) with SABAF Valves
- Automatic Ignition Integrated in each Burner
- LPG / Natural Gas Conversion Kit
- 3 Gas Burners + 1 Triple Flame WOK Burner
- 1 x Triple (Wok) Burner: 3300 W
- 2 x Semi Rapid Burner: 1800 W
- 1 x Auxiliary Burner: 1000 W
- Total Hob Power: 7850 W
- Voltage – 220 ~ 240 V / 50 Hz
- Product Dimension (W x D x H in cm): 58.0 x 51.0 x 6.3
- Cut-out Dimension (W x D in cm): 56.0 x 48.0

- 60cm Built-in Glass on Gas Hob
- Black Tempered Glass
- Cast Iron Pan Support
- Frontal Knob Control
- Flame Failure Device on each Safety Valve (FFD) with SABAF Valves
- Automatic Ignition Integrated in each Burner
- LPG / Natural Gas Conversion Kit
- 3 Gas Burners + 1 Triple Flame WOK Burner
- 1 x Triple (Wok) Burner: 3300 W
- 2 x Semi Rapid Burner: 1800 W
- 1 x Auxiliary Burner: 1000 W
- Total Hob Power: 7850 W
- Voltage – 220 ~ 240 V / 50 Hz
- Product Dimension (W x D x H in cm): 58.0 x 51.0 x 6.3
- Cut-out Dimension (W x D in cm): 56.0 x 48.0



BUILT-IN GAS HOB

BGH950LCTX



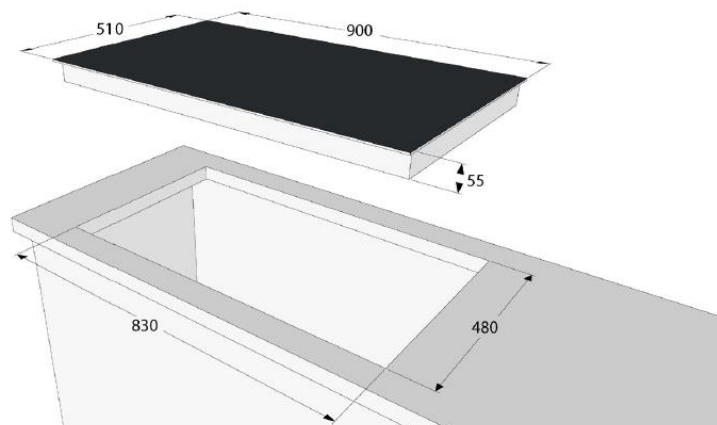
BGH950LCTB



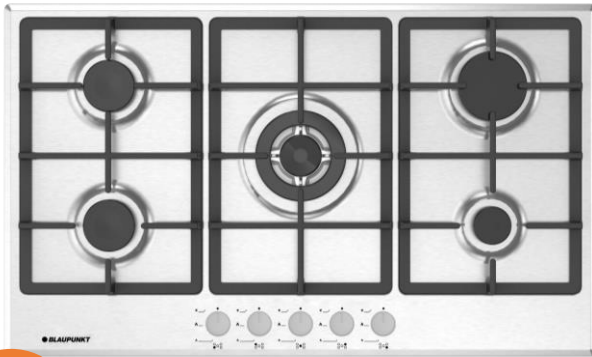
Built
-in

- 90cm Built-in Gas Hob
- Stainless Steel Finish
- Cast Iron Pan Support
- Frontal Knob Control
- Flame Failure Device on each Safety Valve (FFD) with SABAF Valves
- Automatic Ignition Integrated in each Burner
- LPG / Natural Gas Conversion Kit
- 4 Gas Burners + 1 Triple Flame WOK Burner
- 1 x Triple (Wok) Burner: 3300 W
- 1 x Rapid Burner: 3000 W
- 2 x Semi Rapid Burner: 1800 W
- 1 x Auxiliary Burner: 1000 W
- Total Hob Power: 10650 W
- Voltage – 220 ~ 240 V / 50 Hz
- Product Dimension (W x D x H in cm): 90.0 x 51.0 x 5.5
- Cut-out Dimension (W x D in cm): 83.0 x 48.0

- 90cm Built-in Glass on Gas Hob
- Black Tempered Glass
- Cast Iron Pan Support
- Frontal Knob Control
- Flame Failure Device on each Safety Valve (FFD) with SABAF Valves
- Automatic Ignition Integrated in each Burner
- LPG / Natural Gas Conversion Kit
- 4 Gas Burners + 1 Triple Flame WOK Burner
- 1 x Triple (Wok) Burner: 3300 W
- 1 x Rapid Burner: 3000 W
- 2 x Semi Rapid Burner: 1800 W
- 1 x Auxiliary Burner: 1000 W
- Total Hob Power: 10650 W
- Voltage – 220 ~ 240 V / 50 Hz
- Product Dimension (W x D x H in cm): 90.0 x 51.0 x 5.5
- Cut-out Dimension (W x D in cm): 83.0 x 48.0

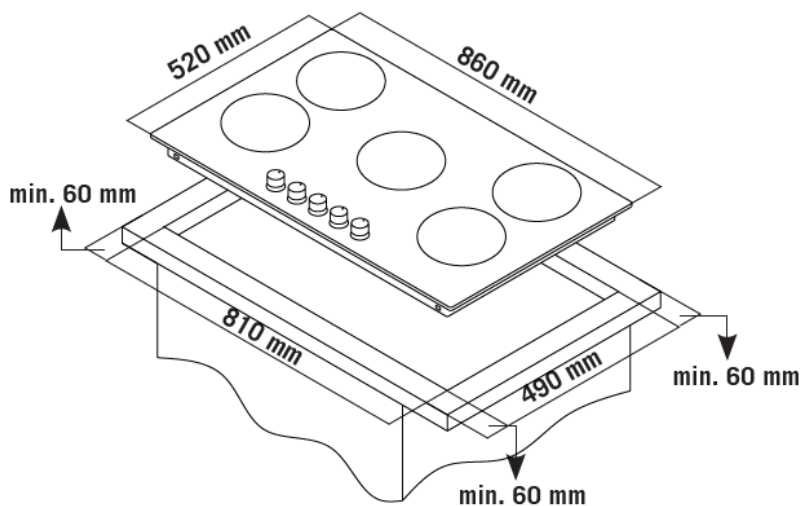


BUILT-IN GAS HOB – BGH950CTX



Built
-in

- 90cm Built-in Gas Hob
- Stainless Steel Finish
- Front Control Knobs
- Inox Painted Knobs
- Under Knob Auto Ignition
- Flame Failure Device (FFD)
- Cast Iron Pan Support
- LPG / Natural Gas Conversion Kit
- 4 Gas Burner + 1 Triple Ring (Wok) Burner
- 1 x Triple (Wok) Burner: 3500 W
- 1 x Rapid Burner: 2900 W
- 2 x Semi Rapid Burner: 1700 W
- 1 x Auxiliary Burner: 950 W
- Total Hob Power: 10850 W
- Voltage – 220 ~ 240 V / 50 Hz
- Product Dimension (W x D x H in cm): 86.0 x 52.0
- Cut-out Dimension (W x D in cm): 81.0 x 49.0



HOOD



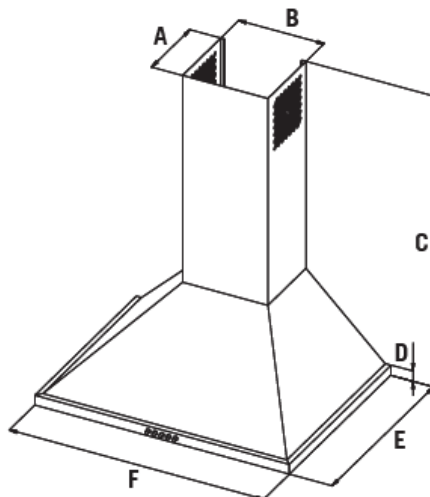
COOKER HOOD



BCH600X

- 60cm Wall Mounted Cooker Hood
- Stainless Steel Finish
- Mechanical Push Button Control
- 3 Speed Settings
- Max. Extraction Power: 400 m³/h
- Dishwasher Safe Aluminium Grease Filter
- 1x 1.5W LED light
- Carbon Filter (Optional)
- Voltage – 220 ~ 240 V / 50 Hz
- Product Dimension (W x D x H in cm): 59.6 x 45.0 x 70.0

| | |
|----------|--------|
| A | 170 mm |
| B | 200 mm |
| C | 700 mm |
| D | 25 mm |
| E | 450 mm |
| F | 596 mm |



BCH900X

- 90cm Wall Mounted Cooker Hood
- Stainless Steel Finish
- Mechanical Push Button Control
- 3 Speed Settings
- Max. Extraction Power: 400 m³/h
- Dishwasher Safe Aluminium Grease Filter
- 1x 1.5W LED light
- Carbon Filter (Optional)
- Voltage – 220 ~ 240 V / 50 Hz
- Product Dimension (W x D x H in cm): 89.6 x 45.0 x 70.0

| | |
|----------|--------|
| A | 170 mm |
| B | 200 mm |
| C | 700 mm |
| D | 25 mm |
| E | 450 mm |
| F | 896 mm |

COOKER HOOD – TOUCH CONTROL



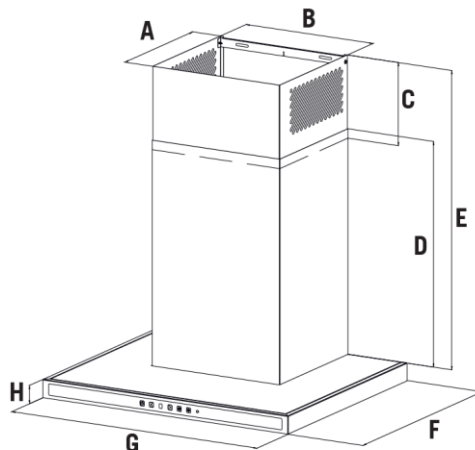
BCH620TX

- 60cm Wall Mounted Cooker Hood
- Stainless Steel Finish
- Frontal Black Tempered Glass
- Digital Touch Control Panel
- Clean Air Technology
- 3 Speed Settings
- Max. Extraction Power: 500 m³/h
- Timer
- Filter Saturation Indicator
- Dishwasher Safe Aluminium Grease Filter
- 1 x 1.5W LED Light
- Carbon Filter (Optional)
- Voltage – 220 ~ 240 V / 50 Hz
- Product Dimension (W x D x H in cm): 59.6 x 50.0 x 50.0 – 83.0

BCH920TX

- 90cm Wall Mounted Cooker Hood
- Stainless Steel Finish
- Frontal Black Tempered Glass
- Digital Touch Control Panel
- Clean Air Technology
- 3 Speed Settings
- Max. Extraction Power: 500 m³/h
- Timer
- Filter Saturation Indicator
- Dishwasher Safe Aluminium Grease Filter
- 1 x 1.5W LED light
- Carbon Filter (Optional)
- Voltage – 220 ~ 240 V / 50 Hz
- Product Dimension (W x D x H in cm): 89.6 x 50.0 x 50.0 – 83.0

| | |
|---|--------|
| A | 285 mm |
| B | 308 mm |
| C | 350 mm |
| D | 500 mm |
| E | 830 mm |
| F | 500 mm |
| G | 596 mm |
| H | 40 mm |



| | |
|---|--------|
| A | 285 mm |
| B | 308 mm |
| C | 350 mm |
| D | 500 mm |
| E | 830 mm |
| F | 500 mm |
| G | 896 mm |
| H | 40 mm |

COOKER HOOD – BCH625TX



Built
-in

- 60cm Telescopic Cooker Hood
- Stainless Steel Front with Silver Body
- Rocker Switch Button
- 3 Speed Setting
- Max. Extraction Power: 320 m³/h
- Dishwasher Safe Aluminium Grease Filter
- 1 x 2 W Spot LED Light
- Carbon Filter (Optional)
- Voltage: 220 ~ 240 V / 50 Hz

COOKER HOOD – BCH635CX



Built
-in

- 60cm Cooker Hood
- Stainless Steel Finish
- Mechanical Push Button
- 3 Speed Settings
- Max. Extraction Power: 320 m³/h
- Dishwasher Safe Aluminium Grease Filter
- 1 x 2 W Spot LED Light
- Carbon Filter (Optional)
- Voltage: 220 ~ 240 V / 50 Hz

COOKER HOOD – BCH935CX



Built
-in

- 90cm Cooker Hood
- Stainless Steel Finish
- Mechanical Push Button
- 3 Speed Settings
- Max. Extraction Power: 320 m³/h
- Dishwasher Safe Aluminium Grease Filter
- 1 x 2 W Spot LED Light
- Carbon Filter (Optional)
- Voltage: 220 ~ 240 V / 50 Hz

Enjoy it.

Blaupunkt Competence Centre
BP Appliances FZCO
2314, SiT Tower, Dubai Silicon Oasis
P. O. Box 184446, Dubai, UAE
Phone: +971 4 26 43 999
bpappliances.ae
info@bpappliances.ae

website



e-mail

