

Front



2-WAY COAXIAL SPEAKER GTX350PRO
3.5" | 200 Watts Max. Power



Enjoy it.

Contents

Dimensions.....	3
Features.....	4
Specifications.....	4
Mounting.....	5
Troubleshooting.....	6
Warning.....	6

GTX350PRO COAXIAL SPEAKERS INSTRUCTION MANUAL

Thank you for purchasing the BLAUPUNKT speaker. Throughout the years, we have used our engineering expertise, craftsmanship, and critical testing procedures to create a wide range of audio products that deliver all of the clarity and richness you deserve in your motor vehicle.

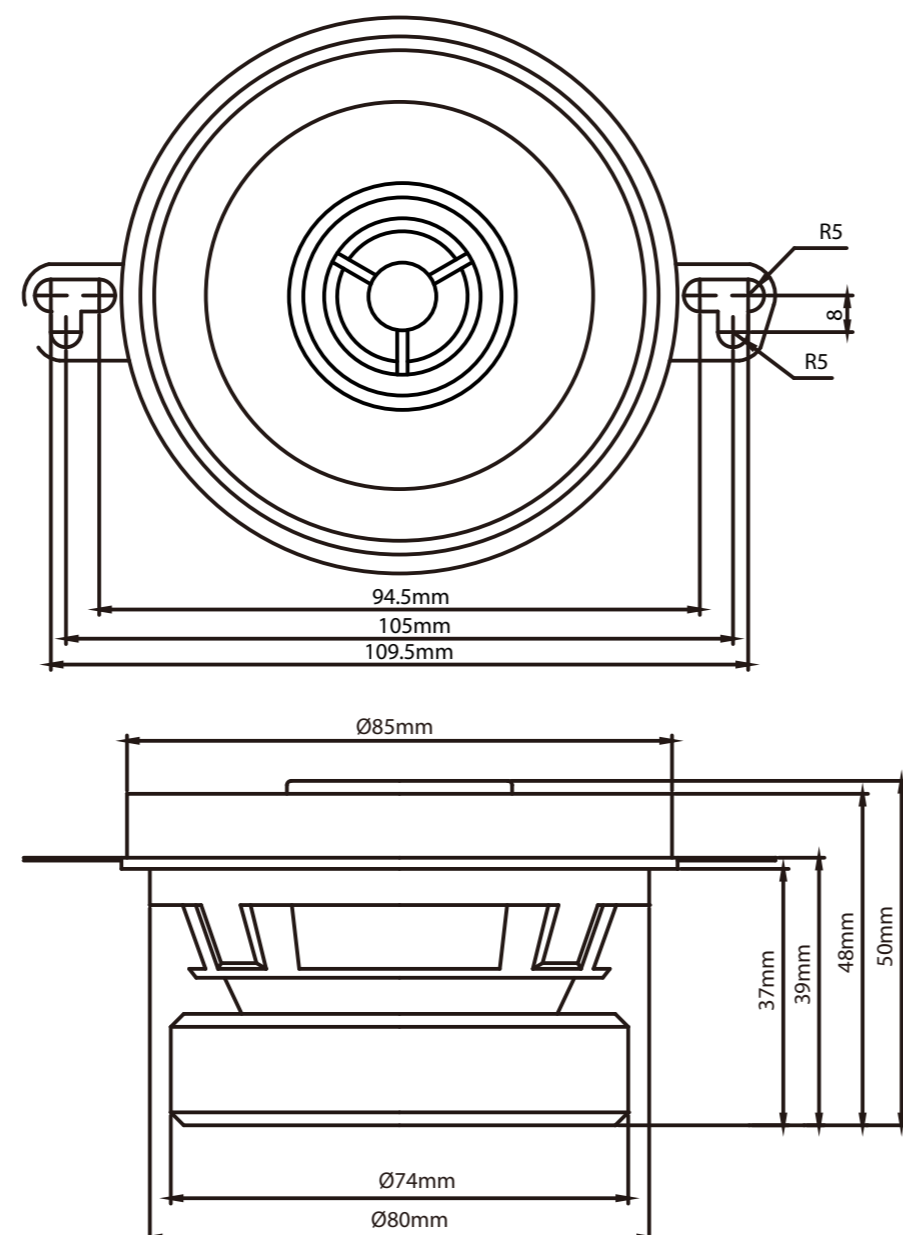
For maximum performance, it is recommended that you have your BLAUPUNKT product installed by a certified installer. Please read the operation manual carefully before installing or using this device. Keep this manual, your receipt of purchase, and the original box for future reference.

If after reading this manual, you still have questions regarding your product, we recommend that you see your nearest BLAUPUNKT dealer

WARNING

Continuous, excessive exposure to sound pressure levels in excess of 85dB can cause hearing loss. While BLAUPUNKT sound systems are capable of producing sound pressure levels greater than 85dB, they are also designed for enjoyment at reasonable levels. Please observe all local sound ordinances while listening to your BLAUPUNKT sound system.

Dimensions:



Back

Features:

- High Quality Polypropylene Cone
- Foam Surround
- High Temperature Aluminium Voice Coil
- Ceramic Magnet
- Mylar Tweeter

Specifications:

Model	GTX350PRO
Size	3.5" 2-Ways
Impedance	4 Ohms
Frequency Response	120Hz ~ 20KHz
SPL (dB-1w/1M)	90dB
Power Rating (RMS)	70Watts
Power Rating (Peak)	200Watts

Troubleshooting:

If you start having problems with distorted sound or loss performance after installing your subs, you can follow the instructions below to try and locate what is causing the problem.

- 1). If you have any distorted sound, loss of performance, or rattling from your subs, check the connections running from your amplifier or other processors to the box. You will also want to check the connections inside the box to make sure no wires have become unhooked or are loose.
- 2). If the above does not solve the problem, check your enclosure thoroughly to see if there are any leaks, cracks, or broken pieces. Any loss of structural integrity of your enclosure can cause significant performance loss and distortion.
- 3). The next step you can take is to remove the subs and look for any burned wire leads or separated components. You can normally smell something burning when a sub blows or is going bad. Sometimes when you play subs to hard for too long, they will start to heat up.
- 4). If none of the above steps solve the problem, you will want to start looking at the other components in the vehicle. Start by checking all connections to and from the box, amplifier, source unit, or any other processors you may be using. You will need to reference to that particular manufacturer for any setting configurations or troubleshooting.

Warning:

Investigate the layout of your automobile thoroughly before drill or cutting any holes. Take care when you work near the gas tanks, gas lines, hydraulic lines, and electrical wiring. Attach the system securely to the automobile to prevent damage, particularly in the event of an accident. Do not mount the system so that the wire connections are unprotected or are subject to pinching or damage from nearby objects.

The +12V DC power wire must be fused at the battery positive terminal connection. Before making or breaking power connections at the system power terminals, disconnect the +12V wire at the battery end. Confirm your radio/head unit or other equipment is turned off while connecting the input jacks and subwoofer terminals.

If you need to replace the power fuse, replace it only with a fuse identical to that supplied with the system. Using a fuse of different type or rating may result in damage to this system.

Mounting:

NOTE: BLAUPUNKT strongly recommends that you operate your system at low volume levels prior to the completed installation of your BLAUPUNKT speakers. This will allow you to test the subwoofers before permanently securing the speakers to your vehicle.

CAUTION: Make sure that all of the speakers wiring is fully protected from cuts, tears, and possible wear. Any short circuits created from cuts, tears or wear could severely damage the source unit or amplifier. Make sure all speaker wires easily reach the speakers terminal with no stress on the wire or connectors.

IMPORTANT: Never cut any metal that is an integral part of the vehicle's safety or structural support system. If you are unsure of the importance of any components of your vehicle, it is recommended that you have your speakers professionally installed.

CHOOSING A LOCATION: It is always best to plan the complete installation prior to attempting to install any product. The routing of wires, power connections, and mounting locations should be planned first. As with any car stereo installation, all work performance should be checked thoroughly and carefully prior to the operation of the system.

The placement of your BLAUPUNKT speakers within your vehicle will greatly effect the overall performance of your audio system. Every model of a car is different, so installation into your vehicle may not be possible without modification. Refer to your vehicle's manual for more information about your vehicle's sound system.

BLAUPUNKT speakers are designed to fit in almost any factory location. Again, if at all possible, it is recommended that you use a factory location. This applies mostly to later model cars. For those earlier models that do not have factory locations or are limited to just front speaker, it is recommended that you choose a location with a sufficient amount of air space.

If you allow an insufficient amount of air space, the subwoofer may not produce low frequencies very well. It is recommended to mount the speaker in the door panels, kick panels, rear decks, etc. ideally, the speakers should be mounted where it will be in an enclosed airspace. This will allow for extended bass response.



BP Americas Corp.
9590 NW 40th St. Road
Doral, FL 33178

www.blaupunkt.com

BLAUPUNKT. All Rights Reserved. This device complies with part 15 of the FCC Rules. Operation is subject to the following two conditions: (1) this device may not cause harmful interference, and (2) this device must accept any interference received, including interference that may cause undesired operation.
▲ WARNING: Cancer and Reproductive Harm - www.P65Warnings.ca.gov