



GTX401PRO  
GTX406PRO  
GTX525PRO  
GTX570PRO  
GTX650PRO  
GTX690PRO

**4-WAY COAXIAL SPEAKER  
Instruction Manual**



Enjoy it.

Contents

Dimensions..... 3  
Features..... 4  
Specifications..... 4  
Mounting..... 5  
Troubleshooting..... 6  
Warning..... 6

**GTX401PRO / 406PRO / 525PRO  
/570PRO / 650PRO / 690PRO  
COAXIAL SPEAKER  
INSTRUCTION MANUAL**

Dear Customer,

Congratulations on your purchase of an BLAUPUNKT speaker, we are devoted to making our musical reproduction the very best, and we are pleased you have chosen our product. Through years of engineering expertise, hand craftsmanship, and critical testing procedures, we have created a wide range of products that reproduce music with all the clarity and richness you deserve.

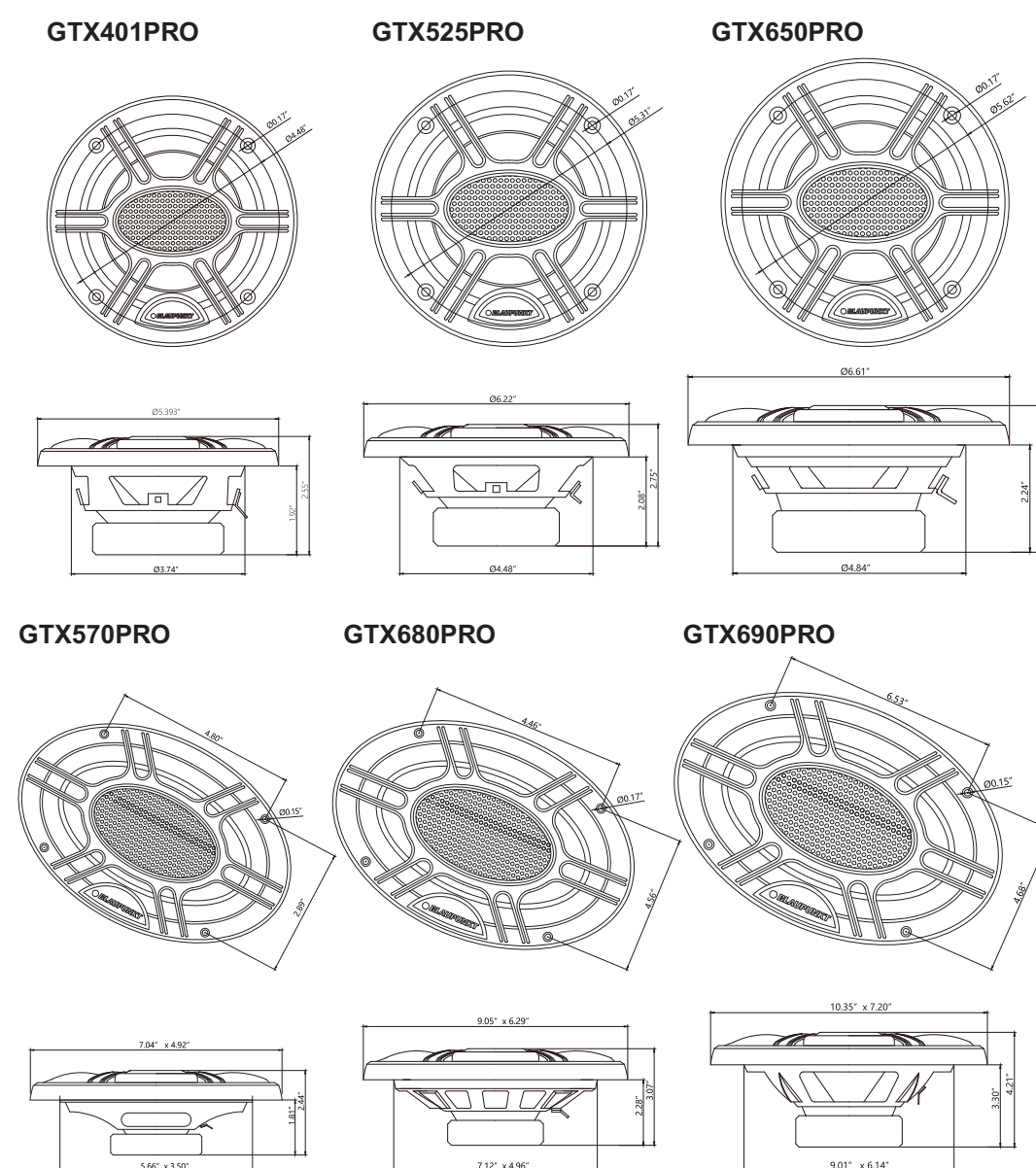
For maximum performance we recommend you have your BLAUPUNKT product installed by an authorized BLAUPUNKT dealer, as they have the knowledge, skills that will maximize the performance of your speaker. Please read this manual, keep your receipt, and original carton for possible future use.

If after reading this manual, you still have questions regarding your product, we recommend that you see your nearest BLAUPUNKT dealer,

**WARNING**

Continuous, excessive exposure to sound pressure levels in excess of 85dB can cause hearing loss. While BLAUPUNKT sound systems are capable of producing sound pressure levels greater than 85dB, they are also designed for enjoyment at reasonable levels. Please observe all local sound ordinances while listening to your BLAUPUNKT sound system.  
Need we say more! Use common sense.

Dimension:



Features:

High Quality Polypropylene Cone  
Butyl Rubber Surround  
High Temperature Aluminium Voice Coil  
Ceramic Magnet  
Mylar Dome Tweeter

Specifications:

Model	GTX401PRO	GTX460PRO	GTX525PRO
Size	4" 4-Way	4" x 6" 4-Way	5.25" 4-Way
Impedance	4 Ohms	4 Ohms	4 Ohms
Frequency Response	110Hz ~ 20KHz	120Hz ~ 20KHz	90Hz ~ 20KHz
SPL (dB-1W/1M)	90dB	90dB	90dB
Power Rating (RMS)	80Watts	80Watts	100Watts
Power Rating (Max)	240Watts	240Watts	300Watts
Voice Coil	1"	1"	1"
Magnet Weight	6oz	6oz	10oz

Model	GTX650PRO	GTX570PRO	GTX690PRO
Size	6.5" 4-Way	5" x 7" 4-Way	6"x9" 4-Way
Impedance	4 Ohms	4 Ohms	4 Ohms
Frequency Response	80Hz ~ 20KHz	80Hz ~ 20KHz	50Hz ~ 20KHz
SPL (dB-1W/1M)	90dB	90dB	90dB
Power Rating (RMS)	120Watts	120Watts	150Watts
Power Rating (Max)	360Watts	360Watts	600Watts
Voice Coil	1"	1"	1"
Magnet Weight	13oz	13oz	20oz

Mounting:

NOTE: BLAUPUNKT strongly recommends that you operate your system at low volume levels prior to the completed installation of your BLAUPUNKT series speakers. This will allow for a test of the speakers before permanently securing it to a location.

CAUTION: Make sure that all of the speaker's wiring is fully protected from cuts, tears and possible wear. Any short circuits created from cuts, tears or wear could severely damage the source unit or amplifier. Make sure all speakers wires easily reach the speakers terminal with no stress on the wire or connectors.

IMPORTANT: Never cut any metal that is an integral part of the vehicles safety or structural support system. Again, if you are unsure, it is best to have the speakers professionally installed. It could be a lot less expensive in the long run. Never sacrifice your safety for sound.

CHOOSING A LOCATION: It is always best to plan the complete installation prior to attempting to install any product. The routing of wires, power connections and mounting locations should be planned first. As with any car stereo installation, all work performance should be checked thoroughly and carefully prior to the operation of the system.

The placement of your BLAUPUNKT speakers within your vehicle will greatly affect the overall performance of your audio system. Every model of car is different, so installation into particular locations of the vehicle may not be possible without modifications. Factory provided locations are usually.

BLAUPUNKT speakers are designed to fit in almost any factory location. Again, if at all possible, it is recommended that you use a factory location. This applies mostly to later model cars. For those earlier models that do not have factory locations or are limited to just front speaker, it is recommended that you choose a location with a sufficient amount of air space.

If you allow an insufficient amount of air space, the speaker may not produce low frequencies very well. It is recommended to mount the speaker in the door panels, kick panels, rear decks, etc. Ideally, the speakers should be mounted where it will be in an enclosed airspace. This will allow for extended bass response.

Troubleshooting:

If you start having problems with distorted sound or loss performance after installing your subs, you can follow the instructions below to try and locate what is causing the problem.

- 1). If you have any distorted sound, loss of performance, or rattling from your subs, check the connections running from your amplifier or other processors to the box. You will also want to check the connections inside the box to make sure no wires have become unhooked or are loose.
- 2). If the above does not solve the problem, check your enclosure thoroughly to see if there are any leaks, cracks, or broken pieces. Any loss of structural integrity of your enclosure can cause significant performance loss and distortion.
- 3). The next step you can take is to remove the subs and look for any burned wire leads or separated components. You can normally smell something burning when a sub blows or is going bad. Sometimes when you play subs to hard for too long, they will start to heat up.
- 4). If none of the above steps solve the problem, you will want to start looking at the other components in the vehicle. Start by checking all connections to and from the box, amplifier, source unit, or any other processors you may be using. You will need to reference to that particular manufacturer for any setting configurations or troubleshooting.

Warning:

Investigate the layout of your automobile thoroughly before drill or cutting any holes. Take care when you work near the gas tanks, gas lines, hydraulic lines, and electrical wiring. Attach the system securely to the automobile to prevent damage, particularly in the event of an accident. Do not mount the system so that the wire connections are unprotected or are subject to pinching or damage from nearby objects.

The +12V DC power wire must be fused at the battery positive terminal connection. Before making or breaking power connections at the system power terminals, disconnect the +12V wire at the battery end. Confirm your radio/head unit or other equipment is turned off while connecting the input jacks and speaker terminals.

If you need to replace the power fuse, replace it only with a fuse identical to that supplied with the system. Using a fuse of different type or rating may result in damage to this system.



**BP Americas Corp.**  
9590 NW 40th St. Road  
Doral, FL 33178

[www.blaupunkt.com](http://www.blaupunkt.com)

BLAUPUNKT. All Rights Reserved. This device complies with part 15 of the FCC Rules. Operation is subject to the following two conditions: (1) this device may not cause harmful interference, and (2) this device must accept any interference received, including interference that may cause undesired operation.  
▲ WARNING: Cancer and Reproductive Harm - www.P65Warnings.ca.gov