



# Subwoofers

## E-Series

BPW-E12S

## X-Series

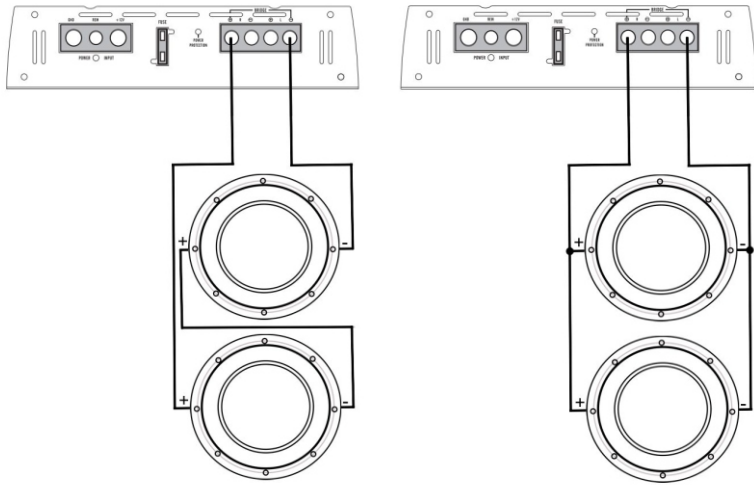
BPW-HX100D, BPW-HX120D

**BP Americas Corp.**  
 9590 NW 40th St Road  
 Doral, FL 33178

	<b>BPW-HX100D</b>	<b>BPW-E12S</b>	<b>BPW-HX120D</b>
<b>Model:</b>			
Speaker Design	10" DVC	12" SVC	12" DVC
Woofer (in, mm)	10in 254mm	12in 305mm	12in 305mm
Rated Impedance	4+4 ohm	4 ohm	4+4 ohm
Peak Power Handling [Watts]	1000W/	500W/	1000W/
Continuous Power Handling [Watts]	500W	250W	500W
Frequency Response [Hz]	25~500Hz	25~500Hz	25~500Hz
Mounting Hole Diameter (in, mm)	9.29in 236mm	11.18in 284mm	11.18in 284mm
Top Mount Depth (in, mm)	0.79in 20mm	0.79in 20mm	0.79in 20mm
Bottom Mount Depth (in, mm)	4.92in 125mm	5.43in 138mm	5.71in 145mm
Hole Cut-Out Diameter	9.29in 236mm	11.18in 284mm	11.18in 284mm
Woofer Material	Treated Paper	Injection PP	Treated Paper
Surround Material	Rubber	Rubber	Rubber
Magnet Material	Ferrite	Ferrite	Ferrite
Trim Ring	Yes	Yes	Yes
Zn [Q]	2.42ohm	4.82ohm	2.32ohm
fs [Hz]	39Hz	29Hz	35Hz
SPLo [dB@1W,1M]	85.4dB	86.4dB	87dB
Qts	0.55	0.49	0.67
Oms	4.53	5.58	5.46
Qes	0.63	0.54	0.77
Re [Q]	3.2+3.2	3.6	3.2+3.2
Vas [liters]	21.05	83.8	53.45
Xmax [mm]	15	10	15



## WIRING / CABLEADO:



Blaupunkt Subwoofers  
wired in series  
Total Impedance: 8 ohms

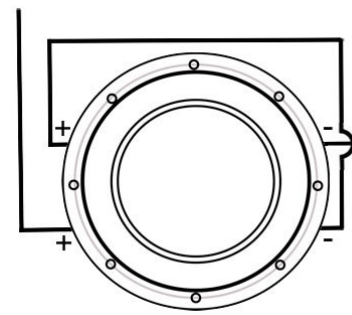
Subwoofers Blaupunkt  
conectados en serie  
Impedancia Total: 8 ohms

Blaupunkt Subwoofers  
wired in parallel  
Total Impedance: 2 ohms

Subwoofers Blaupunkt  
conectados en paralelo  
Impedancia Total: 2 ohms

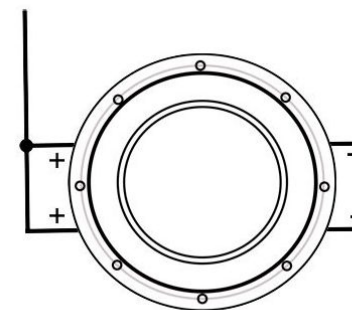
## WIRING / CABLEADO:

Dual Voice Coil wiring configuration:  
Configuración de conexión de Doble Bobina:



Dual 4ohms Voice Coils Subwoofer  
wired in series  
Total Impedance: 8 ohms

Subwoofer Doble Bobina de 4ohms  
conectadas en serie  
Impedancia Total: 8 ohms



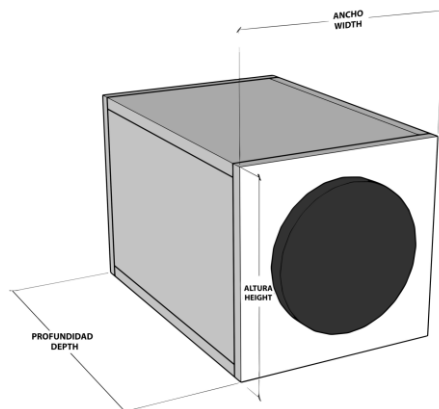
Dual 4ohms Voice Coils Subwoofer  
wired in parallel  
Total Impedance: 2 ohms

Subwoofer Doble Bobina de 4ohms  
conectadas en paralelo  
Impedancia Total: 2 ohms

## ENCLOSURE / CAJA:

Use the template inside your  
BLAUPUNKT Subwoofer shipping  
carton to mark the mounting hole,  
then cut directly on the line.

Utilice la plantilla que viene dentro  
del cartón de empaque de su  
Subwoofer BLAUPUNKT para marcar  
el orificio de montaje, luego corte  
directamente sobre la línea



## RECOMMENDED ENCLOSURE / CAJA RECOMENDADA:

### Vented Enclosures

	<b>BPW-HX100D</b>	<b>BPW-E12S</b>	<b>BPW-HX120D</b>
Wall Thickness	0.75"	0.75"	0.75"
Volume (Net Internal)	1.25 CuFt	1.8 CuFt	1.65 CuFt
External Width (W)	23"	14"	23"
External Height (H)	12"	16"	12.5"
External Depth (D)	11.5"	19.5"	14"
Port Area	10 Sq inch	12.5 Sq inch	12.5 Sq inch
Port Length	17"	10"	16"

### Sealed Enclosures

	<b>BPW-HX100D</b>	<b>BPW-E12S</b>	<b>BPW-HX120D</b>
Wall Thickness	0.75"	0.75"	0.75"
Volume (Net Internal)	0.52 CuFt	1.0 CuFt	0.8 CuFt
External Width (W)	12"	14.5"	14"
External Height (H)	12"	14.5"	14"
External Depth (D)	10.5"	12.5"	11"