

BLAUPUNKT

CL7010

Original instruction manual
Bedienungsanleitung
Instrukcja obsługi
Návod k použití
Návod na použitie
Használati utasítás
Navodila

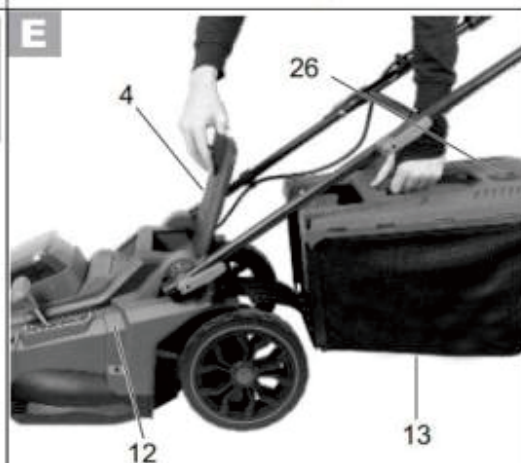
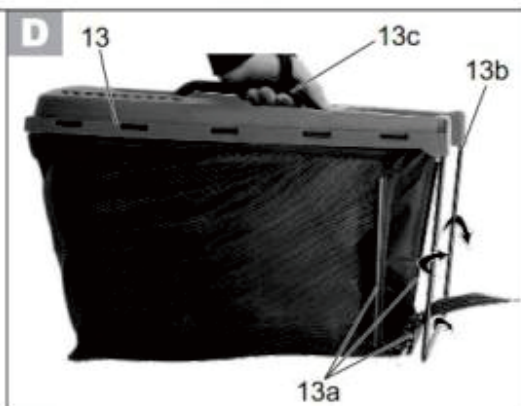
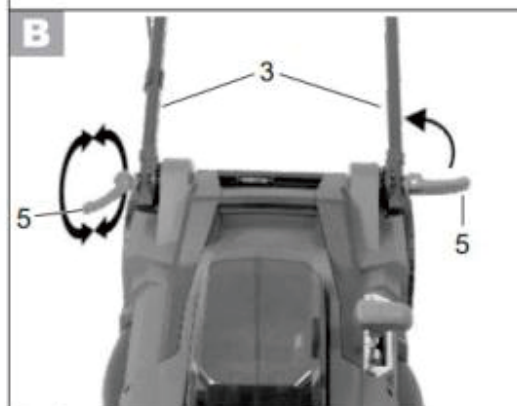
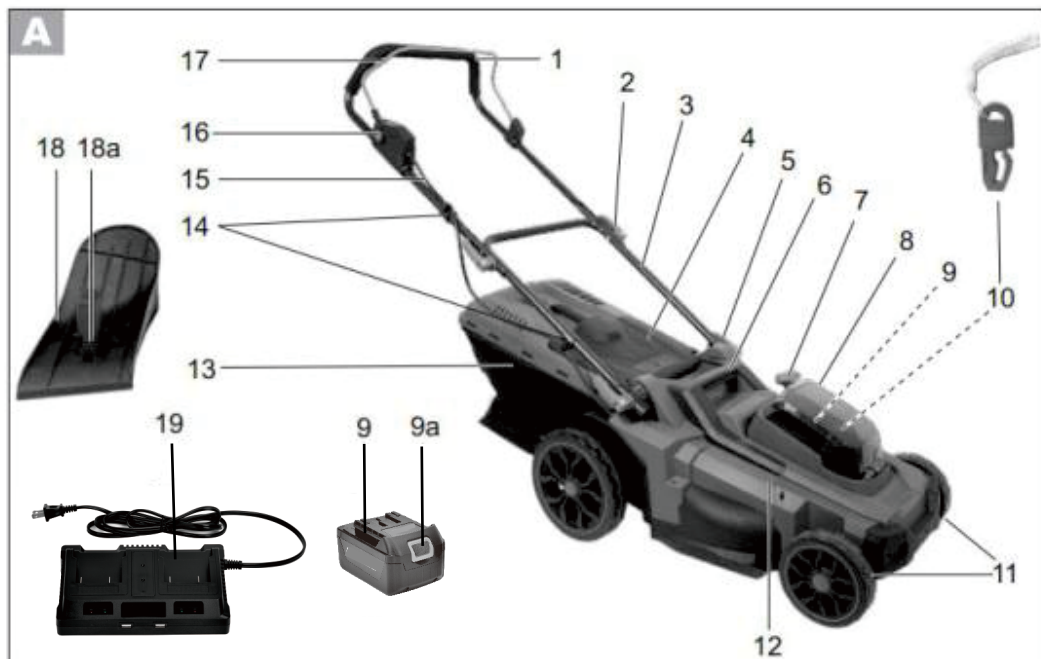
Upute za uporabu
εγχειρίδιο οδηγιών
инструкциязаупотреба
Manual de instructiuni
Instrukcijų vadovas
Kasutusjuhendit
Eksploatacijas instrukcija

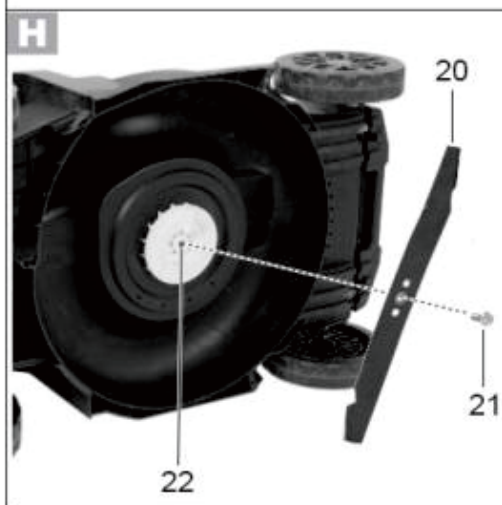
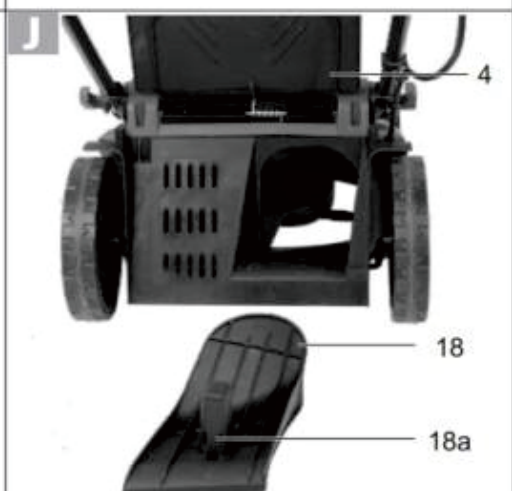
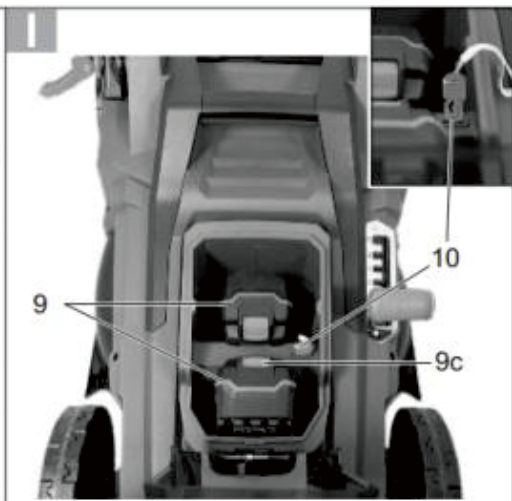
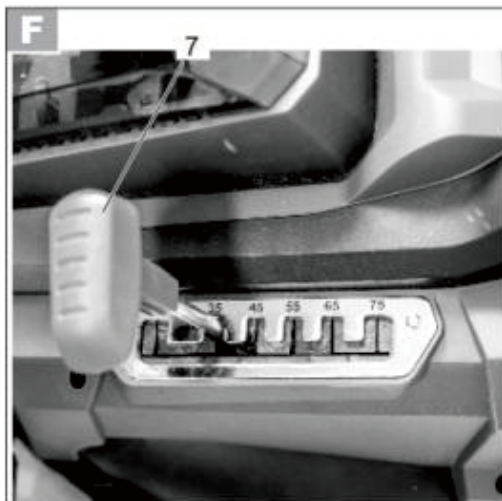


Enjoy it.

Електрически тример
Elektrická strunová kosačka
Ηλεκτρικό χορτοκοπτικό
Elektriline murutrimmer
Električni trimer
Elektriskais zāles trimmeris

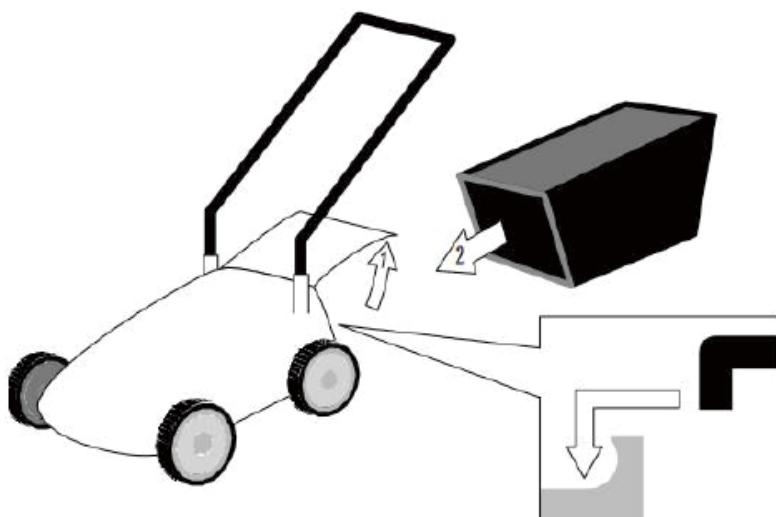
Podkaszarka elektryczna
Grass trimmer
Električna kosilnica na nitko
Elektriné žoliapjové
Elektrická strunová sekačka
Elektromos szegélynyíró
Trimmer electric







1













IMPORTANT INFORMATION

In order to achieve the highest satisfaction, enjoy the performance of the product and learn all its features and functions, please read this manual before using this product. Before using the device, read the manual and follow the instructions contained therein. The manufacturer is not liable for damage caused by the use of the device not in accordance with its intended use or improper handling. Retain the operating instructions so that they can also be used when using the product at a later date.

- Do not immerse the appliance in water or any other liquid.
- The appliance should be cleaned regularly as described in the section on Cleaning and maintenance of the appliance.
- Do not place the appliance close to sources of heat, flames, electric element Do not place it on top of any other appliance.
- Take special care when using the appliance when children or pets are around.
- Do not allow children to play with the appliance.
- Do not expose the appliance to atmospheric conditions (rain, sun, etc.) or use it in humid conditions.
- Use only original accessories and spare parts for the appliance or those recommended by the manufacturer. The use of accessories or parts not recommended by the manufacturer may damage the appliance and jeopardise the safety of use.
- Keep your work area tidy and well lit.
- Disorder and insufficient lighting lead to accidents.
- A moment's inattention risks losing control of the tool.
- Do not lean too far with the power tool. Maintain a stable posture and balance. This will help you maintain better control of the power tool in unforeseen situations.

- Avoid starting the power tool unintentionally. Check that the power switch is in the OFF position before connecting the power tool to the mains. Carrying the power tool with your finger on the trigger or connecting the power tool to the mains after it has already been switched on can lead to accidents.
- Wear appropriate clothing. Do not work in loose clothing or wear jewellery while working. Keep hair, clothing and gloves away from moving parts. Moving parts of the power tool can catch and pull in loose clothing, jewellery or long hair.
- Remove any spanners or tools from the power tool before starting it. A tool or spanner still connected to the rotating part of the power tool can cause injury.
- Use caution when working with power tools, concentrate on your work and use common sense. Do not use a power tool when tired or under the influence of drugs, alcohol or medication. Even a moment's inattention when working with a power tool risks a serious accident.
- Keep children away from the work area and DO NOT allow children to pull on the power cord this can cause serious injury.
- Before making any adjustments, changing accessories or putting the power tool away for storage, flip the switch to the off position to disconnect the power tool from the power supply. Such precautions reduce the risk of accidentally starting the power tool.
- Only use the tool in a dry, well-lit environment.
- This tool should not be used by anyone under 16 years of age.

	Read the user manual.		Use ear protection
	General warning		Wear protective gloves
	Fire hazard		Wear protective clothing
	Electric shock hazard		Wear a protective mask
	Wear safety glasses		Wear respiratory protection

1. Warning of danger. Use extreme caution.
2. Important, read the instructions and observe the warnings.
3. Wear safety goggles.
4. Use protective earmuffs.
5. Always disconnect from power supply before repairing or maintenance. In the event of damage to the cable, immediately unplug this apparatus from the wall outlet.
6. Do not use the unit in the rain or in high humidity conditions.

Workplace safety :

- The appliance is designed for grass cutting. Do not use the unit for other activities.
- Keep the work area neat and well lit. Disorder and poor lighting contribute to accidents.
- Before starting work, prepare and clear the area, remove all stones, branches, wires, and other foreign objects protruding from the ground and over which there is a risk of tripping.
- Take special care if working on sloping terrain or slopes.

- Do not use an electrically powered appliance in explosive environments created by flammable liquids, gases or dust. The appliance can produce sparks that can ignite dust or fumes.
- Do not allow children or observers into areas where an electrically powered appliance is in use. Distractions can cause loss of control of the appliance.
- Leave electrically powered garden equipment away from bystanders.
- The operator or user is responsible for accidents or hazards occurring to other persons or the environment.

Electrical safety

- Only connect the appliance to an outlet with characteristics consistent with the values on the rating plate.
- Do not expose electrically powered equipment to rain or wet conditions. If water enters the power tool, the risk of electric shock increases.

Human safety

- Do not operate the equipment if the user feels tired or is under the influence of alcohol, drugs or medication. Full concentration is required when using the device and caution must be exercised. A moment's inattention while using a power tool can lead to an accident and consequent serious injury or property damage.
- It is essential to wear personal protective equipment. Always wear close-fitting safety goggles (according to EN 166 or other national regulations). Wear ear protection due to the loudness of the equipment. The use of protective equipment such as a dust mask, non-slip safety shoes with

- uppers, protective gloves is also recommended.
- Wear close fitting clothing. Loose clothing, jewellery, scarves can get caught by moving parts of the machine, which can lead to dangerous accidents. If the user has long hair, it should be secured and fastened.
 - During operation, the appliance may eject various objects at high speed. There is a danger of injury. The use of suitable clothing is recommended.
 - Before starting the power tool, remove all spanners and other tools used to adjust the unit. Leaving a spanner in a rotating part of the power tool may cause injury.
 - Avoid working in an unnatural body position. Assume a correct and stable posture to avoid the possibility of losing balance. This will enable better control of the power tool in unpredictable situations.
 - Avoid unintentional starting. Make sure the power cord is unplugged and the switch is in the off position before picking up or carrying the equipment. Carrying electrically powered equipment with your finger on the switch or connecting to the mains with the switch on may lead to an accident.
 - Keep hands and feet away from moving (rotating) parts of the equipment.
 - Keep a safe distance from bystanders.
 - In spite of the inherently safe design the design itself, the use of safety measures and additional protective measures, there is always a risk of residual injury during operation.
 - Do not use detergents or alcohol to clean the machine.
 - The attachment system of the working tool must correspond to the dimensions of the power tool. Work tools with incorrect dimensions cannot be sufficiently guarded or

- controlled.
- Personal protective equipment must be used. Depending on the type of work, wear a protective mask covering the entire face, eye protection such as safety goggles. Protect the eyes from airborne foreign bodies generated during work. Protect the respiratory tract against airborne dust and vapours with a dust mask. Exposure to noise over a prolonged period can lead to hearing loss.
 - Ensure that bystanders are kept at a safe distance from the machine's working area. Anyone in the vicinity of a working power tool must use personal protective equipment
 - Clean the ventilation slots of the equipment regularly.
 - Before each start-up, check that: - the equipment is assembled correctly, in accordance with the instructions; - the cutting tool is in good working order; the blade attachment, damage and wear must be checked regularly; - the safety devices (e.g. cutting unit guard, housing, handle, motor switch) are in good working order and function correctly. When the machine is switched off, the blade still remains in motion for some time. Caution should be exercised.

Safety instructions for the charger and battery pack

- To connect the battery for charging, insert the battery into the charger and then connect the charger to a power source.
- Protect the charger from rain and moisture. The charger may only be used indoors.
- Keep the charger clean.
- Do not use the charger on flammable objects and substrates (e.g. paper) or in environments with explosive and/or flammable atmospheres.

- Always provide adequate ventilation when charging, as fumes or electrolyte may leak from the battery if the battery is damaged due to improper handling/damage.
- Unplug the charger from the wall socket when charging is complete. Do not leave it connected to a power source for longer than necessary.
- Store and charge the battery in a dry place and make sure no water gets into it.
- Keep the battery connectors clean and free from dirt.
- Protect the battery from shocks, moisture and never open or mechanically damage the battery.
- To check the charge level of the battery pack, press the button on the battery pack and, if necessary, charge the battery pack according to the number of LEDs and the expected operating time of the cordless tool.

General information

- Before removing the basket, it is necessary to switch off the engine to avoid potential hazards. Always observe the safe distance between the blade housing and the user, which is ensured by suitable handles. It is advisable to be particularly careful when mowing, especially on slopes, and when changing direction. To this end, it is advisable to wear footwear with a non-slip sole and long trousers to minimise the risk of injury.
- When removing the basket and changing direction on slopes, maintain a stable position. Always drive the mower across the slope and avoid mowing on slopes over 15° for safety reasons. It is also important to be careful when reversing and pulling the mower to avoid tripping.
- When the mower is removed, the bumper guard should

close the rear discharge opening to prevent accidental access to the blade. If grass remains in the opening, it is advisable to move the mower some distance, the grass should fall out more freely. This will make it easier to restart the engine. Do not remove debris from the mower housing and blade by hand or foot, but use suitable tools such as a hand brush.

- When attaching the collection basket, make sure the engine is switched off and the cutting tool is stationary. Lift the bumper guard with one hand and hold the bag by the handle with the other, suspending it from the top. To ensure effective grass collection, it is advisable to clean the basket regularly, paying particular attention to the grilles. These measures will contribute to maintaining the safety and efficiency of the mower.



When this crossed-out wheeled bin symbol is attached to a product it means that the product is covered by the European Directive 2012/19/EU. Please inform yourself about the local separate collection system for electrical and electronic products. Used appliance should be delivered to the dedicated collecting points due to hazardous components, which may affect the environment. Do not dispose this appliance in the common waste bin.



Your products is designed a manufactured with high quality materials and components, which can be recycled and reused.

Description of appliance (A)

1 Top handle	13a Plastic tabs
2 Pressing levers for securing the upper section of the mower	13b Grass container bars
3 Lower handle	13c Grass catcher handle
4 Rear flap	14 Cable holder
5 Pressing levers for securing the lower section of the mower	15 Cable
6 Handle for carrying	16 Release button
7 Height of cut adjustment lever	17 Starter handle
8 Battery cover	18 Grass ejection set
9 Batteries (not supplied)	18a Bracket on mulching kit
9a Release button on battery	19 Twin charger
10 Ignition key	20 Blade
11 Wheels	21 Blade bolt
12 Machine housing	22 Motor spindle
13 Grass container	

Switching on and off (G):

Do not start the unit incomplete or incorrectly assembled. Before starting, check that all safety components are in good condition.

- 1 Place the unit on a level surface.
2. lift the cover (8) of the appliance housing and insert the charged batteries (9).
3. insert the ignition key (10) into the appropriate hole next to the battery (9).
(The ignition key can only be inserted in one position).
4. make sure that the blade does not touch any objects before switching the unit on.
5. to switch the unit on, press the lock release button (16) and hold it down, then press the start lever (17). Then release the lock release button(16).
6. To switch off the unit, let go of the starting lever (17).

After the appliance has been switched off, the blade continues to rotate for a few seconds. Do not touch the moving blade.

To remove the battery pack (9) from the appliance, press the release button (9a) on the battery pack and pull out the battery pack.

To insert the battery pack (9), push it along the guide.

Removing the grass container (E)

1. To install the grass container (13), lift the tailgate (4) and hang the grass container (13) on both handles.
2. Fold the tailgate (4) over the grass container (13).
3. To remove the grass container (13), lift up the cover (4) and remove the grass container (13).
4. Fold the rear flap (4) back onto the machine housing (12).

Adjusting the height (F):

1. Grasp the lever (7) of the cutting height adjustment and slide it past the ratchet mechanism to the desired cutting height.

The machine has 6 positions for adjusting the cutting height (F):

25 mm/35 mm - low cutting height

45 mm/55 mm - medium cutting height

65 mm/75 mm - high cutting height

The correct cutting height is between 25 and 45 mm for an ornamental lawn and approximately 45-65 mm for a utility lawn.

Storage (K)

- Release the pressure lever (2+5) and fold the upper rod (1) and lower rod (3) together to the unit takes up less space. When doing so, take care not to pinch the unit's cables.
- Store the appliance in a dry place out of the reach of children.
- Before storing the appliance in an enclosed space, allow the motor to cool down.

MOUNTING

Assembling the lower rod (B)

1. Fold the lower attachment (3) upwards.
2. Turn the lower levers (5) clockwise to fix them.
3. Lock the clamping levers (5), push them towards the lower bar (3). Pull the clamping levers firmly and then align them to the rod so that tightening can be carried out with medium force. If this fails, continue turning the tightening lever clockwise or it should be loosened by turning it counterclockwise.

Installing the top rod (C)

- Attach the upper rod (1) using the screws (2b), washers (2a) and upper levers (2) to the right and left of the lower rod (3). The release button (16) must be on the right side in the direction of mowing. Two positions are possible.
2. Turn the clamping lever (2) clockwise.
 3. Lock the clamping levers (2) by pressing them in the direction of the bar (3). The tightening levers must rest against the rod in such a way that tightening with medium force is possible. If this fails, continue turning the tightening levers clockwise or loosen them by turning counterclockwise.

Assembling the grass container (E)

1. Snap the handle (13c) of the grass container (13) into the top of the grass container (13).
2. Place the plastic tabs (13a) of the grass container (13) on the bars of the grass container (13b).

Grass ejection kit (J)

Fixing the grass ejection kit

1. Remove the grass container.
2. lift up the rear flap
3. Slide the grass ejection kit (18) into place. The bracket (18a) will snap into place.

Removing the grass ejection kit(J)

- 4 Pull out the bracket (18a) and remove the grass ejection kit (18).

Cleaning and maintenance:

Remove the battery from the unit before servicing and storing! Contact of body parts with the moving cutting element can cause injury, disability or death!

Remember that the cutting element continues to move for a while after the engine is switched off.

- Cleanliness and regular maintenance are essential for the proper functioning of the machine. We recommend cleaning the mower thoroughly after each use, using a brush, cloth or compressed air. It is important to avoid the use of cleaners or solvents and to ensure that water does not get into the unit.
- Before each use, it is a good idea to carefully inspect the mower for visible defects such as loose or damaged components. Regularly checking the tightness of all bolts and screws is key, as worn or under-tightened components can lead to dangerous damage to the engine or frame.
- Regularly monitor the condition of the housing, safety components and collection basket for any damage and check their attachment stability. If you notice any abnormalities, it is recommended that they are repaired immediately or replaced with new ones.
- After mowing, wait for the engine to cool down before putting the mower into storage. If the blade hits a foreign object hard, stop the mower immediately and consult a service technician.
- Carefully inspect the mower after each mowing and remove any plant debris from the wheels, holes and from under the housing (blade compartment). Use a delicate tool such as a piece of wood or plastic to do this, avoiding hard tools that can damage the machine.

- To minimise the risk of fire, regularly clean the engine compartment of plant debris. Any green residue surrounding the engine should be removed, and it is advisable to carry out this operation at least after the mowing season. With intensive use, it is advisable to repeat the cleaning 1-2 times during the season, ensuring that the blade is always sharp and well-balanced to guarantee an optimal cut.

Technical data:

Battery voltage 2 x 18 V, compatible with OneDNA18V series, Blaupunkt BP1840, BP1850

No-load speed n=2900 minutes¹

Cutting width: 430 mm

Cutting height: 25/35/45/60/75 mm

Hopper capacity for grass cuttings: 30l

Weight without battery/charger 10.6 kg

Degree of protection IP40

Noise

Sound pressure level (LpA): 76.2 dB (A) ; K= 3 dB(A)

Measured sound power level (LpA): 87 dB (A) ; K= 2.33 dB(A)

Guaranteed sound power level (LpA): 96 dB (A) ;

WAŻNE INFORMACJE

Aby osiągnąć najwyższą satysfakcję, cieszyć się wydajnością produktu i poznać jego wszystkie cechy i funkcje, prosimy o przeczytanie niniejszej instrukcji przed przystąpieniem do korzystania z tego produktu. Przed rozpoczęciem użytkowania urządzenia przeczytać instrukcję obsługi i postępować według wskazówek w niej zawartych. Producent nie odpowiada za szkody spowodowane użytkowaniem urządzenia niezgodnie z jego przeznaczeniem lub niewłaściwą jego obsługą. Instrukcję obsługi należy zachować, aby można było korzystać z niej również w trakcie późniejszego użytkowania wyrobu.

- Nie zanurzaj urządzenia w wodzie lub żadnym innym płynie.
- Urządzenie powinno być regularnie czyszczone według zaleceń opisanych w części o Czyszczeniu i konserwacji urządzenia.
- Nie umieszczaj urządzenia blisko źródeł ciepła, płomieni, elektrycznego elementu Nie umieszczaj na żadnym innym urządzeniu.
- Należy zachować szczególną ostrożność podczas korzystania z urządzenia, gdy w pobliżu przebywają dzieci lub zwierzęta domowe.
- Nie należy dopuszczać dzieci do zabawy urządzeniem.
- Nie wystawiaj urządzenia na działanie warunków atmosferycznych (deszczu, słońca, etc.) ani nie używaj w warunkach podwyższonej wilgotności.
- Używaj tylko oryginalnych akcesoriów oraz części zamiennych do urządzenia lub rekomendowanych przez producenta. Używanie akcesoriów lub części nierekomendowanych przez producenta może doprowadzić do uszkodzenia urządzenia oraz zagrozić bezpieczeństwu użytkownika.
- Dbaj o porządek i dobre oświetlenie w miejscu pracy.
- Nieporządek i niewystarczające oświetlenie prowadzą do wypadków.

- Chwila nieuwagi grozi utratą panowania nad narzędziem.
- Nie wychylaj się z elektronarzędziem zbyt daleko. Utrzymuj stabilną postawę i równowagę. Dzięki temu zachowasz lepszą kontrolę nad elektronarzędziem w nieprzewidzianych sytuacjach.
- Unikaj niezamierzonego uruchomienia elektronarzędzia. Przed podłączeniem elektronarzędzia do sieci elektrycznej sprawdź, czy wyłącznik zasilania znajduje się w położeniu wyłączonym (OFF). Przenoszenie elektronarzędzia z palcem na spuście lub podłączanie elektronarzędzia do sieci już po włączeniu może prowadzić do wypadków.
- Zakładaj odpowiednią odzież. Nie pracuj w luźnym ubraniu i nie noś biżuterii podczas pracy. Włosy, odzież i rękawice trzymać z dala od ruchomych części. Ruchome części elektronarzędzia mogą pochwycić i wciągnąć luźne części odzieży, biżuterię lub długie włosy.
- Przed uruchomieniem elektronarzędzia wyjmij z niego wszystkie klucze lub narzędzia. Narzędzie lub klucz nadal połączony z częścią obrotową elektronarzędzia może spowodować obrażenia ciała.
- Podczas pracy z elektronarzędziami zachowuj ostrożność, skoncentruj się na pracy i stosuj zdrowy rozsądek. Nie używaj elektronarzędzia w razie zmęczenia lub pod wpływem środków odurzających, alkoholu lub leków. Nawet chwila nieuwagi podczas pracy z elektronarzędziem grozi poważnym wypadkiem.
- Trzymaj dzieci z dala od miejsca wykonywania pracy i NIE pozwalaj dzieciom na pociąganie za kabel zasilający – może to spowodować poważne obrażenia.
- Przed dokonaniem jakichkolwiek regulacji, wymianą akcesoriów lub odstawieniem elektronarzędzia do przechowania przestaw wyłącznik do położenia wyłączenia, aby odłączyć elektronarzędzie od zasilania. Takie działania zapobiegawcze zmniejszają ryzyko przypadkowego

uruchomienia elektronarzędzia.

- Z urządzenia można korzystać wyłącznie w suchym, dobrze oświetlonym otoczeniu.
- Z tego narzędzia nie powinny korzystać osoby poniżej 16 roku życia.

	Przeczytaj podręcznik użytkownika.		Stosuj ochronę uszu
	Ostrzeżenie ogólne		Zakładaj rękawice ochronne
	Niebezpieczeństwo pożaru		Zakładaj odzież ochronną
	Niebezpieczeństwo porażenia prądem		Zakładaj maskę ochronną
	Zakładaj okulary ochronne	15 	Stosuj ochronę dróg oddechowych

1. Ostrzeżenie o zagrożeniu. Zachować szczególną ostrożność.
2. Ważne, przeczytać instrukcję i przestrzegać ostrzeżeń.
3. Używać okularów ochronnych.
4. Używać naszników ochronnych.
5. Odłączać od źródła zasilania zawsze przed naprawą lub konserwacją. W przypadku uszkodzenia kabla niezwłocznie wyjąć wtyczkę z gniazdka elektrycznego.
6. Nie używać urządzenia w deszczu albo w warunkach podwyższonej wilgotności.

Bezpieczeństwo w miejscu pracy :

- Urządzenie jest przeznaczone do przycinania trawy. Nie używaj urządzenia do innych czynności.
- W miejscu pracy należy utrzymywać porządek i dobre oświetlenie. Nieporządek i złe oświetlenie przyczynia się do

wystąpienia wypadków.

- Przed rozpoczęciem pracy należy przygotować i oczyścić teren, usunąć wszystkie wystające z ziemi kamienie, gałęzie, druty, i inne obce przedmioty, o które istnieje ryzyko potknięcia.
- Zachować szczególną ostrożność jeżeli prace odbywają się na pochylonym terenie czy zboczach.
- Nie należy używać urządzenia zasilanego elektrycznie w środowiskach wybuchowych, tworzonych przez łatwopalne ciecze, gazy lub pyły. Urządzenie może wytwarzać iskry, które mogą zapalić pył lub opary.
- Nie należy dopuszczać dzieci i obserwatorów do miejsc, w których używane jest urządzenie z silnikiem napędzanym elektrycznie. Rozproszenie uwagi może spowodować utratę kontroli nad urządzeniem.
- Sprzęt ogrodowy zasilany elektrycznie należy pozostawiać z dala od osób postronnych.
- Operator lub użytkownik jest odpowiedzialny za wypadki lub występujące zagrożenia wobec innych osób lub otoczenia.

Bezpieczeństwo elektryczne

- Urządzenie należy podłączyć wyłącznie do gniazdka o charakterystyce zgodnej z wartościami na tabliczce znamionowej.
- Nie należy narażać urządzeń zasilanych elektrycznie na działanie deszczu lub warunków wilgotnych. W przypadku przedostania się wody do elektronarzędzia, wzrasta ryzyko porażenia prądem elektrycznym.

Bezpieczeństwo ludzi

- Nie należy przystępować do pracy z urządzeniem jeżeli

użytkownik czuje zmęczenie lub jest pod wpływem alkoholu, narkotyków, leków. Podczas używania urządzenia wymagane jest pełne skupienie, należy zachować ostrożność. Moment nieuwagi podczas użytkowania elektronarzędzia może prowadzić do wypadku i w konsekwencji poważnych obrażeń lub strat w mieniu.

- Koniecznie stosować środki ochrony indywidualnej. Zawsze nosić okulary ochronne przylegające ściśle do twarzy (zgodne z normą EN 166 lub innymi przepisami krajowymi). Ze względu na głośność urządzenia nosić ochronniki słuchu. Zaleca się również używanie wyposażenia ochronnego jak maska przeciwpyłowa, obuwie ochronne antypoślizgowe z cholewkami, rękawice ochronne.
- Należy nosić ściśle dopasowaną odzież. Luźne ubranie, biżuteria, szalik mogą zostać zaczepione przez części ruchome urządzenia, co może prowadzić do groźnych wypadków. W przypadku gdy użytkownik posiada długie włosy, powinny one zostać zabezpieczone i spięte.
- Podczas pracy urządzenie może wyrzucać z dużą prędkością różne przedmioty. Istnieje niebezpieczeństwo zranienia. Zaleca się używania odpowiedniej odzieży.
- Przed uruchomieniem elektronarzędzia należy usunąć wszystkie klucze i inne narzędzia służące do nastawiania urządzenia. Pozostawienie klucza w obracającej się części elektronarzędzia może spowodować obrażenia.
- Unikać pracy w nienaturalnej pozycji ciała. Przyjmować prawidłową i stabilną postawę aby uniknąć możliwości utraty równowagi. Umożliwi to lepszą kontrolę elektronarzędzia w sytuacjach nieprzewidywalnych.
- Należy unikać niezamierzonego rozruchu. Przed podniesieniem lub przenoszeniem urządzenia upewnić się, że przewód zasilający jest odłączony od sieci zasilającej a

włącznik jest w pozycji wyłączony. Przenoszenie sprzętu o napędzie elektrycznym z palcem na wyłączniku lub przyłączenie do sieci zasilającej przy załączonym włączniku może prowadzić do wypadku.

- Trzymać ręce i stopy z dala od ruchomych (wirujących) części urządzenia.
- Zachować bezpieczną odległość od osób postronnych.
- Pomimo zastosowania konstrukcji bezpiecznej z

Instrukcje dotyczące bezpieczeństwa ładowarki i akumulatora

- Aby podłączyć akumulator do ładowania należy go wsunąć w ładowarkę, a następnie ładowarkę podłączyć do źródła zasilania.
- Chroń ładowarkę przed deszczem i wilgocią. Ładowarka może być używana wyłącznie w pomieszczeniach.
- Utrzymuj ładowarkę w czystości.
- Nie używaj ładowarki na łatwopalnych przedmiotach i podłożach (np. papierze) ani w środowiska z atmosferą wybuchową i/lub łatwopalną.
- Zawsze zapewnij odpowiednią wentylację podczas ładowania, ponieważ opary lub elektrolit mogą wyciekać z akumulatora, jeśli akumulator jest uszkodzony w wyniku niewłaściwego obchodzenia się z nim/uszkodzenia.
- Po zakończeniu ładowania odłącz ładowarkę od gniazdka ściennego. nie pozostawiaj go podłączonego do źródła zasilania dłużej niż to konieczne.
- Przechowuj i ładuj akumulator w suchym miejscu i upewnij się, że nie dostanie się do niego woda.
- Utrzymuj złącza akumulatora w czystości i wolne od zabrudzeń.
- Chroń akumulator przed wstrząsami, wilgocią i nigdy nie

otwieraj ani nie uszkadzaj mechanicznie akumulatora.

- Aby sprawdzić poziom naładowania akumulatora, należy nacisnąć przycisk na akumulatorze i w razie potrzeby naładować akumulator zgodnie z liczbą diod LED i przewidywanym czasem pracy narzędzia bezprzewodowego.

Informacja ogólna

- Przed przystąpieniem do demontażu kosza, konieczne jest wyłączenie silnika, aby uniknąć potencjalnych niebezpieczeństw. Zawsze należy przestrzegać bezpiecznej odległości między obudową ostrza a użytkownikiem, co zapewniają odpowiednie uchwyty. Warto być szczególnie ostrożnym podczas koszenia, zwłaszcza na zboczach, i podczas zmiany kierunku jazdy. W tym celu zaleca się noszenie obuwia z antypoślizgową podeszwą oraz długich spodni, aby zminimalizować ryzyko urazów.
- Podczas demontażu kosza i zmiany kierunku jazdy na zboczach, należy zachować stabilną pozycję. Kosiarkę zawsze należy prowadzić w poprzek zbocza i unikać koszenia na stokach o nachyleniu powyżej 15° ze względów bezpieczeństwa. Ważne jest również, aby być ostrożnym podczas cofania się i ciągnięcia kosiarki, aby uniknąć potknięć.
- Po zdemontowaniu kosza, osłona odbojowa powinna zamykać tylny otwór wyrzutowy, co zabezpiecza przed przypadkowym dostępem do ostrza. Jeśli w otworze pozostanie trawa, zaleca się przesunięcie kosiarki na pewnym dystansie, trawa powinna swobodnie wypaść. Ułatwi to ponowne rozruch silnika. Nie usuwać zanieczyszczeń z obudowy kosiarki i noża ręcznie lub nogami, lecz użyć do tego celu odpowiednich narzędzi,

takich jak szczotka ręczna.

- Podczas zakładania kosza zbierającego, upewnij się, że silnik jest wyłączony, a narzędzie tnące nieruchome. Podnieś osłonę odbojową jedną ręką, a drugą trzymaj worek za uchwyt, zawieszając go od góry. W celu zapewnienia skutecznego zbierania trawy, zaleca się regularne czyszczenie kosza, szczególnie zwracając uwagę na kratki. Działania te przyczynią się do utrzymania bezpieczeństwa i efektywności użytkowania kosiarki.



Jeśli na urządzeniu znajduje się znak przekreślonego kosza na śmieci, oznacza to, że produkt jest objęty postanowieniami dyrektywy europejskiej 2012/19/EU. Należy zapoznać się z wymaganiami dotyczącymi lokalnego systemu zbiórki odpadów elektrycznych i elektronicznych. Należy postępować zgodnie z lokalnymi przepisami. Nie wolno wyrzucać tego produktu razem ze zwykłymi odpadami domowymi. Prawidłowe usunięcie starego produktu zapobiegnie potencjalnym negatywnym skutkom dla środowiska naturalnego i zdrowia ludzkiego.

Szczegółowe informacje o najbliższym punkcie zbiórki można uzyskać bezpośrednio od sprzedawcy lub w firmie:

Blaupunkt Competence Center, 2N-Everpol Sp. z o.o., ul. Puławska 403A, 02-801 Warszawa, tel. +48 22 688 08 00, email: info@everpol.pl



Produkt został wyprodukowany z wysokiej jakości materiałów i podzespołów, które można poddać recyklingowi i ponownie użyć.

Opis urządzenia (A)

- | | |
|--|--|
| 1 Górny uchwyt | 13 Pojemnik na trawę |
| 2 Dźwignie dociskające do mocowania górnej części kosiarki | 13a Plastikowe zakładki |
| 3 Dolny uchwyt | 13b Pręty pojemnika na trawę |
| 4 Tylna kłapa | 13c Uchwyt do pojemnika na trawę |
| 5 Dźwignie dociskające do mocowania dolnej części kosiarki | 14 Uchwyt kabla |
| 6 Uchwyt do przenoszenia | 15 Przewód |
| 7 Dźwignia do regulacji wysokości koszenia | 16 Przycisk zwalniający |
| 8 Osłona akumulatorów | 17 Uchwyt startowy |
| 9 Akumulatory (brak w zestawie) | 18 Zestaw do wyrzutu trawy |
| 9a Przycisk zwalniający na akumulatorze | 18a Wspornik na zestawie do ściółkowania |
| 10 Kluczyk zapłonu | 19 Podwójna ładowarka |
| 11 Koła | 20 Ostrze |
| 12 Obudowa urządzenia | 21 Śruba ostrza |
| | 22 Wrzeczono silnika |

Włączanie i wyłączenie (G):

Nie należy uruchamiać urządzenia niekompletnego czy nieprawidłowo złożonego. Przed uruchomieniem sprawdź czy wszystkie elementy zabezpieczające są w dobrym stanie.

1. Należy umieścić urządzenie na równej powierzchni.
2. Następnie należy podnieść pokrywę (8) obudowy urządzenia i włożyć naładowane akumulatory (9).
3. Należy włożyć kluczyk zapłonu (10) do odpowiedniego otworu obok akumulatora (9). (Kluczyk zapłonu można włożyć tylko w jednym położeniu)
4. Przed włączeniem urządzenia należy upewnić się, że ostrze nie dotyka żadnych przedmiotów.
5. Aby włączyć urządzenie, należy nacisnąć przycisk zwalniający blokadę (16) i przytrzymać go, następnie naciskając dźwignię uruchamiania (17). Następnie należy puścić przycisk zwalniającą blokadę (16).
6. Aby wyłączyć urządzenie, należy puścić dźwignię rozruchu (17).

Po wyłączeniu urządzenia ostrze obraca się jeszcze przez kilka sekund. Nie należy dotykać poruszającego się ostrza.

Aby wyjąć akumulator (9) z urządzenia, należy nacisnąć przycisk zwalniający (9a) na akumulatorze i wyciągnąć akumulator.

Aby włożyć akumulator (9), należy wepchnąć ją wzdłuż prowadnicy.

Demontaż pojemnika na trawę (E)

1. Aby zamontować pojemnik na trawę (13), należy podnieść tylną klapę (4) i zawiesić pojemnik na trawę (13) na obu uchwytych.
2. Należy złożyć tylną klapę (4) nad pojemnikiem na trawę (13).
3. Aby wyjąć pojemnik na trawę (13), należy podnieść osłonę (4) i wyjąć pojemnik na trawę (13).
4. Należy złożyć tylną klapę (4) z powrotem na obudowę urządzenia (12).

Ustawianie wysokości (F):

1. Należy chwycić dźwignię (7) regulacji wysokości cięcia i przesunąć ją obok mechanizmu zapadkowego do żądanej wysokości cięcia.

Urządzenie posiada 6 pozycji do regulacji wysokości cięcia (F):

25 mm/35 mm - niska wysokość cięcia

45 mm/55 mm - średnia wysokość cięcia

65 mm/75 mm - duża wysokość cięcia

Prawidłowa wysokość koszenia wynosi od 25 do 45 mm w przypadku trawnika ozdobnego i około 45-65 mm w przypadku trawnika użytkowego.

Przechowywanie (K)

- Należy zwolnić dźwignię dociskającą (2+5) i złożyć górny drążek (1) i dolny drążek (3) razem, aby urządzenie zajmowało mniej miejsca. Należy przy tym uważać, aby nie przytrzasnąć kabli urządzenia.
- Urządzenie należy przechowywać w suchym miejscu, niedostępnym dla dzieci.
- Przed przechowywaniem urządzenia w zamkniętej przestrzeni należy odczekać, aż silnik ostygnie.

MONTAŻ

Montaż dolnego drążka (B)

1. Należy złożyć dolne mocowanie (3) do góry.
2. Należy obrócić dolne dźwignie (5) zgodnie z ruchem wskazówek zegara, aby je zamocować.
3. Zablokować dźwignie zaciskowe (5), należy je docisnąć w kierunku dolnego drążka (3). Dźwignie zaciskowe należy mocno pociągnąć, a następnie ustawić w odpowiedniej pozycji do pręta, tak aby dokręcanie mogło być przeprowadzone ze średnią siłą. Jeśli to się nie powiedzie, kontynuuj obracanie dźwigni dokręcania zgodnie z ruchem wskazówek zegara lub należy poluzować ją, obracając ją w kierunku przeciwnym do ruchu wskazówek zegara.

Montaż górnego drążka (C)

1. Należy przymocować górny drążek (1) za pomocą śrub (2b), podkładek (2a) i górnych dźwigni (2) po prawej i lewej stronie dolnego drążka (3). Przycisk zwalniający (16) musi znajdować się po prawej stronie w kierunku koszenia. Możliwe są dwie pozycje.
2. Należy przekręcić dźwignie zaciskową (2) zgodnie z ruchem wskazówek zegara.
3. Zablokować dźwignie zaciskowe (2), naciskając je w kierunku drążka (3). Dźwignie dokręcania muszą opierać się o pręt w taki sposób, aby możliwe było dokręcenie ze średnią siłą. Jeśli to się nie powiedzie, należy kontynuować obracanie dźwigni dokręcania w kierunku zgodnym z ruchem wskazówek zegara lub poluzować ją, obracając w kierunku przeciwnym do ruchu wskazówek zegara.

Montaż pojemnika na trawę (E)

1. Zatrzasnąć uchwyt (13c) pojemnika na trawę (13) w górnej części pojemnika na trawę (13).
2. Umieścić plastikowe wypustki (13a) pojemnika na trawę (13) na prętach pojemnika na trawę (13b).

Zestaw do wyrzutu traw (J)

Mocowanie zestawu do wyrzutu trawy

1. Należy wyjąć pojemnik na trawę.
2. Następnie należy podnieść tylną klapę
3. Należy wsunąć zestaw wyrzutu trawy (18) na miejsce. Wspornik (18a) zatrzaśnie się na swoim miejscu.

Demontaż zestawu do wyrzutu trawy (J)

4. Wyciągnąć wspornik (18a) i zdjąć zestaw do wyrzutu trawy (18)

Czyszczenie i konserwacja:

Wymij akumulator z urządzenia przed serwisowaniem i przechowywaniem! Kontakt części ciała z ruchomym elementem tnącym grozi obrażeniami, kalectwem lub śmiercią!

Pamiętaj że element tnący porusza się jeszcze przez chwilę po wyłączeniu silnika.

- Zachowanie czystości i regularna konserwacja są kluczowe dla prawidłowego funkcjonowania urządzenia. Zalecamy dokładne czyszczenie kosiarki po każdym użyciu, używając do tego celu szczotki, szmatki lub sprężonego powietrza. Ważne jest, aby unikać stosowania środków czyszczących czy rozpuszczalników, a także dbać o to, aby woda nie dostawała się do wnętrza urządzenia.
- Przed każdym użyciem warto dokładnie sprawdzić kosiarkę pod kątem widocznych usterek, takich jak luźne lub uszkodzone elementy. Regularne kontrolowanie dokręcenia wszystkich śrub i wkrętów jest kluczowe, ponieważ zużyte lub niedokręcone elementy mogą prowadzić do niebezpiecznych uszkodzeń silnika lub ramy.
- Należy regularnie monitorować stan obudowy, elementów bezpieczeństwa i kosza zbierającego pod kątem ewentualnych uszkodzeń i sprawdzić ich stabilność przymocowania. Jeśli zauważysz jakiegokolwiek nieprawidłowości, zaleca się ich natychmiastową naprawę lub wymianę na nowe.
- Po zakończonym koszeniu odczekaj, aż silnik ostygnie, zanim odstawisz kosiarkę do miejsca przechowywania. W przypadku mocnego uderzenia noża w obcy przedmiot, natychmiast

- zatrzymaj kosiarkę i skonsultuj się z serwisem.
- Po każdym koszeniu dokładnie sprawdzać kosiarkę i usuwać wszelkie pozostałości roślinne z kół, otworów i spod obudowy (komory noża). Do tego celu stosować delikatne narzędzia, takie jak kawałek drewna lub plastiku, unikając twardych narzędzi, które mogą uszkodzić urządzenie.
- Aby zminimalizować ryzyko pożaru, regularnie należy czyścić komorę silnika z resztek roślinnych. Należy usunąć wszelkie zielone pozostałości otaczające silnik, zaleca się przeprowadzenie tej czynności przynajmniej po zakończeniu sezonu koszenia. Przy intensywnym użytkowaniu, warto powtórzyć czyszczenie 1-2 razy w trakcie sezonu, dbając o to, aby nóż zawsze był ostry i dobrze wyważony, co gwarantuje optymalne cięcie.

Dane techniczne:

Napięcie akumulatora 2 x 18 V, kompatybilny z serią OneDNA 18V, Blaupunkt BP1840, BP1850

Prędkość bez obciążenia n=2900 minut¹

Szerokość cięcia: 430 mm

Wysokość cięcia: 25/35/45/60/75 mm

Pojemność zbiornika na skoszoną trawę: 30l

Waga bez akumulatora/ładowarki 10,6 kg

Stopień ochrony IP40

Hałas

Poziom ciśnienia akustycznego (LpA): 76.2 dB (A); K= 3 dB(A)

Zmierzony poziom mocy akustycznej (LpA): 87 dB (A); K= 2.33 dB(A)

Gwarantowany poziom mocy akustycznej (LpA): 96 dB (A);

DŮLEŽITÉ INFORMACE

Abyste dosáhli nejvyšší spokojenosti, užili si výkon výrobku a seznámili se se všemi jeho vlastnostmi a funkcemi, přečtěte si před použitím tohoto výrobku tento návod. Před použitím přístroje si přečtěte návod a postupujte podle pokynů v něm obsažených. Výrobce neodpovídá za škody způsobené používáním přístroje v rozporu s jeho určením nebo nesprávným zacházením. Návod k obsluze si uschovejte, abyste jej mohli použít i při pozdějším používání výrobku.

- Neponořujte přístroj do vody ani do jiné kapaliny.
- Spotřebič pravidelně čistěte podle pokynů uvedených v části Čištění a údržba spotřebiče.
- Neumísťujte spotřebič do blízkosti zdrojů tepla, plamene, elektrického prvku Neumísťujte jej na jiný spotřebič.
- Při používání spotřebiče dbejte zvýšené opatrnosti, pokud jsou v jeho blízkosti děti nebo domácí zvířata.
- Nedovolte dětem, aby si se spotřebičem hrály.
- Nevystavujte spotřebič povětrnostním vlivům (déšť, slunce apod.) a nepoužívejte jej ve vlhkém prostředí.
- Používejte pouze originální příslušenství a náhradní díly pro spotřebič nebo díly doporučené výrobcem. Použití příslušenství nebo náhradních dílů, které nejsou doporučeny výrobcem, může spotřebič poškodit a ohrozit bezpečnost používání.
- Pracovní prostor udržujte uklizený a dobře osvětlený.
- Nepořádek a nedostatečné osvětlení vedou k nehodám.
- Při chvilkové nepozornosti hrozí ztráta kontroly nad nářadím.
- S elektrickým nářadím se příliš nenaklánějte. Udržujte stabilní postoj a rovnováhu. To vám pomůže udržet lepší kontrolu nad elektrickým nářadím v nepředvídaných

situacích.

- Vyvarujte se neúmyslnému spuštění elektrického nářadí. Před připojením elektrického nářadí k elektrické síti zkontrolujte, zda je vypínač v poloze OFF. Přenášení elektrického nářadí s prstem na spoušti nebo připojení elektrického nářadí k síti poté, co již bylo zapnuto, může vést k nehodám.
- Noste vhodný oděv. Při práci nepracujte ve volném oděvu a nenoste šperky. Udržujte vlasy, oděv a rukavice mimo dosah pohyblivých částí. Pohyblivé části elektrického nářadí mohou zachytit a přitáhnout volný oděv, šperky nebo dlouhé vlasy.
- Před spuštěním elektrického nářadí z něj odstraňte všechny klíče nebo nástroje. Nářadí nebo klíč stále připojený k rotující části elektrického nářadí může způsobit zranění.
- Při práci s elektrickým nářadím dbejte zvýšené opatrnosti, soustřeďte se na práci a používejte zdravý rozum. Nepoužívejte elektrické nářadí, pokud jste unaveni nebo pod vlivem drog, alkoholu nebo léků. I chvilková nepozornost při práci s elektrickým nářadím hrozí vážnou nehodou.
- Udržujte děti mimo pracovní prostor a **NEDOVOLTE** dětem tahat za napájecí kabel, může to způsobit vážné zranění.
- Před jakýmkoliv úpravami, výměnou příslušenství nebo odložením elektrického nářadí k uskladnění přepněte spínač do polohy vypnuto, abyste odpojili elektrické nářadí od zdroje napájení. Tato opatření snižují riziko náhodného spuštění elektrického nářadí.
- Nářadí používejte pouze v suchém a dobře osvětleném prostředí.
- Toto nářadí by neměly používat osoby mladší 16 let.

	Přečtěte si uživatelskou příručku.		Používejte ochranu sluchu
	Všeobecné varování		Používejte ochranné rukavice.
	Nebezpečí požáru		Používejte ochranný oděv.
	Nebezpečí úrazu elektrickým proudem		Používejte ochrannou masku
	Používejte ochranné brýle		Používejte ochranu dýchacích cest:

- 1 Varování před nebezpečím. Dbejte zvýšené opatrnosti.
- 2 Důležité, přečtěte si návod k použití a dodržujte varování.
- 3 Používejte ochranné brýle.
4. Používejte ochranné chrániče sluchu.
5. Před opravou nebo opravou vždy odpojte od zdroje napájení. údržbě. V případě poškození kabelu okamžitě odpojte tento přístroj ze zásuvky.
6. Nepoužívejte přístroj za deště nebo v podmínkách vysoké vlhkosti.

Bezpečnost na pracovišti :

- Přístroj je určen k sekání trávy. Nepoužívejte přístroj k jiným činnostem.
- Pracovní prostor udržujte čistý a dobře osvětlený. Nepořádek a špatné osvětlení přispívají k nehodám.
- Před zahájením práce připravte a vyklidte prostor, odstraňte všechny kameny, větve, dráty a jiné cizí předměty vyčnívající

ze země, o které hrozí nebezpečí zakopnutí.

- Zvláštní pozornost věnujte práci ve svažitém terénu nebo na svazích.
- Nepoužívejte elektricky poháněný spotřebič ve výbušném prostředí tvořeném hořlavými kapalinami, plyny nebo prachem. Spotřebič může vytvářet jiskry, které mohou zapálit prach nebo výpary.
- Nevpuštějte děti nebo pozorovatele do prostor, kde se používá elektricky poháněný spotřebič. Rozptýlení může způsobit ztrátu kontroly nad spotřebičem.
- Elektricky poháněné zahradní zařízení ponechte mimo dosah okolostojících osob.
- Obsluha nebo uživatel jsou odpovědní za nehody nebo nebezpečí, které vzniknou jiným osobám nebo životnímu prostředí.

Elektrická bezpečnost

- Spotřebič připojujte pouze k zásuvce s charakteristikami odpovídajícími hodnotám uvedeným na typovém štítku.
- Nevystavujte elektricky napájené zařízení dešti nebo vlhku. Pokud se do elektrického nářadí dostane voda, zvyšuje se riziko úrazu elektrickým proudem.

Bezpečnost osob

- Zařízení nepoužívejte, pokud se uživatel cítí unavený nebo je pod vlivem alkoholu, drog nebo léků. Při používání zařízení je nutné plné soustředění a je třeba dbát zvýšené opatrnosti. Chvilka nepozornosti při používání elektrického nářadí může vést k nehodě a následnému vážnému zranění nebo poškození majetku.
- Je nezbytné používat osobní ochranné pomůcky. Vždy

používejte těsně přiléhající ochranné brýle (podle normy EN 166 nebo jiných národních předpisů). Vzhledem k hlasitosti zařízení používejte ochranu sluchu. Doporučuje se také používat ochranné pomůcky, jako je protiprachová maska, protiskluzová bezpečnostní obuv se svrškem, ochranné rukavice.

- Noste přiléhavý oděv. Volné oblečení, šperky, šátky se mohou zachytit o pohyblivé části stroje, což může vést k nebezpečným nehodám. Pokud má uživatel dlouhé vlasy, měl by je mít zajištěné a sepnuté.
- Během provozu může spotřebič vysokou rychlostí vymršťovat různé předměty. Hrozí nebezpečí zranění. Doporučuje se používat vhodný oděv.
- Před spuštěním elektrického náradí vyjměte všechny klíče a jiné nástroje používané k seřízení přístroje. Ponechání klíče v rotující části elektrického náradí může způsobit zranění.
- Vyvarujte se práce v nepřírozené poloze těla. Zaujměte správný a stabilní postoj, abyste předešli možnosti ztráty rovnováhy. To umožní lepší ovládání elektrického náradí v nepředvídatelných situacích.
- Vyvarujte se neúmyslného spuštění. Před zvednutím nebo přenášením zařízení se ujistěte, že je napájecí kabel odpojen a vypínač je ve vypnuté poloze. Přenášení elektricky poháněného zařízení s prstem na vypínači nebo připojení k elektrické síti se zapnutým vypínačem může vést k nehodě.
- Udržujte ruce a nohy mimo dosah pohyblivých (rotujících) částí zařízení.
- Dodržujte bezpečnou vzdálenost od okolostojících osob.
- Navzdory přirozeně bezpečné konstrukci samotná konstrukce, používání bezpečnostních opatření a dalších ochranných opatření, vždy existuje riziko zbytkového

zranění během provozu.

- K čištění stroje nepoužívejte čisticí prostředky ani alkohol.
- Systém upevnění pracovního nástroje musí odpovídat rozměrům elektrického nářadí. Pracovní nástroje s nesprávnými rozměry nelze dostatečně chránit ani ovládat.
- Musí se používat osobní ochranné pomůcky. V závislosti na druhu práce používejte ochrannou masku zakrývající celý obličej, ochranu očí, např. ochranné brýle. Chraňte oči před cizími tělesy, která vznikají při práci ve vzduchu. Chraňte dýchací cesty před prachem a parami přenášenými vzduchem pomocí protiprachové masky. Dlouhodobé vystavení hluku může vést ke ztrátě sluchu.
- Zajistěte, aby se okolostojící osoby nacházely v bezpečné vzdálenosti od pracovního prostoru stroje. Každý, kdo se nachází v blízkosti pracujícího elektrického nářadí, musí používat osobní ochranné prostředky.
- Pravidelně čistěte větrací otvory zařízení.
- Před každým uvedením do provozu zkontrolujte, zda: - je zařízení správně sestaveno v souladu s návodem k obsluze; - je řezný nástroj v dobrém technickém stavu; je třeba pravidelně kontrolovat upevnění nože, jeho poškození a opotřebení; - jsou bezpečnostní zařízení (např. kryt řezné jednotky, kryt, rukojeť, spínač motoru) v dobrém technickém stavu a správně fungují. Po vypnutí stroje zůstává nůž ještě nějakou dobu v pohybu. Je třeba dbát zvýšené opatrnosti.

Bezpečnostní pokyny pro nabíječku a akumulátor

- Chcete-li připojit akumulátor k nabíjení, vložte akumulátor do nabíječky a poté připojte nabíječku ke zdroji napájení.

- Nabíječku chraňte před deštěm a vlhkostí. Nabíječka se smí používat pouze v interiéru.
- Nabíječku udržujte v čistotě.
- Nabíječku nepoužívejte na hořlavých předmětech a podkladech (např. papír) ani v prostředí s výbušnou a/nebo hořlavou atmosférou.
- Při nabíjení vždy zajistěte dostatečné větrání, protože při poškození baterie v důsledku nesprávné manipulace/poškození může dojít k úniku výparů nebo elektrolytu z baterie.
- Po dokončení nabíjení odpojte nabíječku od síťové zásuvky. Nenechávejte ji připojenou ke zdroji napájení déle, než je nutné.
- Akumulátor skladujte a nabíjejte na suchém místě a dbejte na to, aby se do něj nedostala voda.
- Udržujte konektory baterie čisté a zbavené nečistot.
- Chraňte baterii před nárazy, vlhkostí a nikdy ji neotvírejte ani mechanicky nepoškozujte.
- Chcete-li zkontrolovat úroveň nabití akumulátoru, stiskněte tlačítko na akumulátoru a v případě potřeby akumulátor nabijte podle počtu LED diod a předpokládané doby provozu akumulátorového nářadí.

Všeobecné informace

- Před vyjmutím koše je nutné vypnout motor, aby se předešlo možnému nebezpečí. Vždy dodržujte bezpečnou vzdálenost mezi krytem nože a uživatelem, kterou zajišťují vhodné rukojeti. Při sečení, zejména na svazích, a při změně směru je vhodné dbát zvýšené opatrnosti. Za tímto účelem se doporučuje nosit obuv s protiskluzovou podrážkou a

dlouhé kalhoty, aby se minimalizovalo riziko zranění.

- Při sundávání koše a změně směru na svazích udržujte stabilní polohu. Sekačkou vždy jezděte napříč svahem a z bezpečnostních důvodů se vyhněte sečení na svazích se sklonem nad 15°. Důležité je také dávat pozor při couvání a tažení sekačky, aby nedošlo k zakopnutí.
- Po vyjmutí sekačky by měl nárazníkový kryt uzavřít zadní výhozový otvor, aby se zabránilo náhodnému přístupu k noži. Pokud v otvoru zůstane tráva, doporučujeme sekačku posunout o určitou vzdálenost, tráva by měla volněji vypadávat. Tím se usnadní opětovné spuštění motoru. Neodstraňujte nečistoty z krytu sekačky a nože rukou nebo nohou, ale použijte vhodné nářadí, například ruční kartáč.
- Při nasazování sběrného koše se ujistěte, že je motor vypnutý a žací nástroj stojí. Jednou rukou zvedněte ochranný kryt nárazníku a druhou rukou uchopte sběrný koš za rukojeť a zavěste jej shora. Pro zajištění účinného sběru trávy se doporučuje koš pravidelně čistit, přičemž zvláštní pozornost věnujte mřížkám. Tato opatření přispějí k zachování bezpečnosti a účinnosti sekačky.



Je-li produkt označen tímto symbolem přeškrtnuté popelnice, podléhá produkt evropské směrnici 2012/19/EU. Seznamte se s požadavky místního systému zpětného odběru elektrických a elektronických zařízení. Postupujte v souladu s místními platnými předpisy. Výrobek nevyhazujte s běžným domácím odpadem. Odborná likvidace starého produktu předchází potenciálnímu poškození životního prostředí a zdraví.



Produkt byl vyroben z vysoce kvalitních materiálů a složek, které lze recyklovat a opakovaně používat.

Popis spotřebiče (A)

- | | |
|--|------------------------------|
| 1 Horní rukojeť | 13a Plastové výstupky |
| 2 Stiskací páčky pro zajištění horní části sekačky | 13b Tyče kontejneru na trávu |
| 3 Spodní rukojeť | 13c Rukojeť koše na trávu |
| 4 Zadní klapka | 14 Držák kabelu |
| 5 Stiskací páky pro zajištění spodní části sekačky | 15 Kabel |
| 6 Rukojeť pro přenášení | 16 Uvolňovací tlačítko |
| 7 Páka pro nastavení výšky sečení | 17 Rukojeť startéru |
| 8 Kryt baterie | 18 Sada pro vyhazování trávy |
| 9 Baterie (nejsou součástí dodávky) | 18a Držák mulčovací sady |
| 9a Uvolňovací tlačítko na baterii | 19 Dvojitá nabíječka |
| 10 Klíč zapalování | 20 Čepel |
| 11 Kolečka | 21 Šroub nože |
| 12 Kryt stroje | 22 Vřeten motoru |
| 13 Nádobu na trávu | |

Zapínání a vypínání (G):

Nespouštějte přístroj nekompletní nebo nesprávně sestavený. Před spuštěním zkontrolujte, zda jsou všechny bezpečnostní součásti v dobrém stavu.

- Umístěte jednotku na rovný povrch.
- Zvedněte kryt (8) krytu přístroje a vložte nabitě baterie (9).
- Vložte klíč zapalování (10) do příslušného otvoru vedle baterie (9). (Klíč zapalování lze vložit pouze do jedné polohy).
- Před zapnutím přístroje se ujistěte, že se nůž nedotýká žádných předmětů.
- Chcete-li jednotku zapnout, stiskněte tlačítko pro uvolnění zámku (16) a podržte jej stisknuté, poté stiskněte startovací páčku (17). Poté uvolněte uvolňovací tlačítko zámku (16).
- Chcete-li jednotku vypnout, pusťte startovací páčku (17). Po vypnutí spotřebiče se nůž ještě několik sekund otáčí. Nedotýkejte se pohybujícího se nože.
- Chcete-li ze spotřebiče vyjmout akumulátor (9), stiskněte uvolňovací tlačítko (9a) na akumulátoru a akumulátor vytáhněte. Chcete-li vložit akumulátor (9), zatlačte na něj podél vodítka.

Vyjmutí nádoby na trávu (E)

- Chcete-li nainstalovat nádobu na trávu (13), zvedněte zadní víko (4) a zavěste nádobu na trávu (13) na obě madla.
- Sklopte zadní dveře (4) nad nádobu na trávu (13).
- Chcete-li nádobu na trávu (13) vyjmout, zvedněte víko (4) a vyjměte nádobu na trávu (13).
- Sklopte zadní kryt (4) zpět na kryt stroje (12).

Nastavení výšky (F):

- Uchopte páčku (7) nastavení výšky sečení a posuňte ji za západkový mechanismus na požadovanou výšku sečení.

Stroj má 6 poloh pro nastavení výšky sečení (F):

- 25 mm/35 mm - nízká výška sečení
- 45 mm/55 mm - střední výška sečení
- 65 mm/75 mm - vysoká výška sečení

Správná výška sečení se pohybuje mezi 25 a 45 mm pro okrasný trávník a přibližně 45-65 mm pro užitkový trávník.

Skladování (K)

- Uvolněte přítlačnou páčku (2+5) a sklopte horní tyč (1) a spodní tyč (3) k sobě, abyste mohli jednotka zabírala méně místa. Dbejte přitom na to, abyste nepřiskřípli kabely jednotky.
- Přístroj skladujte na suchém místě mimo dosah dětí.
- Před uskladněním spotřebiče v uzavřeném prostoru nechte motor.

MONTÁŽ

Montáž spodní tyče (B)

1. Spodní nástavec (3) sklopte směrem nahoru.
2. Otočte spodní páky (5) ve směru hodinových ručiček, abyste je upevnili.
3. Zajistěte upínací páky (5), zatlačte je směrem ke spodnímu nástavci (3). Pevně zatáhněte za upínací páky a poté je vyrovnejte k tyči tak, aby bylo možné dotažení provést střední silou. Pokud se to nepodaří, pokračujte v otáčení utahovací páky ve směru hodinových ručiček nebo ji povolte otáčením proti směru hodinových ručiček.

Montáž horní tyče (C)

1. Připevněte horní tyč (1) pomocí šroubů (2b), podložek (2a) a horních pák (2) napravo a nalevo od spodní tyče (3). Uvolňovací tlačítko (16) musí být na pravé straně ve směru sečení. Jsou možné dvě polohy.
2. Otáčejte upínací pákou (2) ve směru hodinových ručiček.
3. Stisknutím upínací páky (2) ve směru lišty (3) ji zajistěte. Uťahovací páky se musí opírat o tyč tak, aby bylo možné utahování střední silou. Pokud se to nepodaří, pokračujte v otáčení utahovacích pák ve směru hodinových ručiček nebo je povolte otáčením proti směru hodinových ručiček.

Montáž zásobníku na trávu (E)

1. Zaklapněte rukojeť (13c) nádoby na trávu (13) do horní části nádoby na trávu (13).
2. Nasadte plastové výstupky (13a) nádoby na trávu (13) na tyče nádoby na trávu (13b).

Sada pro vyhazování trávy (J)

Upevnění soupravy pro vyhazování trávy

1. Vyměňte nádobu na trávu.
2. Zvedněte zadní klapku
3. Zasuňte vyhazovací soupravu na trávu (18) na místo. Držák (18a) zapadne na své místo.

Vyjmutí sady pro vyhazování trávy (J)

4. Vytáhněte držák (18a) a vyjměte soupravu pro vyhazování trávy (18).

Čištění a údržba:

Před údržbou a uskladněním vyjměte z přístroje baterii! Kontakt částí těla s pohyblivým žacím ústrojím může způsobit zranění, postižení nebo smrt!

Nezapomeňte, že sekací prvek se pohybuje ještě nějakou dobu po vypnutí motoru.

- Čistota a pravidelná údržba jsou pro správnou funkci stroje nezbytné. Doporučujeme sekačku po každém použití důkladně vyčistit pomocí kartáče, hadříku nebo stlačeného vzduchu. Je důležité vyhnout se používání čisticích prostředků nebo rozpouštědel a zajistit, aby se do přístroje nedostala voda.
- Před každým použitím je vhodné sekačku pečlivě zkontrolovat, zda na ní nejsou viditelné závady, například uvolněné nebo poškozené součásti. Klíčová je pravidelná kontrola utažení všech šroubů a vrutů, protože opotřebené nebo nedostatečně utažené součásti mohou vést k nebezpečnému poškození motoru nebo rámu.
- Pravidelně sledujte stav krytu, bezpečnostních prvků a sběrného koše, zda nejsou poškozeny, a kontrolujte stabilitu jejich upevnění. Pokud zjistíte jakékoli abnormality, doporučujeme je okamžitě opravit nebo vyměnit za nové.

- Po ukončení sečení počkejte, až motor vychladne, a teprve poté sekačku uložte. Pokud nůž silně narazí na cizí předmět, okamžitě sekačku zastavte a obraťte se na servisního technika.
- Po každém sečení sekačku pečlivě prohlédněte a odstraňte z kol, otvorů a zpod krytu (prostoru pro nůž) veškeré rostlinné zbytky. Použijte k tomu jemný nástroj, například kus dřeva nebo plastu, a vyhněte se tvrdým nástrojům, které by mohly stroj poškodit.
- Abyste minimalizovali riziko požáru, pravidelně čistěte motorový prostor od zbytků rostlin. Veškeré zelené zbytky v okolí motoru by měly být odstraněny a doporučuje se tuto operaci provést alespoň po skončení sezóny sečení. Při intenzivním používání je vhodné čištění během sezóny 1-2krát zopakovat a zajistit, aby byl nůž vždy ostrý a dobře vyvážený, což zaručí optimální sečení.

Technické údaje: V případě, že je žací nůž v provozu, je třeba jej vyměnit za jiný:

Napětí baterie 2 x 18 V, kompatibilní s řadou OneDNA18V, Blaupunkt BP1840, BP1850.

Otáčky naprázdno $n=2900$ minut¹

Šířka řezu: 430 mm

Výška řezu: 25/35/45/60/75 mm

Kapacita koše na posečenou trávu: 30l

Hmotnost bez baterie/nabíječky 10,6 kg

Stupeň krytí IP40

Hluk

Hladina akustického tlaku (LpA): 76.2 dB (A); K= 3dB(A)

Měřená hladina akustického výkonu (LpA): 87 dB (A); K= 2.33dB(A)

Zaručená hladina akustického výkonu (LpA): 96 dB (A);

DÔLEŽITÉ INFORMÁCIE

Aby ste dosiahli najvyššiu spokojnosť, vychutnali si výkon výrobku a spoznali všetky jeho vlastnosti a funkcie, prečítajte si pred použitím tohto výrobku tento návod. Pred použitím zariadenia si prečítajte príručku a postupujte podľa pokynov v nej uvedených. Výrobca nezodpovedá za škody spôsobené používaním zariadenia v rozpore s jeho určením alebo nesprávnym zaobchádzaním. Návod na obsluhu si uschovajte, aby ste ho mohli použiť aj pri neskoršom používaní výrobku.

- Neponárajte prístroj do vody ani do žiadnej inej kvapaliny.
- Spotrebič by sa mal pravidelne čistiť podľa popisu v časti Čistenie a údržba spotrebiča.
- Spotrebič neumiestňujte do blízkosti zdrojov tepla, plameňov, elektrických prvkov. Neumiestňujte ho na žiadny iný spotrebič.
- Pri používaní spotrebiča dbajte na zvýšenú opatrnosť, keď sú v jeho blízkosti deti alebo domáce zvieratá.
- Nedovoľte deťom, aby sa so spotrebičom hrali.
- Spotrebič nevystavujte poveternostným vplyvom (dážď, slnko atď.) a nepoužívajte ho vo vlhkom prostredí.
- Používajte len originálne príslušenstvo a náhradné diely pre spotrebič alebo diely odporúčané výrobcom. Použitie príslušenstva alebo náhradných dielov, ktoré nie sú odporúčané výrobcom, môže spotrebič poškodiť a ohroziť bezpečnosť používania.
- Pracovný priestor udržiavajte uprataný a dobre osvetlený.
- Neporiadok a nedostatočné osvetlenie vedú k nehodám.
- Pri chvíľkovej nepozornosti hrozí strata kontroly nad náradím.
- S elektrickým náradím sa príliš nenakláňajte. Udržujte stabilný postoj a rovnováhu. Pomôže vám to udržať lepšiu

kontrolu nad elektrickým náradím v nepredvídaných situáciách.

- Vyhnete sa neúmyselnému spusteniu elektrického náradia. Pred pripojením elektrického náradia k elektrickej sieti skontrolujte, či je vypínač v polohe OFF. Prenášanie elektrického náradia s prstom na spúšti alebo pripojenie elektrického náradia k elektrickej sieti po jeho zapnutí môže viesť k nehodám.
- Noste vhodný odev. Počas práce nepracujte vo voľnom odevu a nenoste šperky. Vlasy, odev a rukavice udržiajte mimo dosahu pohyblivých častí. Pohyblivé časti elektrického náradia môžu zachytiť a vťahnuť voľný odev, šperky alebo dlhé vlasy.
- Pred spustením elektrického náradia odstráňte z neho všetky kľúče alebo nástroje. Nástroj alebo kľúč, ktorý je stále pripojený k rotujúcej časti elektrického náradia, môže spôsobiť zranenie.
- Pri práci s elektrickým náradím buďte opatrní, sústreďte sa na prácu a používajte zdravý rozum. Elektrické náradie nepoužívajte, keď ste unavení alebo pod vplyvom drog, alkoholu alebo liekov. Aj pri chvíľkovej nepozornosti pri práci s elektrickým náradím hrozí riziko vážneho úrazu.
- Udržujte deti mimo pracovného priestoru a nedovoľte deťom ťahať za napájací kábel, môže to spôsobiť vážne poranenie.
- Pred vykonaním akýchkoľvek úprav, výmenou príslušenstva alebo odložením elektrického náradia na uskladnenie prepnite vypínač do polohy vypnuté, aby ste odpojili elektrické náradie od napájania. Takéto opatrenia znižujú riziko náhodného spustenia elektrického náradia.
- Náradie používajte len v suchom, dobre osvetlenom prostredí.

- Toto náradie by nemali používať osoby mladšie ako 16 rokov.

	Prečítajte si používateľskú príručku.		Noste ochranu uší
	Všeobecné upozornenie		Používajte ochranné rukavice.
	Nebezpečenstvo požiaru		Noste ochranný odev
	Nebezpečenstvo zásahu el. prúdom		Noste ochrannú masku
	Noste ochranné okuliare		Používajte ochranu dýchacích ciest

- 1 Varovanie pred nebezpečenstvom. Postupujte mimoriadne opatrne.
2. Dôležité, prečítajte si návod na použitie a dodržiavajte upozornenia.
3. Používajte ochranné okuliare.
4. Používajte ochranné chrániče sluchu.
5. Pred opravou alebo údržbou. V prípade poškodenia kábla okamžite odpojte tento prístroj od sieťovej zásuvky.
6. Prístroj nepoužívajte v daždi alebo v podmienkach vysokej vlhkosti.

Bezpečnosť na pracovisku :

- Prístroj je určený na kosenie trávy. Prístroj nepoužívajte na iné činnosti.
- Pracovný priestor udržiavajte čistý a dobre osvetlený. Neporiadok a zlé osvetlenie prispievajú k nehodám.

- Pred začatím práce pripravte a vyčistite priestor, odstráňte všetky kamene, konáre, drôty a iné cudzie predmety vyčnievajúce zo zeme, o ktoré hrozí riziko zakopnutia.
- Ak pracujete na svahovitom teréne alebo na svahoch, dbajte na zvýšenú opatrnosť.
- Elektricky poháňaný spotrebič nepoužívajte vo výbušnom prostredí, ktoré vytvárajú horľavé kvapaliny, plyny alebo prach. Spotrebič môže vytvárať iskry, ktoré môžu zapáliť prach alebo výpary.
- Nevpúšťajte deti ani pozorovateľov do priestorov, kde sa používa elektricky napájaný spotrebič. Rozptýlenie môže spôsobiť stratu kontroly nad spotrebičom.
- Elektricky napájané záhradné zariadenia nechajte mimo dosahu okolostojacich osôb. Prevádzkovateľ alebo používateľ je zodpovedný za nehody alebo nebezpečenstvo, ktoré vznikne iným osobám alebo životnému prostrediu.

Elektrická bezpečnosť

- Spotrebič pripájajte len do zásuvky s charakteristikami zodpovedajúcimi hodnotám uvedeným na typovom štítku.
- Elektricky napájané zariadenie nevystavujte dažďu alebo vlhkému prostrediu. Ak sa do elektrického náradia dostane voda, zvyšuje sa riziko úrazu elektrickým prúdom.

Bezpečnosť ľudí

- Zariadenie nepoužívajte, ak sa používateľ cíti unavený alebo je pod vplyvom alkoholu, drog alebo liekov. Pri používaní zariadenia sa vyžaduje plná koncentrácia a je potrebné zachovávať opatrnosť. Chvilková nepozornosť pri používaní elektrického náradia môže viesť k nehode a následnému

vážnemu zraneniu alebo poškodeniu majetku.

- Je nevyhnutné používať osobné ochranné prostriedky. Vždy používajte tesne priliehajúce ochranné okuliare (podľa normy EN 166 alebo iných národných predpisov). Kvôli hlasitosti zariadenia používajte ochranu sluchu. Odporúča sa aj používanie ochranných pomôcok, ako je maska proti prachu, protišmyková bezpečnostná obuv so zvrškom, ochranné rukavice.
- Noste priliehavý odev. Voľné oblečenie, šperky, šatky sa môžu zachytiť o pohyblivé časti stroja, čo môže viesť k nebezpečným nehodám. Ak má používateľ dlhé vlasy, mali by byť zaistené a upevnené.
- Počas prevádzky môže spotrebič vysokou rýchlosťou vymrštiť rôzne predmety. Hrozí nebezpečenstvo poranenia. Odporúča sa používať vhodný odev.
- Pred spustením elektrického náradia odstráňte všetky kľúče a iné nástroje používané na nastavenie prístroja. Ponechanie kľúča v rotujúcej časti elektrického náradia môže spôsobiť poranenie.
- Vyvarujte sa práce v neprirodzenej polohe tela. Zaujmite správny a stabilný postoj, aby ste predišli možnosti straty rovnováhy. Umožní to lepšie ovládanie elektrického náradia v nepredvídateľných situáciách.
- Vyhnite sa neúmyselnému spusteniu. Pred zdvihnutím alebo prenášaním zariadenia sa uistite, že je napájací kábel odpojený od siete a vypínač je vo vypnutej polohe. Prenášanie elektricky napájaného zariadenia s prstom na vypínači alebo pripojenie k sieti so zapnutým vypínačom môže viesť k nehode.
- Ruky a nohy držte mimo pohyblivých (rotujúcich) častí zariadenia.

- Dodržiavajte bezpečnú vzdialenosť od okolostojacich osôb.
- Napriek prirodzene bezpečnej konštrukcii samotná konštrukcia, používanie bezpečnostných opatrení a ďalších ochranných opatrení, vždy existuje riziko zvyškového poranenia počas prevádzky.
- Na čistenie stroja nepoužívajte čistiace prostriedky ani alkohol.
- Systém upevnenia pracovného nástroja musí zodpovedať rozmerom elektrického náradia. Pracovné nástroje s nesprávnymi rozmermi nie je možné dostatočne chrániť ani kontrolovať.
- Musia sa používať osobné ochranné prostriedky. V závislosti od druhu práce noste ochrannú masku pokrývajúcu celú tvár, ochranu očí, ako sú ochranné okuliare. Chráňte oči pred cudzími telesami prenášanými vzduchom, ktoré vznikajú počas práce. Chráňte dýchacie cesty pred prachom a parami prenášanými vzduchom pomocou protiprachovej masky. Dlhodobé vystavenie hluku môže viesť k strate sluchu.
- Zabezpečte, aby sa okolostojace osoby zdržiavali v bezpečnej vzdialenosti od pracovného priestoru stroja. Každý, kto sa nachádza v blízkosti pracujúceho elektrického náradia, musí používať osobné ochranné prostriedky
- Pravidelne čistite vetracie otvory zariadenia.
- Pred každým spustením skontrolujte, či: - zariadenie je správne zostavené v súlade s návodom na obsluhu; - rezací nástroj je v dobrom technickom stave; pravidelne sa musí kontrolovať upevnenie noža, poškodenie a opotrebenie; - bezpečnostné zariadenia (napr. kryt rezacieho zariadenia, kryt, rukoväť, spínač motora) sú v dobrom technickom stave a správne fungujú. Po vypnutí stroja zostáva nôž ešte nejaký čas v pohybe. Je potrebné zachovať opatrnosť.

-
- Bezpečnostné pokyny pre nabíjačku a akumulátor
- Ak chcete pripojiť akumulátor na nabíjanie, vložte akumulátor do nabíjačky a potom pripojte nabíjačku k zdroju napájania.
- Nabíjačku chráňte pred dažďom a vlhkosťou. Nabíjačka sa môže používať len v interiéri.
- Nabíjačku udržiavajte v čistote.
- Nabíjačku nepoužívajte na horľavých predmetoch a podkladoch (napr. papier) ani v prostredí s výbušným a/alebo horľavým prostredím.
- Pri nabíjaní vždy zabezpečte dostatočné vetranie, pretože pri poškodení batérie v dôsledku nesprávnej manipulácie/poškodenia môžu z batérie unikáť výpary alebo elektrolyt.
- Po ukončení nabíjania odpojte nabíjačku od sieťovej zásuvky. Nenechávajte ju pripojenú k zdroju napájania dlhšie, ako je nevyhnutné.
- Batériu skladujte a nabíjajte na suchom mieste a dbajte na to, aby sa do nej nedostala voda.
- Konektory batérie udržiavajte čisté a zbavené nečistôt.
- Batériu chráňte pred nárazmi, vlhkosťou a nikdy ju neotvárajte ani mechanicky nepoškodzujte.
- Ak chcete skontrolovať úroveň nabitia akumulátora, stlačte tlačidlo na akumulátore a v prípade potreby akumulátor nabite podľa počtu LED diód a predpokladaného času prevádzky akumulátorového náradia.

Všeobecné informácie

- Pred vybratím koša je potrebné vypnúť motor, aby sa predišlo možnému nebezpečenstvu. Vždy dodržiavajte

bezpečnú vzdialenosť medzi krytom noža a používateľom, ktorú zabezpečujú vhodné rukoväte. Pri kosení, najmä na svahoch, a pri zmene smeru kosenia sa odporúča byť obzvlášť opatrný. Na tento účel sa odporúča nosiť obuv s protišmykovou podrážkou a dlhé nohavice, aby sa minimalizovalo riziko poranenia.

- Pri vyberaní koša a zmene smeru na svahoch udržiavajte stabilnú polohu. S kosačkou vždy jazdite po svahu a z bezpečnostných dôvodov sa vyhýbajte koseniu na svahoch so sklonom nad 15°. Je tiež dôležité byť opatrný pri cúvaní a ťahaní kosačky, aby ste predišli zakopnutiu.
- Po vybratí kosačky by mal ochranný kryt nárazníka uzavrieť zadný vyhadzovací otvor, aby sa zabránilo náhodnému prístupu k nožu. Ak v otvore zostane tráva, odporúča sa posunúť kosačku o určitú vzdialenosť, tráva by mala voľnejšie vypadnúť. Tým sa uľahčí opätovné spustenie motora. Neodstraňujte nečistoty z krytu kosačky a noža rukou alebo nohou, ale použite vhodné nástroje, napríklad ručnú kefu.
- Pri nasadzovaní zberného koša sa uistite, že je motor vypnutý a žací nástroj stojí. Jednou rukou nadvihnite ochranný kryt nárazníka a druhou rukou držte kôš za rukoväť a zaveste ho zhora. Na zabezpečenie účinného zberu trávy sa odporúča kôš pravidelne čistiť, pričom osobitnú pozornosť venujte mriežkam. Tieto opatrenia prispejú k zachovaniu bezpečnosti a účinnosti kosačky.



Pokiaľ sa na zariadení nachádza symbol preškrtnutého odpadkového koša, znamená to, že sa na tento výrobok vzťahujú ustanovenia európskej smernice 2012/19/EU. Zoznámte sa s podmienkami týkajúcimi sa miestneho systému zberu elektrického a elektronického odpadu. Postupujte v súlade s miestnymi predpismi. Tento produkt nie je možné vyhodiť spoločne s bežným domácim odpadom. Správne odstránenie starého výrobku zabraňuje prípadným negatívnym následkom na prírodné prostredie a na ľudské zdravie.



Výrobok bol vyprodukovaný z vysoko kvalitných materiálov a súčiastok, ktoré možno recyklovať a znovu použiť.

Popis spotrebiča (A)

1 Horná rukoväť	13a Plastové výstupky
2 Stláčacie páčky na zaistenie hornej časti kosačky	13b Tyče zásobníka na trávnu
3 Spodná rukoväť	13c Rukoväť koša na trávnu
4 Zadná klapka	14 Držiak kábla
5 Stláčacie páky na zaistenie spodnej časti kosačky	15 Kábel
6 Rukoväť na prenášanie	16 Uvoľňovacie tlačidlo
7 Páka na nastavenie výšky kosenia	17 Rukoväť štartéra
8 Kryt batérie	18 Súprava na vyhadzovanie trávy
9 Batérie (nie sú súčasťou dodávky)	18a Držiak na mulčovacej súprave
9a Uvoľňovacie tlačidlo na batérii	19 Dvojité nabíjačka
10 Kľúč zapaľovania	20 Čepel
11 Kolieska	21 Skrutka čepele
12 Kryt stroja	22 Vreteno motora
13 Nádobu na trávnu	

Zapínanie a vypínanie (G):

Zariadenie nespúšťajte nekompletné alebo nesprávne zostavené. Pred spustením skontrolujte, či sú všetky bezpečnostné komponenty v dobrom stave.

- 1 Jednotku umiestnite na rovný povrch.
- 2 Zdvihnite kryt (8) krytu prístroja a vložte nabitú batériu (9).
- 3 Vložte kľúč zapaľovania (10) do príslušného otvoru vedľa batérie (9). (Kľúč zapaľovania je možné vložiť len do jednej polohy).
- 4 Pred zapnutím prístroja sa uistite, že sa nôž nedotýka žiadnych predmetov.
- 5 Ak chcete jednotku zapnúť, stlačte tlačidlo uvoľnenia zámku (16) a podržte ho stlačené, potom stlačte štartovaciu páčku (17). Potom uvoľnite uvoľňovacie tlačidlo zámku (16).
- 6 Ak chcete jednotku vypnúť, pustite štartovaciu páčku (17).

Po vypnutí spotrebiča sa nôž ešte niekoľko sekúnd otáča. Nedotýkajte sa pohybujúceho sa noža. Ak chcete zo spotrebiča vybrať akumulátor (9), stlačte uvoľňovacie tlačidlo (9a) na akumulátore a akumulátor vytiahnite.

Ak chcete vložiť batériový blok (9), zatlačte ho pozdĺž vodidla.

Vyberanie nádoby na trávnu (E)

1. Ak chcete nainštalovať nádobu na trávnu (13), zdvihnite zadné dvere (4) a zaveste nádobu na trávnu (13) na obe rukoväte.
2. Zložte zadné dvere (4) nad nádobu na trávnu (13).
3. Ak chcete odstrániť nádobu na trávnu (13), zdvihnite kryt (4) a vyberte nádobu na trávnu (13).
4. Zložte zadný kryt (4) späť na kryt stroja (12).

Nastavenie výšky (F):

1. Uchopte páku (7) nastavenia výšky kosenia a posuňte ju za západkový mechanizmus na požadovanú výšku kosenia.

Stroj má 6 polôh na nastavenie výšky kosenia (F):

25 mm/35 mm - nízka výška kosenia

45 mm/55 mm - stredná výška rezu

65 mm/75 mm - vysoká výška rezu

Správna výška kosenia je v rozmedzí 25 až 45 mm pre okrasný trávnik a približne 45 až 65 mm pre úžitkový trávnik.

Skladovanie (K)

- Uvoľnite prítlačnú páku (2+5) a zložte hornú tyč (1) a dolnú tyč (3) k sebe, aby jednotka zaberala menej miesta. Dbajte pritom na to, aby nedošlo k stlačeniu káblov jednotky.
- Spotrebič skladujte na suchom mieste mimo dosahu detí.
- Pred uskladnením spotrebiča v uzavretom priestore nechajte motor vychladlo.

MONTÁŽ**Montáž spodnej tyče (B)**

1. Zložte spodný nástavec (3) smerom nahor.
2. Otáčaním spodných pák (5) v smere hodinových ručičiek ich upevnite.
3. Zaisťte upínacie páky (5), zatlačte ich smerom k spodnej lište (3). Pevne zatiahnite za upínacie páky a potom ich vyrovnajte k tyči tak, aby sa uťahovanie mohlo vykonávať strednou silou. Ak sa to nepodarí, pokračujte v otáčaní uťahovacích pák v smere hodinových ručičiek alebo ich uvoľnite otáčaním proti smeru hodinových ručičiek.

Inštalácia hornej tyče (C)

Prípravte hornú tyč (1) pomocou skrutiek (2b), podložiek (2a) a horných pák (2) napravo a naľavo od dolnej tyče (3). Uvoľňovacie tlačidlo (16) musí byť na pravej strane v smere kosenia. Možné sú dve polohy.

2. Otočte upínaciu páku (2) v smere hodinových ručičiek.
3. Upínacie páky (2) zaisťte stlačením v smere lišty (3). Uťahovacie páky sa musia opierať o tyč tak, aby bolo možné uťahovanie strednou silou. Ak sa to nepodarí, pokračujte v otáčaní uťahovacích pák v smere hodinových ručičiek alebo ich uvoľnite otáčaním proti smeru hodinových ručičiek.

Montáž nádoby na trávu (E)

1. Zaklapnite rukoväť (13c) nádoby na trávu (13) do hornej časti nádoby na trávu (13).
2. Plastové výstupky (13a) nádoby na trávu (13) nasadte na tyče nádoby na trávu (13b).

Súprava na vyhadzovanie trávy (J)

Upevnenie súpravy na vyhadzovanie trávy

1. Vyberte nádobu na trávu.
2. Zdvihnite zadnú klapku
3. Zasuňte súpravu na vyhadzovanie trávy (18) na miesto. Držiak (18a) sa zacvakne na miesto.

Demontáž súpravy na vyhadzovanie trávy (J)

4. Vytiahnite držiak (18a) a vyberte súpravu na vyhadzovanie trávy (18).

Čistenie a údržba:

Pred údržbou a skladovaním vyberte z prístroja batériu! Kontakt častí tela s pohyblivým žacím prvkom môže spôsobiť poranenie, invaliditu alebo smrť!

Nezabudnite, že žací prvok sa pohybuje ešte chvíľu po vypnutí motora.

- Čistota a pravidelná údržba sú nevyhnutné pre správne fungovanie stroja. Odporúčame kosačku po každom použití dôkladne vyčistiť pomocou kefy, handry alebo stlačeného vzduchu. Je dôležité vyhnúť sa používaniu čistiacich prostriedkov alebo rozpúšťadiel a zabezpečiť, aby sa do zariadenia

- nedostala voda.
- Pred každým použitím je dobré kosačku dôkladne skontrolovať, či na nej nie sú viditeľné závady, napríklad uvoľnené alebo poškodené súčasti. Pravidelná kontrola utiahnutia všetkých skrutiek a skrutiek je kľúčová, pretože opotrebované alebo nedostatočne utiahnuté komponenty môžu viesť k nebezpečnému poškodeniu motora alebo rámu.
 - Pravidelne sledujte stav krytu, bezpečnostných komponentov a zberného koša, či nie sú poškodené, a kontrolujte stabilitu ich upevnenia. Ak spozorujete akékoľvek abnormality, odporúčame ich okamžite opraviť alebo vymeniť za nové.
 - Po kosení počkajte, kým motor vychladne, a až potom kosačku uložte. Ak nôž silno narazí na cudzí predmet, kosačku okamžite zastavte a obráťte sa na servisného technika.
 - Po každom kosení kosačku starostlivo skontrolujte a odstráňte všetky rastlinné zvyšky z kolies, otvorov a spod krytu (priestoru pre nôž). Použite na to jemný nástroj, napríklad kúsok dreva alebo plastu, vyhnite sa tvrdým nástrojom, ktoré by mohli stroj poškodiť.
 - Aby ste minimalizovali riziko požiaru, pravidelne čistite priestor motora od rastlinných zvyškov. Všetky zelené zvyšky v okolí motora by sa mali odstrániť a odporúča sa vykonať túto operáciu aspoň po skončení sezóny kosenia. Pri intenzívnom používaní sa odporúča čistenie zopakovať 1 - 2-krát počas sezóny, pričom je potrebné zabezpečiť, aby bol nôž vždy ostrý a dobre vyvážený, čo zaručí optimálne kosenie.

Technické údaje:

Napätie batérie 2 x 18 V, kompatibilné so sériou OneDNA18V, Blaupunkt BP1840, BP1850

Otáčky bez zaťaženia n=2900 min⁻¹

Šírka rezu: 430 mm

Výška rezu: 25/35/45/60/75 mm

Kapacita koša na pokosenú trávu: 30l

Hmotnosť bez batérie/nabíjačky 10,6 kg

Stupeň ochrany IP40

HLUK

hladina zvukového tlaku (LpA): 76.2 dB (A) ; K= 3 dB(A)

Meraná hladina zvukového výkonu (LpA): 87 dB (A) ; K= 2.33 dB(A)

Zabezpečená hladina zvukového výkonu (LpA): 96 dB (A) ;

FONTOS INFORMÁCIÓK

A legnagyobb elégedettség elérése, a termék teljesítményének élvezete, valamint az összes funkciójának és jellemzőjének megismerése érdekében kérjük, olvassa el ezt a kézikönyvet a termék használata előtt. A készülék használata előtt olvassa el a kézikönyvet, és kövesse az abban foglalt utasításokat. A gyártó nem vállal felelősséget a készülék nem rendeltetésszerű használatából vagy helytelen kezeléséből eredő károkért. Őrizze meg a kezelési útmutatót, hogy a termék későbbi használatakor is felhasználható legyen.

- Ne merítse a készüléket vízbe vagy más folyadékba.
- A készüléket rendszeresen tisztítani kell a készülék tisztítása és karbantartása című fejezetben leírtak szerint.
- Ne helyezze a készüléket hőforrások, lángok, elektromos elem közelébe. Ne helyezze a készüléket más készülék tetejére.
- Legyen különösen óvatos a készülék használatakor, ha gyermekek vagy háziállatok vannak a közelben.
- Ne engedje, hogy a gyermekek a készülékkel játsszanak.
- Ne tegye ki a készüléket a légköri körülményeknek (eső, nap stb.), és ne használja párás körülmények között.
- A készülékhez csak eredeti vagy a gyártó által ajánlott tartozékokat és pótalkatrészeket használjon. A gyártó által nem ajánlott tartozékok vagy alkatrészek használata károsíthatja a készüléket és veszélyeztetheti a használat biztonságát.
- Tartsa rendben és jól megvilágítva a munkaterületet.
- A rendetlenség és a nem megfelelő megvilágítás balesetekhez vezet.
- Egy pillanatnyi figyelmetlenség a szerszám feletti uralom elvesztését kockáztatja.
- Ne hajoljon túlságosan előre az elektromos szerszámmal.

Tartson stabil testtartást és egyensúlyt. Ez segít abban, hogy előre nem látható helyzetekben jobban uralja az elektromos szerszámot.

- Kerülje az elektromos szerszám akaratlan elindítását. Ellenőrizze, hogy a hálózati kapcsoló OFF állásban van-e, mielőtt az elektromos szerszámot a hálózatra csatlakoztatja. Balesethez vezethet, ha az elektromos szerszámot úgy viszi, hogy az ujja a ravaszon van, vagy ha az elektromos szerszámot már bekapcsolt állapotban csatlakoztatja a hálózathoz.
- Viseljen megfelelő ruházatot. Munka közben ne dolgozzon laza ruhában, és ne viseljen ékszereket. Tartsa távol a haját, a ruházatot és a kesztyűt a mozgó alkatrészekről. Az elektromos szerszám mozgó részei megragadhatják és behúzhatják a laza ruházatot, ékszereket vagy hosszú haját.
- Indítás előtt távolítsa el a villanykulcsokat vagy szerszámokat az elektromos szerszámból. Az elektromos szerszám forgó részéhez még csatlakoztatott szerszám vagy kulcs sérülést okozhat.
- Legyen óvatos az elektromos szerszámokkal végzett munka során, koncentráljon a munkára és használja a józan esztét. Ne használjon elektromos szerszámot fáradtan, illetve kábítószert, alkoholt vagy gyógyszer hatása alatt. Már egy pillanatnyi figyelmetlenség is súlyos balesetet kockáztat az elektromos szerszámmal végzett munka során.
- Tartsa távol a gyerekeket a munkaterülettől, és NE engedje, hogy a gyerekek meghúzzák a tápkábelt, mert ez súlyos sérülést okozhat.
- Mielőtt bármilyen beállítást elvégezne, tartozékot cserélne, vagy az elektromos szerszámot tárolásra elrakná, fordítsa a kapcsolót kikapcsolt állásba, hogy az elektromos szerszámot leválassza az áramforrásról. Ezek az

óvintézkedések csökkentik az elektromos szerszám véletlen elindításának kockázatát.

- A szerszámot csak száraz, jól megvilágított környezetben használja.
- Ezt a szerszámot 16 év alattiak nem használhatják.

	Olvassa el a használati útmutatót.		Viseljen fülvédőt
	Általános figyelmeztetés		Használjon védőkesztyűt
	Tűzveszély		Viseljen védőruházatot
	Áramütés veszélye		Viseljen védőmaszkot
	Viseljen védőszemüveget		Viseljen légzésvédő készüléket

1 Veszélyre való figyelmeztetés. Legyen rendkívül óvatos.

2. Fontos, olvassa el az utasításokat és tartsa be a figyelmeztetéseket.

3 Viseljen védőszemüveget.

4. Használjon védőfülvédőt.

5. Mindig válassza le az áramellátásról, mielőtt javítaná vagy karbantartás előtt. A kábel sérülése esetén azonnal húzza ki a készüléket a konnektorból.

6. Ne használja a készüléket esőben vagy magas páratartalom mellett.

Munkavédelem :

- A készüléket fűnyírásra tervezték. Ne használja a készüléket más tevékenységekre.
- Tartsa a munkaterületet rendben és jól megvilágítva. A

rendetlenség és a rossz megvilágítás hozzájárul a balesetekhez.

- A munka megkezdése előtt készítse elő és tisztítsa meg a területet, távolítsa el minden olyan követ, ágat, vezetékét és egyéb idegen tárgyat, amely kiáll a talajból, és amely felett fennáll a botlás veszélye.
- Különös gondossággal járjon el, ha lejtős terepen vagy lejtőkön dolgozik.
- Ne használjon elektromos meghajtású készüléket gyúlékony folyadékok, gázok vagy por által létrehozott robbanásveszélyes környezetben. A készülék szikrákat hozhat létre, amelyek meggyújthatják a port vagy a füstöt.
- Ne engedjen gyerekeket vagy megfigyelőket olyan területekre, ahol elektromos meghajtású készüléket használnak. A figyelemelterelés a készülék feletti irányítás elvesztését okozhatja.
- Az elektromos meghajtású kerti berendezéseket hagyja távol a járókelőktől.
- A kezelő vagy felhasználó felelős a más személyeket vagy a környezetet érő balesetekért vagy veszélyekért.

Elektromos biztonság

- A készüléket csak olyan konnektorba csatlakoztassa, amelynek jellemzői megfelelnek a névtáblán feltüntetett értékeknek.
- Ne tegye ki az elektromos meghajtású berendezéseket esőnek vagy nedves körülményeknek. Ha víz kerül az elektromos szerszámba, megnő az áramütés veszélye.

Emberi biztonság

- Ne működtesse a készüléket, ha a felhasználó fáradtnak érzi

magát, vagy alkohol, kábítószer vagy gyógyszer hatása alatt áll. A készülék használatakor teljes koncentrációra van szükség, és óvatosságra van szükség. Egy pillanatnyi figyelmetlenség az elektromos szerszám használata közben balesethez és ebből következően súlyos sérüléshez vagy anyagi kárhoz vezethet.

- Az egyéni védőfelszerelés viselése elengedhetetlen. Mindig viseljen szorosan illeszkedő védőszemüveget (az EN 166 vagy más nemzeti előírások szerint). A berendezés hangereje miatt viseljen fülvédőt. A védőfelszerelés, mint például porvédő maszk, csúszásmentes, felsőrésszel ellátott biztonsági cipő, védőkesztyű használata szintén ajánlott.
- Viseljen szorosan illeszkedő ruházatot. A laza ruházat, ékszerek, sálak beakadhatnak a gép mozgó részeibe, ami veszélyes balesetekhez vezethet. Ha a felhasználónak hosszú haja van, azt rögzíteni és rögzíteni kell.
- Működés közben a készülék nagy sebességgel különböző tárgyakat dobhat ki. Ilyenkor fennáll a sérülés veszélye. Ajánlott a megfelelő ruházat használata.
- Az elektromos szerszám beindítása előtt távolítsa el a készülék beállításához használt összes villáskulcsot és egyéb szerszámot. Az elektromos szerszám forgó részében hagyott villáskulcs sérülést okozhat.
- Kerülje a természetellenes testhelyzetben történő munkavégzést. Vegyen fel helyes és stabil testtartást, hogy elkerülje az egyensúlyvesztés lehetőségét. Ez lehetővé teszi az elektromos szerszám jobb irányítását kiszámíthatatlan helyzetekben.
- Kerülje az akaratlan indítást. Győződjön meg arról, hogy a hálózati kábel ki van húzva, és a kapcsoló kikapcsolt állásban van, mielőtt felveszi vagy hordozza a készüléket. Az

elektromos meghajtású berendezés hordozása úgy, hogy az ujjja a kapcsolón van, vagy a hálózathoz való csatlakoztatás bekapcsolt kapcsolóval balesethez vezethet.

- Tartsa távol kezeit és lábait a berendezés mozgó (forgó) részeitől.
- Tartson biztonságos távolságot a járókelőktől.
- Az eredendően biztonságos kialakítás ellenére maga a kialakítás, a használat Biztonsági intézkedések és kiegészítő védőintézkedések, a működés során mindig fennáll a maradék sérülés veszélye.
- Ne használjon tisztítószeret vagy alkoholt a gép tisztításához.
- A munkaeszköz rögzítési rendszerének meg kell felelnie az elektromos szerszám méreteinek. A nem megfelelő méretekkel rendelkező munkaeszközöket nem lehet megfelelően védeni vagy irányítani.
- Személyi védőfelszerelést kell használni. A munka típusától függően viseljen az egész arcot fedő védőmaszkot, szemvédelmet, például védőszemüveget. Védje a szemet a munka során keletkező, levegőben lévő idegen testektől. A légutakat a levegőben szálló por és gőzök ellen porvédő maszkkal védje. A hosszabb ideig tartó zajnak való kitettség halláskárosodáshoz vezethet.
- Gondoskodjon arról, hogy a közelben tartózkodók biztonságos távolságban legyenek a gép munkaterületétől. Mindenkinek, aki a működő elektromos szerszám közelében tartózkodik, egyéni védőfelszerelést kell használnia.
- Rendszeresen tisztítsa meg a berendezés szellőzőnyílásait.
- Minden egyes indítás előtt ellenőrizze, hogy: - a berendezés helyesen, az utasításoknak megfelelően van összeszerelve; - a vágószerszám jó állapotban van; a pengék rögzítését,

sérülését és kopását rendszeresen ellenőrizni kell; - a biztonsági berendezések (pl. vágóegység védőburkolat, ház, fogantyú, motorkapcsoló) jó állapotban vannak és megfelelően működnek. A gép kikapcsolásakor a penge még egy ideig mozgásban marad. Óvatosan kell eljárni.

Biztonsági utasítások a töltőre és az akkumulátorra vonatkozóan

- Az akkumulátor töltéshez történő csatlakoztatásához helyezze be az akkumulátort a töltőbe, majd csatlakoztassa a töltőt egy áramforráshoz.
- Védje a töltőt az esőtől és a nedvességtől. A töltő csak beltérben használható.
- Tartsa tisztán a töltőt.
- Ne használja a töltőt gyúlékony tárgyakon és hordozókon (pl. papír) vagy robbanásveszélyes és/vagy gyúlékony légkörű környezetben.
- Töltés közben mindig gondoskodjon megfelelő szellőzésről, mivel az akkumulátorból füstgőz vagy elektrolit szivároghat, ha az akkumulátor nem megfelelő kezelés/rongálás miatt megsérül.
- A töltés befejeztével húzza ki a töltőt a konnektorból. Ne hagyja a szükségesnél hosszabb ideig áramforráshoz csatlakoztatva.
- Az akkumulátort száraz helyen tárolja és töltse, és ügyeljen arra, hogy ne kerüljön bele víz.
- Tartsa tisztán és szennyeződésektől mentesen az akkumulátor csatlakozóit.
- Védje az akkumulátort az ütésektől, nedvességtől, és soha ne nyissa ki, illetve mechanikusan ne sértse meg az akkumulátort.
- Az akkumulátor töltöttségi szintjének ellenőrzéséhez

nyomja meg az akkumulátoron lévő gombot, és szükség esetén töltsse fel az akkumulátort a LED-ek számának és az akkumulátoros szerszám várható üzemidejének megfelelően.

Általános információk

- A kosár eltávolítása előtt a potenciális veszélyek elkerülése érdekében le kell kapcsolni a motort. Mindig tartsa be a biztonságos távolságot a pengeház és a felhasználó között, amelyet a megfelelő fogantyúk biztosítanak. Kaszáláskor, különösen lejtőn, illetve irányváltáskor különösen óvatosnak kell lenni. Ennek érdekében célszerű csúszásmentes talpú lábbelit és hosszú nadrágot viselni a sérülésveszély minimalizálása érdekében.
- A kosár eltávolításakor és lejtőn történő irányváltoztatáskor tartson stabil pozíciót. A fűnyírót mindig a lejtőn keresztül vezesse, és biztonsági okokból kerülje a 15°-nál nagyobb lejtőkön történő kaszálást. Fontos, hogy a fűnyíró tolatásakor és húzásakor is óvatos legyen, hogy elkerülje a megbotlást.
- Ha a fűnyírót leveszi, a lökhárító védőnek le kell zárnia a hátsó ürítőnyílást, hogy megakadályozza a késhez való véletlen hozzáférést. Ha fű marad a nyílásban, célszerű a fűnyírót egy kicsit arrébb tolni, a fűnek szabadabban kell kihullania. Ez megkönnyíti a motor újraindítását. Ne kézzel vagy lábbal távolítsa el a törmeléket a fűnyíróházból és a késből, hanem használjon megfelelő eszközöket, például kézi kefét.
- A gyűjtőkosár felhelyezésekor győződjön meg arról, hogy a motor le van kapcsolva, és a vágóeszköz áll. Egyik kezével emelje fel a lökhárító védőburkolatot, a másikkal pedig fogja meg a zsákot a fogantyúnál fogva, és fűgessze fel a

tetejére. A hatékony fűgyűjtés érdekében ajánlatos a kosarat rendszeresen tisztítani, különös figyelmet fordítva a rácsoakra. Ezek az intézkedések hozzájárulnak a fűnyíró biztonságának és hatékonyságának fenntartásához.



Amennyiben a berendezésen áthúzott szemeteskosár jelölés található, a termék a 2012/19/EU irányelv rendelkezései hatálya alá tartozik. Kérjük, ismerkedjen meg a helyi elektromos és elektronikus hulladékgyűjtési rendszer szabályaival. A helyi előírások szerint járjon el. A terméket háztartási hulladékokkal együtt nem dobja ki. Az elhasznált termék megfelelő ártalmatlanításával a természetre és emberi egészségre gyakorolt esetleges káros hatásait akadályozza meg.



A termék kiváló minőségű, újrahasznosítható anyagokból és alkatrészekből készült.

A készülék leírása (A)

- | | |
|--|--------------------------------------|
| 1 Felső fogantyú | 13 Fűtartály |
| 2 Nyomókarok a fűnyíró felső részének rögzítéséhez | 13a Műanyag fülek |
| 3 Alsó fogantyú | 13b Fűgyűjtő rudak |
| 4 Hátsó csappantyú | 13c Fűgyűjtő fogantyú |
| 5 Nyomókarok a fűnyíró alsó részének rögzítéséhez | 14 Kábeltartó |
| 6 Fogantyú a szállításhoz | 15 Kábel |
| 7 A vágási magasságot szabályozó kar | 16 Kioldógomb |
| 8 Akkumulátorfedél | 17 Indító fogantyú |
| 9 Elemek (nem tartozék) | 18 Fűkidobó készlet |
| 9a Kioldógomb az akkumulátoron | 18a Tartókonzol a mulcsozó készleten |
| 10 Gyűjtőkulcs | 19 lker töltő |
| 11 Kerekek | 20 Penge |
| 12 Gépház | 21 Kécsavar |
| | 22 Motortengely |

Be- és kikapcsolás (G):

Ne indítsa be a készüléket hiányosan vagy rosszul összeszerelve. Indítás előtt ellenőrizze, hogy minden biztonsági alkatrész jó állapotban van-e.

1. Helyezze a készüléket egy vízszintes felületre.

2. Emelje fel a készülékház fedelét (8), és helyezze be a feltöltött akkumulátorokat (9).

3. Helyezze be a gyújtáskulcsot (10) az akkumulátor (9) melletti megfelelő furatba.

(A gyújtáskulcs csak egy pozícióban helyezhető be).

4. A készülék bekapcsolása előtt győződjön meg arról, hogy a penge nem ér hozzá semmilyen tárgyhoz.

5. A készülék bekapcsolásához nyomja meg és tartsa lenyomva a zárkioldó gombot (16), majd nyomja meg az indítókart (17). Ezután engedje fel a reteszelő kioldógombot (16).

6. A készülék kikapcsolásához engedje el az indítókart (17).

A készülék kikapcsolása után a penge néhány másodpercig tovább forog. Ne érintse meg a mozgó pengét.

Az akkumulátorcsomag (9) eltávolításához a készülékből, nyomja meg az akkumulátorcsomagon lévő kioldógombot (9a), és húzza ki az akkumulátorcsomagot.

Az akkumulátorcsomag (9) behelyezéséhez tolja végig a vezeték mentén.

A fűgyújtó tartály (E) eltávolítása

1. A fűgyújtó tartály (13) beszereléséhez emelje fel a hátsó ajtót (4), és akassza fel a fűgyújtó tartályt (13) mindkét fogantyúra.

2. Hajtsa a hátsó ajtót (4) a fűgyújtó tartályra (13).

3. A fűtartály (13) eltávolításához emelje fel a fedelet (4), és vegye ki a fűtartályt (13).

4. Hajtsa vissza a hátsó fedelet (4) a gépházra (12).

A magasság beállítása (F):

1. Fogja meg a vágási magasság beállításának karját (7), és csúsztassa el a racsnis mechanizmus mellett a kívánt vágási magassáig.

A gép 6 állással rendelkezik a vágási magasság (F) beállításához:

25 mm/35 mm - alacsony vágási magasság

45 mm/55 mm - közepes vágási magasság

65 mm/75 mm - nagy vágási magasság

A megfelelő vágási magasság 25 és 45 mm között van a díszpázsit esetében és körülbelül 45-65 mm között a használati gyeper esetében.

Tárolás (K)

- Engedje ki a nyomókart (2+5), és hajtsa össze a felső rudat (1) és az alsó rudat (3), hogy a készülék kevesebb helyet foglaljon. Ennek során ügyeljen arra, hogy ne csípje be a készülék kábeleit.
- Tárolja a készüléket száraz, gyermekek számára elérhetetlen helyen.
- Mielőtt a készüléket zárt térben tárolja, hagyja, hogy a motor lehűljön.

BEFELSZERELÉS

Az alsó rúd összeszerelése (B)

1. Hajtsa felfelé az alsó rögzítést (3).
2. A rögzítéshez forgassa el az alsó karokat (5) az óramutató járásával megegyező irányba.
3. Rögzítse a rögzítőkarkokat (5), tolja őket az alsó rúd (3) felé. Húzza meg erősen a szorítókarokat, majd igazítsa őket a rúdhöz, hogy a meghúzás közepes erővel elvégezhető legyen. Ha ez nem sikerül, folytassa a szorítókarok elforgatását az óramutató járásával megegyező irányba, vagy az óramutató járásával ellentétes irányba történő elforgatással lazítsa meg.

A felső rúd felszerelése (C)

A felső rudat (1) a csavarok (2b), az alátétek (2a) és a felső karok (2) segítségével rögzítse az alsó rúdtól (3) jobbra és balra. A kioldógombnak (16) a kaszálás irányában jobb oldalon kell lennie. Két pozíció lehetséges.

2. Fordítsa el a szorítókart (2) az óramutató járásával megegyező irányba.
3. Rögzítse a szorítókart (2) a rúd (3) irányába történő megnyomásával. A szorítókaroknak úgy kell a rúdnak támaszkodniuk, hogy közepes erővel lehessen meghúzni. Ha ez nem sikerül, folytassa a feszítőkark elforgatását az óramutató járásával megegyező irányban, vagy lazítsa meg őket az óramutató járásával ellentétes irányban történő elforgatással.

A fűgyűjtő tartály összeszerelése (E)

1. Pattintsa be a fűgyűjtő tartály (13) kanyargóját (13c) a fűgyűjtő tartály (13) tetejébe.
2. Helyezze a fűgyűjtő tartály (13) műanyag fülét (13a) a fűgyűjtő tartály (13b) rúdjaiba.

Fűkidobó készlet (J)

A fűkidobó készlet rögzítése

- 1 Vegye ki a fűtartályt.
2. Emelje fel a hátsó szárnyat
3. Csúsztassa a fűkidobó készletet (18) a helyére. A tartó (18a) a helyére pattan.

A fűkidobó készlet eltávolítása (J)

4. Húzza ki a konzolt (18a), és vegye ki a fűkidobó készletet (18).

Tisztítás és karbantartás:

Szervizelés és tárolás előtt vegye ki az akkumulátort a készülékből! A testrészek érintkezése a mozgó vágóelemmel sérülést, fogyatékossgot vagy halált okozhat!

Ne feledje, hogy a vágóelem a motor leállítás után még egy ideig tovább mozog.

- A tisztaság és a rendszeres karbantartás elengedhetetlen a gép megfelelő működéséhez. Javasoljuk, hogy a fűnyírót minden használat után alaposan tisztítsa meg kefével, ronggyal vagy sűrített levegővel. Fontos, hogy kerülje a tisztítószerek vagy oldószerek használatát, és ügyeljen arra, hogy víz ne kerüljön a készülékbe.
- Minden használat előtt érdemes alaposan megvizsgálni a fűnyírót a látható hibák, például laza vagy sérült alkatrészek szempontjából. Az összes csavar és csavar feszességének rendszeres ellenőrzése kulcsfontosságú, mivel a kopott vagy alulhúzott alkatrészek a motor vagy a váz veszélyes sérüléséhez vezethetnek.
- Rendszeresen ellenőrizze a ház, a biztonsági alkatrészek és a gyűjtőkosár állapotát, hogy nincs-e rajta sérülés, és ellenőrizze a rögzítés stabilitását. Ha bármilyen rendellenességet észlel, ajánlott azonnal megjavítani vagy újakra cserélni őket.
- A fűnyírás után várja meg, hogy a motor lehűljön, mielőtt a fűnyírót tárolóba helyezi. Ha a penge erősen idegen tárgyhoz ütközik, azonnal állítsa le a fűnyírót, és forduljon szerviztechnikushoz.
- Minden kaszálás után gondosan vizsgálja át a fűnyírót, és távolítsa el a keréktárcsákról, a lyukakból és a ház alól (késtér) a növényi törmelékét. Használjon ehhez finom szerszámot, például fadarabot vagy műanyagot, kerülje a kemény szerszámokat, amelyek károsíthatják a gépet.
- A tűzveszély minimalizálása érdekében rendszeresen tisztítsa meg a motorteret a növényi törmelékektől. A motort körülvevő zöld maradványokat el kell távolítani, és célszerű ezt a műveletet legalább a kaszálási szezon után elvégezni. Intenzív használat esetén célszerű a

tisztítást a szezon során 1-2 alkalommal megismételni, biztosítva, hogy a penge mindig éles és jól kiegyensúlyozott legyen az optimális vágás érdekében.

Műszaki adatok:

Akkufeszültség 2 x 18 V, kompatibilis a OneDNA18V sorozattal, Blaupunkt BP1840, BP1850

Terheletlen sebesség $n=2900$ perc¹

Vágási szélesség: 430 mm

Vágási magasság: 25/35/45/60/75 mm

Fűnyíró tartály kapacitása: 30l

Súly akkumulátor/töltő nélkül 10,6 kg

Védettségi fok IP40

Zaj

Hangnyomásszint (LpA): 76.2 dB (A); K= 3dB(A)

Mért hangteljesítményszint (LpA): 87 dB (A); K= 2.33 dB(A)

Garantált hangteljesítményszint (LpA): 96 dB (A);

POMEMBNE INFORMACIJE

Da bi dosegli največje zadovoljstvo, uživali v delovanju izdelka ter spoznali vse njegove lastnosti in funkcije, pred uporabo izdelka preberite ta priročnik. Pred uporabo naprave preberite priročnik in upoštevajte v njem navedena navodila.

Proizvajalec ni odgovoren za škodo, ki nastane zaradi uporabe naprave, ki ni v skladu z njenim namenom, ali zaradi nepravilnega ravnanja z njo. Shranite navodila za uporabo, da jih boste lahko uporabili tudi pri kasnejši uporabi izdelka.

- Naprave ne potaplajte v vodo ali katero koli drugo tekočino.
- Napravo je treba redno čistiti, kot je opisano v poglavju Čiščenje in vzdrževanje naprave.
- Naprave ne postavljajte v bližino virov toplote, plamena, električnega elementa Ne postavljajte je na druge naprave.
- Pri uporabi aparata bodite še posebej previdni, kadar so v bližini otroci ali hišni ljubljenci.
- Otrokom ne dovolite, da se igrajo z aparatom.
- Naprave ne izpostavljajte atmosferskim vplivom (dež, sonce itd.) in je ne uporabljajte v vlažnih razmerah.
- Uporabljajte samo originalno dodatno opremo in rezervne dele za aparat ali tiste, ki jih priporoča proizvajalec. Uporaba dodatne opreme ali delov, ki jih proizvajalec ne priporoča, lahko poškoduje aparat in ogrozi varnost uporabe.
- Delovno območje naj bo urejeno in dobro osvetljeno.
- Neurejenost in nezadostna osvetlitev povzročata nesreče.
- Zaradi trenutka nepozornosti lahko izgubite nadzor nad orodjem.
- Z električnim orodjem se ne nagibajte preveč. Ohranite stabilno držo in ravnotežje. Tako boste v nepredvidenih situacijah bolje obvladovali električno orodje.
- Izogibajte se nenamernemu zagonu električnega orodja. Pred priključitvijo električnega orodja na električno omrežje

preverite, ali je stikalo za napajanje v položaju OFF.

Prenašanje električnega orodja s prstom na sprožilcu ali priključitev električnega orodja na električno omrežje po tem, ko je bilo že vklopljeno, lahko privede do nesreč.

- Nosite ustrezna oblačila. Med delom ne delajte v ohlapnih oblačilih in ne nosite nakita. Lasje, oblačila in rokavice naj ne bodo v bližini gibljivih delov. Gibajoči se deli električnega orodja lahko zajamejo in potegnejo za ohlapna oblačila, nakit ali dolge lase.
- Pred zagonom električnega orodja iz njega odstranite vse ključke ali orodja. Orodje ali ključ, ki je še vedno povezan z vrtečim se delom električnega orodja, lahko povzroči poškodbe.
- Pri delu z električnim orodjem bodite previdni, osredotočeni na delo in uporabljajte zdravo pamet. Električnega orodja ne uporabljajte, če ste utrujeni ali pod vplivom drog, alkohola ali zdravil. Že trenutek nepozornosti pri delu z električnim orodjem lahko povzroči resno nesrečo.
- Otrokom preprečite dostop do delovnega območja in jim NE dovolite, da vlečejo za električni kabel, saj lahko to povzroči hude poškodbe.
- Pred kakršnimikoli nastavitvami, menjavo pribora ali pospravljanjem električnega orodja za shranjevanje prestavite stikalo v položaj za izklop, da odklopite električno orodje iz električnega omrežja. Takšni previdnostni ukrepi zmanjšujejo tveganje nenamernega zagona električnega orodja.
- Orodje uporabljajte samo v suhem in dobro osvetljenem okolju.
- Tega orodja ne smejo uporabljati osebe, mlajše od 16 let.

	Prebrati uporabniški priročnik.		Nositi zaščito za sluh
	Splošna opozorila		Nositi zaščitne rokavice
	Nevarnost požara		Nositi zaščitno obleko
	Tveganje električnega udara		Nositi zaščitno masko
	Nositi zaščitna očala		Uporabite zaščito za dihala

- 1 Opozorilo o nevarnosti. Ravnajte skrajno previdno.
2. Pomembno, preberite navodila in upoštevajte opozorila.
3. Uporablajte zaščitna očala.
4. Uporablajte zaščitne ščitnike za ušesa.
5. Vedno odklopite iz električnega omrežja, preden začnete popravljati ali vzdrževanjem. V primeru poškodbe kabla takoj iztaknite ta aparat iz stenske vtičnice.
6. Aparata ne uporabljajte v dežju ali v pogojih visoke vlažnosti.

Varnost na delovnem mestu :

- Aparat je namenjen za košnjo trave. Naprave ne uporabljajte za druge dejavnosti.
- Delovno območje naj bo urejeno in dobro osvetljeno. Neurejenost in slaba osvetlitev prispevata k nesrečam.
- Pred začetkom dela pripravite in očistite območje, odstranite vse kamenje, veje, žice in druge tujke, ki štrlijo iz tal in za katere obstaja nevarnost spotikanja.
- Pri delu na nagnjenem terenu ali pobočjih bodite še posebej previdni.

- Naprave na električni pogon ne uporabljajte v eksplozivnih okoljih, ki jih ustvarjajo vnetljive tekočine, plini ali prah. Naprava lahko proizvaja iskre, ki lahko vžgejo prah ali hlape.
- Otrokom ali opazovalcem ne dovolite vstopa na območja, kjer se uporablja naprava na električni pogon. Zaradi motenj lahko izgubite nadzor nad napravo.
- Vrtno opremo z električnim pogonom puščajte stran od opazovalcev.
- Upravljalavec ali uporabnik je odgovoren za nesreče ali nevarnosti, ki se pojavijo pri drugih osebah ali v okolju.

Električna varnost

- Napravo priključite le na vtičnico z lastnostmi, ki so skladne z vrednostmi na tipski ploščici.
- Električno napajane opreme ne izpostavljajte dežju ali mokrim razmeram. Če v električno orodje pride voda, se poveča nevarnost električnega udara.

Varnost ljudi

- Naprave ne uporabljajte, če se uporabnik počuti utrujenega ali je pod vplivom alkohola, drog ali zdravil. Pri uporabi naprave je potrebna popolna koncentracija, zato je treba biti previden. Trenutek nepozornosti med uporabo električnega orodja lahko povzroči nesrečo in posledično hude telesne poškodbe ali materialno škodo.
- Nujno je treba uporabljati osebno zaščitno opremo. Vedno nosite tesno prilegajoča se zaščitna očala (v skladu s standardom EN 166 ali drugimi nacionalnimi predpisi). Zaradi glasnosti opreme nosite zaščito za ušesa. Priporočljiva je tudi uporaba zaščitne opreme, kot so maska

proti prahu, nedrseči varnostni čevlji z zgornjim delom, zaščitne rokavice.

- Nosite tesno prilegajoča se oblačila. Ohlapna oblačila, nakit, šali se lahko ujamejo v gibljive dele stroja, kar lahko privede do nevarnih nesreč. Če ima uporabnik dolge lase, jih mora imeti zavarovane in spete.
- Med delovanjem lahko naprava z veliko hitrostjo odvrže različne predmete. Obstaja nevarnost poškodb. Priporoča se uporaba ustreznih oblačil.
- Pred zagonom električnega orodja odstranite vse ključe in drugo orodje, ki se uporablja za nastavljanje naprave. Če pustite ključ v vrtečem se delu električnega orodja, lahko pride do poškodb.
- Izogibajte se delu v nenaravnem telesnem položaju. Zavzemite pravilno in stabilno držo, da se izognete možnosti izgube ravnotežja. To bo omogočilo boljši nadzor nad električnim orodjem v nepredvidljivih situacijah.
- Izogibajte se nenamernemu zagonu. Pred dvigovanjem ali prenašanjem opreme se prepričajte, da je napajalni kabel izključen iz električnega omrežja in da je stikalo v izklopljenem položaju. Prenajanje električno napajane opreme s prstom na stikalu ali priključitev na električno omrežje z vklopljenim stikalom lahko privede do nesreče.
- Roke in noge držite stran od gibljivih (vrtečih se) delov opreme.
- Ohranite varno razdaljo od mimoidočih oseb.
- Kljub po naravi varni zasnovi sama zasnova, uporaba varnostnih ukrepov in dodatnih zaščitnih ukrepov, med delovanjem vedno obstaja nevarnost preostalih poškodb.
- Za čiščenje stroja ne uporabljajte čistilnih sredstev ali alkohola.

- Sistem pritrditve delovnega orodja mora ustrezati dimenzijam električnega orodja. Delovnega orodja z nepravilnimi dimenzijami ni mogoče ustrezno zaščititi ali nadzorovati.
- Uporabljati je treba osebno zaščitno opremo. Glede na vrsto dela nosite zaščitno masko, ki pokriva celoten obraz, zaščito za oči, kot so zaščitna očala. Oči zaščitite pred tujki, ki se prenašajo po zraku in nastajajo med delom. Z masko proti prahu zaščitite dihalne poti pred prahom in hlapi, ki se prenašajo v zraku. Dolgotrajna izpostavljenost hrupu lahko povzroči izgubo sluha.
- Zagotovite, da so mimoidoči na varni razdalji od delovnega območja stroja. Vsi, ki se nahajajo v bližini delujočega električnega orodja, morajo uporabljati osebno zaščitno opremo
- Redno čistite prezračevalne reže opreme.
- Pred vsakim zagonom preverite, ali: - je oprema pravilno sestavljena v skladu z navodili; - je rezalno orodje v dobrem delovnem stanju; redno je treba preverjati pritrditev rezila, poškodbe in obrabo; - so varnostne naprave (npr. varovalo rezalne enote, ohišje, ročaj, motorno stikalo) v dobrem delovnem stanju in pravilno delujejo. Ko je stroj izklopljen, ostane rezilo še nekaj časa v gibanju. Pri tem je treba biti previden.

Varnostna navodila za polnilnik in akumulatorsko baterijo

- Če želite priključiti akumulator za polnjenje, vstavite akumulator v polnilnik in nato priključite polnilnik na vir napajanja.
- Polnilnik zaščitite pred dežjem in vlago. Polnilec se lahko

uporablja samo v zaprtih prostorih.

- Polnilnik naj bo čist.
- Polnilnika ne uporabljajte na vnetljivih predmetih in podlagah (npr. na papirju) ali v okoljih z eksplozivno in/ali vnetljivo atmosfero.
- Pri polnjenju vedno zagotovite ustrezno prezračevanje, saj lahko iz baterije uhajajo hlapi ali elektrolit, če je baterija poškodovana zaradi neustreznega ravnanja/poškodbe.
- Po končanem polnjenju izključite polnilnik iz stenske vtičnice. Ne puščajte ga priključenega na vir napajanja dlje, kot je potrebno.
- Baterijo shranjujte in polnite na suhem mestu in poskrbite, da vanjo ne pride voda.
- Konektorje baterije vzdržujte čiste in brez umazanije.
- Baterijo zaščitite pred udarci in vlago ter je nikoli ne odpirajte ali mehansko poškodujte.
- Če želite preveriti stopnjo napoljenosti akumulatorske baterije, pritisnite gumb na akumulatorski bateriji in po potrebi napolnite akumulatorsko baterijo glede na število LED diod in pričakovani čas delovanja akumulatorskega orodja.

Splošne informacije

- Pred odstranjevanjem košare je treba izklopiti motor, da se izognete morebitnim nevarnostim. Vedno upoštevajte varno razdaljo med ohišjem rezila in uporabnikom, ki je zagotovljena z ustreznimi ročaji. Pri košnji, zlasti na pobočjih, in pri spreminjanju smeri je priporočljivo biti še posebej previden. V ta namen je priporočljivo nositi obutev z nedrsečim podplatom in dolge hlače, da zmanjšate

nevarnost poškodb.

- Pri odstranjevanju koša in spreminjanju smeri na pobočjih ohranite stabilen položaj. S kosilnico vedno vozite po pobočju in se zaradi varnosti izogibajte košnji na pobočjih s kotom več kot 15°. Prav tako je pomembno, da ste previdni pri vzvratni vožnji in vleki kosilnice, da se izognete spotikanju.
- Ko je kosilnica odstranjena, mora varovalo odbijača zapreti odprtino za zadnji izpust, da se prepreči naključen dostop do rezila. Če v odprtini ostane trava, je priporočljivo kosilnico premakniti za nekaj razdalje, trava bi morala prosto izpadati. Tako boste lažje ponovno zagnali motor. Z ohišja kosilnice in rezila ne odstranjujte odpadkov z roko ali nogo, temveč uporabite ustrezno orodje, na primer ročno krtačo.
- Ko pritrjujete koš za zbiranje, se prepričajte, da je motor izklopljen in da je rezalno orodje mirujoče. Z eno roko dvignite varovalo odbijača, z drugo pa držite koš za ročaj in ga obesite z vrha. Da bi zagotovili učinkovito zbiranje trave, je priporočljivo redno čiščenje košare, pri čemer bodite še posebej pozorni na rešetke. Ti ukrepi bodo prispevali k ohranjanju varnosti in učinkovitosti kosilnice.



Če se na napravi nahaja oznaka - prekrižan zabojnik za odpadke, to pomeni, da za izdelek veljajo določila evropske smernice 2012/19/EU. Seznaniti se je treba z lokalnimi zahtevami za zbiranje električnih ter elektronskih odpadkov. Ukrepati je treba v skladu z lokalnimi predpisi. Izdelka se ne sme odstranjevati skupaj z navadnimi odpadki. Ustrezno odstranjevanje starega izdelka pomaga izključiti morebitne negativne učinke na okolje in človekovo zdravje.



Naprava izdelana iz visokokakovostnih materialov ter komponent, ki se lahko reciklirajo in ponovno uporabijo.

Opis naprave (A)

- | | |
|--|-------------------------------------|
| 1 Zgornji ročaj | 13 Posoda za travo |
| 2 Pritisni vzvodi za pritrditev zgornjega dela kosilnice | 13a Plastični jezički |
| 3 Spodnji ročaj | 13b Palice posode za travo |
| 4 Zadnja loputa | 13c Ročaj koša za travo |
| 5 Pritisni vzvodi za pritrditev spodnjega dela kosilnice | 14 Nosilec kabla |
| 6 Ročaj za prenašanje | 15 Kabel |
| 7 Ročica za nastavitev višine košnje | 16 Gumb za sprostitvev |
| 8 Pokrov baterije | 17 Ročaj za zagon |
| 9 Baterije (niso priložene) | 18 Komplet za izmetavanje trave |
| 9a Gumb za sprostitvev na bateriji | 18a Nosilec na kompletu za mulčenje |
| 10 Ključ za vžig | 19 Dvojni polnilnik |
| 11 Kolesa | 20 Rezilo |
| 12 Ohišje stroja | 21 Vijak rezila |
| | 22 Vreteno motorja |

Vklop in izklop (G):

Naprave ne zaženite nepopolno ali nepravilno sestavljene. Pred zagonom preverite, ali so vsi varnostni elementi v dobrem stanju.

- Postavite enoto na ravno površino.
- Dvignite pokrov (8) ohišja naprave in vstavite napolnjene baterije (9).
- vstavite ključ za vžig (10) v ustrezno odprtino ob bateriji (9). (Ključ za vžig je mogoče vstaviti samo v enem položaju).
- pred vklopom naprave se prepričajte, da se rezilo ne dotika nobenih predmetov.
- za vklop enote pritisnite gumb za sprostitvev blokade (16) in ga držite pritisnjene, nato pa pritisnite zagonsko ročico (17). Nato sprostite gumb za sprostitvev zaklepa (16).
- Če želite enoto izklopiti, spustite zagonsko ročico (17). Po izklopu naprave se rezilo še nekaj sekund vrti. Ne dotikajte se premikajočega se rezila.
- Če želite iz aparata odstraniti baterijski vložek (9), pritisnite gumb za sprostitvev (9a) na baterijskem vložku in izvlecite baterijski vložek.
- Če želite vstaviti paket baterij (9), ga potisnite vzdolž vodila.

Odstranjevanje posode za travo (E)

- Če želite namestiti posodo za travo (13), dvignite zadnja vrata (4) in obesite posodo za travo (13) na oba ročaja.
- Zložite zadnja vrata (4) nad posodo za travo (13).
- Če želite odstraniti posodo za travo (13), dvignite pokrov (4) in odstranite posodo za travo (13).
- Zadnje vrata (4) zložite nazaj na ohišje stroja (12).

Nastavitev višine (F):

- Primite ročico (7) za nastavitev višine košnje in jo potisnite mimo zaskočnega mehanizma do zelene višine košnje.

Stroj ima 6 položajev za nastavitev višine rezanja (F):

- 25 mm/35 mm - nizka višina rezanja
- 45 mm/55 mm - srednja višina rezanja
- 65 mm/75 mm - visoka višina rezanja

Pravilna višina košnje je med 25 in 45 mm za okrasno trato in približno 45-65 mm za uporabno trato.

Shranjevanje (K)

- Sprostite pritiski vzvod (2+5) ter zgornjo (1) in spodnjo (3) palico zložite skupaj, da enota zavzame manj prostora. Pri tem pazite, da ne stisnete kablov enote.
- Napravo shranjujte na suhem mestu, nedosegljivem otrokom.
- Pred shranjevanjem naprave v zaprtem prostoru počakajte, da se motor ohladi.

MONTAŽA

Sestavljanje spodnje palice (B)

1. Spodnji nastavek (3) zložite navzgor.
2. Za pritrditev zavrtite spodnje vzvode (5) v smeri urinega kazalca.
3. Zatakните pritrdilne vzvode (5) in jih potisnite proti spodnjemu nastavku (3). Pritrdilno potegnite vpenjalne vzvode in jih nato poravnajte s palico, tako da lahko zategovanje izvedete s srednjo silo. Če to ne uspe, nadaljujte z vrtenjem zategovalnega vzvoda v smeri urinega kazalca ali pa ga sprostite tako, da ga obrnete v nasprotni smeri urinega kazalca.

Namestitev zgornje palice (C)

- Zgornjo palico (1) pritrdite z vijaki (2b), podložkami (2a) in zgornjimi vzvodi (2) desno in levo od spodnje palice (3). Gumb za sprostitve (16) mora biti na desni strani v smeri košnje. Možna sta dva položaja.
2. Obrnite vpenjalni vzvod (2) v smeri urinega kazalca.
 3. Zatakните vpenjalne ročice (2) tako, da jih pritisnete v smeri palice (3). Zategovalni vzvodi morajo počivati ob palici tako, da je možno zategovanje s srednjo silo. Če to ne uspe, nadaljujte z obračanjem zategovalnih vzvodov v smeri urinega kazalca ali jih sprostite z obračanjem v nasprotni smeri urinega kazalca.

Sestavljanje posode za travo (E)

1. Ročaj (13c) posode za travo (13) zaskočite v zgornji del posode za travo (13).
2. Plastične jezičke (13a) posode za travo (13) namestite na palice posode za travo (13b).

Komplet za izmetavanje trave (J)

Pritrditev kompleta za izmetavanje trave

- 1 Odstranite posodo za travo.
2. Dvignite zadnjo loputo
3. Potisnite komplet za izmetavanje trave (18) na svoje mesto. Nosilec (18a) se bo zaskočil na svoje mesto.

Odstranjevanje kompleta za izmetavanje trave (J)

- 4 Izvlecite nosilec (18a) in odstranite komplet za izmetavanje trave (18).

Čiščenje in vzdrževanje:

Pred servisiranjem in shranjevanjem iz enote odstranite baterijo! Stik delov telesa s premikajočim se rezalnim elementom lahko povzroči poškodbe, invalidnost ali smrt!

Ne pozabite, da se rezalni element giblje še nekaj časa po izklopu motorja.

- Čistoča in redno vzdrževanje sta bistvenega pomena za pravilno delovanje naprave. Priporočamo, da kosilnico po vsaki uporabi temeljito očistite s krtačo, krpo ali stisnjanim zrakom. Pomembno je, da se izogibate uporabi čistil ali topil in poskrbite, da v napravo ne pride voda.
- Pred vsako uporabo je dobro, da kosilnico skrbno pregledate in na njej poiščete vidne napake, kot so ohlapni ali poškodovani sestavni deli. Redno preverjanje zategnjenosti vseh vijakov in sornikov je ključnega pomena, saj lahko obrabljeni ali premalo zategnjeni sestavni deli povzročijo nevarne poškodbe motorja ali okvirja.

- Redno spremljajte stanje ohišja, varnostnih elementov in koša za zbiranje morebitnih poškodb ter preverite stabilnost njihove pritrditve. Če opazite kakršne koli nepravilnosti, jih je priporočljivo takoj popraviti ali zamenjati z novimi.
- Po košnji počakajte, da se motor ohladi, preden kosilnico spravite v skladišče. Če rezilo trdo zadane ob tuji predmet, takoj ustavite kosilnico in se posvetujte s serviserjem.
- Po vsaki košnji skrbno preglejte kosilnico in odstranite vse rastlinske ostanke s koles, lukenj in izpod ohišja (prostora za rezila). Za to uporabite občutljivo orodje, na primer kos lesa ali plastike, in se izogibajte trdim orodjem, ki lahko poškodujejo stroj.
- Da bi zmanjšali nevarnost požara, redno čistite prostor motorja od rastlinskih ostankov. Vse zelene ostanke, ki obkrožajo motor, je treba odstraniti, priporočljivo pa je, da to opravite vsaj po koncu sezone košnje. Pri intenzivni uporabi je priporočljivo čiščenje ponoviti 1-2-krat v sezoni, pri čemer je treba zagotoviti, da je rezilo vedno ostro in dobro uravnoteženo, kar zagotavlja optimalno košnjo.

Tehnični podatki:

Napetost baterije 2 x 18 V, združljiva s serijo OneDNA18V, Blaupunkt BP1840, BP1850

Hitrost brez obremenitve $n=2900$ minut¹

Širina rezanja: 430 mm

Višina rezanja: 25/35/45/60/75 mm

Prostornina košare za pokošeno travo: 30l

Teža brez akumulatorja/polnilnika 10,6 kg

Stopnja zaščite IP40

Hrup

raven zvočnega tlaka (LpA): 76.2 dB (A); K= 3dB(A)

izmerjena raven zvočne moči (LpA): 87 dB (A); K= 2.33dB(A)

Zagotovljena raven zvočne moči (LpA): 96 dB (A);

VAŽNA INFORMACIJA

Kako biste postigli najveće zadovoljstvo, uživali u radu proizvoda i naučili sve njegove značajke i funkcije, molimo pročitajte ovaj priručnik prije uporabe ovog proizvoda. Prije uporabe uređaja pročitajte priručnik i slijedite upute sadržane u njemu. Proizvođač ne snosi odgovornost za štetu nastalu uporabom uređaja nenamjenskom ili nestručnim rukovanjem. Sačuvajte upute za uporabu kako biste ih mogli koristiti i pri kasnijoj uporabi proizvoda.

- Nemojte uranjati uređaj u vodu ili bilo koju drugu tekućinu.
- Aparat treba redovito čistiti kao što je opisano u odjeljku Čišćenje i održavanje aparata.
- Ne postavljajte uređaj blizu izvora topline, plamena, električnih elemenata. Ne stavljajte ga na bilo koji drugi uređaj.
- Budite posebno oprezni kada koristite uređaj kada su u blizini djeca ili kućni ljubimci.
- Ne dopustite djeci da se igraju s uređajem.
- Ne izlažite uređaj atmosferskim uvjetima (kiša, sunce, itd.) niti ga koristite u vlažnim uvjetima.
- Koristite samo originalni pribor i rezervne dijelove za uređaj ili one koje preporučuje proizvođač. Korištenje dodatka ili dijelova koje proizvođač nije preporučio može oštetiti uređaj i ugroziti sigurnost korištenja.
- Držite svoj radni prostor urednim i dobro osvijetljenim.
- Nered i nedovoljna rasvjeta dovode do nezgoda.
- Trenutak nepažnje dovodi do gubitka kontrole nad alatom.
- Ne naginjite se previše s električnim alatom. Održavajte stabilan položaj i ravnotežu. To će vam pomoći da zadržite bolju kontrolu nad električnim alatom u nepredviđenim situacijama.
- Izbjegavajte nenamjerno pokretanje električnog alata. Prije spajanja električnog alata na električnu mrežu provjerite je li prekidač napajanja u položaju OFF. Nošenje električnog

alata s prstom na okidaču ili priključivanje električnog alata na električnu mrežu nakon što je već uključen može dovesti do nezgoda.

- Nosite odgovarajuću odjeću. Nemojte raditi u širokoj odjeći ili nositi nakit dok radite. Držite kosu, odjeću i rukavice dalje od pokretnih dijelova. Pokretni dijelovi električnog alata mogu zahvatiti i povući široku odjeću, nakit ili dugu kosu.
- Prije pokretanja električnog alata uklonite sve ključeve ili alate. Alat ili ključ koji je još uvijek spojen na rotirajući dio električnog alata može uzrokovati ozljede.
- Budite oprezni kada radite s električnim alatima, usredotočite se na svoj posao i koristite zdrav razum. Nemojte koristiti električni alat ako ste umorni ili pod utjecajem droga, alkohola ili lijekova. Čak i trenutak nepažnje pri radu s električnim alatom riskira ozbiljnu nesreću.
- Držite djecu podalje od radnog područja i **NEMOJTE** dopustiti djeci da vuku kabel za napajanje jer to može uzrokovati ozbiljne ozljede.
- Prije bilo kakvih podešavanja, mijenjanja pribora ili odlaganja električnog alata radi pohranjivanja, okrenite prekidač u položaj isključeno kako biste isključili električni alat iz napajanja. Takve mjere opreza smanjuju rizik od slučajnog pokretanja električnog alata.
- Koristite alat samo u suhom, dobro osvijetljenom okruženju.
- Ovaj alat ne smiju koristiti osobe mlađe od 16 godina.

	Pročitajte korisnički priručnik		Nosite sredstva za zaštitu ušiju
	Opće upozorenje		Nosite zaštitne rukavice
	Opasnost od požara		Nosite zaštitnu odjeću
	Opasnost strujnog udara		Nosite zaštitnu masku
	Nosite zaštitne naočale		Koristite zaštitu za dišne puteve

- 1 Upozorenje na opasnost. Budite krajnje oprezni.
2. Važno, pročitajte upute i pridržavajte se upozorenja.
- 3 Nosite zaštitne naočale.
4. Koristite zaštitne štitnike za uši.
5. Uvijek isključite iz napajanja prije popravka ili održavanje. U slučaju oštećenja kabela, odmah isključite ovaj uređaj iz zidne utičnice.
6. Nemojte koristiti jedinicu na kiši ili u uvjetima visoke vlažnosti.

Sigurnost na radnom mjestu:

- Uređaj je namijenjen za rezanje trave. Nemojte koristiti jedinicu za druge aktivnosti.
- Održavajte radni prostor urednim i dobro osvijetljenim. Nered i slabo osvijetljenje doprinose nesrećama.
- Prije početka radova pripremite i očistite prostor, uklonite sve kamenje, grane, žice i druge strane predmete koji strše iz tla i o koje postoji opasnost od spoticanja.
- Budite posebno oprezni ako radite na nagnutom terenu ili padinama.
- Nemojte koristiti električni uređaj u eksplozivnom okruženju koje stvaraju zapaljive tekućine, plinovi ili prašina. Uređaj može proizvesti iskre koje mogu zapaliti prašinu ili pare.

- Nemojte dopustiti djeci ili promatračima da uđu u prostore u kojima se koristi električni uređaj. Ometanja mogu uzrokovati gubitak kontrole nad uređajem.
- Ostavite vrtnu opremu na električni pogon dalje od promatrača.
- Operater ili korisnik odgovoran je za nesreće ili opasnosti koje se dogode drugim osobama ili okolišu.

Električna sigurnost

- Aparat priključite samo na utičnicu s karakteristikama u skladu s vrijednostima na pločici s tehničkim podacima.
- Ne izlažite opremu s električnim pogonom kiši ili vlažnim uvjetima. Ako voda uđe u električni alat, povećava se opasnost od strujnog udara.

Ljudska sigurnost

- Nemojte koristiti opremu ako se korisnik osjeća umorno ili je pod utjecajem alkohola, droga ili lijekova. Pri uporabi uređaja potrebna je puna koncentracija i oprez. Trenutak nepažnje tijekom korištenja električnog alata može dovesti do nesreće i posljedične ozbiljne ozljede ili materijalne štete.
- Nužno je nositi osobnu zaštitnu opremu. Uvijek nosite bliske zaštitne naočale (prema EN 166 ili drugim nacionalnim propisima). Nosite zaštitu za uši zbog glasnosti opreme. Također se preporučuje korištenje zaštitne opreme kao što su maska za prašinu, protuklizne sigurnosne cipele s gornjim dijelom, zaštitne rukavice.
- Nosite pripijenu odjeću. Široka odjeća, nakit, šalovi mogu biti zahvaćeni pokretnim dijelovima stroja, što može dovesti do opasnih nesreća. Ako korisnik ima dugu kosu, treba je učvrstiti i pričvrstiti.
- Tijekom rada, uređaj može velikom brzinom izbacivati razne predmete. Postoji opasnost od ozljeda. Preporuča se korištenje prikladne odjeće.
- Prije pokretanja električnog alata uklonite sve ključeve i

druge alate koji se koriste za podešavanje jedinice. Ostavljanje ključa u rotirajućem dijelu električnog alata može uzrokovati ozljede.

- Izbjegavajte rad u neprirodnom položaju tijela. Zauzmite ispravan i stabilan položaj kako biste izbjegli mogućnost gubitka ravnoteže. To će omogućiti bolju kontrolu električnog alata u nepredvidivim situacijama.
- Izbjegavajte nenamjerno pokretanje. Prije podizanja ili nošenja opreme provjerite je li kabel za napajanje isključen i je li prekidač u isključenom položaju. Nošenje opreme s električnim pogonom s prstom na prekidaču ili spajanje na električnu mrežu s uključenim prekidačem može dovesti do nezgode.
- Držite ruke i noge podalje od pokretnih (rotirajućih) dijelova opreme.
- Držite se na sigurnoj udaljenosti od promatrača. Unatoč inherentno sigurnom dizajnu sam dizajn, korištenje sigurnosne mjere i dodatne zaštitne mjere, uvijek postoji rizik od preostalih ozljeda tijekom rada.
- Ne koristite deterdžente ili alkohol za čišćenje stroja.
- Sustav pričvršćivanja radnog alata mora odgovarati dimenzijama električnog alata. Radni alati neodgovarajućih dimenzija ne mogu se dovoljno zaštititi ili kontrolirati.
- Mora se koristiti osobna zaštitna oprema. Ovisno o vrsti posla, nosite zaštitnu masku koja pokriva cijelo lice, zaštitu za oči poput zaštitnih naočala. Zaštitite oči od stranih tijela u zraku koja nastaju tijekom rada. Zaštitite dišne puteve od prašine i para u zraku maskom protiv prašine. Dugotrajna izloženost buci može dovesti do gubitka sluha.
- Osigurajte da se promatrači drže na sigurnoj udaljenosti od radnog područja stroja. Svatko tko se nalazi u blizini električnog alata koji radi mora koristiti osobnu zaštitnu opremu
- Redovito čistite ventilacijske otvore na opremi.
- Prije svakog pokretanja provjerite da li je: - oprema pravilno sastavljena, u skladu s uputama; - alat za rezanje je u

dobrom radnom stanju; pričvršćenje oštrice, oštećenja i istrošenost moraju se redovito provjeravati; - sigurnosni uređaji (npr. zaštita jedinice za rezanje, kućište, ručka, prekidač motora) jesu li u dobrom stanju i ispravno funkcioniraju. Kada je stroj isključen, oštrica još neko vrijeme ostaje u pokretu. Treba biti oprezan.

Sigurnosne upute za punjač i bateriju

- Za priključivanje baterije za punjenje, umetnite bateriju u punjač i zatim spojite punjač na izvor napajanja.
- Zaštitite punjač od kiše i vlage. Punjač se smije koristiti samo u zatvorenom prostoru.
- Održavajte punjač čistim.
- Ne koristite punjač na zapaljivim predmetima i podlogama (npr. papir) ili u okruženjima s eksplozivnom i/ili zapaljivom atmosferom.
- Tijekom punjenja uvijek osigurajte odgovarajuću ventilaciju jer iz baterije mogu iscuriti pare ili elektrolit ako je baterija oštećena zbog nestručnog rukovanja/oštećenja.
- Isključite punjač iz zidne utičnice kada je punjenje završeno. Ne ostavljajte ga priključenog na izvor napajanja dulje nego što je potrebno.
- Čuvajte i puniti bateriju na suhom mjestu i pazite da u nju ne uđe voda.
- Konektore baterije održavajte čistima i čistima.
- Zaštitite bateriju od udara, vlage i nikada je nemojte otvarati ili mehanički oštetiti.
- Kako biste provjerili napunjenost baterije, pritisnite gumb na bateriji i po potrebi napunite bateriju prema broju LED dioda i očekivanom vremenu rada akumulatorskog alata.

Opće informacije

- Prije skidanja košare potrebno je ugasiti motor kako bi se izbjegle potencijalne opasnosti. Uvijek se pridržavajte sigurnog razmaka između kućišta oštrice i korisnika, što osiguravaju odgovarajuće ručke. Preporučljivo je biti

posebno oprezan pri košnji, osobito na padinama, te pri promjeni smjera. U tu svrhu preporučljivo je nositi obuću s neklizajućim potplatom i duge hlače kako bi se smanjio rizik od ozljeda.

- Kada uklanjate košaru i mijenjate smjer na nagibima, zadržite stabilan položaj. Uvijek vozite kosilicu preko padine i izbjegavajte kosnju na padinama većim od 15° iz sigurnosnih razloga. Također je važno biti oprezan kada vozite unatrag i vučete kosilicu kako biste izbjegli spoticanje.
- Kada je kosilica uklonjena, štitnik branika trebao bi zatvoriti stražnji otvor za pražnjenje kako bi se spriječio slučajni pristup nožu. Ako trava ostane u otvoru, preporučljivo je malo pomaknuti kosilicu, trava bi trebala slobodnije ispadati. To će olakšati ponovno pokretanje motora. Ne uklanjajte ostatke s kućišta kosilice i noža rukom ili nogom, već koristite prikladne alate kao što je ručna četka.
- Prilikom pričvršćivanja košare za sakupljanje, provjerite je li motor isključen i alat za rezanje nepomičan. Podignite štitnik odbojnika jednom rukom, a drugom držite torbu za ručku, objesite je s vrha. Kako biste osigurali učinkovito skupljanje trave, preporučljivo je redovito čistiti košaru, a posebnu pozornost posvetiti rešetkama. Ove će mjere pridonijeti održavanju sigurnosti i učinkovitosti kosilice.



Ako uređaj ima znak prekrštenog kontejnera za smeće, to znači da je proizvod pokriven odredbama Europske direktive 2012/19/EU. Molimo pogledajte zahtjeve lokalnog sustava za prikupljanje električnog i elektroničnog otpada. Postupajte u skladu s lokalnim propisima. Ne bacajte ovaj proizvod zajedno s kućnim otpadom. Pravilno odlaganje isluženog uređaja će spriječiti potencijalne negativne posljedice za prirodni okoliš i ljudsko zdravlje.



Proizvod je izrađen od visokokvalitetnih materijala, koji se mogu reciklirati i ponovo upotrijebiti.

Opis uređaja (A)

- | | |
|---|-------------------------------------|
| 1 Gornja ručka | 13a Plastični jezičci |
| 2 Pritisne poluge za pričvršćivanje gornjeg dijela kosilice | 13b Prečke za kontejnere za travu |
| 3 Donja ručka | 13c Ručka sakupljača trave |
| 4 Stražnji poklopac | 14 Držač kabela |
| 5 Pritisne poluge za učvršćivanje donjeg dijela kosilice | 15 Kabel |
| 6 Ručka za nošenje | 16 Gumb za otpuštanje |
| 7 Poluga za podešavanje visine reza | 17 Ručka startera |
| 8 Poklopac baterije | 18 Set za izbacivanje trave |
| 9 baterija (ne isporučuju se) | 18a Nosač na kompletu za malčiranje |
| 9a Gumb za otpuštanje baterije | 19 Dvostruki punjač |
| 10 Ključ za paljenje | 20 Oštrica |
| 11 Kotači | 21 Vijak oštrice |
| 12 Kućište stroja | 22 Vreteno motora |
| 13 Posuda za travu | |

Uključivanje i isključivanje (G):

Ne pokrećite jedinicu nedovršenu ili neispravno sastavljenu. Prije pokretanja provjerite jesu li sve sigurnosne komponente u dobrom stanju.

- 1 Postavite jedinicu na ravnu površinu.
 2. podignite poklopac (8) kućišta uređaja i umetnite napunjene baterije (9).
 3. umetnite ključ za paljenje (10) u odgovarajući otvor pored baterije (9). (Ključ za paljenje može se umetnuti samo u jednom položaju).
 4. provjerite da oštrica ne dodiruje nikakve predmete prije nego što uključite jedinicu.
 5. za uključivanje jedinice, pritisnite tipku za otključavanje (16) i držite je pritisnutu, zatim pritisnite polugu za pokretanje (17). Zatim otpustite gumb za otpuštanje brave (16).
 6. Za isključivanje uređaja pustite polugu za pokretanje (17).
- Nakon što se uređaj isključi, oštrica se nastavlja okretati nekoliko sekundi. Ne dirajte pokretnu oštricu. Za uklanjanje baterije (9) iz uređaja, pritisnite gumb za otpuštanje (9a) na bateriji i izvucite bateriju. Za umetanje baterije (9), gurnite je duž vodilice.

Uklanjanje spremnika za travu (E)

1. Za postavljanje spremnika za travu (13), podignite vrata prtljažnika (4) i objesite spremnik za travu (13) na obje ručke.
2. Preklopite vrata prtljažnika (4) preko spremnika za travu (13).
3. Za uklanjanje spremnika za travu (13), podignite poklopac (4) i uklonite spremnik za travu (13).
4. Preklopite stražnji poklopac (4) natrag na kućište stroja (12).

Podešavanje visine (F):

1. Uхватite ručicu (7) za podešavanje visine rezanja i gurnite je pored zapornog mehanizma do željene visine rezanja.

Stroj ima 6 položaja za podešavanje visine rezanja (F):

- 25 mm/35 mm - mala visina rezanja
- 45 mm/55 mm - srednja visina rezanja
- 65 mm/75 mm - visoka visina rezanja

Ispravna visina rezanja je između 25 i 45 mm za ukrasni travnjak i približno 45-65 mm za pomoćni travnjak.

Skladištenje (K)

- Otpustite potisnu polugu (2+5) i savijte gornju šipku (1) i donju šipku (3) zajedno kako biste jedinica zauzima manje prostora. Pritom pazite da ne priključite kabele jedinice.
- Čuvajte uređaj na suhom mjestu izvan dohvata djece.
- Prije pohranjivanja uređaja u zatvorenom prostoru, pustite motor smiri se.

MONTAŽA

Sastavljanje donje šipke (B)

1. Preklopite donji nastavak (3) prema gore.
2. Okrenite donje poluge (5) u smjeru kazaljke na satu kako biste ih fiksirali.
3. Zaključajte stezne poluge (5), gurnite ih prema donjoj šipki (3). Čvrsto povucite poluge za stezanje i zatim ih poravnajte sa šipkom tako da se zatezanje može izvesti srednjom snagom. Ako ovo ne uspije, nastavite okretati polugu za zatezanje u smjeru kazaljke na satu ili je treba olabaviti okretanjem suprotno od kazaljke na satu.

Ugradnja gornje šipke (C)

Pričvrstite gornju šipku (1) pomoću vijaka (2b), podložaka (2a) i gornjih poluga (2) desno i lijevo od donje šipke (3). Tipka za otpuštanje (16) mora biti s desne strane u smjeru košnje. Moguća su dva položaja.

2. Okrenite steznu polugu (2) u smjeru kazaljke na satu.
3. Zaključajte stezne poluge (2) pritiskajući ih u smjeru šipke (3). Poluge za zatezanje moraju nalijegati na šipku na takav način da je moguće zatezanje srednjom snagom. Ako ovo ne uspije, nastavite okretati poluge za zatezanje u smjeru kazaljke na satu ili ih olabavite okretanjem suprotno od kazaljke na satu.

Sastavljanje spremnika za travu (E)

1. Pritisnite ručicu (13c) spremnika za travu (13) na vrh spremnika za travu (13).
2. Postavite plastične jezičke (13a) spremnika za travu (13) na šipke spremnika za travu (13b).

Komplet za izbacivanje trave (J)

Popravljanje kompleta za izbacivanje trave

1. Uklonite spremnik za travu.
2. podignite stražnji poklopac
3. Gurnite komplet za izbacivanje trave (18) na mjesto. Nosač (18a) će sjednuti na mjesto.

Uklanjanje kompleta za izbacivanje trave (J)

- 4 Izvucite držač (18a) i uklonite komplet za izbacivanje trave (18).

Čišćenje i održavanje:

Izvadite bateriju iz uređaja prije servisiranja i skladištenja! Kontakt dijelova tijela s pokretnim reznim elementom može uzrokovati ozljede, invaliditet ili smrt!

Zapamtite da se rezni element nastavlja kretati neko vrijeme nakon što se motor isključi.

- Čistoća i redovito održavanje ključni su za pravilan rad stroja. Preporučamo temeljito čišćenje kosilice nakon svake uporabe četkom, krpom ili komprimiranim zrakom. Važno je izbjegavati korištenje sredstava za čišćenje ili otapala i osigurati da voda ne uđe u jedinicu.
- Prije svake uporabe, dobro je pažljivo pregledati kosilicu za vidljive nedostatke kao što su labavi ili oštećeni dijelovi. Redovita provjera zategnutosti svih vijaka je ključna jer istrošene ili nedovoljno zategnute komponente mogu dovesti do opasnog oštećenja motora ili okvira.
- Redovito nadzirite stanje kućišta, sigurnosnih komponenti i košare za prikupljanje radi eventualnih oštećenja i provjeravajte stabilnost njihovog pričvršćenja. Ako primijetite bilo kakve nepravilnosti, preporučuje se da ih odmah popravite ili zamijenite novima.
- Nakon košnje pričekajte da se motor ohladi prije nego kosilicu spremite. Ako oštrica snažno udari u strano tijelo, odmah zaustavite kosilicu i obratite se serviseru.
- Pažljivo pregledajte kosilicu nakon svake košnje i uklonite sve ostatke biljaka s kotača, rupa i ispod kućišta (odjeljka za oštrice). Za to koristite osjetljiv alat kao što je komad drveta ili plastike, izbjegavajući tvrde alate koji mogu oštetiti stroj.
- Kako biste smanjili rizik od požara, redovito čistite odjeljak motora od biljnih ostataka. Sve zelene ostatke koji okružuju motor potrebno je ukloniti, a preporučljivo je ovaj postupak izvesti barem nakon sezone košnje. Uz intenzivnu upotrebu, preporučljivo je ponoviti čišćenje 1-2 puta tijekom

sezone, osiguravajući da je oštrica uvijek oštra i dobro izbalansirana kako bi se zajamčio optimalan rez.

Tehnički podaci:

Napon baterije 2 x 18 V, kompatibilan sa serijom OneDNA18V, Blaupunkt BP1840, BP1850

Brzina bez opterećenja $n=2900$ minuta¹

Širina rezanja: 430 mm

Visina rezanja: 25/35/45/60/75 mm

Kapacitet spremnika za pokošenu travu: 30l

Težina bez baterije/punjača 10,6 kg

Stupanj zaštite IP40

Glas

Nivo zvuka pritiska (LpA): 76.2 dB (A) ; K= 3 dB(A)

Mjerena nivo energije zvuka (LpA): 87 dB (A) ; K= 2.33dB(A)

Garantirani nivo zvukovne energije (LpA): 96 dB (A) ;

ΣΗΜΑΝΤΙΚΕΣ ΠΛΗΡΟΦΟΡΙΕΣ

Για να επιτύχετε την υψηλότερη δυνατή ικανοποίηση, να απολαύσετε την απόδοση του προϊόντος και να μάθετε όλα τα χαρακτηριστικά και τις λειτουργίες του, διαβάστε το παρόν εγχειρίδιο πριν χρησιμοποιήσετε το προϊόν. Πριν χρησιμοποιήσετε τη συσκευή, διαβάστε το εγχειρίδιο και ακολουθήστε τις οδηγίες που περιέχονται σε αυτό. Ο κατασκευαστής δεν ευθύνεται για ζημιές που προκαλούνται από τη χρήση της συσκευής που δεν είναι σύμφωνη με την προβλεπόμενη χρήση ή από ακατάλληλο χειρισμό. Διατηρήστε τις οδηγίες χρήσης, ώστε να μπορείτε να τις χρησιμοποιήσετε και κατά τη χρήση του προϊόντος σε μεταγενέστερο χρόνο.

- Μην βυθίζετε τη συσκευή σε νερό ή οποιοδήποτε άλλο υγρό.
- Η συσκευή πρέπει να καθαρίζεται τακτικά, όπως περιγράφεται στην ενότητα Καθαρισμός και συντήρηση της συσκευής.
- Μην τοποθετείτε τη συσκευή κοντά σε πηγές θερμότητας, φλόγες, ηλεκτρικό στοιχείο Μην την τοποθετείτε πάνω σε οποιαδήποτε άλλη συσκευή.
- Να είστε ιδιαίτερα προσεκτικοί όταν χρησιμοποιείτε τη συσκευή όταν βρίσκονται κοντά παιδιά ή κατοικίδια ζώα.
- Μην αφήνετε τα παιδιά να παίζουν με τη συσκευή.
- Μην εκθέτετε τη συσκευή σε ατμοσφαιρικές συνθήκες (βροχή, ήλιος κ.λπ.) και μην τη χρησιμοποιείτε σε συνθήκες υγρασίας.
- Χρησιμοποιείτε μόνο αυθεντικά εξαρτήματα και ανταλλακτικά για τη συσκευή ή αυτά που συνιστά ο κατασκευαστής. Η χρήση αξεσουάρ ή ανταλλακτικών που δεν συνιστώνται από τον κατασκευαστή μπορεί να προκαλέσει ζημιά στη συσκευή και να θέσει σε κίνδυνο την ασφάλεια χρήσης.
- Διατηρείτε το χώρο εργασίας σας τακτοποιημένο και καλά φωτισμένο.
- Η αταξία και ο ανεπαρκής φωτισμός οδηγούν σε ατυχήματα.

- Μια στιγμή απροσεξίας εγκυμονεί τον κίνδυνο να χάσετε τον έλεγχο του εργαλείου.
- Μην σκύβετε υπερβολικά με το ηλεκτρικό εργαλείο. Διατηρείτε σταθερή στάση και ισορροπία. Αυτό θα σας βοηθήσει να διατηρήσετε καλύτερο έλεγχο του ηλεκτρικού εργαλείου σε απρόβλεπτες καταστάσεις.
- Αποφύγετε την ακούσια εκκίνηση του ηλεκτρικού εργαλείου. Ελέγξτε ότι ο διακόπτης ρεύματος βρίσκεται στη θέση OFF πριν συνδέσετε το ηλεκτρικό εργαλείο στο δίκτυο. Το να μεταφέρετε το ηλεκτρικό εργαλείο με το δάχτυλο στη σκανδάλη ή το να συνδέσετε το ηλεκτρικό εργαλείο στο δίκτυο αφού έχει ήδη ενεργοποιηθεί μπορεί να οδηγήσει σε ατυχήματα.
- Φοράτε κατάλληλο ρουχισμό. Μην εργάζεστε με φαρδιά ρούχα και μην φοράτε κοσμήματα κατά την εργασία. Κρατήστε τα μαλλιά, τα ρούχα και τα γάντια μακριά από τα κινούμενα μέρη. Τα κινούμενα μέρη του ηλεκτρικού εργαλείου μπορεί να πιάσουν και να τραβήξουν χαλαρά ρούχα, κοσμήματα ή μακριά μαλλιά.
- Αφαιρέστε τυχόν κλειδιά ή εργαλεία από το ηλεκτρικό εργαλείο πριν από την εκκίνησή του. Ένα εργαλείο ή κλειδί που είναι ακόμα συνδεδεμένο με το περιστρεφόμενο μέρος του ηλεκτρικού εργαλείου μπορεί να προκαλέσει τραυματισμό.
- Να είστε προσεκτικοί όταν εργάζεστε με ηλεκτρικά εργαλεία, να συγκεντρώνεστε στην εργασία σας και να χρησιμοποιείτε την κοινή λογική. Μην χρησιμοποιείτε ηλεκτρικό εργαλείο όταν είστε κουρασμένοι ή υπό την επήρεια ναρκωτικών, αλκοόλ ή φαρμάκων. Ακόμη και μια στιγμή απροσεξίας κατά την εργασία με ηλεκτρικό εργαλείο ενέχει τον κίνδυνο σοβαρού ατυχήματος.
- Κρατήστε τα παιδιά μακριά από την περιοχή εργασίας και ΜΗΝ επιτρέπετε στα παιδιά να τραβούν το καλώδιο ρεύματος αυτό μπορεί να προκαλέσει σοβαρό τραυματισμό.

- Πριν κάνετε οποιαδήποτε ρύθμιση, αλλάξετε εξαρτήματα ή τοποθετήσετε το ηλεκτρικό εργαλείο για αποθήκευση, γυρίστε το διακόπτη στη θέση off για να αποσυνδέσετε το ηλεκτρικό εργαλείο από την παροχή ρεύματος. Αυτές οι προφυλάξεις μειώνουν τον κίνδυνο ακούσιας εκκίνησης του ηλεκτρικού εργαλείου.
- Χρησιμοποιείτε το εργαλείο μόνο σε στεγνό, καλά φωτισμένο περιβάλλον.
- Αυτό το εργαλείο δεν πρέπει να χρησιμοποιείται από άτομα κάτω των 16 ετών.

	Διαβάστε τις οδηγίες χρήστη.		Φοράτε προστασία αυτιών
	Γενικές προειδοποιήσεις		Φοράτε προστατευτικά γάντια
	Κίνδυνος πυρκαγιάς		Φοράτε προστατευτική ενδυμασία
	Κίνδυνος ηλεκτροπληξίας		Φοράτε προστατευτική μάσκα
	Φοράτε γυαλιά ασφαλείας		Φοράτε αναπνευστική προστασία

- 1 Προειδοποίηση κινδύνου. Να είστε ιδιαίτερα προσεκτικοί.
2. Σημαντικό, διαβάστε τις οδηγίες και τηρήστε τις προειδοποιήσεις.
3. Να φοράτε γυαλιά ασφαλείας.
4. Χρησιμοποιήστε προστατευτικές ωτοασπίδες.
5. Αποσυνδέετε πάντα την παροχή ρεύματος πριν από την επισκευή ή την τη συντήρηση. Σε περίπτωση βλάβης του καλωδίου, αμέσως αποσυνδέστε αυτή τη συσκευή από την πρίζα.
6. Μην χρησιμοποιείτε τη συσκευή στη βροχή ή σε συνθήκες υψηλής υγρασίας.

Ασφάλεια στο χώρο εργασίας :

- Η συσκευή έχει σχεδιαστεί για την κοπή χόρτων. Μην χρησιμοποιείτε τη συσκευή για άλλες δραστηριότητες.
- Διατηρείτε το χώρο εργασίας τακτοποιημένο και καλά φωτισμένο. Η αταξία και ο κακός φωτισμός συμβάλλουν στην πρόκληση ατυχημάτων.
- Πριν ξεκινήσετε την εργασία, προετοιμάστε και καθαρίστε την περιοχή, απομακρύνετε όλες τις πέτρες, τα κλαδιά, τα καλώδια και άλλα ξένα αντικείμενα που προεξέχουν από το έδαφος και πάνω στα οποία υπάρχει κίνδυνος σκοντάμματος.
- Προσέχετε ιδιαίτερα εάν εργάζεστε σε επικλινές έδαφος ή σε πλαγιές.
- Μην χρησιμοποιείτε μια ηλεκτρική συσκευή σε εκρηκτικά περιβάλλοντα που δημιουργούνται από εύφλεκτα υγρά, αέρια ή σκόνη. Η συσκευή μπορεί να παράγει σπινθήρες που μπορούν να αναφλέξουν σκόνη ή αναθυμιάσεις.
- Μην επιτρέπετε σε παιδιά ή παρατηρητές να εισέρχονται σε χώρους όπου χρησιμοποιείται μια ηλεκτροκίνητη συσκευή. Η απόσπαση της προσοχής μπορεί να προκαλέσει απώλεια του ελέγχου της συσκευής.
- Αφήνετε τις ηλεκτρικά τροφοδοτούμενες συσκευές κήπου μακριά από παρευρισκόμενους.
- Ο χειριστής ή ο χρήστης είναι υπεύθυνος για ατυχήματα ή κινδύνους που προκύπτουν για άλλα άτομα ή το περιβάλλον.

Ηλεκτρική ασφάλεια

- Συνδέετε τη συσκευή μόνο σε πρίζα με χαρακτηριστικά που συμφωνούν με τις τιμές στην πινακίδα τύπου.
- Μην εκθέτετε τον ηλεκτροκίνητο εξοπλισμό σε βροχή ή σε υγρές συνθήκες. Εάν εισέλθει νερό στο ηλεκτρικό εργαλείο, αυξάνεται ο κίνδυνος ηλεκτροπληξίας.

Ανθρώπινη ασφάλεια

- Μην χειρίζεστε τον εξοπλισμό εάν ο χρήστης αισθάνεται κουρασμένος ή βρίσκεται υπό την επήρεια αλκοόλ, ναρκωτικών ή φαρμάκων. Απαιτείται πλήρης συγκέντρωση κατά τη χρήση της συσκευής και πρέπει να είστε προσεκτικοί. Μια στιγμή απροσεξίας κατά τη χρήση ηλεκτρικού εργαλείου μπορεί να οδηγήσει σε ατύχημα και κατά συνέπεια σε σοβαρό τραυματισμό ή υλικές ζημιές.
- Είναι απαραίτητο να φοράτε προσωπικό προστατευτικό εξοπλισμό. Φοράτε πάντα γυαλιά ασφαλείας στενής εφαρμογής (σύμφωνα με το πρότυπο EN 166 ή άλλους εθνικούς κανονισμούς). Φοράτε προστατευτικά για τα αυτιά λόγω της θορύβου του εξοπλισμού. Συνιστάται επίσης η χρήση προστατευτικού εξοπλισμού, όπως μάσκα σκόνης, αντιολισθητικά παπούτσια ασφαλείας με επάνω μέρος, προστατευτικά γάντια.
- Να φοράτε ρούχα στενής εφαρμογής. Χαλαρά ρούχα, κοσμήματα, κασκόλ μπορεί να πιαστούν από κινούμενα μέρη του μηχανήματος, γεγονός που μπορεί να οδηγήσει σε επικίνδυνα ατυχήματα. Εάν ο χρήστης έχει μακριά μαλλιά, θα πρέπει να είναι στερεωμένα και δεμένα.
- Κατά τη διάρκεια της λειτουργίας, η συσκευή μπορεί να εκτοξεύσει διάφορα αντικείμενα με μεγάλη ταχύτητα. Υπάρχει κίνδυνος τραυματισμού. Συνιστάται η χρήση κατάλληλου ρουχισμού.
- Πριν από την έναρξη λειτουργίας του ηλεκτρικού εργαλείου, αφαιρέστε όλα τα κλειδιά και άλλα εργαλεία που χρησιμοποιούνται για τη ρύθμιση της συσκευής. Η παραμονή ενός κλειδιού σε ένα περιστρεφόμενο μέρος του ηλεκτρικού εργαλείου μπορεί να προκαλέσει τραυματισμό.
- Αποφύγετε την εργασία σε αφύσικη θέση του σώματος. Λάβετε μια σωστή και σταθερή στάση σώματος για να αποφύγετε την πιθανότητα απώλειας της ισορροπίας. Αυτό

θα επιτρέψει τον καλύτερο έλεγχο του ηλεκτρικού εργαλείου σε απρόβλεπτες καταστάσεις.

- Αποφύγετε την ακούσια εκκίνηση. Βεβαιωθείτε ότι το καλώδιο τροφοδοσίας είναι αποσυνδεδεμένο και ο διακόπτης βρίσκεται στη θέση απενεργοποίησης πριν σηκώσετε ή μεταφέρετε τον εξοπλισμό. Το να μεταφέρετε ηλεκτροκίνητο εξοπλισμό με το δάχτυλό σας στο διακόπτη ή το να συνδεθείτε στο ηλεκτρικό δίκτυο με τον διακόπτη ανοιχτό μπορεί να οδηγήσει σε ατύχημα.
- Κρατήστε τα χέρια και τα πόδια μακριά από τα κινούμενα (περιστρεφόμενα) μέρη του εξοπλισμού.
- Διατηρείτε απόσταση ασφαλείας από τους παρευρισκόμενους.
- Παρά τον εγγενώς ασφαλή σχεδιασμό ο ίδιος ο σχεδιασμός, η χρήση μέτρων ασφαλείας και των πρόσθετων μέτρων προστασίας, υπάρχει πάντα κίνδυνος υπολειπόμενου τραυματισμού κατά τη λειτουργία.
- Μην χρησιμοποιείτε απορρυπαντικά ή οινόπνευμα για τον καθαρισμό του μηχανήματος.
- Το σύστημα προσάρτησης του εργαλείου εργασίας πρέπει να αντιστοιχεί στις διαστάσεις του ηλεκτρικού εργαλείου. Εργαλεία εργασίας με λανθασμένες διαστάσεις δεν μπορούν να προστατευτούν ή να ελεγχθούν επαρκώς.
- Πρέπει να χρησιμοποιούνται μέσα ατομικής προστασίας. Ανάλογα με το είδος της εργασίας, να φοράτε προστατευτική μάσκα που να καλύπτει ολόκληρο το πρόσωπο, προστασία των ματιών, όπως γυαλιά ασφαλείας. Προστατεύστε τα μάτια από τα αερομεταφερόμενα ξένα σώματα που δημιουργούνται κατά την εργασία. Προστατεύστε το αναπνευστικό σύστημα από αερομεταφερόμενη σκόνη και ατμούς με μάσκα σκόνης. Η έκθεση σε θόρυβο για παρατεταμένο χρονικό διάστημα μπορεί να οδηγήσει σε απώλεια ακοής.

- Βεβαιωθείτε ότι οι παρευρισκόμενοι βρίσκονται σε ασφαλή απόσταση από την περιοχή εργασίας του μηχανήματος. Όποιος βρίσκεται κοντά σε ένα ηλεκτρικό εργαλείο που εργάζεται πρέπει να χρησιμοποιεί μέσα ατομικής προστασίας
- Καθαρίζετε τακτικά τις σχισμές εξαερισμού του εξοπλισμού.
- Πριν από κάθε έναρξη λειτουργίας, ελέγξτε ότι: - ο εξοπλισμός έχει συναρμολογηθεί σωστά, σύμφωνα με τις οδηγίες- - το κοπτικό εργαλείο είναι σε καλή κατάσταση λειτουργίας- η στερέωση της λεπίδας, οι ζημιές και η φθορά πρέπει να ελέγχονται τακτικά- - οι διατάξεις ασφαλείας (π.χ. προστατευτικό της μονάδας κοπής, περίβλημα, λαβή, διακόπτης κινητήρα) είναι σε καλή κατάσταση λειτουργίας και λειτουργούν σωστά. Όταν το μηχάνημα απενεργοποιείται, η λεπίδα παραμένει ακόμα σε κίνηση για κάποιο χρονικό διάστημα. Θα πρέπει να επιδεικνύεται προσοχή.

Οδηγίες ασφαλείας για το φορτιστή και τη συστοιχία μπαταριών

- Για να συνδέσετε την μπαταρία για φόρτιση, τοποθετήστε την μπαταρία στο φορτιστή και, στη συνέχεια, συνδέστε το φορτιστή σε μια πηγή ρεύματος.
- Προστατεύστε το φορτιστή από τη βροχή και την υγρασία. Ο φορτιστής επιτρέπεται να χρησιμοποιείται μόνο σε εσωτερικούς χώρους.
- Διατηρείτε το φορτιστή καθαρό.
- Μη χρησιμοποιείτε το φορτιστή πάνω σε εύφλεκτα αντικείμενα και υποστρώματα (π.χ. χαρτί) ή σε περιβάλλοντα με εκρηκτική ή/και εύφλεκτη ατμόσφαιρα.
- Να φροντίζετε πάντα για επαρκή εξαερισμό κατά τη φόρτιση, καθώς ενδέχεται να διαρρεύσουν αναθυμιάσεις ή ηλεκτρολύτης από την μπαταρία, εάν η μπαταρία έχει

- υποστεί ζημιά λόγω ακατάλληλου χειρισμού/καταστροφής.
- Αποσυνδέστε το φορτιστή από την πρίζα όταν ολοκληρωθεί η φόρτιση. Μην τον αφήνετε συνδεδεμένο σε πηγή ρεύματος για περισσότερο χρόνο από ό,τι είναι απαραίτητο.
 - Φυλάσσετε και φορτίζετε την μπαταρία σε στεγνό μέρος και βεβαιωθείτε ότι δεν εισέρχεται νερό σε αυτήν.
 - Διατηρείτε τους συνδέσμους της μπαταρίας καθαρούς και απαλλαγμένους από ακαθαρσίες.
 - Προστατεύετε την μπαταρία από χτυπήματα, υγρασία και μην ανοίγετε ποτέ την μπαταρία και μην την καταστρέφετε μηχανικά.
 - Για να ελέγξετε τη στάθμη φόρτισης της μπαταρίας, πατήστε το κουμπί στη μπαταρία και, εάν είναι απαραίτητο, φορτίστε τη μπαταρία ανάλογα με τον αριθμό των λυχνιών LED και τον αναμενόμενο χρόνο λειτουργίας του ασύρματου εργαλείου.

Γενικές πληροφορίες

- Πριν από την αφαίρεση του καλαθιού, είναι απαραίτητο να απενεργοποιήσετε τον κινητήρα για να αποφύγετε πιθανούς κινδύνους. Τηρείτε πάντα την απόσταση ασφαλείας μεταξύ του περιβλήματος της λεπίδας και του χρήστη, η οποία εξασφαλίζεται με κατάλληλες χειρολαβές. Συνιστάται να είστε ιδιαίτερα προσεκτικοί κατά το κούρεμα, ιδίως σε πλαγιές, και κατά την αλλαγή κατεύθυνσης. Για το σκοπό αυτό, συνιστάται να φοράτε υποδήματα με αντιολισθητική σόλα και μακριά παντελόνια για να ελαχιστοποιήσετε τον κίνδυνο τραυματισμού.
- Κατά την αφαίρεση του καλαθιού και την αλλαγή κατεύθυνσης σε πλαγιές, διατηρήστε σταθερή θέση. Οδηγείτε πάντα το χλοοκοπτικό κατά μήκος της πλαγιάς και αποφεύγετε το κούρεμα σε κλίσεις άνω των 15° για λόγους ασφαλείας. Είναι επίσης σημαντικό να είστε προσεκτικοί όταν κάνετε όπισθεν και τραβάτε το χλοοκοπτικό για να

αποφύγετε το σκόνταμα.

- Όταν το χλοοκοπτικό αφαιρείται, το προστατευτικό προφυλακτήρα πρέπει να κλείνει το πίσω άνοιγμα απόρριψης για να αποτρέψει την τυχαία πρόσβαση στη λεπίδα. Εάν το χόρτο παραμένει στο άνοιγμα, συνιστάται να μετακινήσετε το χλοοκοπτικό σε κάποια απόσταση, το χόρτο θα πρέπει να πέφτει πιο ελεύθερα. Αυτό θα διευκολύνει την επανεκκίνηση του κινητήρα. Μην απομακρύνετε τα υπολείμματα από το περίβλημα του χλοοκοπτικού και τη λεπίδα με το χέρι ή το πόδι, αλλά χρησιμοποιήστε κατάλληλα εργαλεία, όπως μια βούρτσα χειρός.
- Κατά την τοποθέτηση του καλάθιού συλλογής, βεβαιωθείτε ότι ο κινητήρας είναι σβηστός και το κοπτικό εργαλείο ακίνητο. Σηκώστε το προστατευτικό προφυλακτήρα με το ένα χέρι και κρατήστε το καλάθι από τη λαβή με το άλλο χέρι, αναρτώντας το από πάνω. Για να διασφαλίσετε την αποτελεσματική συλλογή χόρτων, συνιστάται να καθαρίζετε τακτικά το καλάθι, δίνοντας ιδιαίτερη προσοχή στις σχάρες. Τα μέτρα αυτά θα συμβάλουν στη διατήρηση της ασφάλειας και της αποτελεσματικότητας του χλοοκοπτικού μηχανήματος.



Αν πάνω στη συσκευή βρίσκεται το σύμβολο του διαγραμμένου κάδου αυτό σημαίνει ότι το προϊόν καλύπτεται με τους κανονισμούς της ευρωπαϊκής οδηγίας 2012/19/EU. Πρέπει να εξοικειωθείτε με τις σχετικές απαιτήσεις του τοπικού συστήματος συγκέντρωσης απορριπτόμενου εξοπλισμού και υπολειμμάτων υλικού διάλυσης. Πρέπει να ακολουθήσετε τους τοπικούς κανονισμούς. Μην απορρίψετε το προϊόν μαζί με κανονικά οικιακά απορρίμματα. Η κατάλληλη απόρριψη παλιού προϊόντος προστατεύει από τα αρνητικά αποτελέσματα για το φυσικό περιβάλλον και την ανθρώπινη υγεία.



Το προϊόν κατασκευάστηκε από υλικά υψηλής ποιότητας και από συστήματα τα οποία μπορούν να ανακυκλωθούν και να χρησιμοποιηθούν ξανά.

Περιγραφή της συσκευής (A)

- | | |
|---|------------------------------------|
| 1 Πάνω χειρολαβή | 13 Δοχείο χόρτου |
| 2 Πιεστικοί μοχλοί για την ασφάλιση του επάνω τμήματος του χλοοκοπτικού μηχανήματος | 13α Πλαστικές γλωττίδες |
| 3 Κάτω λαβή | 13β Ράβδοι δοχείου χόρτου |
| 4 Πίσω πτερόγιο | 13γ Λαβή συλλογής χόρτων |
| 5 Μοχλοί πίεσης για τη στερέωση του κάτω τμήματος του χλοοκοπτικού μηχανήματος | 14 Υποδοχή καλωδίου |
| 6 Χειρολαβή μεταφοράς | 15 Καλώδιο |
| 7 Μοχλός ρύθμισης του ύψους κοπής | 16 Κουμπί απελευθέρωσης |
| 8 Κάλυμμα μπαταρίας | 17 Λαβή εκκίνησης |
| 9 Μπαταρίες (δεν παρέχονται) | 18 Σετ εκτίναξης χόρτου |
| 9α Κουμπί απελευθέρωσης στην μπαταρία | 18α Βραχίονας στο σετ κοπής γκαζόν |
| 10 Κλειδί ανάφλεξης | 19 Δίδυμος φορτιστής |
| 11 Τροχοί | 20 Λεπίδα |
| 12 Περίβλημα μηχανής | 21 Μπουλόνι λεπίδας |
| | 22 Άξονας κινητήρα |

Ενεργοποίηση και απενεργοποίηση (G):

Μην θέτετε σε λειτουργία τη μονάδα με ελλιπή ή λανθασμένη συναρμολόγηση. Πριν από την εκκίνηση, ελέγξτε ότι όλα τα εξαρτήματα ασφαλείας βρίσκονται σε καλή κατάσταση.

- 1 Τοποθετήστε τη μονάδα σε μια επίπεδη επιφάνεια.
 - 2 Ανασηκώστε το κάλυμμα (8) του περιβλήματος της συσκευής και τοποθετήστε τις φορτισμένες μπαταρίες (9).
 - 3 Τοποθετήστε το κλειδί ανάφλεξης (10) στην κατάλληλη οπή δίπλα στην μπαταρία (9). (Το κλειδί ανάφλεξης μπορεί να εισαχθεί μόνο σε μία θέση).
 - 4 Βεβαιωθείτε ότι η λεπίδα δεν ακουμπάει σε κανένα αντικείμενο πριν ενεργοποιήσετε τη συσκευή.
 - 5 Για να ενεργοποιήσετε τη μονάδα, πατήστε το κουμπί απασφάλισης (16) και κρατήστε το πατημένο και, στη συνέχεια, πατήστε το μοχλό εκκίνησης (17). Στη συνέχεια, αφήστε το κουμπί απελευθέρωσης της ασφάλισης (16).
 - 6 Για να απενεργοποιήσετε τη μονάδα, αφήστε τον μοχλό εκκίνησης (17).
- Μετά την απενεργοποίηση της συσκευής, η λεπίδα συνεχίζει να περιστρέφεται για μερικά δευτερόλεπτα. Μην αγγίζετε την κινούμενη λεπίδα.
- Για να αφαιρέσετε το πακέτο μπαταριών (9) από τη συσκευή, πατήστε το κουμπί απελευθέρωσης (9α) στο πακέτο μπαταριών και τραβήξτε το πακέτο μπαταριών προς τα έξω.
- Για να τοποθετήσετε το πακέτο μπαταριών (9), σπρώξτε το κατά μήκος του οδηγού.

Αφαίρεση του δοχείου χόρτου (E)

1. Για να τοποθετήσετε το δοχείο χόρτου (13), ανασηκώστε την πίσω πόρτα (4) και κρεμάστε το δοχείο χόρτου (13) στις δύο λαβές.
2. Διπλώστε την πίσω πόρτα (4) πάνω από το δοχείο χόρτου (13).
3. Για να αφαιρέσετε το δοχείο χόρτου (13), ανασηκώστε το κάλυμμα (4) και αφαιρέστε το δοχείο χόρτου (13).
4. Διπλώστε το πίσω κάλυμμα (4) πίσω πάνω στο περίβλημα του μηχανήματος (12).

Ρύθμιση του ύψους (F):

1. Πιάστε το μοχλό (7) της ρύθμισης ύψους κοπής και σύρετε τον πέρα από το μηχανισμό καστανίας στο επιθυμητό ύψος κοπής.

Το μηχάνημα διαθέτει 6 θέσεις για τη ρύθμιση του ύψους κοπής (F):

- 25 mm/35 mm - χαμηλό ύψος κοπής
- 45 mm/55 mm - μεσαίο ύψος κοπής

65 mm/75 mm - μεγάλο ύψος κοπής

Το σωστό ύψος κοπής είναι μεταξύ 25 και 45 mm για ένα διακοσμητικό γκαζόν και περίπου 45-65 mm για ένα χλοοτάπητα γενικής χρήσης.

Αποθήκευση (Κ)

- Απελευθερώστε το μοχλό πίεσης (2+5) και διπλώστε την επάνω ράβδο (1) και την κάτω ράβδο (3) μαζί για να η μονάδα να καταλαμβάνει λιγότερο χώρο. Όταν το κάνετε αυτό, προσέξτε να μην τσιμπήσετε τα καλώδια της μονάδας.
- Αποθηκεύστε τη συσκευή σε στεγνό μέρος μακριά από παιδιά.
- Πριν αποθηκεύσετε τη συσκευή σε κλειστό χώρο, αφήστε τον κινητήρα να να κρυώσει.

ΣΥΝΑΡΜΟΛΟΓΗΣΗ

Συναρμολόγηση της κάτω ράβδου (B)

1. Διπλώστε το κάτω εξάρτημα (3) προς τα πάνω.
2. Γυρίστε τους κάτω μοχλούς (5) δεξιόστροφα για να τους στερεώσετε.
3. Ασφαλίστε τους μοχλούς σύσφιξης (5), σπρώξτε τους προς την κάτω ράβδο (3). Τραβήξτε σταθερά τους μοχλούς σύσφιξης και, στη συνέχεια, ευθυγραμμίστε τους με τη ράβδο, έτσι ώστε το σφίξιμο να μπορεί να πραγματοποιηθεί με μέτρια δύναμη. Εάν αυτό δεν επιτευχθεί, συνεχίστε να στρέψετε τον μοχλό σύσφιξης δεξιόστροφα ή πρέπει να τον χαλαρώσετε στρέφοντάς τον αριστερόστροφα.

Τοποθέτηση της άνω ράβδου (C)

- Τοποθετήστε την επάνω ράβδο (1) χρησιμοποιώντας τις βίδες (2b), τις ροδέλες (2a) και τους άνω μοχλούς (2) δεξιά και αριστερά της κάτω ράβδου (3). Το κουμπί απελευθέρωσης (16) πρέπει να βρίσκεται στη δεξιά πλευρά προς την κατεύθυνση του κουρέματος. Δύο θέσεις είναι δυνατές.
2. Γυρίστε το μοχλό σύσφιξης (2) δεξιόστροφα.
 3. Ασφαλίστε τους μοχλούς σύσφιξης (2) πιέζοντας τους προς την κατεύθυνση της ράβδου (3). Οι μοχλοί σύσφιξης πρέπει να ακουμπούν στη ράβδο με τέτοιο τρόπο ώστε να είναι δυνατή η σύσφιξη με μέτρια δύναμη. Εάν αυτό δεν επιτευχθεί, συνεχίστε να περιστρέψετε τους μοχλούς σύσφιξης δεξιόστροφα ή χαλαρώστε τους περιστρέφοντας αριστερόστροφα.

Συναρμολόγηση του δοχείου χόρτου (E)

1. Κουμπώστε τη λαβή (13c) του δοχείου χόρτου (13) στο επάνω μέρος του δοχείου χόρτου (13).
2. Τοποθετήστε τις πλαστικές γλωττίδες (13a) του δοχείου χόρτου (13) στις ράβδους του δοχείου χόρτου (13b).

Κιτ εκτίναξης χόρτου (J)

Στερέωση του κιτ εκτίναξης χόρτου

1. Αφαιρέστε το δοχείο χόρτου.
2. Ανασηκώστε το πίσω περύγιο
3. Σύρετε το κιτ εκτίναξης χόρτου (18) στη θέση του. Το στήριγμα (18a) θα ασφαλίσει στη θέση του.

Αφαίρεση του κιτ εκτίναξης χόρτου (J)

4. Τραβήξτε προς τα έξω το στήριγμα (18a) και αφαιρέστε το κιτ εκτίναξης χόρτου (18).

Καθαρισμός και συντήρηση:

Αφαιρέστε την μπαταρία από τη μονάδα πριν από τη συντήρηση και την αποθήκευση! Η επαφή των μερών του σώματος με το κινούμενο στοιχείο κοπής μπορεί να προκαλέσει τραυματισμό, αναπηρία ή θάνατο!

Να θυμάστε ότι το στοιχείο κοπής συνεχίζει να κινείται για λίγο μετά την απενεργοποίηση του κινητήρα.

- Η καθαριότητα και η τακτική συντήρηση είναι απαραίτητες για την καλή λειτουργία του μηχανήματος. Συνιστούμε να καθαρίζετε καλά το χλοοκοπτικό μετά από κάθε χρήση, χρησιμοποιώντας μια βούρτσα, ένα πανί ή πεπιεσμένο αέρα. Είναι σημαντικό να αποφεύγεται η χρήση καθαριστικών ή διαλυτών και να διασφαλίζεται ότι δεν θα εισέλθει νερό στη μονάδα.
- Πριν από κάθε χρήση, καλό είναι να επιθεωρείτε προσεκτικά τη χλοοκοπτική μηχανή για ορατά ελαττώματα, όπως χαλαρά ή κατεστραμμένα εξαρτήματα. Ο τακτικός έλεγχος της στεγανότητας όλων των μπουλονιών και βιδών είναι καθοριστικής σημασίας, καθώς τα φθαρμένα ή ελλιπώς σφιγμένα εξαρτήματα μπορεί να οδηγήσουν σε επικίνδυνες ζημιές στον κινητήρα ή το πλαίσιο.
- Παρακολουθείτε τακτικά την κατάσταση του περιβλήματος, των εξαρτημάτων ασφαλείας και του καλαθιού συλλογής για τυχόν ζημιές και ελέγχετε τη σταθερότητα της στερέωσής τους. Εάν παρατηρήσετε ανωμαλίες, συνιστάται η άμεση επισκευή τους ή η αντικατάστασή τους με καινούργια.
- Μετά το κούρεμα, περιμένετε να κρυώσει ο κινητήρας πριν αποθηκεύσετε το χλοοκοπτικό. Εάν η λεπίδα χτυπήσει δυνατά σε ξένο αντικείμενο, σταματήστε αμέσως το χλοοκοπτικό και συμβουλευτείτε έναν τεχνικό σέρβις.
- Επιθεωρήστε προσεκτικά το χλοοκοπτικό μετά από κάθε κούρεμα και αφαιρέστε τυχόν φυτικά υπολείμματα από τους τροχούς, τις οπές και κάτω από το περίβλημα (διαμέρισμα λεπίδας). Χρησιμοποιήστε ένα λεπτό εργαλείο, όπως ένα κομμάτι ξύλο ή πλαστικό, για να το κάνετε αυτό, αποφεύγοντας σκληρά εργαλεία που μπορεί να προκαλέσουν ζημιά στο μηχανήμα.
- Για να ελαχιστοποιήσετε τον κίνδυνο πυρκαγιάς, καθαρίζετε τακτικά το χώρο του κινητήρα από φυτικά υπολείμματα. Θα πρέπει να απομακρύνονται τυχόν πράσινα υπολείμματα γύρω από τον κινητήρα και συνιστάται να πραγματοποιείται αυτή η εργασία τουλάχιστον μετά τη λήξη της περιόδου κοπής. Με εντατική χρήση, συνιστάται να επαναλάβετε τον καθαρισμό 1-2 φορές κατά τη διάρκεια της σεζόν, διασφαλίζοντας ότι η λεπίδα είναι πάντα κοφτερή και καλά ισορροπημένη για να εγγυάται βέλτιστη κοπή.

Τεχνικά στοιχεία:

Τάση μπαταριών 2 x 18V, συμβατή με OneDna 18V, Blaupunkt BP1840, BP1850

Ταχύτητα χωρίς φορτίο n=2900 λεπτά¹

Πλάτος κοπής: 430 mm

Ύψος κοπής: 25/35/45/60/75 mm

Χωρητικότητα χόανης για κομμένα χόρτα: 30l

Βάρος χωρίς μπαταρία/φορτιστή 10,6 kg

Βαθμός προστασίας IP40

(LpA): 76.2 dB (A) · K= 3dB(A)

Μετρημένη στάθμη ηχητικής ισχύος (LpA): 87 dB (A) · K= 2.33 dB(A)

Εγγυημένη στάθμη ηχητικής ισχύος (LpA): 96 dB (A) ·

ВАЖНА ИНФОРМАЦИЯ

За да постигнете максимална удовлетвореност, да се насладите на работата на продукта и да се запознаете с всички негови характеристики и функции, моля, прочетете това ръководство, преди да използвате този продукт. Преди да използвате устройството, прочетете ръководството и следвайте инструкциите, съдържащи се в него.

Производителят не носи отговорност за щети, причинени от използването на устройството не по предназначение или от неправилно боравене с него. Запазете инструкциите за работа, за да могат да бъдат използвани и при по-късна употреба на продукта.

- Не потапяйте уреда във вода или каквато и да е друга течност.
- Уредът трябва да се почиства редовно, както е описано в раздела "Почистване и поддръжка на уреда".
- Не поставяйте уреда в близост до източници на топлина, пламъци, електрически елемент Не го поставяйте върху друг уред.
- Бъдете особено внимателни, когато използвате уреда, когато наоколо има деца или домашни любимци.
- Не позволявайте на деца да си играят с уреда.
- Не излагайте уреда на атмосферни влияния (дъжд, слънце и др.) и не го използвайте при влажни условия.
- Използвайте само оригинални аксесоари и резервни части за уреда или такива, препоръчани от производителя. Използването на аксесоари или резервни части, които не са препоръчани от производителя, може да повреди уреда и да застраши безопасността на използването му.
- Поддържайте работното си място подредено и добре осветено.
- Безпорядъкът и недостатъчното осветление водят до злополуки.

- Момент на невнимание крие риск от загуба на контрол върху инструмента.
- Не се накланяйте прекалено много с електроинструмента. Поддържайте стабилна стойка и равновесие. Това ще ви помогне да запазите по-добър контрол върху електроинструмента в непредвидени ситуации.
- Избягвайте неволно стартиране на електроинструмента. Преди да свържете електроинструмента към електрическата мрежа, проверете дали превключвателят на захранването е в положение OFF (изключено). Носенето на електроинструмента с пръст върху спусъка или свързването на електроинструмента към електрическата мрежа, след като вече е бил включен, може да доведе до злополуки.
- Носете подходящо облекло. Не работете със свободни дрехи и не носете бижута по време на работа. Дръжте косата, дрехите и ръкавиците далеч от движещите се части. Движещите се части на електроинструмента могат да се захванат и да издърпат свободно облекло, бижута или дълга коса.
- Извадете всички гаечни ключове или инструменти от електроинструмента, преди да го стартирате. Инструмент или гаечен ключ, който все още е свързан с въртящата се част на електроинструмента, може да причини нараняване.
- Внимавайте при работа с електроинструменти, концентрирайте се върху работата си и използвайте здрав разум. Не използвайте електроинструмента, когато сте уморени или под въздействието на наркотици, алкохол или лекарства. Дори миг невнимание при работа с електроинструмент крие риск от сериозен инцидент.
- Пазете децата далеч от работната зона и НЕ позволявайте на децата да дърпат захранващия кабел, това може да

доведе до сериозни наранявания.

- Преди да извършвате каквито и да било настройки, да сменяте аксесоари или да прибирате електроинструмента за съхранение, завъртете превключвателя в изключено положение, за да изключите електроинструмента от захранването. Тези предпазни мерки намаляват риска от случайно стартиране на електроинструмента.
- Използвайте инструмента само в суха и добре осветена среда.
- Този инструмент не трябва да се използва от лица под 16-годишна възраст.

	Прочетете ръководството за потребителя.		Използвайте защита за ушите
	Общо предупреждение		Носете защитни ръкавици
	Пожарна опасност		Носете защитно облекло
	Опасност от токов удар		Носете гозащитна маска
	Носете предпазни очила		Използвайте респираторна защита

1 Предупреждение за опасност. Използвайте изключително предпазливост.

2. Важно, прочетете инструкциите и спазвайте предупрежденията.

3 Носете предпазни очила.

4. Използвайте защитни наушници.

5. Винаги изключвайте от електрическото захранване, преди да ремонтирате или поддръжка. В случай на повреда на кабела, незабавно

изключете този апарат от електрическата мрежа.

б. Не използвайте апарата при дъжд или в условия на висока влажност.

Безопасност на работното място :

- Уредът е предназначен за косене на трева. Не използвайте уреда за други дейности.
- Поддържайте работната зона чиста и добре осветена. Безпорядъкът и лошото осветление допринасят за злополуки.
- Преди да започнете работа, подгответе и разчистете района, отстранете всички камъни, клони, жици и други чужди предмети, които стърчат от земята и по които има опасност да се спънете.
- Бъдете особено внимателни, ако работите върху наклонени терени или склонове.
- Не използвайте електрически задвижван уред във взривоопасна среда, създадена от запалими течности, газове или прах. Уредът може да произведе искри, които да възпламенят праха или изпаренията.
- Не допускайте деца или наблюдатели в зони, в които се използва уред с електрическо захранване. Отвлечането на вниманието може да доведе до загуба на контрол върху уреда.
- Оставайте електрически задвижваните градински уреди далеч от странични лица.
- Операторът или потребителят носи отговорност за злополуки или опасности, възникнали за други лица или околната среда.

Електрическа безопасност

- Свързвайте уреда само към електрически контакт с характеристики, съответстващи на стойностите, посочени на табелката.

- Не излагайте оборудването с електрическо захранване на дъжд или влажни условия. Ако в електроинструмента попадне вода, рискът от токов удар се увеличава.

Човешка безопасност

- Не работете с уреда, ако потребителят се чувства уморен или е под въздействието на алкохол, наркотици или лекарства. При работа с устройството е необходима пълна концентрация и трябва да се внимава. Момент на невнимание по време на работа с електроинструмента може да доведе до злополука и последващи сериозни наранявания или материални щети.
- От съществено значение е да се носят лични предпазни средства. Винаги носете плътно прилепнали предпазни очила (съгласно EN 166 или други национални разпоредби). Носете предпазни средства за защита на ушите поради високата сила на звука на оборудването. Препоръчва се също така използването на защитни средства като маска против прах, нехлъзгащи се предпазни обувки с горна част, защитни ръкавици.
- Носете плътно прилепващо облекло. Свободните дрехи, бижутата, шаловете могат да бъдат захванати от движещите се части на машината, което може да доведе до опасни инциденти. Ако потребителят има дълга коса, тя трябва да бъде обезопасена и закрепена.
- По време на работа уредът може да изхвърли различни предмети с висока скорост. Съществува опасност от нараняване. Препоръчва се използването на подходящо облекло.
- Преди да стартирате електроинструмента, извадете всички гаечни ключове и други инструменти, използвани за регулиране на уреда. Оставянето на гаечен ключ във въртяща се част на електроинструмента може да доведе до нараняване.

- Избягвайте да работите в неестествено положение на тялото. Заемете правилна и стабилна поза, за да избегнете възможността за загуба на равновесие. Това ще позволи по-добър контрол на електроинструмента в непредвидими ситуации.
- Избягвайте непреднамерено стартиране. Уверете се, че охранващият кабел е изваден от контакта и превключвателят е в изключено положение, преди да вдигнете или пренесете оборудването. Пренасянето на оборудване с електрическо охранване с пръст върху превключвателя или свързването към електрическата мрежа при включен превключвател може да доведе до злополука.
- Дръжте ръцете и краката си далеч от движещите се (въртящи се) части на оборудването.
- Спазвайте безопасно разстояние от странични лица. Въпреки по своята същност безопасната конструкция самата конструкция, използването на мерки за безопасност и допълнителни мерки за защита, винаги съществува риск от остатъчни наранявания по време на работа.
- Не използвайте почистващи препарати или алкохол за почистване на машината.
- Системата за закрепване на работния инструмент трябва да съответства на размерите на електроинструмента. Работни инструменти с неправилни размери не могат да бъдат достатъчно добре защитени или контролирани.
- Трябва да се използват лични предпазни средства. В зависимост от вида на работата носете защитна маска, покриваща цялото лице, предпазни средства за очите, например предпазни очила. Предпазвайте очите от въздушни чужди тела, образувани по време на работа. Предпазвайте дихателните пътища от пренасяните във въздуха прах и пари с противопрахова маска. Излагането

на шум за продължителен период от време може да доведе до загуба на слуха.

- Уверете се, че страничните лица се намират на безопасно разстояние от работната зона на машината. Всеки, който се намира в близост до работещ електроинструмент, трябва да използва лични предпазни средства
- Почиствайте редовно вентилационните отвори на оборудването.
- Преди всяко пускане в експлоатация проверявайте дали:
 - оборудването е сглобено правилно, в съответствие с инструкциите;
 - режещият инструмент е в добро работно състояние; закрепването на ножа, повредите и износването трябва да се проверяват редовно;
 - предпазните устройства (напр. предпазител на режещия агрегат, корпус, ръкохватка, превключвател на двигателя) са в добро работно състояние и функционират правилно. Когато машината е изключена, острието все още остава в движение за известно време. Трябва да се проявява повишено внимание.

Инструкции за безопасност за зарядното устройство и акумулаторната батерия

- За да свържете акумулаторната батерия за зареждане, поставете батерията в зарядното устройство и след това свържете зарядното устройство към източник на хранване.
- Защитете зарядното устройство от дъжд и влага. Зарядното устройство може да се използва само на закрито.
- Поддържайте зарядното устройство чисто.
- Не използвайте зарядното устройство върху запалими предмети и основи (напр. хартия) или в среда с експлозивна и/или запалима атмосфера.
- Винаги осигурявайте подходяща вентилация при

зареждане, тъй като от батерията могат да изтекат изпарения или електролит, ако батерията е повредена поради неправилно боравене/повреда.

- След приключване на зареждането изключете зарядното устройство от електрическата мрежа. Не го оставяйте свързано към източник на захранване за по-дълго време от необходимото.
- Съхранявайте и зареждайте батерията на сухо място и се уверете, че в нея не попада вода.
- Поддържайте конекторите на батерията чисти и без замърсявания.
- Предпазвайте батерията от удари, влага и никога не отваряйте и не повреждайте механично батерията.
- За да проверите нивото на заряд на акумулаторната батерия, натиснете бутона на акумулаторната батерия и при необходимост заредете акумулаторната батерия в съответствие с броя на светодиодите и очакваното време на работа на акумулаторния инструмент.

Обща информация

- Преди да свалите кошницата, е необходимо да изключите двигателя, за да избегнете потенциални опасности. Винаги спазвайте безопасното разстояние между корпуса на ножа и потребителя, което се осигурява от подходящи дръжки. Препоръчително е да бъдете особено внимателни при косене, особено по склонове, и при смяна на посоката на движение. За тази цел е препоръчително да носите обувки с нехлъзгаща се подметка и дълги панталони, за да намалите до минимум риска от нараняване.
- При изваждане на коша и смяна на посоката на движение по склонове поддържайте стабилна позиция. Винаги движете косачката напречно на склона и избягвайте косене на склонове с наклон над 15° от съображения за

безопасност. Също така е важно да бъдете внимателни при движението на заден ход и при тегленето на косачката, за да избегнете спъване.

- Когато косачката се отстранява, предпазителят на бронята трябва да затваря отвора за задното изхвърляне, за да се предотврати случаен достъп до ножа. Ако в отвора остане трева, препоръчително е да преместите косачката на известно разстояние, тревата трябва да изпадне по-свободно. Това ще улесни повторното стартиране на двигателя. Не отстранявайте замърсяванията от корпуса на косачката и ножа с ръка или крак, а използвайте подходящи инструменти, например ръчна четка.
- Когато поставяте кош за събиране на отпадъци, се уверете, че двигателят е изключен и режещият инструмент е неподвижен. Повдигнете предпазителя на бронята с една ръка, а с другата дръжте кошницата за дръжката, като я окачите отгоре. За да осигурите ефективно събиране на тревата, е препоръчително редовно да почиствате коша, като обръщате особено внимание на решетките. Тези мерки ще допринесат за поддържане на безопасността и ефективността на косачката.



Ако продуктът е означен със символ на зачеркната кофа за боклук, това означава, че продуктът е в съответствие с Европейската директива 2012/19/EU. Трябва да се запознаете с изискванията относно местното разделно събиране на излязлото от употреба електронно и електрическо оборудване. Да се следват действащите местни разпоредби. Този продукт не бива да се изхвърля заедно с битовите отпадъци. Правилното утилизиране на излезлия от употреба продукт ще предотврати потенциалните негативни ефекти върху природната среда и човешкото здраве.



Уредът е произведен от висококачествени материали и подвъзли, които подлежат на рециклиране и повторно използване.

Описание на уреда (A)

- | | |
|--|-------------------------------------|
| 1 Горна дръжка | 13 Контейнер за трева |
| 2 Натискащи лостове за закрепване на горната част на косачката | 13a Пластмасови разделители |
| 3 Долна дръжка | 13b Решетки на контейнера за трева |
| 4 Заден капак | 13c Дръжка на контейнера за трева |
| 5 Натискащи лостове за закрепване на долната част на косачката | 14 Държач за кабели |
| 6 Дръжка за пренасяне | 15 Кабел |
| 7 Лост за регулиране на височината на косене | 16 Бутон за освобождаване |
| 8 Капак на акумулатора | 17 Дръжка на стартера |
| 9 Батерии (не са в комплекта) | 18 Комплект за изхвърляне на трева |
| 9a Бутон за освобождаване на батерията | 18a Скоба на комплекта за мулчиране |
| 10 Ключ за запалване | 19 Двойно зарядно устройство |
| 11 Колела | 20 Острие |
| 12 Корпус на машината | 21 Болт за острието |
| | 22 Шпиндел на двигателя |

Включване и изключване (G):

Не стартирайте непълно или неправилно сглобения уред. Преди да стартирате, проверете дали всички компоненти за безопасност са в добро състояние.

- 1 Поставете уреда върху равна повърхност.
 2. вдигнете капака (8) на корпуса на уреда и поставете заредените батерии (9).
 3. поставете ключа за запалване (10) в съответния отвор до батерията (9). (Ключът за запалване може да бъде поставен само в едно положение).
 4. уверете се, че острието не докосва никакви предмети, преди да включите уреда.
 5. за да включите уреда, натиснете бутона за освобождаване на блокировката (16) и го задръжте натиснат, след което натиснете стартовия лост (17). След това освободете бутона за освобождаване на заключването (16).
 6. За да изключите уреда, отпуснете стартовия лост (17). След като уредът е изключен, острието продължава да се върти в продължение на няколко секунди. Не докосвайте движещото се острие.
- За да извадите акумулаторната батерия (9) от уреда, натиснете бутона за освобождаване (9a) на акумулаторната батерия и издърпайте батерията.
- За да поставите батерийния пакет (9), го натиснете по протежение на водача.

Изваждане на контейнера за трева (E)

1. За да монтирате контейнера за трева (13), повдигнете задната врата (4) и закачете контейнера за трева (13) на двете дръжки.
2. Сгънете задната врата (4) върху контейнера за трева (13).
3. За да демонтирате контейнера за трева (13), повдигнете капака (4) и извадете контейнера за трева (13).
4. Сгънете задния капак (4) обратно върху корпуса на машината (12).

Регулиране на височината (F):

1. Хванете лоста (7) за регулиране на височината на косене и го плъзнете покрай храповия механизъм до желаната височина на косене.

Машината има 6 позиции за регулиране на височината на рязане (F):

- 25 мм/35 мм - ниска височина на рязане
- 45 мм/55 мм - средна височина на рязане
- 65 мм/75 мм - висока височина на рязане

Правилната височина на рязане е между 25 и 45 мм за декоративна морава и приблизително 45-65 мм за полезна морава.

Съхранение (К)

- Освободете лоста за натиск (2+5) и сгънете горния прът (1) и долния прът (3) заедно, за да устройството да заема по-малко място. Когато правите това, внимавайте да не притиснете кабелите на уреда.
- Съхранявайте уреда на сухо място, недостъпно за деца.
- Преди да съхранявате уреда в затворено пространство, оставете двигателя да се охлади.

МОНТИРАНЕ

Сглобяване на долния прът (В)

1. Сгънете долната приставка (3) нагоре.
2. Завъртете долните лостове (5) по посока на часовниковата стрелка, за да ги фиксирате.
3. Застопорете фиксиращите лостове (5), избутайте ги към долната приставка (3). Издърпайте здраво затягащите лостове и след това ги подравнете към пръта, така че затягането да може да се извърши със средна сила. Ако това не успее, продължете да въртите затягащия лост по посока на часовниковата стрелка или трябва да го разхлаете, като го завъртите в посока, обратна на часовниковата стрелка.

Монтиране на горния прът (С)

- Монтирайте горния прът (1), като използвате винтовете (26), шайбите (2а) и горните лостове (2) отдясно и отляво на долния прът (3). Бутонът за освобождаване (16) трябва да е от дясната страна по посока на косенето. Възможни са две положения.
2. Завъртете притискащия лост (2) по посока на часовниковата стрелка.
 3. Заклучете затягащите лостове (2), като ги натиснете по посока на шината (3). Затягащите лостове трябва да опират в пръта по такъв начин, че да е възможно затягане със средна сила. Ако това не се получи, продължете да въртите затягащите лостове по посока на часовниковата стрелка или ги разхлаете, като ги завъртите обратно на часовниковата стрелка.

Сглобяване на контейнера за трева (Е)

1. Захванете дръжката (13в) на контейнера за трева (13) в горната част на контейнера за трева (13).
2. Поставете пластмасовите планки (13а) на контейнера за трева (13) върху решетките на контейнера за трева (13б).

Комплект за изхвърляне на трева (J)

Закрепване на комплекта за изхвърляне на трева

1. Извадете контейнера за трева.
2. вдигнете задния капак
3. Плъзнете комплекта за изхвърляне на трева (18) на мястото му. Скобата (18а) ще се захване на мястото си.

Изваждане на комплекта за изхвърляне на трева (J)

- 4 Издърпайте скобата (18а) и извадете комплекта за изхвърляне на трева (18).

Почистване и поддръжка:

Преди обслужване и съхранение извадете батерията от уреда! Контактът на части от тялото с движещия се режещ елемент може да доведе до нараняване, инвалидност или смърт! Не забравяйте, че режещият елемент продължава да се движи известно време след изключване на двигателя.

- Чистотата и редовната поддръжка са от съществено значение за правилното функциониране на машината. Препоръчваме ви да почиствате внимателно косачката след всяка употреба, като използвате четка, кърпа или сгъстен въздух. Важно е да се избягва използването на почистващи препарати или разтворители и да се гарантира, че в уреда няма да попадне вода.
- Преди всяка употреба е добре внимателно да прегледате косачката за видими дефекти, като например разхлабени или повредени компоненти. Редовното проверяване на затегнатостта на всички болтове и винтове е от ключово значение, тъй като износените или недостатъчно затегнати компоненти могат да доведат до опасни повреди на двигателя или рамата.
- Редовно следете състоянието на корпуса, предпазните компоненти и събирателния кош за евентуални повреди и проверявайте стабилността на закрепването им. Ако забележите някакви аномалии, се препоръчва те да бъдат ремонтирани незабавно или заменени с нови.
- След косене изчакайте двигателят да изстине, преди да приберете косачката на склад. Ако ножът се удари силно в чужд предмет, незабавно спрете косачката и се консултирайте със сервизен техник.
- Внимателно преглеждайте косачката след всяко косене и отстранете всички растителни остатъци от колелата, отворите и от под корпуса (отделението за ножа). Използвайте деликатен инструмент, например парче дърво или пластмаса, за да направите това, като избягвате твърди инструменти, които могат да повредят машината.
- За да сведете до минимум риска от пожар, редовно почиствайте отделението на двигателя от растителни остатъци. Всички зелени остатъци около двигателя трябва да бъдат отстранени, като е препоръчително да извършите тази операция поне след края на сезона за косене. При интензивна употреба е препоръчително да повторите почистването 1-2 пъти през сезона, като се уверите, че ножът е винаги остър и добре балансиран, за да се гарантира оптимално косене.

Технически данни:

Напрежение на батерията 2 x 18 V, съвместима със серията OneDNA18V, Blaupunkt BP1840, BP1850

Скорост на празен ход $n=2900$ минути¹

Ширина на рязане: 430 mm

Височина на рязане: 25/35/45/60/75 mm

Капацитет на бункера за окосена трева: 30l

Тегло без батерия/зарядно устройство 10,6 kg

Степен на защита IP40

(LpA): 76.2 dB (A); K= 3 dB(A)

Измерено ниво на звуковата мощност (LpA): 87 dB (A); K= 2.33dB(A)

Гарантирано ниво на звуковата мощност (LpA): 96 dB (A);

INFORMAȚII IMPORTANTE

Pentru a obține cea mai mare satisfacție, pentru a vă bucura de performanța produsului și pentru a învăța toate caracteristicile și funcțiile acestuia, vă rugăm să citiți acest manual înainte de a utiliza produsul. Înainte de a utiliza aparatul, citiți manualul și respectați instrucțiunile conținute în acesta. Producătorul nu este răspunzător pentru daunele cauzate de utilizarea dispozitivului în mod neconform cu destinația sa sau de manipularea necorespunzătoare. Păstrați instrucțiunile de utilizare pentru ca acestea să poată fi folosite și la o utilizare ulterioară a produsului.

- Nu scufundați aparatul în apă sau în orice alt lichid.
- Aparatul trebuie curățat în mod regulat, așa cum este descris în secțiunea Curățarea și întreținerea aparatului.
- Nu așezați aparatul în apropierea unor surse de căldură, flăcări, element electric Nu îl așezați deasupra unui alt aparat.
- Acordați o atenție deosebită atunci când utilizați aparatul în prezența copiilor sau a animalelor de companie.
- Nu permiteți copiilor să se joace cu aparatul.
- Nu expuneți aparatul la condiții atmosferice (ploaie, soare etc.) și nu îl utilizați în condiții de umiditate.
- Utilizați numai accesorii și piese de schimb originale pentru aparat sau cele recomandate de producător. Utilizarea accesoriilor sau a pieselor nerecomandate de producător poate deteriora aparatul și pune în pericol siguranța utilizării.
- Păstrați zona de lucru ordonată și bine luminată.
- Dezordinea și iluminarea insuficientă duc la accidente.
- O clipă de neatenție riscă să vă facă să pierdeți controlul sculei.
- Nu vă aplecați prea mult cu scula electrică. Mențineți o poziție stabilă și un echilibru. Acest lucru vă va ajuta să păstrați un control mai bun al sculei electrice în situații

neprevăzute.

- Evitați pornirea neintenționată a sculei electrice. Verificați dacă întrerupătorul de alimentare este în poziția OFF înainte de a conecta scula electrică la rețeaua electrică. Purtarea sculei electrice cu degetul pe trăgaci sau conectarea sculei electrice la rețeaua electrică după ce aceasta a fost deja pornită poate duce la accidente.
- Purtați îmbrăcăminte adecvată. Nu lucrați în haine largi și nu purtați bijuterii în timpul lucrului. Țineți părul, hainele și mânușile la distanță de piesele în mișcare. Piesele în mișcare ale sculei electrice pot prinde și trage în hainele largi, bijuteriile sau părul lung.
- Îndepărtați orice chei sau unelte din scula electrică înainte de a o porni. O unealtă sau o cheie încă conectată la partea rotativă a sculei electrice poate provoca răniri.
- Acordați prudență atunci când lucrați cu uneltele electrice, concentrați-vă asupra muncii dumneavoastră și folosiți bunul simț. Nu utilizați o unealtă electrică atunci când sunteți obosit sau sub influența drogurilor, alcoolului sau a medicamentelor. Chiar și o clipă de neatenție atunci când lucrați cu o unealtă electrică riscă să provoace un accident grav.
- Țineți copiii departe de zona de lucru și NU permiteți copiilor să tragă de cablul de alimentare, acest lucru putând provoca răni grave.
- Înainte de a face orice reglaje, de a schimba accesoriile sau de a depozita scula electrică, rotiți comutatorul în poziția oprit pentru a deconecta scula electrică de la sursa de alimentare. Aceste măsuri de precauție reduc riscul de pornire accidentală a sculei electrice.
- Utilizați scula numai într-un mediu uscat și bine iluminat.
- Această unealtă nu trebuie utilizată de persoane cu vârsta sub 16 ani.

	Прочетете ръководството за потребителя.		Използвайте защита за ушите
	Общо предупреждение		Носете защитни ръкавици
	Пожарна опасност		Носете защитно облекло
	Опасност от токов удар		Носете гозащитна маска
	Носете предпазни очила		Използвайте респираторна защита

- 1 Avertisment de pericol. Acordați o prudență extremă.
2. Important, citiți instrucțiunile și respectați avertismentele.
- 3 Purtați ochelari de protecție.
4. Folosiți căști de protecție pentru urechi.
5. Deconectați întotdeauna de la sursa de alimentare înainte de a repara sau întreținere. În cazul deteriorării cablului, deconectați imediat deconectați imediat acest aparat de la priza de perete.
6. Nu utilizați aparatul în ploaie sau în condiții de umiditate ridicată.

Siguranța la locul de muncă :

- Aparatul este proiectat pentru tăierea ierbii. Nu utilizați aparatul pentru alte activități.
- Păstrați zona de lucru îngrijită și bine luminată. Dezordinea și iluminarea slabă contribuie la producerea de accidente.
- Înainte de a începe lucrul, pregătiți și eliberați zona, îndepărtați toate pietrele, ramurile, firele și alte obiecte străine care ies din pământ și peste care există riscul de a vă împiedica.
- Acordați o atenție deosebită dacă lucrați pe teren înclinat

sau în pantă.

- Nu folosiți un aparat cu alimentare electrică în medii explozive create de lichide, gaze sau praf inflamabile. Aparatul poate produce scântei care pot aprinde praful sau vaporii.
- Nu permiteți accesul copiilor sau al observatorilor în zonele în care se utilizează un aparat cu alimentare electrică. Distragerea atenției poate cauza pierderea controlului asupra aparatului.
- Lăsați aparatele de grădină cu acționare electrică departe de spectatori.
- Operatorul sau utilizatorul este responsabil pentru accidente sau pericolele care apar pentru alte persoane sau pentru mediu.

Siguranța electrică

- Conectați aparatul numai la o priză cu caracteristici în concordanță cu valorile de pe plăcuța de identificare.
- Nu expuneți echipamentul alimentat electric la ploaie sau în condiții de umezeală. Dacă apa pătrunde în scula electrică, crește riscul de electrocutare.

Siguranța umană

- Nu folosiți echipamentul dacă utilizatorul se simte obosit sau se află sub influența alcoolului, a drogurilor sau a medicamentelor. Este necesară o concentrare totală atunci când utilizați aparatul și trebuie să fiți prudent. O clipă de neatenție în timp ce utilizați o unealtă electrică poate duce la un accident și, în consecință, la vătămări grave sau daune materiale.
- Este esențial să purtați echipament de protecție personală. Purtați întotdeauna ochelari de protecție bine ajustați

(conform EN 166 sau altor reglementări naționale). Purtați protecție pentru urechi din cauza volumului ridicat al echipamentului. Se recomandă, de asemenea, utilizarea echipamentului de protecție, cum ar fi masca de protecție împotriva prafului, pantofi de siguranță cu fețe antiderapante, mănuși de protecție.

- Purtați îmbrăcăminte strânsă. Hainele largi, bijuteriile, eșarfele pot fi prinse de piesele în mișcare ale mașinii, ceea ce poate duce la accidente periculoase. În cazul în care utilizatorul are părul lung, acesta trebuie asigurat și prins.
- În timpul funcționării, aparatul poate ejecta diverse obiecte la viteză mare. Există pericol de rănire. Se recomandă utilizarea de îmbrăcăminte adecvată.
- Înainte de a porni scula electrică, scoateți toate cheile și alte unelte utilizate pentru reglarea aparatului. Lăsarea unei chei într-o parte rotativă a sculei electrice poate provoca răniri.
- Evitați să lucrați într-o poziție nefirească a corpului. Adoptați o poziție corectă și stabilă pentru a evita posibilitatea pierderii echilibrului. Acest lucru va permite un control mai bun al sculei electrice în situații imprevizibile.
- Evitați pornirea neintenționată. Asigurați-vă că cablul de alimentare este scos din priză și că întrerupătorul este în poziția oprit înainte de a ridica sau transporta echipamentul. Transportarea echipamentului cu alimentare electrică cu degetul pe întrerupător sau conectarea la rețeaua electrică cu întrerupătorul pornit poate duce la un accident.
- Țineți mâinile și picioarele la distanță de părțile mobile (rotative) ale echipamentului.
- Păstrați o distanță de siguranță față de trecători. În ciuda designului intrinsec sigur proiectarea în sine, utilizarea măsurilor de siguranță și a măsurilor de protecție

suplimentare, există întotdeauna un risc de rănire reziduală în timpul funcționării.

- Nu utilizați detergenți sau alcool pentru a curăța mașina.
- Sistemul de fixare a sculei de lucru trebuie să corespundă dimensiunilor sculei electrice. Unelte de lucru cu dimensiuni incorecte nu pot fi protejate sau controlate suficient.
- Trebuie utilizat echipament de protecție personală. În funcție de tipul de lucru, purtați o mască de protecție care să acopere întreaga față, protecție pentru ochi, cum ar fi ochelari de protecție. Protejați ochii de corpurile străine în suspensie generate în timpul lucrului. Protejați tractul respirator împotriva prafului și a vaporilor în suspensie cu o mască de protecție împotriva prafului. Expunerea la zgomot pe o perioadă îndelungată poate duce la pierderea auzului.
- Asigurați-vă că trecătorii sunt ținuti la o distanță de siguranță față de zona de lucru a mașinii. Orice persoană aflată în apropierea unei scule electrice în funcțiune trebuie să utilizeze echipament de protecție personală
- Curățați cu regularitate fantele de ventilație ale echipamentului.
- Înainte de fiecare pornire, verificați dacă: - echipamentul este asamblat corect, în conformitate cu instrucțiunile; - unealta de tăiere este în stare bună de funcționare; trebuie să verificați în mod regulat atașamentul lamei, deteriorarea și uzura; - dispozitivele de siguranță (de exemplu, protecția unității de tăiere, carcasa, mânerul, comutatorul motorului) sunt în stare bună de funcționare și funcționează corect. Atunci când mașina este oprită, lama rămâne încă în mișcare pentru o perioadă de timp. Trebuie să se manifeste prudență.

Instrucțiuni de siguranță pentru încărcătorul și pachetul de baterii

- Pentru a conecta acumulatorul pentru încărcare, introduceți acumulatorul în încărcător și apoi conectați încărcătorul la o sursă de alimentare.
- Protejați încărcătorul de ploaie și umiditate. Încărcătorul poate fi utilizat numai în interior.
- Păstrați încărcătorul curat.
- Nu utilizați încărcătorul pe obiecte și substraturi inflamabile (de exemplu, hârtie) sau în medii cu atmosfere explozive și/sau inflamabile.
- Asigurați întotdeauna o ventilație adecvată atunci când încărcați, deoarece din baterie se pot scurge vapori sau electrolit dacă bateria este deteriorată din cauza unei manipulări/deteriorări necorespunzătoare.
- Scoateți încărcătorul din priză de perete atunci când încărcarea este completă. Nu-l lăsați conectat la o sursă de alimentare mai mult timp decât este necesar.
- Depozitați și încărcați bateria într-un loc uscat și asigurați-vă că nu intră apă în ea.
- Păstrați conectorii bateriei curați și lipsiți de murdărie.
- Protejați bateria de șocuri, de umiditate și nu deschideți sau deteriorați niciodată bateria în mod mecanic.
- Pentru a verifica nivelul de încărcare a acumulatorului, apăsați butonul de pe acumulator și, dacă este necesar, încărcați acumulatorul în funcție de numărul de LED-uri și de durata de funcționare preconizată a sculei fără fir.
- **Informații generale** Înainte de a scoate coșul, este necesar să opriți motorul pentru a evita potențialele pericole. Respectați întotdeauna distanța de siguranță dintre carcasa lamei și utilizator, care este asigurată de mână adecvate.

Se recomandă să fiți deosebit de atent la cosit, în special pe pante, și la schimbarea direcției. În acest scop, se recomandă să purtați încălțăminte cu talpă antiderapantă și pantaloni lungi pentru a reduce la minimum riscul de rănire.

- Atunci când scoateți coșul și schimbați direcția pe pante, mențineți o poziție stabilă. Conduceți întotdeauna mașina de tuns iarba în lungul pantei și evitați să tundeți pe pante de peste 15° din motive de siguranță. De asemenea, este important să fiți atenți atunci când dați înapoi și trageți mașina de tuns iarba pentru a evita împiedicarea.
- Când cositoarea este scoasă, apărătoria de protecție trebuie să închidă deschiderea de descărcare din spate pentru a preveni accesul accidental la lamă. Dacă iarba rămâne în deschidere, este recomandabil să mutați mașina de tuns iarba la o anumită distanță, iarba ar trebui să cadă mai liber. Astfel, va fi mai ușor să reporniți motorul. Nu îndepărtați resturile de pe carcasa cositoarei și de pe lamă cu mâna sau cu piciorul, ci folosiți unelte adecvate, cum ar fi o perie de mână.
- Când atașați coșul de colectare, asigurați-vă că motorul este oprit și că unealta de tăiere este staționară. Ridicați apărătoria pentru bara de protecție cu o mână și țineți sacul de mâner cu cealaltă, suspendându-l de sus. Pentru a asigura o colectare eficientă a ierbii, se recomandă să curățați coșul în mod regulat, acordând o atenție deosebită grilelor. Aceste măsuri vor contribui la menținerea siguranței și eficienței mașinii de tuns iarba.



Dacă pe aparat se află simbolul coș de gunoi barat, aceasta înseamnă că produsul care intră sub incidența Directivei Europene 2012/19/EU. Vă rugăm să consultați cerințele sistemului local de colectare a echipamentelor electrice și electronice uzate. Trebuie să procedați în conformitate cu reglementările locale. Se interzice aruncarea acestui produs împreună cu gunoiul menajer. Eliminarea corectă a produsului dumneavoastră vechi va preveni consecințe negative asupra mediului înconjurător și asupra sănătății umane.



Produsul a fost fabricat din materiale și componente de înaltă calitate care pot fi supuse reciclării și utilizate din nou.

Descrierea aparatului (A)

- | | |
|---|--------------------------------------|
| 1 Mănerul de sus | 13 Recipient pentru iarbă |
| 2 Pârghii de apăsare pentru fixarea secțiunii superioare a motocositoarei | 13a File de plastic |
| 3 Măner inferior | 13b Bare pentru recipientul de iarbă |
| 4 Clapeta din spate | 13c Mănerul de colectare a ierbi |
| 5 Pârghii de apăsare pentru fixarea secțiunii inferioare a cositoarei | 14 Suport de cablu |
| 6 Măner pentru transport | 15 Cablu |
| 7 Maneta de reglare a înălțimii de tăiere | 16 Buton de eliberare |
| 8 Capacul bateriei | 17 Măner de pornire |
| 9 Bateriile (nu sunt furnizate) | 18 Set de ejectare a ierbi |
| 9a Butonul de eliberare de pe baterie | 18a Suport pentru kitul de mulcire |
| 10 Cheia de aprindere | 19 Încărcător dublu |
| 11 Roți | 20 Lamă |
| 12 Carcasa mașinii | 21 Șurubul lamei |
| | 22 Axul motorului |

Pornirea și oprirea (G):

Nu porniți aparatul incomplet sau asamblat incorect. Înainte de pornire, verificați dacă toate componentele de siguranță sunt în stare bună.

- 1 Așezați unitatea pe o suprafață plană.
 2. Ridicați capacul (8) al carcasei aparatului și introduceți bateriile încărcate (9).
 3. Introduceți cheia de contact (10) în orificiul corespunzător de lângă baterie (9). (Cheia de aprindere poate fi introdusă doar într-o singură poziție).
 4. Asigurați-vă că lama nu atinge niciun obiect înainte de a porni aparatul.
 5. pentru a porni unitatea, apăsați butonul de deblocare a blocării (16) și mențineți-l apăsat, apoi apăsați maneta de pornire (17). Apoi eliberați butonul de eliberare a blocării (16).
 6. Pentru a opri unitatea, dați drumul la maneta de pornire (17).
- După ce aparatul a fost oprit, lama continuă să se rotească timp de câteva secunde. Nu atingeți lama în mișcare.
7. Pentru a scoate pachetul de baterii (9) din aparat, apăsați butonul de eliberare (9a) de pe pachetul de baterii și scoateți pachetul de baterii.
- Pentru a introduce pachetul de baterii (9), împingeți-l de-a lungul ghidajului.

Îndepărtarea recipientului pentru iarbă (E)

1. Pentru a instala recipientul pentru iarbă (13), ridicați hayonul (4) și agățați recipientul pentru iarbă (13) de ambele mânere.
2. Rabatați hayonul (4) peste containerul pentru iarbă (13).
3. Pentru a scoate recipientul pentru iarbă (13), ridicați capacul (4) și scoateți recipientul pentru iarbă (13).
4. Rabatați clapeta din spate (4) înapoi pe carcasa mașinii (12).

Reglarea înălțimii (F):

1. Prindeți maneta (7) de reglare a înălțimii de tăiere și glisați-o pe lângă mecanismul cu clichet până la înălțimea de tăiere dorită.

Mașina are 6 poziții pentru reglarea înălțimii de tăiere (F):

- 25 mm/35 mm - înălțime de tăiere joasă
- 45 mm/55 mm - înălțime medie de tăiere
- 65 mm/75 mm - înălțime mare de tăiere

Înălțimea de tăiere corectă este între 25 și 45 mm pentru un gazon ornamental și aproximativ 45-65

mm pentru un gazon utilitar.

Depozitare (K)

- Eliberați maneta de presiune (2+5) și pliați tija superioară (1) și tija inferioară (3) împreună pentru a ca unitatea să ocupe mai puțin spațiu. Când faceți acest lucru, aveți grijă să nu ciupiți cablurile unității.
- Depozitați aparatul într-un loc uscat și ferit de accesul copiilor.
- Înainte de a depozita aparatul într-un spațiu închis, lăsați motorul să se răcească.

MONTARE

Asamblarea tijei inferioare (B)

1. Rabatați atașamentul inferior (3) în sus.
2. Rotiți pârghiile inferioare (5) în sensul acelor de ceasornic pentru a le fixa.
3. Blocați pârghiile de fixare (5), împingeți-le spre bara inferioară (3).
4. Trageți ferm pârghiile de prindere și apoi aliniați-le la tijă, astfel încât strângerea să se poată efectua cu o forță medie. Dacă acest lucru nu reușește, continuați să rotiți pârghia de strângere în sensul acelor de ceasornic sau aceasta trebuie slăbită prin rotirea ei în sens invers acelor de ceasornic.

Instalarea tijei superioare (C)

- Atașați tija superioară (1) folosind șuruburile (2b), șaibele (2a) și pârghiile superioare (2) la dreapta și la stânga tijei inferioare (3). Butonul de deblocare (16) trebuie să se afle în partea dreaptă în direcția de cosire. Sunt posibile două poziții.
2. Rotiți maneta de prindere (2) în sensul acelor de ceasornic.
 3. Blocați pârghiile de strângere (2) apăsându-le în direcția barei (3). Pârghiile de strângere trebuie să se sprijine pe bară în așa fel încât să fie posibilă strângerea cu o forță medie. Dacă acest lucru nu reușește, continuați să rotiți pârghiile de strângere în sensul acelor de ceasornic sau slăbiți-le prin rotirea în sens invers acelor de ceasornic.

Asamblarea recipientului pentru iarbă (E)

1. Înclicetați mânerul (13c) al recipientului pentru iarbă (13) în partea superioară a recipientului pentru iarbă (13).
2. Așezați filele de plastic (13a) ale recipientului pentru iarbă (13) pe barele recipientului pentru iarbă (13b).

Kit de ejectare a ierbii (J)

Fixarea kitului de ejectare a ierbii

1. Scoateți containerul de iarbă.
2. Ridicați clapeta din spate.
3. Glisați kitul de ejectare a ierbii (18) în poziție. Suportul (18a) se va fixa în poziție.

Îndepărtarea kitului de ejectare a ierbii (J)

4. Scoateți suportul (18a) și îndepărtați kitul de ejectare a ierbii (18).

Curățarea și întreținerea:

Scoateți bateria din unitate înainte de întreținere și depozitare! Contactul unor părți ale corpului cu elementul de tăiere în mișcare poate provoca vătămări, invaliditate sau deces!
Nu uitați că elementul de tăiere continuă să se miște pentru o perioadă de timp după ce motorul este oprit.

- Curățenia și întreținerea regulată sunt esențiale pentru buna funcționare a mașinii. Vă recomandăm să curățați bine motocositoarea după fiecare utilizare, folosind o perie, o cârpă sau aer comprimat. Este important să evitați utilizarea de detergenți sau solvenți și să vă asigurați că apa nu pătrunde în unitate.
- Înainte de fiecare utilizare, este o idee bună să inspectați cu atenție mașina de tuns iarba pentru a detecta defecte vizibile, cum ar fi componente slăbite sau deteriorate. Verificarea regulată a strângerii tuturor șuruburilor și șuruburilor este esențială, deoarece componentele uzate sau insuficient strânse pot duce la deteriorarea periculoasă a motorului sau a cadrului.
- Monitorizați în mod regulat starea carcasei, a componentelor de siguranță și a coșului de colectare pentru orice deteriorare și verificați stabilitatea atașării acestora. Dacă observați orice anomalie, se recomandă ca acestea să fie reparate imediat sau înlocuite cu altele noi.
- După ce ați cosit, așteptați ca motorul să se răcească înainte de a depozita mașina de tuns iarba. Dacă lama lovește puternic un obiect străin, opriți imediat mașina de tuns iarba și consultați un tehnician de service.
- Inspectați cu atenție motocositoarea după fiecare cosire și îndepărtați orice resturi vegetale de pe roți, găuri și de sub carcasă (compartimentul lamei). Folosiți o unealtă delicată, cum ar fi o bucată de lemn sau de plastic pentru a face acest lucru, evitând uneltele dure care pot deteriora mașina.
- Pentru a minimiza riscul de incendiu, curățați periodic compartimentul motorului de resturile vegetale. Orice reziduu verde din jurul motorului trebuie îndepărtat și este recomandabil să efectuați această operațiune cel puțin după sezonul de cosit. În cazul unei utilizări intensive, se recomandă repetarea curățării de 1-2 ori în timpul sezonului, asigurându-vă că lama este întotdeauna ascuțită și bine echilibrată pentru a garanta o tăiere optimă.

Date tehnice:

Tensiune baterie 2 x 18 V, compatibilă cu seria OneDNA18V, Blaupunkt BP1840, BP1850.

Viteză fără sarcină n=2900 minute⁻¹.

Lățimea de tăiere: 400 mm

Înălțime de tăiere: 25/35/45/45/60/75 mm

Capacitatea buncărului pentru iarba tăiată: 30l

Greutate fără baterie/incărcător 10,6 kg

Grad de protecție IP40

Zgomot

Nivelul presiunii acustice (LpA): 76.2 dB (A); K= 3 dB(A)

Nivelul de putere acustică măsurat (LpA): 87 dB (A); K= 2.33 dB(A)

Nivelul de putere acustică garantat (LpA): 96 dB (A);

SVARBI INFORMACIJA

Norėdami pasiekti didžiausią pasitenkinimą, mėgautis gaminio veikimu ir susipažinti su visomis jo savybėmis bei funkcijomis, prieš naudodami gaminį perskaitykite šį vadovą. Prieš naudodami prietaisą perskaitykite vadovą ir laikykitės jame pateiktų nurodymų. Gamintojas neatsako už žalą, padarytą naudojant prietaisą ne pagal paskirtį arba netinkamai su juo elgiantis. Išsaugokite naudojimo instrukciją, kad ją galėtumėte pasinaudoti ir vėliau naudodami gaminį.

- Nemerkite prietaiso į vandenį ar kitą skystį.
- Prietaisą reikia reguliariai valyti, kaip aprašyta skyriuje "Prietaiso valymas ir priežiūra".
- Nestatykite prietaiso arti šilumos šaltinių, liepsnos, elektros elemento. Nestatykite jo ant jokio kito prietaiso.
- Būkite ypač atsargūs naudodami prietaisą, kai šalia yra vaikų ar naminių gyvūnų.
- Neleiskite vaikams žaisti su prietaisu.
- Nelaikykite prietaiso atmosferos sąlygose (lietus, saulė ir pan.) ir nenaudokite jo drėgnoje aplinkoje.
- Naudokite tik originalius arba gamintojo rekomenduojamus prietaiso priedus ir atsargines dalis. Naudojant gamintojo nerekomenduojamus priedus ar dalis, gali būti sugadintas prietaisas ir kilti pavojus naudojimo saugumui.
- Darbo vietą laikykite tvarkingą ir gerai apšviestą.
- Netvarka ir nepakankamas apšvietimas sukelia nelaimingus atsitikimus.
- Dėl akimirkos neatidumo rizikuojate prarasti įrankio kontrolę.
- Su elektriniu įrankiu per daug nesilenkite. Išlaikykite stabilią laikyseną ir pusiausvyrą. Tai padės geriau kontroliuoti elektrinį įrankį nenumatytose situacijose.
- Venkite netyčia paleisti elektrinį įrankį. Prieš įjungdami elektrinį įrankį į elektros tinklą, patikrinkite, ar maitinimo jungiklis yra išjungimo padėtyje. Nešdami elektrinį įrankį su

pirštu ant gaiduko arba prijungdami elektrinį įrankį prie elektros tinklo po to, kai jis jau buvo įjungtas, galite patirti nelaimingų atsitikimų.

- Dėvėkite tinkamus drabužius. Dirbdami nedirbkite su laisvais drabužiais ir nedėvėkite papuošalų. Laikykite plaukus, drabužius ir pirštines atokiau nuo judančių dalių. Judančios elektrinio įrankio dalys gali užkabinti ir patraukti laisvus drabužius, papuošalus ar ilgus plaukus.
- Prieš paleisdami elektrinį įrankį, išimkite iš jo visus veržliarakčius ar įrankius. Prie besisukančios elektrinio įrankio dalies vis dar prijungtas įrankis ar veržliaraktis gali sužaloti.
- Dirbdami su elektriniais įrankiais būkite atsargūs, susikoncentruokite į darbą ir vadovaukitės sveiku protu. Nenaudokite elektrinio įrankio pavargę arba apsvaigę nuo narkotikų, alkoholio ar vaistų. Net akimirka neatidumo dirbant su elektriniu įrankiu gali sukelti rimtą nelaimingą atsitikimą.
- Neleiskite vaikams prieiti prie darbo vietos ir **NEDUOKITE** vaikams traukti už maitinimo laido, nes tai gali sukelti rimtų sužalojimų.
- Prieš atlikdami bet kokius reguliavimus, keisdami priedus ar padėdami elektrinį įrankį saugoti, perjunkite jungiklį į išjungimo padėtį, kad atjungtumėte elektrinį įrankį nuo maitinimo šaltinio. Tokios atsargumo priemonės sumažina riziką netyčia paleisti elektrinį įrankį.
- Naudokite įrankį tik sausoje, gerai apšviestoje aplinkoje.
- Šio įrankio neturėtų naudoti jaunesni nei 16 metų asmenys.

	Perskaitykite naudojimo instrukciją.		Naudokite ausų apsaugą
	Bendro pobūdžio įspėjimai		Mūvėkite apsaugines pirštines
	Gaisro pavojus		Dėvėkite apsauginę aprangą
	Elektros smūgio pavojus		Dėvėkite apsauginę kaukę
	Dėvėkite apsauginius akinius		Taiykite kvėpavimo takų apsaugą

- 1 Įspėjimas apie pavojų. Elkitės itin atsargiai.
2. Svarbu, perskaitykite instrukcijas ir laikykitės įspėjimų.
3. Dėvėkite apsauginius akinius.
4. Naudokite apsaugines ausines.
5. Prieš remontuodami ar techninę priežiūrą. Pažeidus kabelį, nedelsdami atjunkite šį aparatą nuo elektros lizdo.
6. Nenaudokite aparato lyjant lietuvi arba esant didelei drėgmei.

Sauga darbo vietoje :

- Šis prietaisas skirtas žolei pjauti. Nenaudokite prietaiso kitai veiklai.
- Darbo vietą laikykite tvarkingą ir gerai apšviestą. Netvarka ir prastas apšvietimas prisideda prie nelaimingų atsitikimų.
- Prieš pradėdami darbą paruoškite ir išvalykite teritoriją, pašalinkite visus akmenis, šakas, laidus ir kitus pašalinius daiktus, kurie kyšo iš žemės ir ant kurių yra pavojus užkliūti.
- Būkite ypač atsargūs, jei dirbate nuožulnioje vietovėje ar šlaituose.
- Nenaudokite elektra varomo prietaiso sprogiroje aplinkoje,

kurią sukuria degūs skysčiai, dujos ar dulkės. Prietaisas gali sukelti kibirkštis, kurios gali uždegti dulkes ar dūmus.

- Neleiskite vaikams ar stebėtojams patekti į vietas, kuriose naudojamas elektra varomas prietaisas. Dėl išsiblaškymo gali būti prarasta prietaiso kontrolė.
- Elektra varomą sodo įrangą palikite atokiau nuo pašalinių asmenų.
- Už nelaimingus atsitikimus ar pavojus, kylančius kitiems asmenims ar aplinkai, atsako operatorius arba naudotojas.

Elektros sauga

- Prietaisą prijunkite tik prie lizdo, kurio charakteristikos atitinka vardinėje plokštelėje nurodytas vertes.
- Nelaikykite elektra maitinamos įrangos veikiamos lietaus ar drėgmės. Jei į elektrinį įrankį patenka vandens, padidėja elektros smūgio pavojus.

Žmogaus sauga

- Nedirbkite su įrenginiu, jei naudotojas jaučiasi pavargęs arba yra apsvaigęs nuo alkoholio, narkotikų ar vaistų. Naudojantis įrenginiu reikia visiškai susikaupti ir būti atsargiam. Akimirka neatidumo naudojant elektrinį įrankį gali sukelti nelaimingą atsitikimą ir dėl to sunkiai susižaloti arba sugadinti turtą.
- Būtina dėvėti asmenines apsaugos priemones. Visada dėvėkite prigludusius apsauginius akinius (pagal standartą EN 166 arba kitas nacionalines taisykles). Dėvėkite ausų apsaugos priemones, nes įranga veikia garsiai. Taip pat rekomenduojama naudoti apsaugines priemones, pavyzdžiui, kaukę nuo dulkių, neslidžius apsauginius batus su batviršiais, apsaugines pirštines.

- Dėvėkite prigludusius drabužius. Laisvi drabužiai, papuošalai, šalikai gali įsipainioti į judančias mašinos dalis, o tai gali sukelti pavojingų nelaimingų atsitikimų. Jei naudotojas turi ilgus plaukus, jie turi būti pritvirtinti ir susegti.
- Veikimo metu prietaisas dideliu greičiu gali išmesti įvairius daiktus. Kyla pavojus susižeisti. Rekomenduojama naudoti tinkamus drabužius.
- Prieš paleisdami elektrinį įrankį, išimkite visus veržliarakčius ir kitus įrankius, naudotus prietaisui reguliuoti. Palikę veržliaraktį besisukančioje elektrinio įrankio dalyje, galite susižeisti.
- Venkite dirbti nenatūralioje kūno padėtyje. Užimkite taisyklingą ir stabilią laikyseną, kad išvengtumėte galimybės prarasti pusiausvyrą. Tai leis geriau valdyti elektrinį įrankį nenuspėjamose situacijose.
- Venkite netyčinio paleidimo. Prieš imdami ar nešdami įrangą įsitikinkite, kad maitinimo laidas atjungtas nuo elektros tinklo ir jungiklis yra išjungimo padėtyje. Nešdami elektra varomą įrangą su pirštu ant jungiklio arba jungdami prie elektros tinklo esant įjungtam jungikliui, galite patirti nelaimingą atsitikimą.
- Laikykitės rankas ir kojas atokiau nuo judančių (besisukančių) įrangos dalių.
- Laikykitės saugaus atstumo nuo pašalinių asmenų. Nepaisant iš esmės saugios konstrukcijos pati konstrukcija, naudojimas saugos priemonės ir papildomos apsaugos priemonės, visada išlieka likutinių sužalojimų rizika eksploatuojant įrenginį.
- Mašinai valyti nenaudokite ploviklių ar alkoholio.
- Darbo įrankio tvirtinimo sistema turi atitikti elektrinio

įrankio matmenis. Netinkamų matmenų darbo įrankių negalima pakankamai apsaugoti ar valdyti.

- Turi būti naudojamos asmeninės apsaugos priemonės. Priklausomai nuo darbo pobūdžio, dėvėkite visą veidą dengiančią apsauginę kaukę, apsauginius akinius, pvz. Saugokite akis nuo darbo metu susidarančių ore esančių svetimkūnių. Kvėpavimo takus nuo ore esančių dulkių ir garų saugokite dulkiaveidėmis kaukėmis. Ilgalaikis triukšmo poveikis gali sukelti klausos praradimą.
- Užtikrinkite, kad pašaliniai asmenys būtų saugiu atstumu nuo mašinos darbo zonos. Visi, esantys šalia veikiančio elektrinio įrankio, privalo naudoti asmenines apsaugos priemones
- Reguliariai valykite įrangos ventiliacijos angas.
- Prieš kiekvieną paleidimą patikrinkite, ar: - įranga yra tinkamai surinkta pagal instrukcijas; - pjovimo įrankis yra techniškai tvarkingas; reikia reguliariai tikrinti ašmenų tvirtinimą, pažeidimus ir nusidėvėjimą; - saugos įtaisai (pvz., pjovimo įrenginio apsauga, korpusas, rankena, variklio jungiklis) yra techniškai tvarkingi ir tinkamai veikia. Išjungus mašiną, ašmenys dar kurį laiką juda. Reikėtų būti atsargiems.

Įkroviklio ir akumulatoriaus bloko saugos instrukcijos

- Norėdami prijungti akumuliatorių įkrovimui, įdėkite akumuliatorių į įkroviklį ir prijunkite įkroviklį prie maitinimo šaltinio.
- Saugokite įkroviklį nuo lietaus ir drėgmės. Įkroviklį galima naudoti tik patalpose.
- Laikykite įkroviklį švarų.
- Nenaudokite įkroviklio ant degių daiktų ir pagrindų (pvz., popieriaus) arba aplinkoje, kurioje yra sprogi ir (arba) degi

aplinka.

- Įkrovimo metu visada pasirinkite tinkama ventiliacija, nes iš akumulatoriaus gali ištekėti dūmai arba elektrolitas, jei akumulatorius sugadintas dėl netinkamo tvarkymo ir (arba) sugadinimo.
- Baigę įkrovimą, ištraukite įkroviklį iš sieninio lizdo. Nepalikite jo prijungto prie maitinimo šaltinio ilgiau nei būtina.
- Akumuliatorių laikykite ir įkraukite sausoje vietoje ir pasirinkite, kad į jį nepatektų vandens.
- Akumulatoriaus jungtis laikykite švarias ir neužterštas.
- Saugokite akumuliatorių nuo smūgių, drėgmės ir niekada neatidarykite ar mechaniškai nepažeiskite akumulatoriaus.
- Norėdami patikrinti akumulatoriaus įkrovos lygį, paspauskite ant akumulatoriaus esantį mygtuką ir, jei reikia, įkraukite akumuliatorių pagal šviesos diodų skaičių ir numatomą akumuliatorinio įrankio veikimo laiką.

Bendroji informacija

- Prieš nuimant krepšį būtina išjungti variklį, kad būtų išvengta galimo pavojaus. Visada laikykitės saugaus atstumo tarp asmenų korpuso ir naudotojo, kurį užtikrina tinkamos rankenos. Patartina būti ypač atsargiems pjaunant, ypač šlaituose, ir keičiant kryptį. Šiuo tikslu patartina dėvėti avalynę su neslystančiu padu ir ilgas kelnes, kad sumažintumėte susižalojimo riziką.
- Nuimdami krepšį ir keisdami kryptį šlaituose, laikykitės stabilios padėties. Saugumo sumetimais visada važiuokite su vejpajove skersai šlaito ir venkite pjauti didesniuose nei 15° šlaituose. Taip pat svarbu būti atsargiems važiuojant atbuline eiga ir traukiant vejpajovę, kad išvengtumėte

suklupimo.

- Kai šienapjovė nuimama, bamperio apsauga turi uždaryti galinio išmetimo angą, kad netyčia nepatektumėte prie peilio. Jei angoje lieka žolės, patartina šiek tiek pastumti vejąpjavę, žolė turėtų laisviau iškristi. Taip bus lengviau iš naujo paleisti variklį. Nešalinkite šiukšlių nuo šienapjovės korpuso ir peilio rankomis ar kojomis, o naudokite tinkamus įrankius, pavyzdžiui, rankinį šepetį.
- Kai tvirtinate surinkimo krepšį, įsitikinkite, kad variklis išjungtas, o pjovimo įrankis nejuda. Viena ranka pakelkite bamperio apsaugą, o kita ranka laikykite krepšį už rankenos, pakabinę jį iš viršaus. Siekiant užtikrinti veiksmingą žolės surinkimą, patartina reguliariai valyti krepšį, ypatingą dėmesį skiriant grotelėms. Šios priemonės padės išlaikyti vejąpjavės saugumą ir efektyvumą.



Jei prietaise yra perbrauktos šiukšliadėžės ženklas, reiškia tai, kad produktas apimtas 2012/19/EU direktyva. Reikia susipažinti su vietiniais reikalavimais dėl elektros ir elektronikos atliekų surinkimo. Reikia veikti pagal vietines taisykles. Nemeskite šio produkto kartu su kitomis namų apyvokos šiukšlėmis. Teisingas senų produktų šalinimas leidžia išvengti galimų neigiamų pasekmių aplinkai ir žmonių sveikatai.



Produktas pagamintas iš aukštos kokybės medžiagų ir komponentų, kuriuos galima perdirbti ir vėl panaudoti.

Prietaiso aprašymas (A)

- | | |
|---|-----------------------------------|
| 1 Viršutinė rankena | 13 Žolės konteineris |
| 2 Spaudimo svirtys viršutinei šienapjovės daliai pritvirtinti | 13a Plastikiniai skirtukai |
| 3 Apatinė rankena | 13b Žolės konteinerio strypai |
| 4 Galinė sklendė | 13c Žolės gaudyklės rankena |
| 5 Paspaudimo svirtys apatinei šienapjovės daliai pritvirtinti | 14 Kabelio laikiklis |
| 6 Rankena nešimui | 15 Kabelis |
| 7 Pjovimo aukščio reguliavimo svirtis | 16 Atleidimo mygtukas |
| 8 Akumuliatoriaus dangtelis | 17 Starterio rankena |
| 9 Akumuliatoriai (nepridedami) | 18 Žolės išmetimo rinkinys |
| 9a Akumuliatoriaus atleidimo mygtukas | 18a Mulčiavimo rinkinio laikiklis |
| 10 Uždegimo raktas | 19 Dvigubas įkroviklis |
| 11 Ratai | 20 Peilis |
| 12 Mašinos korpusas | 21 Peilio varžtas |
| | 22 Variklio velenas |

Įjungimas ir išjungimas (G):

Nepaleiskite nepilnai arba netinkamai surinkto įrenginio. Prieš paleisdami patikrinkite, ar visi saugos komponentai yra geros būklės.

- 1 Pastatykite įrenginį ant lygaus paviršiaus.
- 2 Pakelkite prietaiso korpuso dangtelį (8) ir įdėkite įkrautas baterijas (9).
- 3 Įkiškite uždegimo raktelį (10) į atitinkamą angą šalia akumuliatoriaus (9). (Uždegimo raktelį galima įstatyti tik vienoje padėtyje).
- 4 prieš įjungdami prietaisą įsitikinkite, kad peilis nelielia jokių daiktų.
- 5 norėdami įjungti įrenginį, paspauskite užrakto atleidimo mygtuką (16) ir laikykite jį nuspaudę, tada paspauskite paleidimo svirtį (17). Tada atleiskite užrakto atleidimo mygtuką (16).
- 6 Norėdami išjungti įrenginį, atleiskite paleidimo svirtį (17).
- 7 Išjungus prietaisą, peilis dar kelias sekundes sukasi. Nelieskite judančių ašmenų.
- 8 Norėdami iš prietaiso išimti akumuliatorių (9), paspauskite akumuliatoriaus atleidimo mygtuką (9a) ir ištraukite akumuliatorių.
- 9 Norėdami įdėti akumuliatorių bloką (9), stumkite jį išilgai kreipiančiosios.

Žolės konteinerio (E) išėmimas

- 1 Norėdami įstatyti žolės konteinerį (13), pakelkite galines dureles (4) ir pakabinkite žolės konteinerį (13) ant abiejų rankenų.
- 2 Užlenkite galines dureles (4) ant žolės konteinerio (13).
- 3 Norėdami nuimti žolės konteinerį (13), pakelkite dangtį (4) ir nuimkite žolės konteinerį (13).
- 4 Užlenkite galinį dangtį (4) atgal ant mašinos korpuso (12).

Aukščio reguliavimas (F):

- 1 Suimkite pjovimo aukščio reguliavimo svirtį (7) ir pastumkite ją už reketinio mechanizmo iki norimo pjovimo aukščio.

Mašinoje yra 6 pjovimo aukščio (F) reguliavimo padėtys:

- 25 mm/35 mm - mažas pjovimo aukštis
 - 45 mm/55 mm - vidutinis pjovimo aukštis
 - 65 mm/75 mm - didelis pjovimo aukštis
- Tinkamas pjovimo aukštis dekoratyvinei vejai yra nuo 25 iki 45 mm, o komunalinei vejai - maždaug 45-65 mm.

Laikymas (K)

- Atleiskite spaudimo svirtį (2+5) ir sulenkite viršutinį strypą (1) ir apatinį strypą (3) kartu, kad įrenginys užimtų mažiau vietos. Tai darydami saugokitės, kad nesuspaustumėte įrenginio laidų.
- Laikykite prietaisą sausoje, vaikams nepasiekiamoje vietoje.
- Prieš laikydami prietaisą uždaroje patalpoje, leiskite varikliui atvėsti.

TVIRTINIMAS**Apatinio strypo surinkimas (B)**

1. Atlenkite apatinį tvirtinimo elementą (3) į viršų.
2. Pasukite apatines svirtis (5) pagal laikrodžio rodyklę, kad jas pritvirtintumėte.
3. Užfiksukite fiksavimo svirtis (5), pastumkite jas link apatinės atramos (3). Tvirtai patraukite prispaudimo svirtis, tada sulygiuokite jas su strypu, kad būtų galima priveržti vidutine jėga. Jei tai nepavyksta, toliau sukite priveržimo svirtį pagal laikrodžio rodyklę arba ją reikia atlaisvinti sukant prieš laikrodžio rodyklę.

Viršutinio strypo montavimas (C)

- Pritvirtinkite viršutinį strypą (1) naudodami varžtus (2b), poveržles (2a) ir viršutines svirtis (2) į dešinę ir į kairę nuo apatinio strypo (3). Atlaisvinimo mygtukas (16) turi būti dešinėje pusėje įpjovimo kryptimi. Galimos dvi padėties.
2. Pasukite prispaudimo svirtį (2) pagal laikrodžio rodyklę.
 3. Užfiksukite prispaudimo svirtis (2) paspausdami jas strypo (3) kryptimi. Užveržimo svirtys turi priglusti prie strypo taip, kad būtų galima priveržti vidutine jėga. Jei tai nepavyksta, toliau sukite priveržimo svirtis pagal laikrodžio rodyklę arba atlaisvinkite jas sukdamai prieš laikrodžio rodyklę.

Žolės konteinerio surinkimas (E)

1. Žolės konteinerio (13c) rankeną (13c) įkiškite į žolės konteinerio (13) viršų.
2. Uždėkite žolės konteinerio (13) plastikinius skirtukus (13a) ant žolės konteinerio (13b) strypo.

Žolės išmetimo rinkinys (J)

Žolės išmetimo rinkinio tvirtinimas

- 1 Nuimkite žolės konteinerį.
2. Pakelkite galinį dangtelį.
3. Įstumkite žolės išmetimo rinkinį (18) į vietą. Laikiklis (18a) užsifiksuos savo vietoje.

Žolės išmetimo rinkinio nuėmimas (J)

4. Ištraukite laikiklį (18a) ir išimkite žolės išmetimo rinkinį (18).

Valymas ir priežiūra:

Prieš atliekant techninę priežiūrą ir sandėliavimą iš prietaiso išimkite akumuliatorių! Kūno dalių sąlytis su judančiu pjovimo elementu gali sukelti sužalojimus, neįgalumą arba mirtį!

Atminkite, kad išjungus variklį pjovimo elementas dar kurį laiką juda.

- Švara ir reguliari techninė priežiūra yra būtini tinkamam įrenginio veikimui užtikrinti. Rekomenduojame kruopščiai išvalyti vejąpvovę po kiekvieno naudojimo, naudojant šepetį, šluostę arba suspaustą orą. Svarbu nenaudoti valiklių ar tirpiklių ir užtikrinti, kad į įrenginį nepatektų vandens.
- Prieš kiekvieną naudojimą pravartu atidžiai apžiūrėti šienapjavę, ar nėra matomų defektų, pavyzdžiui, atsilaisvintųjų ar pažeistųjų komponentų. Labai svarbu reguliariai tikrinti visų varžtų ir sraigčių priveržimą, nes dėl susidėvėjusių ar nepakankamai priveržtų komponentų gali pavojingai sugesti variklis ar rėmas.

- Reguliariai stebėkite, ar korpuso, saugos komponentų ir surinkimo krepšio būklė nėra pažeista, ir tikrinkite jų tvirtinimo stabilumą. Pastebėjus kokių nors nukrypimų, rekomenduojama juos nedelsiant sutaisyti arba pakeisti naujais.
- Po šienavimo palaukite, kol variklis atvės, ir tik tada padėkite vejąpjovę saugoti. Jei peilis stipriai atsitrenkia į pašalinį daiktą, nedelsdami sustabdykite vejąpjovę ir kreipkitės į techninės priežiūros specialistą.
- Po kiekvieno šienavimo atidžiai apžiūrėkite šienapjovę ir pašalinkite augalines liekanas iš ratų, skylių ir iš po korpuso (peilių skyriaus). Tam naudokite subtilų įrankį, pavyzdžiui, medžio ar plastiko gabalėlį, venkite kietų įrankių, kurie gali sugadinti mašiną.
- Kad sumažintumėte gaisro pavojų, reguliariai valykite variklio skyrių nuo augalų liekanų. Bet kokias žalios spalvos liekanas aplink variklį reikia pašalinti, ir šią operaciją patartina atlikti bent po pjovimo sezono. Naudojant intensyviai, patartina valymą pakartoti 1-2 kartus per sezoną, užtikrinant, kad ašmenys visada būtų aštrūs ir gerai subalansuoti, kad būtų užtikrintas optimalus pjovimas.

Techniniai duomenys:

Akumuliatoriaus įtampa 2 x 18 V, suderinama su OneDNA18V serija, Blaupunkt BP1840, BP1850

Greitis be apkrovos n=2900 minučių¹

Pjovimo plotis: 430 mm

Pjovimo aukštis: 25/35/45/60/75 mm

Žolės pjovimo bunkerio talpa: 30l

Svoris be akumuliatoriaus/įkroviklio 10,6 kg

Apsaugos laipsnis IP40

Triukšmas

Garso slėgio lygis (LpA): 76.2 dB (A) ; K= 3dB(A)

Matuotas garso galios lygis (LpA): 87 dB (A) ; K= 2.33dB(A)

Garantuotas garso galios lygis (LpA): 96 dB (A) ;

OLULINE TEAVE

Selleks, et saavutada suurim rahulolu, nautida toote jõudlust ning õppida kõiki selle funktsioone ja omadusi, lugege palun enne toote kasutamist käesolevat kasutusjuhendit. Enne seadme kasutamist lugege kasutusjuhend läbi ja järgige selles sisalduvaid juhiseid. Tootja ei vastuta kahjustuste eest, mis on põhjustatud seadme mittesihipärasest kasutamisest või ebaõigest käsitsemisest. Hoidke kasutusjuhend alles, et seda saaks kasutada ka toote hilisemal kasutamisel.

- Ärge kastke seadet vette või muusse vedelikku.
- Seadet tuleb regulaarselt puhastada, nagu on kirjeldatud peatükis Seadme puhastamine ja hooldus.
- Ärge asetage seadet soojusallika, leegi või elektritoite lähedale. Ärge asetage seadet ühegi teise seadme peale.
- Olge eriti ettevaatlik, kui kasutate seadet laste või lemmikloomade juuresolekul.
- Ärge lubage lastel seadmega mängida.
- Ärge hoidke seadet ilmastikutingimustes (vihm, päike jne.) ega kasutage seda niisketes tingimustes.
- Kasutage seadme jaoks ainult originaaltarvikuid ja varuosi või tootja soovitatud varuosi. Tootja poolt mittesoovitatud tarvikute või osade kasutamine võib seadet kahjustada ja ohustada selle kasutusohutust.
- Hoidke tööpiirkond korras ja hästi valgustatud.
- Ebakorrapärasus ja ebapiisav valgustus põhjustavad õnnetusi.
- Hetkeline tähelepanematus võib kaasa tuua kontrolli kaotamise tööriista üle.
- Ärge kalduge elektritööriistaga liiga kaugemale. Säilitage stabiilne kehahoiak ja tasakaal. See aitab teil hoida elektritööriista ettenägematutes olukordades paremini kontrolli all.
- Vältige elektritööriista tahtmatut käivitamist. Enne elektritööriista vooluvõrku ühendamist kontrollige, et

toitelüliti oleks asendis OFF. Elektrilise tööriista kandmine sõrmega päästikul või elektrilise tööriista ühendamise vooluvõrku pärast selle sisselülitamist võib põhjustada õnnetusi.

- Kandke sobivat riietust. Ärge töötage lahtistes riietes ega kandke töö ajal ehteid. Hoidke juuksed, riided ja kindad liikuvatest osadest eemal. Elektritööriista liikuvad osad võivad kinni jääda ja tõmmata lahtiseid riideid, ehteid või pikki juukseid.
- Enne elektrilise tööriista käivitamist eemaldage sellest kõik mutrivõtmed ja tööriistad. Elektritööriista pöörleva osa külge ühendatud tööriist või mutrivõtja võib põhjustada vigastusi.
- Olge elektritööriistadega töötamisel ettevaatlik, keskenduge oma tööle ja kasutage tervet mõistust. Ärge kasutage elektritööriista väsinud või narkootikumide, alkoholi või ravimite mõju all. Isegi hetkeline tähelepanematus elektritööriistaga töötades võib põhjustada tõsise õnnetuse.
- Hoidke lapsed tööpiirkonnast eemal ja ärge lubage lastel elektrijuhtmest tõmmata, see võib põhjustada tõsiseid vigastusi.
- Enne seadistuste tegemist, tarvikute vahetamist või elektrilise tööriista hoiulepanekut keerake lüliti väljalülitatud asendisse, et elektriline tööriist vooluvõrgust lahti ühendada. Sellised ettevaatusabinõud vähendavad elektrilise tööriista juhusliku käivitamise ohtu.
- Kasutage tööriista ainult kuivas, hästi valgustatud keskkonnas.
- Seda tööriista ei tohi kasutada alla 16-aastased isikud.

	Lugege läbi kasutusjuhend.		Kasutage kõrvakaitseid
	Üldhoiatus		Kandke kaitsekindaid
	Tulekahjuoht		Kandke kaitseriietust
	Elektrilöögi oht		Kandke kaitsemaski
	Kandke kaitseprille		Kasutage hingamisteede kaitset

- 1 Hoiatus ohu eest. Kasutage äärmist ettevaatust.
2. Oluline, lugege juhiseid ja järgige hoiatusi.
- 3 Kandke kaitseprille.
4. Kasutage kaitseklappe.
5. Ühendage alati vooluvõrgust lahti, enne kui parandate või hooldustöid. Kaabli kahjustumise korral viivitamatult tõmmake see seade pistikupesast välja.
6. Ärge kasutage seadet vihma või kõrge õhuniiskuse tingimustes.

Tööohutus:

- Seade on mõeldud muru lõikamiseks. Ärge kasutage seadet muudeks tegevusteks.
- Hoidke tööpiirkond puhas ja hästi valgustatud. Ebakorrapärasus ja halb valgustus soodustavad õnnetusi.
- Enne töö alustamist valmistage ala ette ja puhastage see, eemaldage kõik maast väljaulatuvad kivid, oksad, juhtmed ja muud vöörkehad, mille üle on komistamisohu.
- Olge eriti ettevaatlik, kui töötate kallakutel või nõlvadel.
- Ärge kasutage elektriga töötavat seadet plahvatusohtlikes keskkondades, mida tekitavad tuleohtlikud vedelikud, gaasid või tolm. Seade võib tekitada sädemeid, mis võivad

süüdata tolmu või suitsu.

- Ärge lubage lapsi ega vaatlejaid aladele, kus elektriga töötav seade on kasutusel. Tähelepanu võib põhjustada seadme kontrolli kaotamist.
- Jäta elektriga töötavad aiatööriistad eemal kõrvalseisjatest.
- Käitaja või kasutaja vastutab õnnetuste või teistele isikutele või keskkonnale tekkivate ohtude eest.

Elektriohutus

- Ühendage seade ainult sellisesse pistikupessa, mille omadused vastavad andmesildil toodud väärtustele.
- Ärge pange elektriga töötavaid seadmeid vihma või märja ilmaga kokku. Kui vesi satub elektrilise tööriista sisse, suureneb elektrilöögi oht.

Inimeste ohutus

- Ärge kasutage seadet, kui kasutaja tunneb end väsinud või on alkoholi, narkootikumide või ravimite mõju all. Seadme kasutamisel on vajalik täielik keskendumine ja tuleb olla ettevaatlik. Hetke tähelepanematus elektrilise tööriista kasutamisel võib põhjustada õnnetuse ja sellest tuleneva tõsise vigastuse või varalise kahju.
- Oluline on kanda isikukaitsevahendeid. Kandke alati tihedalt istuvaid kaitseprille (vastavalt standardile EN 166 või muudele riiklikele eeskirjadele). Kandke kõrvakaitseid seadme valjuse tõttu. Samuti on soovitatav kasutada kaitsevahendeid, nagu tolumumask, libisemiskindlad turvajalanõud koos pealsetega, kaitsekindad.
- Kandke tihedalt istuvat riietust. Lahtised riided, ehted, sallid võivad jääda kinni masina liikuvatesse osadesse, mis võib põhjustada ohtlikke õnnetusi. Kui kasutajal on pikad juuksed, tuleb need kinnitada ja kinnitada.
- Töö ajal võib seade suure kiirusega erinevaid esemeid välja paisata. Sellega kaasneb vigastuste oht. Soovitatav on kasutada sobivat riietust.

- Enne elektrilise tööriista käivitamist eemaldage kõik mutrivõtmed ja muud seadme reguleerimiseks kasutatavad tööriistad. Elektritööriista pöörlevasse ossa jäetud mutrivõtme kasutamine võib põhjustada vigastusi.
- Vältige tööd ebaloomulikus kehaasendis. Võtke õige ja stabiilne kehahoiak, et vältida tasakaalu kaotamise võimalust. See võimaldab elektrilise tööriista paremat kontrollimist ettearvamatutes olukordades.
- Vältige tahtmatut käivitamist. Veenduge, et toitejuhe on välja tõmmatud ja lüliti on väljalülitatud asendis, enne kui võtate või kannate seadet. Elektritoitega seadme kandmine sõrmega lülitil või vooluvõrku ühendamine sisselülitatud lülitiga võib põhjustada õnnetuse.
- Hoidke käed ja jalad eemal seadme liikuvatest (pöörlevatest) osadest.
- Hoidke ohutusse kaugusesse kõrvalseisjatest. Vaatamata oma olemuselt ohutule konstruktsioonile konstruktsioonise, kasutamine turvameetmeid ja täiendavaid kaitsemeetmeid, on alati olemas jääkvigastuste oht käitamise ajal.
- Ärge kasutage masina puhastamiseks puhastusvahendeid ega alkoholi.
- Töövahendi kinnitussüsteem peab vastama elektritööriista mõõtmetele. Valede mõõtmetega töövahendeid ei saa piisavalt kaitsta ega kontrollida.
- Tuleb kasutada isikukaitsevahendeid. Sõltuvalt töö tüübist kandke kogu nägu katvat kaitsemaski, silmakaitsevahendeid, näiteks kaitseprille. Kaitske silmi töö käigus tekkivate võõrkehade eest. Kaitske hingamisteid tolmu ja aurude eest tolumumaski abil. Pikaajaline kokkupuude müraga võib põhjustada kuulmislangust.
- Veenduge, et kõrvalseisjad on masina tööpiirkonnast ohutusse kaugusesse jäetud. Igaüks, kes on töötava elektrilise tööriista läheduses, peab kasutama isikukaitsevahendeid

- Puhastage regulaarselt seadme ventilatsioonivad.
- Enne iga käivitamist kontrollige, et: - seade on vastavalt juhistele õigesti kokku pandud; - löikeriist on töökorras; tera kinnitust, kahjustusi ja kulumist tuleb regulaarselt kontrollida; - ohutusseadmed (nt löikeseadme kaitse, korpus, käepide, mootorilüliti) on töökorras ja toimivad nõuetekohaselt. Kui masin on välja lülitatud, jääb tera veel mõneks ajaks liikuma. Tuleb olla ettevaatlik.

Laadija ja akupaki ohutusjuhised

- Aku laadimiseks ühendamiseks sisestage aku laadimisseadmesse ja ühendage seejärel laadimisseade vooluallikaga.
- Kaitske laadija vihma ja niiskuse eest. Laadijat tohib kasutada ainult siseruumides.
- Hoidke laadija puhtana.
- Ärge kasutage laadijat tuleohtlikel esemetel ja aluspindadel (nt paberil) ega plahvatusohtliku ja/või tuleohtliku keskkonnaga keskkondades.
- Tagage laadimisel alati piisav ventilatsioon, kuna akust võivad lekkida aurud või elektrolüüt, kui aku on vigastatud ebaõige käsitlemise/kahjustamise tõttu.
- Kui laadimine on lõppenud, tõmmake laadija pistikupesast välja. Ärge jätke seda vooluallikaga ühendatud kauemaks kui vajalik.
- Hoidke ja laadige akut kuivas kohas ja veenduge, et akusse ei satuks vett.
- Hoidke aku ühendused puhtad ja mustusest vabad.
- Kaitske akut löökide ja niiskuse eest ning ärge kunagi avage ega mehaaniliselt kahjustage akut.
- Akupaki laadimistaseme kontrollimiseks vajutage akupakil olevat nuppu ja vajadusel laadige akupakki vastavalt LEDide arvule ja akutööriista eeldatavale tööajale.

Üldine teave

- Enne korvi eemaldamist tuleb mootori välja lülitada, et vältida võimalikke ohte. Järgige alati ohutut vahemaad tera korpuse ja kasutaja vahel, mis on tagatud sobivate käepidemetega. Eriti ettevaatlik on soovitatav olla niitmisel, eriti kallakutel, ja suuna muutmisel. Selleks on soovitatav kanda libisemisvastase tallaga jalatseid ja pikki pükse, et vähendada vigastuste ohtu.
- Korvi eemaldamisel ja suunamuutmisel nõlvadel säilitage stabiilne asend. Sõitke niidukiga alati üle nõlva ja vältige ohutuse tagamiseks niitmist üle 15° kallakutel. Samuti on oluline olla ettevaatlik niiduki tagurdamisel ja tõmbamisel, et vältida komistamist.
- Kui niiduk on eemaldatud, peaks kaitseraud sulgema tagumise tühjendusava, et vältida juhuslikku ligipääsu terale. Kui rohi jääb avausse, on soovitatav niidukit veidi kaugemale liigutada, rohi peaks vabamalt välja kukkuma. See hõlbustab mootori taaskäivitamist. Ärge eemaldage prahti niiduki korpusest ja terast käsitsi või jalgadega, vaid kasutage sobivaid tööriistu, näiteks käsiharja.
- Kogumiskorvi kinnitamisel veenduge, et mootor on välja lülitatud ja lõikeriist on paigal. Tõstke ühe käega kaitsekorvi ja hoidke teise käega korvi käepidemest kinni, riputades selle ülevalt üles. Rohu tõhusa kogumise tagamiseks on soovitatav korvi regulaarselt puhastada, pöörates erilist tähelepanu restidele. Need meetmed aitavad kaasa niiduki ohutuse ja tõhususe säilitamisele.



Juhul, kui seadmel on läbikriipsutatud prügikasti sümbol, tähendab see, et toode on kooskõlas Euroopa direktiivi 2012/19/EU sätetega. Tutvuge elektri- ja elektroonikaseadmete jäätmete kohaliku kogumissüsteemi nõuetega. Tuleb tegutseda vastavalt kohalikele eeskirjadele. Antud toodet ei tohi kõrvaldada koos olmeprügiga. Kasutatud toote nõuetekohane utiliseerimine aitab välistada selle kahjulikku toimet keskkonnale ja inimtervisele.



Toode on valmistatud kvaliteetsetest materjalidest ja komponentidest, mida on võimalik uuesti ringlusse võtta ja taaskasutada.

Seadme kirjeldus (A)

- | | |
|---|---------------------------------|
| 1 Ülemine käepide | 13 Rohukonteiner |
| 2 Vajutushoovad niiduki ülemise osa kinnitamiseks | 13a Plastikust keeled |
| 3 Alumine käepide | 13b Rohukonteineri latid |
| 4 Tagumine klapp | 13c Rohupüüdja käepide |
| 5 Vajutushoovad niiduki alumise osa kinnitamiseks | 14 Kaablihood |
| 6 Käepide kandmiseks | 15 Kaabel |
| 7 Lõikekõrguse reguleerimise hoob | 16 Vabastusnupp |
| 8 Akukate | 17 Käivituskäepide |
| 9 Patareid (ei kuulu komplekti) | 18 Rohu väljapaikamise komplekt |
| 9a Aku vabastamisnupp | 18a Mulšikomplekti klamber |
| 10 Süütevõti | 19 Kaksiklaadija |
| 11 Rattad | 20 Tera |
| 12 Masina korpus | 21 Terapolt |
| | 22 Mootori spindel |

Sisse- ja väljalülitamine (G):

Ärge käivitage seadet mittetäielikult või valesti kokku panduna. Enne käivitamist kontrollige, et kõik ohutusseadised oleksid heas korras.

- 1 Asetage seade tasasele pinnale.
 2. Tõstke seadme korpuse kaas (8) ja sisestage laetud akud (9).
 3. Sisestage süütevõti (10) aku (9) kõrval asuvasse vastavasse avasse. (Süütevõtit saab sisestada ainult ühes asendis).
 4. Veenduge, et tera ei puutuks enne seadme sisselülitamist vastu mingeid esemeid.
 5. seadme sisselülitamiseks vajutage lukustuse vabastamisnuppu (16) ja hoidke seda all, seejärel vajutage käivitushooba (17). Seejärel vabastage lukustuse vabastamisnupp (16).
 6. Seadme väljalülitamiseks laske käivitushoob (17) lahti. Pärast seadme väljalülitamist jätkab tera pöörlemist mõne sekundi jooksul. Ärge puudutage liikuvat tera.
- Akupaki (9) seadmest eemaldamiseks vajutage akupaki vabastamisnuppu (9a) ja tõmmake akupakk välja.
- Akupaketi (9) sisestamiseks lükake seda mööda juhet.

Rohukonteineri (E) eemaldamine

1. Rohukonteineri (13) paigaldamiseks tõstke tagaluuk (4) üles ja riputage rohkonteiner (13) mõlema käepideme külge.
2. Voldige tagaluuk (4) üle rohkonteineri (13).
3. Rohukonteineri (13) eemaldamiseks tõstke kate (4) üles ja eemaldage rohkonteiner (13).
4. Voldige tagumine kate (4) tagasi masina korpuse (12) peale.

Kõrguse reguleerimine (F):

1. Võtke kinni lõikekõrguse reguleerimise hoovast (7) ja libistage see ratškemhanismi mööda soovitud lõikekõrgusele.

Masinal on lõikekõrguse (F) reguleerimiseks 6 asendit:

- 25 mm/35 mm - madal lõikekõrgus
 - 45 mm/55 mm - keskmine lõikekõrgus
 - 65 mm/75 mm - suur lõikekõrgus
- Õige lõikekõrgus on vahemikus 25-45 mm dekoratiivse muru puhul ja umbes 45-65 mm kasutusmuru puhul.

Säilitamine (K)

- Vabastage survekang (2+5) ja klappige ülemine varras (1) ja alumine varras (3) kokku, et seade võtab vähem ruumi. Seda tehakse olge ettevaatlik, et seadme juhtmeid ei pigistataks.

- Hoidke seadet kuivas kohas, lastele kättesaamatus kohas.
- Enne seadme hoidmist kinnises ruumis laske mootoril lasta jahtuda.

MOUNING

Alumise varda kokkupanek (B)

1. Voldige alumine kinnitus (3) ülespoole.
2. Keerake alumisi hoobasid (5) kinnitamiseks päripäeva.
3. Lukustage kinnitushoovad (5), lükake neid alumise riba (3) suunas. Tõmmake kinnitushoovad tugevalt ja seejärel joondage need varda külge, nii et pingutamist saab teostada keskmise jõuga. Kui see ei õnnestu, jätkake pingutushoova keeramist päripäeva või tuleb seda lõdvendada, keerates seda vastupäeva.

Ülemise varda paigaldamine (C)

- Kinnitage ülemine varras (1) kruvide (2b), seibide (2a) ja ülemiste hoobade (2) abil alumisest varrast (3) paremale ja vasakule. Vabastusnupp (16) peab olema niitmise suunas paremal pool. Võimalikud on kaks asendit.
2. Keerake kinnitushooba (2) päripäeva.
 3. Lukustage kinnitushoob (2), vajutades neid riba (3) suunas. Pingutushoovad peavad toetuma vardale nii, et pingutamine oleks võimalik keskmise jõuga. Kui see ei õnnestu, jätkake pingutushoobade keeramist päripäeva või lõdvendage neid vastupäeva keerates.

Rohukonteineri kokkupanek (E)

1. Klõpsake rohukonteineri (13) käepide (13c) rohukonteineri (13) ülemisse ossa.
2. Asetage rohukonteineri (13) plastist sangad (13a) rohukonteineri (13b) rõõbastele.

Rohu väljapaiskamise komplekt (J)

Rohu väljapaiskamise komplekti kinnitamine

1. Eemaldage rohu konteiner.
2. Tõstke tagumine klapp üles
3. Lükake rohu väljapaiskamise komplekt (18) oma kohale. Klamber (18a) klõpsatab paika. Rohu väljapaiskamise komplekti (J) eemaldamine
4. Tõmmake klamber (18a) välja ja eemaldage rohu väljapaiskamise komplekt (18).

Puhastamine ja hooldus:

Enne hooldust ja hoiustamist eemaldage aku seadmest! Kehaosade kokkupuude liikuva löikeelemendiga võib põhjustada vigastusi, invaliidsust või surma!

Pidage meeles, et löikeelement liigub veel mõnda aega pärast mootori väljalülitamist.

- Puhasus ja korrapärane hooldus on masina nõuetekohaseks toimimiseks hädavajalik. Soovitame niidukit pärast iga kasutamist põhjalikult puhastada, kasutada selleks harja, lappi või suruõhku. Oluline on vältida puhastusvahendite või lahustite kasutamist ning jälgida, et vesi ei satuks seadmesse.
- Enne iga kasutamist on hea mõte hoolikalt kontrollida niidukit nähtavate defektide, näiteks lahtiste või kahjustatud osade suhtes. Oluline on kontrollida regulaarselt kõigi poltide ja kruvide pinguldatust, sest kulunud või liiga vähe pingutatud osad võivad põhjustada mootori või raami ohtlikke kahjustusi.
- Jälgige regulaarselt korpuse, ohutusseadiste ja kogumiskorvi seisundit kahjustuste suhtes ning kontrollige nende kinnituse stabiilsust. Kui märkate mingeid kõrvalekaldeid, on soovitatav need kohe parandada või asendada uutega.
- Pärast niitmist oodake enne niiduki hoivulepanekut ära, kuni mootor on jahtunud. Kui tera pörkab kõvasti vastu võõrkeha, peatage niiduk kohe ja pöörduge hooldustehniku poole.
- Kontrollige niidukit pärast iga niitmist hoolikalt ja eemaldage kõik taimeprahid ratastest, aukudest ja korpuse alt (terakambri). Kasutage selleks õrna tööriista, näiteks puu- või plasttükki, vältides kõvasid tööriistu, mis võivad masinat kahjustada.
- Tulekahjuohu vähendamiseks puhastage mootoriruumi regulaarselt taimeprahist. Kõik mootorit ümbritsevad rohelised jäägid tuleks eemaldada ja seda on soovitatav teha vähemalt pärast niitmishooaega. Intensiivse kasutamise korral on soovitatav puhastamine korrata 1-2 korda

hooaja jooksul, tagades, et tera on alati terav ja hästi tasakaalustatud, et tagada optimaalne lõikamine.

Tehnilised andmed:

Akupinge 2 x 18 V, ühildub OneDNA18V-seeriaga, Blaupunkt BP1840, BP1850.

Tühikäigukiirus $n=2900$ minutit¹

Lõikelaius: 430 mm

Lõikekõrgus: 25/35/45/60/75 mm

Mahuti maht muru lõikamiseks: 30l

Kaal ilma aku/laadijata 10,6 kg

Kaitseaste IP40

Müra

helirõhutase (LpA): 76.2 dB (A); K= 3dB(A)

Mõõdetud helivõimsuse tase (LpA): 87 dB (A); K= 2.33dB(A)

tagatud helivõimsuse tase (LpA): 96 dB (A);

SVARĪGA INFORMĀCIJA

Lai panāktu visaugstāko apmierinātību, izbaudītu izstrādājuma veikspēju un iepazītos ar visām tā funkcijām un īpašībām, pirms izstrādājuma lietošanas izlasiet šo rokasgrāmatu. Pirms ierīces lietošanas izlasiet rokasgrāmatu un ievērojiet tajā ietvertos norādījumus. Ražotājs nav atbildīgs par bojājumiem, kas radušies, lietojot ierīci neatbilstoši tās paredzētajam lietojumam vai nepareizi lietojot. Saglabājiet lietošanas instrukciju, lai to varētu izmantot arī vēlāk, lietojot izstrādājumu.

- Neiegremdējiet ierīci ūdenī vai citā šķidrumā.
- Ierīce regulāri jātīra, kā aprakstīts sadaļā Ierīces tīrīšana un apkope.
- Nenovietojiet ierīci tuvu karstuma avotiem, liesmām, elektriskajam elementam. Nenovietojiet ierīci uz citas ierīces.
- Esiet īpaši uzmanīgi, lietojot ierīci, ja tās tuvumā ir bērni vai mājdzīvnieki.
- Neļaujiet bērniem spēlēties ar ierīci.
- Nepakļaujiet ierīci atmosfēras iedarbībai (lietus, saule u. c.) un nelietojiet to mitros apstākļos.
- Lietojiet tikai oriģinālus ierīces piederumus un rezerves daļas vai ražotāja ieteiktas rezerves daļas. Ražotāja neiesniegtu piederumu vai rezerves daļu izmantošana var sabojāt ierīci un apdraudēt lietošanas drošību.
- Uzturiet darba vietu sakoptu un labi apgaismotu.
- Nekārtība un nepietiekams apgaismojums var izraisīt nelaimes gadījumus.
- Neuzmanības mirklis draud zaudēt kontroli pār darbarīku.
- Nepielieciet elektrisko instrumentu pārāk lielā leņķī. Uzturiet stabilu stāju un līdzsvaru. Tas palīdzēs jums labāk kontrolēt elektroinstrumentu neparedzētās situācijās.
- Izvairieties no nejaušas elektroinstrumenta iedarbināšanas. Pirms elektroinstrumenta pieslēgšanas elektrotīklam

pārbaudiet, vai strāvas slēdzis ir izslēgtā stāvoklī.

Elektroinstrumenta turēšana ar pirkstu uz sprūda vai elektroinstrumenta pieslēgšana elektrotīklam pēc tam, kad tas jau ir ieslēgts, var izraisīt nelaimes gadījumus.

- Valkājiet piemērotu apģērbu. Darba laikā nestrādājiet brīvā apģērbā un nenēsājiet rotaslietas. Sargājiet matus, apģērbu un cimdus no kustīgajām daļām. Elektroinstrumenta kustīgās daļas var aizķert un ievilkst vaļēju apģērbu, rotaslietas vai garus matus.
- Pirms darbināšanas no elektriskajiem instrumentiem izņemiet uzgriežņus vai instrumentus. Instruments vai uzgriežņu atslēga, kas joprojām ir savienota ar elektroinstrumenta rotējošo daļu, var radīt traumas.
- Strādājot ar elektriskajiem instrumentiem, esiet piesardzīgi, koncentrējieties darbam un rīkojieties ar veselo saprātu. Nelietojiet elektroinstrumentu, ja esat noguris vai narkotisko vielu, alkohola vai medikamentu iespaidā. Pat mirkli neuzmanības, strādājot ar elektroinstrumentu, draud nopietns nelaimes gadījums.
- Neļaujiet bērniem atrasties darba zonā un neļaujiet bērniem vilkt strāvas vadu, jo tas var izraisīt nopietnas traumas.
- Pirms jebkādu regulēšanas darbu veikšanas, piederumu maiņas vai elektroinstrumenta novietošanas glabāšanai, pārslēdziet slēdzi izslēgtā stāvoklī, lai atvienotu elektroinstrumentu no strāvas padeves. Šādi piesardzības pasākumi samazina risku nejauši iedarbināt elektroinstrumentu.
- Darbarīku izmantojiet tikai sausā, labi apgaismotā vidē.
- Šo instrumentu nedrīkst lietot personas, kas jaunākas par 16 gadiem.

	Iepazīties ar lietotāja rokasgrāmatu.		Lietot ausu aizsargus
	Vispārīgi brīdinājumi		Lietot aizsargcimdus
	Ugunsgrēka draudi		Lietot aizsargapģērbu
	Elektriskās strāvas trieciena risks		Lietot aizsargmasku
	Lietot aizsargbrilles		Lietot līdzekļus elpceļu aizsardzībai

- 1 Brīdinājums par bīstamību. Lietojiet īpaši piesardzīgi.
2. Svarīgi, izlasiet instrukciju un ievērojiet brīdinājumus.
- 3 Lietojiet aizsargbrilles.
4. Lietojiet aizsargājošus ausu aizsarglīdzekļus.
5. Vienmēr atvienojiet no strāvas padeves pirms remonta vai apkopi. Kabeļa bojājuma gadījumā nekavējoties atvienojiet ierīci no sienas kontaktligzdas.
6. Neizmantojiet ierīci lietū vai paaugstināta mitruma apstākļos.

Darba drošība :

- Ierīce ir paredzēta zāles pļaušanai. Neizmantojiet ierīci citām darbībām.
- Uzturiet darba zonu sakoptu un labi apgaismotu. Nekārtība un slikts apgaismojums veicina nelaimes gadījumu rašanos.
- Pirms darba uzsākšanas sagatavojiet un iztīriet laukumu, noņemiet visus akmeņus, zarus, vadus un citus svešķermeņus, kas izvirzās no zemes un par kuriem pastāv pakļupšanas risks.
- Esiet īpaši uzmanīgi, ja strādājat slīpā reljefā vai nogāzēs.
- Neizmantojiet ar elektroenerģiju darbināmu ierīci

sprādzienbīstamā vidē, ko rada uzliesmojoši šķidrums, gāzes vai putekļi. Ierīce var radīt dzirksteles, kas var aizdedzināt putekļus vai dūmus.

- Neļaujiet bērniem vai novērotājiem atrasties vietās, kur tiek lietots ar elektroenerģiju darbināms aparāts. Traucējot uzmanību, var tikt zaudēta ierīces kontrole.
- Atstājiet ar elektrību darbināmu dārza aprīkojumu tālu no apkārtējiem cilvēkiem.
- Operators vai lietotājs ir atbildīgs par nelaimes gadījumiem vai apdraudējumiem, kas radušies citām personām vai videi.

Elektrodrošība

- Ierīci pieslēdziet tikai tādai rozetei, kuras raksturlielumi atbilst uz nominālplāksnītes norādītajiem rādītājiem.
- Nepakļaujiet ar elektrību darbināmu aprīkojumu lietus vai mitras vides iedarbībai. Ja elektroinstrumentā iekļūst ūdens, palielinās elektriskās strāvas trieciena risks.

Cilvēka drošība

- Nedarbiniet iekārtu, ja lietotājs jūtas noguris vai ir alkohola, narkotiku vai medikamentu ietekmē. Lietojot ierīci, ir nepieciešama pilnīga koncentrēšanās un jāievēro piesardzība. Neuzmanības mirklis, lietojot elektroinstrumentu, var izraisīt negadījumu un tā rezultātā smagas traumas vai materiālos zaudējumus.
- Ir svarīgi lietot individuālos aizsardzības līdzekļus. Vienmēr valkājiet cieši pieguļošas aizsargbrilles (saskaņā ar EN 166 vai citiem valsts noteikumiem). Lietojiet ausu aizsarglīdzekļus, ņemot vērā iekārtas skaļumu. Ieteicams lietot arī tādus aizsardzības līdzekļus kā putekļu maska, neslidošus drošības apavus ar virsmu, aizsargcimds.
- Valkājiet cieši pieguļošu apģērbu. Valīgs apģērbs,

rotaslietas, šalles var aizķerties par iekārtas kustīgajām daļām, kas var izraisīt bīstamus nelaimes gadījumus. Ja lietotājam ir gari mati, tie ir jānostiprina un jānostiprina.

- Darbības laikā ierīce lielā ātrumā var izmest dažādus priekšmetus. Pastāv risks gūt traumas. Ieteicams lietot piemērotu apģērbu.
- Pirms elektroinstrumenta iedarbināšanas noņemiet visus uzgriežņus un citus instrumentus, kas izmantoti ierīces regulēšanai. Atstājot uzgriežņu atslēgu rotējošā elektroinstrumenta daļā, var gūt traumas.
- Izvairieties no darba nedabiskā ķermeņa stāvoklī. Ieņemiet pareizu un stabilu stāju, lai izvairītos no līdzsvara zaudēšanas iespējas. Tas ļaus labāk kontrolēt elektroinstrumentu neparedzamās situācijās.
- Izvairieties no nejaušas iedarbināšanas. Pirms iekārtas pacelšanas vai pārnēsāšanas pārliedzieties, ka strāvas vads ir atvienots no tīkla un slēdzis ir izslēgtā stāvoklī. Elektriskās iekārtas pārnēsāšana ar pirkstu uz slēdža vai pieslēgšana elektrotīklam ar ieslēgtu slēdzi var izraisīt nelaimes gadījumu.
- Turiet rokas un kājas tālāk no kustīgām (rotējošām) iekārtas daļām.
- Ievērojiet drošu attālumu no apkārtējiem cilvēkiem. Neraugoties uz pēc būtības drošu konstrukciju, pati konstrukcija, tās lietošana drošības pasākumi un papildu aizsardzības pasākumi, vienmēr pastāv risks, ka ekspluatācijas laikā var rasties atlikušie ievainojumi.
- Mašīnas tīrīšanai neizmantojiet mazgāšanas līdzekļus vai spirtu.
- Darba rīka stiprinājuma sistēmai jāatbilst elektroinstrumenta izmēriem. Darba rīkus ar nepareiziem izmēriem nevar pietiekami aizsargāt vai kontrolēt.

- Jāizmanto individuālie aizsardzības līdzekļi. Atkarībā no darba veida jālieto aizsargmaska, kas nosedz visu seju, acu aizsardzības līdzekļi, piemēram, aizsargbrilles. Aizsargājiet acis no darba laikā gaisā radītiem svešķermeņiem. Aizsargājiet elpošanas ceļus no gaisā esošajiem putekļiem un tvaikiem ar pretputekļu masku. Ilgstoša trokšņa iedarbība var izraisīt dzirdes zudumu.
- Nodrošiniet, lai apkārtējie cilvēki atrastos drošā attālumā no mašīnas darba zonas. Ikvienai personai, kas atrodas strādājoša elektroinstrumenta tuvumā, jālieto individuālie aizsardzības līdzekļi.
- Regulāri tīriet iekārtas ventilācijas atveres.
- Pirms katras palaišanas pārbaudiet, vai: - iekārta ir pareizi samontēta saskaņā ar instrukcijām; - griezējinstrumentis ir darba kārtībā; regulāri jāpārbauda asmeņu stiprinājums, bojājumi un nolietojums; - drošības ierīces (piemēram, griezējierīces aizsargs, korpuss, rokturis, motora slēdzis) ir darba kārtībā un darbojas pareizi. Kad mašīna ir izslēgta, asmens vēl kādu laiku ir kustībā. Jāievēro piesardzība.

Drošības norādījumi attiecībā uz lādētāju un akumulatoru

- Lai pievienotu akumulatoru uzlādei, ievietojiet akumulatoru lādētājā un pēc tam pievienojiet lādētāju strāvas avotam.
- Pasargājiet lādētāju no lietus un mitruma. Lādētāju drīkst lietot tikai telpās.
- Uzturiet lādētāju tīru.
- Nelietojiet lādētāju uz uzliesmojošiem priekšmetiem un substrātiem (piemēram, papīra) vai vidē ar sprādzienbīstamu un/vai uzliesmojošu vidi.
- Uzlādes laikā vienmēr nodrošiniet atbilstošu ventilāciju, jo no akumulatora var noplūst dūmi vai elektrolīts, ja akumulators ir bojāts nepareizas apiešanās/ bojājumu dēļ.

- Pēc uzlādes pabeigšanas atvienojiet lādētāju no sienas kontaktligzdas. Neatstājiet to pieslēgtu strāvas avotam ilgāk, nekā nepieciešams.
- Uzglabājiet un uzlādējiet akumulatoru sausā vietā un pārliecinieties, ka tajā nav iekļuvis ūdens.
- Uzturiet akumulatora savienotājus tīrus un tīrus no netīrumiem.
- Sargājiet akumulatoru no triecieniem, mitruma un nekad neatveriet vai mehāniski nebojājiet akumulatoru.
- Lai pārbaudītu akumulatora uzlādes līmeni, nospiediet pogu uz akumulatora un, ja nepieciešams, uzlādējiet akumulatoru atbilstoši LED indikatoru skaitam un paredzamajam akumulatora darbības laikam.

Vispārīga informācija

- Pirms groza noņemšanas ir nepieciešams izslēgt dzinēju, lai izvairītos no iespējamiem apdraudējumiem. Vienmēr ievērojiet drošu attālumu starp asmeņa korpusu un lietotāju, ko nodrošina piemēroti rokturi. Īpaši uzmanīgiem ieteicams būt pļaušanas laikā, jo īpaši uz nogāzēm, kā arī mainot virzienu. Šim nolūkam ieteicams valkāt apavus ar neslīdošu zoli un garas bikses, lai samazinātu traumu risku.
- Noņemot grozu un mainot virzienu uz nogāzēm, saglabājiet stabilu pozīciju. Drošības apsvērumu dēļ vienmēr brauciet ar pļaujmašīnu pāri nogāzei un izvairieties no pļaušanas nogāzēs ar slīpumu virs 15°. Ir svarīgi būt uzmanīgiem arī braucot atpakaļgaitā un velkot pļaujmašīnu, lai izvairītos no pakļupšanas.
- Kad pļaujmašīna ir noņemta, bampera aizsargam jāaizver aizmugurējā izmešanas atvere, lai novērstu nejaušu piekļuvi asmeņiem. Ja atvērumā paliek zāle, ieteicams pļaujmašīnu pārvietot kādu attālumu, zālei vajadzētu izkrist brīvāk. Tas

atvieglos dzinēja atkārtotu iedarbināšanu. Neizberiet gružus no pļaujmašīnas korpusa un asmeņa ar rokām vai kājām, bet izmantojiet piemērotus instrumentus, piemēram, rokas birsti.

- Pievienojot savākšanas grozu, pārliedzinieties, ka motors ir izslēgts un pļaušanas rīks ir nekustīgs. Ar vienu roku paceliet bampera aizsargu un ar otru roku turiet grozu par rokturi, piekārtojot to augšpusē. Lai nodrošinātu efektīvu zāles savākšanu, ieteicams regulāri tīrīt grozu, īpašu uzmanību pievēršot režģiem. Šie pasākumi palīdzēs saglabāt pļaujmašīnas drošību un efektivitāti.



Ja uz ierīces ir pārsvītrotā atkritumu konteinera zīme, tas nozīmē, ka uz to attiecas Eiropas direktīvas 2012/19/ES prasības. Iepazīstieties ar prasībām par vietējo elektrisko un elektronisko iekārtu atkritumu savākšanas sistēmu. Rīkojieties atbilstoši vietējo tiesību aktu noteikumiem. Šo izstrādājumu nedrīkst izmest kopā ar parastiem mājāsaimniecības atkritumiem. Vecā izstrādājuma pareiza likvidēšana novērš iespējamās negatīvas sekas apkārtējai videi un cilvēku veselībai.



Izstrādājums ir izgatavots no augstas kvalitātes materiāliem un sastāvdaļām, ko var pakļaut otrreizējai pārstrādei un izmantot atkārtoti.

Ierīces apraksts (A)

- | | |
|---|-------------------------------------|
| 1 Augšējais rokturis | 13 Zāles konteiners |
| 2 Pļaujmašīnas pļaujmašīnas augšējās daļas nostiprināšanas spiedes sviras | 13a Plastmasas cilpiņas |
| 3 Apakšējais rokturis | 13b Zāles konteineru stieņi |
| 4 Aizmugurējais atloks | 13c Zāles savācēja rokturis |
| 5 Pļaujmašīnas apakšējās daļas nostiprināšanas spiedes sviras | 14 Kabeļa turētājs |
| 6 Rokturis pārnēsāšanai | 15 Kabelis |
| 7 Pļaušanas augstuma regulēšanas svira | 16 Atbrīvošanas poga |
| 8 Akumulatora vāks | 17 Startera rokturis |
| 9 Akumulatori (nav iekļauti komplektācijā) | 18 Zāles izmešanas komplekts |
| 9a Atbrīvošanas poga uz akumulatora | 18a Mulčēšanas komplekta kronšteins |
| 10 Aizdedzes atslēga | 19 Dubultais lādētājs |
| 11 Riteņi | 20 Asmeņi |
| 12 Mašīnas korpuss | 21 Asmeņa skrūve |
| | 22 Motora vārpsta |

Ieslēgšana un izslēgšana (G):

Neiedarbiniet nepilnīgi vai nepareizi samontētu ierīci. Pirms palaišanas pārbaudiet, vai visas drošības sastāvdaļas ir labā stāvoklī.

- 1 Novietojiet ierīci uz līdzenas virsmas.
- 2 Paceliet ierīces korpusa vāku (8) un ievietojiet uzlādētās baterijas (9).
- 3 Ievietojiet aizdedzes atslēgu (10) attiecīgajā atverē blakus akumulatoram (9). (Aizdedzes atslēgu var ievietot tikai vienā pozīcijā).
- 4 Pirms ierīces ieslēgšanas pārliecinieties, ka asmeņi nesaskaras ar nekādiem priekšmetiem.
- 5 Lai ieslēgtu ierīci, nospiediet bloķēšanas atbrīvošanas pogu (16) un turiet to nospiestu, pēc tam nospiediet iedarbināšanas sviru (17). Pēc tam atbrīvo bloķēšanas atbrīvošanas pogu (16).
- 6 Lai izslēgtu ierīci, atlaidiet starta sviru (17).

Pēc ierīces izslēgšanas asmens turpina griezties dažas sekundes. Nepieskarieties kustīgajam asmenim. Lai no ierīces izņemt akumulatoru bloku (9), nospiediet akumulatora bloka atbrīvošanas pogu (9a) un izvelciet akumulatoru bloku.

Lai ievietotu akumulatoru komplektu (9), virziet to gar vadīkli.

Zāles konteineru (E) izņemšana

- 1 Lai uzstādītu zāles tvertni (13), paceliet aizmugurējās durvis (4) un uzkariniet zāles tvertni (13) uz abiem rokturiem.
- 2 Aizmugurējās durvis (4) salieciet virs zāles konteineru (13).
- 3 Lai noņemtu zāles konteineru (13), paceliet vāku (4) un noņemiet zāles konteineru (13).
- 4 Atlieciet aizmugurējo vāku (4) atpakaļ uz mašīnas korpusa (12).

Augstuma regulēšana (F):

- 1 Satveriet pļaušanas augstuma regulēšanas sviru (7) un pāvīziet to garām sprūdrata mehānismam līdz vēlamajam pļaušanas augstumam.

Mašīnai ir 6 pozīcijas griešanas augstuma (F) regulēšanai:

25 mm/35 mm - zems griešanas augstums

45 mm/55 mm - vidējais griešanas augstums

65 mm/75 mm - liels griešanas augstums

Pareizais pļaušanas augstums ir no 25 līdz 45 mm dekoratīvajam zālienam un aptuveni 45-65 mm lietderīgajam zālienam.

Uzglabāšana (K)

- Atlaidiet spiediena sviru (2+5) un salieciet augšējo stieni (1) un apakšējo stieni (3) kopā, lai ierīce aizņem mazāk vietas. To darot, jāuzmanās, lai nesaspiestu ierīces kabeļus.
- Ierīci uzglabājiet sausā, bērniem nepieejamā vietā.
- Pirms ierīces uzglabāšanas slēgtā telpā ļaujiet motoram atdzist.

UZSTĀDĪŠANA**Apakšējā stieņa montāža (B)**

1. Nolieciet apakšējo stiprinājumu (3) uz augšu.
2. Pagrieziet apakšējās sviras (5) pulksteņrādītāja kustības virzienā, lai tās nostiprinātu.
3. Nostipriniet fiksācijas sviras (5), virziet tās uz apakšējo stieni (3). Stingri pavelciet stiprinājuma sviras un pēc tam pielīdziniet tās stienim, lai pievilksanu varētu veikt ar vidēju spēku. Ja tas neizdodas, turpiniet griezt pievilksanas sviras pulksteņrādītāja kustības virzienā vai arī tās jāatbrīvo, griežot pretēji pulksteņrādītāja kustības virzienam.

Augšējā stieņa uzstādīšana (C)

- Piestipriniet augšējo stieni (1), izmantojot skrūves (2b), paplāksnes (2a) un augšējās sviras (2) pa labi un pa kreisi no apakšējā stieņa (3). Atbrīvošanas pogai (16) jāatrodas labajā pusē pļaušanas virzienā. Iespējami divi stāvokļi.
2. Pagrieziet fiksācijas sviru (2) pulksteņrādītāja kustības virzienā.
 3. Bloķējiet fiksācijas sviras (2), nospiežot tās stieņa (3) virzienā. Spriegošanas svirām jābalstās pret stieni tā, lai būtu iespējama pievilksana ar vidēju spēku. Ja tas neizdodas, turpiniet griezt pievilksanas sviras pulksteņrādītāja rādītāja kustības virzienā vai atslābiniet tās, griežot pretēji pulksteņrādītāja kustības virzienam.

Zāles konteinera (E) montāža

1. Zāles konteinera (13c) rokturi (13c) ieskrūvējiet zāles konteinera (13) augšdaļā.
2. Uzlieciet zāles konteinera (13) plastmasas cilpiņas (13a) uz zāles konteinera (13b) stieņiem.

Zāles izmešanas komplekts (J)

Zāles izmešanas komplekta nostiprināšana

1. Noņemiet zāles tvertni.
2. Paceliet augšup aizmugurējo atloku.
3. Ievietojiet zāles izmešanas komplektu (18) savā vietā. Kronšteins (18a) tiks iestiprināts savā vietā.

Zāles izmešanas komplekta noņemšana (J)

4. Izvelciet kronšteinu (18a) un noņemiet zāles izmešanas komplektu (18).

Tīrīšana un apkope:

Pirms apkopes un uzglabāšanas no ierīces izņemiet akumulatoru! Ķermeņa daļu saskare ar kustīgo pļaušanas elementu var izraisīt traumas, invaliditāti vai nāvi!

Atcerieties, ka pļaušanas elements turpina kustību vēl kādu laiku pēc dzinēja izslēgšanas.

- Lai iekārta darbotos pareizi, ir svarīgi nodrošināt tīrību un regulāru apkopi. Mēs iesakām pļaujmašīnu pēc katras lietošanas reizes rūpīgi iztīrīt, izmantojot birsti, drānu vai saspiestu gaisu. Ir svarīgi izvairīties no tīrīšanas līdzekļu vai šķīdinātāju lietošanas un nodrošināt, lai ierīcē nenokļūst ūdens.
- Pirms katras lietošanas reizes ir ieteicams rūpīgi apskot pļaujmašīnu, lai konstatētu redzamus defektus, piemēram, vaļīgas vai bojātas detaļas. Svarīgi ir regulāri pārbaudīt visu skrūvju un bultskrūvju pievilksanu, jo nolietotas vai nepietiekami pievilktas sastāvdaļas var izraisīt bīstamus dzinēja vai rāmja bojājumus.
- Regulāri uzraugiet korpusa, drošības elementu un savākšanas grozu stāvokli, lai konstatētu bojājumus, un pārbaudiet to stiprinājuma stabilitāti. Ja pamanāt jebkādas novirzes, ieteicams tos

- nekavējoties salabot vai nomainīt pret jauniem.
- Pēc pļaušanas pirms pļaujmašīnas novietošanas glabāšanā pagaidiet, līdz dzinējs atdziest. Ja asmens spēcīgi atsities pret svešķermeni, nekavējoties apstādiniet pļaujmašīnu un konsultējieties ar servisa tehniķi.
- Pēc katras pļaušanas rūpīgi pārbaudiet pļaujmašīnu un no riteņiem, caurumiem un zem korpusa (asmeņu nodalījuma) noņemiet augu atliekas. Izvairieties no cietiem darbarīkiem, kas var sabojāt mašīnu, un izmantojiet smalku rīku, piemēram, koka vai plastmasas gabalu, lai to izdarītu.
- Lai samazinātu ugunsgrēka risku, regulāri attīriet dzinēja nodalījumu no augu atliekām. Visi zaļie atlikumi ap dzinēju ir jānovāc, un šo darbību ieteicams veikt vismaz pēc pļaušanas sezonas. Intensīvi lietojot, ieteicams atkārtot tīrīšanu 1-2 reizes sezonas laikā, nodrošinot, ka asmens vienmēr ir ass un labi sabalansēts, lai garantētu optimālu pļaušanu.

Tehniskie dati:

Akumulatora spriegums 2 x 18 V, saderīgs ar OneDNA18V sēriju, Blaupunkt BP1840, BP1850.

Brīvgaitas ātrums n=2900 min⁻¹

Pļaušanas platums: 430 mm

Pļaušanas augstums: 25/35/45/60/75 mm

Tvertnes tilpums nopļautajai zālei: 1,5 kg: 30l

Svars bez akumulatora/uzlādētāja 10,6 kg

Aizsardzības pakāpe IP40

Troksnis

skaņas spiediena līmenis (LpA): 76.2 dB (A) ; K= 3dB(A)

mēritais skaņas jaudas līmenis (LpA): 87 dB (A) ; K= 2.33dB(A)

Garantētais skaņas jaudas līmenis (LpA): 96 dB (A) ;

EU – DECLARATION OF CONFORMITY

01/2024/CL7010

MANUFACTURER:

BLAUPUNKT COMPETENCE CENTER

2N-Everpol Sp. z o.o.

ul. Puławska 403A

02-801 Warsaw, Poland

Authorized person to prepare the technical documentation:

Tomasz Jakóbczyk

ul. Puławska 403A

02-801 Warsaw, Poland



Blaupunkt Competence Center
2N-Everpol Sp. z o.o.

Registered office:
Puławska 403A
02-801 Warsaw, Poland

Correspondence address:
Puławska 12
05-532 Baniocha, Poland
Phone +48 22 688 08 00

We declare under our sole responsibility that our product:

Type of device:

Lawn mower

Name:

CL7010

If used for its intended use complies with the essential protection requirements relating to the:

2014/30/EU (EMC Directive)

2006/42/EC (MD Machinery Directive)

2011/65/EU (RoHS Directive) and its Annex II amending directive 2015/863/EU

The assessment of this product has been based on the following standards:

EMC standards:

EN 55014-1:2017+A1:2020 | EN IEC 55014-1:2021

EN 55014-2:2015 | EN IEC 55014-2:2021

MD and LVD standards:

ISO 12100:2010

EN 62841-1:2015

EN 62841-4-3:2021

EN 62233:2008

RoHS standards:

EN IEC 63000:2018

warszawa, 19.01.2024

PREZES Zarządu
Tomasz Jakóbczyk
Tomasz Jakóbczyk
President
authorized person to issue the declaration of conformity

DEKLARACJA ZGODNOŚCI UE

01/2024/CL7010

PRODUCENT:

BLAUPUNKT COMPETENCE CENTER

2N-Everpol Sp. z o.o.

ul. Puławska 403A

02-801 Warszawa, Polska

Osoba upoważniona do przygotowania dokumentacji technicznej:

Tomasz Jakóbczyk

ul. Puławska 403A

02-801 Warszawa, Polska



Blaupunkt Competence Center
2N-Everpol Sp. z o.o.

Dane rejestrowe:
Puławska 403A
02-801 Warszawa, Polska

Adres korespondencyjny:
Puławska 12
05-532 Baniocha, Poland
Telefon +48 22 688 08 00

Deklarujemy, na naszą wyłączną odpowiedzialność, że produkt:

Typ urządzenia:

Kosiarka akumulatorowa

Symbol:

CL7010

Jeżeli jest stosowany zgodnie z przeznaczeniem, spełnia zasadnicze wymagania w zakresie poniższych dyrektyw:

2014/30/WE (Dyrektywa EMC)

2006/42/WE (Dyrektywa maszynowa MD)

2011/65/WE (Dyrektywa RoHS) oraz załącznik II do dyrektywy zmieniającej

2015/863/UE

Ocena tego produktu została oparta na następujących normach:

Normy EMC:

EN 55014-1:2017+A1:2020 | EN IEC 55014-1:2021

EN 55014-2:2015 | EN IEC 55014-2:2021

Normy MD oraz LVD:

ISO 12100:2010

EN 62841-1:2015

EN IEC 62841-4-3:2021

EN 62233:2008

Norma RoHS:

EN IEC 63000:2018

PREZES PRZĄDU
Tomasz Jakóbczyk
President
Tomasz Jakóbczyk

Imię i nazwisko osoby upoważnionej do wystawienia deklaracji zgodności

Warszawa, 19.01.2024



Competence Center

2N-Everpol Sp. z o.o.
ul. Puławska 403A
02-801 Warsaw, Poland
phone: +48 22 688 08 00
e-mail: info@everpol.pl
www.blaupunkt.com

W przypadku pytań lub problemów
prosimy o kontakt z naszym serwisem.
In case of questions or problems
please contact our service.
Tel. 00 48 22 688 08 33
Email: tools@blaupunkt.pl

Wszelkie prawa zastrzeżone. Wszystkie nazwy marek są zarejestrowanymi
znakami towarowymi należącymi do odpowiednich podmiotów.
Dane i parametry techniczne mogą ulec zmianie bez wcześniejszego uprzedzenia.

All rights reserved. All brand names are registered trademarks of their
respective owners. Specifications are subject to change without prior notice.

Enjoy it.