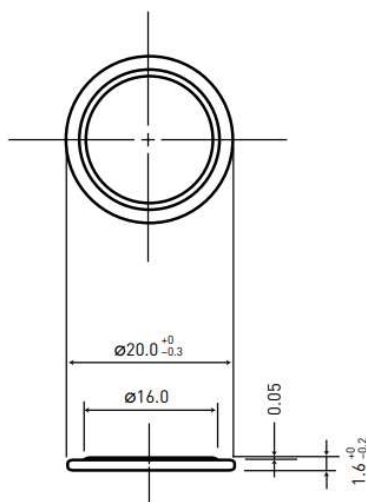


CR2016 Coin Lithium

Ref.no. LT-C-CR2016-V23-09

Date of issue: 1 October, 2023



Type Designation	IEC: CR2016
Made in	China
Chemical System	Lithium-manganese dioxide
Dimensions	Diameter: 19.7–20.0 mm Height: 1.4–1.6 mm
Nominal Voltage	3 V
Average Weight	1.6 g
Compliant to	IEC 60086-1, IEC 60086-2, IEC 60086-5, non-dangerous goods regulation EU directive 2006/66/EC
Heavy metals	No added mercury (Hg), Cadmium (Cd) or Lead (Pb)
Storage Temp. Range	+10°C (50°F)- +25°C (77°F)
Operating temp Range	-30°C (-22°F)- +60°C (140°F)

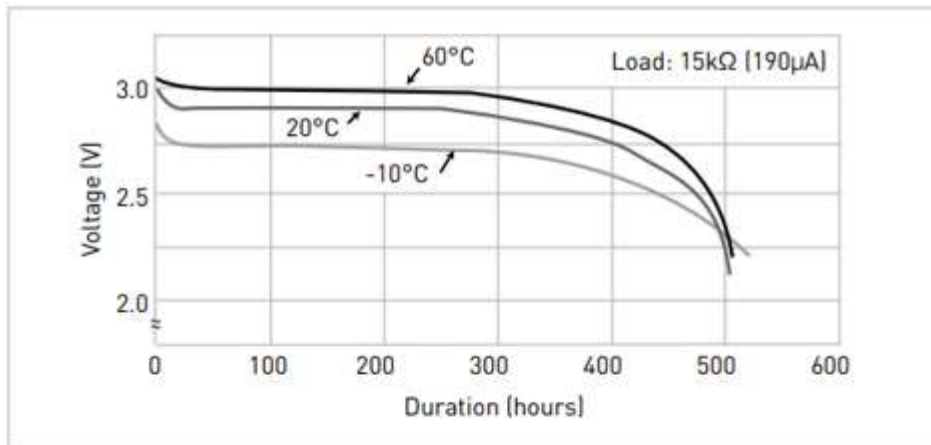
Appearance and terminal

Battery shall be clean and have no dirt, no leakage, and no deformation which may affect their performance and actual use and shall have clearly visible markings.

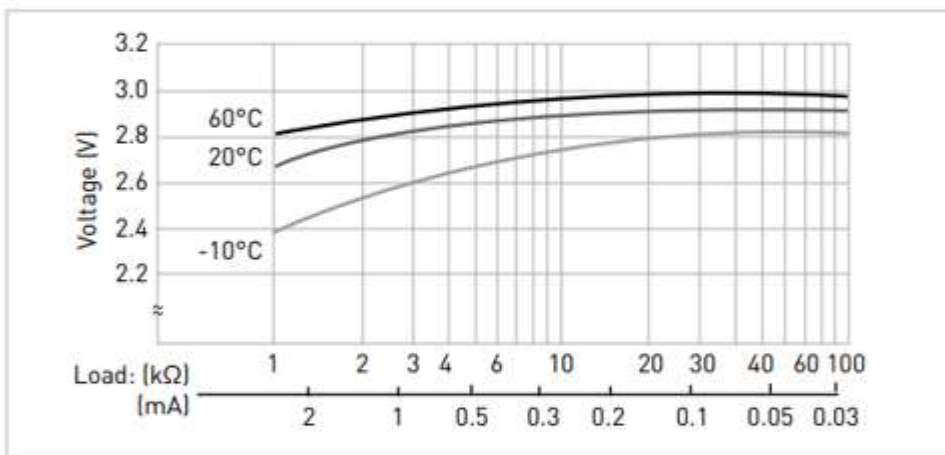
CR2016 Coin Lithium

Discharge curve

DISCHARGE TEMPERATURE CHARACTERISTICS



OPERATING VOLTAGE VS. DISCHARGE CURRENT



CAPACITY VS. LOAD RESISTANCE

