

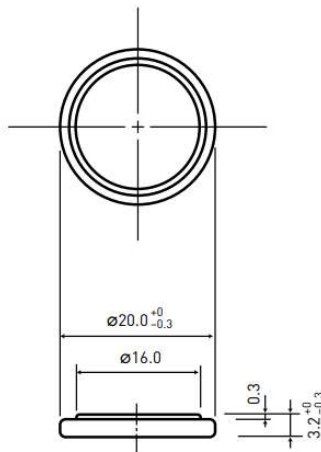
PRODUCT DATA SHEET

CR2032 Coin Lithium



Ref.no. LT-C-CR2032-V23-09

Date of issue: 1 October, 2023



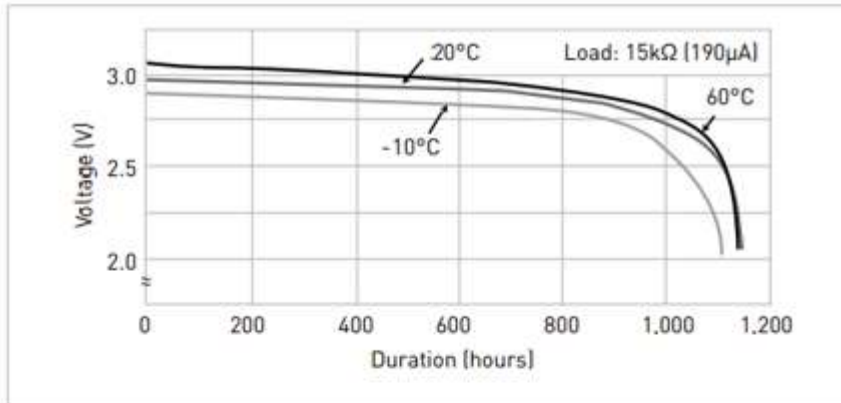
Type Designation	IEC: CR2032
Made in	China
Chemical System	Lithium-manganese dioxide
Dimensions	Diameter: 19.7–20 mm Height: 2.9–3.2 mm
Nominal Voltage	3 V
Average Weight	3.1 g
Compliant to	IEC 60086-1, IEC 60086-2, IEC 60086-5, non-dangerous goods regulation EU directive 2006/66/EC
Heavy metals	No added mercury (Hg), Cadmium (Cd) or Lead (Pb)
Storage Temp. Range	+10°C (50°F)- +25°C (77°F)
Operating temp Range	-30°C (-22°F)- +60°C (140°F)

Appearance and terminal

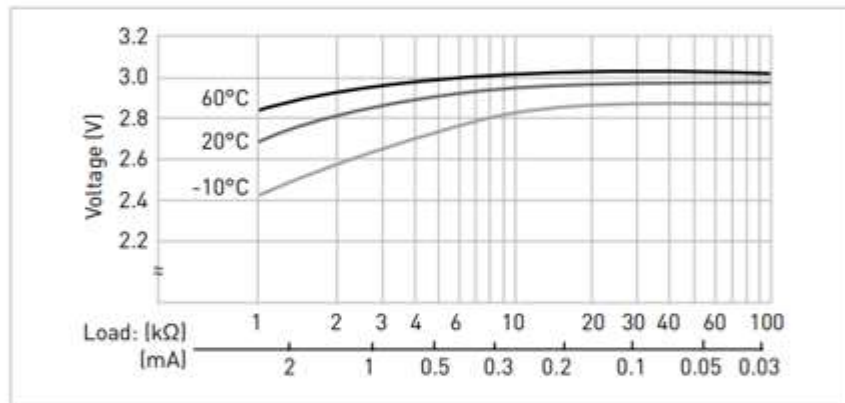
Battery shall be clean and have no dirt, no leakage, and no deformation which may affect their performance and actual use and shall have clearly visible markings.

Discharge curve

DISCHARGE TEMPERATURE CHARACTERISTICS



OPERATING VOLTAGE VS. DISCHARGE CURRENT



CAPACITY VS. LOAD RESISTANCE AT RT

