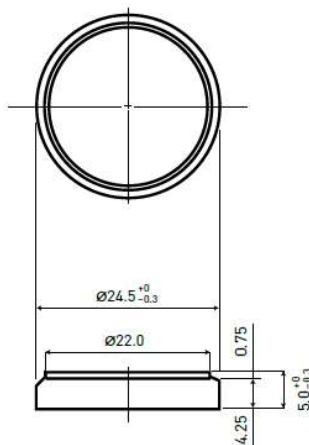


## CR2450 Coin Lithium

Ref.no. LT-C-CR2450-V23-09

Date of issue: 1 October, 2023



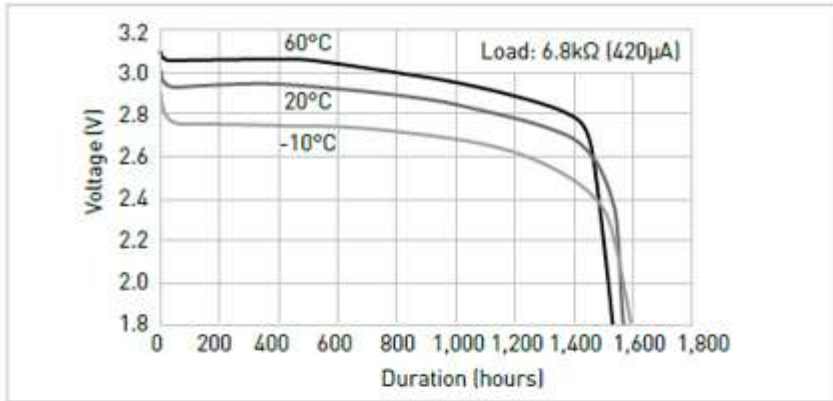
Type Designation	IEC: CR2450
Made in	China
Chemical System	Lithium-manganese dioxide
Dimensions	Diameter: 24.2–24.5 mm Height: 4.7–5.0 mm
Nominal Voltage	3 V
Average Weight	6.3 g
Compliant to	IEC 60086-1, IEC 60086-2, IEC 60086-5, non-dangerous goods regulation EU directive 2006/66/EC
Heavy metals	No added mercury (Hg), Cadmium (Cd) or Lead (Pb)
Storage Temp. Range	+10°C ( 50°F)- +25°C ( 77°F)
Operating temp Range	--30°C ( -22°F)- +60°C ( 140°F)

### Appearance and terminal

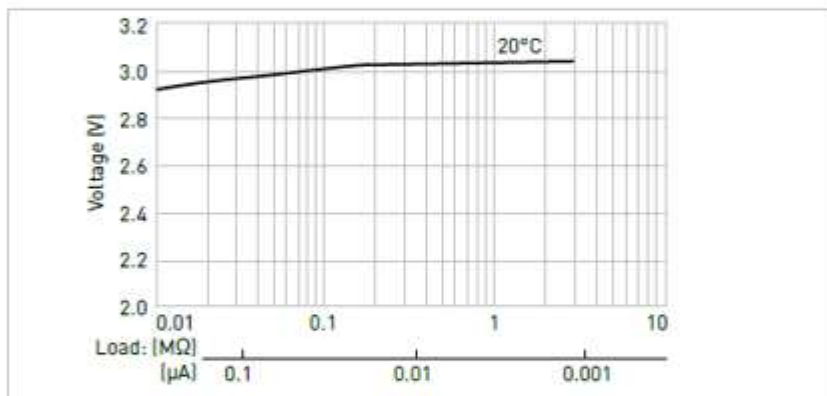
Battery shall be clean and have no dirt, no leakage, and no deformation which may affect their performance and actual use and shall have clearly visible markings.

### Discharge curve

#### DISCHARGE TEMPERATURE CHARACTERISTICS



#### OPERATING VOLTAGE VS. DISCHARGE CURRENT\*1



\*At 50% depth-of-discharge (DoD)

#### OPERATING VOLTAGE UNDER 30MA/50MS LOAD

