

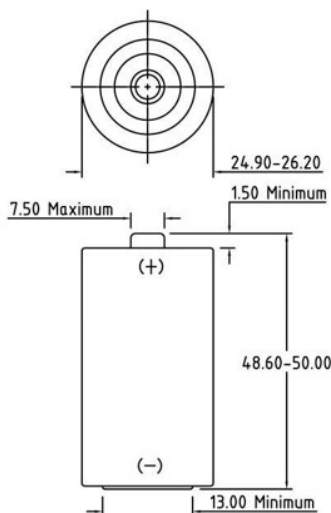
# PRODUCT DATA SHEET



## LR14 ALKALINE PREMIUM

Ref.no. AL-PR-LR14-V23-09

Date of issue: 1 October, 2023



Type Designation	IEC: LR14 / JIS: AM2 / ANSI: 14A/ C
Made in	China
Chemical System	Electrolyte-zinc-manganese dioxide (mercury & cadmium free)
Dimensions	Diameter: 24.0–26.2mm Height: 48.6–50 mm
Nominal Voltage	1.5 V
Average Weight	66.5 g
Compliant to	IEC 60086-1, IEC 60086-2, IEC 60086-5, non-dangerous goods regulation EU directive 2006/66/EC
Heavy metals	No added mercury (Hg), Cadmium (Cd) or Lead (Pb)
Storage Temp. Range	+10°C ( 50°F)- +25°C ( 77°F)
Operating temp Range	-20°C ( -4°F)- +55°C ( 131°F)

### Appearance and terminal

Battery shall be clean and have no dirt, no leakage, and no deformation which may affect their performance and actual use and shall have clearly visible markings.

### Expiry period marking

Expiry date marked on the bottom of the finished battery. (for example: "2027-08" means the expiry date is August 2027)

### Discharge curve

