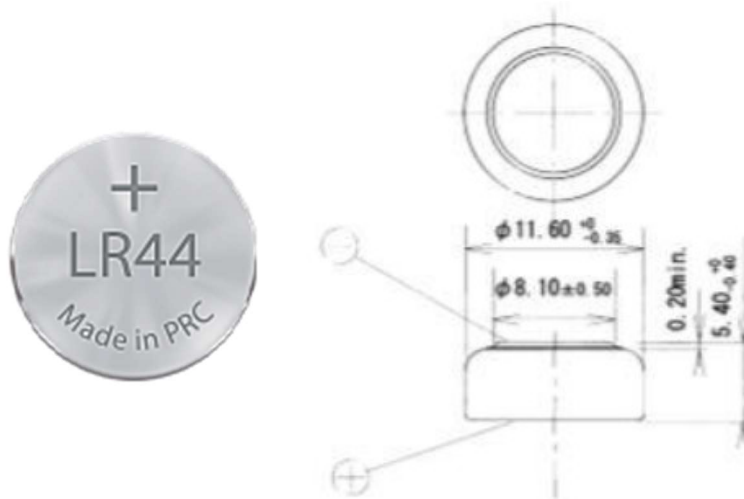


LR44 MICRO ALKALINE

Ref.no. AL-M-LR44-V23-09

Date of issue: 1 October, 2023



Type Designation	IEC: LR44
Made in	China
Chemical System	Electrolyte-zinc-manganese dioxide
Dimensions	Diameter: 11.25-11.6mm Height: 5.0-5.4mm
Nominal Voltage	1.5 V
Average Weight	2 g
Compliant to	IEC 60086-1, IEC 60086-2, IEC 60086-5, non-dangerous goods regulation EU directive 2006/66/EC
Heavy metals	No added mercury (Hg), Cadmium (Cd) or Lead (Pb)
Storage Temp. Range	+10°C (50°F)- +25°C (77°F)
Operating temp Range	-20°C (-4°F)- +55°C (131°F)

Appearance and terminal

Battery shall be clean and have no dirt, no leakage, and no deformation which may affect their performance and actual use and shall have clearly visible markings.