

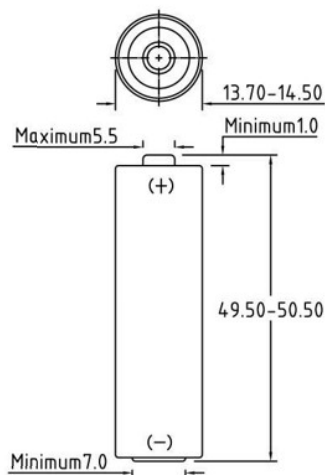
PRODUCT DATA SHEET

LR6 ALKALINE POWER



Ref.no. AL-PO-LR6-V23-09

Date of issue: 1 October, 2023



Type Designation	IEC: LR6 / JIS: AM3 / ANSI: 15A /AA
Made in	China
Chemical System	Electrolyte-zinc-manganese dioxide (mercury & cadmium free)
Dimensions	Diameter: 13.7 – 14.5 mm Height: 49.5 – 50 mm
Nominal Voltage	1.5 V
Average Weight	23 g
Compliant to	IEC 60086-1, IEC 60086-2, IEC 60086-5, non-dangerous goods regulation EU directive 2006/66/EC
Heavy metals	No added mercury (Hg), Cadmium (Cd) or Lead (Pb)
Storage Temp. Range	+10°C (50°F)- +25°C (77°F)
Operating temp Range	-20°C (-4°F)- +55°C (131°F)

Appearance and terminal

Battery shall be clean and have no dirt, no leakage, and no deformation which may affect their performance and actual use and shall have clearly visible markings.

LR6 ALKALINE POWER

Expiry period marking

Expiry date marked on the bottom of the finished battery. (for example: "2027-08" means the expiry date is August 2027)

Discharge curve

