

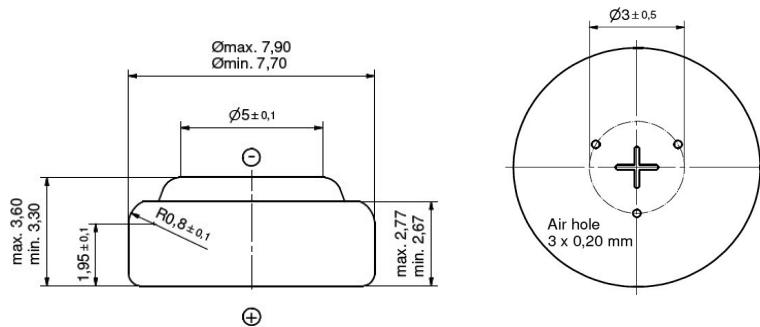
# PRODUCT DATA SHEET



## PR312 ZINC AIR

Ref.no. ZC-AIR-PR312-V23-09

Date of issue: 1 October, 2023



Type Designation	IEC: PR312
Made in	Germany
Chemical System	Zinc oxygen
Dimensions	Diameter: 7.7–7.9 mm Height: 3.3-3.6mm
Nominal Voltage	1.45 V
Average Weight	0.58 g
Compliant to	IEC 60086-1, IEC 60086-2, IEC 60086-5, non-dangerous goods regulation EU directive 2006/66/EC
Heavy metals	No added mercury (Hg), Cadmium (Cd) or Lead (Pb)
Storage Temp. Range	+10°C ( 50°F)- +25°C ( 77°F)
Operating temp Range	-20°C ( -4°F)- +55°C ( 131°F)

### Appearance and terminal

Battery shall be clean and have no dirt, no leakage, and no deformation which may affect their performance and actual use and shall have clearly visible markings.

### Discharge curve (at 20°C / 55% r.h)

