

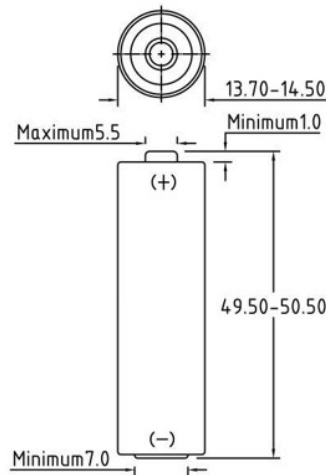
PRODUCT DATA SHEET



R6 ZINC CARBON ESSENTIAL

Ref.no. ZC-R6-V23-09

Date of issue: 1 October, 2023



Type Designation	IEC: R6 / M / AA
Made in	Poland
Chemical System	Carbon-zinc / zinc chloride
Dimensions	Diameter: 13.7–14.5 mm Height: 49.5-50mm
Nominal Voltage	1.5 V
Average Weight	17,5 g
Compliant to	IEC 60086-1, IEC 60086-2, IEC 60086-5, non-dangerous goods regulation EU directive 2006/66/EC
Heavy metals	No added mercury (Hg), Cadmium (Cd) or Lead (Pb)
Storage Temp. Range	+10°C (50°F)- +25°C (77°F)
Operating temp Range	-20°C (-4°F)- +55°C (131°F)

Appearance and terminal

Battery shall be clean and have no dirt, no leakage, and no deformation which may affect their performance and actual use and shall have clearly visible markings.

R6 ZINC CARBON ESSENTIAL

Expiry period marking

Expiry date marked on the bottom of the finished battery (for example: "2027-08" means the expiry date is August 2027)

Discharge curve

