

Owner's Manual
Instrukcja obsługi
Návod k použití
Navodila za uporabo
Használati útmutató
Upute za upotrebu
Lietošanas instrukcija

Instrucțiune de deservire
Инструкция за употреба
Οδηγίες χρήσης
Kasutusjuhend
Naudojimo instrukcijos
Uživatelská příručka



Enjoy it.

Bluetooth Bookshelf speaker

Important Safety Instructions**CAUTION**

RISK OF ELECTRIC SHOCK DO NOT OPEN

Caution:

To reduce the risk of electric shock, do not remove cover (or back). No user serviceable parts inside. Refer servicing to qualified service personnel.

Explanation of Graphical Symbols:

The lightning flash within an equilateral triangle is intended to alert you to the presence of uninsulated dangerous voltage within the product's enclosure that may be of sufficient magnitude to constitute an electric shock to a person or persons.



The exclamation point within an equilateral triangle is intended to alert you to the presence of important operating and maintenance (servicing) instructions in the literature accompanying the product.

To achieve the utmost in enjoyment and performance, and in order to become familiar with its features, please read this manual carefully before attempting to operate this product. This will assure you years of trouble free performance and listening pleasure.

Important Notes

- This safety and operating instruction should be retained for future reference.
- The apparatus should not be exposed to dripping or splashing or placed in a humid atmosphere such as a bathroom.
- Do not install the product in the following areas:
- Places exposed to direct sunlight or close to radiators.
- On top of other stereo equipment that radiate too much heat.
- Blocking ventilation or in a dusty area.
- Areas where there is constant vibration.
- Humid or moist places.
- Do not place near candles or other naked flames.
- Operate the product only as instructed in this manual.
- Before turning on the power for the first time, make sure the power adaptor is properly connected.
- Plug-in the USB stick directly or use a USB-extension cable which is not longer than 25 cm.

For safety reasons, do not remove any covers or attempt to gain access to the inside of the product. Refer any servicing to qualified personnel.

Do not attempt to remove any screws, or open the casing of the unit; there are no user serviceable parts inside. Refer all servicing to qualified service personnel.

SAFETY INSTRUCTIONS

1. Read Instructions - All the safety and operating instructions must be read before the product is operated.
2. Retain Instructions - The safety and operating instructions should be kept with the product for future reference.
3. Heed warnings - All warnings on the product and in the operating instructions should be adhered to.
4. Follow instructions - All operating and users' instructions should be followed.
5. Installation - Install in accordance with the manufacturer's instructions.
6. Power sources - This product should be operated only from the type of power source indicated by the marking adjacent to the power cord entry. If you are not sure of the type of power supply to your home, consult your product dealer or local power company.
7. Grounding or polarization - the product is not required to be grounded. Ensure that the plug is fully inserted into the wall outlet or extension cord receptacle to prevent blade or pin exposure. Some versions of the product are equipped with a power cord fitted with a polarized alternating line plug (a plug having one blade wider than the other). This plug will fit onto the power outlet only one way. This is a safety feature. If you are unable to insert the plug fully into the outlet, try reversing the plug. If the plug should still fail to fit, contact your electrician to replace your obsolete outlet. Do not defeat the safety purpose of the polarized plug. When using an extension power-supply cord or a power-supply cord other than that supplied with the appliance, it should be fitted with the appropriate molded plugs and carry safety approval appropriate to the country of use.
8. Power cord protection - Power-supply cords should be routed so that they are not likely to be walked on, kinked or pinched by items placed on or against them, paying particular attention to cords from plugs, receptacles and the point where they exit from the product.
9. Overloading - Do not overload wall outlets, extension cords, or multiple sockets, as this can result in a risk of fire or electric shock.
10. Ventilation - The product must be properly ventilated. Do not place the product on a bed, sofa, or other similar surface. Do not cover the product with any items such as tablecloths, newspapers, etc.
11. Heat - The product should be situated away from heat sources such as radiators, heat registers, stoves, or other products, including amplifiers that produce heat. No naked flame sources, such as lighted candles, should be placed on the apparatus.
12. Water and moisture - To reduce the risk of fire or electric shock, do not expose the product to rain, dripping, splashing or excessive moisture such as in a sauna or bathroom. Do not use this product near water, for example, near a bathtub, washbowl, kitchen sink, laundry tub, in a wet basement or near a swimming pool (or similar).

13. Object and Liquid Entry - Never push objects of any kind into this product through openings, as they may touch dangerous voltage points or short-circuit parts that could result in a fire or electric shock. Never spill liquid of any kind on the product. Do not place any object containing liquid on top of the product.
14. Cleaning - Unplug the product from the wall outlet before cleaning. Dust in the woofer may be cleaned with a dry cloth. If you wish to use an aerosol cleaning spray, do not spray directly on the cabinet; spray onto the cloth. Be careful not to damage the drive units.
15. Attachments - Do not use attachments not recommended by the product manufacturer, as they may cause hazards.
16. Accessories - Do not place this product on an unstable cart, stand, tripod, bracket or table. The product may fall, causing serious injury to a child or adult, and serious damage to the product. Use only with a cart, stand, tripod, bracket or table recommended by the manufacturer or sold with the product. Any mounting of the product should follow the manufacturer's instructions and should use a mounting accessory recommended by the manufacturer.
17. Moving the product - A product and cart combination should be moved with care. Quick stops, excessive force and uneven surfaces may cause the product and cart combination to overturn.
18. Unused periods - The power cord of the appliance should be unplugged from the outlet during lightning storms or when the apparatus is left unused for a long period of time.
19. Servicing - Do not attempt to service this product yourself, as opening or removing covers may expose you to dangerous voltage or other hazards. Refer all servicing to qualified service personnel.
20. Please remove the power plug from the main power source or wall power source when not in use. When plugged in to a power source, the system is in standby mode, so the power is not entirely cut off.
21. Replacement parts - When replacement parts are required, ensure that the service technician has used replacement parts specified by the manufacturer or have the same characteristics as the original part. Unauthorized substitutions may result in fire, electric shock or other hazards.
22. Mains fuses - For continued protection against fire hazard, use fuses only of the correct type and rating. The correct fuse specification for each voltage range is marked on the product.
23. Do not turn up the volume while listening to a section with very low level inputs or no audio signals. If you do, the speaker may be damaged when a peak level section is suddenly played.
24. The only means of completely disconnecting the product from the power supply is by removing the power cord from the wall outlet or the product. The wall outlet or the power cord entry to the product must remain freely accessible at all times while the product is in use.
25. Try to install the product near a wall socket or extension cord and shall be easily accessible.
26. The highest environmental temperature suitable for this product is 35°C.
27. ESD hints - If the product maybe reset or not reset to operation of control due to electrostatic discharge, just switch off and reconnect again, or move the product to another location.
28. Battery
 - a. The batteries must not be exposed to excessive heat such as sunshine, fire or the like.
 - b. The batteries should be drawn to the environmental aspects of battery disposal.
 - c. Battery usage CAUTION-to prevent battery leakage which may result in body injuries, property damage, or damage to the apparatus:
 - . Install all batteries correctly, + and – as marked on the apparatus.
 - . Do not mix batteries (old and new or carbon and alkaline, etc.)
 - . Remove batteries when the unit is not used for a long time.

ERP2 (Energy Related Products) note

This product with ecodesign complies with the stage 2 requirements of Commission Regulation (EC) NO. 1275/2008 implementing Directive 2009/125/EC regard to standby and off mode electric power consumption of electronic household and office equipment. After 30 minutes without any audio input, the device will automatically switch into standby mode. Follow up the instruction manual to resume the operation.

Important note:

This device is equipped with an energy saving mode: if no signal is given during 30 minutes the device will switch automatically into standby mode in order to save energy (ERP 2 standard). Please note that low volume setting in the audio source may be recognized as "no audio signal": this will affect the capability of signal detection from the device and can also originate an automatic switch into standby mode. If this happens please reactivate the audio signal transmission or increase the volume setting on the audio source player (MP3 player, etc.), in order to resume playback. Please contact the local service center if the problem remains.

WARNING

This appliance is not intended for use by persons (including children) with reduced physical sensory or mental capabilities, or lack of experience and knowledge, unless they have been given supervision or instruction concerning use of the appliance by a person responsible for their safety. Children should be supervised to ensure that they do not play with the appliance.

1. Never use the device unsupervised! Switch off the device whenever you are not using it, even if this only for a short while.
2. The appliance is not intended to be operated by means of an external timer or separate remote control system.
3. If the supply cord is damaged, it must be replaced by the manufacturer, its service agent or similarly qualified persons in order to avoid a hazard.
4. Before operating this system, check the voltage of this system to see if it is identical to the voltage of your local power supply.

5. The unit should not be impeded by covering the ventilation opening with items such as newspaper, table-cloths, curtains etc. Make sure that there are at least 20 cm of space above and at least 5 cm of space on each side of the unit.
6. The apparatus must not be exposed to dripping or splashing and that objects filled with liquids, such as vases, must not be placed on the apparatus.
7. To prevent fire or shock hazard, do not expose this equipment to hot places, rain, moisture or dust.
8. Do not locate this unit near any water sources e.g. taps, bathtubs, washing machines or swimming pools. Ensure that you place the unit on a dry, stable surface.
9. Do not place this unit close to a strong magnetic field.
10. Do not place the unit on an amplifier or receiver.
11. Do not place this unit in a damp area as the moisture will affect the life of electric components.
12. If the system is brought directly from a cold to a warm location, or is placed in a very damp room, moisture may condense on the lens inside the player. If this occurs, the system will not operate properly. Please leave the system turned on for about an hour until the moisture evaporates.
13. Do not attempt to clean the unit with chemical solvents as this might damage the finish. Wipe with a clean, dry or slightly damp cloth.
14. When removing the power plug from the wall outlet, always pull directly on the plug, never pull on the cord.
15. Depending on the electromagnetic waves used by a television broadcast, if a TV is turned on near this unit while it is also on, lines might appear on the TV screen. Neither this unit nor the TV is malfunctioning. If you see such lines, keep this unit well away from the TV set.
16. The mains plug is used as the disconnect device, the disconnect device must remain readily operable.
17. To prevent possible hearing damage, do not listen at high volume levels for long periods.



NOTICE



Conformity

Hereby, Blaupunkt Competence Center 2N-Everpol Sp. z o.o., declares that this equipment is in compliance with the essential requirement and other relevant provisions of Directive 2014/53/EU. Declaration of conformity can be obtained from the product page at www.blaupunkt.com.

Responsible party: 2N-Everpol Sp. z o.o., Puławska 403A, 02-801 Warsaw, Poland, Phone: +48 22 688 08 00, E-mail:

info@everpol.pl



Your product is designed a manufactured with high quality materials and components, which can be recycled and reused.



If there is a crossed-out bin symbol on your device, it means that the product is covered by the provisions of European Directive 2012/19/EU. Based on this, please follow local regulations and familiarize yourself with the requirements for your local electrical and electronic waste collection system and, in the case of this product, comply with them.

DO NOT DISPOSAL THIS PRODUCT WITH YOUR HOUSEHOLD WASTE!

THIS PRODUCT CONTAINS HAZARDOUS SUBSTANCES, MIXTURES AND COMPONENTS WHICH, IF UNAUTHORIZED, CAN BE A SOURCE OF POTENTIAL EFFECTS ON THE NATURAL ENVIRONMENT AND HUMAN HEALTH!

Correct disposal of the used product will prevent negative effects on the environment and human health.



Your product contains batteries covered by the European Directive 2006/66/EC, which cannot be dispose with normal household waste. Please inform yourself about the local rules on separate collection of batteries because correct disposal helps to prevent negative consequences for the environmental and human health.

Environmental information

All unnecessary packaging has been omitted. We have tried to make the packaging easy to separate into three materials: cardboard (box), polystyrene foam (buffer) and poly ethylene (bags, protective foam sheet). Your system consists of material which can be recycled and reused if disassembled by a specialized company. Please observe the local regulations regarding the disposal of packaging materials, exhausted batteries and old equipment.

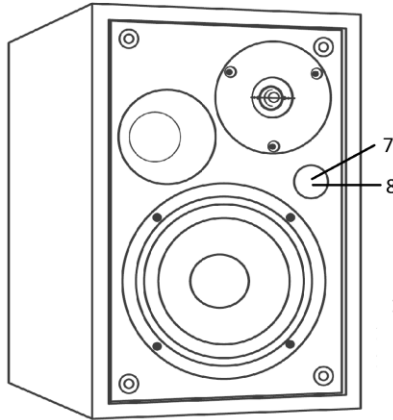
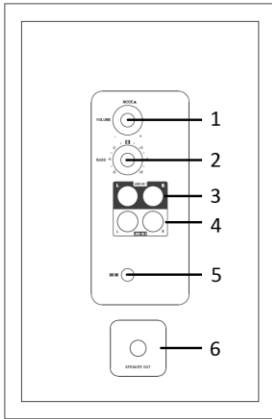
Recording and playback of material might require consent. See Copyright Act 1956 and The Performer's Protection Acts 1958 to 1972.



The Bluetooth® wordmark and logos are registered trademarks owned by Bluetooth SIG, Inc. and any use of such marks by us is under license. Other trademarks and trade names are those of their respective owners.

Many thanks to buy our model, please read and reference this manual carefully before operate the unit. Please keep the manual for future operation reference.

Control panel



1. Power/volume/mode knob: short press it to power on the unit after connect with power adaptor; long press 3 seconds to standby off the unit; Short press it repeatedly to switch the play mode; rotate the knob to adjust the main volume.

2. Bass knob: rotate it to increase or decrease bass. **3. RCA Line in 1 jack.** **4. RCA line in 2 jack.**

5. DC input power jack. **6. Speaker out terminal:** connect to satellite speaker as stereo.

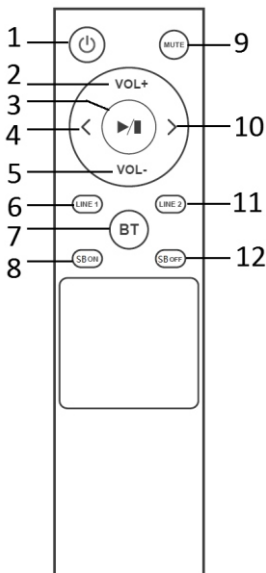
7-8: IR sensor for remote controller and signal LED window.

RED color: in standby mode.

Blue color: In Bluetooth mode.

Light blue color: in Line in 1 mode.

Yellow color: in Line in 2 mode.



Remote controller:

1-Power button: press it to standby on/off the unit.

2,5-Volume+/- button: press it to adjust the output volume.

3- Play/pause: press it to play or pause the sound output in Bluetooth mode.

4,10- Previous/next button: press it to switch previous/next track in Bluetooth.

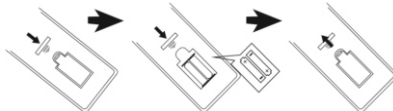
6,7,11- Line in 1/Bluetooth/Line in 2 button: press it skip to relevant play mode directly.

8,12- 3D on/off button: press it to turn on or off super bass function.

9- Mute button: press it to silence the speaker, press again to resume the output.

Remote control battery installation

Open up the battery door and insert 2 x AAA dry battery (included) into the compartment; please make sure the polarity of battery will aim and correspond to the positive and negative silkscreen-printed symbol in the compartment. Then close the battery door.

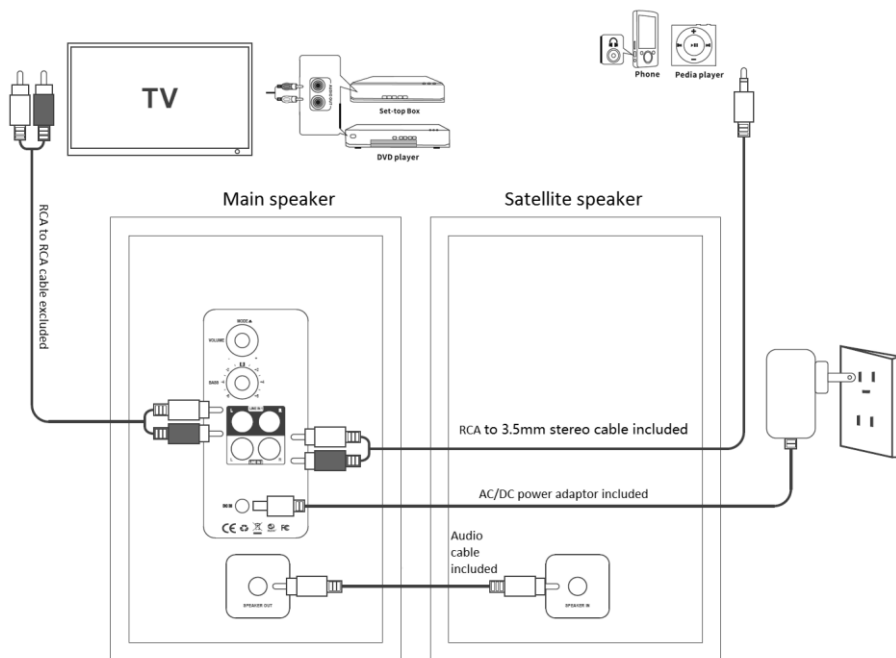


Notes:

- The best working distance of remote control is within 5 meters without any obstacle in between. Please aim to the remote control sensor locates on the front of unit during operation.
- The sensitivity of remote control will become weak when the battery power exhausted. Please replace it with fresh one for operation.
- Please take out the battery in case of none-operation in a long time.
- Please dispose the battery in an environment friendly way. Please reference the local government requirement for the detail.

Main and satellite speaker connection: Before power on the unit, please kindly connect the unit first. Using the supplied RCA to RCA (single connector) audio cable connect the speaker out and speaker in terminal on rear panel between main and satellite speaker. Then the speaker will get stereo output.

Power setting and power on/off: Plug in the supplied AC/DC power adaptor to an AC household outlet in order to get power source, and plug the DC connector of power adaptor to power jack on the rear panel of main unit. Then the unit will enter to standby mode, and ready work for you. Short press the power knob from rear panel of main unit or remote controller can power on the speaker. Long press (3seconds) the power knob from rear panel, or short press power button from remote controller can standby off the unit.



Speaker connect with outsourcing devices like TV, TV set-top, DVD, Blue-ray DVD player, MP3 player etc.

The speaker has included 2 x RCA analogue (Line in) inputs for different source. You can reference above drawing for the connection depends on what kind of connector has on your device. The RCA to 3.5mm stereo cable is included.

Bluetooth operation

This product includes Bluetooth function which can wireless playback the music from other Bluetooth device (like smart phone, tablet, TV etc).

1. Power on the unit, press mode button repeatedly on rear panel or Bluetooth button from remote controller to enter Bluetooth mode. The blue color LED will flare on the signal LED window which means the unit is ready to pair.
2. Enable the Bluetooth function on your device, and search the available device (please reference your device manual for operation), then check the available Bluetooth device on the list. Select "BP BS40" for pairing, and the blue color signal LED will become stable after paired successful.
3. Select and play the music from your Bluetooth device, adjust the volume level properly, then the sound will come out from the speaker.
4. In Bluetooth mode, you can do operation like previous/next track selection, play/pause, mute etc. by pressing relevant button from remote controller.

Notices:

- a. All Bluetooth devices are not guaranteed for pairing successfully due to different design and brand.
- b. The best working distance of Bluetooth is within 10 meters without any obstacle in between.
- c. The unit only can pair and work with one Bluetooth device in one time.
- d. In case of an incoming phone call during Bluetooth playback; the music will stop temporary, and resume to playback after end the phone call.

Bluetooth connect with TV: In case of your TV device has Bluetooth function, the Bookshelf speaker can wireless playback with your TV as well. You have to turn on the Bluetooth function on your TV screen and searching "BP BS40" for connection. Please reference your TV's manual for the details.

Trouble shooting

1. The speaker cannot turn on.
 - a. Please check if the power connection is correct.
2. No sound output.
 - a. Please try to adjust the volume knob, mute button and check the play source.
 - b. please contact service center for support if the issue remained.
3. Sound distortion.
 - a. Please try to adjust and play the music at a lower volume level.
 - b. Check the status of treble/bass setting.
 - c. Please try to decrease the volume level on outsourcing player like TV etc.
4. The sound is sounding intermittently in Bluetooth mode.
 - a. Please try to move the Bluetooth device closer to speaker.
 - b. Please try to repair the speaker with Bluetooth device.

Specifications**General**

Power requirements: DC IN 19V/1.65A
 Power consumption (on mode): xxx Watt working mode
 Standby power consumption :< 0.5 Watt
 Output power RMS: 2 x 20W
 Total harmonic distortion: <1% (1 kHz, 1W)
 Audio input sensitivity: LINE IN 1: 550MV, LINE IN 2: 750MV
 Frequency response: 45 Hz – 20 KHz; S/R:>/= 80dB
 USB support music: MP3/WAV/WMA (not guarantee)
 USB support device: up to 32GB max.
 Unit dimensions: 155 x 248 x 175mm (W x H x D)
 Inputs: 2 x RCA Line in

Speakers

Tweeter: 1.25"/ 4Ω
 Woofer impedance: 4"/4 Ω

Bluetooth

Bluetooth version: V5.3
 Work range: approx. 10 meters
 Transmission frequency: 2.402~2.480GHz
 Protocols: 2DP/AVCTP/AVDTP/AVRCP/GAVDP/HFP/HID/OPP/RFCOMM/SPP
 A2DP/AVRCP
 (Notes: the product spec may change without prior notice).

Accessories

Remote Controller x 1 pcs
 Remote control battery x 1 pair
 Instruction Manual x 1 pcs
 Warranty card x 1 pcs
 Audio cable (3.5mm stereo to RCA) x 1 pcs
 RCA to RCA single connector audio cable x 1 pcs
 AC/DC Power adaptor x 1 pcs

Ważne instrukcje dotyczące bezpieczeństwa

PRZESTROGA

**ZAGROŻENIE PORAZIENIEM ELEKTRYCZNYM
NIE OTWIERAĆ**
Przeostroga:

Aby zmniejszyć ryzyko porażenia prądem, nie wolno demontować pokrywy ani tylnej części urządzenia. Wewnątrz urządzenia nie znajdują się elementy przeznaczone do samodzielnej naprawy przez użytkownika. Konserwacją i naprawą sprzętu zajmują się wyłącznie wykwalifikowani pracownicy serwisu.

Objaśnienie symboli graficznych:


Symbol błyskawicy zakończony strzałką umieszczonej w trójkącie równobocznym ostrzega użytkownika przed nieizolowanym, „niebezpiecznym napięciem” w obrębie obudowy urządzenia, które może osiągnąć wielkość grożącą porażeniem prądem elektrycznym.



Znak wykrzyknika w trójkącie równobocznym ostrzega użytkownika, że w tym momencie przedstawione są ważne informacje dotyczące obsługi i konserwacji sprzętu w dokumentacji, dołączonej do urządzenia.

Prosimy o przeczytanie tej instrukcji przed przystąpieniem do obsługi urządzenia, aby zapoznać się z jego funkcjami i wykorzystać je zgodnie z przeznaczeniem. Zapewni to długotrwałą, bezawaryjną obsługę urządzenia i przyjemność z użytkowania.

Ważne informacje

- Należy zachować instrukcję obsługi oraz informacje dotyczące bezpieczeństwa w celu wykorzystania ich w przyszłości.
- Nie należy dopuszczać do tego, aby na urządzenie kapala lub wylewała się ciecz. Nie wolno też używać go w wilgotnych miejscach, jak np. łazienka.
- Nie wolno instalować tego urządzenia w następujących miejscach:
 - Wystawionych na bezpośrednie działanie promieni słonecznych lub w pobliżu grzejników.
 - Kładących na wierzchu innego sprzętu stereofonicznego który wydziela ciepło.
 - Blokując wentylację lub w zapyłonym miejscu.
 - W miejscach narażonych na ciągłe drgania.
 - W miejscach o wysokiej wilgotności.
- Nie wolno stawiać urządzenia w pobliżu świateł lub otwartego ognia.
- Urządzenia można używać wyłącznie w sposób opisany w niniejszej instrukcji.
- Przed pierwszym włączeniem zasilania należy upewnić się, że zasilacz został prawidłowo podłączony.
- Pamięć USB podłącza się bezpośrednio lub przy użyciu przedłużacza USB o długości do 25 cm

Ze względów bezpieczeństwa nie należy demontować obudów ani uzyskiwać dostępu do wnętrza urządzenia. Urządzenie powinno być naprawiane przez wykwalifikowany personel serwisu.

Nie wolno rozkręcać urządzenia ani otwierać jego obudowy, gdyż wewnątrz nie ma żadnych części, które mogłyby być naprawiane przez użytkownika. Konserwacją i naprawą sprzętu zajmują się wyłącznie wykwalifikowani pracownicy serwisu.

INSTRUKCJE DOTYCZĄCE BEZPIECZEŃSTWA

1. Przeczytać instrukcję — przed korzystaniem z urządzenia należy przeczytać całość instrukcji obsługi oraz informacje o bezpieczeństwie.
2. Zachować instrukcje — należy zachować instrukcje użytkowania i obsługi w celu wykorzystania ich w przyszłości.
3. Przestrzegać ostrzeżeń — należy postępować zgodnie z wszystkimi ostrzeżeniami zamieszczonymi na urządzeniu oraz zgodnie z instrukcją obsługi.
4. Przestrzegać instrukcji — należy postępować zgodnie z instrukcją obsługi oraz wskazówkami dla użytkownika.
5. Instalacja — należy ustawić urządzenie zgodnie z instrukcjami producenta.
6. Źródła zasilania – urządzenie powinno być zasilane wyłącznie ze źródeł o parametrach podanych na oznaczeniach na kablu zasilania. Jeżeli użytkownik nie jest pewien, jakiego rodzaju zasilaniem dysponuje w domu, powinien skontaktować się ze sprzedawcą urządzenia lub lokalnym dostawcą energii elektrycznej.
7. Uziemienie lub polaryzacja zasilania — urządzenie nie musi być uziemione. Należy upewnić się, że wtyczka jest do końca włożona do gniazdka sieciowego lub przedłużacza, aby nie dopuścić do odślonienia bolców lub styków. Niektóre wersje urządzenia mogą być wyposażone w spolaryzowaną wtyczkę prądu przemiennego (z jednym bolcem szerszym). Tę wtyczkę można włożyć do gniazdka sieciowego tylko w jeden sposób. Jest to funkcja zabezpieczająca. Jeśli nie można włożyć wtyczki do gniazdka, należy spróbować ją odwrócić. Jeśli wtyczka nadal nie pasuje do gniazdka, należy zlecić elektrykowi jego wymianę. Nie wolno zdejmować z zabezpieczeń z wtyczki spolaryzowanej. Gdy korzysta się z przedłużacza lub kabla zasilania innego niż dostarczony razem z urządzeniem, powinny mieć właściwe wtyczki oraz atest bezpieczeństwa wymagany w danym kraju.
8. Zabezpieczenie kabla zasilania — kable zasilania należy poprowadzić w taki sposób, aby nie można było po nich chodzić, przycisnąć lub przyciąć postawionymi przedmiotami. Zwrócić szczególną uwagę na wtyczki, gniazdka sieciowe i miejsca, w którym kable są wyprowadzone z urządzenia.
9. Przeciągnięcie — nie wolno przeciągać gniazdek ściennych, przedłużaczy i rozdzielaczy elektrycznych, ponieważ grozi to wybuchem pożaru lub porażeniem prądem elektrycznym.
10. Wentylacja — urządzenie musi być poprawnie wentylowane. Nie wolno ustawiać urządzenia na łóżku, sofie lub podobnych powierzchniach. Nie wolno przykrywać urządzenia obrusami, serwetkami, gazetami itd.

11. Ciepło — nie ustawiać urządzenia w pobliżu źródeł ciepła, takich jak grzejniki, promienniki, piece lub innych urządzeń (również wzmacniacze) wytwarzających ciepło. Nie stawiać na urządzeniu zapalonych świeci i innych źródeł otwartego ognia.
12. Woda i wilgoć — aby zmniejszyć zagrożenie pożarem lub porażeniem elektrycznym, nie wolno narażać urządzenia na bezpośrednie działanie deszczu, wody i wilgoci, jak np. w saunie czy w łazience. Nie używać niniejszego urządzenia w pobliżu wody, na przykład obok wanny, umywalki, zlewu kuchennego lub balii, w wilgotnej piwnicy lub w pobliżu basenu (lub w podobnych miejscach).
13. Przedmioty i ciecz w urządzeniu — nie należy wciskać jakichkolwiek przedmiotów przez otwory urządzenia, ponieważ mogą one zetknąć się z punktami niebezpiecznego napięcia i podzespołami, co może wywołać pożar lub porażenie prądem. Pod żadnym pozorem nie należy rozlewać jakichkolwiek cieczy na powierzchni urządzenia. Nie wolno kłaść na wierzchu urządzenia przedmiotów zawierających ciecz.
14. Czyszczenie — należy zawsze odłączyć urządzenie od gniazdka sieciowego przed czyszczeniem. Kurz dookoła głośnika można usunąć suchą szmatką. Jeśli do czyszczenia ma być użyty aerozol, nie należy kierować rozpylanego strumienia bezpośrednio na urządzenie, ale na szmatkę. Należy uważać, aby nie uszkodzić jednostek napędowych.
15. Wyposażenie dodatkowe — nie wolno używać akcesoriów, które nie są dopuszczone przez producenta, gdyż mogą stwarzać zagrożenie.
16. Akcesoria — nie wolno ustawiać urządzenia na niestabilnym wózku, stojaku, statywie, wsporniku czy stole. Urządzenie może ulec przewróceniu i uszkodzeniu oraz spowodować poważne obrażenia u dziecka lub osoby dorosłej. Należy używać wyłącznie wózków, stojaków, statywów, wsporników i stołów określonych przez producenta albo sprzedawanych wraz z urządzeniem. Montaż urządzenia należy przeprowadzać zgodnie z instrukcjami producenta, przy użyciu zestawu montażowego zalecanego przez producenta.
17. Przenoszenie urządzenia — urządzenie umieszczone na wózku należy przesuwać bardzo ostrożnie. Gwałtowne zatrzymanie, zbyt duża siła lub nierówne powierzchnie mogą spowodować przewrócenie wózka wraz z urządzeniem.
18. Okres nieużywania urządzenia — kabel zasilania urządzenia należy odłączyć od gniazdka sieciowego w trakcie burz z wyładowaniami atmosferycznymi lub gdy urządzenie nie będzie używane przez dłuższy czas.
19. Serwisowanie — nie należy próbować własnoręcznie przeglądać urządzenia. Otwieranie pokrywy może spowodować kontakt z niebezpiecznym napięciem i narazić użytkownika na inne niebezpieczeństwa. Konserwacją i naprawą sprzętu zajmują się wyłącznie wykwalifikowani pracownicy serwisu.
20. Gdy urządzenie nie jest używane, należy odłączyć jego wtyczkę zasilania od gniazdka sieciowego. Gdy urządzenie jest podłączone do źródła zasilania, znajduje się w trybie czuwania i nie jest całkowicie wyłączone.
21. Części zamienne — przy wymianie części należy sprawdzić, czy pracownik serwisu użył części zamiennych zalecanych przez producenta lub też czy części są identyczne jak część oryginalna. Dokonywanie wymiany na niezatwierdzone części grozi wybuchem pożaru, porażeniem prądem elektrycznym lub innymi niebezpieczeństwami.
22. Główne bezpieczniki — aby zabezpieczyć w sposób ciągły urządzenie przed pożarem, należy używać bezpieczników właściwego typu i parametrów. Parametry bezpieczników w danym zakresie napięcia są zaznaczone na urządzeniu.
23. Nie wolno zwiększać głośności przy słuchaniu części utworu o małej głośności lub przy braku wejściowego sygnału audio. W innym wypadku może dojść do uszkodzenia głośnika przy gwałtownym wzroście natężenia sygnału.
24. Jedynym sposobem całkowitego odłączenia urządzenia od źródła zasilania jest odłączenie kabla zasilania z gniazdka zasilania lub z urządzenia. Gniazdko sieciowe lub wejście kabla zasilania do urządzenia muszą być zawsze dostępne w trakcie używania produktu.
25. Urządzenie powinno się ustawić w pobliżu gniazdka sieciowego lub przedłużacza i w taki sposób, aby zawsze było dostępne.
26. Maksymalna temperatura otoczenia urządzenia wynosi 35°C.
27. Wskazówki dotyczące wyładowań elektrostatycznych — jeśli działanie urządzenia jest zakłócone wyładowaniami elektrostatycznymi, należy go wyłączyć i ponownie włączyć lub przenieść urządzenie w inne miejsce.
28. Bateria
 - a. Bateria nie mogą być narażone na działanie nadmiernego ciepła, jak np. promieni słonecznych, ognia itp.
 - b. Podczas utylizacji baterii należy zwrócić uwagę na aspekty ochrony środowiska.
 - c. Przestroga dotycząca używania baterii: aby nie dopuścić do rozszczelnienia baterii, które może spowodować obrażenia ciała bądź uszkodzenie urządzenia:
 - Podczas wkładania baterii zwrócić uwagę na jej polaryzację (+ i -).
 - Nie wolno jednocześnie używać różnych baterii — starych i nowych baterii standardowych i alkalicznych itd.
 - Należy wyjąć baterie z urządzenia, gdy nie będą one używane przez dłuższy czas.

Uwaga dotycząca ERP2 (urządzeń związanych z energią)

Niniejsze urządzenie z ekoprojektem spełnia wymagania etapu 2 Rozporządzenia Komisji (WE) nr 1275/2008 wprowadzającego dyrektywę 2009/125/WE dotyczącą poboru energii przez wyłączone i znajdujące się w trybie czuwania urządzenia elektroniczne do zastosowań biurowych i domowych.

Po upływie 30 minut bez wejściowego sygnału audio urządzenie automatycznie przejdzie w tryb czuwania. Informacje na temat przywrócenia normalnego działania można znaleźć w instrukcji obsługi.

Ważne informacje:

Niniejsze urządzenie jest wyposażone w funkcję trybu oszczędzania energii: jeśli w ciągu 15 minut nie jest podawany do niego żaden sygnał wejściowy, urządzenie automatycznie przejdzie w tryb czuwania w celu oszczędzania energii (norma ERP 2). Należy zauważyć, że ustawienie niskiego poziomu głośności w źródle sygnału audio może zostać rozpoznane jako stan „braku sygnału audio”: może to mieć wpływ na zdolność wykrywania sygnału z urządzenia oraz spowodować automatycznie przejście w tryb czuwania. W takim wypadku należy przywrócić transmisję sygnału audio lub zwiększyć poziom głośności w źródle sygnału audio (odtwarzaczu MP3 itp.) w celu wznowienia odtwarzania. Jeśli problem nie ustąpi, prosimy o kontakt z lokalnym serwisem.

OSTRZEŻENIE

Urządzenie nie powinno być używane przez osoby (w tym dzieci) o obniżonej sprawności fizycznej, sensorycznej lub umysłowej oraz osoby z niewystarczającą wiedzą i doświadczeniem, jeśli nie znajdują się one pod nadzorem osoby odpowiedzialnej za ich bezpieczeństwo i nie zostały poinstruowane jak bezpiecznie używać urządzenia. Obecność osób dorosłych jest wymagana, jeśli urządzenie obsługują dzieci; pozwoli to zapewnić bezpieczne korzystanie z urządzenia.

1. Nie wolno pozostawić pracującego urządzenia bez nadzoru! Należy wyłączać urządzenie, gdy nie jest ono używane, nawet przez krótką chwilę.
2. Urządzenia nie wolno obsługiwać za pośrednictwem zewnętrznego zegara z układem czasowym ani za pomocą oddzielnego układu ze zdalnym sterowaniem.
3. Aby uniknąć zagrożenia w przypadku uszkodzenia przewodu zasilania, wymianę powinien wykonać producent, autoryzowany punkt serwisowy lub inna osoba posiadająca odpowiednie kwalifikacje.
4. Przed przystąpieniem do obsługi urządzenia należy sprawdzić, czy jego napięcie odpowiada napięciu występującemu w lokalnej sieci zasilającej.
5. Nie wolno zakrywać otworów wentylacyjnych urządzenia np. gazetami, obrusem, zasłonami itp. Należy upewnić się, że nad urządzeniem jest co najmniej 20 cm wolnego miejsca, a z każdej jego strony — co najmniej 5 cm.
6. Nie należy dopuszczać do tego, aby na urządzenie kapąca lub wylewała się ciecz, ani nie należy stawiać na nim przedmiotów wypełnionych cieczami, takich jak wazony.
7. Aby uniknąć pożaru lub porażenia prądem elektrycznym, należy chronić urządzenie przed gorącymi miejscami, działaniem deszczu, wilgoci i pyłu.
8. Nie wolno ustawiać urządzenia w pobliżu jakichkolwiek źródeł wody, np. kranów, wanien, pralek lub basenów pływackich. Urządzenie należy ustawić na równym i stabilnym podłożu.
9. Nie wolno narażać urządzenia na silne pole magnetyczne.
10. Nie wolno stawiać urządzenia bezpośrednio na wzmacniaczu lub amplitunerze.
11. Nie wolno stawiać urządzenia w wilgotnym miejscu, gdyż wilgoć ma szkodliwy wpływ na podzespoły elektryczne.
12. Po wniesieniu urządzenia z zimnego do ciepłego miejsca lub do wilgotnego miejsca może dojść do kondensacji wilgoci na soczewce wewnątrz odtwarzacza. W takiej sytuacji urządzenie nie będzie działać prawidłowo. Należy pozostawić włączone urządzenie na około jedną godzinę, aby umożliwić odparowanie wilgoci.
13. Nie wolno czyścić urządzenia rozpuszczalnikami chemicznymi, gdyż mogą one zniszczyć lakier obudowy. Urządzenie wyciera się czystą, suchą lub nieznacznie zwilżoną ściereczką.
14. Podczas wyciągania wtyczki z gniazdka ściennego należy zawsze ciągnąć za wtyczkę, nigdy za kabel zasilania.
15. Gdy włączone urządzenie jest używane w pobliżu włączonego telewizora, może to być źródłem zakłóceń obrazu w postaci linii na ekranie. Zależy to od pasma fal transmisji TV. Nie oznacza to nieprawidłowego działania urządzenia ani telewizora. Jeśli są widoczne takie linie, należy odsunąć urządzenie od telewizora.
16. Wtyczka sieciowa jest używana do odłączania napięcia zasilającego i powinna być zawsze dostępna.
17. Aby nie dopuścić do ewentualnej utraty słuchu, nie wolno słuchać głośno muzyki przez dłuższy czas.



UWAGA
 Deklaracja


Niniejszym Blaupunkt Competence Center 2N-Everpol Sp. z o.o. oświadczam, że to urządzenie jest zgodne z wymogami i innymi odpowiednimi postanowieniami dyrektywy 2014/53 / UE. Pełną deklarację zgodności można uzyskać na stronie www.blaupunkt.com w zakładce produktu.
 Podmiot odpowiedzialny: 2N-Everpol Sp. z o.o., Puławska 403A, 02-801 Warszawa, Polska, Telefon: +48 22 688 08 00., e-mail: info@everpol.pl



Produkt został wyprodukowany z wysokiej jakości materiałów i podzespołów, które można poddać recyklingowi i ponownie użyć.



Jeśli na urządzeniu znajduje się znak przekreślonego kosza na śmieci, oznacza to, że produkt jest objęty postanowieniami dyrektywy europejskiej 2012/19/EU. Na jej podstawie należy postępować zgodnie z lokalnymi przepisami i zapoznać się z wymaganiami dotyczącymi lokalnego systemu zbiórki odpadów elektrycznych i elektronicznych i w przypadku tego produktu, zastosować się do nich.

NIE WOLNO WYRZUCAĆ TEGO PRODUKTU RAZEM ZE ZWYKŁYMI ODPADAMI DOMOWYMI!

NINIEJSZY PRODUKT ZAWIERA NIEBEZPIECZNE: SUBSTANCJE, MIESZANINY I CZĘŚCI SKŁADOWE, KTÓRE ZUTYLIZOWANE W NIEDOZWOLONY SPOSOB, MOGĄ BYĆ ŹRÓDŁEM POTENCJALNYCH SKUTKÓW DLA ŚRODOWISKA NATURALNEGO ORAZ ZDROWIA LUDZKIEGO!

Poprawne usunięcie zużytego produktu, zapobiegnie negatywnym skutkom dla środowiska naturalnego i zdrowia ludzkiego.



Urządzenie jest wyposażone w baterie objęte dyrektywą europejską 2006/66/WE. Baterii nie wolno wyrzucać razem z odpadami gospodarstwa domowego. Należy zapoznać się z lokalnymi przepisami dotyczącymi oddzielnej zbiórki baterii, ponieważ prawidłowa utylizacja zapobiegnie potencjalnym negatywnym skutkom dla środowiska naturalnego i zdrowia ludzkiego.

Informacje o ochronie środowiska naturalnego

Opakowanie zawiera tylko niezbędne elementy. Dołożono wszelkich starań, aby trzy materiały składowe opakowania były łatwe do oddzielenia: karton (pudełko), pianka polistyrenowa (zabezpieczenia wewnątrz) i polietylen (torebki, arkusz ochronny). Urządzenie wyprodukowano z materiałów, które można poddać recyklingowi i użyć ponownie po ich demontażu przez wyspecjalizowaną firmę. Należy przestrzegać lokalnych przepisów dotyczących utylizacji materiałów opakowaniowych, zużytych baterii i niepotrzebnych urządzeń.

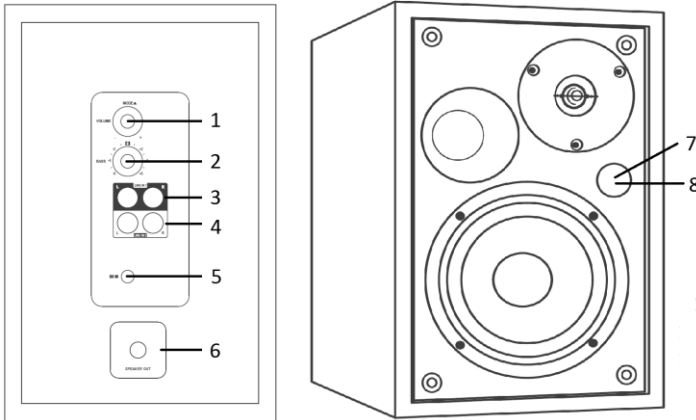
Nagrywanie i odtwarzanie materiałów może wymagać uzyskania zgody. Patrz ustawa o prawach autorskich i prawach wykonawców/artystów.



Właścicielem znaków towarowych i logo Bluetooth® jest firma Bluetooth SIG, Inc. USA. Użycie tych znaków i logo podlega licencji. Inne znaki i nazwy handlowe należą do odpowiednich właścicieli.

Dziękujemy za zakup naszego modelu, przed uruchomieniem urządzenia, prosimy o uważne przeczytanie i zapoznanie się z niniejszą instrukcją. Proszę zachować instrukcję do wykorzystania w przyszłości.

Rozmieszczenie elementów obsługi



1. Pokrętło do włączania zasilania/regulacji głośności/wyboru trybu odtwarzania: naciśnij je krótko, aby włączyć urządzenie po wcześniejszym podłączeniu do zasilania; naciśnij i przytrzymaj przez 3 sekundy, aby przełączyć urządzenie w tryb czuwania; naciśnij je krótko kilkakrotnie, aby zmienić tryb odtwarzania; obróć pokrętło, aby dostosować głośność główną.

2. Pokrętło regulacji niskich tonów: obracaj nim, aby zwiększyć lub zmniejszyć poziom niskich tonów.

3. Gniazdo wejścia liniowego RCA 1

4. Gniazdo wejścia liniowego RCA 2

5. Gniazdo zasilania prądem stałym.

6. Złącze wyjściowe głośnika: podłącz do głośnika satelitalnego aby uzyskać tryb stereo stereo.

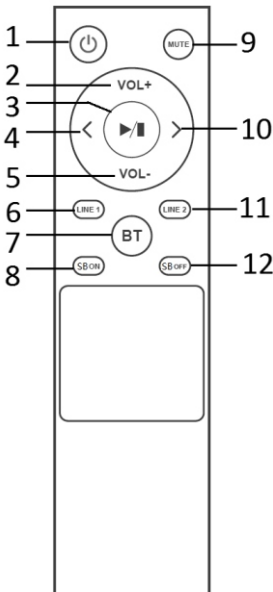
7-8: Czujnik podczerwieni do pilota i okienko z diodą sygnalizacyjną LED:

Kolor czerwony: w trybie czuwania.

Kolor niebieski: w trybie Bluetooth.

Kolor jasnoniebieski: w trybie wejścia liniowego 1.

Kolor żółty: w trybie wejścia liniowego 2.



Pilot zdalnego sterowania

1. Przycisk zasilania: naciśnij, aby włączyć/wyłączyć urządzenie w tryb czuwania.

2,4-Przycisk głośności +/-: naciśnij, aby dostosować głośność wyjściową.

3- Odtwarzanie/pauza: naciśnij, aby odtworzyć lub wstrzymać dźwięk w trybie Bluetooth.

4,10- Przycisk Poprzedni/Następny: naciśnij, aby przełączyć poprzedni/następny utwór w trybie Bluetooth.

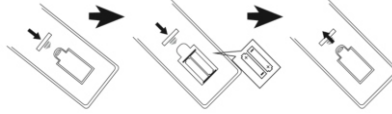
6,7,11- Przycisk wyboru: wejścia liniowego 1/Bluetooth/Wejścia liniowego 2: naciśnij go, aby przejść bezpośrednio do odpowiedniego trybu odtwarzania.

8,12- Przycisk włączania/wyłączania funkcji Super bass: naciśnij, aby włączyć lub wyłączyć funkcję super basu.

9- Przycisk wyciszenia: naciśnij, aby wyciszyć głośnik; naciśnij ponownie, aby wznowić odtwarzanie.

Instalacja baterii pilota zdalnego sterowania

Otwórz komorę baterii i włóż 2 baterie AAA (w zestawie) do komory; upewnij się, że biegunowość baterii jest zgodna z dodatnim i ujemnym symbolem nadrukowanym w komorze. Następnie zamknij komorę baterii.

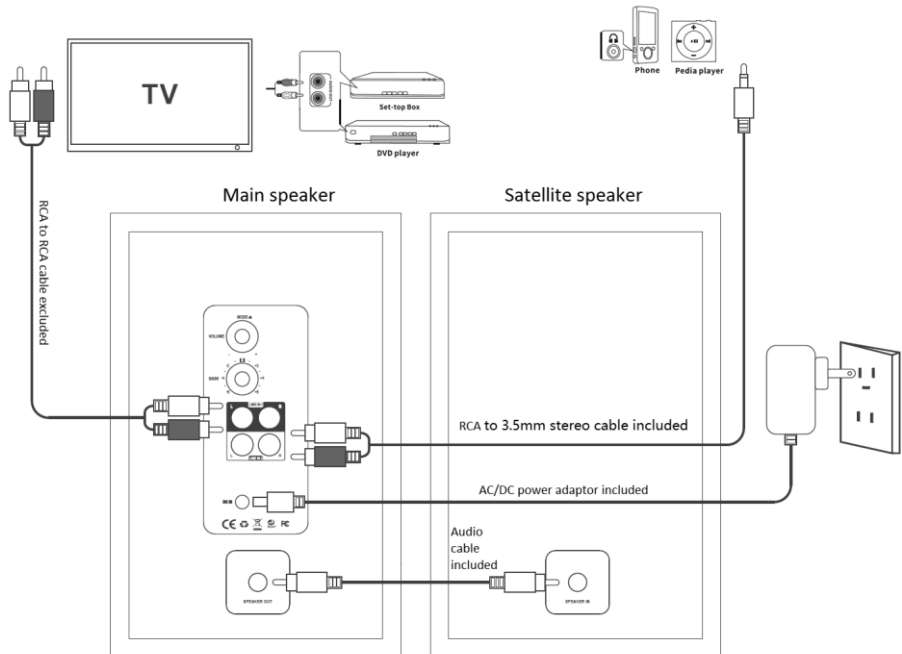


Uwagi:

- Najlepsza odległość robocza pilota zdalnego sterowania to 5 metrów, bez żadnych przeszkód pomiędzy pilotem a głośnikiem głównym. Podczas używania pilota należy go kierować na czujnik pilota zdalnego sterowania, znajdujący się z przodu głośnika głównego.
- Czułość pilota zmniejszy się, gdy baterie zostaną rozładowane. Wówczas należy wymienić je na nowe.
- Należy wyjąć baterie w przypadku nieużywania pilota przez dłuższy czas.
- Baterie należy utylizować w sposób przyjazny dla środowiska. Aby uzyskać szczegółowe informacje, zapoznaj się z wymogami władz lokalnych.

Podłączenie głośnika głównego i satelitarneho: Przed włączeniem głośników najpierw podłącz je ze sobą za pomocą dostarczonego pojedynczego przewodu audio RCA - RCA. Jedną wtyczkę przewodu podłącz do gniazda w głośniku głównym, a drugą wtyczkę podłącz do gniazda w głośniku satelitarnym.

Podłączenie do zasilania: Podłącz dostarczony zasilacz AC/DC do domowego gniazdka AC, aby uzyskać źródło zasilania, a następnie podłącz wtyczkę DC zasilacza do gniazda zasilania na tylnym panelu głośnika głównego. Następnie głośnik przejdzie w tryb gotowości i będzie gotowy do pracy. Krótkie naciśnięcie pokrętki do włączania zasilania na tylnym panelu głośnika głównego lub na pilocie zdalnego sterowania może włączyć głośniki. Długie naciśnięcie (3 sekundy) pokrętki do włączania zasilania na tylnym panelu lub krótkie naciśnięcie przycisku zasilania na pilocie zdalnego sterowania może przełączyć głośniki w tryb czuwania.



Niniejszy model łączy się z urządzeniami zewnętrznymi, takimi jak telewizor, dekoder TV, odtwarzacz DVD, odtwarzacz Blu-ray DVD, odtwarzacz MP3 itp.

Głośnik ma 2 wejścia analogowe RCA (wejście liniowe) dla różnych źródeł. Sprawdź na powyższym rysunku w jaki sposób możesz podłączyć do niniejszego modelu urządzenia zewnętrzne. W zestawie znajduje się przewód stereo RCA- minijack 3,5 mm.

Obsługa Bluetooth

Produkt ten zawiera funkcję Bluetooth, która umożliwia bezprzewodowe odtwarzanie muzyki z innych urządzeń Bluetooth (np. smartfonów, tableatów, telewizorów itp.).

1. Włącz urządzenie, naciśnij przycisk wyboru trybu na tylnym panelu lub przycisk Bluetooth na pilocie, aby przejść do trybu Bluetooth. Niebieska dioda LED zacznie migać w okienku diody LED, co oznacza, że urządzenie jest gotowe do sparowania.
2. Włącz funkcję Bluetooth w urządzeniu zewnętrznym (np. smartfonie) i wyszukaj dostępne urządzenia do sparowania (sprawdź instrukcję obsługi urządzenia zewnętrznego), a następnie sprawdź dostępne urządzenia Bluetooth na liście.
- Wybierz „BP BS40” do sparowania, a niebieska dioda LED na niniejszym modelu stanie się stabilna po pomyślnym sparowaniu.
3. Wybierz i odtwórz muzykę ze swojego urządzenia Bluetooth, dostosuj odpowiednio poziom głośności, a dźwięk zacznie być odtwarzany za pomocą niniejszego modelu.
4. W trybie Bluetooth możesz wykonywać operacje takie jak wybór poprzedniego/następnego utworu, odtwarzanie/pauza, wyciszanie itp., naciskając odpowiedni przycisk na pilocie.

Uwagi:

- a. Nie gwarantujemy się, że wszystkie urządzenia Bluetooth będą się poprawnie parować, ze względu na różną konstrukcję i markę.
- b. Maksymalna odległość robocza Bluetooth wynosi 10 metrów bez żadnych przeszkód pomiędzy urządzeniami.
- c. Urządzenie może sparować się i pracować tylko z jednym urządzeniem Bluetooth w tym samym czasie.
- d. W przypadku połączenia przychodzącego podczas odtwarzania przez Bluetooth; muzyka zostanie tymczasowo zatrzymana i wznowiona po zakończeniu połączenia telefonicznego.

Połączenie Bluetooth z telewizorem: Jeśli telewizor posiada funkcję Bluetooth, niniejszy model może odtwarzać bezprzewodowo dźwięk z telewizora. Należy włączyć funkcję Bluetooth w ustawieniach telewizora i wyszukać urządzenie o nazwie „BP BS40” w celu połączenia. Zapoznaj się z instrukcją obsługi telewizora, aby uzyskać szczegółowe informacje.

Rozwiązywanie problemów

1. Głośnik nie może się włączyć.
 - a. Sprawdź, czy podłączenie zasilania jest prawidłowe.
2. Brak dźwięku.
 - a. Spróbuj wyregulować poziom głośności, sprawdź przycisk wyciszania i źródło odtwarzania.
 - b. Skontaktuj się z centrum serwisowym w celu uzyskania pomocy, jeśli problem nadal występuje.
3. Zniekształcenia dźwięku.
 - a. Spróbuj odtwarzać muzykę przy niższym poziomie głośności.
 - b. Sprawdź stan ustawienia sopranów/basów.
 - c. Spróbuj zmniejszyć poziom głośności w urządzeniu zewnętrznym, takim jak telewizor itp.
4. Przerwywany dźwięk w trybie Bluetooth.
 - a. Spróbuj przenieść urządzenie Bluetooth bliżej speaker.

Specyfikacje

Ogólne

Zasilanie: DC IN 19 V/1,65 A

Pobór mocy (w trybie włączonym): xxx W w trybie pracy

Pobór mocy w trybie czuwania: < 0,5 W

Moc wyjściowa RMS: 2 x 20 W

Całkowite zniekształcenia harmoniczne: < 1% (1 kHz, 1 W)

Czułość wejścia audio: LINE IN 1: 550mV, LINE IN 2: 750mV

Pasma przenoszenia: 45 Hz – 20 KHz; S/R: > / = 80 dB

Obsługa muzyki przez USB: MP3/WAV/WMA (brak gwarancji odtwarzania wszystkich plików)

Maksymalna pojemność pamięci USB: 32 GB

Wymiary urządzenia: 155 x 248 x 175 mm (szer. x wys. x gł.)

Wejścia: 2 x wejście liniowe RCA

Głośniki (rozmiar/impedancja)

Głośnik wysokotonowy: 1,25"/4Ω

Impedancja głośnika niskotonowego: 4"/4Ω

Bluetooth

Wersja Bluetooth: V5.3

Zasięg roboczy: ok. 10 metrów

Częstotliwość transmisji: 2,402~2,480 GHz

Protokoły: 2DP/AVCTP/AVDTP/AVRCP/GAVDP/HFP/HID/OPP/RFCOMM/SPP

A2DP/AVRCP

(Uwagi: specyfikacja produktu może ulec zmianie bez wcześniejszego powiadomienia).

Akcesoria w zestawie:

Pilot zdalnego sterowania x 1 szt.

Bateria do pilota zdalnego sterowania x 1 para

Instrukcja obsługi x 1 szt.

Karta gwarancyjna x 1 szt.

Przewód audio (3,5 mm stereo do RCA) x 1 szt.

Przewód do połączenia głośników: RCA do RCA z pojedynczym złączem x 1 szt.

Zasilacz AC/DC x 1 szt.

DŮLEŽITÉ BEZPEČNOSTNÍ POKYNY**Upozornění:**

Chcete-li snížit riziko úrazu elektrickým proudem, neodstraňujte kryt nebo zadní část zařízení. Uvnitř nejsou žádné prvky určené pro opravu uživatelem. Údržbou a opravami zařízení se zabývá kvalifikovaný servisní personál.

Vysvětlení grafických symbolů:

Symbol blesku se šipkou umístěn v trojúhelníku upozorňuje uživatele na přítomnost neizolovaného "nebezpečného napětí" v prostoru krytu zařízení, které může dosáhnout velikost hrozcí nebezpečí úrazu elektrickým proudem.



Symbol vykřičníku uvnitř rovnostranného trojúhelníku upozorňuje uživatele, že v této části jsou popsány důležité informace týkající se provozu a údržby zařízení v dokumentaci dodané se zařízením.

Před použitím přístroje si přečtěte tento návod, abyste se seznámili s jeho funkcemi a využili je, jak bylo zamýšleno pro zajištění dlouhé životnosti, bezporuchového provozu zařízení a radosti s používáním.

Důležité informace

- Uschovejte tento návod a bezpečnostní informace pro jejich použití v budoucnu.
- Nedovolte, aby na přístroj kapala nebo se lila tekutina.
- Nepoužívejte ve vlhkých místech, jako např. koupelny.
- Neumísťujte tento přístroj na následujících místech:
- Vystavených přímému slunečnímu záření nebo blízko radiátorů.
- Na jiná stereofonní zařízení, která generují teplo.
- Blokovat větrání nebo umísťovat v prašném prostředí.
- V prostorech vystavených otřesům.
- V prostorech s vysokou vlhkostí.
- Neumísťujte zařízení v blízkosti otevřeného ohně nebo svíčky.
- Zařízení lze použít pouze tak, jak je popsáno v tomto návodu.
- Před prvním zapnutím se ujistěte, že napájení bylo řádně připojeno.
- USB paměť se připojuje přímo nebo přes prodlužovací USB kabel s délkou do 25 cm.

Z bezpečnostních důvodů neodstraňujte kryty a nesažte se dostat dovnitř zařízení. Přístroj by měl být opravován pouze kvalifikovaným servisním personálem. Nerozebírejte zařízení ani neotevírejte kryt, protože uvnitř nejsou žádné díly, které mohou být opraveny vlastními silami. Údržbou a opravami zařízení se zabývá výhradně kvalifikovaný servisní personál.

BEZPEČNOSTNÍ POKYNY

1. Přečtěte si pokyny - před použitím zařízení si přečtěte celý návod a bezpečnostní informace.
2. Tyto pokyny uschovejte - uschovejte návod k použití pro použití v budoucnu.
3. Dodržujte varování - dodržujte veškerá varování umístěná na zařízení a v souladu s pokyny.
4. Dodržujte pokyny - postupujte podle pokynů a návodu pro uživatele.
5. Instalace - nastavte zařízení podle pokynů výrobce.
6. Napájecí zdroj - tento produkt by měl být napájen pouze ze zdrojů uvedených na označení na napájecím kabelu. Pokud si nejste jisti, jaký typ napájení máte doma, měli byste se obrátit na svého prodejce nebo místního dodavatele elektrické energie.
7. Uzemnění nebo polarizace napájení - zařízení nemusí být uzemněno. Ujistěte se, že je zástrčka zcela zasunuta do zásuvky ve zdi nebo do prodlužovacího kabelu, aby se zabránilo odhalení kolíků a kontaktů. Některé verze zařízení mohou být vybaveny polarizovanou zástrčkou AC (s kolíkem). Tuto zástrčku lze zasunout do síťové zásuvky pouze jedním způsobem. Toto je bezpečnostní funkce. Pokud nelze vložit zástrčku do zásuvky, zkuste ji otočit. Pokud zástrčka stále nepasuje do zásuvky, požádejte elektrikáře, aby ji vyměnil. Neodstraňujte zabezpečení polarizované zástrčky. Pokud používáte prodlužovací kabel nebo kabel jiný než dodávaný s zařízením, měl/a byste mít odpovídající zástrčky a bezpečnostní osvědčení požadované ve vaší zemi.
8. Zajištění napájecího kabelu - napájecí kabely by měly být vedeny tak, aby nikdo po nich nešlapal, nestiskal a aby nedošlo k odřiznutí části zařízení předměty umístěnými vedle. Věnujte zvláštní pozornost zástrčkám, zásuvkám a místům vyznačujícím se tím, že kabely jsou vyvedeny ven ze zařízení.
9. Přetížení - Nepřetěžujte zásuvky ve zdi, prodlužovací šňůry a elektrické rozvaděče, může to mít za následek poruchu nebo úraz elektrickým proudem.
10. Větrání - Přístroj musí být řádně větran. Nepokládejte výrobek na postel, pohovku, nebo podobný povrch. Nezakrývejte zařízení ubrusy, ubrusky, novinami, atd.
11. Teplo - Neumísťujte zařízení blízko zdrojů tepla jako jsou radiátory, kamna nebo jiné přístroje (včetně zesilovačů), které produkují teplo. Nepokládejte na zařízení zapálené svíčky a jiné otevřené zdroje ohně.
12. Voda a vlhkost - aby se snížilo riziko poruchy nebo úrazu elektrickým proudem, nevystavujte přístroj působení deště, vody a vlhkosti, jako například v sauně, nebo v koupelně. Nepoužívejte toto zařízení v blízkosti vody, například u vany, umyvadla, kuchyňského dřezu nebo prádelní vany, ve vlhkém sklepě nebo v blízkosti bazénu (nebo na podobných místech).
13. Objekty a kapaliny v zařízení - Nevkládejte objekty přes otvory, protože mohou přijít do styku s body nebezpečného napětí a komponenty, které mohou způsobit poruchu nebo úraz elektrickým proudem. Tekutiny by za žádných okolností neměly vniknout na povrch přístroje. Nepokládejte žádné předměty obsahující kapaliny na horní část zařízení.

14. Čištění – před čištěním vždy odpojte přístroj od elektrické zásuvky. Prach kolem reproduktoru lze odstranit jen suchým hadříkem. Pokud je třeba použít čisticí sprej, nesměřujte postřik ne přímo na přístroj, ale na hadřík. Dávejte pozor, aby nedošlo k poškození pohonné jednotky
15. Přídavná zařízení - nepoužívejte příslušenství, která nejsou schválena výrobcem, protože mohou představovat hrozbu.
16. Příslušenství - neumísťujte přístroj na nestabilní vozík, stojan, stativ, držák nebo stůl. Přístroj může spadnout, poškodit se a způsobit vážné zranění dětem nebo dospělým. Použití pouze s vozíkem, stojanem, trojnožkou, držákem nebo stolem, stanoveným výrobcí nebo prodáváním se zařízením. Instalace zařízení by měla být provedena v souladu s pokyny výrobce, za použití montážních sad doporučených výrobcem.
17. Stěhování zařízení - zařízení umístěné na vozíku pohybuje velmi pečlivě. Rychlé zastavení, nadměrné použití síly a nerovné povrchy mohou způsobit převrácení vozíku se zařízením.
18. Období mimo provoz - napájecí šňůra musí být odpojena od zásuvky během bouřky nebo kdy přístroj není používán po dlouhou dobu.
19. Servis - Nepokoušejte se o vlastnoruční prohlídky zařízení. Otevření krytu může způsobit nebezpečné napětí a vystavit uživatele na nebezpečí. Údržbu a opravy zařízení se zabývá výhradně kvalifikovaný servisní personál.
20. Pokud nepoužíváte zařízení, odpojte napájecí kabel od zásuvky ve zdi. Pokud je zařízení připojeno ke zdroji napájení, je v pohotovostním režimu a není zcela vyloučeno.
21. Náhradní díly - při výměně dílů, zkontrolujte, zda zaměstnanec servisu použil náhradní díly specifikované výrobcem, nebo díly stejné díly jako původní. Výměna za neschválené díly hrozí poruchou, úrazem elektrickým proudem nebo jiným nebezpečím.
22. Hlavní pojistky – pro kontinuální zabezpečení zařízení před ohněm, použijte pojistky správného typu a parametrů. Parametry pojistky v rozsahu napětí jsou vyznačeny na přístroji.
23. Nezvyšujte hlasitost při poslechu skladby malé hlasitosti nebo v nepřítomnosti vstupního zvukového signálu. V opačném případě může dojít k poškození reproduktoru při rychlém zvýšení síly signálu.
24. Jediným způsobem, odpojení zařízení od zdroje elektrické energie je odpojení napájecího kabelu od elektrické zásuvky nebo od zařízení. Zásuvka nebo vstupní napájecí kabel k zařízení musí být vždy k dispozici při používání výrobku.
25. Zařízení by mělo být instalováno v blízkosti elektrické zásuvky nebo prodlužovačky a to takovým způsobem, aby bylo vždy k dispozici.
26. Maximální okolní teplota zařízení je 35 °C
27. Pokyny týkající se elektrostatických výbojů - v případě, že činnost zařízení je narušena elektrostatickými výboji, vypněte jej a opětovně zapnete nebo přemístíte přístroj do jiného místa.
28. Baterie
 - A. Baterie nesmí být vystaveny nadměrnému teplu, jako je sluneční záření, oheň atd.
 - B. Při likvidaci baterie, věnujte pozornost environmentálním aspektům.
 - C. Upozornění týkající se používání baterií: aby se zabránilo úniku baterie, což může mít za následek zranění nebo poškození zařízení:
 - Při vkládání baterií dbejte na správnou polaritu (+ a -).
 - Nepoužívejte různé baterie najednou - staré a nové baterie, standardní a alkalické apod.
 - Vyjměte baterie z přístroje, když není používán po delší dobu

Poznámka o ERP2 (zařízení související se spotřebou energie)

Toto zařízení s ekodesignem je v souladu s požadavky části 2 nařízení Komise (ES) 1275/2008 ke směrnici 2009/125/ES o spotřebě energie kterým se provádí směrnice Evropského parlamentu a Rady 2005/32/ES, pokud jde o požadavky na ekodesign z hlediska spotřeby elektrické energie elektrických a elektronických zařízení určených pro domácnosti a kanceláře v pohotovostním režimu a ve vypnutém stavu. Po uplynutí 30 minut bez vstupního audio signálu zařízení se automaticky přepne do pohotovostního režimu. Informace o obnovení normálního provozu lze nalézt v příručce.

Důležité informace:

Tento přístroj je vybaven režimem pro úsporu energie: pokud v rámci 15 minut nebude automaticky podán žádný vstupní signál, přístroj přejde do pohotovostního režimu, aby šetřil energii (ERP standard 2). Je třeba poznamenat, že nízké nastavení hlasitosti ve zdroji audio signálu může být rozpoznáno jako stav "bez zvuku", což může ovlivnit vaši schopnost detekování signálu ze zařízení a způsobit automaticky posun do pohotovostního režimu. V tomto případě, obnovte přenos zvuku a zvýšte hlasitost zdroje zvuku (MP3 přehrávač atd.), pro obnovení přehrávání. Pokud problém přetrvává, obraťte se na místní servisní středisko.

VAROVÁNÍ

Přístroj by neměl být používán osobami (včetně dětí) s fyzickým, smyslovým nebo mentálním postižením a osobami s nedostatečnými znalostmi a zkušenostmi, pokud nejsou pod dohledem osoby odpovědné za jejich bezpečnost a nebyly poučeny, jak bezpečně používat zařízení. Přítomnost dospělých je nutná v případě, že zařízení obsluhuje děti; to umožní zajištění bezpečného provozu zařízení.

1. Nikdy nenechávejte zařízení běžet bez dozoru! Vypněte zařízení, pokud jej nepoužíváte, a to i na krátkou dobu.
2. Neprovazujte přístroj přes externí časovač nebo samostatný systém dálkového ovládní.
3. Aby se zabránilo nebezpečí, v případě poškození napájecího kabelu výměnu by měl dělat výrobce, autorizovaný poskytovatel služeb nebo jiná osoba, mající příslušné kvalifikace.
4. Před použitím zařízení zkontrolujte, zda napětí odpovídá napětí vyskytujícímu se v místní síti.
5. Nezakrývejte větrací otvory novinami, ubrusy, záclonami, atd. Ujistěte se, že nad přístrojem je alespoň 20 cm volného prostoru, a z každé strany - nejméně 5 cm.
6. Nedovolte, aby na přístroj kapaly nebo se lily tekutiny a nepokládejte na něj předměty naplněné kapalinami, jako například vázy.

7. Aby nedošlo k poruše nebo k úrazu elektrickým proudem, nevystavujte zařízení na horká místa, na dešť, vlhkost a prach.
8. Nepokládejte zařízení do blízkosti zdrojů vody, jako jsou kohoutky, vany, pračky nebo bazény. Umístěte zařízení na plochy stabilní povrch.
9. Nevystavujte silnému magnetickému poli.
10. Nepokládejte zařízení přímo na zesilovači nebo přijímači.
11. Nepokládejte přístroj na vlhka místa, protože vlhkost poškozuje elektrické součásti.
12. Přenos zařízení z chladného do teplého prostředí nebo do vlhkého prostoru může vést ke kondenzaci vlhkosti na čočce uvnitř přehrávače. V takové situaci, přístroj nebude pracovat správně. Nechte součásti v přístroji po dobu jedné hodiny pro odpařování vlhkosti.
13. Nečistěte zařízení chemickými rozpouštědly, protože mohou zničit lak skříně. Přístroj se čistí čistým, suchým nebo mírně vlhkým hadříkem.
14. Při odpojování ze zásuvky vždy tahejte za zástrčku, ne za kabel.
15. Když se zapnutý přístroj používá v blízkosti zapnutého televizoru, může být zdrojem narušení obrazu v podobě čar na obrazovce. Kvalita obrazu závisí na vlnovém pásmu TV vysílání. Tento jev neznamena poruchu zařízení nebo televizoru. Vidíte-li tyto čáry, umístěte přístroj do větší vzdálenosti od televizoru.
16. Síťová zástrčka se používá k odpojení napájení a měla by být vždy k dispozici.
17. Chcete-li zabránit možné ztrátě sluchu, neposlouchejte hudbu delší dobu nahlas.

**POZOR**

Prohlášení o shodě

Blaupunkt Competence Center 2N-Everpol Sp. z o.o. tímto prohlašuje, že je toto zařízení v souladu se základními požadavky a dalšími příslušnými ustanoveními směrnice 2014/53 / EU. Prohlášení o shodě lze získat ze stránky produktu na www.blaupunkt.com.

Odpovědná strana: 2N-Everpol Sp. z o.o., Puławska 403A, 02-801 Varšava, Polsko, Tel: +48 22 688 08 00,, E-mail: info@everpol.pl



Naše produkty jsou navrženy a vyrobeny z vysoce kvalitních materiálů a komponent, které jsou recyklovatelné a znovu použitelné.



Pokud je na vašem zařízení symbol přeškrtnutého kontejneru, znamená to, že se na produkt vztahují ustanovení evropské směrnice 2012/19/EU. Na základě toho prosím dodržujte místní předpisy a seznamte se s požadavky na místní systém sběru elektrického a elektronického odpadu a v případě tohoto produktu je dodržujte.

NEVYHAZUJTE TENTO VÝROBEK S DOMÁCÍM ODPADEM!

TENTO PRODUKT OBSAHUJE NEBEZPEČNÉ LÁTKY, SMĚSI A SLOŽKY, KTERÉ V PŘÍPADĚ NEAUTORIZACE MOHOU BÝT ZDROJEM POTENCIÁLNÍCH VLIVŮ NA PŘÍRODNÍ PROSTŘEDÍ A LIDSKÉ ZDRAVÍ!

Správnou likvidací použitého výrobku zabráníte negativním dopadům na životní prostředí a lidské zdraví.



Výrobek obsahuje baterie podléhající směrnici 2006/66/EC, které nelze vyhazovat do běžného domovního odpadu. Informujte se prosím o místních pravidlech o sběru baterií, neboť správnou likvidací pomůžete předcházet negativním důsledkům pro ČESKY životní prostředí a lidské zdraví.

Informace týkající se životního prostředí

Výrobek je zabalen pouze v nezbytném obalu pro jeho ochranu. Snahou naší firmy je, aby byl obalový materiál snadno rozdělitelný na tři materiály: lepenku (krabice), polystyrén (ochranné balení) a polyethylen (sáčky, ochranné fólie z lehčeného plastu). Výrobek se skládá z materiálů, které lze recyklovat a znovu použít v případě demontáže odbornou firmou. Dodržujte prosím místní předpisy týkající se likvidace obalových materiálů, vybitých baterií a starého zařízení.

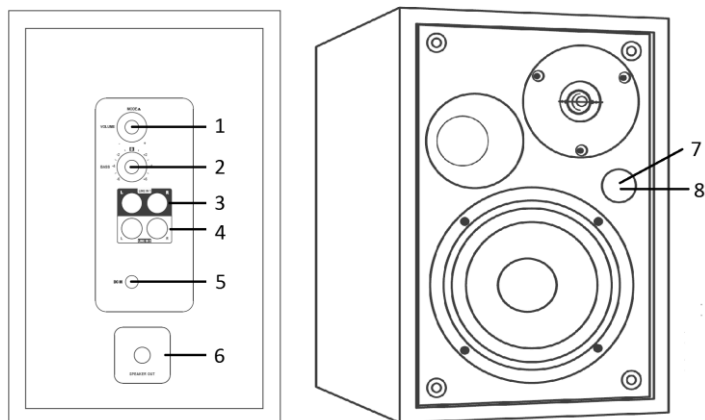
Na nahrávání a přehrávání materiálů může být vyžadován souhlas. Viz Zákon o Copyrightu Act 1956 a Zákon na ochranu umělců Sk 1958-1972.



Bluetooth® název i logo jsou registrované obchodní známky společnosti Bluetooth SIG, Inc. a její použití je zatížené licencí. Ostatní obchodní známky a jména jsou vlastněny jejich vlastníky.

Děkujeme za nákup našeho modelu, před spuštěním zařízení si prosím pečlivě přečtěte a seznamte se s touto příručkou. Uchovejte prosím tuto příručku pro budoucí použití.

Uspořádání ovládacích prvků



1. Otočný knoflík pro zapnutí/ovládání hlasitosti/volbu režimu přehrávání: krátce jej stiskněte pro zapnutí přístroje po prvním připojení k napájení; stisknutím a podržením po dobu 3 sekund přepnete zařízení do pohotovostního režimu; krátkým stisknutím několikrát změňte režim přehrávání; otáčením knoflíku nastavíte hlavní hlasitost.

2. Ovládací knoflík basů: jeho otáčením zvyšujete nebo snižujete úroveň basů.

3. Zásuvka linkového vstupu RCA 1

4. Zásuvka linkového vstupu RCA 2

5. Zásuvka stejnosměrného proudu.

6. Výstupní konektor reproduktoru: připojení k satelitnímu reproduktoru pro stereofonní režim.

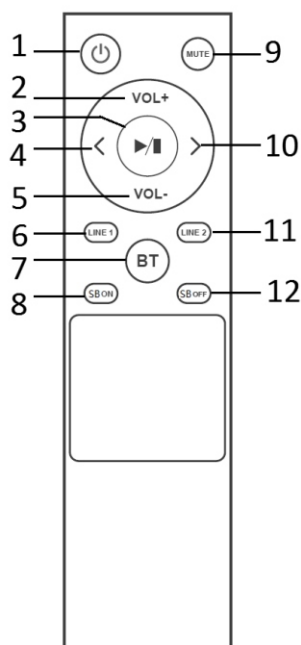
7-8 Infračervený senzor pro dálkové ovládání a okno s kontrolkou LED:

Červená barva: v pohotovostním režimu.

Modrá barva: v režimu Bluetooth.

Světle modrá: V režimu linkového vstupu 1.

Žlutá: v režimu linkového vstupu 2.



Dálkový ovládač

1. Tlačítko napájení: stisknutím přepnete přístroj do pohotovostního režimu.

2,5- Tlačítko hlasitosti +/-: stisknutím nastavíte výstupní hlasitost.

3 - Přehrát/Pozastavit: stisknutím přehrajete nebo pozastavíte zvuk v režimu Bluetooth.

4,10- Tlačítko předchozí/následující: stisknutím přepnete předchozí/následující skladbu v režimu Bluetooth.

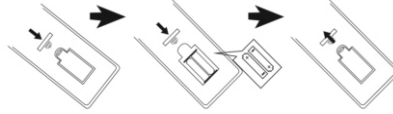
6,7,11- Tlačítko pro výběr: linkový vstup 1/Bluetooth/linkový vstup 2: jeho stisknutím přejdete přímo do příslušného režimu přehrávání.

8,12- Tlačítko pro zapnutí/vypnutí superbasů: stisknutím zapnete nebo vypnete funkci superbasů.

9- Tlačítko ztlumení: stisknutím ztlumíte reproduktor; opětovným stisknutím obnovíte přehrávání.

Instalace baterií do dálkového ovladače

Otevřete přihrádku na baterie a vložte 2 AAA baterie (v sadě) do přihrádky; ujistěte se, že polarita baterií odpovídá kladnému a zápornému symbolu vytištěnému uvnitř přihrádky. Následně zavřete přihrádku na baterie.

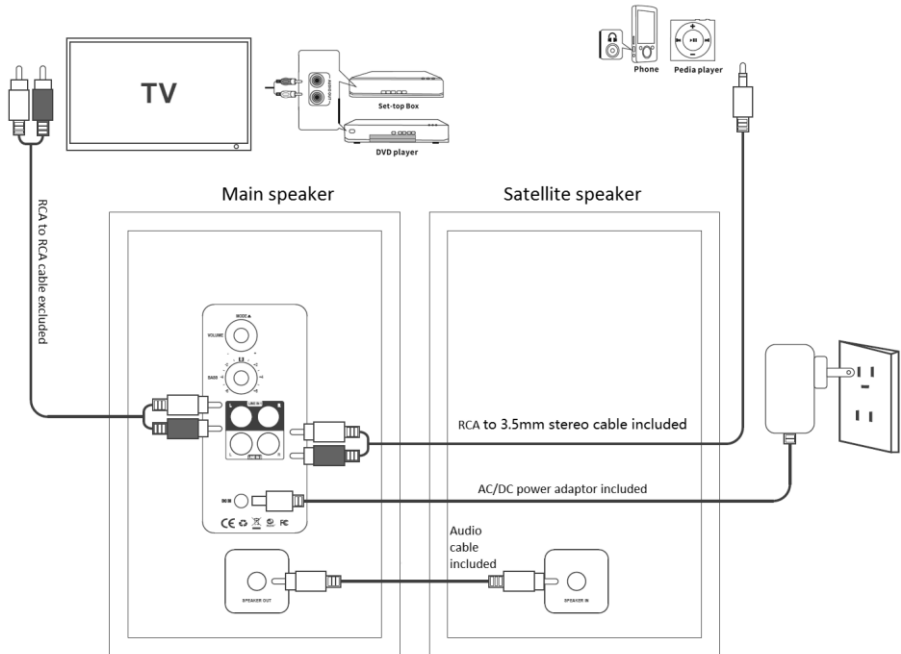


Upozornění:

- Nejllepší pracovní vzdálenost pro dálkové ovládání je 5 metrů, bez překážek mezi dálkovým ovládáním a soundbarem. Pokud používáte dálkový ovladač, nasměrujte jej na senzor dálkového ovladače na přední straně soundbaru.
- Po vybití baterií se citlivost dálkového ovladače snižuje. V tom případě je nutné vyměnit baterie na nové.
- Pokud nebudete dálkový ovladač delší dobu používat, vyjměte baterie.
- Baterie musí být zlikvidovány ekologickým způsobem. Podrobné informace naleznete v požadavcích místních úřadů.

Připojení hlavních a satelitních reproduktorů: Před zapnutím reproduktorů je nejprve propojte pomocí dodaného RCA na RCA (s jedním konektorem) audiokabelu. Jednu zástrčku kabelu připojte do zásuvky hlavního reproduktoru a druhou do zásuvky satelitního reproduktoru.

Připojení k napájení: Připojte dodaný AC/DC adaptér do domácí zásuvky střídavého proudu jako zdroj napájení a poté zapojte DC zástrčku adaptéru do napájecí zásuvky na zadním panelu hlavního reproduktoru. Reproduktor přejde do pohotovostního režimu a bude připraven k použití. Krátkým stisknutím pro zapnutí napájení na zadním panelu hlavního reproduktoru nebo na dálkovém ovladači lze reproduktory zapnout. Dlouhým stisknutím (3 sekundy) knoflíku napájení na zadním panelu nebo krátkým stisknutím tlačítka napájení na dálkovém ovladači lze reproduktory přepnout vypnout pohotovostní režim.



Tento model se připojuje k externím zařízením, jako je televizor, televizní set-top box, přehrávač DVD, přehrávač Blu-ray DVD, přehrávač MP3 atd.

Reproduktor má 2 analogové vstupy RCA (linkový vstup) pro různé zdroje. Na obrázku výše se podívejte, jak můžete k tomuto modelu připojit externí zařízení. Součástí balení je stereoofonní kabel RCA- minijack 3,5 mm.

Obsluha Bluetooth

Tento výrobek je vybaven funkcí Bluetooth, která umožňuje bezdrátové přehrávání hudby z jiných zařízení Bluetooth (např. chytrých telefonů, tabletů, televizorů atd.).

1. Zapněte zařízení, stisknete volič režimů na zadním panelu nebo tlačítko Bluetooth na dálkovém ovladači a přejděte do režimu Bluetooth. V okénku LED bliká modrá LED dioda, což znamená, že se zařízení je připraveno ke spárování.
2. Zapněte funkci Bluetooth na externím zařízení (např. chytrém telefonu) a vyhledejte dostupná zařízení pro spárování (podívejte se do uživatelské příručky externího zařízení), poté zkontrolujte dostupná zařízení Bluetooth v seznamu. Pro spárování vyberte "BP BS40" a modrá kontrolka LED na tomto modelu se při úspěšném spárování rozsvítí.
3. Vyberte a přehrávejte hudbu ze zařízení Bluetooth, nastavte odpovídajícím způsobem hlasitost a zvuk se začne přehrávat prostřednictvím tohoto modelu.
4. V režimu Bluetooth můžete provádět operace, jako je výběr předchozí/následující skladby, přehrávání/pauza, ztlumení zvuku atd., stisknutím příslušného tlačítka na dálkovém ovladači.

Upozornění:

- a. Vzhledem k různým konstrukcím a značkám není zaručeno, že se všechna zařízení Bluetooth správně spárují.
- b. Maximální provozní vzdálenost Bluetooth je 10 metrů bez překážek mezi zařízeními.
- c. Zařízení lze spárovat a pracovat vždy pouze s jedním zařízením Bluetooth.
- d. V případě příchodního hovoru během přehrávání přes Bluetooth; hudba se dočasně zastaví a obnoví se po ukončení telefonního hovoru.

Připojení Bluetooth k televizoru: Pokud je televizor vybaven funkcí Bluetooth, může tento model přehrávat zvuk bezdrátově z televizoru. V nastavení televizoru aktivujte funkci Bluetooth a vyhledejte zařízení s názvem "BP Bs40", ke kterému se chcete připojit. Podrobnosti naleznete v návodu k obsluze televizoru.

Řešení problémů

1. Reproduktor nelze zapnout.
 - a. Zkontrolujte, zda je správně připojeno napájení.
2. Žádný zvuk.
 - a. Zkuste upravit hlasitost, zkontrolujte tlačítko ztlumení a zdroj přehrávání.
 - b. Pokud problém přetrvává, požádejte o pomoc servisní středisko.
3. Zkreslení zvuku.
 - a. Zkuste hudbu přehrávat s nižší úrovní hlasitosti
 - b. Zkontrolujte stav nastavení výšek / basů.
 - c. Zkuste snížit hlasitost na externím zařízení, jako je televizor atd.
4. Přerušovaný zvuk v režimu Bluetooth.
 - a. Zkuste přesunout zařízení Bluetooth blíže k reproduktoru.

Specifikace

Obecné

Napájení: DC IN 19V/1,65 A

Spotřeba energie (v zapnutém režimu): xxx W v provozním režimu

Příkon v pohotovostním režimu: <0,5 W

Výstupní výkon RMS: 2 x 20 W

Celkové harmonické zkreslení: <1 % (1 kHz, 1 W)

Citlivost zvukového vstupu: VSTUPNÍ LINKA 1: 550 mV, VSTUPNÍ LINKA 2: 750 mV

Frekvenční odezva: 45 Hz – 20 KHz S/R: >= 80 dB

Podpora hudby z USB: MP3/WAV/WMA (přehrávání všech souborů není zaručeno)

Maximální kapacita paměti USB: 32 GB

Rozměry zařízení 155 x 248 x 175 mm (š x v x h)

Vstupy: 2 x linkový vstup RCA

Reproduktory (velikost/impedance)

Výškový reproduktor: 1,25"/4Ω

Impedance woofery: 4"/4Ω

Bluetooth

Verze Bluetooth: V5.3

Pracovní dosah: přibližně 10 metrů

Přenosová frekvence: 2,402 ~ 2,480 GHz

PROTOKOL 2DP/AVCTP/AVDTP/AVRCP/GAVDP/HFP/HID/OPP/RFCOMM/SPP

A2DP/AVRCP

(Poznámky: specifikace produktu se mohou změnit bez předchozího upozornění).

Součásti balení je příslušenství:

Dálkové ovládání x 1 ks

Baterie pro dálkové ovládání x 1 pár

Návod k obsluze x 1 ks

Záruční list x 1 ks

Audio kabel (3,5 mm stereo na RCA) x 1 ks

Kabel pro připojení reproduktorů: RCA na RCA s jedním konektorem x 1 ks.

AC/DC adaptér x 1 ks

DŮLEŽITÉ BEZPEČNOSTNÉ POKYNY**UPOZORNENIE**

Nebezpečenstvo úrazu elektrickým prúdom
NEOTVÁRAŤ

Upozornenie:

Ak chcete znížiť riziko úrazu elektrickým prúdom, neodstraňujte kryt alebo zadnú časť zariadenia. Vnútri nie sú žiadne prvky určené na opravu používateľom. Údržbou a opravami zariadení sa zaoberá len kvalifikovaný servisný personál.

Vysvetlenie grafických symbolov:

Symbol blesku so šípkou umiestnený v trojuholníku upozorňuje užívateľa na prítomnosť neizolovaného "nebezpečného napätia" v priestore krytu zariadenia, ktoré môže dosiahnuť veľkosť hroziacu nebezpečenstvo úrazu elektrickým prúdom.



Výkričník vo vnútri rovnostranného trojuholníka upozorňuje užívateľa, že v tejto časti sú popísané dôležité informácie týkajúce sa prevádzky a údržby zariadení v dokumentácii dodanej so zariadením.

Pred použitím prístroja si prečítajte tento návod, aby ste sa oboznámili s jeho funkciami a využili je, ako bolo zamýšľané pre zaistenie dlhšej životnosti, bezporuchovej prevádzky zariadenia a radosti s použitia.

Dôležité informácie

- Ušchovajte tento návod a bezpečnostné informácie pre ich použitie v budúcnosti.
- Nedovoľte, aby na prístroj kvapkala alebo sa lila tekutina.
- Nepoužívajte vo vlhkých miestach, ako napr kúpeľne.
- Neumiestňujte tento prístroj na nasledujúcich miestach:
- Vystavených priamemu slnečnému žiareniu alebo blízko radiátorov.
- Na iné stereofónne zariadenie, ktoré generujú teplo.
- Blokovať vetranie alebo umiestňovať v prašnom prostredí.
- V priestoroch vystavených otrasom.
- V priestoroch s vysokou vlhkosťou.
- Neumiestňujte zariadenie v blízkosti otvoreného ohňa alebo sviečky.
- Zariadenie je možné použiť iba tak, ako je popísané v tomto návode.
- Pred prvým zapnutím sa uistite, že napájanie bolo správne pripojené.
- USB pamäť sa pripája priamo alebo cez predlžovací USB kábel s dĺžkou do 25 cm.

Z bezpečnostných dôvodov neodstraňujte kryty a nesnažte sa dostať dovnútra zariadenia. Prístroj by mal byť opravovaný iba kvalifikovaným servisným personálom. Nerozoberajte zariadenie ani neotvárajte kryt, pretože vo vnútri nie sú žiadne diely, ktoré môžu byť opravené vlastnými silami. Údržbou a opravami zariadení sa zaoberá výhradne kvalifikovaný servisný personál.

BEZPEČNOSTNÉ POKYNY

1. Prečítajte si pokyny - pred použitím zariadenia si prečítajte celý návod a bezpečnostné informácie.
2. Tieto pokyny uschovajte - uschovajte návod na použitie pre použitie v budúcnosti.
3. Dodržiavajte varovanie - dodržujte všetky varovania umiestnené na zariadení a v súlade s pokynmi.
4. Dodržiavajte pokyny - postupujte podľa pokynov a návodu pre užívateľa.
5. Inštalácia - nastavte zariadenie podľa pokynov výrobcu.
6. Napájacie zdroje - tento produkt by mal byť napájaný iba zo zdrojov uvedených na označenie na napájacom kábli. Ak si nie ste istí, aký typ napájania máte doma, mali by ste sa obrátiť na svojho predajcu alebo miestneho dodávateľa elektrickej energie.
7. Uzemnenie alebo polarizácia napájania - zariadenie nemusí byť uzemnené. Uistite sa, že je zástrčka úplne zasunutá do zásuvky v stene alebo do predlžovacieho kábla, aby sa zabránilo odhaleniu kolíkov a kontaktov. Niektoré verzie zariadenia môžu byť vybavené polarizovanou zástrčkou AC (s kolíkom). Túto zástrčku je možné zasunúť do sieťovej zásuvky iba jedným spôsobom. Toto je bezpečnostná funkcia. Ak nie je možné vložiť zástrčku do zásuvky, skúste ju otočiť. Ak zástrčka stále nepasuje do zásuvky, požiadajte elektrikára, aby ju vymenil. Neodstraňujte zabezpečenia polarizovanej zástrčky. Ak používate predlžovací kábel alebo kábel iný ako dodávaný s zariadením, mal / a by ste mať zodpovedajúce zástrčky a bezpečnostné osvedčenie požadované vo vašej krajine.
8. Zaistenie napájacieho kábla - napájacie káble by mali byť vedené tak, aby nikto po po nich nešliapal, nestiskal a aby nedošlo k odrezaniu časti zariadenia predmetami umiestnenými vedľa. Venujte zvláštnu pozornosť zástrčkám, zásuvkám a miestam vyznačujúcim sa tým, že káble sú vyvedené von zo zariadenia.
9. Preťaženie - nepreťažujte zásuvky, predlžovacie šnúry a elektrické rozvádzače, môže to mať za následok poruchu alebo úraz elektrickým prúdom.
10. Vetranie - Prístroj musí byť riadne vetranie. Nekladte výrobok na posteľ, pohovku, alebo podobný povrch. Nezakrývajte zariadenie obrusy obrúsky, novinami, atď
11. Teplo - Neumiestňujte zariadenie blízko zdrojov tepla ako sú radiátory, kachle alebo iné prístroje (vrátane zosilňovačov), ktoré produkujú teplo. Nekladte na zariadenie zapálené sviečky a iné otvorené zdroje ohňa.
12. Voda a vlhkosť - aby sa znížilo riziko poruchy alebo úrazu elektrickým prúdom, nevystavujte prístroj pôsobeniu dažďa, vody a vlhkosti, ako napríklad v saune, alebo v kúpeľni. Nepoužívajte toto zariadenie v blízkosti vody, napríklad pri vani, umývadle, kuchynského drezu alebo vane, vo vlhkej pivnici alebo v blízkosti bazéna (alebo na podobných miestach).
13. Objekty a kvapaliny v zariadení - Nevkladajte objekty cez otvory, pretože môžu prísť do styku s bodmi nebezpečného napätia a komponenty, ktoré môžu spôsobiť poruchu alebo úraz elektrickým prúdom. Tekutiny by za žiadnych okolností nemali vniknúť na povrch prístroja. Nekladte žiadne predmety obsahujúce kvapaliny na hornú časť zariadenia.

14. Čistenie - pred čistením vždy odpojte prístroj od elektrickej zásuvky. Prach okolo reproduktora možno odstrániť len suchou handričkou. Ak je potrebné použiť čistiaci sprej, nesmerujte postrek nie priamo na prístroj, ale na handričku. Dávajte pozor, aby nedošlo k poškodeniu pohonnej jednotky
15. Prídavné zariadenia - nepoužívajte príslušenstvo, ktoré nie sú schválené výrobcom, pretože môžu predstavovať hrozbu.
16. Príslušenstvo - neumiestňujte prístroj na nestabilný vozík, stojan, statív, držiak alebo stôl. Prístroj môže spadnúť, poškodiť sa a spôsobiť vážne zranenie deťom alebo dospelým. Použitie iba s vozikom, stojanom, trojnožkou, držiakom alebo stolom, stanoveným výrobcovia alebo predávajúci sa so zariadením. Inštalácia zariadenia by mala byť vykonaná v súlade s pokynmi výrobcu, za použitia montážnych sád odporúčaných výrobcom.
17. Sťahovanie zariadenia - zariadenie umiestnené na vozíku pohybuje veľmi starostlivo. Rýchle zastavenie, použitie nadmernej sily a nerovné povrchy môžu spôsobiť prevrátenie vozíka so zariadením.
18. Obdobie mimo prevádzky - napájací šnúra musí byť odpojená od zásuvky počas búrky alebo keď prístroj nie je používaný po dlhú dobu.
19. Servis - Nepokúšajte sa o vlastnoručný prehľadky zariadení. Otvorenie krytu môže spôsobiť nebezpečné napätie a vystaviť užívateľa na nebezpečenstvo. Údržbu a opravy zariadení sa zaoberá výhradne kvalifikovaný servisný personál.
20. Ak nepoužívate zariadenie, odpojte napájací kábel od zásuvky v stene. Ak je zariadenie pripojené k zdroju napájania, je v pohotovostnom režime a nie je úplne vylúčené.
21. Náhradné diely - pri výmene dielov, kontrolujte, či zamestnanec servisu použil náhradné diely špecifikované výrobcom, alebo diely rovnaké ako pôvodné. Výmena za neschválené diely hrozí poruchou, úrazom elektrickým prúdom alebo iným nebezpečenstvom.
22. Hlavné poistky - pre kontinuálne zabezpečení zariadenia pred ohňom, použite poistky správneho typu a parametrov. Parametre poistky v rozsahu napätia sú vyznačené na prístroji.
23. Nezvyšujte hlasitosť pri počúvaní skladby malej hlasitosti alebo v neprítomnosti vstupného zvukového signálu. V opačnom prípade môže dôjsť k poškodeniu reproduktora pri rýchlom zvýšení sily signálu.
24. Jediným spôsobom odpojenia zariadenia od zdroja elektrickej energie je odpojenie napájacieho kábla od elektrickej zásuvky alebo od zariadenia. Zásuvka alebo vstupný napájací kábel k zariadeniu musí byť vždy k dispozícii pri používaní výrobku.
25. Zariadenie by malo byť inštalované v blízkosti elektrickej zásuvky alebo predlžovačky a to takým spôsobom, aby bolo vždy k dispozícii.
26. Maximálna okolitá teplota zariadenia je 35 ° C
27. Pokyny týkajúce sa elektrostatických výbojov - v prípade, že činnosť zariadenia je narušená elektrostatickými výbojmi, vypnite ho a opätovne zapnete alebo premiestnite prístroj do iného miesta.
28. Batérie
 - A. Batérie nesmú byť vystavené nadmernému teplu, ako je slnečné žiarenie, oheň atď
 - B. Pri likvidácii batérie, venujte pozornosť environmentálnym aspektom.
 - C. Upozornenia týkajúce sa používania batérií: aby sa zabránilo úniku batérie, čo môže mať za následok zranenie alebo poškodenie zariadenia:
 1. Pri vkladaní batérií dbajte na správnu polaritu (+ a -).
 2. Nepoužívajte rôzne batérie naraz - staré a nové batérie, štandardné a alkalické atď
 3. Vyberte batérie z prístroja, keď nie je používaný po dlhšiu dobu

Poznámka o ERP2 (zariadenia súvisiace so spotrebou energie)

Toto zariadenie s ekodizajnom je v súlade s požiadavkami časti 2 nariadenia Komisie (ES) 1275/2008 k smernici 2009/125/ES o spotrebe energie ktorých sa vykonáva smernica Európskeho parlamentu a Rady 2005/32/ES, pokiaľ ide o požiadavky na ekodizajn z hľadiska potreby elektrickej energie elektrických a elektronických zariadení v domácnosti a kancelárii v pohotovostnom režime a vo vypnutom stave. Po uplynutí 15 minút bez vstupného audio signálu zariadenie sa automaticky prepne do pohotovostného režimu. Informácie o obnovenie normálnej prevádzky možno nájsť v príručke.

Dôležité informácie:

Tento prístroj je vybavený režimom pre úsporu energie: ak v rámci 30 minút nebude automaticky podaný žiadny vstupný signál, prístroj prejde do pohotovostného režimu, aby šetril energiu (ERP štandard 2). Je potrebné poznamenať, že nízke nastavenie hlasitosti v zdroji audio signálu môže byť rozpoznané ako stav "bez zvuku", čo môže ovplyvniť vašu schopnosť detekovanie signálu zo zariadenia a spôsobiť automaticky posun do pohotovostného režimu. V tomto prípade, obnovte prenos zvuku a zvýšte hlasitosť zdroja zvuku (MP3 prehrávač atď), pre obnovenie prehrávania. Ak problém pretrváva, obráťte sa na miestne servisné stredisko.

VAROVANIE

Prístroj by nemal byť používaný osobami (vrátane detí) s fyzickým, zmyslovým alebo mentálnym postihnutím a osobami s nedostatočnými znalosťami a skúsenosťami, pokiaľ nie sú pod dohľadom osoby zodpovednej za ich bezpečnosť a neboli poučené, ako bezpečne používať zariadenie. Prítomnosť dospelých je nutná v prípade, že zariadenie obsluhujú deti; to umožní zabezpečenie bezpečnej prevádzky zariadenia.

1. Nikdy nenechávajte zariadenie bežať bez dozoru! Vypnite zariadenie, ak ho nepoužívate, a to aj na krátku dobu.
2. Nepoužívajte prístroj cez externý časovač alebo samostatný systém diaľkového ovládania.
3. Aby sa zabránilo nebezpečenstvu, v prípade poškodenia napájacieho kábla výmenu by mal robiť výrobca, autorizovaný poskytovateľ služieb alebo iná osoba, majúca príslušné kvalifikácie.
4. Pred použitím zariadenia skontrolujte, či napätie zodpovedá napätiu vyskytujúcemu sa v miestnej sieti.
5. Nezakrývajte vetracie otvory novinami, obrusmi, záclonami, atď Uistite sa, že nad prístrojom je aspoň 20 cm voľného priestoru, az každej strany - najmenej 5 cm.
6. Nedovoľte, aby na prístroj kvapkali alebo sa lily tekutiny a nekladte naň predmety naplnené kvapalinami, ako napríklad vázy.

7. Aby nedošlo k poruche alebo k úrazu elektrickým prúdom, nevystavujte zariadenie na horúčavy miesta, na dážď, vlhkosť a prach.
8. Nepokladajte zariadenie do blízkosti zdrojov vody, ako sú kohútiky, vane, práčky alebo bazény. Umiestnite zariadenie na rovný stabilný povrch.
9. Nevystavujte silnému magnetickému poľu.
10. Nekladte zariadenie priamo na zosilňovači alebo prijímači.
11. Nekladte prístroj na vlhka miesta, pretože vlhkosť poškodzuje elektrické súčasti.
12. Prenos zariadení z chladného do teplého prostredia alebo do vlhkého priestoru môže viesť ku kondenzácii vlhkosti na šošovke vo vnútri prehrávača. V takejto situácii, prístroj nebude pracovať správne. Nechajte súčasťou v prístroji po dobu jednej hodiny pre odparovanie vlhkosti.
13. Nečistite zariadenie chemickými rozpúšťadlami, pretože môžu zničiť lak skrinčín. Prístroj sa čistí čistým suchým alebo mierne vlhkou handričkou.
14. Pri odpájaní zo zásuvky vždy tahajte za zástrčku, nie za kábel.
15. Keď sa zapnutý prístroj používa v blízkosti zapnutého televízora, môže byť zdrojom narušenia obrazu v podobe čiar na obrazovke. Kvalita obrazu závisí na vlnovom pásme TV vysielania. Tento jav neznamená poruchu zariadenia alebo televízora. Vidíte-li tieto čiary, umiestnite prístroj do väčšej vzdialenosti od televízora.
16. Sietová zástrčka sa používa na odpojenie napájania a mala by byť vždy k dispozícii.
17. Ak chcete zabrániť nožnej strate sluchu, nepočúvajte hudbu dlhšiu dobu nahlas.



POZNÁMKA



Prehlásenie o zhode

Blaupunkt Competence Center 2N-Everpol Sp. z o.o. týmto prehlasuje, že je toto zariadenie v súlade so základnými požiadavkami a ďalšími príslušnými ustanoveniami smernice 2014/53 / EU. Prehlásenie o zhode je možné získať zo stránky produktu na www.blaupunkt.com. Zodpovedná strana: 2N-Everpol Sp. z o.o., Puławska 403A, 02-801 Varšava, Poľsko, Tel: +48 22 688 08 00,, E-mail: info@everpol.pl



Naše produkty sú navrhnuté a vyrobené z vysoko kvalitných materiálov a komponentov, ktoré sú recyklovateľné a znovu použiteľné.



Ak sa na vašom zariadení nachádza symbol prečiarknutého odpadkového koša s kolieskami, znamená to, že sa na produkt vzťahujú ustanovenia európskej smernice 2012/19/EÚ. Na základe toho sa prosím riadte miestnymi predpismi a oboznámte sa s požiadavkami na miestny systém zberu elektrického a elektronického odpadu a v prípade tohto produktu ich dodržujte.

NEVYHADZUJTE TENTO VÝROBOK S DOMÁCIMI ODPADMI!

TENTO VÝROBOK OBSAHUJE NEBEZPEČNÉ LÁTKY, ZMESI A KOMPONENTY, KTORÉ V PRÍPADE BEZ AUTORIZÁCIE MÔŽU BYŤ ZDROJOM POTENCIÁLNYCH VPLYVOV NA PRÍRODNÉ PROSTREDIE A ĽUDSKÉ ZDRAVIE!

Správna likvidácia použitého výrobku zabráni negatívnym vplyvom na životné prostredie a ľudské zdravie.



Výrobok obsahuje batérie, ktoré smernicu 2006/66 / EC nemožno vyhadzovať do bežného domového odpadu. Informujte sa prosím o miestnych pravidlách separovaného zberu batérií, pretože správnu likvidáciu pomôžete predchádzať negatívnym dôsledkom pre životné prostredie a ľudské zdravie.

INFORMÁCIE TÝKAJÚCE SA ŽIVOTNÉHO PROSTREDIA

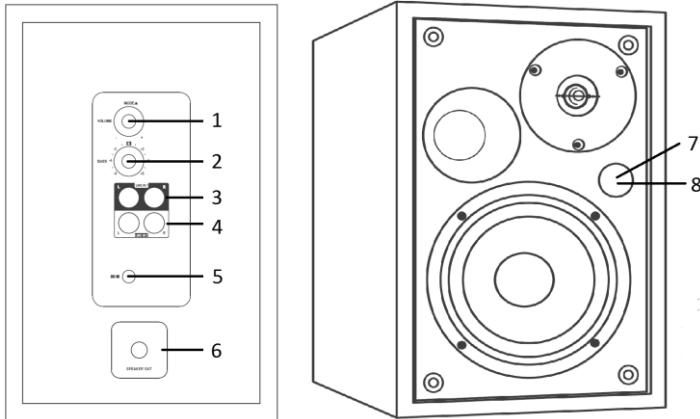
Výrobok je zabalený len v nevyhnutnom obale pre jeho ochranu. Snahou našej firmy je, aby bol obalový materiál ľahko rozdeliteľný na tri materiály: kartón (krabica), polystyrénová pena (vypodloženie) a polyetylén (vrecká, ochranná penová pokrývka). Výrobok sa skladá z materiálov, ktoré je možné recyklovať a znovu použiť v prípade demontáže odbornou firmou. Dodržujte prosím miestne predpisy týkajúce sa likvidácie obalových materiálov, vybitých batérií a starého zariadenia. Na nahrávanie a prehrávanie materiálov môže byť vyžadovaný súhlas. Pozri Zákon o copyrightu Act 1956 a Zákon na ochranu umelcov Sk 1958-1972.



Známka a logo Bluetooth® sú registrované obchodné známky spoločnosti Bluetooth SIG, Inc. a jej použitie je zaťažené licenciou. Ostatné obchodné známky a mená sú vlastnené ich vlastníkmi.

Ďakujeme, že ste si vybrali náš model. Predtým, než začnete toto zariadenie používať, dôkladne si prečítajte a oboznámte sa s touto príručkou. Príručku uchovajte pre prípadnú potrebu v budúcnosti.

Rozmiestnenie ovládacích prvkov:



1. Koliesko zapínania/nastavovania hlasitosti/výberu režimu prehrávania: krátko stlačte koliesko, zariadenie sa zapne (keď je už pripojené k el. napätiu); stlačte a na 3 sekundy podržte, prepnete zariadenie do pohotovostného režimu; stláčaním kolieska zmeníte režim prehrávania; otáčaním kolieska nastavíte hlavnú hlasnosť.

2. Koliesko nastavenia nízkych tónov: otáčaním zvýšite alebo znížite úroveň nízkych tónov.

3. Port líniového vstupu RCA 1

4. Port líniového vstupu RCA 2

5. Zásuvka napájania jednosmerným prúdom.

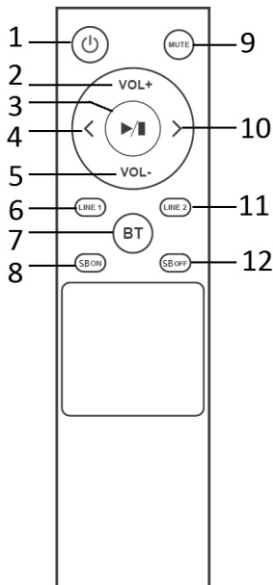
6. Výstupný konektor reproduktora: pripojenie k satelitnému reproduktoru, keď chcete počúvať hudbu stereo

7-8: Infráčervený snímač na diaľkové ovládanie a okienko so signalizačnou LED kontrolkou:

Modrá: režim Bluetooth.

Svetlomodrá farba: v režime líniového vstupu 1.

Žltá farba: v režime líniového vstupu 2.



Diaľkový ovládač

1. Tlačidlo napájania: stlačte, zapnete/vypnete zariadenie do pohotovostného režimu.

2,5 – Tlačidlo hlasitosti +/-: stlačte, nastavte výstupnú hlasnosť.

3 – Prehrávanie/pauza: stlačte v režime Bluetooth, prehrávanie spustíte alebo pozastavíte.

4,10 – Tlačidlo predchádzajúce/nasledujúce: stlačte v režime Bluetooth, prepnete na predchádzajúcu/nasledujúcu stopu/skladbu.

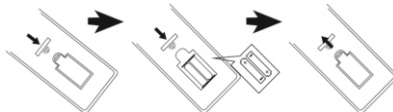
6,7,11 – Tlačidlo výberu: líniový vstup 1/Bluetooth/líniový vstup 2: stlačte, keď chcete prejsť rovno na príslušný režim prehrávania.

8,12 – Tlačidlo zapnutia/vypnutia funkcie Super bas: stlačte, zapnete alebo vypnete funkciu Super bas.

9 – Tlačidlo stlmenia: stlačte, úplne stlmíte reproduktor; opätovne stlačte, prehrávanie sa obnoví.

Vloženie batérií do diaľkového ovládača

Otvorte komoru batérií a vložte do nej 2 batérie typu AAA (sú súčasťou súpravy); zachovajte správnu polaritu batérií (kladný a záporný pól), tak ako je to predstavené na komore batérií.

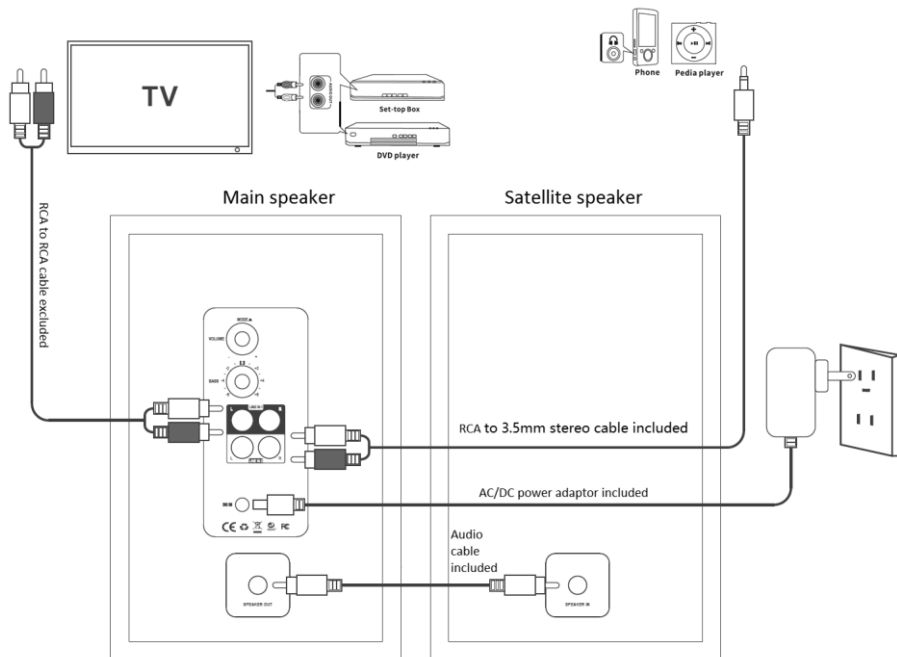


Poznámky:

- Najlepší pracovný dosah diaľkového ovládača je 5 metrov, bez akýchkoľvek prekážok medzi diaľkovým ovládačom a soundbarom. Diaľkový ovládač pri používaní smerujte na snímač diaľkového ovládača, ktorý je umiestnený na prednej strane soundbaru.
- Citlivosť diaľkového ovládača je nižšia, keď sú batérie vybité. V takom prípade ich vymeňte za nové.
- Ak diaľkový ovládač nebudete dlhší čas používať, vyberte z neho batérie.
- Batérie odstráňte náležitým spôsobom, šetrne k životnému prostrediu. Bližšie a podrobnejšie informácie vám poskytnie miestna samospráva.

Pripojenie hlavného a satelitných reproduktorov: Pred zapnutím reproduktorov najprv ich navzájom prepojte s použitím dodaného RCA k RCA (jednotlivý konektor), audio kábla. Jeden konektor kábla pripojte do portu v hlavnom reproduktore, a druhý konektor pripojte do portu na satelitnom reproduktore

Pripojenie k napájaniu: Zastrčte dodaný adaptér striedavého/jednosmerného (AC/DC) prúdu do el. zásuvky striedavého prúdu (AC), ako zdroj el. napätia, a následne zastrčte konektor DC adaptéra do portu jednosmerného (DC) prúdu na zadnej strane panela hlavného reproduktora. Reproduktor sa následne prejde do pohotovostného režimu a bude pripravený na použitie. Krátko stlačte koliesko zapínania napájania na zadnom paneli hlavného reproduktora alebo na diaľkovom ovládači, reproduktory zapnete. Stlačte a na cca 3 sekundy podržte . koliesko zapínania napájania na zadnom paneli alebo krátko stlačte tlačidlo napájania na diaľkovom ovládači, môžete reproduktory prepnúť do vypnete pohotovostný režim.



Tento model sa pripája k externým zariadeniam, ako sú televízory, TV dekodéry, DVD prehrávače, Blu-ray prehrávače, MP3 prehrávače ap.

Reproduktor má 2 analógové vstupy RCA (líniový vstup) pre rôzne zdroje. Na obrázku vyššie sú predstavené spôsoby priporenia externých zariadení k tomuto modelu. V súprave je stereo kábel RCA – minijack 3,5 mm.

Používanie Bluetooth

Tento výrobok má funkciu Bluetooth, ktorá umožňuje bezdrôtovo prehrávať hudbu z iných Bluetooth zariadeniach (napr. smartfónov, tabletov, televízorov ap.).

1. Zariadenie zapnite, stlačte tlačidlo voľby režimov na zadnom paneli alebo tlačidlo Bluetooth na diaľkovom ovládači, a aktivujte režim Bluetooth. Modrá LED kontrolka začne blikať v okienku LED kontrolky, to znamená, že zariadenie je pripravené na párovanie.
2. Zapnite funkciu Bluetooth na externom zariadení (napr. smartfóne) a vyhľadajte zariadenia dostupné na spárovanie (pozrite si príručku externého zariadenia), a následne skontrolujte dostupné zariadenia Bluetooth na zozname. Na spárovanie vyberte „BP BS40“, po úspešnom spáovaní modrá LED kontrolka začne svietiť (stálym svetlom).
3. Vyberte a spustíte prehrávanie hudby na Bluetooth zariadení, príslušne nastavte hlasitosť, zvuk sa bude prehrávať prostredníctvom tohto modelu.
4. V režime Bluetooth môžete vykonávať nasledujúce operácie: výber predchádzajúcej/nasledujúcej stopy/skladby, prehrávanie/pozastavenie, stlmenie ap. stlačením príslušného tlačidla na diaľkovom ovládači.

Poznámky:

- a. Nemôžeme zaručiť, že všetky zariadenia Bluetooth sa správne spárujú, vzhľadom na rôzne štandardy a prístup rôznych značiek.
- b. Najlepší pracovný dosah Bluetooth je do cca 10 metrov, bez žiadnych prekážok medzi zariadeniami.
- c. Zariadenie sa dokáže spárovať a pracovať len s jedným zariadením Bluetooth naraz.
- d. Keď počas prehrávania prostredníctvom Bluetooth prijmete prichádzajúci hovor; hudba sa dočasne zastaví a obnoví sa po ukončení hovoru.

Bluetooth prepojenie s televízorom: Ak má televízor funkciou Bluetooth, tento model môže bezdrôtovo prehrávať zvuk z televízora. V nastaveniach televízora aktivujte funkciu Bluetooth a na spárovanie vyhľadajte zariadenie s názvom „BP BS40“. Potrebné informácie sú uvedené v príručke televízora.

Riešenie problémov

1. Reproduktor sa nechce zapnúť.
 - a. Skontroluje, či je zariadenie správne pripojené k el. napätiu.
2. Žiadny zvuk.
 - a. Skúste nastaviť úroveň hlasitosti, skontrolujte tlačidlo stlmenia a zdroj prehrávania.
 - b. Ak sa problém nepodarilo vyriešiť, obráťte sa na servisné centrum, ktoré vám poskytne potrebnú pomoc.
3. Zvuk je deformovaný.
 - a. Skúste prehrávať pri nižšej úrovni hlasitosti.
 - b. Skontrolujte nastavenie vysokých/nízkych tónov.
 - c. Skúste znížiť hlasitosť externého zariadenia, napríklad televízoru ap.
4. Prerušovaný zvuk pri Bluetooth režime
 - a. Skúste umiestniť Bluetooth zariadenie bližšie pri reproduktore.

Špecifikácie

Všeobecné

Napájanie: DC IN 19V/1,56 A

Príkion (v zapnutom režime): xxx W v režime práce

Odber prúdu v pohotovostnom režime: < 0,5 W

Výstupný výkon RMS: 2 x 20 W

Celkové harmonické skreslenie: < 1% (1 kHz, 1 W)

Citlivosť audio vstupu: LINE IN 1: 550 mV, LINE IN 2: 750 mV

Frekvenčné pásmo: 45 Hz – 20 kHz; S/R: >= 80 dB

Podpora prehrávania hudby z USB: MP3/WAV/WMA (nemôžeme zaručiť, že zariadenie dokáže prehrať všetky súbory)

Maximálna kapacita USB pamäte: 32 GB

Rozmery zariadenia: 155 x 248 x 175 mm (šírka x výška x hĺbka)

Vstupy: 2 x líniový vstup RCA

Reproduktory (veľkosť/impedancia)

Výškový reproduktor: 1,25" / 4 Ω

Impedancia basového reproduktora: 4" / 4 Ω

Bluetooth

Verzia Bluetooth: V5.3

Pracovný dosah: cca 10 metrov

Frekvencia vysielania: 2,402 ~ 2,480 GHz

Protokoly: 2DP/AVCTP/AVDTP/AVRCP/GAVDP/HFP/HID/OPP/RFCOMM/SPP

A2DP/AVRCP

(Poznámky: vyššie uvedená špecifikácia výrobku sa môže zmeniť bez predchádzajúceho upozornenia).

Príslušenstvo v súpave:

Diaľkový ovládač x 1 ks

Batérie do diaľkového ovládača x 1 pár

Používateľská príručka x 1 ks

Záručný list x 1 ks

Audio kábel (3,5 mm stereo RCA) x 1 ks

Kábel na pripojenie reproduktorov: RCA k RCA s jednotlivým konektorom x 1 ks

AC/DC adaptér x 1 ks

FONTOS BIZTONSÁGI UTASÍTÁSOK


FIGYELEM!
ÁRAMÜTÉS VESZÉLYE
NE NYISSA KI!


Figyelem:

Az áramütés kockázatának csökkentése érdekében, ne távolítsa el a fedelet vagy hátra alkatrészeket. A készülékben nincs felhasználó által javítható alkatrészek. Forduljon képzett szakemberhez

A szimbólumok magyarázata:


Villám szimbólum elhelyezett egyenlő oldalú háromszögben figyelmezteti a felhasználót a szigetetlen "veszélyes feszültségre" a készülékben, amely elérheti a fenyegető áramütés méretét.ü



Felkiáltójel szimbólum elhelyezett egyenlő oldalú háromszögben figyelmezteti a felhasználót, hogy most az üzemeltetési és karbantartásról információk megjelennek a dokumentációban, a készülékhez hozzáadott.

Kérjük, figyelmesen olvassa el az alábbi biztonsági utasításokat, és ezeket a későbbiekben felmerülő kérdések esetére is tartsa meg. Vegye figyelembe a használati utasításban és a készülék hátoldalán található figyelmeztetéseket és utasításokat.

Fontos információk

- Tartsa meg a használati útmutatók későbbi kérdések esetében
- Kerülje a készülék vízzel vagy nedvességgel történő érintkezését
- Ne telepítse a készüléket az alábbi helyeken:
- Kerülje a berendezés közvetlen napfényvel vagy szokatlanul sok porral történő érintkezését.
- Ne helyezzen semmilyen más melegítő készülékek a berendezés mellett.
- A készülék helye ne legyen folyamatosan rezgő helyeken.
- A készülék helye ne legyen magas páratartalmú helyiségben.
- Ne helyezzen nyílt láng vagy gyertyák mellett.
- Berendezések csak kézikönyv szerint használható.
- A berendezés bekapcsolása előtt, győződjön meg róla, hogy az áramellátás megfelelően csatlakozik.
- USB memóriát közvetlenül bekapcsolható, 25 cm-es kábellel.

A hátoldalán és a készülék oldalán található légnyelések maradjanak szabadon. Soha ne próbálja meg a hibás készüléket megjavítani, minden esetben forduljon ügyfélszolgálatához. Ne nyissa fel a készüléket - ezt csak szakember teheti meg.

BIZTONSÁGI UTASÍTÁSOK

1. Olvassa el az utasításokat - figyelmesen olvassa el a biztonsági utasításokat.
2. Tartsa meg az útmutatót - későbbiekben felmerülő kérdések esetére tartsa meg a biztonsági utasításokat.
3. Vegye figyelembe a figyelmeztetéseket - Vegye figyelembe a használati figyelmeztetéseket és utasításokat.
4. Vegye figyelembe az utasításokat - Vegye figyelembe a használati figyelmeztetéseket és utasításokat.
5. Üzembevétel - Utasítások szerint ügyeljen.
6. Áramforrás - A készüléket csatlakoztassa csak a normál hálózati feszültséghez. Ha a felhasználó nem biztos abban, milyen típusú tápegysége van a házban, akkor forduljon a forgalmazóhoz vagy a helyi áramszolgáltatóhoz.
7. Földelés vagy teljesítmény polarizációja – a földelésre nincs szükség. Győződjön meg arról, hogy a csatlakozó teljesen be van helyezve a fali csatlakozóba vagy kiterjesztésbe. A berendezés egyes verziói egy polarizált csatlakozója van (az egyik pólus szélesebb). Ez a dugó lehet illeszteni a fali aljzatba csak egyféleképpen. Ez egy biztonsági funkció. Ha nem lehet bedugni a dugót a konnektorba, próbálja fordítani őt. Ha a dugó még mindig nem illeszkedik az aljzatba, forduljon villanyszerelőhöz, hogy cseréltesse ki. Ne távolítsa el a biztonságot a polarizált dugóról. Amikor használ hosszabbítót vagy a hálózati kábel ami nem mellékelte a készülékhez, megfelelő dugaszolhatóra és az adott országban biztonsági ellenőrzésre szüksége van.
8. Tápkábel biztosítása - Úgy helyezze el a hálózati kábelt, hogy abban senki ne botoljon meg. Fordítson különös figyelmet a dugaszolhatóra, a hálózati csatlakozóra és ezekre a helyekre ahol a kábelek vezetnek ki a készüléket.
9. Túlterhelés - ne terhelje túl a konnektorokat, hosszabbítót, és elektromos elosztók, mivel ez tüzet vagy áramütést okozhat.
10. Szellőzés - A készüléket szellőztetni kell. Ne tegye a készüléket puha felületre, pl. takaróra, szőnyegre vagy függönyök, falikárpit közelébe, mert a szellöző nyílások takarásba kerülhetnek, ezáltal a szükséges levegőcsere nem valósul meg.
11. Hőség - Ne helyezze a készüléket fűtőtestek vagy más hőt sugárzó források közelébe. Kerülje a berendezés közvetlen napfényvel. Nyílt láng, például gyertyák nem kerüljenek a készülékre.
12. Víz és nedvesség - Tűzveszély és egy esetleges áramütés elkerülése végett, a készüléket ne tegye ki esőnek vagy nedvességnek. A berendezést ne használja fürdőkádak, úszómedencék vagy fröcskölő vízforrás közelében.
13. Tárgyak és folyadékok a készülék - Idegen tárgyak nem tegyen be a készülékbe mert feszültség alatt lévő pontokat és alkatrészeket érinthetnek, ami tüzet vagy áramütést okozhat. Ne helyezzen folyadékkal telt tárolóedényeket a készülékre.
14. Tisztítás - A tisztítás előtt mindig húzza ki a készüléket a fali csatlakozóból. Port száraz ruhával távolítsa el. Ha a tisztításhoz aeroszolt használ, ne irányítsa közvetlenül a készülékre, de a ruhára. Ügyeljen arra, hogy ne sértse meg a meghajtó egységeket.
15. Kiegészítő berendezések - Ne használjon olyan tartozékokat, amelyek nem a gyártó által jóváhagyott, mivel azok veszélyt jelentenek.
16. Tartozékok - Ne helyezze a készüléket instabil kocsira, állványra, konzolra vagy asztalra. A készüléket megsérülheti és súlyos sérülést okozhat egy gyermek vagy egy felnőtt számára. Csak a gyártó által jóváhagyott vagy készülékkel eladó kocsit, állványt, konzolt vagy használható. A készüléket gyártói útmutató szerint felszerelhető.

17. A berendezés áthelyezése - a kocsin levő készüléket nagyon óvatosan mozdulni kell. Gyors fékezés, túlzott erőltetés és az egyenetlen felületek miatt felborulhat a készülék.
18. A berendezést nem használata - Ha a berendezést hosszabb ideig nem használja, áramtalanítsa azt.
19. Szerviz - Soha ne próbálja meg a hibás készüléket megjavítani, minden esetben forduljon ügyfélszolgálatához. Ne nyissa fel a készüléket - ezt csak szakember teheti meg. A karbantartási munkákat hagyja szakképzett személyezetre. Egyéb esetekben magát és másokat is veszélyeztet.
20. Ha a berendezést hosszabb ideig nem használja, áramtalanítsa azt. Ha a készülék csatlakoztatva van egy áramforráshoz, ez készenléti üzemmódban, és nem teljesen kizár.
21. Pótkatrészek - Alkatrészek cseréjekor ellenőrizze, hogy a szolgálati munkavállaló használt pótkatrészeket a gyártó által meghatározott, vagy ugyanilyenek, mint az eredeti rész. Nem engedélyezett részek esetében tűz, áramütés vagy egyéb veszély veszélyeztet.
22. Főbiztosítékok - Állandó készülék biztosításához megfelelő típusú és paraméterű biztosítókat használni kell. Biztosítékok paramétereit a készüléken vannak.
23. Ne növelje a hangerőt a kis hangerőjű dal vagy a bemenő audiojel hiányában mellett. Ellenkező esetben maradandó halláskárosodáshoz vezethet.
24. A villózással történő kicsatlakoztatáshoz a villás dugót teljesen nyomja ki a konnektorból. A aljzat vagy kábel bemeneti teljesítmény a készülék mindig elérhetőnek kell lenni a használat során a termék.
25. A készüléket a konnektor vagy hosszabbító közelében el kell helyezni, oly módon, hogy mindig rendelkezésre áll.
26. A készülék maximális környezeti hőmérséklete 35 °C.
27. Irányelvek az elektrosztatikus kislülésről - ha a készülék működése zavarban van az elektrosztatikus kislülés miatt, ki kell kapcsolni és újrapcsolni vagy más helyre mozdulni.
28. Elem
 - a. Ne helyezze a készüléket fűtőtestek vagy más hő sugárzó források közelébe. Kerülje a berendezés közvetlen napfényel.
 - b. Az akkumulátor kidobása alatt, fordítson figyelmet a környezetvédelemre.
 - c. Vigyázat elemek használatára vonatkozó: annak érdekében, hogy megakadályozza az elem szivárgását amely sérülést vagy kárt okozhat:
 - az elemek elhelyezése alatt, fordítson figyelmet a polaritásra (+ és -)
 - ne használjon különböző elemeket egyszerre - régi és új normál és alkalikus stb.
 - Vegye ki az elemeket a készülékből, ha nem használja hosszabb időre.

ERP2-ről megjegyzések (energiával kapcsolatos eszközök)

Ez a készülék okprojekttel megfelel a 2. szakasz biztonsági rendelet (EC) No 1275/2008 irányelvet átültető 2009/125/EK energiafogyasztásról a fogatékkal élő és működő készenléti üzemmódban elektronikus eszközökről irodában és házban. 15 perc a bevételi jel nélkül után, a készülék automatikusan készenléti üzemmódba átkapcsol.

Információk a normál működésbe helyezéséről az útmutatóban megtalálható.

Fontos információk

Ez a készülék fel van szerelve egy energiatakarékos üzemmóddal: 30 perc a bevételi jel nélkül után, a készülék automatikusan készenléti üzemmódba átkapcsol (ERP2 szabvány). Meg kell jegyezni, hogy az alacsony hangerő az lehet ismerni "nincs hangként": ez befolyásolhatja a jel elismerésére és automatikusan készenléti üzemmódba kapcsolására. Ebben az esetben vissza kell állítani az audiójel adása vagy növelni a hangerőt a hangforrásban (MP3-lejátszó, stb). Ha a probléma továbbra is fennáll, lépjen kapcsolatba a helyi márkaszervizzel.

FIGYELEM

A készüléket nem használhatják olyan személyek (beleértve a gyerekeket), akik testi, érzékszervi vagy szellemi fogyatékoságtól szenvednek és az elégtelen tudás és tapasztalatú is, ha a felelős személy nem felügyeli és nem kapta meg elég információt a készülékről. Felnőttek jelenlétre szüksége van ha a gyerekek használják a készüléket. Ez biztosítja a biztonságos használatát.

1. Soha ne hagyja a gépet felügyelet nélkül! Kapcsolja ki készüléket, ha nem használ, bár egy rövid ideig.
2. Ne használja a készüléket egy külső órajel időzítővel, vagy egy külön távvezérlő rendszerrel.
3. Kockázatának elkerülése érdekében a a tápkábel megsérülése esetében, a cserét gyártónak kell végezni, meghatalmazott szolgáltató, vagy más személy aki rendelkezik megfelelő képesítéssel.
4. Mielőtt használatba venné a készüléket, ellenőrizze, hogy a hálózati feszültség megegyezik a feszültséggel előforduló helyi hálózatban.
5. Ne tegye a készüléket puha felületre, pl. takaróra, szőnyegre vagy függönyök, falikárpit közelébe, mert a szellőző nyílások takarásba kerülhetnek, ezáltal a szükséges levegőcseré nem valósul meg. Győződjön meg arról, hogy a készüléktől legalább 20 cm szabad hely, és a két oldalán - legalább 5 cm-t.
6. Amennyiben a készülékbe idegen anyag, test vagy folyadék kerül, ne helyezzen folyadékkal telt tárolóedényeket, pl. vírágvázat a készülékre.
7. Tűzveszély és egy esetleges áramütés elkerülése végett, a készüléket ne tegye ki esőnek vagy nedvességnek.
8. A berendezést ne használja fürdőakádak, úszómedencék vagy fröcskölő vízfórás közelében. Tartsa meg stabil helyeken.
9. Ne tegye ki erős mágneses mezőre.
10. Ne helyezze a készüléket közvetlenül az erősítőn vagy vevőn.
11. Ne helyezze a készüléket párás helyen, mert a nedvességnek hátrányos hatása van az elektromos alkatrészekre.
12. A készülék hozása a hideg helyről meleg vagy nedves helyre páralecsapódás a lencsén a lejátszó belsejében történhet. Ebben az esetben a készülék nem helyesen működhet. Hagyja a gépet bekapcsolva körülbelül egy óráig, hogy lehetővé tegye a nedvesség párolgást.
13. Ne tisztítsa a készüléket kémiai oldószerekkel, a készülék lakk megsemmisítése miatt. Az eszköz tiszta, száraz vagy enyhén nedves ruhával tisztítható.

14. A konnektorból történő kihúzás esetén ne a kábelt, hanem a villásdugót húzza ki.
15. A készülék működik a bekapcsolt tévé mellett, ez a zaj a képernyőn forrásra lehet. A TV adás hullámaintól függő. Azt nem jelenti hibás se tévé se rádió működését. Ebben az esetben távolítsa a készüléket a tévétől.
16. A hálózati csatlakozó a hálózathoz kihúzásához használható. Fontos, hogy mindig elérhető.
17. Hogy megakadályozzák az esetleges halláskárosodást, ne hallgass hangosan zenét egy hosszú ideig.

**FIGYELEM**

Megfelelőség

A Blaupunkt Competence Center 2N-Everpol Sp. z o.o. kijelenti, hogy ez a készülék megfelel a 2014/53/EU irányelv alapvető követelményeink és más vonatkozó rendelkezéseinek. A megfelelőségi nyilatkozat a termék honlapjáról szerezhető be: www.blaupunkt.com.

Felölös fél: 2N-Everpol Sp. z o.o., Puławska 403A, 02-801 Varsó, Lengyelország, telefon: +48 22 688 08 00, e-mail: info@everpol.pl



A termék kiváló minőségű anyagokból és alkatrészekből áll, újrahasznosíthatók és újra felhasználhatók.



Ha a készüléken áthúzott kerek kuka szimbólum látható, az azt jelenti, hogy a termékre a 2012/19/EU európai irányelv rendelkezései vonatkoznak. Ennek alapján kérjük, kövesse a helyi előírásokat, ismerkedjen meg a helyi elektromos és elektronikus hulladékgyűjtő rendszer követelményeivel, és e termék esetében tartsa be azokat.

EZT A TERMÉKET NE SZENVEDJE A HÁZTARTÁSI HULLADÉKOKHOZ!

EZ A TERMÉK VESZÉLYES ANYAGOT, KEVERÉKET ÉS ÖSSZETEVŐKET TARTALMAZ, AMELY ENGEDÉLYMENTESSÉGÉN A TERMÉSZETES KÖRNYEZETRE ÉS AZ EMBERI EGÉSZSÉGRE VONATKOZÓ POTENCIÁLIS HATÁSOK FORRÁSA LEHET!

A használt termék megfelelő ártalmatlanítása megakadályozza a környezetre és az emberi egészségre gyakorolt negatív hatásokat.



A készülék fel van szerelve akkumulátorral ami megfelel a 2006/66/EC európai irányelv követelményeinek. Ne dobja az elemet a normál háztartási szeméttel. Kérjük, olvassa el a követelmények a helyi rendszerről a hulladék elektromossal és elektronikus berendezésekkel kapcsolatos. Helyi követelmények szerint csinálni kell. Ne dobja a terméket a normál háztartási szeméttel.

Információk a környezetvédelemről

A csomag csak a szükséges elemeket tartalmaz. Minden erőfeszítést tettek, hogy a csomagolóanyag három összetevője könnyen elkülönített legyen: karton (doboz), polisztirol (belső biztonság) és polietilén (zacskó, védő lap). A készülék olyan anyagból készült, melyek újrahasznosíthatók és szétszerelhetőek. Kérjük, olvassa el a követelmények a helyi rendszerről a hulladék elektromossal és elektronikus berendezésekkel kapcsolatos.

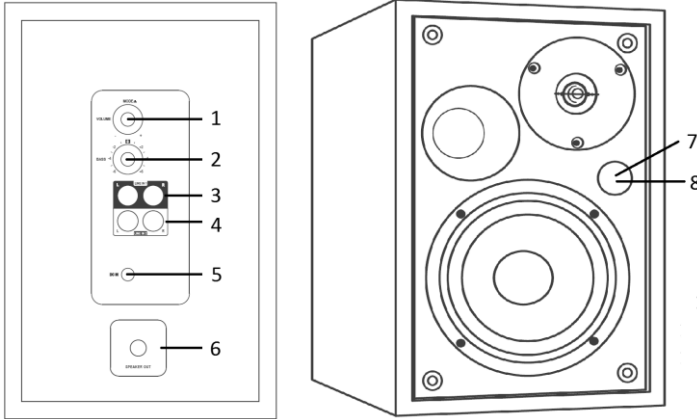
Felvételhez és lejártszáshoz engedélyre van szükség. Lásd a szerzői jogi törvényt, valamint az előadók / művészek jogairól.



A Bluetooth[®] szó márkajelzés és logó a Bluetooth SIG, Inc. bejegyzett védjegyei, és ezen márkajelzéseket engedéllyel használjuk. Más védjegyek és márkanevek a vonatkozó tulajdonoshoz tartoznak.

Köszönjük, hogy modellünket választotta, kérjük, a készülék bekapcsolása előtt figyelmesen olvassa el és ismerje meg ezt az útmutatót. A használati útmutatót későbbi igénybevétel céljából őrizze meg.

A kezelő elemek elhelyezése



1. Forgógomb bekapcsoláshoz / hangerőszabályozáshoz / lejátszási mód kiválasztásához: a gomb rövid megnyomásával kapcsolod be a készüléket, miután először csatlakoztattad a tápegységhez; nyomd meg és tartsd lenyomva 3 másodpercig, hogy a készülék készenléti üzemmódba kapcsoljon; a lejátszási mód megválogtatásához nyomd meg többször röviden; forgasd el a gombot a főhangerő beállításához.

2. Basszuszabályozó gomb: forgasd el a gombot basszuszint növeléséhez vagy csökkentéséhez.

3. RCA vonalbemeneti 1. aljzat

4. RCA vonalbemeneti 2. aljzat

5. Egyenáramú táp aljzat.

6. Hangszóró kimeneti csatlakozó: sztereó üzemmódban csatlakoztathatod egy szatellit hangszóróhoz.

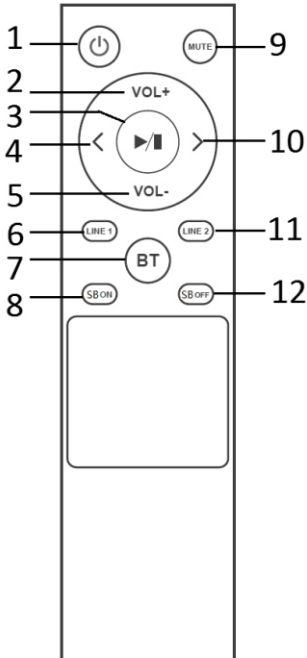
7-8: Infravörös érzékelő a távirányítóhoz és ablak LED-es jelzőfényel:

Piros szín: készenléti üzemmódban.

Kék szín: Bluetooth üzemmódban.

Világoskék szín: 1. vonalbemeneti üzemmódban

Sárga szín: 2. vonalbemeneti üzemmódban



Távirányító

1. Kapcsoló gomb: nyomd meg a készülék be- / kikapcsolásához készenléti módban.

2,5- Hangerő +/- gomb: nyomd meg a kimeneti hangerő beállításához.

3- Lejátszás/szünet: nyomd meg Bluetooth módban a hang lejátszásához vagy szüneteltetéséhez.

4,10- Előző/Következő Gomb: nyomd meg az előző/következő zeneszám átkapcsolásához Bluetooth üzemmódban.

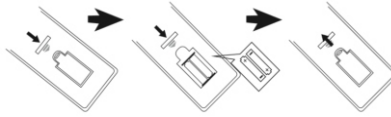
6,7,11- Kiválasztási gomb: 1. vonalbemenet / Bluetooth / 2. vonalbemenet: megnyomásával közvetlenül a megfelelő lejátszási módba léphetsz.

8,12- Szuper basszus be/ki kapcsológomb: nyomd meg a szuper basszus funkció engedélyezéséhez vagy kikapcsolásához.

9- Mute gomb: nyomd meg a hangszóró elnémításához; nyomd meg újra a lejátszás folytatásához.

Az elemek behelyezése a távirányítóba

Nyissa ki az elemtartót, és helyezzen be 2 db AAA elemet (a készlet tartalmazza); győződjön meg arról, hogy az elem polaritása megfelel a rekeszben feltüntetett pozitív és negatív szimbólumnak. Ezt követően zárja be az elemtartó fedelét.

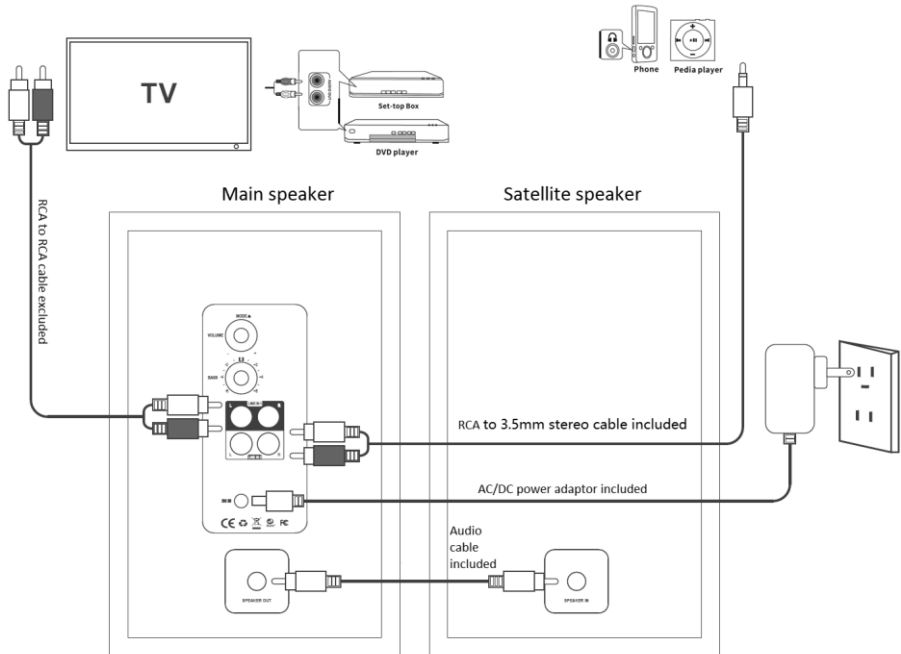


Megjegyzések:

- A távirányító 5 méteres távolságból működik a legjobban, feltéve, hogy nincs semmilyen akadály a távirányító és a hangprojektor között. A távirányítót használat közben a hangprojektor elején található érzékelő felé kell irányítani.
- A távirányító érzékenysége az elem lemerülésekor csökken. Ekkor cserélje ki az elemeket újakra.
- Ha a távirányító hosszabb ideig használaton kívül marad, vegye ki belőle az elemeket.
- Az elemeket környezetbarát módon hasznosítsa újra. Kérjük, olvassa el a helyi hatóság követelményeit a részletekért.

A fő- és a satelit hangszóró csatlakoztatása: A hangszóró bekapcsolása előtt először csatlakoztassd őket a mellékelt RCA-RCA (egycsatlakozós) audiokábel segítségével, Csatlakoztassd a kábel egyik dugóját a fő hangszóró aljzatához, a másik dugót pedig a satelit hangszóró aljzatához.

Áramforráshoz való csatlakoztatás: Csatlakoztassd a mellékelt AC/DC tápegységet az otthoni AC aljzathoz, hogy áramforráshoz juss, majd csatlakoztassd az egyenáramú tápegységet a hangszóró hátsó paneljén található DC csatlakozóhoz. A hangszóró ekkor készenléti üzemmódba lép, és használatra készen áll. A fő hangszóró hátlapján vagy a távirányítón található kapcsoló gombot rövid megnyomásával bekapcsolhatod a hangszórókat. A hátlapon készenléti üzemmódjának kikapcsolásához hosszú (3 másodperces) megnyomásával vagy a távirányítókapcsoló gombotjának rövid megnyomásával a hangszórók készenléti üzemmódba átkapcsolhatók.



Ez a modell olyan külső eszközökhöz csatlakoztatható, mint például TV, TV dekóder, DVD-lejátszó, Blu-ray DVD-lejátszó, MP3-lejátszó stb.

A hangszóró 2 RCA analóg bemenettel (vonalbemenet) rendelkezik különböző forrásokhoz. A fenti ábrán láthatod, hogyan csatlakoztathatsz külső eszközöket ehhez a modellhez. A készlet egy RCA-minijack 3,5 mm-es stereo kábelt tartalmaz.

Bluetooth kezelése

Ez a termék Bluetooth funkcióval rendelkezik, amely lehetővé teszi a zene vezeték nélküli lejátszását más Bluetooth-eszközökről (pl. okostelefonok, táblagépek, TV-k stb.).

1. Kapcsold be a készüléket, majd nyomd meg a hátlapon lévő üzemmódválasztót vagy a távirányító Bluetooth gombját a Bluetooth üzemmódba való belépéshez. A kék LED villogni fog a LED ablakban, jelezve, hogy a készülék készen áll a párosításra.
2. Kapcsold be a Bluetooth funkciót a külső eszközön (pl. okostelefonon), és keres elérhető eszközöket a párosításhoz (ellenőrizd a külső eszköz felhasználói kézikönyvében), majd ellenőrizd a listában elérhető Bluetooth eszközöket. Válassz ki a "BP BS40" párosítást, és a sikeres párosítás után a kék LED stabilan világítani fog.
3. Válassz ki és játszd le a zenét a Bluetooth-eszközről, állítsd be a megfelelő hangerőt, és a hang elkezd szólni ezen a modellen keresztül.
4. Bluetooth módban a következő műveleteket hajthatod végre: előző / következő szám kiválasztása, lejátszás / szüneteltetés, némítás stb., a távirányító megfelelő gombjának megnyomásával.

Megjegyzések:

- a. Különböző kialakítások és márkák miatt nem garantált, hogy minden Bluetooth-eszköz megfelelően párosodik.
- b. A Bluetooth maximális működési távolsága 10 méter, amennyiben nincs akadály a készülékek között.
- c. A készülék egyszerre csak egy Bluetooth-eszközt tud párosítani és működni.
- d. Ha bejövő hívás érkezik a Bluetooth lejátszás közben; a zene ideiglenesen szünetel, és folytatódik, amikor a telefonhívás befejeződik.

TV Bluetooth-on keresztüli csatlakoztatása: Ha a tévé rendelkezik Bluetooth funkcióval, ez a modell vezeték nélküli lejátszhatja a TV hangját. Aktiváld a Bluetooth funkciót a TV beállításaiában, és keres egy "BP BS40" nevű eszközt a csatlakozáshoz. A részletekért olvasd el a televízió használati útmutatóját.

Problémák elhárítása

1. A hangszóró nem kapcsol be.
 - a. Ellenőrizze, hogy az áramellátás megfelelő-e.
2. Nincs hang.
 - a. Próbálja meg beállítani a hangerőt, ellenőrizze a némítás gombot és a hangforrást.
 - b. Ha a probléma továbbra is fennáll, forduljon szervizhez.
3. Torzított hang.
 - a. Próbálja meg kisebb hangerővel lejátszani a zenét.
 - b. Ellenőrizze a szoprán/mélyhangok beállítását.
 - c. Csökkentse a hangerőt a külső eszközön, például a TV-n stb.
4. Szaggat a hang Bluetooth módban.
 - a. Próbálja közelebb helyezni a Bluetooth eszközt a hangprojektorhoz.

Műszaki adatok

Általános

Tápellátás: DC IN 19V/1,65 A
 Energiafogyasztás (bekapcsolt üzemmódban): xxx bekapcsolt üzemmódban
 Áramfelvétel készenléti állapotban: <0,5 W
 RMS kimeneti teljesítmény: 2 x 20 W
 Teljes harmonikus torzítás: <1% (1 kHz, 1 W)
 Hangbemenet érzékenysége: LINE IN 1: 550MV, LINE IN 2: 750 MV
 Sávszélesség: 45 Hz – 20 KHz; S/R: >= 80 dB
 USB zene kezelés: MP3 / WAV / WMA (nem minden fájl lejátszása garantált)
 Maximális USB memória kapacitás: 32GB
 Az eszköz méretei: 155 x 248 x 175 mm (szél. x mag. x mély.)
 Bemenetek: 2 x RCA vonalbemenet

Hangszórók (méret / impedancia)

Magassugárzó: 1,25" / 4Ω
 A mélysugárzó impedanciája: 4"/4 Ω

Bluetooth

Bluetooth verzió: V5.3
 Hatótávolság: kb. 10 méter
 Átviteli frekvencia: 2,402--2,480 GHz
 Protokollok: 2DP / AVCTP / AVDTP / AVRCP / GAVDP / HFP / HID / OPP / RFCOMM / SP2P / AVRCP
 (Figyelem: a készülék műszaki adatai előzetes értesítés nélkül módosulhatnak).

A készletben található tartozékok

Távirányító x 1 db.
 Távirányító elem x 1 pár
 Használati útmutató x 1 db.
 Garanciaalap x 1 db.
 Hangkábel (3,5 mm RCA sztereó) x 1 db
 Kábel a hangszórók csatlakoztatásához: RCA-RCA egy csatlakozóval x 1 db
 AC/DC adapter x 1 db

Műszaki adatok**Általános**

Tápellátás: DC IN 24 V/1,5 A
Energiafogyasztás (bekapcsolt üzemmódban): xxx bekapcsolt üzemmódban
Áramfelvétel készletléti állapotban: <0,5 W
RMS kimeneti teljesítmény: 2 x 25 W
Teljes harmonikus torzítás: <1% (1 kHz, 1 W)
Hangbemenet érzékenysége: 550 mV
Sávszélesség: 45 Hz – 20 KHz; S/R: >/= 85 dB
USB zene kezelés: MP3 / WAV / WMA (nem minden fájl lejátszása garantált)
Maximális USB memória kapacitás: 32GB
Az eszköz méretei: 150 x 223 x 168 mm (szél. x mag. x mély.)
Bemenetek: 1 x optikai, 1 x RCA vonalbemenet, 1 x HDMI ARC (1.4 verzió), 1 x USB

Hangszórók (méret / impedancia)

Magassugárzó: 1,25" / 4Ω
A mélysugárzó impedanciája: 4"/4 Ω

Bluetooth

Bluetooth verzió: V5.3
Hatótávolság: kb. 10 méter
Átviteli frekvencia: 2,402~2,480 GHz
Protokollok: 2DP / AVCTP / AVDTP / AVRCP / GAVDP / HFP / HID / OPP / RFCOMM / SPP
A2DP/AVRCP
(Figyelem: a készülék műszaki adatai előzetes értesítés nélkül módosulhatnak).

A készletben található tartozékok

Távírányító x 1 db.
Távírányító elem x 1 pár
Használati útmutató x 1 db.
Garanciaalap x 1 db.
Hangkábel (3,5 mm RCA sztereó) x 1 db
5-tűs hangszóró csatlakozókábel x 1 db
AC/DC adapter x 1 db

VAŽNE SIGURNOSNE UPUTE

OPREZ



UGROŽENJE OD ELEKTRIČNOG
UDARA NEMOJTE OTVARATI

Oprez:

Kako bi se smanjila opasnost od električnog udara, nemojte skidati poklopac niti stražnj dio uređaja. Unutar uređaja ne postoje komponente za popravak od strane korisnika. Održavanje i popravak opreme izvršava isključivo kvalificirano servisno osoblje.

Objašnjenje grafičkih simbola:

Simbol munje sa sa strelicom koji se nalazi u jednakostraničnom trokutu upozorava na prisutnost neizoliranog, opasnog napona" unutar kućišta uređaja koja može postići veličinu uzrokujuću strujni udar.



Uskličnik unutar jednakostraničnog trokuta upozorava korisnika da ovdje su prezentirane važne poruke za rad i održavanjeopreme u dokumentaciji priloženoj uređaju.

Pročitajte ovaj priručnik prije uporabe uređaja da se upoznate sa značajkama i kako koristiti uređaj sukladno namjeni. Ovo će osigurati dugotrajan, besprijekoran rad uređaja i zadovoljstvo uz korištenje.

Važne informacije

- Sačuvajte operativne upute i sigurnosne informacije kako bi se ih moglo koristiti u budućnosti.
- Nemojte dopustiti da na uređaj kapa ili proliva se bilo koja tekućina.
- Ne smijete se također koristiti na vlažnim mjestima, kao što su npr. kupaoonica.
- Ne postavljajte uređaj na sljedećim mjestima:
- Izložen suncu ili blizu grijalica.
- Na vrh druge stereo opreme koja generira toplinu.
- Tako da blokira ventilaciju ili u prašnjavom mjestu.
- U okružju izloženom neprekidnim vibracijama.
- U područjima visoke vlage.
- Ne postavljajte uređaj blizu otvorenog plamena ili otvorene vatre.
- Uređaj se može koristiti samo na način opisan u ovim uputama.
- Prije prvog uključivanja napajanja, pobrinete se da je napajanje ispravno pripojeno.
- USB memoriju se pripaja neposredno ili preko produžnog USB kabela s dužinom do 25 cm.

Iz sigurnosnih razloga, nemojte skidati poklopce ili pristupiti unutrašnjosti uređaja. Uređaj smije popravljati samo kvalificirano servisno osoblje.

Nemojte rastavljati uređaj ili otvarati njegovo kućište, jer unutra nema dijelova koje bi se moglo popraviti od strane korisnika. ržavanje i popravak opreme izvrši isključivo kvalificirano servisno osoblje.

Sigurnosne upute

1. Pročitajte upute - prije uporabe stroja, pročitajte sve upute i informacije o sigurnosti.
2. Sačuvajte ove upute - zadržite upute za upotrebu i održavanje kako bi se ih moglo koristiti u budućnosti.
3. Poštujte upozorenja - slijedite sva upozorenja objavljena na uređaju te koje se nalaze u uputama.
4. Slijedite upute - slijedite upute i preporuke za korisnike.
5. Montaža - montirajte uređaj prema uputama proizvođača.
6. Izvori energije - uređaj treba napajati samo iz izvora koji je naveden na naljepnicama na kabelu napajanja. Ako niste igurni koju vrstu napajanja ima vaša kuća, obratite se prodavatelju ili lokalnoj energetskoj tvrtki.
7. Uzemljenje ili polarizacija napajanja - uređaj ne mora biti uzemljen. Provjerite je li utikač potpuno umetnut u utičnicu ili u produžni kabel, kako bi se spriječilo otkriće igle ili kontakata. Neke verzije stroja mogu biti opremljene polariziranim utikačem izmjenične struje (jedna lopatica je šira). Ovaj utikač se može umetnuti u utičnicu samo na jedan način. Ovo je sigurnosna značajka. Ako ne možete staviti utikač u utičnicu, pokušajte ga okrenuti. Ako utikač i dalje ne odgovara utičnici, pozovite električara da to promijeni. Ne skidajte zaštitu polariziranog utikača. Kada koristite produžni kabel ili kabel za napajanje osim isporučenog s uređajem morate imati odgovarajuće čepove i potvrdu o sigurnosti potrebnu za određenu zemlju upotrebe.
8. Osiguranje kabela za napajanje - energetski kabeli moraju biti preusmjereni na takav način kako ne bi se moglo kroz njih hoditi, pritiskivati ili obrezivati bilo kojim postavljanim objektima. Obratite posebnu pozornost na utikače, utičnice i mreže, gdje kabeli izlaze iz uređaja.
9. Preopterećenja - nemojte preoptereti zidne utičnice, produžne kabele i električne distributere, jer ovo baš može dovesti do požara ili strujnog udara.
10. Ventilacija - uređaj mora biti pravilno provjetran. Ne postavljajte uređaj na krevet, kauč ili drugu sličnu površinu. Nemojte prekrivati stroj stolnjakom, salvetom, novinama i sl.
11. Vrućina - nemojte postavljati uređaj u blizini izvora topline kao što su grijači, radijatori, peći i ostali uređaji (pojačala) koji stvaraju toplinu. Ne stavljajte na uređaj upaljenih svijeća i drugog otvorenog plamena.
12. Voda i vlaga - kako bi se smanjio rizik od požara ili električnog udara, nemojte izlagati uređaj kiši, vlazi i vodi, na primjer u sauni ili u kupaonici. Ne koristite ovaj proizvod u blizini vode, primjerice blizu kade, umivaonika, sudopera ili kade za pranje rublja, u vlažnom podrumu ili blizu bazena (ili u drugim sličnim mjestima).

14. Čišćenje - uvijek prije čišćenja isključite uređaj iz zidne utičnice. Prašinu oko zvučnika se može ukloniti suhom krpom. Ako za čišćenje će se koristiti sredstvo u obliku aerosola, sprej ne bi se smjelo da bude usmjeren izravno na stroj, ali tkaninu. Budite oprezni da ne oštetiti pogonske jedinice.
15. Dodatna oprema - nemojte koristiti pribore koji nisu odobreni od strane proizvođača, jer mogu predstavljati prijetnju za rad uređaja i za samog korisnika.
16. Pribori - nemojte postavljati uređaj na nestabilne kolice, stalku, tronožcu, nosaču ili stolu. Uređaj se može kotrljati i oštetiti se ili uzrokovati ozbiljne ozljede djeci ili odraslim osobama. Koristite samo kolice, stalke, tronožce, nosače ili stolove kojih preporučuje proizvođač ili se ih prodaje zajedno s uređajem. Montažu uređaja se mora provesti u skladu s uputama proizvođača, koristite pribore za ugradnju oobrene od strane proizvođača.
17. Premještanje stroj - uređaj postavljen na kolicama mora se premješati vrlo pažljivo. Naglo zaustavljanje, previša sila i neravne površine mogu uzrokovati da kolica s uređajem prevrne.
18. Vrijeme bez korištenja uređaja – kabel napajanja mora biti isključen iz zidne utičnice tijekom grmljavinskog nevremena ili ako se ga ne koristi duže vrijeme.
19. Servisiranje - ne pokušavajte pogledati unutrašnjost uređaja sami. Otvaranje poklopca može uzrokovati opasne napone i izložiti vas drugim opasnostima. Održavanje i popravak opreme vrši isključivo kvalificirano servisno osoblje.
20. Kada stroj nije u uporabi, izvucite mrežni utikač iz zidne utičnice. Kad je uređaj pripojen na izvor napajanja, uređaj je u stanju čekanja i nije u potpunosti isključen.
21. Rezervni dijelovi – tijekom zamjene dijelova, treba provjeriti dla li serviser je koristio rezervne dijelove koje preporučuje proizvođač ili dijelove koje su identične originalnim dijelom. Izrada zamjene neodobrenih rezervnih dijelova ugrožava od požara, strujnog udara ili drugih opasnosti.
22. Glavni osigurači - da bi se konstantno osiguralo uređaj od požara, koristite osigurače samo odgovarajuće vrste i određenih parametara. Parametri osigurača u rasponu napona su označeni na uređaju.
23. Ne smije se da se poveća glasnoća dijela kad se sluša dio s niskom glasnoćom ili u slučaju odsutnosti ulaznog audio signala. Inače, s naglim porastom snage signala možete oštetiti zvučnik.
24. Jedini način da isključite uređaj iz izvora napajanja je takav da odspojite mrežni kabel iz zidne utičnice ili uređaja. Električna utičnica ili kabel ulazne snaga na uređaju mora biti uvijek na raspolaganju kada koristite proizvod.
25. Uređaj bi trebao biti instaliran u blizini utičnice napajanja ili produžnog kabela na takav način su oni uvijek na raspolaganju.
26. Maksimalna temperatura okoline uređaja je 35°C
27. Savjeti za elektrostatička pražnjenja - ako se rad prekine zbog elektrostatičkog pražnjenja, isključite uređaj ponovno ili premjestiti ga na drugo mjesto.
28. Baterija
 - a. Baterije se ne smije izlagati pretjeranoj toplini, npr. suncu, vatri i sličnim uvjetima.
 - b. Kod zbrinjavanja baterije, obratite pažnju na aspekte okoliša.
 - c. Ponašajte se oprezno tijekom korištenjem baterija: kako bi se spriječio curenje baterije, koje može uzrokovati ozljede ili oštećenja na uređaju:
 - , Pri umetanju baterija obratite pažnju na polaritet (+ i -).
 - , Nemojte koristiti različite baterije u isto vrijeme - stare i nove, alkalne baterije, standardne itd.
 - , Izvadite baterije iz uređaja kad se ga neće koristiti duže vrijeme.

UPOZORENJE

Uređaj ne smije biti korišten od strane osoba (uključujući djecu) sa smanjenim fizičkim, osjetilnim ili mentalnim sposobnostima te osoba s nedovoljnim znanjem i iskustvom, ako nisu one pod nadzorom osobe odgovorne za njihovu sigurnost i nisu obučeni o tome kako sigurno koristiti uređaj. Prisutnost odraslih je potrebna ako uređaj koriste djeca; ovo će osigurati sigurnu uporabu uređaja.

1. Nikada ne ostavljajte stroj da radi bez nadzora! Isključite uređaj kada nije u uporabi, čak i za kratko vrijeme.
2. Uređaj se ne može upravljati putem vanjskog sata s timerom, ili posebnim sustavom daljinskog upravljanja.
3. Da bi se izbjegla opasnost u slučaju štete za zamjenu kabela napajanja treba se obratiti proizvođaču, ovlaštenom servisu ili drugim stručnim osobama.
4. Prije uporabe uređaja, provjerite je li napon odgovara naponu koji je nastao u mrežnom naponu.
5. Nemojte prekrivati ventilacijske otvore uređaja, npr. papirom, tkaninama, zavjesama, itd. Uvjerite se da uređaj ima najmanje 20 cm slobodnog prostora, a na svakoj strani - najmanje 5 cm.
6. Nemojte dopustiti da na uređaj kapaju ili prolivaju tekućine, te nemojte stavljati posude s tekućinom, poput vaza.
7. Kako biste spriječili požar ili strujni udar, uređaj mora biti zaštićen od žarišta, kiše, vlage i prašine.
8. Ne postavljajte uređaj blizu izvora vode, npr. slavine, kade, bazena ili perlice rublja. Staviti uređaj na ravnu i stabilnu površinu.
9. Nemojte da uređaj izlažite jakim magnetskim poljima.
10. Nemojte da uređaj stavljajte izravno na pojačalu ili prijammiku.
11. Ne postavljajte uređaj na vlažnom mjestu, jer vlaga ima štetan učinak na električne komponente.
12. Dovodjenje uređaja iz hladnog u toplo vlažnom mjestu može uzrokovati kondenzaciju na leći unutar playera. U ovom slučaju, uređaj neće raditi ispravno. Uređaj se mora ostaviti uključen oko jedan sat kako bi se omogućilo isparavanje vlage.
13. Izbjegavajte korištenje kemijskih otapala, jer mogu oštetiti boju kućišta. Uređaj se obriše čistom, suhom ili vlažnom krpom.
14. Prilikom uklanjanja utikača iz zidne utičnice, uvijek povucite utikač, a ne kabel.
15. Kada uređaj se koristi u blizini uključenog televizora, ovo može biti izvor buke ili slike u obliku linije na zaslonu uređaja. Ovo ovisi o propusnosti emitiranja valova. To ne označava kvar uređaja ili televizora, ako vidite takve linije, pomaknite uređaj dalje od TV prijammika.
16. Mrežni utikač se upotrebljava za isključivanje napajanja zato mora biti uvijek na raspolaganju.
17. Da biste spriječili mogući gubitak sluha, ne slušajte glasno glazbu kroz duže vrijeme.



NAPOMENA

Izjava

Niže navedenim Blaupunkt Competence Center 2N-Everpol Sp. z o.o. izjavljuje da je ovaj proizvod u skladu sa zahtjevima i drugim relevantnim odredbama Direktive 2014/53/EU. Za potpunu Izjavu o sukladnosti posjetite stranicu www.blaupunkt.com na kartici proizvoda.

Odgovorni subjekt: 2N-Everpol Sp. Z o.o.

Puławska 403A, 02-801 Varšava, Poljska

Telefon: +48 22 688 08 00, e-mail: info@everpol.pl

Proizvod je izrađen od visokokvalitetnih materijala i dijelova koji se mogu reciklirati i ponovo upotrijebiti.



Ako se na vašem uređaju nalazi simbol prekrížene kante za smeće, to znači da je proizvod pokriven odredbama Europske direktive 2012/19/EU. Na temelju toga, slijedite lokalne propise i upoznajte se sa zahtjevima za vaš lokalni sustav prikupljanja električnog i elektroničkog otpada i, u slučaju ovog proizvoda, pridržavajte ih se.

NE ODLAGAJTE OVAJ PROIZVOD SA KUĆNIM OTPADOM!

OVAJ PROIZVOD SADRŽI OPASNE TVARI, SMJESE I KOMPONENTE KOJE, AKO SU NEDOVLAŠTENE, MOGU BITI IZVOR POTENCIJALNIH EFEKATA NA PRIRODNI OKOLIŠ I ZDRAVLJE LJUDI!

Ispravno zbrinjavanje iskorištenog proizvoda spriječit će negativne učinke na okoliš i ljudsko zdravlje.



Uređaj je opremljen sa baterijama obuhvaćenim Europskom direktivom 2006/66/EC. Baterije se ne smije odlagati zajedno s komunalnim otpadom. Molimo pogledajte lokalne propise o zasebnom prikupljanju baterija jer ispravnim odlaganjem spriječit ćete potencijalne negativne posljedice na okoliš i zdravlje ljudi.

Informacije o zaštiti okoliša

Paket uključuje samo nužne komponente. Svaki napor je napravljen da bit tri sastavni komponenti paketa lako odvojili: karton (kutija), polistirenska pjena (zaštita unutra) i polietilen (vrećica, zaštitna folija). Uređaj je izrađen od materijala koje se može reciklirati i ponovo upotrijebiti nakon demontaže od strane specijalizirane tvrtke. Poštujte lokalne propise o raspolaganju iskorištenih ambalažnih materijala, baterija i nepotrebne opreme.

Snimanje i reprodukcija materijala može zahtijevati pristanak. Vidi Zakon o autorskim pravima i prava izvođača/umjetnika.

Napomena o ERP2 (oprema koja se odnosi na energiju)

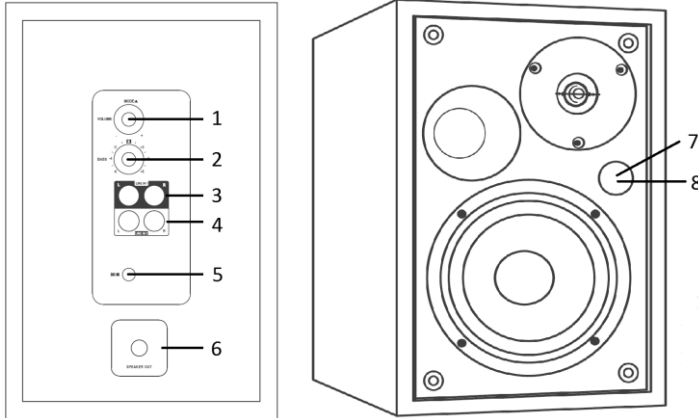
Ovaj ekodizajnirani uređaj zadovoljava zahtjeve 2. faze Uredbe Komisije (EZ) br. 1275/2008 kojom se provodi Direktivu 2009/125/EZ o potrošnji energije od strane isključenih i elektroničkih uređaja ili uređaja u modu čekanja za uredsku i kućnu uporabu.



Vlasnik zaštitnog znaka i logotipa Bluetooth® je tvrtka Bluetooth SIG, Inc. USA. Upotreba tih znakova i logotipa podliježe licenciji. Ostali zaštitni znakovi i trgovački nazivi su u vlasništvu određenih vlasnika.

Zahvaljujemo na kupnji našeg modela, pažljivo pročitajte i razumite ovaj priručnik prije pokretanja uređaja. Molimo vas da ovaj priručnik sačuvate za buduću upotrebu.

Raspored kontrolnih elemenata



1. Tipka za uključivanje/kontrolu glasnoće/odabir načina reprodukcije: kratko nju pritisnete da biste uključili uređaj kada je prethodno spojen na napajanje; pritisnite i zadržite 3 sekunde da biste uređaj stavili u pripravno stanje; pritisnite ga kratko nekoliko puta da biste promijenili način reprodukcije; okrenite tipku za podešavanje glavne glasnoće.

2. Regulator za podešavanje niskih tonova: okrenite ga kako biste povećali ili smanjili razinu niskih tonova.

3. RCA linijska ulazna utičnica 1

4. RCA linijska ulazna utičnica 2

5. Utičnica za istosmjernu struju.

6. Izlazni priključak zvučnika: spojite ga na satelitski zvučnik za stereo stereo način rada.

7-8: Infracrveni senzor za daljinski upravljač i prozor led indikatora:

Crvena: u stanju pripravnosti.

Plava: u Bluetooth načinu rada.

Svjetloplava: u načinu rada linijskog unosa 1.

Žuta: u načinu rada linijskog unosa 2.

Daljinski upravljač

1. Tipka za uključivanje/isključivanje: pritisnite za uključivanje/isključivanje uređaja u stanju pripravnosti.

2,5- Tipka jačina zvuka +/-: pritisnite za podešavanje izlazne glasnoće.

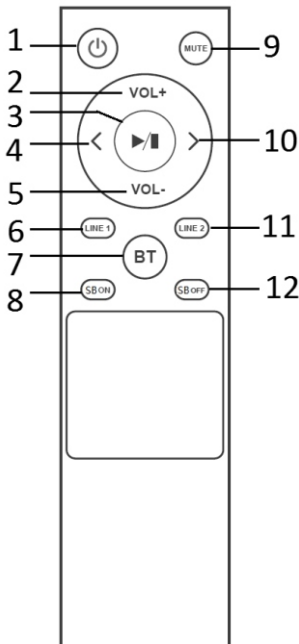
3- Reprodukcija/pauza: Pritisnite za reprodukciju ili pauzu zvuka u Bluetooth načinu rada.

4,10- Tipka Prethodno/Sljedeće: pritisnite za prebacivanje prethodnog/sljedećeg zapisa u Bluetooth načinu rada.

6,7,11- Tipka izbornika: ulazne linije 1/Bluetooth/Ulaza 2: pritisnite za izravan ulazak u odgovarajući način reprodukcije.

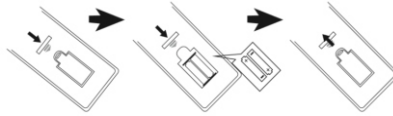
8,12- Tipka za uključenje/isključenje Super bass: Pritisnite za omogućavanje ili onemogućavanje funkcije Super Bass.

9- Tipka za isključenje zvuka: pritisnite za isključenje zvuka; pritisnite ponovno za nastavak reprodukcije.



Instaliranje baterija na daljinskom upravljaču

Otvorite odjeljak za baterije i umetnite 2 AAA baterije (uključene) u pretinac; pobrinite se da polaritet baterija odgovara pozitivnom i negativnom simbolu otisnutom u odjeljku. Zatim zatvorite pretinac za baterije.

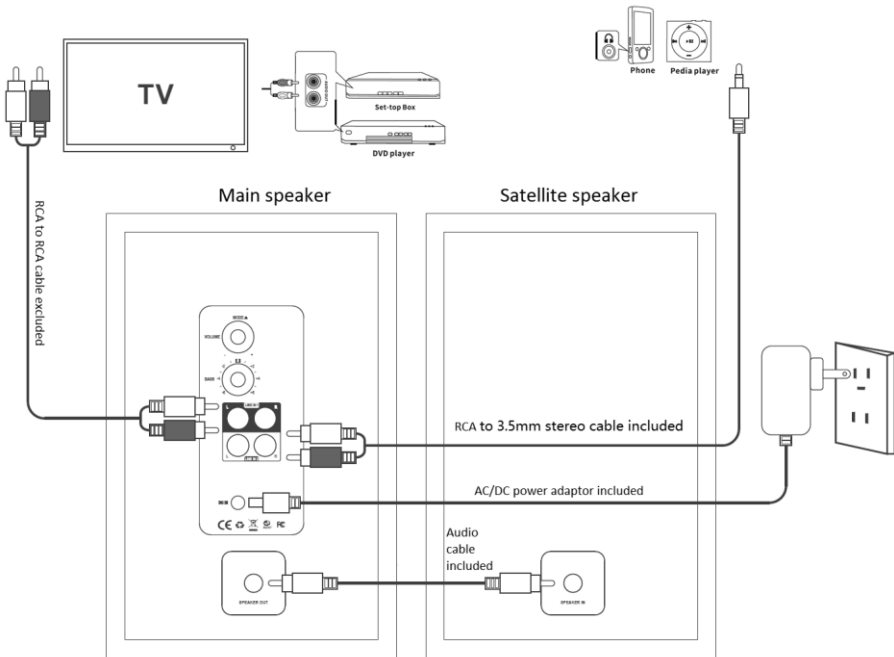


Napomene:

- Najbolja radna udaljenost za daljinski upravljač je 5 metara, bez prepreka između daljinskog upravljača i zvučne trake. Kad koristite daljinski upravljač, usmjerite ga prema senzoru daljinskog upravljača na prednjoj strani zvučne trake.
- Osetljivost daljinskog upravljača smanjit će se kad se baterije isprazne. Tada bi ih trebalo zamijeniti novima.
- Izvadite baterije kad dulje vrijeme ne koristite daljinski upravljač.
- Baterije odlažite na ekološki prihvatljiv način. Pojedini potražite u zahtjevima lokalnih vlasti.

Spajanje glavnih i satelitskih zvučnika: Prije uključivanja zvučnika, prvo ih spojite pomoću isporučenog RCA na RCA (jedan priključak) audio kabela. Spojite jedan kabel u utičnicu glavnog zvučnika, a drugi u utičnicu satelitskog zvučnika.

Spajanje na napon: Spojite isporučeni adapter za izmjeničnu/istosmjernu struju u kućnu utičnicu za izvor napajanja, a zatim spojite istosmjerni utikač adaptera u utičnicu na stražnjoj ploči glavnog zvučnika. Zvučnik će tada ući u stanje pripravnosti i biti spreman za rad. Kratki pritisak tipkeza uključivanje na stražnjoj ploči glavnog zvučnika ili na daljinskom upravljaču može uključiti zvučnike. Dugim pritiskom (3 sekundetipka za uključivanje na stražnjoj ploči ili kratkim pritiskom tipke za uključivanje na daljinskom upravljaču zvučnici se biste isključili stanje pripravnosti.



Ovaj model povezuje se s vanjskim uređajima kao što su TV, TV prijemnik, DVD uređaj, Blu-ray DVD uređaj, MP3 uređaj itd.

Zvučnik ima 2 analogna RCA ulaza (linijski ulaz) za različite izvore. Provjerite na gornjoj slici kako možete povezati vanjske uređaje s ovim modelom. Komplet uključuje 3,5 mm stereo RCA minipriključni kabel.

Rukovanje s Bluetooth

Ovaj proizvod ima funkciju Bluetooth koja omogućava bežičnu reprodukciju glazbe na drugim Bluetooth uređajima (npr. pametnim telefonima, tabletima, televizorima itd.).

1. Uključite uređaj, pritisnite tipku za odabir načina rada na stražnjoj ploči ili tipku Bluetooth na daljinskom upravljaču za ulazak u Bluetooth način rada. Plava LED dioda će početi treperiti u prozorčiću LED diode, što znači da uređaj spreman za uparivanje.
2. Uključite funkciju Bluetooth na vanjskom uređaju (npr. pametnom telefonu) i potražite dostupne uređaje za uparivanje (provjerite korisnički priručnik vanjskog uređaja), a zatim provjerite dostupne Bluetooth uređaje na popisu. Odaberite "BP BS40" za uparivanje i plava led dioda na ovom modelu postat će stabilna nakon uspješnog uparivanja.
3. Odaberite i reproducirajte glazbu sa svog Bluetooth uređaja, podesite glasnoću u skladu s tim i zvuk će se početi reproducirati s ovim modelom.
4. U Bluetooth načinu rada možete izvoditi postupke kao što su odabir prethodne/sjedeće pjesme, reprodukcija/pauza, isključenje zvuka itd. pritiskom odgovarajuće tipke na daljinskom upravljaču.

Napomene:

- a. Nema jamstva da će se svi Bluetooth uređaji pravilno upariti zbog različitog dizajna i marke.
- b. Maksimalna radna udaljenost Bluetootha je 10 metara bez prepreka između uređaja.
- c. Uređaj se može istovremeno upariti i raditi samo s jednim Bluetooth uređajem.
- d. U slučaju dolaznog poziva tijekom reprodukcije Bluetootha, glazba će se privremeno zaustaviti i nastaviti nakon završetka telefonskog razgovora.

Bluetooth veza s TV prijemnikom: Ako TV ima funkciju Bluetooth, ovaj model može bežično reproducirati zvuk s TV. Uključite Bluetooth funkciju u postavkama TV i potražite uređaj pod nazivom "BP BS40" za spajanje. Pojedini potražite u korisničkom priručniku televizora.

Rješavanje problema

1. Zvučnik se ne može uključiti.
 - a. Provjerite je li mrežni priključak ispravan.
2. Nema zvuka.
 - a. Pokušajte prilagoditi glasnoću, provjerite tipku za isključivanje zvuka i izvor reprodukcije.
 - b. Ako se problem nastavi, obratite se servisnom centru za pomoć.
3. Izobličenje zvuka.
 - a. Pokušajte reproducirati glazbu s nižom glasnošću.
 - b. Provjerite status postavke visokih tonova / basova.
 - c. Pokušajte smanjiti glasnoću na vanjskom uređaju kao što je TV itd.
4. Prekidni zvuk u Bluetooth načinu.
 - a. Pokušajte svoj Bluetooth uređaj približiti zvučnoj traci.

Specifikacije

Općenito

Napajanje: DC IN 19V/1,65A
 Potrošnja energije (u načinu rada): xxx W u načinu rada
 Potrošnja moći u režimu pripravnosti: < 0,5 W
 Izlazna moć RMS: 2 x 20 W
 Ukupno harmonijsko izobličenje: < 1% (1 kHz, 1 W)
 Osjetljivost audio ulaza: LINIJA IN 1: 550mV, LINIJA IN 2: 750 mV
 Frekvencijski odziv: 45 Hz – 20 KHz; S/R: >= 80 dB
 USB podrška za glazbu: MP3/WAV/WMA (nema jamstva za reprodukciju svih datoteka)
 Maksimalni kapacitet USB memorije: 32 GB
 Dimenzije uređaja: 155 x 248 x 175mm (S x V x D)
 Ulazi: 2 x RCA linijski ulaz

Zvučnici (veličina/impedancija)

Visokotonski zvučnik: 1,25" / 4Ω
 Impedancija niskotonca: 4" / 4Ω

Bluetooth

Verzija Bluetooth: V5.3
 Radni domet: cca. 10 metara
 Frekvencija prijenosa: 2,402~2,480 GHz
 Protokoli: 2DP/AVCTP/AVDTP/AVRCP/GAVDP/HFP/HID/OPP/RFCOMM/SP
 A2DP/AVRCP
 (Napomena: Specifikacije proizvoda mogu se promijeniti bez prethodne obavijesti.)

Oprema u kompletu:

Daljinski upravljač x 1 kom.
 Baterija za daljinski upravljač x 1 par
 Upute za uporabu x 1 kom
 Jamstveni list x 1 kom
 Audio kabel (3,5 mm stereo u RCA) x 1 kom
 Kabel za spajanje zvučnika: RCA u RCA s jednim priključkom x 1 kom.
 Napajanje izmjeničnom/istosmjernom strujom x 1 kom

INSTRUCȚIUNI IMPORTANTE REFERITOARE LA SIGURANȚĂ



Avertisment:

Pentru a diminua riscul de electrocutare, nu demontați capacul sau partea din spate a dispozitivului. În interiorul dispozitivului nu există elemente care să poată fi reparate de utilizator. De mentenanța și reparația echipamentului se ocupă exclusiv angajații calificați ai service-ului.

Explicarea simbolurilor grafice:



Simbolul fulgerului terminat cu o săgeată, plasat într-un triunghi echilateral, avertizează utilizatorul împotriva unei „tensiuni periculoase” neizolate în carcasa dispozitivului, care poate atinge dimensiunea pericolului de electrocutare.



Semnul exclamării într-un triunghi echilateral avertizează utilizatorul că în acest moment sunt prezentate informații importante referitoare la operarea și mentenanța echipamentului în documentația anexată la dispozitiv.

Rugăm să citiți aceste instrucțiuni înainte de a trece la operarea dispozitivului, să vă familiarizați cu funcțiile acestuia și să le folosiți conform destinației. Acest lucru va asigura o operare de lungă durată și fără avarii a dispozitivului, precum și plăcerea de a-l utiliza.

Informații importante

- Instrucțiunile de operare și informațiile referitoare la siguranță trebuie păstrate în scopul folosirii lor în viitor.
- Nu permiteți ca pe dispozitiv să picure sau să se verse vreun lichid.
- Nu îl folosiți în locuri umede, cum ar fi de ex. sala de baie.
- Dispozitivul nu poate fi montat în următoarele locuri:
- Expus la lumina directă a soarelui sau în apropierea caloriferelor.
- Plasat deasupra unui alt dispozitiv stereofonic care emite căldură.
- Blocând ventilația sau într-un loc prăfuit.
- În locuri expuse la vibrații constante.
- În locuri cu umiditate ridicată.
- Nu așezați dispozitivul în apropierea lumânărilor sau a focului deschis.
- Dispozitivul poate fi folosit exclusiv în modul descris în instrucțiunile de mai jos.
- Înainte de prima pornire, asigurați-vă că sursa de alimentare este conectată în mod corespunzător.
- Stick-urile USB se conectează direct sau folosind un prelungitor USB cu lungime de până la 25 cm.

Din motive de securitate, nu demontați carcasa, deoarece în interior nu există elemente ce ar putea fi reparate de utilizator. De mentenanța și repararea echipamentului se ocupă exclusiv angajații calificați ai service-ului.

Nu demontați și nu deschideți carcasa, deoarece în interior nu există elemente ce ar putea fi reparate de utilizator. De mentenanța și repararea echipamentului se ocupă exclusiv angajații calificați ai service-ului.

INSTRUCȚIUNI REFERITOARE LA SIGURANȚĂ

1. Citiți instrucțiunile – înainte de utilizarea dispozitivului, citiți în întregime instrucțiunile de utilizare, precum și informațiile referitoare la siguranță.
2. Urmați instrucțiunile – păstrați instrucțiunile de utilizare și operare în scopul folosirii lor în viitor.
3. Respectați avertismentele – procedați conform tuturor avertismentelor plasate pe dispozitiv, precum și conform instrucțiunilor de utilizare.
4. Urmați instrucțiunile – procedați conform instrucțiunilor de operare și indicațiilor pentru utilizator.
5. Instalare – setați dispozitivul conform instrucțiunilor producătorului.
6. Surse de alimentare – dispozitivul trebuie alimentat exclusiv de la surse cu parametrii indicați în marjele de pe cablu de alimentare. Dacă utilizatorul nu este sigur de tipul de alimentare de care dispune acasă, trebuie să contacteze vânzătorul dispozitivului sau furnizorul local de energie electrică.
7. Impănăntarea sau polarizarea alimentării – dispozitivul nu trebuie să fie împănântat. Trebuie să vă asigurați că ștecherul este introdus complet în priză sau în prelungitor pentru a nu permite expunerea bolțurilor sau a contactelor. Unele versiuni ale dispozitivului pot fi echipate cu ștecher polarizat de curent alternativ (cu un singur bolt mai larg). Acest ștecher poate fi introdus în priză de rețea doar într-un singur mod. Aceasta este o funcție de protecție. Dacă ștecherul nu poate fi introdus în priză, trebuie încercată rotirea acestuia. Dacă ștecherul în continuare nu se potrivește la priză, trebuie solicitată înlocuirea acestui ștecher de către un electrician. Nu scoateți elementele de protecție din ștecherul polarizat. Când utilizați un prelungitor sau un cablu de alimentare altul decât cel furnizat împreună cu dispozitivul, acestea trebuie să aibă ștecherule corespunzătoare, precum și atestatul de securitate necesar în țara dată.
8. Protecția cablului de alimentare – cablurile de alimentare trebuie plasate astfel încât să nu poată fi călcate, presate sau tăiate de obiectele din jur. Acordați o atenție deosebită ștecherelor, prizelor de rețea și locurilor în care cablurile sunt direcționate de la dispozitiv.
9. Supraîncărcare – Nu supraîncărcați prizele de perete, prelungitoarele și repartitoarele electrice, deoarece acest lucru poate provoca incendii sau electrocutări.
10. Ventilație – dispozitivul trebuie să fie corect ventilat. Dispozitivul nu poate fi pus pe pat, sofa sau suprafețe similare. Nu acoperiți dispozitivul cu fețe de masă, șervețele, ziare, ș.a..
11. Căldură – nu plasați dispozitivul în apropierea unor surse de căldură, precum calorifere, radiatoare, sobe sau alte dispozitive (de asemenea amplificatoare) care generează căldură. Nu puneți pe dispozitiv lumânări aprinse și alte surse de foc deschis.

12. Apă și umezeală – pentru a reduce riscul de incendiu sau electrocutare, nu expuneți dispozitivul la ploaie, apă și umiditate directă, ca de ex. în saună sau baie. Nu folosiți dispozitivul în apropierea apei, de exemplu lângă cadă, lavoar, chiuveta de bucătărie, într-o pivniță umedă sau în apropierea unei piscine (sau în locuri similare).
13. Obiecte și lichide în dispozitiv – nu trebuie forțate niciun fel de obiecte prin deschiderile dispozitivului, deoarece acestea pot să intre în contact cu punctele de tensiune periculoasă și cu componentele, ceea ce poate provoca incendiu sau electrocutare. În niciun caz nu vărsați niciun fel de lichide pe suprafața dispozitivului. Nu puneți pe suprafața dispozitivului obiecte ce conțin lichide.
14. Curățarea – scoateți întotdeauna dispozitivul din priză înaintea de curățare. Praful din jurul difuzorului poate fi îndepărtat cu o cârpă uscată. Dacă se utilizează un aerosol pentru curățare, nu îndreptați jetul de pulverizare direct spre dispozitiv, ci spre cârpă. Aveți grijă să nu deteriorați unitățile de comandă.
15. Echipare suplimentară – nu folosiți accesorii care nu sunt aprobate de producător, deoarece pot constitui un pericol.
16. Accesorii – nu așezați dispozitivul pe un cărucior, postament, stativ, suport sau masă instabile. Dispozitivul se poate răsturna sau deteriora și poate provoca vătămări grave copiilor sau persoanelor adulte. Folosiți numai cărucioare, postamente, stativ, suporturi și mese specificate de producător sau vândute împreună cu dispozitivul. Montarea dispozitivului trebuie efectuată în conformitate cu instrucțiunile producătorului, folosind setul de montaj recomandat de producător.
17. Mutarea dispozitivului – dispozitivul plasat pe cărucior trebuie deplasat cu multă grijă. Oprirea bruscă, forța prea mare sau suprafețele neuniforme pot provoca răsturnarea căruciorului împreună cu dispozitivul.
18. Perioada de nefolosire a dispozitivului – cablul de alimentare al dispozitivului trebuie deconectat de la priză de rețea în timpul furtunilor cu descărcări atmosferice sau când dispozitivul nu va fi folosit pentru o perioadă mai lungă de timp.
19. Servisare – nu încercați să serviți singur dispozitivul. Deschiderea capacului poate duce la contactul cu o tensiune periculoasă și poate expune utilizatorul la alte pericole. De mentenanță și repararea echipamentului se ocupă exclusiv angajații calificați ai service-ului.
20. Când dispozitivul nu este utilizat, ștecherul de alimentare trebuie deconectat de la priză de rețea. Când dispozitivul este conectat la sursa de alimentare, se află în regim de stand by și nu este complet închis.
21. Piese de schimb – la înlocuirea pieselor, trebuie verificat dacă angajatul service-ului a folosit piesele de schimb recomandate de producător sau dacă aceste piese sunt identice cu cele originale. Înlocuirea cu piese neaprobate poate duce la incendii, electrocutare sau alte pericole.
22. Siguranțele principale – pentru a proteja în mod continuu dispozitivul împotriva incendiului, trebuie folosite siguranțe de tip și parametri corecți. Parametrii siguranțelor în acest interval sunt marcați pe dispozitiv.
23. Nu măriți volumul când ascultați o parte dintr-un cântec înregistrat cu volum redus sau în cazul lipsei semnalului audio de început. În caz contrar se poate ajunge la deteriorarea difuzorului în momentul creșterii rapide a intensității semnalului.
24. Singurul mod de a deconecta complet dispozitivul de la sursa de alimentare este deconectarea cablului de alimentare din priză de alimentare sau din dispozitiv. Priza de rețea sau intrarea cablului de alimentare în dispozitiv trebuie să fie mereu accesibile în timpul utilizării produsului.
25. Dispozitivul trebuie amplasat în apropierea unei prize de perete sau a unui cablu prelungitor și astfel încât să fie mereu accesibil.
26. Temperatura maximă ambiantă pentru dispozitiv este de 35°C.
27. Instrucțiuni referitoare la descărcările electrostatice – dacă funcționarea dispozitivului este perturbată de descărcări electrostatice, acesta trebuie oprit și repornit sau mutat în alt loc.
28. Bateria
 - a. Bateriile nu pot fi expuse la căldură excesivă, cum ar fi razele de soare, foc, ș.a.
 - b. Când aruncați bateriile, acordați atenție aspectelor legate de protecția mediului.
 - c. Avertisment referitor la folosirea bateriei: pentru a nu permite pierderea etanșeității bateriei, ceea ce poate provoca vătămări corporale sau deteriorarea a dispozitivului:
 - În timpul introducerii bateriei, respectați polaritatea acesteia (+ și -).
 - Nu folosiți în același timp baterii diferite — vechi și noi, baterii standard și alcaline, ș.a.
 - Scoateți bateriile din dispozitiv, atunci când acesta nu este folosit pentru o perioadă mai lungă.

ATENȚIE

Dispozitivul nu trebuie folosit de persoanele (inclusiv copiii) cu capacități fizice, senzoriale sau mentale reduse, precum și de persoanele cu cunoștințe și experiență insuficiente, în cazul în care nu se află sub supravegherea unei persoane responsabile pentru siguranța lor și nu au fost instruite cum să folosească dispozitivul în condiții de siguranță. Prezența persoanelor adulte este necesară, dacă dispozitivul este folosit de copii; aceasta va permite o folosire în condiții de siguranță a dispozitivului.

1. Nu lăsați dispozitivul nesupravegheat în timpul funcționării! Dispozitivul trebuie închis când nu este folosit, chiar și pentru o perioadă scurtă de timp.
2. Dispozitivul nu poate fi folosit prin intermediul unui temporizator extern și nici cu ajutorul unui sistem separat cu comandă de la distanță.
3. Pentru evitarea pericolului în cazul deteriorării cablului de alimentare, înlocuirea trebuie efectuată de producător, de punctul autorizat de service sau de o altă persoană calificată în acest sens.
4. Înainte de a începe deservirea dispozitivului, trebuie verificat dacă tensiunea acestuia corespunde tensiunii din rețeaua locală de alimentare.
5. Nu acoperiți orificiile de ventilație ale dispozitivului cu ziare, fețe de masă, draperii, ș.a. Trebuie să vă asigurați că deasupra dispozitivului există cel puțin 20 cm de spațiu liber, iar pe fiecare parte a acestuia – cel puțin 5 cm.
6. Nu permiteți ca pe dispozitiv să picure sau să se verse vreun lichid, nu plasați pe acesta obiecte pline cu lichid, cum ar fi vasele.
7. Pentru a evita incendiile sau electrocutarea, dispozitivul trebuie protejat împotriva locurilor fierbinți, ploii, umezelii și prafului.
8. Nu așezați dispozitivul în apropierea oricărei surse de apă, de ex. robinete, căzi, mașini de spălat sau piscine. Dispozitivul trebuie plasat pe o suprafață dreaptă și stabilă.
9. Nu expuneți dispozitivul la câmpuri magnetice puternice.

10. Nu așezați dispozitivul direct pe amplificator sau amplituner.
11. Nu așezați dispozitivul într-un loc umed, deoarece umiditatea are efect dăunător asupra componentelor electrice.
12. După mutarea dispozitivului dintr-un loc rece către un loc cald sau un loc umed, se poate forma condens pe lentila din interiorul playerului. În această situație dispozitivul nu va funcționa corect. Lăsați dispozitivul să funcționeze aproximativ o oră pentru a permite evaporarea umidității.
13. Nu curățați dispozitivul cu solvenți chimici, deoarece aceștia pot distruge lacul carcasi. Dispozitivul se curăță cu o cârpă curată, uscată sau ușor umezită.
14. Când scoateți ștecherul din priză, trageți întotdeauna de ștecher, niciodată de cablul de alimentare.
15. Când dispozitivul pornit este folosit în apropierea televizorului care funcționează, acesta poate fi o sursă de interferență în imagine, sub forma de linii pe ecran. Aceasta depinde de benzile de unde ale transmisiei tv. Aceasta nu înseamnă o funcționare defectuoasă a dispozitivului sau televizorului. Dacă astfel de linii sunt vizibile, dispozitivul trebuie îndepărtat de televizor.
16. Ștecherul de rețea este folosit pentru deconectarea de la tensiunea de alimentare și trebuie să fie mereu accesibil.
17. Pentru a preveni eventuala pierdere de auz, nu ascultați muzică la volum ridicat pentru perioade lungi de timp.

**ATENȚIE**

Declarație

Prin prezenta Blaupunkt Competence Center 2N-Everpol Sp. z o.o. [SRL] declara că acest dispozitiv este în conformitate cu cerințele și alte dispoziții corespunzătoare ale directivei 2014/53 / UE. Declarația completă de conformitate poate fi obținută pe pagina www.blaupunkt.com în secția produsului.

Entitate responsabilă: 2N-Everpol Sp. Z o.o.
Puławska 403A, 02-801 Varșovia, Polonia
Telefon: +48 22 688 08 00,, e-mail: info@everpol.pl



Produsul a fost realizat din materiale și componente de înaltă calitate, ce pot fi reciclate și reutilizate.



Dacă pe dispozitiv există un semn de gunoi tăiat cu roți, înseamnă că produsul este acoperit de prevederile Directivei Europene 2012/19/UE. Pe baza acestui lucru, vă rugăm să respectați reglementările locale și să vă familiarizați cu cerințele pentru sistemul dvs. local de colectare a deșeurilor electrice și electronice și, în cazul acestui produs, să le respectați.

NU ARUNCAȚI ACEST PRODUS CU DEȘEURUL MENAJAR!

ACEST PRODUS CONȚINE SUBȘTANȚE, AMESTECURI ȘI COMPONENTE PERICULOASE CARE, DACĂ NEAUTORIZATE, POT FI O SURSA DE EFECTE POTENȚIALE ASUPRA MEDIULUI NATURAL ȘI A SĂNĂTĂȚII UMANE!

Eliminarea corectă a produsului folosit va preveni efectele negative asupra mediului și sănătății umane.



Dispozitivul este echipat cu baterii care fac obiectul directivei europene 2006/66/EC. Bateriile nu pot fi aruncate împreună cu deșeurile menajere. Consultați reglementările locale privind colectarea separată a bateriilor, deoarece eliminarea corectă va împiedica potențialele consecințe negative pentru mediul natural și sănătatea umană.

Informații privind protecția mediului înconjurător

Ambalajul conține doar elementele necesare. S-au făcut toate eforturile ca cele trei materiale componente ale ambalajului să fie ușor de separat: cutia de carton (cutia), spuma de polistiren (protecție interioară) și polietilena (pungi, folie protectoare). Dispozitivul a fost produs din materiale ce pot fi reciclate și reutilizate după demontarea lor de către o firmă specializată. Trebuie respectate reglementările locale referitoare la eliminarea materialelor de ambalare, bateriilor folosite și a echipamentelor inutile.

Înregistrarea și redarea materialelor poate necesita obținerea unei autorizații. Consultați legea referitoare la drepturile de autor și drepturile executanților / artiștilor.

Remarcă referitoare la ERP2 (dispozitive legate de energie)

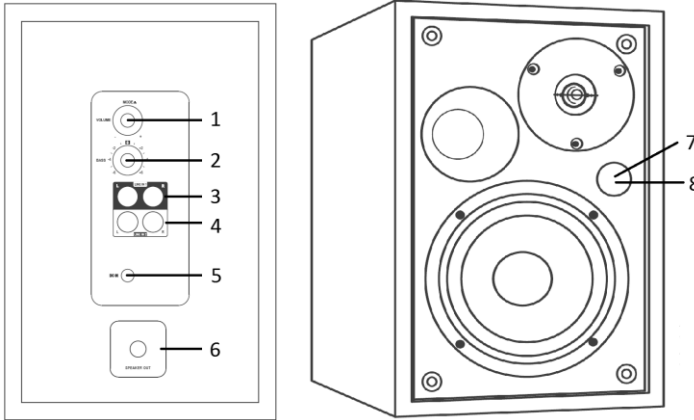
Prezentul dispozitiv cu ecoproiect îndeplinește cerințele etapei 2 din Regulamentul Comisiei (CE) nr 1275/2008 care introduce directiva 2009/125/CE referitoare la consumul de energie al dispozitivelor electronice de birou și de uz casnic, închise sau aflate în regim de stand by.



Proprietarul mărcilor comerciale și siglei Bluetooth® este compania Bluetooth SIG, Inc. USA. Folosirea acestor mărci și sigle este supusă unei licențe. Alte mărci și denumiri comerciale aparțin respectivelor proprietari.

Vă mulțumim că ați cumpărat modelul nostru, vă rugăm să citiți și să înțelegeți cu atenție acest manual înainte de a porni dispozitivul. Vă rugăm să păstrați acest manual pentru referințe viitoare.

Amenajarea comenzilor



1. Buton selector de pornire/volum/mod de redare: apăsați-l scurt pentru a porni dispozitivul după ce îl conectați la sursa de alimentare; apăsați și mențineți apăsat timp de 3 secunde pentru a comuta dispozitivul în modul standby; apăsați-l scurt de mai multe ori pentru a schimba modul de redare; rotiți butonul pentru a regla volumul principal.

2. Buton de control al basului: rotiți-l pentru a crește sau reduce nivelul basului.

3. Mufă de intrare linie RCA 1

4. Mufă de intrare linie RCA 2

5. Priza de curent continuu.

6. Conector de ieșire difuzor: conectați-vă la un difuzor satelit pentru modul stereo stereo.

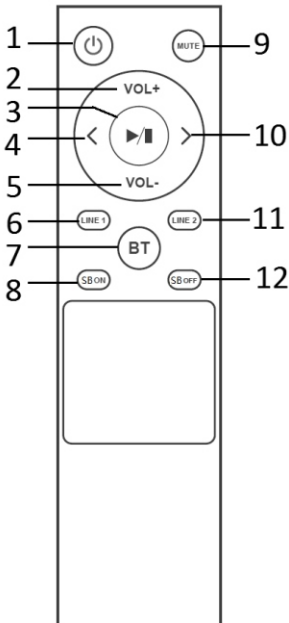
7-8: Senzor infraroșu pentru telecomandă și o fereastră cu indicator LED:

Roșu: în modul de așteptare.

Culoare albastră: în modul Bluetooth.

Albastru deschis: în modul de intrare linie 1.

Galben: în modul de introducere pe linie 2.



Telecomandă

1. Buton de pornire: apăsați pentru a porni/dezactiva dispozitivul în modul de așteptare.

2,5-Buton de volum +/-: apăsați pentru a regla volumul de ieșire.

3- Redare/Pauză: apăsați pentru a reda sau a întrerupe sunetul în modul Bluetooth.

4,10- Buton Anterior/Următorul: apăsați pentru a comuta melodia anterioară/următoare în modul Bluetooth.

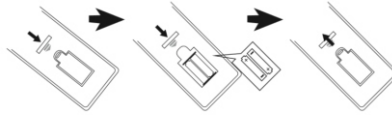
6,7,11- Buton selectare: intrare de linie 1/Bluetooth/intrare de linie 2: apăsați-l pentru a trece direct la modul de redare corespunzător.

8,12- Buton de pornire/oprire super bas: apăsați pentru a activa sau dezactiva funcția super bas.

9- Buton pentru sunet: apăsați pentru a opri difuzorul; apăsați din nou pentru a relua redarea.

Instalarea bateriilor telecomenzii

Deschideți compartimentul pentru baterii și introduceți 2 baterii AAA (incluse) în compartiment; asigurați-vă că polaritatea bateriilor corespunde simbolului pozitiv și negativ imprimat în interiorul compartimentului. Apoi închideți compartimentul bateriei.

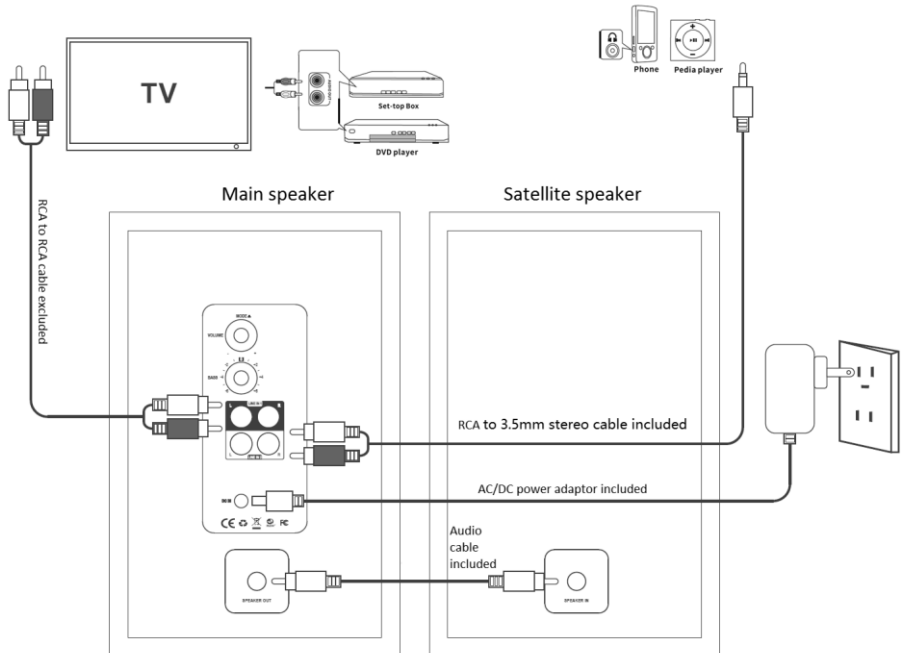


Comentarii:

- Cea mai bună distanță de lucru pentru telecomandă este de 5 metri, fără obstrucție între telecomandă și bara de sunet. Când utilizați telecomanda, îndreptați-l spre senzorul telecomenzii din partea din față a barei de sunet.
- Sensibilitatea telecomenzii va scădea atunci când bateriile sunt descărcate. Apoi, acestea ar trebui înlocuite cu altele noi.
- Scoateți bateriile atunci când nu utilizați telecomanda pentru o lungă perioadă de timp.
- Aruncați bateriile într-un mod ecologic. Consultați cerințele autorității locale pentru detalii.

Conectarea difuzoarelor principale și satelit: Înainte de a porni difuzoarele, conectați-le mai întâi împreună folosind cablul audio cu RCA la RCA (un singur conector) furnizat. Conectați un capăt al cablului la mufa de pe difuzorul principal și conectați celălalt ștecher la mufa de pe difuzorul satelit.

Conexiune de alimentare: Conectați adaptorul AC/DC furnizat la o priză de curent alternativ de uz casnic pentru a obține o sursă de alimentare, apoi conectați mufa DC a adaptorului la mufa de alimentare de pe panoul din spate al difuzorului principal. Difuzorul va intra apoi în modul de așteptare și va fi gata de utilizare. O apăsare scurtă pe butonul pentru a porni alimentarea de pe panoul din spate al difuzorului principal sau de pe telecomandă poate porni difuzoarele. O apăsare lungă (3 secunde) a butonului pentru a porni alimentarea pe panoul din spate sau o apăsare scurtă a butonului de alimentare de pe telecomandă poate trece dezaactivat modul de așteptare de așteptare.



Acest model se conectează la dispozitive externe, cum ar fi TV, set-top box TV, DVD player, Blu-ray DVD player, MP3 player etc.

Difuzorul are 2 intrări analogice RCA (intrare de linie) pentru diverse surse. Verificați figura de mai sus cum puteți conecta dispozitive externe la acest model. Setul include un cablu RCA stereo - minijack de 3,5 mm.

Suport pentru Bluetooth

Acest produs include o funcție Bluetooth care vă permite să redați muzică fără fir de pe alte dispozitive Bluetooth (de exemplu, smartphone-uri, tablete, televizoare, etc.).

1. Porniți dispozitivul, apăsați butonul de selectare a modului de pe panoul din spate sau butonul Bluetooth de pe telecomandă pentru a intra în modul Bluetooth. LED-ul albastru va clipi în fereastra LED, ceea ce înseamnă că dispozitivul este gata de asociere.
2. Activați funcția Bluetooth de pe dispozitivul extern (de exemplu, smartphone-ul) și căutați dispozitivele disponibile pentru împerechere (consultați manualul de utilizare al dispozitivului extern), apoi verificați dispozitivele Bluetooth disponibile în listă. Selectați „BP BS40” pentru a asocia și LED-ul albastru de pe acest model va deveni stabil după asocierea cu succes cu dispozitivul.
3. Selectați și redați muzică de pe dispozitivul dvs. Bluetooth, reglați volumul în consecință, iar sunetul va începe redarea prin acest model.
4. În modul Bluetooth, puteți efectua operațiuni cum ar fi selectarea melodiei anterioare/următoare, redare/pauză, dezactivare, etc. apăsând butonul corespunzător de pe telecomandă.

Comentarii:

- a. Nu se garantează că toate dispozitivele Bluetooth se împerechează corect din cauza diferitelor modele și mărci.
- b. Distanța maximă de operare Bluetooth este de 10 metri fără obstacole între dispozitive.
- c. Dispozitivul se poate împerechea și poate funcționa numai cu un dispozitiv Bluetooth la un moment dat.
- d. În cazul unui apel primit în timpul redării prin Bluetooth; muzica va fi temporar întreruptă și reluată când apelul telefonic se termină.

Conexiune Bluetooth la televizor: Dacă televizorul dvs. are o funcție Bluetooth, acest model poate reda audio de la televizor fără fir. Activați funcția Bluetooth în setările televizorului și căutați un dispozitiv numit „BP BS40” pentru a vă conecta. Vă rugăm să consultați manualul de utilizare al televizorului dumneavoastră pentru detalii.

Probleme de dispozitiv și rezolvare

1. Difuzorul nu poate porni.
 - a. Verificați dacă conexiunea de alimentare este corectă.
2. Fără sunet.
 - a. Încercați să reglați volumul, verificați butonul de mutare și sursa de redare.
 - b. Contactați centrul de service pentru asistență dacă problema persistă.
3. Distorsiunea sunetului.
 - a. Încercați să redați muzică la un nivel de volum mai mic.
 - b. Verificați starea setării pentru înalte / bas.
 - c. Încercați să reduceți volumul pe un dispozitiv extern, cum ar fi un televizor etc.
4. Sunet intermitent în modul Bluetooth.
 - a. Încercați să vă apropiați de dispozitivul Bluetooth de difuzor de sunet.

Specificații

Generale

Alimentare electrică: DC IN 19V/1,65 A
 Consum de energie (în modul ON): xxx W în modul de funcționare
 Consumul de energie în modul de așteptare: < 0,5 W
 Putere de ieșire RMS: 2 x 20W
 Distorsiune armonică totală: < 1% (1 kHz, 1 W)
 Sensibilitate de intrare audio: LINE IN 1: 550MV, LINE IN 2: 750MV
 Raspuns în frecvență: 45 Hz – 20 KHz; S/R: >= 80 dB
 Suport muzical prin USB: MP3/WAV/WMA (redarea tuturor fișierelor nu este garantată)
 Capacitate maximă de memorie USB: 32 GB
 Dimensiuni dispozitiv: 155 x 248 x 175 mm (lățime x înălțime x adâncime)
 Intrări: 2 x intrare de linie RCA

Difuzoare (dimensiune/impedanță)

Un tweeter: 1,25”/ 4Ω
 Impedanța wooferului: 4”/4 Ω

Bluetooth

Versioni Bluetooth: V5.3
 Raza de lucru: aproximativ 10 metri
 Frecvența de transmisie: 2,402~2,480 GHz
 Protocoloale: ZDP/AVCTP/AVDTP/AVRCP/GAVDP/HFP/HID/OPP/RFCOMM/SPP
 A2DP/AVRCP
 (Note: Specificațiile produsului pot fi modificate fără notificare prealabilă).

Accesorii incluse în set:

Telecomanda x 1 buc.
 Baterie pentru telecomandă x 1 pereche
 Manual de utilizare x 1 buc.
 Card de garanție x 1 buc.
 Cablu audio (3,5 mm stereo la RCA) x 1 buc.
 Cablu de conectare difuzor: RCA la RCA cu un singur conector x 1 buc.
 Alimentare AC/DC x 1 buc.

ВАЖНИ ИНСТРУКЦИИ ЗА БЕЗОПАСНОСТ**ОПАСНОСТ ОТ ТОКОВ**УДАР
НЕ ОТВАРЯЙ**Внимание:**

За да се намали рискът от токов удар, не се разрешава демонтиране на капака, дори и на задната част на устройството. В самото устройство няма елементи, предназначени за самостоятелно ремонтване от потребителите. С обслужване и ремонтване на оборудването се занимават единствено квалифицирани служители на сервиса.

Обяснение на графичните символи:

Светкавица, завършваща със стрелка, в равностранен триъгълник предупреждава потребителя за неизолотирано, „опасно“ напрежение около устройството, което напрежение може да има размери, заплашващи с токов удар.



Удивителният знак в равностранен триъгълник предупреждава потребителя, че в този момент в документацията, прикачена към устройството, се предоставя важна информация за обслужването и запазването на оборудването.

Моля, прочетете тази инструкция, преди да пристъпите към обслужване на устройството, за да се запознаете с неговите функции и да го използвате съгласно неговото предназначение. Това ще Ви осигури дълготрайно, безаварийно обслужване на устройството и удоволствие от използването му.

Важна информация

- Запазете инструкцията за ползване, както и информацията за безопасност, с цел използване в бъдеще.
- Да не се допуска прокапване или протичане на течност върху устройството.
- Също да не се използва на влажни места като например в баня.
- Да не се инсталира това устройство на следните места:
- Изложени на непосредствено действие на слънчеви лъчи или близо до радиатори.
- Да не се поставя на повърхността на друго стереофично оборудване, което отделя топлина.
- Ако ще блокира вентилация или в прашно помещение.
- На места, изложени на постоянна вибрация.
- На места с висока влажност.
- Да не се поставя устройството близо до свещи или открит огън.
- Устройството може да се използва единствено по начина, описан в настоящата инструкция.
- Преди първото включване на захранването трябва да се уверите, че зарядното устройство е включено правилно.
- USB паметта се свързва непосредствено или с помощта на USB кабел с дължина до 25 см.

От съображения за сигурност да не се демонтират конструкциите, както и да не се осигурява достъп до вътрешността на устройството. Забранено е отварянето на устройството, както и отварянето на неговата конструкция, тъй като вътре няма части, които биха могли да бъдат поправени от потребителя. С обслужването и поправката на оборудването се занимават единствено квалифицирани служители на сервиса.

ИНСТРУКЦИИ ЗА БЕЗОПАСНОСТ

1. Прочетете инструкцията – преди употреба прочетете цялата инструкция за обслужване, както и информацията за безопасност.
2. Запазете инструкцията – запазете инструкцията за употреба и обслужване с цел по-нататъшно използване.
3. Спазвайте предупрежденията – постъпвайте съгласно с всички предупреждения, поместени на устройството и съгласно с инструкцията за употреба.
4. Спазвайте инструкциите – постъпвайте съгласно с инструкцията за употреба и насоките за потребителя.
5. Инсталация - настройвайте устройството в съответствие с инструкциите на производителя.
6. Източници на захранване - захранвайте устройството само от източници с параметри, посочени на захранващия кабел. Ако не сте сигурни каква енергия имате въкъси, трябва да се свържете с продавача на устройството или местния доставчик на електрическа енергия.
7. Заземяване или поляризация на захранването – устройството не трябва да бъде заземявано. Уверете се, че щепселът е изцяло пхнат в електрическата мрежа или удължителния кабел, за да не се откриват щифтовете или контактите. Някои версии на устройството могат да бъдат оборудвани с поляризиран адаптер за променлив ток (с по-широк щифт). Този щепсел може да бъде вкаран в гнездото само по един начин. Това е функция за обезопасяване. Ако не можете да поставите щепсела в гнездото, опитайте да го обърнете. Ако щепселът все още не се побира в гнездото, поискайте от електротехник да го смените. Не изваждайте предизпителите от поляризиращ щепсел. Ако използвате удължителен кабел или захранващ кабел, различен от тези, предоставени с устройството, той трябва да има съответните щепсели и одобрения за безопасност, изисквани в дадената страна.
8. Обезопасяване на захранващия кабел - Захранващите кабели трябва да бъдат насочвани така, че да не може да се стъпва по тях, да не бъдат притискани или прерязани от поставени върху тях предмети. Обърнете специално внимание на щепселите, контактите и мястото, където кабелите се извеждат от устройството.
9. Претоварване - Не претоварвайте стенните контакти, удължителите и електро-разпределителите, тъй като това може да доведе до пожар или токов удар.
10. Вентилация - устройството трябва да бъде охлаждаемо правилно. Не поставяйте устройството на легло, диван или подобни повърхности. Не покривайте уреда с покривки, салфетки, вестници и др.
11. Топлина - не поставяйте устройството в близост до източници на топлина като радиатори, лъчеви нагреватели, печки или други уреди (включително топлинни генератори), които произвеждат топлина. Не поставяйте запалени свещи или друг открит огън върху устройството.

12. Вода и влага - За да намалите риска от пожар или токов удар, не излагайте устройството на пряк дъжд, вода или влага, например в сауната или в банята. Не използвайте това устройство близо до вода като вана, мивка, кухненска мивка или вана, в мокро помещение или в близост до плувен басейн (или на подобни места).
13. Предмети и течности в устройството - не вкарвайте предмети през отворите на устройството, тъй като могат да влязат в контакт с опасни точки и компоненти на напрежение, което може да доведе до пожар или токов удар. При никакви обстоятелства не трябва да разливате течности по повърхността на устройството. Не поставяйте върху устройството предмети, съдържащи течности.
14. Почистяване - Преди почистяване винаги изключвайте устройството от контакта. Прахът около високоговорителя може да премахнете с помощта на суха кърпа. Ако за почистяването ще използвате аерозол, не насочвайте пръскачката директно към устройството, а към кърпата. Внимавайте да не повредите задвижващите устройства.
15. Допълнително оборудване - Не използвайте аксесоари, които не са одобрени от производителя, тъй като те могат да представляват риск.
16. Аксесоари - Не поставяйте устройството върху нестабилна количка, стойка, статив, конзола или маса. Устройството може да се преобръне и повреди, както и може да причини сериозни наранявания у деца или възрастни. Използвайте само колички, стойки, стативи, конзоли и маси, определени от производителя или продавани заедно с устройството. Сглобете уреда съгласно инструкциите на производителя, като използвате монтажния комплект, препоръчани от производителя.
17. Преместване на устройството - устройството, поставено на количката, трябва да се премества много внимателно. Внезапно спиране, твърде голяма сила или неравна повърхност може да доведе до преобръщане на количката заедно с устройството.
18. Период на неизползване на устройството - Изключете захранващия кабел от контакта по време на гръмотевищни бури, или когато не използвате уреда за по-дълъг период от време.
19. Обслужване - не се опитвайте самостоятелно да правите преглед на устройството. Отварянето на капака може да доведе до опасно напрежение и да изложи потребителя на други опасности. С консервация и ремонтниране на оборудването се занимават единствено квалифицирани служители на сервиса.
20. Когато устройството не е в употреба, извадете захранващия кабел от контакта. Когато устройството е свързано към източник на захранване, то е в режим на готовност и не е напълно изключено.
21. Резервни части - при подмяна на части се уверете, че техникът е използвал препоръчаните от производителя резервни части или също, че частите са идентични с оригиналните. Подмяната с неодобрени части може да доведе до пожар, токов удар или други опасности.
22. Главни предпазители - за да предпазите устройството за постоянно от пожар, използвайте предпазители от съответния тип и параметри. Параметрите на предпазителя в даден обхват на напрежение са обозначени на устройството.
23. Не увеличавайте силата на звука, когато слушате част от песен с ниска сила на звука или при липсата на входен аудио сигнал. В противен случай при бързото увеличаване на силата на сигнала може да се стигне до повреда на високоговорителя.
24. Единственият начин за напълно изключване на устройството от източника на захранване е да изключите захранващия кабел от контакта или от устройството. Винаги, когато използвате устройството, трябва да има достъпен захранващ контакт или захранващ кабел.
25. Устройството трябва да се постави близо до контакт или удължителен кабел и така, че да е винаги достъпно.
26. Максималната температура на околната среда на устройството е 35 ° C.
27. Инструкции за електростатично разреждане - ако работата на устройството е прекъсната от електростатичен разряд, изключете уреда и повторно включете устройството или го преместете на друго място.
28. Батерия
 - a. Не излагайте батериите на прекомерна топлина като например слънчеви лъчи, огън и др.
 - b. Когато използвате батериите, обърнете внимание на изискванията за опазване на околната среда.
- в. Предупреждение за използване на батерията: За да не се стигне до изтичане на батерията, което може да доведе до нараняване или повреда на устройството:
 - , При поставяне на батерията, обърнете внимание на нейните полюси (+ и -).
 - , Не използвайте едновременно различни батерии - стари и нови, стандартни и алкални и др.
 - , Извадете батериите от устройството, ако няма да го използвате за по-дълъг период от време.

ВНИМАНИЕ

Устройството не трябва да се използва от хора (включително деца) с намалени физически, сензорни или психически способности и лица с недостатъчни познания и опит, освен ако не са под наблюдението на лице, отговорно за тяхната безопасност и не са инструктирани как безопасно да използват устройството. Необходимо е присъствието на възрастни, ако устройството се използва от деца; това ще осигури безопасно използване на устройството.

1. Не оставяйте устройството без надзор! Изключвайте устройството, когато не го използвате, дори и за кратко време.
2. Не включвайте устройството чрез възнен часовник, нито чрез отделна система за дистанционно управление.
3. За да избегнете опасност при повреда на захранващия кабел, подмяната трябва да се извърши от производителя, от упълномощен сервизен център или от друго квалифицирано лице.
4. Преди да използвате уреда се уверете, че напрежението му съответства на напрежението на местното захранване.
5. Не покривайте вентилационните изходи, например с вестници, покривки, завеси и др. Уверете се, че над устройството има най-малко 20 см свободно пространство и от всяка страна на уреда - най-малко 5 см.
6. Не допускайте да капят или да се разливат течности или не поставяйте предмети, съдържащи течности като например вази.
7. За да избегнете пожар или токов удар, предпазвайте устройството от горещи места, дъжд, влага и прах.
8. Не поставяйте устройството близо до водоизточници като кранове, вани, перални машини или плувни басейни. Поставете устройството на равна и стабилна повърхност.
9. Не излагайте устройството на силни магнитни полета.
10. Не поставяйте устройството директно върху усилвателя или приемника.
11. Не поставяйте устройството на влажно място, тъй като влагата има вреден ефект върху електрическите компоненти.
12. При внасяне на устройството от студено на топло или на влажно място, може да се образува конденз върху обектива въртре в плътера. В този случай устройството няма да работи правилно. Оставете включения уред в продължение на около един час, за да може влагата да се изпари.

13. Не почиствайте устройството с химически разтворители, тъй като те могат да повредят лаковото покритие на конструкцията. Избършете устройството с чиста, суха или леко влажна кърпа.
14. Когато изваждате щепсела от контакта, винаги издърпвайте щепсела, а не захранващия кабел.
15. Когато устройството е включено в близост до телевизор, то може да е източник на смущения под формата на линии на екрана. Това зависи от дължината на телевизионната вълна. Не означава неизправност на устройството или телевизора. Ако видите такива линии, преместете устройството далеч от телевизора.
16. Захранващият щепсел се използва за изключване на захранващото напрежение и трябва да е винаги на разположение.
17. За да предотвратите евентуална загуба на слух, не слушайте силна музика в продължение на дълги периоди от време.

**ВНИМАНИЕ**

Декларация

С настоящото Blaupunkt Competence Center 2N-Everpol Sp. z o.o. декларира, че това устройство отговаря на изискванията и други приложими разпоредби на Директива 2014/53 / на ЕС. Пълната декларация за съответствие може да бъде намерена на www.blaupunkt.com в раздела за продукти.

Отговорно лице: 2N-Everpol Sp. z o.o.
Puławska 403A, 02-801 Warszawa, Polska
Телефон: +48 22 688 08 00, e-mail: info@everpol.pl



Продуктът е произведен от висококачествени материали и компоненти, които могат да бъдат рециклирани и повторно използвани.

Ако на вашето устройство има символ със зачеркнат контейнер за боклук, това означава, че продуктът е обхванат от разпоредбите на Европейска директива 2012/19/ЕС. Въз основа на това, моля, следвайте местните разпоредби и се запознайте с изискванията за вашата местна система за събиране на електрически и електронни отпадъци и, в случай на този продукт, спазвайте ги.

НЕ ИЗХВЪРЛЯЙТЕ ТОЗИ ПРОДУКТ С ВАШИТЕ ДОМАКИНСКИ ОТПАДЪЦИ!
ТОЗИ ПРОДУКТ СЪДЪРЖА ОПАСНИ ВЕЩЕСТВА, СМЕСИ И КОМПОНЕНТИ, КОИТО, АКО СА НЕРАЗРЕШЕНИ, МОГАТ ДА БЪДАТ ИЗТОЧНИК НА ПОТЕНЦИАЛНИ ЕФЕКТИ ВЪРХУ ПРИРОДНАТА ОКОЛНА СРЕДА И ЧОВЕШКОТО ЗДРАВЕ!
Правилното изхвърляне на използвания продукт ще предотврати отрицателните ефекти върху околната среда и човешкото здраве.



Устройството е оборудвано с батерии, които са част от европейска директива 2006/66/ЕС. Не изхвърляйте батериите заедно с битови отпадъци. Запознайте се с изискванията на местната система за събиране на батерии, тъй като правилната употреба на стария продукт ще предотврати потенциални негативни последици за околната среда и човешкото здраве.

Информация за опазване на околната среда

Пакетът съдържа само необходимите елементи. Положени са всички усилия, за да се гарантира, че трите компонента на опаковката са лесни за разделяне: картонена кутия, полистиролова пяна (вътрешна защита) и полиетилен (торбички, защитен лист). Устройството е изработено от материали, които могат да бъдат рециклирани и повторно използвани, след като се демонтират от специализирана фирма. Спазвайте местните разпоредби за изхвърляне на опаковъчни материали, отпадъчни батерии и ненужно оборудване.

Записването и възпроизвеждането на материали може да изисква съгласие. Вижте Закона за авторските права и правата на изпълнителите/ артистите.

Забележка относно ERP2 (на устройства, свързани с енергопотребление)

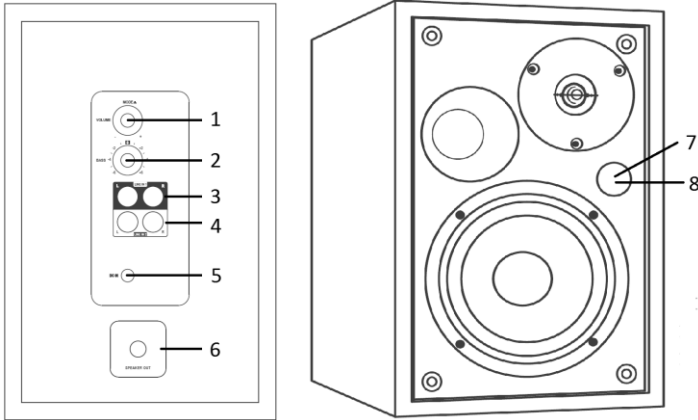
Настоящото устройство с екопроект отговаря на изискванията на етап 2 от Регламента на Комисията (ЕО) № 1275/2008 за прилагане на Директива 2009/125 / ЕО относно консумацията на енергия от електроуреди за офиса и дома.



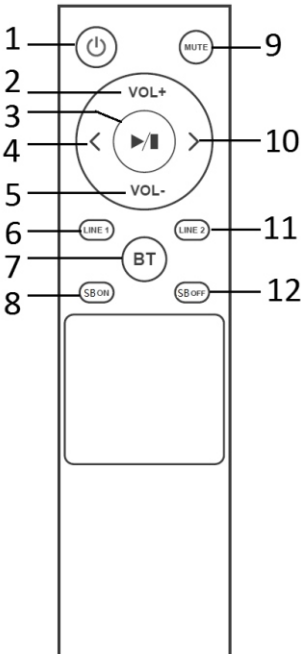
Собственик на търговските знаци и логото Bluetooth® е фирма Bluetooth SIG, Inc. USA. Използването на тези знаци и логото подлежи на лицензиране. Другите знаци и търговски названия принадлежат на съответните собственици.

Благодарим Ви, че избрахте нашия модел, моля, запознайте се внимателно с настоящата инструкция, преди да започнете да го използвате. Моля, съхранявайте инструкцията за бъдещи справки.

Разположение на елементите за управление



- 1. Въртящо се копче за включване/регулиране на силата на звука/избор на режим на възпроизвеждане:** натиснете го за кратко, за да включите устройството след първото му свързване към захранването; натиснете и задръжте за 3 секунди, за да превключите устройството в режим готовност; натиснете го няколко пъти за кратко, за да промените режима на възпроизвеждане; завъртете копчето, за да регулирате основната сила на звука.
- 2. Въртящо копче за управление на басите:** завъртете го, за да увеличите или намалите нивото на басите.
- 3. Входно линейно гнездо RCA 1** **4. Входно линейно гнездо RCA 2** **5. Гнездо за захранване с постоянен ток.**
- 6. Изходен конектор на високоговорителя:** свържете към сателитен високоговорител за стерео режим.
- 7-8: Инфракчервен сензор за дистанционно управление и прозорче с LED индикатор:**
Червен цвят: в режим на готовност. **Син цвят:** в режим Bluetooth.
Светлосин цвят: в режим на линеен вход 1. **Жълт цвят:** в режим на линеен вход 2.

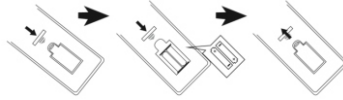


Дистанционно управление

- 1. Бутон за захранване:** натиснете го, за да включите/изключите устройството в режим готовност.
- 2,5- Бутон за сила на звука +/-:** натиснете, за да регулирате силата на звука на изхода.
- 3 - Възпроизвеждане/пауза:** натиснете, за да възпроизведете или да спрете звука в режим Bluetooth.
- 4,10 - Бутон Предишно/следващо произведение:** натиснете, за да превключите предишното/следващото произведение в режим Bluetooth.
- 6,7,11- Бутон за избор на:** линеен вход 1/Bluetooth/линеен вход 2: натиснете го, за да преминете директно към съответния режим на възпроизвеждане.
- 8,12- Бутон за включване/изключване на функцията Супер бас:** натиснете, за да включите или изключите функцията супер бас.
- 9- Бутон за изключване на звука:** натиснете, за да изключите звука на високоговорителя; натиснете отново, за да възобновите възпроизвеждането.

Инсталиране на батериите в дистанционното управление

Отворете капака на гнездото и поставете 2 батерии AAA в гнездото (доставени в комплекта); уверете се, че полярността на батериите съответства на положителния и отрицателния символ, нанесен в отделението. След това затворете гнездото на батериите.

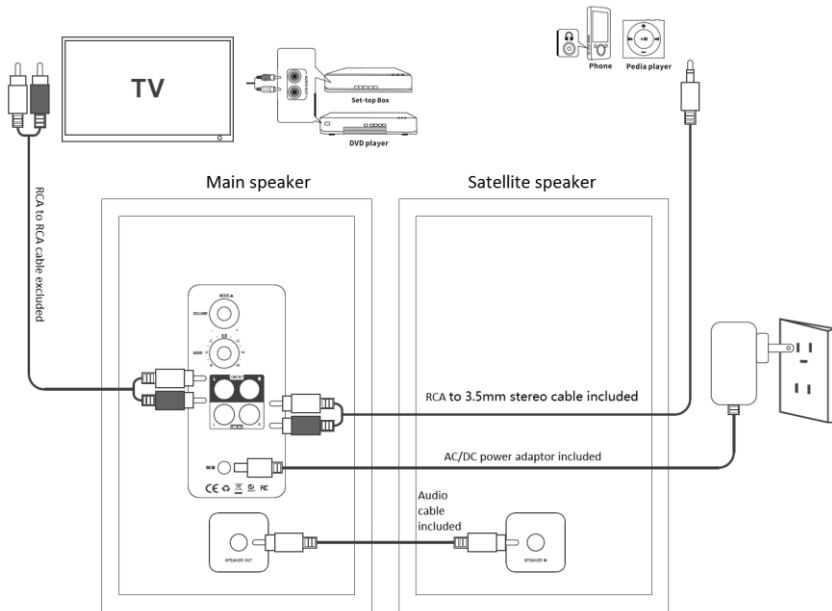


Забележки:

- Най-доброто разстояние за работа на дистанционното управление е 5 метра, без никакви препятствия между дистанционното управление и саундбара. Когато използвате дистанционното управление, насочете го към датчика за дистанционно управление, разположен в предната част на саундбара.
- Чувствителността на дистанционното управление ще намалее, когато батериите се изтощат. Тогава те трябва да бъдат заменени с нови.
- Ако няма да използвате дистанционното управление през по-дълъг период от време - извадете батериите.
- Батериите трябва да се обезвредят по екологосъобразен начин. За повече информация моля, вижте изискванията на местните власти.

Свързване на основния и сателитния високоговорител: Преди да включите високоговорителите, първо ги свържете заедно с помощта на доставения RCA към RCA (единичен конектор) аудиокабел. Свържете единия конектор на кабела към гнездото на основния високоговорител, а другия конектор - към гнездото на сателитния високоговорител.

Свързване към захранването: Свържете доставеното захранване AC/DC към домашен контакт AC, за да получите източник на захранване, след което присъединете DC конектора на захранването към захранващото гнездо DC на задния панел на главния високоговорител. След това високоговорителят ще влезе в режим готовност и ще бъде готов за работа. Кратко натискане копчето за включване на захранването на задния панел на основния високоговорител или на дистанционното управление може да включи високоговорителите. С продължително натискане (3 секунди) на копчето за включване на захранването на задния панел или кратко натискане на бутона на захранването на дистанционното управление високоговорителите изключи режим готовност/готовност.



Този модел се свързва с външни устройства, като например телевизор, телевизионен декодер, DVD плейър, Blu-ray DVD плейър, MP3 плейър и др.

Високоговорителят има 2 аналогови входа RCA (линеен вход) за различни източници. Вижте фигурата по-горе, за да видите как можете да свържете външни устройства към този модел. В комплекта е включен стерео кабел RCA - минижак 3,5mm.

Обслужване на Bluetooth

Този продукт включва функция Bluetooth, която позволява безжично възпроизвеждане на музика от други Bluetooth устройства (напр. смартфони, таблети, телевизори и др.).

1. Включете устройството, натиснете бутона за избор на режим на задния панел или бутона Bluetooth на дистанционното управление, за да влезете в режим Bluetooth. Синият светодиод ще мига в прозореца на LED диода, което показва, че устройството е готово за сдвояване.
2. Включете функцията Bluetooth на външното устройство (напр. смартфон) и потърсете налични устройства за сдвояване (вижте инструкцията за употреба на външното устройство), след което проверете наличните Bluetooth устройства в списъка. Изберете "BP BS40" за сдвояване и при успешно сдвояване светлината на синия светодиод на този модел ще стане стабилна и постоянна.
3. Изберете и възпроизведете музика от Bluetooth устройството си, регулирайте съответно силата на звука и звукът ще започне да се възпроизвежда от този модел.
4. В режим Bluetooth можете да извършвате операции като: избор на предишна/следваща песен, възпроизвеждане/пауза, изключване на звука и т.н. чрез натискане на съответния бутон на дистанционното управление.

Забележки:

- a. Не може да се гарантира, че всички Bluetooth устройства ще се сдвоят правилно поради различните конструкции и марки.
- b. Максималното разстояние за работа за Bluetooth е 10 метра без препятствия между устройствата.
- c. Устройството може да се сдвоява и да работи само с едно Bluetooth устройство в даден момент.
- d. В случай на телефонно обаждаване по време на възпроизвеждане Bluetooth: музиката временно ще бъде спряна и възобновена, когато телефонното обаждаване приключи.

Bluetooth връзка с телевизора: Ако телевизорът разполага с функция Bluetooth, този модел може да възпроизвежда звук безжично от телевизора. Активирайте функцията Bluetooth в настройките на телевизора и потърсете устройство с име "BP Bs40", към което да се свържете. За подробности вижте ръководството за обслужване на телевизора.

Решаване на проблеми

1. Високоговорителят не може да се включи.
 - a. Проверете, дали захранването е свързано правилно.
2. Липса на звук.
 - a. Опитайте да регулирате нивото на силата на звука, проверете бутона за изключване на звука и източника на възпроизвеждане.
 - b. Свържете се със сервизен център, ако проблемът продължава.
3. Деформиране на звука.
 - a. Опитайте да възпроизведете музиката при по-ниско ниво на силата на звука.
 - b. Проверете състоянието на настройките на сопраното/баса.
 - v. Опитайте да намалите силата на звука във външното устройство като телевизор и т.н.
4. Прекъсване на звука в режим Bluetooth.
 - a. Преместете устройството Bluetooth по-близо до високоговорителя.

Спецификации

Общи

Захранване: DC IN 19V/1,65 A

Консумация на мощност (в режим включен): xxx W в режим работа

Консумация на мощност в режим готовност: < 0,5W

Изходна мощност RMS: 2 x 20W

Общо хармонично изкривяване: <1% (1 kHz, 1 W)

Чувствителност на аудио входа: LINE IN 1: 550mV, LINE IN 2: 750 mV

Честотна лента: 45 Hz – 20 KHz; S/R: >= 80 dB

Обслужване на музика от USB: MP3/WAV/WMA (не е гарантирано възпроизвеждането на всички файлове)

Максимален капацитет на USB паметта: 32 GB

Размери на устройството: 155 x 248 x 175 mm (шир. x вис. x дълб.)

Входове: 2 x линейни входа RCA

Високоговорители (размер/импеданс)

Висококачествен високоговорител: 1,25"/ 4Ω

Импеданс на нискочестотния говорител: 4"/4 Ω

Bluetooth

Версия Bluetooth: V5.3

Работен обхват: приблизително 10 метра

Честота на трансмисия: 2,402~2,480GHz

Протоколи: 2DP/AVCTP/AVDTP/AVRCP/GAVDP/HFP/HID/OPP/RFCOMM/SPP

A2DP/AVRCP

(Забележка: спецификацията на продукта може да бъде променена без предизвестие).

Приложени аксесоари:

Дистанционно управление x 1 бр.

Батерии за дистанционно управление x 1 чифт

Инструкция за обслужване x 1 бр.

Гаранционна карта x 1 бр.

Аудио кабел (3,5 mm RCA стерео) x 1 бр.

Кабел за свързване на високоговорители: RCA към RCA с единичен конектор x 1 бр.

Захранващо устройство AC/DC x 1 бр.

ΣΗΜΑΝΤΙΚΕΣ ΠΛΗΡΟΦΟΡΙΕΣ ΣΧΕΤΙΚΑ ΜΕ ΤΗΝ ΑΣΦΑΛΕΙΑ

ΠΡΟΕΙΔΟΠΟΙΗΣΗ

**ΚΙΝΔΥΝΟΣ ΗΛΕΚΤΡΟΠΛΗΞΙΑΣ
ΜΗΝ ΑΝΟΙΓΕΤΕ**
Προειδοποίηση:

Για να μειώσετε τον κίνδυνο ηλεκτροπληξίας, δεν επιτρέπεται να αποσυναρμολογήσετε το κάλυμμα ούτε το οπίσθιο μέρος της συσκευής. Μέσα στη συσκευή δεν υπάρχουν εξαρτήματα προορισμένα για επισκευή από τον χρήστη. Η συντήρηση και η επισκευή του εξοπλισμού εκτελείται αποκλειστικά από τους εξουσιοδοτημένους υπάλληλους σέρβις.

Εξήγηση γραφικών συμβόλων


Το σύμβολο αστραπής με το βέλος στην άκρη της μέσα στο ισόπλευρο τρίγωνο προειδοποιεί τον χρήστη από μη μονωμένη, "επικίνδυνη ηλεκτρική τάση" στο περίβλημα της συσκευής που μπορεί να έχει την τιμή η οποία προκαλεί ηλεκτροπληξία.



Το σύμβολο θαυμαστικού στο ισόπλευρο τρίγωνο προειδοποιεί τον χρήστη ότι σε αυτό τον τόπο των τεκμηρίωσης που συνάπτεται στη συσκευή, παρουσιάζονται σημαντικές πληροφορίες σχετικά με τον χειρισμό και τη συντήρηση της συσκευής.

Παρακαλούμε να διαβάσετε αυτές τις οδηγίες χρήσης πριν αρχίσετε να χειρίζεστε τη συσκευή, για να γνωρίσετε τις λειτουργίες της και για τη χρησιμοποίησή της σύμφωνα με τον προορισμό της. Έτσι διασφαλίζετε τον διαρκή χειρισμό της συσκευής χωρίς βλάβες και απόλαυση από τη χρήση της συσκευής.

Σημαντικές πληροφορίες

- Πρέπει να κρατήσετε τις οδηγίες χρήσης και τις πληροφορίες σχετικά με την ασφάλεια με σκοπό τη μελλοντική χρήση τους.
- Μην επιτρέψετε κανένα υγρό να στάξει ή να χυθεί στη συσκευή.
- Δεν επιτρέπεται να χρησιμοποιήσετε τη συσκευή σε μέρη με υγρασία όπως π.χ. μπάνιο.
- Δεν επιτρέπεται να εγκαταστήσετε αυτή τη συσκευή στα ακόλουθα μέρη:
 - Μέρη εκτεθειμένα στην άμεση ακτινοβολία ή κοντά σε θερμάστρες.
 - Μην τοποθετείτε πάνω στη συσκευή άλλο εξοπλισμό στερεό που εκπέμπει θερμότητα.
- Όπου μπλοκάρεται ο εξαερισμός ή σε μέρος με σκόνη.
- Σε μέρη εκτεθειμένα σε συνεχείς δονήσεις.
- Σε μέρη με μεγάλη υγρασία.
- Δεν επιτρέπεται να τοποθετήσετε τη συσκευή δίπλα σε κερία και ανοιχτή φλόγα.
- Μπορείτε να χρησιμοποιήσετε τη συσκευή με τον τρόπο που περιγράφεται στις παρούσες οδηγίες χρήσης.
- Πριν από την πρώτη ενεργοποίηση, πρέπει να βεβαιωθείτε ότι το τροφοδοτικό είναι κατάλληλα συνδεδεμένο.
- Η μήνιμη USB συνδεδεμένη άμεσα ή με επέκταση USB μήκους έως 25 cm.

Για λόγους ασφαλείας δεν επιτρέπεται να αποσυναρμολογήσετε το περίβλημα ούτε να έχετε πρόσβαση στο μέσο της συσκευής. Η συσκευή πρέπει να επισκευαστεί από το εξειδικευμένο προσωπικό του σέρβις.

Δεν επιτρέπεται να ξεβιδώσετε τη συσκευή ούτε να ανοίξετε το περίβλημά της, γιατί μέσα δεν υπάρχουν εξαρτήματα που μπορεί να επισκευαστούν από τον χρήστη. Η συντήρηση και η επισκευή του εξοπλισμού εκτελείται αποκλειστικά από τους εξουσιοδοτημένους υπάλληλους σέρβις.

ΣΗΜΑΝΤΙΚΕΣ ΠΛΗΡΟΦΟΡΙΕΣ ΣΧΕΤΙΚΑ ΜΕ ΤΗΝ ΑΣΦΑΛΕΙΑ

1. Διαβάστε τις οδηγίες χρήσης – πριν χρησιμοποιήσετε τη συσκευή πρέπει να διαβάσετε όλες τις οδηγίες χρήσης και τις πληροφορίες για την ασφάλεια.
2. Φυλάξτε τις οδηγίες χρήσης – πρέπει να φυλάξετε τις οδηγίες χρήσης και χειρισμού με σκοπό να τις χρησιμοποιήσετε στο μέλλον.
3. κολουθήστε τις προειδοποιήσεις – πρέπει να ακολουθήσετε όλες τις προειδοποιήσεις που είναι τοποθετημένες πάνω στη συσκευή και να ακολουθήσετε τις οδηγίες χρήσης.
4. Ακολουθήστε τις οδηγίες χρήσης – πρέπει να ακολουθήσετε τις οδηγίες χρήσης και τις συμβουλές για τον χρήστη.
5. Εγκατάσταση – πρέπει να τοποθετήσετε τη συσκευή σύμφωνα με τις οδηγίες του κατασκευαστή.
6. Πηγή τροφοδοσίας – η συσκευή πρέπει να τροφοδοτηθεί αποκλειστικά από τις πηγές με τις παραμέτρους που αναφέρονται στις επισημανσεις του καλωδίου τροφοδοσίας. Αν ο χρήστης δεν είναι σίγουρος ποιαου τύπου τροφοδοσία έχει στο σπίτι του, πρέπει να επικοινωνήσει με τον πωλητή της συσκευής ή τον τοπικό προμηθευτή ηλεκτρικής ενέργειας.
7. Γείωση και πόλωση της συσκευής – η συσκευή πρέπει να έχει γείωση. Πρέπει να βεβαιωθείτε ότι το φως είναι τελικά τοποθετημένο στην πρίζα ηλεκτρικού δικτύου ή της επέκτασης, για να μην αφήσετε τους πείρους ή τους επαφές το φως χωρίς κάλυμμα. Κάποιες εκδόγές της συσκευής μπορεί να είναι εξοπλισμένες με πολωμένο φως εναλασσόμενο ρεύματος (με έναν πείρο πλατύτερο). Μπορείτε να βάλετε αυτό το φως στην πρίζα μόνο με έναν τρόπο. Αυτό είναι η λειτουργία προστασίας. Αν δεν μπορείτε να βάλετε το φως στην πρίζα, πρέπει να το περιστρέψετε. Αν το φως εξακολουθεί να μην ταιριάζει στην πρίζα, πρέπει να δώσετε εντολή στον ηλεκτρολόγο να αντικαταστήσει την πρίζα. Δεν επιτρέπεται να βγάλετε τα προστατευτικά του πολωμένου φως. Όταν χρησιμοποιείτε επέκταση ή καλώδιο τροφοδοσίας διαφορετικό από αυτό που παραδίδεται μαζί με τη συσκευή, αυτά πρέπει να έχουν κατάλληλα φως και το πιστοποιητικό ασφαλείας.
8. Προστασία του καλωδίου τροφοδοσίας – τα καλώδια τροφοδοσίας πρέπει να δρομολογούνται έτσι, ώστε να μην τα πατάτε, να μην τα πιέζετε και μην τα κόβετε με τοποθετημένα πάνω τους αντικείμενα. Δώστε ειδική σημασία στα φως, τις πρίζες ηλεκτρικού δικτύου και του τόπου όπου τα καλώδια είναι τοποθετημένα μέσα στη συσκευή.
9. Υπερφόρτωση – Δεν επιτρέπεται να υπερφορτώσετε τις ηλεκτρικές πρίζες τοίχου, τις επεκτάσεις και τους διαχωριστές, γιατί αυτό προκαλεί κίνδυνο πυρκαγιάς ή ηλεκτροπληξίας.
10. Εξαερισμός – η συσκευή πρέπει να έχει κατάλληλο εξαερισμό. Δεν επιτρέπεται να τοποθετήσετε τη συσκευή πάνω σε ένα κρεβάτι, έναν καναπέ ή σε παρόμοιες επιφάνειες. Δεν επιτρέπεται να καλύψετε τη συσκευή με τραπέζιματλητα, πετσέτες, εφημερίδες κλπ.

12. Νερό και υγρασία – για να μειώσετε τον κίνδυνο πυρκαγιάς ή ηλεκτροπληξίας, δεν επιτρέπεται να εκθέτετε τη συσκευή στην άμεση επίδραση βροχής, νερού και υγρασίας όπως π.χ. στη σάουνα ή το μπάνιο. Μην χρησιμοποιείτε την παρούσα συσκευή δίπλα σε νερό, π.χ. δίπλα σε μια μπανιέρα, νιπτήρα, νεροχύτη κουζίνας ή σκάφη, σε ένα υπόγειο με υγρασία ή δίπλα σε πισίνα (ή σε παρόμοιους τόπους).
13. Αντικείμενα και υγρά μέσα στη συσκευή – δεν επιτρέπεται να πιέσετε οποιοδήποτε αντικείμενο μέσα από τα ανοίγματα της συσκευής, γιατί αυτά μπορεί να έχουν επαφή με τα σημεία της επικίνδυνης ηλεκτρικής τάσης και τα υποστήματα και αυτό μπορεί να προκαλέσει πυρκαγιά. Σε καμία περίπτωση μη χύσετε οποιοδήποτε υγρό δίπλα στη συσκευή. Δεν επιτρέπεται να βάζετε πάνω στη συσκευή τα αντικείμενα που περιέχουν υγρά.
14. Καθαρισμός – πάντα πρέπει να αποσυνδέετε τη συσκευή από την πρίζα ηλεκτρικού δικτύου πριν από καθαρισμό. Η σκόνη γύρω από το ηχείο μπορεί να αφαιρεθεί με ένα ύφασμα. Αν χρησιμοποιήσετε ένα αερόβλυστο για καθαρισμό, μην κατευθύνετε τη ροή ψεκασμού άμεσα στη συσκευή, αλλά σε ένα πανί. Πρέπει να προσέχετε να μη χαλάσετε τις μονάδες μετάδοσης κίνησης.
15. Πρόσθετος εξοπλισμός – μη χρησιμοποιήσετε αξεσουάρ που δεν επιτρέπονται από τον κατασκευαστή, γιατί αυτά μπορούν να προκαλέσουν κίνδυνο.
16. Αξεσουάρ – μην τοποθετείτε τη συσκευή σε ασταθές καροτσάκι, υποστήριγμα, τρίποδο, βάση ή τραπέζι. Η συσκευή μπορεί να ανατραπεί και να χαλάσει καθώς και να προκαλέσει σοβαρά τραύματα σε παιδιά και σε ηλικιωμένα πρόσωπα. Πρέπει να χρησιμοποιήσετε αποκλειστικά καροτσάκια, υποστήριγμα, τρίποδα, βάσεις ή τραπέζια που ορίζονται από τον κατασκευαστή ή που πωλούνται μαζί με τη συσκευή. Εκτελέστε τη συναρμολόγηση της συσκευής σύμφωνα με τις οδηγίες του κατασκευαστή ή χρήση του σετ συναρμολόγησης που προτείνεται από τον κατασκευαστή.
17. Μεταφορά της συσκευής – πρέπει να μεταφέρετε τη συσκευή τοποθετημένη σε καροτσάκι πολύ προσεκτικά. Ξαφνικό σταμάτημα, υπερβολική δύναμη ή ανώμαλες επιφάνειες μπορεί να προκαλέσουν ανατροπή στο καροτσάκι μαζί με τη συσκευή.
18. Περίοδος όταν η συσκευή δεν χρησιμοποιείται – πρέπει να αποσυνδέσετε το καλώδιο τροφοδοσίας από την πρίζα ηλεκτρικού δικτύου κατά τις καταιγίδες με κεραυνούς ή όταν δεν χρησιμοποιείτε τη συσκευή πολλή ώρα.
19. Σέρβις – μην δοκιμάσετε να εκτελέσετε επιθεωρήσεις της συσκευής μόνοι σας. Το να ανοίξετε το κάλυμμα μπορεί να προκαλέσει επαφή με επικίνδυνη ηλεκτρική τάση και να εκτεθεί ο χρήστης σε άλλους κινδύνους. Η συντήρηση και η επισκευή του εξοπλισμού εκτελείται αποκλειστικά από τους εξουσιοδοτημένους υπάλληλους σέρβις.
20. Όταν δεν χρησιμοποιείτε τη συσκευή, πρέπει να αποσυνδέσετε το φως της από την πρίζα ηλεκτρικού δικτύου. Όταν η συσκευή είναι συνδεδεμένη στην πηγή ηλεκτρικής ενέργειας, είναι στον τρόπο λειτουργίας αναμονής ή δεν είναι απολύτως απενεργοποιημένη.
21. Ανταλλακτικά – όταν αντικαθιστάτε εξαρτήματα πρέπει να ελέγχετε αν ο υπάλληλος του σέρβις έχει χρησιμοποιήσει τα ανταλλακτικά που προτείνονται από τον κατασκευαστή ή τα εξαρτήματα είναι ίδια όπως τα γνήσια εξαρτήματα. Η αντικατάσταση εξαρτημάτων με μην εγκεκριμένα προκαλεί κίνδυνο πυρκαγιάς, ηλεκτροπληξίας και άλλους κινδύνους.
22. Κύριες ηλεκτρικές ασφάλειες – για να προστατέψετε με συνεχή τρόπο τη συσκευή από πιθανή πυρκαγιά, πρέπει να χρησιμοποιήσετε τις ασφάλειες κατάλληλου τύπου και παραμέτρων. Οι παράμετροι των ασφαλειών του ορισμένου φάσματος της ηλεκτρικής τάσης επισημαίνονται πάνω στη συσκευή.
23. Δεν επιτρέπεται να αυξήσετε την ένταση ήχου όταν ακούτε ένα κομμάτι το οποίο έχει χαμηλή ένταση ήχου ή όταν δεν υπάρχει σήμα ήχου εισόδου. Σε αντίθετη περίπτωση, ενδέχεται να χαλάσετε το ηχείο με την ξαφνική αύξηση της έντασης του σήματος.
24. Η μοναδική λύση να αποσυνδέσετε πλήρως τη συσκευή από την πηγή ηλεκτρικής ενέργειας είναι η αποσύνδεση του καλωδίου τροφοδοσίας από την πρίζα ηλεκτρικής ενέργειας ή από τη συσκευή. Η πρίζα ηλεκτρικού δικτύου ή η υποδοχή του καλωδίου τροφοδοσίας στη συσκευή πάντα πρέπει να είναι διαθίσιμες κατά τη χρήση της συσκευής.
25. Η συσκευή πρέπει να τοποθετηθεί δίπλα σε πρίζα ηλεκτρικού δικτύου ή επέκταση έτσι ώστε να είναι πάντα διαθέσιμες.
26. Η μέγιστη θερμοκρασία περιβάλλοντος πρέπει είναι 35°C.
27. Οδηγίες σχετικά με τις ηλεκτροστατικές εκκινήσεις – αν η λειτουργία της συσκευής διαταράσσεται με τις ηλεκτροστατικές εκκινήσεις, πρέπει να την απενεργοποιήσετε και να την ενεργοποιήσετε ξανά ή να μεταφέρετε τη συσκευή σε άλλο τόπο.
28. Μπαταρία
- Δεν επιτρέπεται να εκθέτετε τις μπαταρίες στη δράση υπερβολικής ζέστης όπως π.χ. ηλιακή ακτινοβολία.
 - Κατά τη διάθεση των μπαταριών, πρέπει να δώσετε σημασία στις παραμέτρους της προστασίας του περιβάλλοντος.
 - Προειδοποίηση σχετικά με χρήση των μπαταριών: για να μην επιτρέψετε απροσφράγιστη των μπαταριών που μπορεί να προκαλέσει τραύματα ή να χαλάσει τη συσκευή:
 - Όταν βάζετε τη μπαταρία δώστε σημασία στην πόλωση της (+ και -).
 - Δεν επιτρέπεται να χρησιμοποιήσετε ταυτόχρονα διαφορετικές μπαταρίες - καινούργιες και μεταχειρισμένες, τις μπαταρίες στάνταρ και αλκαλικές κλπ.
 - Πρέπει να βγάλετε τις μπαταρίες από τη συσκευή δεν τη χρησιμοποιείτε πολλή ώρα.

ΠΡΟΕΙΔΟΠΟΙΗΣΗ

Η συσκευή δεν επιτρέπεται να χρησιμοποιηθεί από πρόσωπα (συμπεριλαμβανόμενων των παιδιών) με μειωμένη φυσική και αισθητηριακή ικανότητα και τα πρόσωπα με ανεπαρκή γνώση και εμπειρία, αν δεν είναι υπό την εποπτεία του προσώπου που είναι υποχρεωμένο για την ασφάλειά τους και δεν έχουν εκπαιδευθεί πως να χρησιμοποιούν τη συσκευή με ασφαλή τρόπο. Η παρουσία των ενηλίκων απαιτείται όταν τα παιδιά χειρίζονται τη συσκευή· έτσι θα διασφαλιστεί την ασφαλή χρήση της συσκευής.

- Δεν επιτρέπεται να αφήνετε τη συσκευή όταν λειτουργεί χωρίς καμία εποπτεία! Πρέπει να απενεργοποιείτε τη συσκευή όταν δεν τη χρησιμοποιείτε, ακόμη για ένα σύντομο διάστημα.
- Δεν επιτρέπεται να μεταχειρίζεστε τη συσκευή μέσα από ένα εξωτερικό ρολόι με χρονικό σύστημα ούτε με ξεχωριστό σύστημα τηλεχειρισμού.
- Για να αποφύγετε κίνδυνο σε περίπτωση βλάβης του καλωδίου τροφοδοσίας, η αντικατάστασή του πρέπει να εκτελείτε από τον κατασκευαστή, την εξουσιοδοτημένη υπηρεσία σέρβις ή άλλο πρόσωπο που διαθέτει τα κατάλληλα προσόντα.
- Πριν αρχίσετε να χειρίζεστε τη συσκευή, πρέπει να ελέγξετε αν η τάση της είναι συμβατή με την τάση του τοπικού ηλεκτρικού δικτύου.
- Δεν επιτρέπεται να καλύψετε τα ανοίγματα εξαερισμού π.χ. με εφημερίδες, τραπέζομάντηλα, κουρτίνες κλπ.. Πρέπει να βεβαιωθείτε ότι πάνω από τη συσκευή υπάρχει ένας ελεύθερος χώρος τουλάχιστον 20 cm και από κάθε πλευρά της - τουλάχιστον 5 cm.
- Δεν επιτρέπεται να στάζει ή να χυθεί κανένα υγρό στη συσκευή και δεν επιτρέπεται να βάζετε πάνω στη συσκευή κανένα αντικείμενο γεμάτο με υγρό όπως π.χ. ένα βάζο.
- Για να αποφύγετε πυρκαγιά ή ηλεκτροπληξία, πρέπει να προστατεύετε τη συσκευή από ζεστούς τόπους, τη δράση της βροχής, της υγρασίας και της σκόνης.
- Δεν επιτρέπεται να τοποθετείτε τη συσκευή κοντά σε οποιαδήποτε πηγή νερού όπως π.χ. βρύσες, μπανιέρες, πλυντήρια ή πισίνες κολύμβησης. Η συσκευή πρέπει να τοποθετηθεί σε μια ίσια και σταθερή βάση.

9. Δεν επιτρέπεται να εκθέτετε τη συσκευή σε ισχυρό μαγνητικό πεδίο.
10. Δεν επιτρέπεται να βάζετε τη συσκευή αμέσως στον ενισχυτή, δέκτη ή διακόπτη.
11. Δεν επιτρέπεται να βάζετε τη συσκευή σε ένα μέρος με υγρασία, γιατί η υγρασία έχει αρνητική επίδραση στα ηλεκτρικά συστήματα.
12. Μετά από μεταφορά της συσκευής από κρύο σε ζεστό τόπο ή σε τόπο με υγρασία, μπορεί να προκληθεί υγρασία της υγρασίας πάνω στον φακό μέσα στη συσκευή αναπαραγωγής. Σε μια τέτοια περίπτωση η συσκευή δεν θα λειτουργήσει σωστά. Πρέπει να αφήσετε τη συσκευή απενεργοποιημένη για περίπου μια ώρα, για να επιτρέψετε την εξάτμιση της υγρασίας.
13. Δεν επιτρέπεται να καθαρίζετε τη συσκευή με χημικούς διαλύτες, γιατί μπορεί να χαλάσουν το βερνίκι του περιβλήματος. Σκουπίστε τη συσκευή με ένα καθαρό, στεγνό ή λίγο μωσκεμένο πανί.
14. Όταν βγάξετε το φως από την πρίζα τοίχου, πάντα πρέπει να τραβάτε το φως και όχι το καλώδιο.
15. Όταν η ενεργοποιημένη συσκευή χρησιμοποιείται δίπλα σε ενεργοποιημένη τηλεόραση, μπορεί να είναι πηγή διαταραχών όρασης με τη μορφή γραμμών στην οθόνη. Αυτό εξαρτάται από τη ζώνη κυμάτων μετάδοσης της TV. Αυτό δεν σημαίνει ότι η συσκευή ή η τηλεόραση δεν λειτουργούν κατάλληλα. Αν αυτές γραμμές είναι ορατές, πρέπει να απομακρύνετε τη συσκευή από την τηλεόραση.
16. Το φως ηλεκτρικού δικτύου χρησιμοποιείται για αποσύνδεση της ηλεκτρική τάσης τροφοδοσίας και πάντα πρέπει να είναι διαθέσιμο.
17. Για να μην επιτρέψετε πιθανή απώλεια ακοής, δεν επιτρέπεται να ακούτε μουσική πολύ δυνατά για πολλή ώρα.



ΠΡΟΣΟΧΗ



Δήλωση

Δια του παρόντος η εταιρεία Blaupunkt Competence Center 2N-Everpol Sp. z o.o. δηλώνει ότι η παρούσα συσκευή είναι συμβατή με τις προϋποθέσεις και τις λοιπές σχετικές προβλέψεις της οδηγίας 2014/53 / ΕΕ. Μπορείτε να λάβετε την πλήρη δήλωση συμβατότητας από την ιστοσελίδα www.blaupunkt.com στην καρτέλα του προϊόντος.

Κάτοχος άδειας κυκλοφορίας: 2N-Everpol Sp. z o.o.
Puławska 403A, 02-801 Warszawa, Πολωνία
Τηλέφωνο: +48 22 688 08 00., e-mail: info@everpol.pl



Το προϊόν κατασκευάστηκε από υλικά υψηλής ποιότητας και τα συστήματα, τα οποία μπορούν να ανακυκλωθούν και να χρησιμοποιηθούν ξανά.



Εάν υπάρχει σύμβολο διαγραμμένου κάδου απορριμμάτων στη συσκευή σας, σημαίνει ότι το προϊόν καλύπτεται από τις διατάξεις της Ευρωπαϊκής Οδηγίας 2012/19/ΕΕ. Με βάση αυτό, ακολουθήστε τους τοπικούς κανονισμούς και εξοικειωθείτε με τις απαιτήσεις για το τοπικό ηλεκτρικό και ηλεκτρονικό σύστημα συλλογής απορριμμάτων και, στην περίπτωση αυτού του προϊόντος, συμμορφωθείτε με αυτές.

ΜΗΝ ΑΠΟΡΡΙΠΤΕ ΑΥΤΟ ΤΟ ΠΡΟΪΟΝ ΜΕ ΤΑ ΟΙΚΙΑΚΙΑ ΣΑΣ ΑΠΟΒΛΗΤΑ!
ΑΥΤΟ ΤΟ ΠΡΟΪΟΝ ΠΕΡΙΧΕΙ ΕΠΙΚΙΝΔΥΝΕΣ ΟΥΣΙΕΣ, ΜΙΓΜΑΤΑ ΚΑΙ ΣΥΣΤΑΤΙΚΑ ΤΑ ΟΠΟΙΑ, ΕΑΝ ΜΗ ΕΓΚΕΚΡΙΜΕΝΟ, ΜΠΟΡΕΙ ΝΑ ΕΙΝΑΙ ΠΗΓΗ ΠΙΘΑΝΩΝ ΕΠΙΔΡΑΣΕΩΝ ΣΤΟ ΦΥΣΙΚΟ ΠΕΡΙΒΑΛΛΟΝ ΚΑΙ ΣΤΗΝ ΥΓΕΙΑ ΤΟΥ ΑΝΘΡΩΠΟΥ!
Η σωστή απόρριψη του χρησιμοποιούμενου προϊόντος θα αποτρέψει αρνητικές επιπτώσεις στο περιβάλλον και την ανθρώπινη υγεία.



Η συσκευή είναι εξοπλισμένη με μπαταρίες οι οποίες ορίζονται με την ευρωπαϊκή οδηγία 2006/66/ΕΚ. Δεν επιτρέπεται να απορριπτε τις μπαταρίες μαζί με τα οικιακά απορρίμματα. Πρέπει να εξοικειωθείτε με τους τοπικούς κανονισμούς για την ξεχωριστή συγκέντρωση των μπαταριών, διότι η κατάλληλη διάθεση προστατεύει από πιθανά αρνητικά αποτελέσματα της για το φυσικό περιβάλλον και την ανθρώπινη ζωή.

Πληροφορίες για την προστασία του περιβάλλοντος

Η συσκευασία περιέχει μόνο τα απαραίτητα στοιχεία. Έχει καταβληθεί κάθε δυνατή προσπάθεια ώστε τα τρία συστατικά της συσκευασίας να διαχωριστούν εύκολα: χαρτί (κουτί), αφρός πολυστερίνης (προστατευτικά μέσα στη συσκευασία) και πολυαιθλένιο (σακούλες, προστατευτικό φύλλο). Η συσκευή κατασκευάστηκε από υλικά τα οποία μπορούν να ανακυκλωθούν και να χρησιμοποιηθούν ξανά μετά την αποσυρμολόγησή τους. Πρέπει να ακολουθήσετε τους τοπικούς κανονισμούς σχετικά με τη διάθεση των υλικών συσκευασίας, των μεταχειρισμένων μπαταριών και των περιττών συσκευών.

Η εγγραφή και αναπαραγωγή υλικού μπορεί να απαιτήσει σχετική άδεια. Βλέπε το περι-πνευματικών δικαιωμάτων και των δικαιωμάτων/δημιουργιών/καλλιτεχνών νόμο.

Παράρτηση σχετικά με τις ERP2 (Συσκευές σχετικά με την ενέργεια)

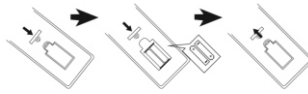
Η παρούσα συσκευή είναι οικολογικού σχεδιασμού και πληροί τις απαιτήσεις της φάσης 2 του Κανονισμού (ΕΚ) αριθ. 1275/2008 της Επιτροπής περί εφαρμογής της οδηγίας 2009/125/ΕΚ σχετικά με την κατανάλωση ενέργειας σε κατάσταση απενεργοποίησης και αναμονής του ηλεκτρικού και ηλεκτρονικού εξοπλισμού γραφείου και οικιακού εξοπλισμού.



Ο κάτοχος των εμπορικών σημάτων και του λογότυπου Bluetooth® είναι η εταιρεία Bluetooth SIG, Inc. USA. Η εκμετάλλευση αυτών των σημάτων και του λογότυπου καλύπτεται από την άδεια χρήσεως. Άλλα σήματα και εμπορικές ονομασίες αποτελούν κυριότητα σχετικών ιδιοκτητών.

Εγκατάσταση μπαταριών στο τηλεχειριστήριο

Ανοίξτε το καπάκι της θήκης και τοποθετήστε 2 μπαταρίες AAA (περιέχονται) στη θήκη. βεβαιωθείτε ότι η πολικότητα της μπαταρίας ταιριάζει με το θετικό και το αρνητικό σύμβολο που είναι τυπωμένο στη θήκη. Στη συνέχεια, κλείστε τη θήκη μπαταριών.

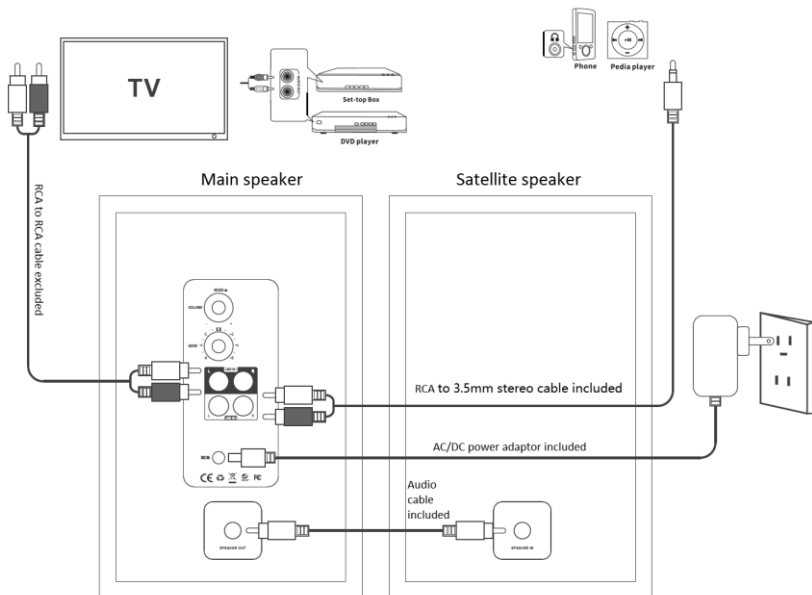


Σημειώσεις:

- Η καλύτερη απόσταση λειτουργίας του τηλεχειριστηρίου είναι 5 μέτρα, χωρίς εμπόδια μεταξύ του τηλεχειριστηρίου και της ηχητικής μπάρας. Όταν χρησιμοποιείτε το τηλεχειριστήριο, στρέψτε το στον αισθητήρα τηλεχειριστηρίου στο μπροστινό μέρος του soundbar.
- Η ευαισθησία του τηλεχειριστηρίου θα μειωθεί κατά την εκφόρτιση των μπαταριών. Στη συνέχεια, θα πρέπει να αντικατασταθούν από νέες.
- Αφαιρέστε τις μπαταρίες εάν το τηλεχειριστήριο δεν έχει χρησιμοποιηθεί για μεγάλο χρονικό διάστημα.
- Η μπαταρία πρέπει να απορρίπτεται με περιβαλλοντικά ασφαλές τρόπο. Ανατρέξτε στις απαιτήσεις των τοπικών αρχών για λεπτομέρειες.

Σύνδεση του κύριου και δορυφορικού ηχείου: Πριν ενεργοποιήσετε τα ηχεία, συνδέστε τα πρώτα μεταξύ τους χρησιμοποιώντας το παρεχόμενο καλώδιο ήχου RCA σε RCA (μόνο βύσμα). Συνδέστε το ένα βύσμα του καλωδίου στην υποδοχή του κύριου ηχείου και το άλλο βύσμα στην υποδοχή του δορυφορικού ηχείου.

Σύνδεση στην παροχή ρεύματος: Συνδέστε τον μετασχηματιστή AC/DC σε μια οικιακή πρίζα εναλλασόμενου ρεύματος για να αποκτήσετε μια πηγή ρεύματος και, στη συνέχεια, συνδέστε το βύσμα DC του μετασχηματιστή στην υποδοχή τροφοδοσίας στο πίσω πλαίσιο του κύριου ηχείου. Στη συνέχεια, το ηχείο θα εισέλθει σε κατάσταση αναμονής και θα είναι έτοιμο για χρήση. Ένα σύντομο πάτημα του κουμπιού λειτουργίας στην πίσω πλευρά του κεντρικού ηχείου ή στο τηλεχειριστήριο μπορεί να ενεργοποιήσει τα ηχεία. Ένα παρατεταμένο πάτημα (3 δευτερόλεπτα) του κουμπιού λειτουργίας στην πίσω πλευρά ή ένα σύντομο πάτημα του κουμπιού λειτουργίας στο τηλεχειριστήριο μπορεί να θέσει τα απενεργοποιηθεί τη λειτουργία αναμονής αναμονής.



Αυτό το μοντέλο συνδέεται με εξωτερικές συσκευές όπως τηλεόραση, αποκωδικοποιητή τηλεόρασης, συσκευή αναπαραγωγής DVD, συσκευή αναπαραγωγής Blu-ray DVD, συσκευή αναπαραγωγής MP3 κ.λπ.

Το ηχείο διαθέτει 2 αναλογικές εισόδους RCA (γραμμική είσοδος) για διάφορες πηγές. Ελέγξτε την παραπάνω εικόνα για να δείτε πώς μπορείτε να συνδέσετε εξωτερικές συσκευές σε αυτό το μοντέλο. Περιλαμβάνεται ένα στερεοφωνικό καλώδιο RCA-minijack 3,5 mm.

Λειτουργία Bluetooth

Αυτό το προϊόν περιλαμβάνει λειτουργία Bluetooth, η οποία επιτρέπει την ασύρματη αναπαραγωγή μουσικής από άλλες συσκευές Bluetooth (π.χ. smartphones, tablet, τηλεοράσεις κ.λπ.).

1. Ενεργοποιήστε τη συσκευή, πατήστε το κουμπί επιλογής λειτουργίας στον πίσω πίνακα ή το κουμπί Bluetooth στο τηλεχειριστήριο για να εισέλθετε στη λειτουργία Bluetooth. Η μπλε ενδεικτική λυχνία LED θα αναβοσβήνει στο παράθυρο LED, υποδεικνύοντας ότι η συσκευή είναι έτοιμη για αντιστοίχιση.
2. Ενεργοποιήστε τη λειτουργία Bluetooth στην εξωτερική συσκευή (π.χ. smartphone) και αναζητήστε τις διαθέσιμες συσκευές για αντιστοίχιση (ανατρέξτε στις οδηγίες χρήσης της εξωτερικής συσκευής) και, στη συνέχεια, ελέγξτε τις διαθέσιμες συσκευές Bluetooth στη λίστα. Επιλέξτε το «BS40» για αντιστοίχιση και η μπλε ενδεικτική λυχνία LED σε αυτό το μοντέλο θα ανάψει σταθερά μετά την επιτυχή αντιστοίχιση.
3. Επιλέξτε και αναπαράγετε μουσική από τη συσκευή Bluetooth, ρυθμίστε την ένταση του ήχου ανάλογα και ο ήχος θα αρχίσει να αναπαράγεται μέσω αυτού του μοντέλου.
4. Στη λειτουργία Bluetooth, μπορείτε να εκτελέσετε λειτουργίες όπως: επιλογή του προηγούμενου/επόμενου κομματιού, αναπαραγωγή/παύση, σίγαση κ.λπ. πατώντας το κατάλληλο κουμπί στο τηλεχειριστήριο.

Σημειώσεις:

α. Δεν είναι εγγυημένο ότι όλες οι συσκευές Bluetooth θα συνδεθούν σωστά λόγω διαφορετικών σχεδίων και εμπορικών σημάτων.

β. Η καλύτερη απόσταση εργασίας για Bluetooth είναι 10 μέτρα χωρίς εμπόδια μεταξύ συσκευών.

γ. Η συσκευή μπορεί να συνδεθεί και να λειτουργήσει μόνο με μία συσκευή Bluetooth κάθε φορά.

δ. Στη περίπτωση εισερχόμενης κλήσης κατά την αναπαραγωγή Bluetooth, η μουσική θα διακοπεί προσωρινά και η αναπαραγωγή θα συνεχιστεί μετά την ολοκλήρωση της τηλεφωνικής κλήσης.

Σύνδεση Bluetooth στην τηλεόραση: Εάν η τηλεόραση διαθέτει δυνατότητα Bluetooth, αυτό το μοντέλο μπορεί να αναπαράγει ήχο ασύρματα από την τηλεόραση. Ενεργοποιήστε τη λειτουργία Bluetooth στις ρυθμίσεις της τηλεόρασης και αναζητήστε μια συσκευή με όνομα «BP BS40» για να συνδεθείτε. Ανατρέξτε στις οδηγίες χρήσης της τηλεόρασής σας για λεπτομέρειες.

Αντιμέτωπη προβλημάτων

1. Το ηχείο δεν μπορεί να ενεργοποιηθεί.

α. Ελέγξτε εάν η σύνδεση παροχής ρεύματος είναι σωστή.

2. Δεν υπάρχει ήχος.

α. Δοκιμάστε να ρυθμίσετε το επίπεδο έντασης ήχου, ελέγξτε το κουμπί σίγασης και την πηγή αναπαραγωγής.

β. Επικοινωνήστε με το κέντρο σέρβις για βοήθεια εάν το πρόβλημα παραμένει.

3. Παραμόρφωση ήχου.

α. Προσπαθήστε να παίξετε μουσική σε χαμηλότερο επίπεδο έντασης.

β. Ελέγξτε την κατάσταση ρύθμισης σοπράνων/μπάσων.

γ. Δοκιμάστε να μειώσετε την ένταση σε μια εξωτερική συσκευή, όπως μια τηλεόραση κ.λπ.

4. Διαλείπων ήχος στη λειτουργία Bluetooth.

α. β. Δοκιμάστε να τοποθετήσετε τη συσκευή Bluetooth πιο κοντά στο ηχείο.

Προδιαγραφές

Γενικά

Τροφοδοσία: DC IN 19V/1,65A

Κατανάλωση ισχύος (σε κατάσταση ON): xxx W σε κατάσταση λειτουργίας

Κατανάλωση ισχύος σε κατάσταση αναμονής: < 0,5 W

Ισχύς εξόδου RMS: 2 x 20W

Συνολική αρμονική παραμόρφωση: <1% (1 kHz, 1 W)

Ευαισθησία εισόδου ήχου: LINE IN 1: 550 MV, LINE IN 2: 750 MV

Εύρος ζώνης: 45 Hz – 20 KHz; S/R:>= 80 dB

Υποστήριξη μουσικής USB: MP3/WAV/WMA (η αναπαραγωγή όλων των αρχείων δεν είναι εγγυημένη)

Μέγιστη χωρητικότητα μνήμης USB: 32 GB

Διαστάσεις συσκευής: 155 x 248 x 175 mm (πλάτος x ύψος x βάρος)

Είσοδοι: 2 x γραμμικός είσοδος RCA

Ηχεία (μέγεθος/αντίσταση)

Τουίτερ: 1,25"/4 Ω

Αντίσταση γούφερ: 4"/4 Ω

Bluetooth

Έκδοση Bluetooth: V5.3

Εμβέλεια λειτουργίας: περίπου 10 μέτρα

Συχνότητα μετάδοσης: 2.402~2.480GHz

Πρωτόκολλα: 2DP/AVCTP/AVDTP/AVRCP/GAVDP/HFP/HID/OPP/RFCOMM/SP

A2DP/AVRCP

(Παρατηρήσεις: οι προδιαγραφές του προϊόντος υπόκεινται σε αλλαγές χωρίς προειδοποίηση.)

Περιλαμβάνονται αξεσουάρ:

Τηλεχειριστήριο x 1 τεμ.

Μπαταρία τηλεχειριστηρίου x 1 ζεύγος

Οδηγίες χρήσης x 1 τεμ.

Κάρτα εγγύησης x 1 τεμ.

Καλώδιο ήχου (στερεοφωνικό RCA 3,5 mm) x 1 τεμ.

Καλώδιο για τη σύνδεση των ηχείων: RCA σε RCA με μονό βύσμα x 1 τεμ.

Προσαρμογείς AC/DC x 1 τεμ.

HOIATUS**HOIATUS**ELEKTRILÖÖGIOHT
MITTE AVADA**Hoiatus:**

Elektrilöögi ohu vähendamiseks ei tohi seadme katet ega tagumist osa lahti monteerida. Seadmes ei ole kasutajapoolseks iseseisvaks parandamiseks ette nähtud elemente. Seadme hoolduse ja parandamisega tegelevad ainult teeninduse kvalifitseeritud töötajad.

Graafiliste sümbolite selgitus:

Välgunoole sümbol võrdkõlguses kolmnurgas hoiatab kasutajat seadme sees esinevast isoleerimata „ohtlikust pingest“, mis võib saavutada elektrilöögi ohuga ähvardava tugevuse.



Hüüumärk võrdkõlguses kolmnurgas hoiatab kasutajat sellest, et antud hetkel edastatakse seadmega kaasas olevas dokumendis seadme teenindust ja hooldust käsitlevat olulist teavet.

Enne seadme teenindamise alustamist palume käesolev juhend, selle funktsioonidega tutvumiseks ja sihtotstarbeliseks kasutamiseks, läbi lugeda. See tagab seadme kauakestva, riketeta teeninduse ja kasutusrõõmu.

Oluline informatsioon.

- Teenindusjuhend ja ohutust käsitlev teave tuleb edaspidiseks kasutuseks säilitada.
- Ei tohi lasta tekkida olukorral, kui seadmele või selle sisemusse tilgub vesi.
- Samuti ei tohi seadet kasutada niisketes kohtades, nagu nt vannituba.
- Antud seadet ei tohi paigaldada järgnevasse kohtadesse:
- Mis on avatud päikesekiirguse vahetule toimele või radiaatorite lähedusse.
- Asetada muu, soojust eraldava, stereofoonilise varustuse peale.
- Blokeerides ventilatsiooni või tolmusesse kohta.
- Pidevale vibratsioonile allutatud kohtadesse.
- Kõrge niiskustasemega kohtadesse.
- Seadet ei tohi asetada küünalde või avatud tule lähedusse.
- Seadet võib kasutada ainult käesolevas juhendis kirjeldatud viisil.
- Enne toite esimest sisselülitamist tuleb veenduda, et toide oleks õigesti ühendatud.
- USB mälu ühendatakse vahetult või kuni 25 cm pikkuse USB pikendusjuhtmega.

Ohutuse seisukohalt ei tohi korpuseid lahti võtta ega üritada seadme sisemuses tungida. Seadet võivad parandada ainult teeninduse kvalifitseeritud töötajad.

Seadet ei tohi lahti keerata ega selle korpusi avada, sest selles ei ole kasutaja poolt parandatavaid osi. Seadme hoolduse ja parandamisega tegelevad ainult teeninduse kvalifitseeritud töötajad.

OHUTUST KÄSITLEV OLULINE TEAVE

1. Luge da juhend läbi – enne seadme kasutamist alustamist tuleb kogu teenindusjuhend ja ohutust käsitlev teave läbi lugeda.
2. Säilitada juhend – kasutus- ja teenindusjuhend tuleb edaspidiseks kasutuseks säilitada.
3. Järgida hoiatusi – toimida kooskõlas kõikide seadmel paiknevate hoiatuste ja teenindusjuhendiga.
4. Järgida juhiseid – toimida kooskõlas teenindusjuhendi ja kasutajale mõeldud juhistega.
5. Paigaldadus – paigaldada seade kooskõlas tootja juhistega.
6. Toiteallikad – seadme toiteks peab kasutama ainult toitekaabli märgistustel antud parameetritega allikaid. Juhul kui kasutaja ei ole kindel kodus oleva toite liigis, peab ta ühendust võtma seadme müüja või kohaliku elektrienergia tarnijaga.
7. Toite maandus ja polaarsus – seade ei pea olema maandatud. Vältimaks tihvtide või klemmide paljastumist veenduda, et pistik oleks võrgupesusa või pikendusse sisestatud lõpuni. Mõned seadme versioonid võivad olla varustatud vahelduvvoolu polaarsete pistikutega (üks tihvt laiem). Selliseid pistikuid võib sisestada võrgupesassa ainult ühel viisil. See on kaitsesfunktsioon. Kui pistikut ei saa pesa sisestada tuleb proovida seda pöörata. Kui pistik ei sobi ka siis pesaga tuleb elektrikut tellida selle väljavahetamine. Polaarset pistikut ei tohi kaitseid eemaldada. Kasutades muud pikendusjuhet või toitekaablit, kui seadmega koos tarnitavat, peavad neil olema asjakohased pistikud ja antud riigis nõutav ohutustunnistus.
8. Toitekaabli kaitse – toitekaabel tuleb vedada nii, et selle peal ei oleks võimalik kõndida, seda suruda või asetatud esemetega vigastada. Pöörata erilist tähelepanu pistikutele, võrgupesadele ja kohtadele, kus kaabel läbi veetakse.
9. Ülekoormamine – seinakontakte, pikendusjuhtmeid ja vargapesasid ei tohi üle koormata, sest see ohustab tulekahju puhkemise või elektrilöögiaga.
10. Ventilatsioon – seadet tuleb korralikult ventileerida. Seadet ei tohi asetada voodile, diivanile või muudele sarnastele pindadele. Seadet ei tohi katta laualinade, salvrätikute, ajalehtede jms.
11. Soojus – mitte asetada seadet soojusallikate, nagu radiaatorid, kiirgurid, ahjud või muud soojust eritavad seadmed (ka võimendid), lähedale. Mitte asetada seadmele põlevaid küünlaid ja muid avatud tule allikaid.
12. Vesi ja niiskus – tulekahju või elektrilöögi ohu vähendamiseks ei tohi seadet vihma, vee ja niiskuse vahetule toimele, nagu nt saunas või vannitoas, allutada. Mitte kasutada käesolevat seadet vee, näiteks vanni, kraanikausi, köögivalamu või pesupali, läheduses, niiskes keldris või basseini juures (või sarnastes kohtades).
13. Esemed ja vedelikud seadmes – läbi seadme avade ei tohi sisse suruda mingeid esemeid, sest need võivad kokku puutuda ohtliku pinge punktidega, mis omakorda võib põhjustada tulekahju või elektrilöögi. Mitte mingil juhul ei tohi seadme pindadele mingeid vedelikke kallata. Seadmele ei tohi asetada vedelikke sisaldavaid esemeid.
14. Puhastamine – enne puhastamist tuleb seade alati võrgupesast lahti ühendada. Kõlari ümbrusest võib tolm eemaldada kuiva lapiga. Kasutades puhastamiseks aerosooli ei tohi pirtsimisvoogu suunata vahetult seadmele vaid lapile. Tuleb jälgida, et ajamüüksused kahjustusi ei saaks.
15. Täiendav varustus – keelatud on kasutada tarvikuid, mis ei ole tootja poolt lubatud, sest võivad osutada ohuallikateks.

16. Tarvikud – seadet ei tohi asetada ebastabiilsele kärule, alusraamile, statiivile, tugialusele või lauale. Seade võib ümber kukkuda ja saada kahjustusi ning vigastada tõsiselt last või täiskasvanut. Kasutada ainult tootja poolt määratud või koos seadmega müüdavaid kärusid, alusraame, statiive, tugialuseid või laudu. Seadme paigaldust tuleb teostada kooskõlas tootja juhistega, kasutades tootja poolt soovitatud paigalduskomplekti.
17. Seadme teisaldamine – kärule paigutatud seadet tuleb sõidutada väga ettevaatlikult. Äkiline pidurdamine, ülemäärane jõud või ebatasane pind võivad põhjustada käruga ja seadme ümberminekku.
18. Seadme mittekasutamise periood – toitekaabel tuleb äikesetormide ajal või kui seadet pikema aja jooksul ei kasutata võrgupesast lahti ühendada.
19. Teenindus – keelatud on seadme ülevaltust omakäeliselt läbi viia. Avatud katted võivad põhjustada kokkupuudet ohtliku pingega ja osutada ohtlikuks. Seadme hoolduse ja parandamisega tegelevad ainult teeninduse kvalifitseeritud töötajad.
20. Kui seadet ei kasutata, tuleb selle pistik võrgupesast lahti ühendada. Toiteallikaga ühendatuna on seade ooterežiimis ja ei ole täielikult välja lülitatud.
21. Varuosad – osade väljavahetamisel tuleb kontrollida kas teeninduse töötaja on kasutanud tootja poolt soovitatud varuosid või kas osad on originaalosadega identsed. Väljavahetamine kinnitamata osade vastu ohustab tulekahju puhkemise, elektrilöögi ja muude turvarisikudega.
22. Peakaitsmed – seadme alalise tulekahjuvastaseks kaitseks tuleb kasutada õiget tüüpi ja asjakohaste parameetritega kaitsmeid. Antud pingela kaitsmete parameetrid on märgitud seadmele.
23. Helitegevust ei tohi muusikapala valitse osaga kuulamisel või audio sisendsignaali puudumisel tõsta. Vastasel juhul võib signaali äkiline tugevnemine kõlarit kahjustada.
24. Seadme toiteallikast täieliku lahtiühendamise ainsaks viisiks on toitekaabli toitespast või seadme eemaldamine. Võrgupesast või toitekaabli seadme sisend peavad toote kasutamise käigus alati juurdepääsetavad olema.
25. Seade tuleb paigutada võrgupesast või pikendusjuhtme lähedusse nii, et need oleks alati juurdepääsetavad.
26. Seadme keskkonna maksimaalne temperatuur võib olla kuni 35°C.
27. Elektrostaatilisest laadusest puudutavad juhised – kui seadme töö on häiritud elektrostaatilisest laadusest tuleb see välja lülitada ja seejärel uuesti sisse lülitada või teise kohta ümber tõsta.
28. Patareid
- a. Patareid ei tohi allutada ülemäärase soojuse, nagu nt päikesekiired, tuli jms, toimele.
- b. Patareide utiliseerimisel tuleb pöörata tähelepanu keskkonnakaitse aspektidele.
- c. Patareide kasutamist puudutav hoiatus: patareidel ei tohi lasta kuluda kuni lekkimiseni, mis võib põhjustada kehavigastusi ja seadme kahjustusi:
- Patareide sisestamisel pöörata tähelepanu nende polaarusele (+ ja -).
 - Ei tohi kasutada samaaegselt erinevaid patareid — vanu ja uusi, standardseid ja alkaalipatareid, jne.
 - Kui seadet pikema aja jooksul ei kasutata, tuleb patareid välja võtta.

HOIATUS

- Seadet ei tohi kasutada piiratud füüsiliste, sensoorsete ja psüühiliste võimetega või seadmea töötamise kogemusi või teadmisi mitte omavad inimesed (sealhulgas lapsed), kui nad ei viibi nende ohtuse eest vastutavate isikute järelevalve all või kui neid ei ole seadme ohutu kasutamise teemal instrueeritud. Kui seadet teenindavad lapsed, on nõutav täiskasvanute kohaolek; see võimaldab tagada seadme ohutu kasutuse.
1. Keelatud on töötav seadet järelvalveta jätta! Kui seadet isegi lühikese aja jooksul ei kasutata, tuleb see välja lülitada.
 2. Seadet ei tohi teenindada taimeriga välise kella vahendusel ega eraldiastseva kaugjuhtimisega süsteemi abil.
 3. Toitejuhtme kahjustuste korral ohtude vältimiseks peab väljavahetamist teostama tootja, autoriseeritud teeninduspunkt või muu, asjakohast kvalifikatsiooni omav isik.
 4. Enne seadme teenindamise juurde asumist tuleb veenduda, et selle pinge vastab kohalikus toitevõrgus esinevale pingele.
 5. Seadme ventilatsiooniväsiid ei tohi kinni katta, nt ajalehtede, laualina, kardinatega, jms. Tuleb veenduda, et seadme kohal on vähemalt 20 cm vaba ruumi ja sellel igal küljel — vähemalt 5 cm.
 6. Ei tohi lasta tekkida olukorral kui seadmele või selle sisemusse tilgub või voolab vedelik ega tohi sellele asetada vedelikega täidetud esemeid, selliseid nagu vaasid.
 7. Tulekahju või elektrilöögi vältimiseks tuleb seadet kaitsta kuumade kohtade, vihma, niiskuse ja tolmu toime eest.
 8. Seadet ei tohi paigutada mingite veeallikate, nt kraanide, vannide, pesumasinate või ujumisbasseinide lähedusse. Seade tuleb asetada tasasele ja stabiilsele aluspinnale.
 9. Seadet ei tohi allutada tugevate magnetväljade toimele.
 10. Vahetult võimendile või vastuvõtjale seadet asetada ei tohi.
 11. Seadet ei tohi viia niiskesse kohta, sest niiskusel on elektrilistele allüksustele kahjulik mõju.
 12. Peale seadme külmast sooja või niiskesse kohta toomist võib möngija sees olevale läätsele tekkida niiskuse kondensatsioon. Sellises olukorras seade korralikult tööle ei hakka. Niiskuse aurumise vältimiseks tuleb sisselülitatud seade jätta umbes tunniks ajaks seisma.
 13. Seadet ei tohi puhastada keemiliste lahustitega, sest need võivad kahjustada korpuse lakikihti. Seadet pühitakse puhta, kuiva või vähesel määral niisutatud lapiga.
 14. Pistiku seinakontaktist eemaldamisel tuleb alati tõmmata pistikut, mitte aga toitekaablit.
 15. Kui sisselülitatud seadet kasutatakse sisselülitatud teleri läheduses võib see osutada ekraanil joontena nähtavate häirete allikaks. Sõltub TV ülekande laineribast. See ei tähenda aga ei seadme ega teleri väärat töötamist. Selliste häirete vältimiseks tuleb seade telerist eemale nihutada.
 16. Võrgupistikut kasutatakse toitepinge lahtiühendamiseks ja see peab alati juurdepääsetav olema.
 17. Võimalike kuulmiskahjustuste vältimiseks ei tohi muusikat pikemat aega valjult kuulata.



TÄHELEPANU

Deklaratsioon

Blaupunkt Competence Center 2N-Everpol Sp. z o.o. teavitab käesolevaga, et seade vastab direktiivi 2014/53 / EL nõuetele ja selle muudele asjakohastele sätetele. Täielik vastavusdeklaratsioon asub leheküljel www.blaupunkt.com toote järjehoidjas.

Vastutav ettevõtte: 2N-Everpol Sp. z o.o.

Puławska 403A, 02-801 Varssavi, Poola

Telefon: +48 22 688 08 00, e-mail: info@everpol.pl



Toode on toodetud kõrgkvaliteetsetest taastootmisesse suunatavatest ja taaskasutatavatest materjalidest ning allüksustest.



Kui teie seadmel on läbikriipsutatud prügikasti silt, tähendab see, et toode on hõlmatud Euroopa direktiivi 2012/19/EL sätetega. Sellest lähtuvalt järgige kohalikke eeskirju ja tutvuge kohaliku elektri- ja elektroonikajäätmete kogumissüsteemi nõuetega ning järgige neid selle toote puhul.

ÄRGE KASUTAGE SEDA TOODET KOOS OLMEJÄÄTMETEGA!

SEE TOODE SISALDAB OHTLIKKE AINEID, SEGUSID JA KOOSTISAINEID, MIS VÕIB LOATAMATA OLLA VÕIMALIKUTE MÕJUTE ALLIKAKS LOODUSKESKKONNALE JA INIMESE TERVISELE!

Kasutatud toote õige utiliseerimine hoiab ära negatiivsed mõjud keskkonnale ja inimeste tervisele.



Seade on varustatud Euroopa direktiiviga 2006/66/EC hõlmatud patareidega. Patareide äraviskamine koos kodumajapidamisjäätmetega on keelatud. Tutvuda patareide eraldiasetsevalt kogumist käsitlevate kohalike eeskirjadega, sest õige utiliseerimine väldib potentsiaalseid looduskeskonnale ja inimeste tervisele kahju tekitavaid tagajärgi.

Looduskeskkonna kaitset käsitlev teave

Pakend sisaldab ainult vajalikke elemente. Tehtud on kõik endast olenev, et kolm koostismaterjali oleks hõlpsasti eraldatavad: papp (kast), polüstüreenvaht (seesmine kaitse) ja polüetüleen (kotid, kaitsepoogen). Toode on toodetud materjalidest, mida saab suunata taastootmisesse ja peale nende eriotstarbelise ettevõtte poolt demonteerimist, uuesti kasutada. Järgida pakendmaterjalide, patareide ja kasutatud seadmete utiliseerimist käsitlevaid kohalikke ettekirjutusi. Materjalide salvestamiseks ja esitamiseks võib vaja minna nõusolekut. Tutvuge autoriõiguse ja esinejate/kunstnike õiguste seadusega.

ERP2 (elektrienergiaga seotud seadmed) puudutav märkus

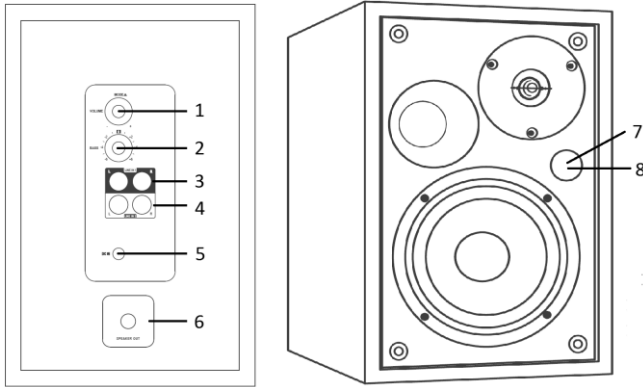
Käeolev ökoprojektiga seade vastab vastab ökoprojektide nõudeid käsitleva KOMISJONI (EÜ) MÄÄRUSE nr 1275/2008 kontori- ja kodukasutuseks mõeldud seadmete väljalülitatuna ja ooterežiimis energiatarbimist puudutava direktiivi 2009/125/WE jõustava 2. etapi nõuetele.



Kaubamärgi ja logo Bluetooth® omanik on ettevõtte Bluetooth SIG, Inc. USA. Asjaomaste kaubamärkide ja logo kasutamine on litsentseeritud. Muud märgid ja kaubanimed kuuluvad asjakohastele omanikele.

Täname meie mudeli ostmise eest, enne seadme käivitamist palume käesolev juhend hoolikalt läbi lugeda ja sellega tutvuda. Palume säilitada juhend tulevikus kasutamiseks.

Teeninduselementide paigutus



1. Nupp toite sisselülitamiseks/helitugevuse reguleerimiseks/esitusrežiimi valimiseks: sisselülitamiseks vajutage seda pärast seadme eelnevat toitega ühendamist lühidalt; seadme ooterežiimi ümberlülitamiseks vajutage ja hoidke 3 sekundit all; vajutage seda mitu korda lühidalt esitusrežiimi muutmiseks; keerake nuppu üldhelitugevuse kohandamiseks.

2. Madalate toonide reguleerimise nupp: keerake seda madalate toonide taseme suurendamiseks või vähendamiseks.

3. RCA liinisensendi pesa 1

4. RCA liinisensendi pesa 2

5. Alalisvoolu toitepesa.

6. Kõlari väljundpesa: ühendage stereorežiimi saavutamiseks satelliitkõlariga.

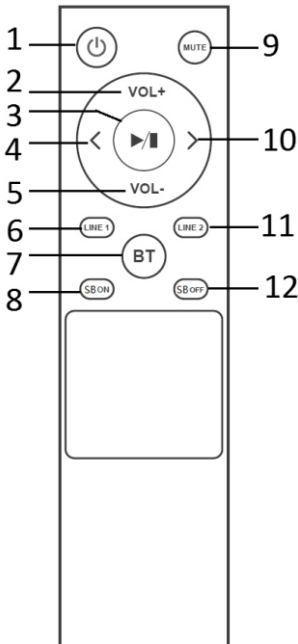
7-8: Kaugjuhtimispuhli infrapunaandur ja märguande LED-diodiga aknake:

Punane värv: ooterežiimis.

Sinine värv: Bluetooth-režiimis.

Helesinine värv: liinisensendi 1 režiimis.

Kollane värv: liinisensendi 2 režiimis.



Kaugjuhtimispuhli

1. Toitenupp: vajutage seadme ooterežiimi ja sellest välja lülitamiseks.

2,5- Helitugevuse +/- nupp: vajutage väljundhelitugevuse kohandamiseks.

3- Esitus/paus: vajutage Bluetooth-režiimis heli esitamiseks või peatamiseks.

4,10 – Nupp Eelmine/Järgmine: vajutage Bluetooth-režiimis eelmisele/järgmisele muusikapalale ümberlülitamiseks.

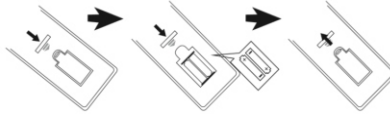
6,7,11- Valiku nupp: liinisensend 1/Bluetooth/Liinisensend 2: vajutage seda otse vastavasse esitusrežiimi üleminekuks.

10,17- Super bassi sisse/väljalülitamise nupp: vajutage super bassi funktsiooni sisse või välja lülitamiseks.

9- Vaigistamise nupp: vajutage kõlari vaigistamiseks; vajutage esitamise jätkamiseks uuesti.

Kaugjuhtimispuldi patareide paigaldamine

Ava patareikambri kaas ja sisesta 2 AAA patareid (komplektis) kambrisse; Veendu, et patareide polaarsus on kambrile trükitud positiivse ja negatiivse polaarsuse tähistega kooskõlas. Seejärel sulge patareikamber.

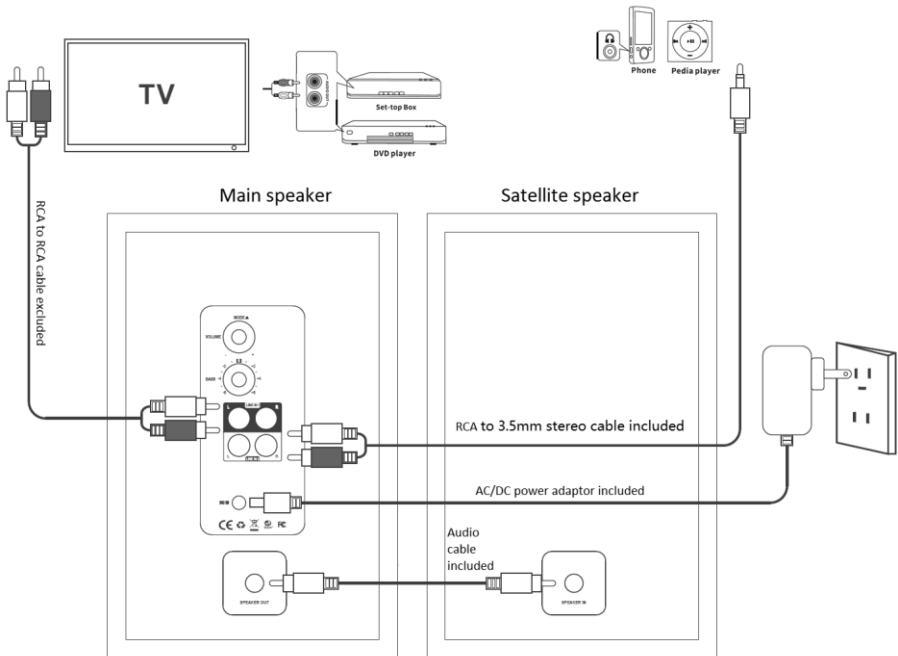


Märkused:

- Kaugjuhtimispuldi parim kaugus, ilma mingite puldi ja soundbari vahelise takistusteta, on 5 meetrit. Puldi kasutamisel tuleb see suunata soundbari esiküljel paiknevale kaugjuhtimispuldi andurile.
- Patareide tühjakslaadimisel puldi tundlikkus väheneb. Siis tuleb need uute vastu välja vahetada.
- Puldi pikema mittekasutamise korral võtta patareid välja.
- Patarei tuleb utiliseerida keskkonnasõbralikul viisil. Üksikasjaliku teabe saamiseks, tutvu kohalike võimude nõudmistega.

Pea- ja satelliitkõlarite ühendamine: Enne kõlarite sisselülitamist ühendage need kõigepealt kaasasoleva RCA-lt RCA-le (üksikühendus) audiojuhtme abil omavahel. Ühendage juhtme üks pistik peakõlari pesa ja teine pistik satelliitkõlari pesa.

Toitega ühendamine: Toiteallika saamiseks ühendage kaasasolev AC/DC toiteplokk kodusesse AC pesa, seejärel ühendage toiteploki DC ühendus peakõlari tagapaneelil asuvasse toitepesa. Seejärel lülitub kõlar ooterežiimi ja on töövalmis. Peakõlari tagaküljel või kaugjuhtimispuldil oleva toite sisselülitamise nupu lühiajaline vajutamine võib kõlarid sisse lülitada. Tagapaneelil oleva toitenupu pikem vajutus (3 sekundit) või kaugjuhtimispuldi toite sisselülitamise nupu lühike vajutus võib kõlarid ooterežiimist välja lülitada.



Käesolev mudel ühendub väliste seadmetega, nagu teler, TV dekooder, DVD-mängija, Blu-ray DVD-mängija, MP3-mängija jne.

Kõlaril on erinevate allikate tarbeks 2 RCA analoogisendit (liinisensid). Vaadake ülaltoodud jooniselt, kuidas selle mudeliga väliseid seadmeid ühendada. Komplektis on stereojuhe RCA- minijack 3,5 mm.

Bluetooth kasutamine

Käesolev toode sisaldab Bluetooth-funktsiooni, mis võimaldab teistest Bluetooth-seadmetest (nt nutitelefonid, tahvelarvutid, telerid jne) juhtmevabalt muusikat esitada.

- Lülitage seade sisse, vajutage Bluetooth-režiimi üleminekuks tagaküljel olevat režiimi valimise nuppu või kaugjuhtimispuldil Bluetooth-nuppu. LED-dioodi aknas vilgub sinine LED-diood, mis näitab, et seade on paarimiseks valmis.
- Lülitage välises seadmes (nt nutitelefonis) sisse Bluetooth-funktsioon ja leidke paarimiseks saadaolevad seadmed (vaadake välise seadme kasutusjuhendit), seejärel kontrollige loetelus olevaid Bluetooth-seadmeid. Valige paarimiseks „BP BS40“ ja pärast õnnestunud paarimist süttib käesoleval mudelil püsivalt sinine LED.
- Valige ja mängige muusikat oma Bluetooth-seadmelt, reguleerige vastavalt helitugevust ning heli esitatakse käesoleva mudeli kaudu.
- Puldil asjakohaseid nuppe vajutades võib Bluetooth režiimis teha selliseid toiminguid nagu: eelmise/järgmise muusikapala valimine, esitus/paus, vaigistamine, jne.

Märkused:

- Erinevate konstruktsioonide ja kaubamärkide tõttu ei ole kõigi Bluetooth-seadmete õigesti paarimine tagatud.
- Bluetooth maksimaalne tööulatus on seadmete vaheliste tókete puudumisel 10 meetrit.
- Seade on paaritav ja võib töötada korraga ainult ühe Bluetooth-seadmega.
- Bluetooth esituse ajal sissetuleva ühenduse korral; muusika peatub hetkeks ja taastab esitamise pärast telefoniühenduse lõppemist.

Bluetooth ühendamise teleriga: Kui teleril on Bluetooth-ühendus, saab käesoleva mudeliga esitada telerist tulevat heli juhtmevabalt. Lülitage teleri seadetes sisse Bluetooth-funktsioon ja leidke paarimiseks seade nimega „BP BS40“. Üksikasjalikuma teabe saamiseks tutvuge teleri kasutusjuhendiga.

Probleemide lahendamine

- Kõlarit ei saa sisse lülitada.
 - Kontrolli kas toide on õigesti ühendatud.
- Puudub heli.
 - Proovi reguleerida helitugevuse taset, kontrolli vaigistamise nuppu ja esituse allikat.
 - Probleemi jätkuva esinemise korral võta abi saamiseks ühendust teeninduskeskusega.
- Heli on moonutatud.
 - Proovi esitada muusikat madalamal helitugevuse tasemel.
 - Kontrolli sopranite/basside seadeid.
 - Proovi vähendada helitugevuse taset välises seadmes, nagu teler jms.
- Katkev heli Bluetooth režiimis.
 - Proovi Bluetooth seade kõlarile lähemale asetada.

Spetsifikatsioonid

Üldine

Toide: DC IN 19 V/1,65 A
 Energiatarve (siselülitatud režiimis): xxx W töörežiimis
 Võimsustarbimine ooterežiimis: < 0,5 W
 RMS väljundvõimsus: 2 x 20 W
 Summaarne harmooniline moonutustegur: < 1% (1 kHz, 1 W)
 Audiosensidi tundlikkus: LINE IN 1: 550 MV, LINE IN 2: 750 MV
 Ülekanderiba: 45 Hz – 20 KHz; S/R: > / = 80 dB
 USB-kaudu muusika tugi: MP3/WAV/WMA (kõigi failide esitamine ei ole tagatud)
 USB-mälu maksimaalne maht: 32 GB
 Seadme mõõtmed: 155 x 248 x 175 mm (lai. x kõrg. x süg.)
 Sisendid: 2 x RCA liinisensid

Kõlarid (suurus/impedants)

Kõrgete toonide kõlar: 1,25"/4Ω
 Madalate toonide impedants: 4"/4Ω

Bluetooth

Bluetooth versioon: V5.3
 Tööulatus: umbes 10 meetrit
 Ülekande sagedus: 2,402–2,480 GHz
 Protokollid: 2DP/AVCTP/AVDTP/AVRCP/GAVDP/HFP/HID/OPP/RFCOMM/SPP
 A2DP/AVRCP
 (Toote spetsifikatsioon võib ilma eelneva hoiatamiseta muudatustele alluda).

Kaasas olevad tarvikud:

Kaugjuhtimispuult x 1 tk.
 Kaugjuhtimispuoldi patareid x 1 paar
 Kasutusjuhend x 1 tk.
 Kasutusjuhend x 1 tk.
 Garantiikaart x 1 tk.
 Audiojuhe (3,5 mm stereo RCA-le) x 1 tk.
 Juhe kõlarite ühendamiseks: RCA-RCA üksikühendusega x 1 tk.
 AC/DC toiteplokk x 1 tk.

SVARBIOS SAUGOS INSTRUKCIJOS

ELEKTROS SMŪGIO GRĖSMĖ
DRAUDŽIAMA ATIDARYTI**Išpėjimas:**

Kad sumažintumėte elektros smūgio riziką, draudžiama išmontuoti įrenginio dangtelį ar galinę dalį. Įrenginyje nėra komponentų skirtų vartotojui savarankiškai taisyti. Techninė priežiūra ir remontas aptarnaujami tik kvalifikuoto techninio personalo.

Grafinių simbolių paaiškinimas:

Zaibo simbolis užbaigtas rodykle lygiakraščiame trikampyje įspėja vartotoją apie neizoliuotą "pavojingą įtampą" esančią įrenginio korpusė, kuri gali pasiekti dydį sukeltantį elektros smūgio pavojų.



Šauktuko ženklas lygiakraščiame trikampyje įspėja vartotoją, kad šiame punkte pateikiama svarbi informacija apie įrangos veikimą ir techninę priežiūrą dokumentuose pateikiamuose su įrenginiu.

Prašome perskaityti šias instrukcijas prieš pradėdant įrenginio naudojimą, kad susipažinti su jo funkcijomis ir naudoti jį taip, kaip numatyta. Tai užtikrins ilgalaikį įrenginio veikimą be gedimų ir jo naudojimo malonumą.

Svarbi informacija

- Privaloma išsaugoti šias naudojimo instrukcijas ir saugos informaciją būsimam naudojimui.
- Neleiskite skysčiams lašėti ar išsilieti ant įrenginio.
- Draudžiama taip pat naudoti jį drėgnose vietose, pvz. vonios kambarėje.
- Draudžiama įrengti šį įrenginį tokiose vietose:
- Vietos neapsaugotos nuo tiesioginių saulės spindulių ar šalia radiatorių.
- Dėti jį ant viršaus kitos stereofoninės įrangos, kuri išleidžia šilumą.
- Blokuojant ventiliaciją arba dulkėtoje vietoje.
- Vietose, kuriose vyksta nuolatinė vibracija.
- Vietose, kur yra didelė drėgmė.
- Draudžiama dėti įrenginį arti žvakių ar atviros liepsnos.
- Įrenginys gali būti naudojamas tik šiame vadove aprašytu būdu.
- Prieš įjungdami maitinimą pirmą kartą, įsitikinkite, kad srovės adapteris yra tinkamai prijungtas.
- USB atmintinė jungiami tiesiogiai arba su USB pratęsimo laidu iki 25 cm ilgio.

Dėl saugumo priežasčių, draudžiamas gaubūtų išmontavimas bei įrenginio vidaus atskleidimas. Įrenginio remontas turėtų būti aptarnaujamas kvalifikuoto techninio personalo.

Draudžiama ardyti įrenginį bei atidarinėti jo korpusą, nes jo viduje nėra jokių dalių, kurias galėtų naudotojas pataisyti. Techninė priežiūra ir remontas aptarnaujami tik kvalifikuoto techninio personalo.

SAUGOS INSTRUKCIJOS

1. Perskaitykite instrukcijas – prieš naudodami įrenginį perskaitykite visą naudojimo instrukciją ir saugos informaciją.
2. Išsaugokite instrukcijas – privaloma išsaugoti naudojimo ir valdymo instrukcijas būsimam naudojimui.
3. Laikykitės išpėjimų – privaloma laikytis visų prietaiso išpėjimų pateiktų ant įrenginio ir vadovautis naudojimo instrukcijomis.
4. Laikykitės instrukcijų – privaloma vadovautis naudojimo instrukcijomis bei nurodymais vartotojų.
5. Diegimas – nustatykite įrenginį pagal gamintojo instrukcijas.
6. Maitinimo šaltiniai – įrenginys turi būti maitinamas tik iš šaltinių, kurių parametrai nurodyti maitinimo laido žymenyse. Jei vartotojas nėra tikras, kokios energijos tipą turi namuose, turėtų susisiekti su savo įrenginio platintoju arba vietiniu elektros energijos tiekėju.
7. Maitinimo šaltinio įžeminimas arba poliarizacija – įrenginys neturi būti įžemintas. Privaloma įsitikinti, kad kištukas yra visiškai įdėtas į elektros tinklo lizdą arba pratęsimo laidą, kad išvengtų kaiščių ar kontaktų ekspozicijos. Kai kuriose įrenginio versijose gali būti polarizuotas kintamosios srovės maitinimo kaiščių (su vienu platesniu kaiščiu). Šis kištukas gali būti įjungtas į elektros tinklo lizdą tik vienu būdu. Tai apsaugos funkcija. Jei negalite įkišti kištuko į lizdą, pabandykite jį apsukti. Jei kištukas vis dar netelpa į lizdą, elektrikas turėtų jį pakeisti. Draudžiama nuimti apsaugos priemonės nuo polarizuoto kištuko. Jeigu naudojamas pratęsimo laidas ar maitinimo laidas kitokie nei pateikti kartu su įrenginiu, jie turėtų turėti tinkamus kištukus ir saugos sertifikatus reikalaujamas tam tikroje šalyje.
8. Maitinimo laido apsaugos priemonės – maitinimo kabeliai turi būti nuvesti taip, kad po juos negalėtų vaikščioti, jų prispausti ar prikišti padėtais objektais. Atkreipkite ypatingą dėmesį į kištukus, maitinimo lizdus ir vietas, kuriose laidai išvesti iš įrenginio.
9. Perkrovimas – draudžiama perkrauti sieninius lizdus, pratęsimo lizdus ir elektros skirstytuvus, nes tai gali sukelti gaisrą arba elektros smūgį.
10. Vėdinimas – įrenginys turi būti tinkamai vėdinamas. Draudžiama dėti įrenginį ant lovos, sofos ar ant panašių paviršių. Draudžiama pridengti įrenginį staltiesėmis, servetėlėmis, laikraščiais ir pan.
11. Šiluma – nedėkite įrenginio arti šilumos šaltinių, tokių kaip šildytuvai, radiatoriai, krosnys ar kiti prietaisai (įskaitant stipriklus), kurie gamina šilumą. Nedėkite ant įrenginio uždegtų žvakių ar kitokių atviros ugnies šaltinių.
12. Vanduo ir drėgmė – norėdami sumažinti gaisro ar elektros smūgio pavojų, saugokite įrenginį nuo tiesioginio lietaus, vandens ir drėgmės poveikio, tokio kaip pvz. saunoje ar vonioje. Nenaudokite šio įrenginio šalia vandens, pavyzdžiui, prie vonios, kriauklės, virtuvės ar kubelio, šlapiame rūšyje arba prie baseino (ar panašiose vietose).
13. Objektai ir skysčiai įrenginyje – draudžiama kišti bet kokius daiktus per įrenginio angas, nes jie gali liestis su pavojingomis įtampomis taškais ir komponentais, dėl ko gali kilti gaisras arba įvykti elektros smūgis. Griežtai draudžiama išpilti bet kokius skysčius ant įrenginio paviršiaus. Draudžiama dėti ant įrenginio viršaus objektus, kuriuose yra skysčių.

14. Valymas – prieš valydamis visada išjunkite įrenginį iš elektros tinklo lizdo. Dulkes aplink garsiakalbį galima nuvalyti sausu skudurėliu. Jei valymui naudojamas aerosolis, nepartartina kreipti purškimo srauto tiesiai į prietaisą, bet ant skudurėlio. Būkite atsargūs, kad nesugadintumėte pavaro šaltus.
15. Papildoma įranga – draudžiama naudoti priedus, kurie nėra patvirtinti gamintojo, nes jie gali kelti pavojų.
16. Priedai – draudžiama statyti įrenginį ant nestabilius vežimėlio, stovo, trikojo, atramos ar stalo. Prietaisas gali apsvirsti ir susigadinti, bei sunkiai sužeisti vaiką ar suaugusį asmenį. Privaloma naudoti tik gamintojo nurodytus vežimėlius, stovus, trikojus, atramas ar stalus arba paruošdamos kartu su įrenginiu. Įrenginio surinkimą privaloma atlikti pagal gamintojo instrukcijas naudojant gamintojo rekomenduojamą surinkimo komplektą.
17. Prietaiso perkėlimas – ant vežimėlio padėti įrenginį būtina stumti labai atsargiai. Staigus stabdymas, per didelė jėga arba netolygūs paviršiai gali sukelti vežimėlio išsivertimą kartu su įrenginiu.
18. Įrenginio nenaudojimo laikas – atjunkite maitinimo laidą nuo elektros lizdo audros su žaibais metu arba jeigu įrenginys nebus naudojamas ilgą laiką.
19. Techninis aptarnavimas – draudžiama savarankiškai bandyti asmeniškai naršyti įrenginį. Dangčio atidarymas gali sukelti kontaktą su pavojinga įtampa ir sukelti vartotojui kitus pavojus. Techninė priežiūra ir remontas aptarnaujami tik kvalifikuoto techninio personalo.
20. Kai įrenginys nenaudojamas, atjunkite jo maitinimo kištuką nuo elektros lizdo. Kai prietaisas prijungtas prie maitinimo šaltinio, jis veikia budėjimo režime ir nėra visiškai išjungtas.
21. Atsarginės dalys – keičiant dalis, įsitikinkite, kad techninės priežiūros darbuotojas panaudojo gamintojo rekomenduotas atsargines dalis arba kad dalys yra identiškos originalioms dalims. Nepatvirtintų dalių panaudojimas sukelia gaisro, elektros smūgio pavojų ar kitus pavojus.
22. Pagrindiniai saugikliai – kad prietaisas būtų nuolat apsaugotas nuo gaisro, naudokite tinkamo tipo ir parametrų saugiklius. Saugiklių parametrai tam tikrame įtampos diapazone yra pažymėti ant įrenginio.
23. Draudžiama didinti garsumą klausydami nedidelio garsumo kūrinių dalies arba nesant įvesties audio signalui. Kitaip garsiakalbis gali sugesti jei signalo stiprumas sparčiai padidėja.
24. Vienintelis būdas visiškai atjungti įrenginį nuo maitinimo šaltinio tai ištraukti maitinimo laidą iš elektros srovės lizdo arba iš įrenginio. Naudojant įrenginį, visada turi būti prieinamas elektros tinklo lizdas arba maitinimo laido įėjimas į įrenginį.
25. Įrenginys turi būti dedamas šalia maitinimo tinklo lizdo arba pratęsimo laido taip, kad jis visada būtų prieinamas.
26. Didžiausia įrenginio aplinkos temperatūra tai 35°C.
27. Patarimai dėl elektrostatinių iškrovų - jei prietaiso veiksmingumas yra veikiamas elektrostatinių iškrovimų, išjunkite jį ir vėl įjunkite arba perkelkite įrenginį į kitą vietą.
28. Baterija
 - a. Baterijos negali būti veikiamos per didelės temperatūros, pavyzdžiui, saulės spindulių, ugnies ir t.
 - b. Išmesdami baterijas, atkreipkite dėmesį į aplinkosaugos aspektus.
 - c. Įspėjimas dėl baterijų naudojimo: norėdami išvengti baterijų nutekėjimo, dėl kurio galite sužaloti savo kūną ar sugadinti įrenginį:
 - Įdėdami bateriją atkreipkite dėmesį į jos poliarizaciją (+ ir -).
 - Nenaudokite skirtingų baterijų tuo pačiu laiku - senų ir naujų, standartinių ir šarminių baterijų ir kt.
 - Ilgesnį laiką nesinaudojant įrenginiu, išimkite iš jo baterijas.

ĮSPĖJIMAS

Įrenginiu neturėtų naudotis asmenys (įskaitant vaikus), turintys mažesnes fizines, juslines ar psichines galimybes, ir asmenys, neturintys pakankamai žinių ir patirties, jei jie nėra prižiūrimi asmenų atsakingų už jų saugą, ir nebuvo jiems įrengti, kaip saugiai naudoti įrenginį. Suaugusių asmenų buvimas reikalingas, jei vaikai naudoja prietaisą; tai užtikrins saugų įrenginio naudojimą.

1. Niekada nepalikite veikiančio įrenginio be priežiūros. Išjunkite prietaisą, kai jis nenaudojamas, net trumpą laiką.
2. Prietaiso negalima valdyti per išorinį laikrodį su sinchronizavimo grandinėmis arba per atskirą nuotolinio valdymo sistemą.
3. Norėdami išvengti pavojaus maitinimo laido sužalojimo atveju, jį pakeisti turėtų gamintojas, įgaliotas aptarnavimo centras ar kitas kvalifikuotas asmuo.
4. Prieš pradėdami įrenginio naudojimą patikrinkite, ar jo įtampa atitinka vietos maitinimo įtampą.
5. Draudžiama uždengti prietaiso ventiliacijos angas, pvz. laikraščiais, staltiese, užuolaidomis ir pan. Įsitikinkite, kad virš įrenginio yra ne mažiau kaip 20 cm laisvos vietos ir bent 5 cm iš kiekvienos jo pusės.
6. Neleiskite, kad ant įrenginio nutekėtų ar išsilietų skystis, be to, nedėkite ant jo pripildytų skysčiais objektų, tokių kaip vazos.
7. Norėdami išvengti gaisro ar elektros smūgio, apsaugokite prietaisą nuo karštų vietų, lietaus, drėgmės ir dulkių poveikio.
8. Draudžiama statyti įrenginį arti bent kokių vandens šaltinių, pvz. čiaupų, vonių, skalbimo mašinų ar plaukiojimo baseinų. Įrenginį dėkite ant lygaus ir stabilaus paviršiaus.
9. Saugokite įrenginį nuo stipraus magnetinio lauko.
10. Draudžiama statyti įrenginį tiesiai ant stiprintuvo ar AV imtuvo.
11. Draudžiama statyti įrenginį drėgnoje vietoje, nes drėgmė neigiamai veikia elektrinius komponentus.
12. Kai įrenginys atnešamas iš šaltos į šiltą vietą arba į drėgną vietą, ant objektyvo, esančio grotuvo viduje, gali įvykti drėgmės kondensacija. Tokiu atveju įrenginys dirbs netinkamai. Palikite įrenginį maždaug vienai valandai, kad drėgmė išgaruotų.
13. Draudžiama valyti įrenginį cheminiais tirpikliais, nes jie gali pažeisti dengiamąjį laką. Prietaisą valykite švariu, sausu arba šiek tiek drėgnu skudurėliu.
14. Ištraukdami kištuką iš sieninio lizdo, visada traukite už kištuko, niekadus už maitinimo laido.
15. Jeigu įjungtas įrenginys naudojamas šalia įjungto televizoriaus, jis gali sukelti vaizdo iškraipymą linijos ekrane pavidalu. Tai priklauso nuo TV transliacijos bangų juostos. Tai nereiškia, kad įrenginys arba televizorius yra sutrikę. Jei matote tokias linijas, atitolinkite įrenginį nuo televizoriaus.
16. Maitinimo kištukas naudojamas maitinimo įtampos atjungimui ir visada turėtų būti prieinamas.
17. Norėdami išvengti galimo klausos praradimo, ilgai neklusykite garsios muzikos.



DĖMESIO**Deklaracija**

Šiuo Blaupunkt Competence Center 2N-Everpol Sp. z o.o. deklaruoja, kad šis įrenginys atitinka Direktyvos 2014/53 / ES reikalavimus ir kitas atitinkamas nuostatas. Visą atitikties deklaraciją galite rasti interneto svetainėje www.blaupunkt.com gaminio skyriuje.

Atsakingas subjektas 2N-Everpol Sp. Z o.o.

Puławska 403A, 02-801 Warszawa, Polska

Telefonas: +48 22 688 08 00, e. paštas: info@everpol.pl



Produktas pagamintas iš aukštos kokybės medžiagų ir komponentų, kuriuos galima perdirbti ir pakartotinai naudoti.



Jei ant jūsų įrenginio yra perbrauktas šiukšlių dėžės ženklas su ratukais, tai reiškia, kad gaminiui taikomos Europos direktyvos 2012/19/ES nuostatos. Remdamiesi tuo, laikykitės vietinių taisyklių ir susipažinkite su vietinės elektros ir elektroninės atliekų surinkimo sistemos reikalavimais, o šio gaminio atveju jų laikykitės.

NEIŠMESTI ŠIO GAMINIO SU BUITINIŲ ATLIEKŪMIS!

ŠIAME GAMINĖJE YRA PAVOJINGŲ MEDŽIAGŲ, MIŠINIŲ IR KOMPONENTŲ, KURIE NETEISUS GALI BŪTI GALIMO POVEIKIO GAMTINAI APLINKAI IR ŽMONIŲ SVEIKATAI ŠALTINIS!

Tinkamai išmesdami panaudotą gaminį išvengsite neigiamo poveikio aplinkai ir žmonių sveikatai.



Šiame įrenginyje yra baterijos, kurioms taikoma Europos direktyva 2006/66/EC. Baterijas draudžiama išmesti kartu su buitinėmis atliekomis. Privaloma susipažinti su vietos atskirų medžiagų rinkimo reglamentus, nes dėl teisingo šalinimo bus išvengta galimų neigiamų pasekmių aplinkai ir žmonių sveikatai.

Informacija apie aplinkos apsaugą

Pakuotėje yra tik būtini elementai. Buvo imtasi visų pastangų, kad būtų galima lengvai atskirti tris pakuotės sudedamąsias dalis: kartoną (dėžė), polistirolo putplastį (apsauginė dangą) ir polietilena (krepšeliai, apsauginis lakštas). Prietaisas pagamintas iš medžiagų, kurios gali būti perdirbamos ir pakartotinai panaudotos, kai jas išmontuoja specializuota įmonė. Privaloma laikytis vietinių pakavimo medžiagų, sunaudotų baterijų ir nereikalingų įrenginių šalinimo taisyklių. Medžiagų įrašymui ir atkūrimui gali reikėti sutikimo. Žr. autorių teisių ir atlikėjų/artistų teisių įstatymą.

Pastaba apie ERP2 (su energija susijusių įrangą)

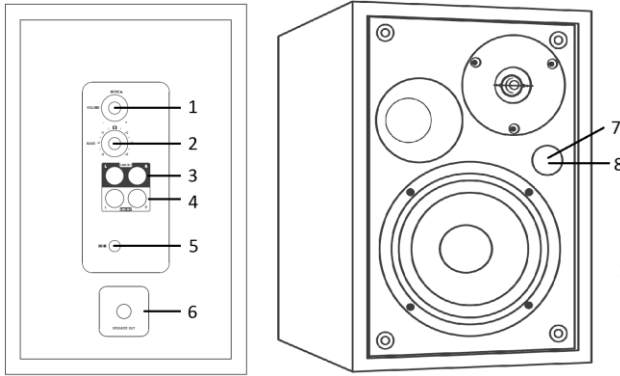
Šis ekologinio projektavimo įrenginys atitinka Komisijos reglamento (EB) Nr. 1275/2008, kuriuo įgyvendinama Direktyva 2009/125/EB dėl nenaudojamų ir budėjimo režimo elektroninių prietaisų energijos vartojimo biure ir buities reikmėms, 2 etapui.



Bluetooth® prekės ženklai ir logotipai priklauso įmonei Bluetooth SIG, Inc. JAV. Šių ženklų ir logotipų naudojimas pagal licenciją. Kiti prekių ženklai ir prekių pavadinimai priklauso atitinkamiems savininkams.

Dėkojame, kad pasirinkote mūsų modelį. Atidžiai perskaitykite šią instrukciją prieš pradėdami naudotis. Prašome išsaugoti šią instrukciją, kad galėtumėte ja vadovautis ir ateityje.

Valdymo elementų išdėstymas



1. Įjungimo / garsumo valdymo / atkūrimo režimo pasirinkimo sukamoji rankenėlė: trumpai paspauskite, kad įjungtumėte įrenginį po pirmojo prijungimo prie maitinimo šaltinio; paspauskite ir palaikykite 3 sekundes, kad perjungtumėte įrenginį į budėjimo režimą; keletą kartų trumpai paspauskite, kad pakeistumėte atkūrimo režimą; pasukite rankenėlę, kad sureguliuotumėte pagrindinį garso.

2. Žemų dažnių valdymo rankenėlė: pasukite, kad padidintumėte arba sumažintumėte žemų tonų lygį.

3. RCA 1 linijinės įvesties lizdas **4. RCA 2 linijinės įvesties lizdas** **5. Nuolatinės srovės maitinimo lizdas.**

6. Kolonėlių išvesties jungtis: prijunkite prie palydovinio kolonėlių stereo režimu.

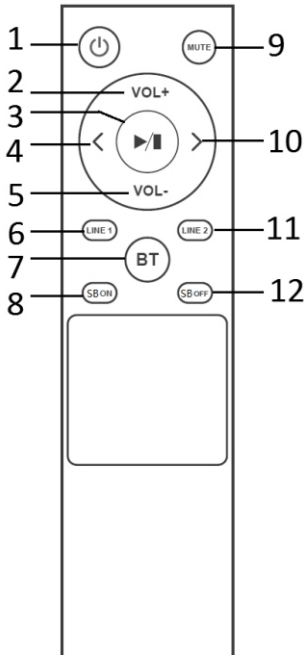
7-8: Infraraudonųjų spindulių nuotolinio valdymo jutiklis ir langas su šviesos diodų indikatoriumi:

Raudona spalva: budėjimo režimas.

Mėlyna spalva: „Bluetooth“ režimas.

Šviesiai mėlyna spalva: linijos įvesties režimas 1.

Geltona spalva: linijos įvesties režimas 2.



Nuotolinio valdymo pultelis:

1. Maitinimo mygtukas: paspauskite, jei norite perjungti įrenginį į budėjimo režimą.

2,5 – Garsumo mygtukas +/-: paspauskite, kad sureguliuotumėte išėjimo garsumą.

3 – Grojimas / pauzė: paspauskite, kad paleistumėte arba pristabdytumėte garso „Bluetooth“ režimu.

4,10 – Mygtukas Ankstesnis / Kitas: paspauskite, norėdami perjungti ankstesnį / kitą kūrinių „Bluetooth“ režimu.

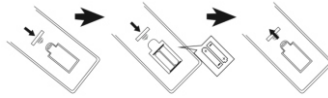
6,7,11 – Pasirinkimo mygtukas: linijinė įvestis 1 / „Bluetooth“ / linijinė įvestis 2: paspauskite, kad pereitumėte tiesiai į atitinkamą atkūrimo režimą.

8,12 – „Super bass“ įjungimo / išjungimo mygtukas: paspauskite, kad įjungtumėte arba išjungtumėte super žemų dažnių funkciją.

9 – Nutildymo mygtukas: paspauskite, kad nutildytumėte kolonėlę; paspauskite dar kartą, kad atnaujintumėte atkūrimą.

Maitinimo elementų įdėjimas į nuotolinio valdymo pultą

Atidarykite elementų skyrelį ir įdėkite 2 AAA elementus (pridedamos) į skyrelį. Įsitinkinkite, kad elementų poliškumas atitinka teigiamą ir neigiamą simbolius, nurodytus skyrelio viduje. Po to uždarykite elementų skyrelį.

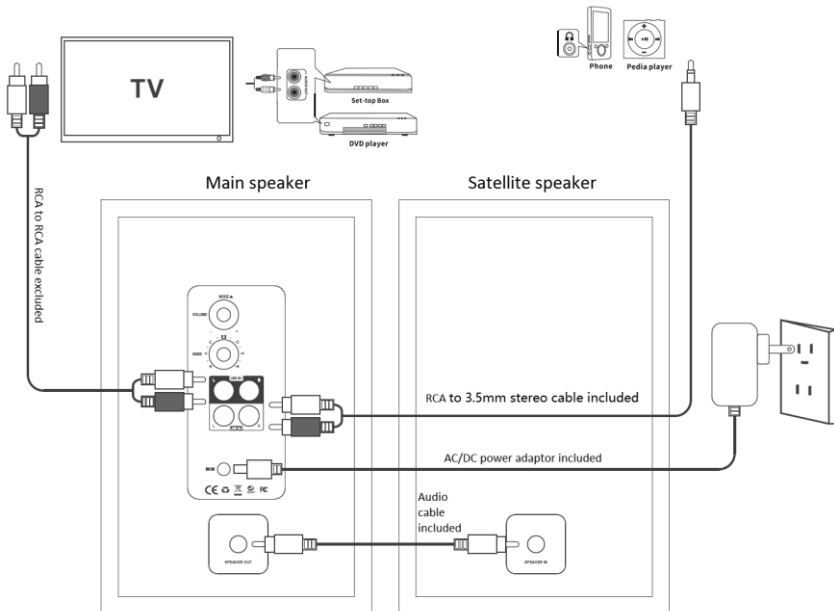


Pastabos

- Geriausias nuotolinio valdymo pulto veikimo atstumas yra 5 metrai, be jokių kliūčių tarp nuotolinio valdymo pulto ir garso sistemos. Naudodami nuotolinį valdymo pultą, nukreipkite jį į nuotolinio valdymo pulto jutiklį, esantį garso sistemos priekyje.
- Išsikrovus elementams, nuotolinio valdymo pulto jautrumas sumažės. Tada juos būtina pakeisti naujais.
- Išimkite elementus, jei nuotolinio valdymo pultas nenaudojamas ilgą laiką.
- Elementai turi būti šalinami aplinkai nekenksmingu būdu. Norėdami gauti daugiau informacijos, susipažinkite su vietos valdžios institucijų reikalavimais.

Pagrindinių ir palydovinių kolonėlių prijungimas: Prieš įjungdami kolonėles, pirmiausia prijunkite jas kartu naudodami pridedamą RCA š RCA (paviėnė jungtis) garso kabelį, vieną kabelio kištuką prijunkite prie pagrindinio kolonėlės lizdo, o kitą – prie palydovinio kolonėlės lizdo.

Prijungimas prie maitinimo šaltinio: Prijunkite komplektacijoje esantį kintamosios ir nuolatinės srovės maitinimo šaltinį prie namų kintamosios srovės lizdo, kad gautumėte maitinimo šaltinį, tada prijunkite nuolatinės srovės maitinimo kištuką prie maitinimo lizdo, esančio pagrindinės kolonėlės galiniame skydelyje. Tada kolonėlė pereis į budėjimo režimą ir bus paruošta naudoti. Trumpai paspaudę pagrindinio maitinimo įjungimo rankenėlę arba nuotolinio valdymo pulte esantį maitinimo mygtuką, galite įjungti kolonėles. Ilgai (3 sekundes) pmainimo įjungimo rankenėlę esantį maitinimo mygtuką arba trumpai paspaudus nuotolinio valdymo pulte esantį maitinimo mygtuką, kolonėlės perjungiamos į išjungtumėte budėjimo režim.



Šį modelį galima prijungti prie išorinių įrenginių, pavyzdžiui, televizoriaus, TV dekoderio, DVD grotuvo, „Blu-ray DVD“ grotuvo, MP3 grotuvo ir kt.

Kolonėlė turi 2 RCA analoginius įėjimus (linijinė įvestis) įvairiems šaltiniams. Pažiūrėkite į pirmiau pateiktą paveikslėlį, kad pamatytumėte, kaip prie šio modelio galima prijungti išorinius įrenginius. Pridedamas stereo RCA ir 3,5 mm minijack kabelis.

„Bluetooth“ valdymas

Šis gaminys turi „Bluetooth“ funkciją, kuri leidžia belaidžiu būdu atkurti muziką iš kitų „Bluetooth“ įrenginių (pvz., išmaniųjų telefonų, planšetinių kompiuterių, televizorių ir kt.).

1. Įjunkite įrenginį, paspauskite galiniame skydelyje esantį režimo parinkiklį arba nuotolinio valdymo pultelį esantį „Bluetooth“ mygtuką, kad įjungtumėte „Bluetooth“ režimą. Šviesos diodo lange žybsi mėlynas šviesos diodas, rodydamas, kad įrenginys yra paruoštas susiejimui.
2. Išoriniame įrenginyje (pvz., išmaniajame telefone) įjunkite „Bluetooth“ funkciją ir ieškote galimų įrenginių, kuriuos galima susieti (žr. išorinio įrenginio naudotojo vadovą), tada sąrašą patikrinkite galimus „Bluetooth“ įrenginius. Sujungimui pasirinkite „BP BS40“, ir sėkmingai sujungus šį modelį mėlynas šviesos diodas taps pastovus.
3. Pasirinkite ir paleiskite muziką iš „Bluetooth“ įrenginio, atitinkamai sureguliuokite garsumą ir garsas pradės skliti per šį modelį.
4. „Bluetooth“ režimu galite atlikti tokius veiksmus: pasirinkti ankstesnį / kitą kūrinį, paleisti / pristabdyti, nutildyti ir pan. paspausdami atitinkamą nuotolinio valdymo pultelio mygtuką.

Pastabos.

- a. Negerantuojama, kad visi „Bluetooth“ įrenginiai bus tinkamai susieti dėl skirtingų konstrukcijų ir prekės ženklų.
- b. Didžiausias „Bluetooth“ darbinis atstumas yra 10 metrų be jokių kliūčių tarp įrenginių.
- c. Vienu metu įrenginys gali susieti ir veikti tik su vienu „Bluetooth“ prietaisu.
- d. Jei „Bluetooth“ atkūrimo metu gaunamas skambutis; muzika bus laikinai sustabdyta ir atnaujinta, kai telefono skambutis bus baigtas.

„Bluetooth“ ryšys su televizoriumi. Jei televizoriuje yra „Bluetooth“ funkcija, šis modelis gali belaidžiu būdu atkurti garsą iš televizoriaus. Televizoriaus nustatymuose suaktyvinkite „Bluetooth“ funkciją ir ieškote įrenginio, pavadinto „BP BS40“, prie kurio norite prisijungti. Išsamesnės informacijos ieškote televizoriaus naudojimo instrukcijoje.

Problemų sprendimas

1. Garsiakalbis neįsijungia.
 - a. Patikrinkite, ar maitinimo laidas prijungtas teisingai.
2. Nėra garso.
 - a. Pabandykite reguliuoti garsumo lygį. patikrinkite nutildymo mygtuką ar atkūrimo šaltinį.
 - b. Jei problema išlieka, kreipkitės į techninės priežiūros centrą, kad išspręstų problemą.
3. Iškraipytas garsas.
 - a. Pabandykite atkurti muziką mažesniu garso lygiu.
 - b. Patikrinkite aukštųjų ir žemųjų dažnių nustatymo būseną.
 - c. Pabandykite sumažinti garsumą išoriniame įrenginyje, pvz., televizoriuje ir pan.
4. Trūkinėjantis garsas „Bluetooth“ režime.
 - a. Pabandykite pastatyti „Bluetooth“ įrenginį arčiau garso kolonėlės.

Specifikacijos

Pagrindinės

Maitinimas: NS IN 19 V / 1,65 A
 Energijos suvartojimas (įjungimo režimu): xxx W (veikimo režimu)
 Energijos suvartojimas budėjimo režime: < 0,5 W
 RMS išėjimo galia 2 x 20 W
 Bendrasis harmoninis iškraipymas < 1 % (1 kHz, 1 W)
 Garso įvesties jautrumas LINE IN 1: 550 MV, LINE IN 2: 750 MV
 Dažnių juostos plotis 45 Hz – 20 KHz; S/R: >= 80 dB
 USB muzikos palaikymas: MP3/WAV/WMA (visų failų atkūrimas negarantuojamas)
 Didžiausia USB atmintinė talpa: 32 GB
 Įrenginio matmenys: 155 x 248 x 175 mm (pl. x auk. x gyl.)
 Įėjimai: 2 x RCA linijiniai įėjimai

Kolonėlės (dydis / impedancija)

Aukštų dažnių kolonėlė: 1,25" / 4 Ω
 Žemų dažnių kolonėlės varža: 4" / 4 Ω

„Bluetooth“

„Bluetooth“ versija: V5.3
 Veikimo nuotolis: maždaug 10 metrų
 Perdavimo dažnumas: 2,402~2,480 GHz
 Protokoliai: 2DPP/AVCTP/AVDTP/AVRCP/GAVDP/HFP/HID/OPP/RFCOMM/SPP
 A2DP/AVRCP
 (Dėmesio: produkto specifikacija gali būti keičiama be išankstinio įspėjimo).

Rinkinyje esantys priedai:

Nuotolinio valdymo pultas – 1 vnt.
 Elementai nuotolinio valdymo pultui – 1 pora
 Naudojimo instrukcija – 1 vnt.
 Garantinis lapas – 1 vnt.
 Garso laidas (3,5 mm RCA stereo) – 1 vnt.
 Kabelis kolonėlėms prijungti: RCA į RCA su viena jungtimi – 1 vnt.
 AC/DC adapteris – 1 vnt.

POMEMBNA POROČILA O VARNOSTI**Pozor:**

Da bi zmanjšali nevarnost električnega udara, ne razstavljajte pokrova in zadnjega dela naprave. Znotraj naprave ni elementov, ki bi jih lahko uporabnik samostojno popravil. Vzdrževalna dela in popravila lahko opravljajo le usposobljeni serviserji.

Razlaga grafičnih simbolov:

Simbol strele s puščico na koncu, v enakostraničnem trikotniku opozarja uporabnika na neizolirano »nevarno napetost« v ohišju naprave. Napetost lahko doseže vrednost, ki predstavlja tveganje električnega udara.



Klicaj v enakostraničnem trikotniku opozarja uporabnika na pomembne informacije o uporabi in vzdrževanju naprave, ki jih vsebuje dokumentacija, priložena napravi.

Prosimo, da pred uporabo naprave preberete ta navodila, da bi se seznanili s funkcijami naprave in jo uporabljali skladno z namenom. S tem lahko zagotovite dolgotrajno, nemoteno in prijetno uporabo naprave.

Pomembni podatki

- Shranite ta navodila za uporabo in poročila o varnosti, ker jih boste lahko potrebovali v prihodnosti.
- Ne dovolite, da se na napravo razlije oziroma nanjo kaplja tekočina.
- Naprave ne uporabljajte v vlažnih prostorih, kot je na primer kopalnica.
- Naprave ne smete namestiti na naslednji način:
- Naprava ne sme biti izpostavljena neposrednemu vplivu sončnih žarkov oz. se ne sme nahajati v bližini grelcev.
- Naprava se ne sme postaviti na drugo stereofonsko napravo, ki oddaja toploto.
- Naprava ne sme ovirati prezračevanja oz. se ne sme nahajati v zaprašenem prostoru.
- Naprava ne sme biti izpostavljena stalnim vibracijam.
- Naprava se ne sme nahajati v prostorih z visoko vlažnostjo.
- Naprava se ne sme nahajati v bližini sveč ali odprtega ognja.
- Napravo uporabljajte le na način, opisan v teh navodilih.
- Pred prvim vklopom napajanja se je treba prepričati, da je napajalnik pravilno prikljopen.
- USB-spomin se priklopi neposredno oz. s pomočjo USB-podaljška dolžino do 25 cm.

Zaradi varnosti ni dovoljeno razstavljanje ohišja oz. pronicanje v notranjost naprave. Napravo lahko popravi le usposobljeno servisno osebje.

Ne razstavljajte in ne odpirajte ohišja naprave, kajti noter ni delov, ki bi jih lahko popravil uporabnik. Vzdrževalna dela in popravila lahko opravljajo le usposobljeni serviserji.

POROČILA O VARNOSTI

1. Preberite navodila za uporabo – pred uporabo naprave je treba prebrati vsa navodila za uporabo in poročila o varnosti.
2. Shranite navodila za uporabo – navodila za uporabo je treba shraniti za primer kasnejše uporabe.
3. Upošteвайте opozorila – ukrepajte skladno z vsemi opozorili, ki jih vidite na napravi ter z opozorili, omenjenimi v navodilih za uporabo.
4. Sledite navodilom – ukrepajte skladno z navodili za uporabo in navseti za uporabnika.
5. Namestitev – napravo postavite skladno s proizvajalčevimi navodili.
6. Viri napajanja – napravo napajajte izključno iz virov, ki odgovarjajo parametrom, navedenim na napajalnem kablu. Če niste prepričani, kakšno napajanje imate doma, obrnite se na prodajalca naprave oz. lokalnega dobavitelja električne energije.
7. Ozemljitev in polarizacija napajanja – napravo lahko uporabljate brez ozemljitve. Prepričajte se, da je vtič v celoti nameščen v omrežni vtičnici oz. podaljšku, tako da se stiki ne vidijo. Nekatere različice naprave so lahko opremljene s polariziranim vtičem za izmenični tok (en stik je debelejši). Takšen vtič lahko vklopite v omrežno vtičnico le na en način. To je zavarovalna funkcija. Če vtiča ne morete vklopiti v vtičnico, ga poskusite obrniti. Če se vtič še vedno ne ujema z vtičnico, naj vam jo električar zamenja. Zavarovanje iz polariziranega vtiča ne smete odstranjevati. Če uporabljate podaljšek ali napajalni kabel, ki nista priložena napravi, se prepričajte, da imata ustrezne vtiče in potrdilo o varnosti, ki se zahteva v določeni državi.
8. Zavarovanje napajalnega kabla – napajalni kabel je treba namestiti na način, ki omejuje nevarnost potepanja, pritiskanja oz. naključnega razrezanja. Bodite posebej pozorni na vtiče, omrežne vtičnice in mesta, kjer kabli izhajajo iz naprave.
9. Preobremenitev – preobremenitev zidnih vtičnic, podaljškov in električnih razdelilnikov ni dovoljena, saj lahko to privede do požara ali električnega udara.
10. Prezračevanje – napravo je treba pravilno prezračevati. Ne postavite je na posteljo, kavč ali podobne površine. Ne prekrivajte je s prti, robci, revijami idr.
11. Toplota – naprave ne postavite v bližino virov toplote, kot so grelci, sevalniki, peči in druge naprave (tudi ojačevalniki), ki oddajajo toploto. Na napravo ne postavite gorečih svečk in drugih virov odprtega ognja.
12. Voda in vlaga – da bi zmanjšali tveganje požara ali električnega udara, naprave ne izpostavite neposrednemu vplivu dežja, vode in vlage, na primer ne postavite je v savni ali kopalnici. Te naprave ne smete uporabljati v bližini vode, na primer zavrni kadi, umivalnika, korita oz. škafo, v vlažni kleti oz. v bližini bazena (in podobnih mest).
13. Predmeti in tekočine v napravi – skozi odprtine v napravi ne potiskajte nobenih predmetov, saj se tisti predmeti lahko dotaknejo točk z nevarno napetostjo in s komponentami, kar lahko privede do požara oz. električnega udara. Nikakor ne razlize nobenih tekočin na površino naprave. Na napravo ne smete postaviti predmetov, ki vsebujejo tekočine.

14. Čiščenje – preden začnete s čiščenjem, napravo vedno odklopite iz omrežne vtičnice. Prah, ki je okoli zvočnika, lahko obrišete s suho krpo. Če za čiščenje uporabljate aerosol, razpršilo usmerite na krpo, ne pa neposredno na napravo. Pazite, da se ne poškodujejo pogonske enote.
15. Dodatna oprema – ne uporabljajte pripomočkov, ki jih proizvajalec ne potrdi, ker lahko predstavljajo nevarnost.
16. Pripomočki – naprave ne postavite na nestabilen voziček, stojalo, stativo, konzolo ali mizo. Naprava se lahko prevrne in poškoduje, lahko tudi hudo poškoduje otroka ali odraslo osebo. Uporabite le vozičke, stojala, stative, konzole in mize, ki jih priporoča proizvajalec oz. ki se prodajajo skupaj z napravo. Namestitvev naprave mora potekati skladno z navodili proizvajalca, ob uporabi montažnega seta, ki ga priporoča proizvajalec.
17. Prestavljanje naprave – napravo postavite na voziček in zelo previdno prestavite. Nenadna ustavitve vozička, prevelika moč oz. neravne površine lahko pripeljejo do prevrnitve vozička z napravo.
18. Obdobje mirovanja naprave – napajalni kabel je treba odklopiti iz omrežne vtičnice v primeru neviht s strelami oz. ko naprave ne boste dlje časa uporabljali.
19. Servisiranje - naprave ne smete servisirati samostojno. Po odpiranju ohišja je uporabnik izpostavljen visoki napetosti in drugi nevarnosti. Vzdrževalna dela in popravila lahko opravljajo le usposobljeni serviserji.
20. Ko naprave ne uporabljate, odklopite njen vtič iz omrežne vtičnice. Ko je naprava priključena na vir napajanja, ni nikoli popolnoma izklopljena, vendar je v stanju pripravljenosti.
21. Nadomestni deli – ob zamenjavi delov je treba preveriti, ali je serviser uporabil nadomestne dele proizvajalca oz. ali nadomestni deli ustrezajo originalnim delom. Uporaba nepotrjenih delov lahko privede do požara, električnega udara oz. drugih nevarnih razmer.
22. Glavne varovalke – da bi napravo trajno zavarovali pred požarom, uporabite varovalke ustrezne vrste in parametrov. Parametri varovalk glede napetosti so označeni na napravi.
23. Ne povečajte glasnosti ob poslušanju tihega posnetka oz. ko ni vhodnega zvočnega signala. Z nenadnim povečanjem intenzitete signala lahko poškodujete zvočnik.
24. Edini način popolnega odklopa naprave iz vira napajanja je odklop napajalnega kabla iz omrežne vtičnice oz. iz naprave. Omrežna vtičnica oz. vhod za napajalni kabel morata biti vedno dostopna med uporabo naprave.
25. Napravo je treba postaviti v bližini omrežne vtičnice oz. podaljška, na tak način, da je vtičnica vedno dostopna.
26. Maksimalna temperatura v prostoru, kje je naprava, je 35 °C.
27. Nasveti glede električnih razelektritev – če delovanje naprave motijo električne razelektritve, je treba napravo izklopiti in ponovno vklopiti oz. jo prestaviti na drugo mesto.
28. Baterija
- a. Baterije ne smejo biti izpostavljene vplivu prekomerne toplote, npr. sončnih žarkov, ognja idr.
- b. Pri odstranjevanju baterij je treba biti posebno pozoren na okoljevarstvena vprašanja.
- c. Opozorilo glede uporabe baterije: da se prepreči puščanje baterije, ki lahko privede do poškodb telesa oz. naprave:
- Ob namestitvi baterij pazite na polarizacijo (+ in -).
 - Skupaj ne smete uporabljati novih in starih baterij, standardnih in alkalnih idr.
 - Če naprave več časa ne uporabljate, odstranite baterije.

OPOZORILO

- Naprave ne smejo uporabljati osebe (vključno z otroki) z zmanjšano fizično, senzorično ali mentalno sposobnostjo ali brez izkušenj oz. znanja, razen če so pod nadzorom osebe, ki je odgovorna za njihovo varnost, oz. če so se poučile z navodili o varni uporabi naprave. Prisotnost odraslih je obvezna, če napravo uporabljajo otroci. S tem se lahko zagotovi varna uporaba naprave.
1. Vključene naprave ne smete pustiti brez nadzora! Napravo izklopite, tudi če naprava le nekaj časa počiva.
 2. Naprave ne smete uporabljati preko zunanje ure s časovnim sistemom oz. preko ločenega sistema z daljinskim upravljanjem.
 3. Da bi se izognili nevarnosti v primeru poškodovanja napajalnega kabla, zamenjave lahko opravi le proizvajalec, pooblaščen servisno podjetje oz. ustrezno usposobljen strokovnjak.
 4. Pred začetkom uporabe naprave je treba preveriti, ali napetost naprave ustreza napetosti lokalnega električnega omrežja.
 5. Prežacevalnih odprtin ne prekrivajte, npr. z revijami, prti, zavesami idr. Prepričajte se, da je nad napravo ohranjenega najmanj 20 cm prostega prostora, na straneh pa vsaj 5 cm.
 6. Ne dovolite, da na napravo kaplja oz. da se nanjo razlije tekočina, na napravo ne postavite predmetov s tekočino, npr. vaz.
 7. Da se prepreči nastajanje požara ali nevarnost električnega udara, napravo zaščitite pred vročino, vplivom dežja, vlage in praha.
 8. Naprave ne postavite v bližini katerih koli virov vode, npr. umivalnikov, kadi, pralnih strojev oz. bazenov. Napravo postavite na ravno in stabilno podlago.
 9. Naprave ne izpostavite močnemu magnetnemu polju.
 10. Naprave ne postavite neposredno na ojačevalnik ali sprejemnik.
 11. Naprave ne postavite na vlažno mesto, ker ima vlaga negativni vpliv na električne komponente.
 12. Ko napravo prestavite iz hladnega prostora v toplej oz. vlažen prostor, lahko pride do kondenzacije vlage na leči znotraj predvajalnika. To lahko povzroči nepravilno delovanje naprave. Napravo pustite vklopljeno vsaj na eno uro, da vlaga izpari.
 13. Naprave ne čistite s kemijskimi topili, ker se lahko na ta način poškoduje lakirana površina ohišja. Napravo obrišete s čisto, suho oz. rahlo navlaženo krpicco.
 14. Med odklopom vtiča iz omrežne vtičnice je treba vedno vleči za vtič, nikoli za napajalni kabel.
 15. Ko se vklopljena naprava uporablja v bližini vklopljenega TV-ja, lahko pride do motenj slike v obliki črt na zaslonu. To je odvisno od valov TV-prenosa. To ne pomeni, da naprava oz. TV ne delujeta pravilno. Če se vidijo črte, premaknite napravo stran od TV-ja.
 16. Omrežni vtič se uporablja za odklop napajanja in zato mora biti vedno dostopen.
 17. Da bi preprečili nevarnost izgube sluha, glasne glasbe ne poslušajte dlje časa.



POZOR**Izjava**

S tem Blaupunkt Competence Center 2N-Everpol Sp. z o.o. izjavlja, da je ta naprava v skladu z zahtevami in drugimi ustreznimi določili uredbe 2014/53/EU. Celotno izjavo o skladnosti si lahko ogledate na spletni strani www.blaupunkt.com v zavihku izdelka.

Odgovorni subjekt: 2N-Everpol Sp. Z o.o.
Puławska 403A, 02-801 Warszawa, Polska
Telefon: +48 22 688 08 00,, e-naslov: info@everpol.pl



Naprava je izdelana iz visokokakovostnih materialov ter komponent, ki se lahko reciklirajo in ponovno uporabijo.



Če je na vaši napravi simbol prečrtanega smetnjaka, to pomeni, da je izdelek zajet v določbah evropske direktive 2012/19/EU. Na podlagi tega upoštevajte lokalne predpise in se seznanite z zahtevami za vaš lokalni sistem zbiranja električnih in elektronskih odpadkov ter jih, v primeru tega izdelka, upoštevajte.

TEGA IZDELKA NE ODVRŽITE Z GOSPODINJSKIMI ODPADKI!
TA IZDELEK VSEBUJE NEVARNE SNOVI, ZMESI IN KOMPONENTE, KI SO LAHKO V ČE NISO DOVOLJENE VIR POTENCIALNIH UČINKOV NA NARAVNO OKOLJE IN ZDRAVJE LJUDI!

Pravilno odlaganje uporabljenega izdelka bo preprečilo negativne vplive na okolje in zdravje ljudi.



Naprava je opremljena z baterijo, ki jo določa evropska smernica 2006/66/EC. Baterija se ne sme odstranjevati skupaj z gospodinjstvi odpadki. Treba se je seznaniti z lokalnimi predpisi za ločeno zbiranje odpadnih baterij, ker le ustreznost odstranitvev preprečuje morebitne negativne učinke za okolje in človekovo zdravje.

Podatki za varovanje okolja

Komplet vsebuje samo potrebne elemente. Prizadevali smo si, da bodo vsi trije elementi embalaže lahko odstranljivi: karton (škafka), polistirenska pena (zunanjaa zaščita) in polietilen (vreče, zaščitna plast). Naprava je izvedena iz materialov, ki se lahko reciklirajo, ter jih lahko po demontaži s strani strokovnega podjetja ponovno uporabljamo. Upoštevati je treba lokalne predpise za odstranjevanje embalaž, porabljenih baterij ter nepotrebnih naprav. Za zapisovanje in predvajanje je treba obvezno pridobiti soglasje. Glej Zakon o avtorskih pravicah in pravicah izvajalcev/umetnikov.

Opomba glede ERP2 (naprav, povezanih z energijo)

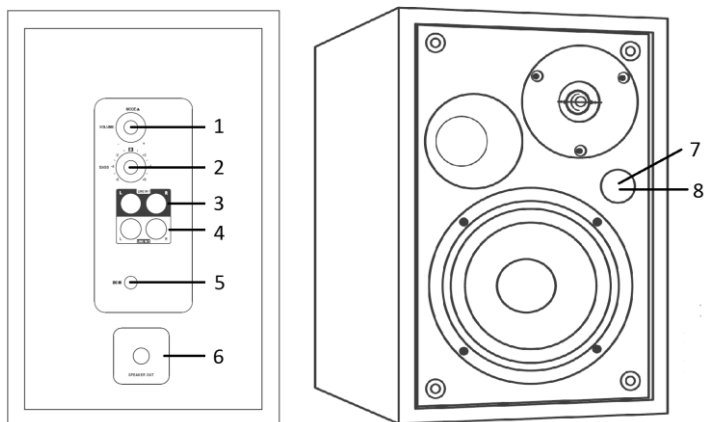
Ta naprava z ekonačrtom izpolnjuje zahteve 2. etape Uredbe Komisije (ES) št. 1275/2008 o izvajanju Uredbe 2009/125/ES glede porabe energije o vzpostavitvi okvira za določanje zahtev za primerno okoljsko zasnovane izdelke, povezane z energijo.



Podjetje Bluetooth SIG, Inc. USA je lastnik blagovnih znamk in logotipa Bluetooth®. Za uporabo teh znamk in logotipa se zahteva licenca. Druge znamke in trgovska imena so v lasti ustreznih lastnikov.

Zahvaljujemo se Vam za nakup našega modela. Prosimo, da pred uporabo naprave natančno preberete ta navodila in se seznanite z vsebino v njih. Shranite ta navodila za kasnejšo uporabo.

Razmeščenost elementov upravljanja z napravo



1. Gumb za vklop/nastavitev glasnosti/izbiro načina predvajanja: na kratko pritisnite gumb, da vklopite enoto po prvem priklopu na napajanje; pritisnite gumb in pridržite 3 sekunde, da preklopite enoto v način pripravljenosti; večkrat na kratko pritisnite gumb, da spremenite način predvajanja; obrnite gumb, da prilagodite glavno glasnost.

2. Gumb za uravnavanje nizkih tonov: obrnite ga, da povečate ali zmanjšate raven nizkih tonov.

3. Vtičnica za linijski vhod RCA 1

4. Vtičnica za linijski vhod RCA 2

5. Vtičnica za enosmerni tok.

6. Priključek za izhod zvočnika: povežite ga s satelitskim zvočnikom za stereo stereo način.

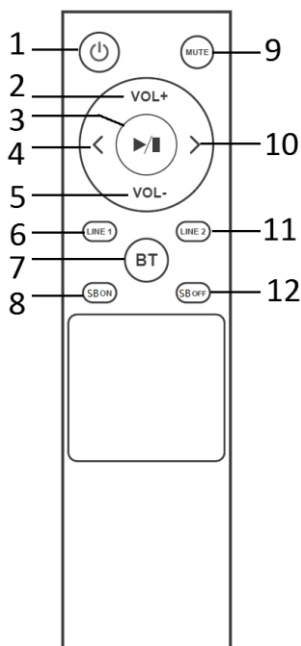
7-8: Infrardeči senzor za daljinski upravljalnik in okence z indikatorsko LED-lučko:

Rdeča barva: v načinu pripravljenosti.

Modra barva: v načinu Bluetooth.

Svetlo modra barva: v načinu linijskega vhoda 1.

Rumena barva: v načinu linijskega vhoda 2.



Daljinski upravljalnik:

1. Tipka za vklop: pritisnite jo, da enoto preklopite v način pripravljenosti.

2,5- Tipka za glasnost +/-: pritisnite jo, da prilagodite izhodno glasnost.

3- Predvajanje/ustavitev: pritisnite, da predvajate ali ustavite zvok v načinu Bluetooth.

4,10 Tipka Predhodna/Naslednja: pritisnite, da v načinu Bluetooth preklopite med predhodno in naslednjo skladbo.

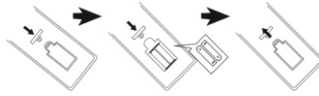
6,7,11- Tipka za izbiro: linijski vhod 1/Bluetooth/linijski vhod 2: pritisnite jo, da preklopite neposredno na ustrezen način predvajanja.

8,12- Tipka za vklop/izklop funkcije Super bass: pritisnite jo, da vklopite ali izklopite funkcijo super basov.

9- Tipka za utišanje: pritisnite, če želite utišati zvočnik; pritisnite ponovno, če želite vzpostaviti predvajanje.

Namestitev baterijskih vložkov daljinskega upravljalnika

Odprite prostor za baterije in vložite vanj 2 bateriji AAA (priloženi); zagotovite, da bosta vložka vstavljena skladno s simboloma plus in minus, odtisnjenima v prostoru za baterije. Nato zaprite prostor za baterije.

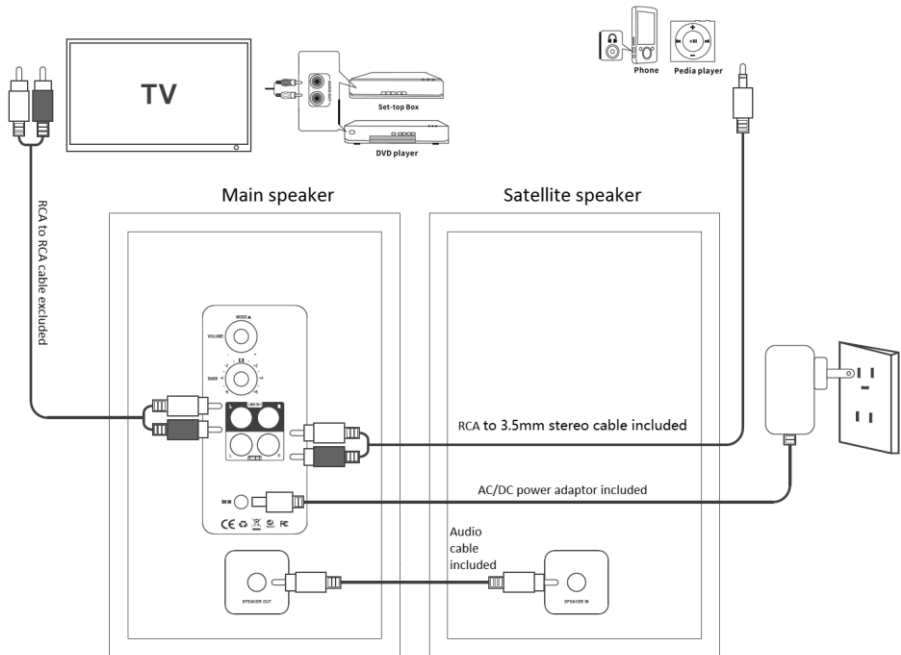


Opozorila:

- Najboljša delovna razdalja za daljinski upravljalnik je 5 metrov, brez ovir med daljinskim upravljalnikom in Soundbar. Pri uporabi je treba daljinski upravljalnik usmerjati proti senzorju na sprednji strani Soundbarja.
- Občutljivost daljinskega upravljalnika se zmanjša, ko se baterije izpraznejo. V takem primeru jih je treba zamenjati z novimi.
- Če daljinskega upravljalnika ne boste dlje časa uporabljali, je treba odstraniti baterije iz njega.
- Baterije odstranite iz uporabe na okolju prijazen način. Za podrobne informacije se seznanite z zahtevami lokalnih predpisov.

Priključitev glavnega in satelitskega zvočnika: Pred vklopom zvočnikov jih najprej povežite s priloženim RCA za RCA (enojni priključek) avdio kablom, en vtič kabla priključite v vtičnico glavnega zvočnika, drugega pa v vtičnico satelitskega zvočnika.

Priklp na napajanje: Priloženi napajalnik AC/DC priključite v gospodinjstvo vtičnico za AC tok, da dobite vir napajanja, nato pa vtič napajalnika DC priklopite na vtičnico za napajanje na zadnjem panelu glavnega zvočnika. Zvočnik bo nato prešel v način pripravljenosti in bo pripravljen za uporabo. S kratkim pritiskom na gumb za vklop napajanja na zadnjem panelu glavnega zvočnika ali na daljinskem upravljalniku vklopite zvočnike. Z dolgim pritiskom (3 sekunde) nagumb za vklop napajanja na zadnjem panelu ali kratkim pritiskom na tipko za vklop na daljinskem upravljalniku lahko zvočnike preklpite vklopiti stanje pripravljenosti.



Ta model se povezuje z zunanji napravami, kot so televizor, TV dekodec, predvajalnik DVD, predvajalnik Blu-ray DVD, predvajalnik MP3 itd.

Zvočnik ima 2 analogna vhoda RCA (linijski vhod) za različne vire. Na zgornji sliki si preverite, kako lahko na ta model priključite zunanje naprave. Priložen je stereo kabel RCA-minijack 3,5 mm.

Uporaba Bluetooth

Ta izdelek vključuje funkcijo Bluetooth, ki omogoča brezžično predvajanje glasbe iz drugih naprav Bluetooth (npr. pametnih telefonov, tabličnih računalnikov, televizorjev itd.).

1. Vključite napravo, pritisnite tipko za izbiro načina na zadnjem panelu ali tipko Bluetooth na daljinskem upravljalniku, da preklopite na način Bluetooth. V okencu LED bo utripala modra LED-dioda, kar pomeni, da je naprava je pripravljena za seznanjanje.
2. Na zunanji napravi (npr. pametnem telefonu) vključite funkcijo Bluetooth in poiščite naprave, ki so na voljo za seznanjanje (preverite navodila za uporabo zunanje naprave), nato na seznamu preverite naprave Bluetooth, ki so na voljo. Za seznanjanje izberite »BP BS40«. Po uspešnem seznanjanju se bo modra LED-dioda na tem modelu prižgala.
3. Izberite in predvajajte glasbo iz naprave Bluetooth, ustrezno prilagodite glasnost in zvok se bo začel predvajati prek tega modela.
4. V načinu Bluetooth lahko s pritiskom na ustrezno tipko na daljinskem upravljalniku izvajate operacije, kot so izbira predhodne/naslednje skladbe, predvajanje/ustavitev, utišanje zvoka itd.

Opozorila:

- a. Zaradi različnih konstrukcij modelov in raznolikosti blagovnih znamk ni mogoče zagotoviti, da se bodo vse naprave Bluetooth pravilno seznanile.
- b. Najdaljši doomet Bluetooth znaša 10 metrov, če ni ovir med napravami.
- c. Naprava se lahko hkrati seznanja in deluje le z eno napravo Bluetooth.
- d. Ob prihajajočem klicu med predvajanjem preko Bluetooth se predvajanje glasbe za trenutek prekine in nato obnovi po končanem telefonskem pogovoru.

Povezava Bluetooth s televizorjem: Če ima televizor funkcijo Bluetooth, lahko ta model brezžično predvaja zvok iz televizorja. V nastavitvah televizorja aktivirajte funkcijo Bluetooth in poiščite napravo z imenom »BP BS40«, da jo povežete. Za podrobnosti glejte navodila za uporabo televizorja.

Reševanje problemov

1. Zvočnika ni možno vklopiti.
 - a. Preverite, ali je priključitev na napajanje pravilna.
2. Ni zvoka.
 - a. Poskusite prilagoditi glasnost, preverite tipko utišanja zvoka in vira predvajanja.
 - b. Če s tem težave ne odpravite, se za pomoč obrnite na servisni center.
3. Popačenost zvoka.
 - a. Poskusite predvajati glasbo z nižjo glasnostjo.
 - b. Preverite stanje nastavitve visokih in nizkih tonov.
 - c. Poskusite znižati glasnost na zunanji napravi, kot je npr. televizor ipd.
4. Prekinitev zvoka v načinu Bluetooth.
 - a. Poskusite prestaviti napravo Bluetooth bliže zvočniku.

Specifikacije

Splošno

Napajanje: DC IN 19 V/1,65 A
 Poraba energije (vključena naprava): xxx W (v načinu delovanja)
 Poraba moči v stanju pripravljenosti: < 0,5W
 Izhodna moč RMS: 2 x 20 W
 Celotno harmonsko popačenje: < 1 % (1 kHz, 1 W)
 Občutljivost avdio vhoda: LINE IN 1: 550mV, LINE IN 2: 750mV
 Val prenosa: 45 Hz – 20 KHz; S/R: ±80 dB
 Poslušanje glasbe preko USB: MP3/WAV/WMA (predvajanje vseh datotek ni garantirano)
 Največja zmogljivost pomnilnika USB: 32 GB
 Dimenzije naprave: 155 x 248 x 175 mm (š x v x g)
 Vhodi: 2 x linijski vhod RCA

Zvočniki (velikost/impedanca)

Visokotonski zvočnik: 1,25"/4 Ω
 Impedanca nizkotonskega zvočnika: 4"/4 Ω

Bluetooth

Različica Bluetooth: V5.3
 Domet: približno 10 metrov
 Frekvenca prenosa: 2,402~2,480GHz
 Protokoli: 2DP/AVCTP/AVDTP/AVRCP/GAVDP/HFP/HID/OPP/RFCOMM/SP
 A2DP/AVRCP
 (Opomba: specifikacije izdelka se lahko spremenijo brez predhodnega obvestila).

Priloženi dodatki:

Daljinski upravljalnik x 1 kos.
 Baterija za daljinski upravljalnik x 1 par
 Navodila za uporabo x 1 kos.
 Garancijski list x 1 kos.
 Avdio kabel (3,5 mm stereo za RCA) x 1 kos.
 Kabel za priključitev zvočnikov: RCA za RCA z enojnim priključkom x 1 kos.
 Napajalnik AC/DC x 1 kos.

Svarīgas drošības instrukcijas



Brīdinājums:

Lai samazinātu elektrošoka risku, nedrīkst demontēt ierīces vāku un tās aizmugurējo daļu. Ierīces iekšā nav elementu, ko lietotājs var patstāvīgi remontēt. Ierīces tehnisko apkopi un remontu var veikt tikai kvalificēti servisa centra darbinieki.

Grafisko simbolu paskaidrojums:



Zibens simbols ar bultīņu galā vienādmalu trijstūrī brīdina lietotāju par neizolētu "bīstamu spriegumu" ierīces korpusa iekšā, kas var sasniegt līmeni, radot elektrošoka risku.



Izsaukuma zīme vienādmalu trijstūrī brīdina lietotāju, ka šajā brīdī tiek sniegta svarīga informācija par ierīces lietošanu un tehnisko apkopi, kas ietverta ierīcei pievienotajā dokumentācijā.

Izlasiet šo instrukciju pirms ierīces lietošanas sākšanas, lai iepazītos ar ierīces funkcijām un izmantotu tās atbilstoši paredzētajam mērķim. Tas nodrošinās ilglaicīgu un nevainojamu ierīces darbību un patikamu lietošanu.

Svarīga informācija

- Saglabājiet lietošanas instrukciju un informāciju par drošību turpmākai izmantošanai.
- Nepieļaujiet šķidruma pilēšanu vai izliešanu uz ierīces. Ierīci nedrīkst arī lietot mitrās vietās, piemēram, vannas istabā.
- Šo ierīci nedrīkst uzstādīt šādās vietās:
- vietās, kas pakļautas tiešai saules staru iedarbībai, vai radiatoru tuvumā;
- novietojot to uz cita stereoaprikojuma, kas rada siltumu;
- bloķējot ventilāciju vai putekļainā vietā;
- vietās, kas pakļautas nepārtrauktām vibrācijām;
- vietās ar augstu mitruma līmeni.
- Ierīci nedrīkst uzstādīt sveču vai atklātas uguns tuvumā.
- Ierīci var lietot tikai šajā instrukcijā aprakstītajā veidā.
- Pirms ierīces pirmās ieslēgšanas reizes pārliecinieties, ka barošanas bloks ir pareizi pievienots.
- Pievienojiet USB atmiņu tiešā veidā vai izmantojot 25 cm garu USB pagarinātāju.

Drošības apsvērumu nedrīkst demontēt korpusus un iekļūt ierīces iekšpusē. Ierīces remonts jāveic kvalificētam servisa centra personālam.

Neizjauciet ierīci un neatveriet tās korpusu, jo tas iekšā nav nekādu elementu, ko lietotājs var remontēt patstāvīgi. Ierīces tehnisko apkopi un remontu var veikt tikai kvalificēti servisa centra darbinieki.

DROŠĪBAS INSTRUKCIJAS

- 1. Izlasiet instrukcijas** — pirms ierīces lietošanas sākšanas izlasiet visu lietošanas instrukciju un informāciju par drošību.
- 2. Saglabājiet instrukcijas** — saglabājiet lietošanas instrukcijas turpmākai izmantošanai.
- 3. Ievērojiet brīdinājumus** — ievērojiet visus brīdinājumus, kas sniegti uz ierīces, un lietošanas instrukcijas.
- 4. Ievērojiet instrukciju** — ievērojiet lietošanas instrukciju un norādījumus lietotājam.
- 5. Uzstādīšana** — uzstādiet ierīci atbilstoši ražotāja instrukcijām.
- 6. Barošanas avoti** — ierīcei ir jābūt barotai tikai no avotiem ar parametriem, kas norādīti marķējumā uz barošanas kabeļa. Ja lietotājs nav pārliecināts, kāda veida barošanas avots ir viņa mājās, viņam ir jāsazinās ar ierīces pārdevēju vai vietējo elektroenerģijas piegādātāju.
- 7. Barošanas avota izemēšana vai polarizācija** — ierīcei nav jābūt izemētai. Pārliecinieties, ka kontaktdakša ir pilnībā ievietota elektrotīkla kontaktligzdā vai pagarinātājā, lai nepieļautu kontakttapu vai kontaktu atklāšanu. Dažas ierīces versijas var būt aprīkotas ar polarizētu mainstrāvas kontaktdakšu (ar vienu platāku kontakttapu). Šo kontaktdakšu var pievienot elektrotīkla kontaktligzdai tikai viena veidā. Tā ir aizsardzības funkcija. Ja kontaktdakšu nav iespējams ievietot kontaktligzdā, mēģiniet to apgriezt otrādi. Ja kontaktdakša joprojām neatbilst kontaktligzdai, uzdodiet tās nomainīt elektrīķim. Nenovietojiet aizsargus no polarizētās kontaktdakšas. Izmantojot pagarinātāju vai citu barošanas vadu, kas neietilpst ierīces komplektā, tiem ir jābūt atbilstošām kontaktdakšām un drošības sertifikātam, kas nepieciešams noteiktā valstī.
- 8. Barošanas kabeļa aizsargs** — novietojiet barošanas kabeļus tā, lai nebūtu iespējams staigāt pa tiem, saspiest vai sagriezt tos ar citiem priekšmetiem. Pievērsiet īpašu uzmanību kontaktdakšām, elektrotīkla kontaktligzdām un vietām, kur kabeļi tiek izvadīti no ierīces.
- 9. Pārslodze** — nepārslogojiet sienas kontaktligzdas, pagarinātājus un elektriskos sadalītājus, jo tas var izraisīt ugunsgrēku vai elektrošoku.
- 10. Ventilācija** — ierīcei jābūt atbilstoši vēdinātai. Ierīci nedrīkst uzstādīt uz gultas, dīvāna vai līdzīgām virsmām. Ierīci nedrīkst aizseg ar galdautiem, salvetēm, avizēm utt.
- 11. Siltums** — neuzstādiet ierīci siltuma avotu, piemēram, radiatoru, sildītāju, krāšņu vai citu ierīci (tostarp pastiprinātāju), kas rada siltumu, tuvumā. Neuzstādiet aizdegta sveces un citus atklātas uguns avotus uz ierīces.
- 12. Ūdens un mitrums** — lai samazinātu ugunsgrēka vai elektrošoka risku, nepakļaujiet ierīci tiešai lietus, ūdens un mitruma iedarbībai, piemēram, pirti vai vannas istabā. Nelietojiet šo ierīci ūdens tuvumā, piemēram, vannas, izlietnes, virtuves izlietnes vai veļas tovera tuvumā, mitrā pagrabā vai pelnbāseina tuvumā (vai līdzīgās vietās).
- 13. Priekšmeti un šķidrums ierīcē** — neievietojiet nekādus priekšmetus cauri ierīces atverēm, jo tie var saskarties ar vietām zem bīstamā sprieguma un detaļām, kas var izraisīt ugunsgrēku vai elektrošoku. Nekādā gadījumā nedrīkst izliet nekādus šķidrumus uz ierīces virsmas. Uz ierīces augšpusē nedrīkst novietot priekšmetus, kas satur šķidrumus.

14. Tīrīšana — pirms ierices tīrīšanas vienmēr atvienojiet to no elektrotīkla kontaktligzdas. Putekļus ap skaļruni var ņemt ar sausu lupatīni. Ja tīrīšanai ir jāizmanto aerosols, nevērsiet izsmidzināmo strūklu tieši pret ierīci, bet gan uz lupatīni. Pievērsiet uzmanību tam, lai nesabojātu piedziņas vienības.

15. Papildaprīkojums — nedrīkst lietot piederumus, ko ražotājs nav apstiprinājis, jo tie var radīt risku.

16. Piederumi — ierīci nedrīkst uzstādīt uz nestabiliem ratiņiem, statīva, balsta vai galdā. Ierīce var apgāzties, sabojāties un radīt nopietnas traumas bērnam vai pieaugušajam. Izmantojiet tikai ratiņus, statīvus, balstus un galdus, ko norādījis ražotājs vai kas tiek pārdoti kopā ar ierīci. Ierices salikšana ir jāveic atbilstoši ražotāja instrukcijām, izmantojot ražotāja ieteikto montāžas komplektu.

17. Ierices pārvietošana — pārvietojiet ierīci, kas novietota uz ratiņiem, ļoti piesardzīgi. Pēkšņa apstāšanās, pārmērīgs spēks vai nelīdzsvarotība var izraisīt ratiņu ar ierices apgāšanos.

18. Ierices nelietošanas laiks — atvienojiet barošanas kabeli no elektrotīkla kontaktligzdas pērkona negaisa laikā vai ja ierīce netiks lietota ilgāku laiku.

19. Tehniskā apkope un remonts — nemēģiniet patstāvīgi veikt ierices apskati. Vāka atvēršana var izraisīt saskari ar bīstamu spriegumu un citā veidā apdraudēt lietotāju. Ierices tehnisko apkopi un remontu var veikt tikai kvalificēti servisa centra darbinieki.

20. Ja ierīce netiek lietota, atvienojiet tās kontaktkabeļus no elektrotīkla kontaktligzdas. Ja ierīce ir pievienota barošanas avotam, tā ir gaidstāves režīmā un nav pilnīgi izslēgta.

21. Rezerves daļas — nomainiet ierices daļas pret jaunām, pārliecinieties, ka servisa centra darbinieks ir izmantojis ražotāja ieteiktās rezerves daļas vai ka tās ir identiskas oriģinālajām daļām. Daļas nomaina pareizi veikt, izmantojot neapstiprinātas daļas, var izraisīt ugunsgrēku, elektrošoku vai citus riskus.

22. Galvenie drošinātāji — lai nodrošinātu nepārtrauktu ierices aizsardzību pret uguni, izmantojiet drošinātājus ar atbilstošu tipu un parametriem. Drošinātāju parametri noteiktā sprieguma diapazonā ir norādīti uz ierices.

23. Nepaaugstiniet skaļumu, klausoties dziesmas fragmentu ar zemu skaļumu vai ja nav ieejas audio signāla. Pretējā gadījumā signāla intensitātes straujā paaugstināšanās var izraisīt skaļruņa bojājumu.

24. Vienīgais veids, kā pilnībā atvienot ierīci no barošanas avota, ir atvienot barošanas kabeli no barošanas kontaktligzdas vai ierices. Elektrotīkla kontaktligzdai vai barošanas kabeļa ieejai ierīcē ir vienmēr jābūt pieejamām ierices lietošanas laikā.

25. Ierīce ir jānovieto elektrotīkla kontaktligzdas vai pagarinātāja tuvumā tā, lai tie vienmēr būtu pieejami.

26. Maksimālā temperatūra ierices apkārtņē ir 35 °C.

27. Norādījumi par elektrostatiskajām izlādēm — ja ierices darbību traucē elektrostatiskās izlādes, izslēdziet ierīci un atkārtoti ieslēdziet to vai pārvietojiet ierīci citā vietā.

28. Baterija

a. Baterijas nedrīkst pakļaut pārmērīga siltuma, piemēram, saules staru, uguns un tml. iedarbībai.

b. Utilizējot baterijas, pievērsiet uzmanību apkārtējās vides aizsardzības aspektiem.

c. Brīdinājums par bateriju lietošanu: lai novērstu baterijas noplūdi, kas var izraisīt traumas vai ierices bojājumus:

- ievietojot bateriju, ņemiet vērā tā polaritāti (+ un -);
- nedrīkst vienlaicīgi lietot dažāda veida baterijas — vecās un jaunās, standart un sārma baterijas utt.;
- izņemiet baterijas no ierices, kad tā netiek lietota ilgāku laiku.

Piezīmes par ERP2 (ar enerģiju saistītām iekārtām)

Šī ekodizaina ierīce atbilst Komisijas Regulas (EK) Nr. 1275/2008, ar ko īsteno Eiropas Parlamenta un Padomes Direktīvu 2005/32/EK iestrādātās ekodizaina prasības attiecībā uz elektrisko, elektronisko mājaisaiņniecības un biroja iekārtu elektroenerģijas patēriņu gatavības un izslēgtā režīmā, 2. posma prasībām.

Pēc 30 minūtēm bez ieejas audio signāla ierīce automātiski pāriet gaidstāves režīmā. Informāciju par normālas darbības atjaunošanu var atrast lietošanas instrukcijā.

Svarīga informācija

Šī ierīce ir aprīkota ar enerģijas taupīšanas režīma funkciju: ja 15 minūšu laikā tai netiek nosūtīts ieejas signāls, ierīce automātiski pāriet gaidstāves režīmā, lai taupītu enerģiju (ERP 2 standarts). Ņemiet vērā, ka zema skaļuma līmeņa iestāšana audio signāla avotā var tikt atzīta par stāvokli "nav audio signāla": tas var ietekmēt ierices spēju uztvert signālu no ierices un izraisīt automātisku pāreju gaidstāves režīmā. Šādā gadījumā ir jāatjauno audio signāla pārraide vai jāpaaugstina skaļuma līmenis audio signāla avotā (MP3 atskaņotājā u. tml.), lai atsāktu atskaņošanu. Ja problēma joprojām pastāv, sazinieties ar vietējo servisa centru.

BRĪDINĀJUMS Ierīci nedrīkst lietot personas (tostarp bērni) ar samazinātām fiziskām, maņu vai garīgām spējām un personas ar nepietiekamām zināšanām un pieredzi, ja vien viņas neatrodas personas, kas atbilst par viņu drošību, uzraudzību un nav apmācītas, kā droši lietot ierīci. Pieaugušo klātbūtnē ir nepieciešama, ja ierīci lieto bērni, lai nodrošinātu drošu ierices lietošanu.

1. Neatstājiet ierīci darbības laikā bez uzraudzības! Izslēdziet ierīci, ja tā netiek lietota, pat īsu brīdi.

2. Ierīci nedrīkst apkalpot, izmantojot ārējo taimeri vai atsevišķu sistēmu ar tālvadību.

3. Lai izvairītos no riska, kas rodas barošanas kabeļa bojājuma gadījumā, tās nomaina ir jāveic ražotājam, pilnvarotam servisa centram vai citai personai ar atbilstošu kvalifikāciju.

4. Pirms ierices lietošanas sākšanas pārliecinieties, ka tās spriegums atbilst spriegumam vietējā barošanas tīklā.

5. Neaizsedziet ierices ventilācijas atveres, piemēram, ar avīzēm, galdautu, aizkariem u. tml. Pārliecinieties, ka virs ierices ir vismaz 20 cm brīvas vietas un vismaz 5 cm katrā tās pusē.

6. Nepieļaujiet šķidruma pilēšanu vai izliešanu uz ierices un nenovietojiet uz tās priekšmetus, kas piepildīti ar šķidrumiem, piemēram, vāzes.

7. Lai izvairītos no ugunsgrēka vai elektrošoka, aizsargājiet ierīci no karstām vietām, lietus, mitruma un putekļu iedarbības.

8. Novietojiet ierīci nekādā ūdens avotā, piemēram, krānu, vannu, veļas mazgājamo mašīnu vai peldbaseinu tuvumā.

9. Uzstādiet ierīci uz līdzenas un stabilas pamatnes.

9. Nepakļaujiet ierīci spēcīga magnētiskā lauka iedarbībai.

10. Nenovietojiet ierīci tieši uz pastiprinātāja vai resivera.
11. Nenovietojiet ierīci mitrā vietā, jo mitrums negatīvi ietekmē elektriskās detaļas.
12. Pēc ierīces pārvietošanas no aukstas siltā vietā vai mitrā vietā mitrums var kondensēties uz atskaņotāja lēcas. Šādā gadījumā ierīce nedarbosies pareizi. Atstājiet ierīci ieslēgtu uz aptuveni vienu stundu, lai mitrums iztvaikotu.
13. Ierīci nedrīkst tīrīt ar ķīmiskiem šķīdinātājiem, jo tie var sabojāt korpusa lakas pārklājumu. Noslaukiet ierīci ar tīru, sausu vai nedaudz samitrinātu lupatīņu.
14. Izvelkot kontaktdakšas no sienas kontaktligzdas, vienmēr velciet aiz kontaktdakšas, nevis aiz barošanas kabeļa.
15. Ja ieslēgta ierīce tiek lietota ieslēgta televizora tuvumā, tas var radīt atēlla traucējumus liniju uz ekrāna veidā. Tas ir atkarīgs no TV pārraides viļņu joslas. Tas nenozīmē, ka ierīce vai televizors darbojas nepareizi. Ja ir redzamas šādas līnijas, attāliniet ierīci no televizora.
16. Elektrotīkla kontaktdakša ir paredzēta atvienošanai no barošanas sprieguma, un tai ir vienmēr jābūt pieejamai.
17. Lai izvairītos no iespējamās dzirdes zaudēšanas, neklausieties mūziku skaļi pārāk ilgi.



PIEZĪME
Deklarācija



Ar šo uzņēmums Blaupunkt Competence Center 2N-Everpol Sp. z o.o. apliecina, ka šī ierīce atbilst Direktīvas 2014/53/ES prasībām un citiem attiecīgajiem noteikumiem. Pilnu atbilstības deklarāciju var iegūt produkta cilnē tīmekļa vietnē www.blaupunkt.com.

Reģistrācijas apliecības īpašnieks: 2N-Everpol Sp. z o.o., Puławska 403A, 02-801 Warszawa, Polija, tālrunis: +48 22 688 08 00, e-pasts: info@everpol.pl



Produkts ir izgatavots no augstas kvalitātes materiāliem un sastāvdaļām, ko var nodot otrreizējai pārstrādei un izmantot atkārtoti.



Ja uz jūsu ierīces ir pārsvītrotas atkritumu tvērtnes simbols, tas nozīmē, ka uz produktu attiecas Eiropas Direktīvas 2012/19/ES noteikumi. Pamatojoties uz to, lūdzu, ievērojiet vietējos noteikumus un iepazīstieties ar prasībām, kas attiecas uz vietējo elektrisko un elektronisko atkritumu savākšanas sistēmu, un attiecībā uz šo izstrādājumu ievērojiet tās.

NEIZMETIET ŠO PRODUKTU KOPĀ SADZĪVES ATKRITUMIEM!

ŠIS PRODUKTS SATUR BĪSTAMAS VIELAS, MAISIJUMUS UN SASTĀVDAĻAS, KAS NEATĻAUTAS GADĪJUMĀ VAR BŪT IESPĒJAMĀS IETEKMES UZ DABĪGO VIDI UN CILVĒKU VESELĪBU AVOTS!

Pareiza izlietotā produkta utilizācija novērsīs negatīvu ietekmi uz vidi un cilvēku veselību.



Ierīce ir aprīkota ar baterijām, kurām piemēro Eiropas direktīvu 2006/66/EK. Baterijas nedrīkst izmest kopā ar mājāsaimniecības atkritumiem. Iepazīstieties ar vietējo tiesību aktu noteikumiem par bateriju atsevišķu savākšanu, jo to pareiza utilizācija novērs iespējamās negatīvas sekas apkārtējai videi un cilvēku veselībai.

Informācija par apkārtējās vides aizsardzību

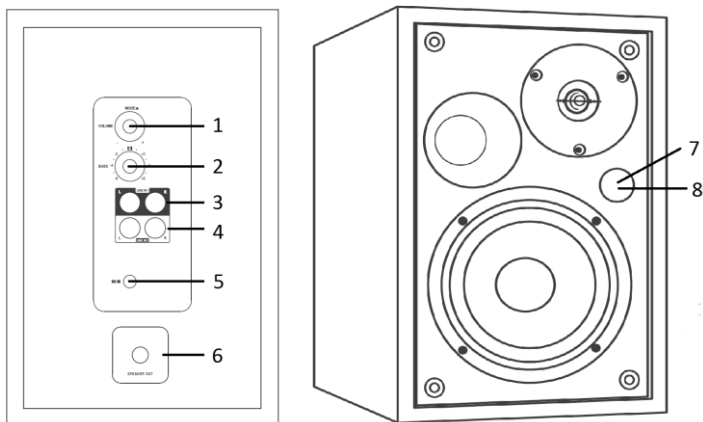
Iepakojums ietver tikai nepieciešamus elementus. Ir izdarīts viss iespējams, lai trīs materiāli, no kuriem izgatavots iepakojums, būtu viegli atdalāmi: kartons (kastīte); polistirola putas (iekšējie aizsargelementi) un polietilēns (maisiņi, aizsargplēve). Ierīce ir izgatavota no materiāliem, ko var nodot otrreizējai pārstrādei un izmantot atkārtoti pēc to demontāžas specializētā uzņēmumā. Ievērojiet vietējo tiesību aktu noteikumus par iepakojuma materiālu, nolietoto bateriju un nevajadzīgu ierīču utilizāciju. Materiālu ierakstīšanai un atskaņošanai var būt nepieciešama atļaujas iegūšana. Skatīt likumu par autortiesībām un izpildītāju/mākslinieku tiesībām.



Preču zīmju un logotipa Bluetooth® īpašnieks ir uzņēmums Bluetooth SIG, Inc. USA. Šo preču zīmju un logotipu izmantošanai ir vajadzīga licence. Citas preču zīmes un tirdzniecības nosaukumi pieder to attiecīgajiem īpašniekiem.

Paldies par mūsu modeļa iegādi. Pirms iedarbiniet ierīci, uzmanīgi izlasiet šo instrukciju un iepazīstieties ar to. Saglabājiet instrukciju turpmākai izmantošanai.

Vadības elementu izvietojums



1. Barošanas ieslēgšanas/skaļuma regulēšanas/atskaņošanas režīma izvēles grozāmā poga: nospiediet to īsi, lai ieslēgtu ierīci pēc tās iepriekšējās pieslēgšanas barošanas avotam; nospiediet to un turiet nospiestu trīs sekundes, lai pārslēgtu ierīci gaidstāves režīmā; nospiediet to īsi vairākas reizes, lai mainītu atskaņošanas režīmu; pagrieziet grozāmā pogu, lai noregulētu galveno skaļumu.

2. Zemo toņu regulēšanas grozāmā poga: pagrieziet to, lai paaugstinātu vai samazinātu zemo toņu līmeni.

3. RCA lineārās ieejas ligzda 1

4. RCA lineārās ieejas ligzda 2

5 — Lidzstrāvas padeves ligzda

6 — Skaļruņa izejas savienotājs: pievienojiet to satelītskaļrunim, lai iegūtu stereo režīmu.

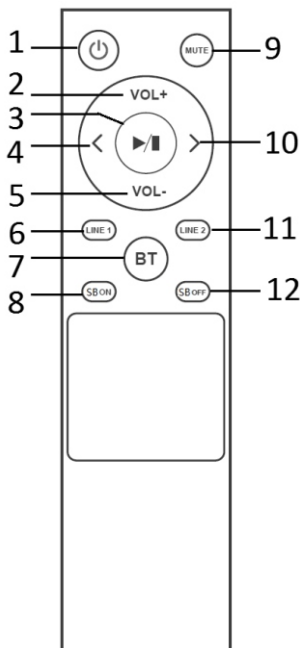
7–8 — Infrasarkanais sensors tālvadības pultij un logs ar gaismas diodžu indikatoru:

sarkanā krāsa: gaidstāves režīms;

zilā krāsa: Bluetooth režīms;

Gaiši zilā krāsa: lineārās ieejas režīms 1.

Dzeltenā krāsa: lineārās ieejas režīms 2.



Tālvadības pults

1 — Barošanas poga: nospiediet to, lai ieslēgtu/izslēgtu ierīci gaidstāves režīmā.

2, 5 — Skaļuma poga "+/-": nospiediet to, lai noregulētu izejas skaļumu.

3 — Atskaņošana/pauze: nospiediet to, lai atskaņotu vai apturētu atskaņošanu Bluetooth režīmā.

4, 10 — Poga "Iepriekšējā/Nākamā": nospiediet to, lai pārslēgtu iepriekšējo/nākamo dziesmu Bluetooth atskaņošanas režīmā.

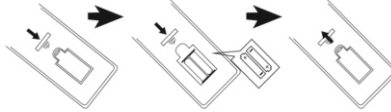
6, 7, 11 — Izvēles poga: lineārā ieeja 1/Bluetooth/lineārā ieeja 2: nospiediet to, lai pārietu tieši uz attiecīgu atskaņošanas režīmu.

8, 12 — Funkcijas Super bass ieslēgšanas/izslēgšanas poga: nospiediet to, lai ieslēgtu vai izslēgtu Super bass funkciju.

9 — Skaņas izslēgšanas poga: nospiediet to, lai izslēgtu skaņu, nospiediet to atkārtoti, lai atsāktu atskaņošanu.

Tālvadības pults bateriju uzstādīšana

Atveriet bateriju nodalījumu un ievietojiet tajā divas AAA baterijas (ietilpst komplektā); pārliedcinieties, ka bateriju polaritāte atbilst pozitīvajiem un negatīvajiem simboliem, kas uzdrukāti nodalījumā. Pēc tam aizveriet bateriju nodalījumu.

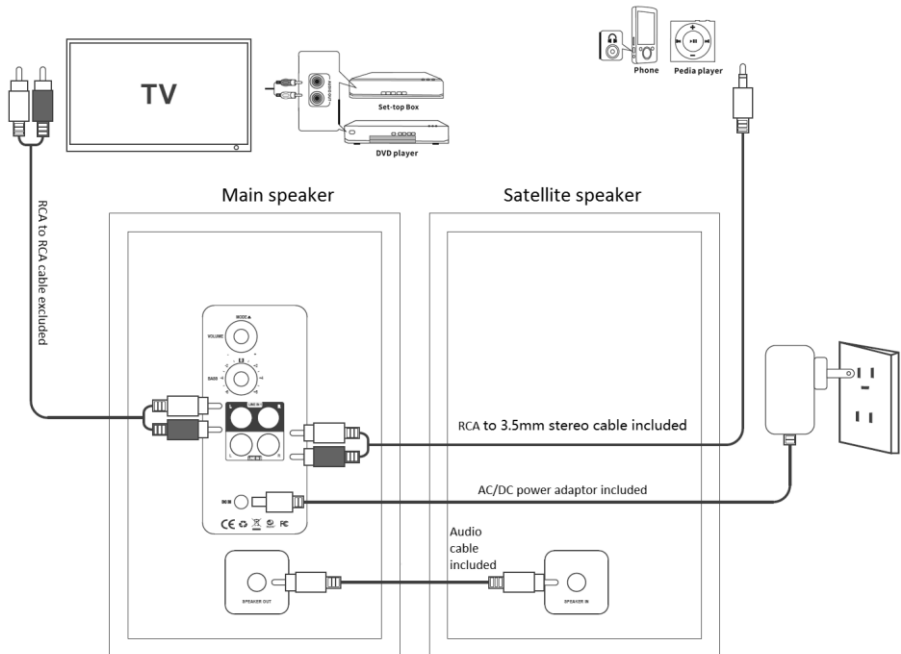


Piezīmes

- Labākais tālvadības pults darbības attālums ir pieci metri, bez nekādiem šķēršļiem starp tālvadības pulti un skaņas sistēmu. Tālvadības pults lietošanas laikā vērsiet to pret sensoru skaņas joslas priekšpusē.
- Tālvadības pults jutība samazinās, ja baterijas ir izlādējušās. Šādā gadījumā nomainiet tās pret jaunām.
- Ja tālvadības pults netiks lietota ilgāku laiku, izņemiet no tās baterijas.
- Utilizējiet baterijas videi draudzīgā veidā. Lai iegūtu sīkāku informāciju, iepazīstieties ar vietējo varas iestāžu prasībām.

Galvenā skaļruņa un satelītskaļruņa pievienošana: pirms skaļruņu ieslēgšanas vispirms savienojiet tos kopā, izmantojot komplektā ietilpstošo RCA–RCA (viens savienotājs) audio kabeli. Pievienojiet vienu kabeļa spraudni ligzdai galvenajā skaļrunī, bet otru spraudni — satelītskaļruņa ligzdai.

Pievienošana barošanas avotam: pievienojiet komplektā ietilpstošo maiņstrāvas/līdzstrāvas barošanas bloku mājās maiņstrāvas kontaktligzdai, lai iegūtu barošanas avotu. Pēc tam pievienojiet barošanas bloka līdzstrāvas spraudni līdzstrāvas padeves ligzdai uz galvenā skaļruņa aizmugurējā paneļa. Pēc tam skaļrunis pāriet gatavības režīmā un ir gatavs darbībai. Iši nospiediet barošanas ieslēgšanas grozāmo pogu uz galvenā skaļruņa aizmugurējā paneļa vai tālvadības pults, lai ieslēgtu skaļruņus. Ilgi (trīs sekundes) nospiediet barošanas ieslēgšanas grozāmo pogu uz aizmugurējā paneļa vai isi nospiediet barošanas pogu uz tālvadības pults, lai pārslēgtu skaļruņus izslēgt gaidstāves režīmā.



Šo modeli var savienot ar ārējām ierīcēm tādām kā televizors, televīzijas dekoders, DVD atskaņotājs, Blu-ray DVD atskaņotājs, MP3 atskaņotājs u. tml.

Skaļrunis ir aprīkots ar divām analogām RCA ieejām (lineārā ieeja) dažādiem avotiem. Iepazīstieties ar ierīcēs sniegto attēlu, lai uzzinātu, kā pievienot šim modelim ārējās ierīces. Komplektā ietilpst RCA–minijack 3,5 mm stereo kabelis.

Bluetooth funkcija

Šī ierīce ir aprīkota ar Bluetooth funkciju, kas ļauj atskaņot bezvadu režīmā mūziku no citām Bluetooth ierīcēm (piemēram, viedtālrunim, planšetdatoriem, televizoriem u. tml.).

1. Ieslēdziet ierīci, nospiediet režīma izvēles pogu uz aizmugurējā paneļa vai Bluetooth pogu uz tālvadības pults, lai pārietu Bluetooth režīmā. Zilā gaismas diode sāk mirgot gaismas diodes logā, kas nozīmē, ka ierīce ir gatava savienošanai pāri.
2. Ieslēdziet Bluetooth funkciju ārējā ierīcē (piemēram, viedtālruni) un sameklējiet pieejamās ierīces savienošanai pāri (skatiet ārējās ierīces lietošanas instrukciju), pēc tam pārbaudiet sarakstā pieejamās Bluetooth ierīces. Izvēlieties "BP BS40" savienošanai pāri, un pēc veiksmīgas savienošanas pāri zilā gaismas diode uz šī modeļa pārstāj mirgot.
3. Izvēlieties un atskaņojiet mūziku no savas Bluetooth ierīces, atbilstoši noregulējiet skaļuma līmeni, un skaņa tiek atskaņota ar šo modeli.
4. Nospiežot attiecīgu pogu uz tālvadības pults, Bluetooth režīmā var veikt tādas darbības kā iepriekšējās/nākamās dziesmas izvēle, atskaņošana/pauze, skaņas izslēgšana u. tml.

Piezīmes.

- a. Dažādas konstrukcijas un zīmola dēļ nav garantēts, ka visas Bluetooth ierīces tiks pareizi savienotas pāri.
 - b. Maksimālais Bluetooth darba attālums ir 10 metri bez nekādiem šķēršļiem starp ierīcēm.
 - c. Ierīce var tikt savienota pāri un darboties tikai kopā ar vienu Bluetooth ierīci vienlaikus.
 - d. Ienākošā zvana Bluetooth atskaņošanas laikā gadījumā mūzika tiek apturēta uz laiku un atjaunota pēc zvana beigām.
- Bluetooth savienojums ar televizoru:** ja televizors ir aprīkots ar Bluetooth funkciju, šis modelis ļauj atskaņot skaņu no televizora bezvadu režīmā. Ieslēdziet Bluetooth funkciju televizora iestatījumos un sameklējiet ierīci ar nosaukumu "BP BS40", lai tos savienotu pāri. Iepazīstieties ar televizora lietošanas instrukciju, lai iegūtu sīkāku informāciju.

Problēmu risināšana

1. Skaļruni nevar ieslēgt.
 - a. Pārlicinieties, ka barošanas avots ir pareizi pievienots.
2. Nav skaņas.
 - a. Mēģiniet noregulēt skaļuma līmeni, pārbaudiet skaņas izslēgšanas pogu un atskaņošanas avotu.
 - b. Ja problēma joprojām pastāv, sazinieties ar servisa centru, lai saņemtu palīdzību.
3. Skaņas kropļojumi.
 - a. Mēģiniet atskaņot mūziku ar zemāku skaļuma līmeni.
 - b. Pārbaudiet soprāna/basa iestatījuma stāvokli.
 - c. Mēģiniet samazināt skaļuma līmeni ārējā ierīcē, piemēram, televizorā u. tml.
4. Pārtraukta skaņa Bluetooth režīmā.
 - a. Mēģiniet pārvietot Bluetooth ierīci tuvāk skaņas skaļrunim.

Specifikācija

Vispārīgā

Jauda: Līdzstrāvas ieeja 19 V/1,65 A
 Enerģijas patēriņš (ieslēgtā režīmā): xxx W darbības režīmā
 Jaudas patēriņš gaidstāves režīmā: < 0,5 W
 RMS izejas jauda: 2 × 20 W
 Kopējie harmoniskie kropļojumi: < 1 % (1 kHz, 1 W)
 Audio ieejas jutība: LINE IN 1: 550 mV, LINE IN 2: 750 mV
 Pārraides josla: 45 Hz – 20 kHz; S/R: > / = 80 dB
 USB mūzikas atbalsts: MP3/WAV/WMA (nav garantēta visu failu atskaņošana)
 Maksimālais USB atmiņas apjoms: 32 GB
 Ierīces izmēri: 155 × 248 × 175 mm (plat. × augst. × dziļ.)
 Ieejas: 2 × RCA lineārā ieeja

Skaļruni (izmērs/pretestība)

Augstfrekvences skaļrunis: 1,25"/4 Ω
 Zemfrekvences skaļruņa pretestība: 4"/4 Ω

Bluetooth

Bluetooth versija: V5.3
 Darbības tālums: aptuveni 10 metri
 Pārraides frekvence: 2,402~2,480 GHz
 Protokoli: 2DP/AVCTP/AVDTP/AVRCP/GAVDP/HFP/HID/OPP/RFCOMM/SPP
 A2DP/AVRCP
 (Piezīme: ierīces specifikācija var tikt izmainīta bez iepriekšēja paziņojuma.)

Komplektā ietilpstošie piederumi:

tālvadības pults — 1 gab.;
 baterijas tālvadības pultij — 1 pāris;
 lietošanas instrukcija — 1 gab.;
 garantijas karte — 1 gab.;
 audio kabelis (3,5 mm stereo priekš RCA) — 1 gab.;
 Kabelis skaļruņu savienošanai: RCA priekš RCA ar vienu savienotāju — 1 gab.
 maiņstrāvas/līdzstrāvas barošanas bloks — 1 gab.

Power adaptor information		
Information published	Value and precision	Unit
Manufacturer's name or trade mark Commercial registration number Address	SHEN ZHEN FIT- POWERTECHNOLOGY CO.,LTD. 201, No. 7, Rifu Road, East District, baishixia Community, Fuyong Street, Bao'an District, SHENZHEN CITY Guangdong Province 518103	
Model identifier	TP04-190165E	
Input voltage	100-240	V
Input AC frequency	50/60	Hz
Output voltage	Dc19	V
Output current	1.65	A
Output power	31.4	W
Average active efficiency	≥89.28	%
Efficiency at low load (10%)	83.85%	%
No-load power consumption	≤0.09	W

Competence Center

2N-Everpol Sp. z o.o.
ul. Puławska 403A
02-801 Warsaw, Poland
phone: +48 22 688 08 00
e-mail: info@everpol.pl
www.blaupunkt.com

W przypadku pytań lub problemów prosimy o kontakt z naszym serwisem.

In case of questions or problems please contact our service .

Tel. 00 48 22 688 08 33 E-mail: info@blaupunkt-audio.pl

Wszelkie prawa zastrzeżone. Wszystkie nazwy marek są zarejestrowanymi znakami towarowymi należącymi do odpowiednich podmiotów. Dane i parametry techniczne mogą ulec zmianie bez wcześniejszego uprzedzenia.

All rights reserved. All brand names are registered trademarks of their respective owners. Specifications are subject to change without prior notice.

Niniejszy produkt został wyprodukowany i sprzedany na odpowiedzialność firmy 2N-Everpol Sp. z o.o. BLAUPUNKT, logo BLAUPUNKT oraz logo 100 LAT BLAUPUNKT są znakami towarowymi używanymi na podstawie licencji przez firmę 2N-Everpol Sp. z o.o. Więcej informacji na brand.blaupunkt.com. Wszystkie inne produkty, usługi, firmy, znaki towarowe, nazwy handlowe lub produkty i logo, o których mowa w niniejszym dokumencie, są własnością ich odpowiednich właścicieli.

This product has been manufactured and sold under the responsibility of 2N-Everpol Sp. z o.o.. BLAUPUNKT, BLAUPUNKT logo, and the 100 YEARS BLAUPUNKT logo are trademarks used under license by 2N-Everpol Sp. z o.o. - further information at brand.blaupunkt.com. All other products, services, companies, trademarks, trade or product names and logos referenced herein are the property of their respective owners.

Enjoy it.