

Owner's Manual
Instrukcja obsługi
Návod k použití
Navodila za uporabo
Használati útmutató
Upute za upotrebu
Lietošanas instrukcija

Instrucțiune de deservire
Инструкция за употреба
Οδηγίες χρήσης
Kasutusjuhend
Naudojimo instrukcijos
Uživatēliskā príručka



Enjoy it.

Multi-functional weather station with TUYA APP support

Important Notes

- safety and operating instruction should be retained for future reference.
- The apparatus should not be exposed to dripping or splashing or placed in a humid atmosphere such as a bathroom.
- Do not install the product in the following areas:
- Places exposed to direct sunlight or close to radiators.
- On top of other stereo equipment that radiate too much heat.
- Blocking ventilation or in a dusty area.
- Areas where there is constant vibration.
- Humid or moist places.
- Do not place near candles or other naked flames.
- Operate the product only as instructed in this manual.
- Before turning on the power for the first time, make sure the power adaptor is properly connected.

For safety reasons, do not remove any covers or attempt to gain access to the inside of the product. Refer any servicing to qualified personnel.

Do not attempt to remove any screws, or open the casing of the unit; there are no user serviceable parts inside. Refer all servicing to qualified service personnel.

SAFETY INSTRUCTIONS

1. Read Instructions - All the safety and operating instructions must be read before the product is operated.
2. Retain Instructions - The safety and operating instructions should be kept with the product for future reference.
3. Heed warnings - All warnings on the product and in the operating instructions should be adhered to.
4. Follow instructions - All operating and users' instructions should be followed.
5. Installation - Install in accordance with the manufacturer's instructions.
6. Power sources - This product should be operated only from the type of power source indicated by the marking adjacent to the power cord entry. If you are not sure of the type of power supply to your home, consult your product dealer or local power company.
7. Water and moisture - To reduce the risk of fire or electric shock, do not expose the product to rain, dripping, splashing or excessive moisture such as in a sauna or bathroom. Do not use this product near water, for example, near a bathtub, washbowl, kitchen sink, laundry tub, in a wet basement or near a swimming pool (or similar).
8. Object and Liquid Entry - Never push objects of any kind into this product through openings, as they may touch dangerous voltage points or short-circuit parts that could result in a fire or electric shock. Never spill liquid of any kind on the product. Do not place any object containing liquid on top of the product.
9. Servicing - Do not attempt to service this product yourself, as opening or removing covers may expose you to dangerous voltage or other hazards. Refer all servicing to qualified service personnel.
10. Replacement parts - When replacement parts are required, ensure that the service technician has used replacement parts specified by the manufacturer or have the same characteristics as the original part. Unauthorized substitutions may result in fire, electric shock or other hazards.
11. The highest environmental temperature suitable for this product is 35°C.
12. ESD hints - If the product maybe reset or not reset to operation of control due to electrostatic discharge, just switch off and reconnect again, or move the product to another location.
13. Battery

- a. The batteries must not be exposed to excessive heat such as sunshine, fire or the like.
- b. The batteries should be drawn to the environmental aspects of battery disposal.
- c. Battery usage CAUTION-to prevent battery leakage which may result in body injuries, property damage, or damage to the apparatus:
 - . Install all batteries correctly, + and – as marked on the apparatus.
 - . Do not mix batteries (old and new or carbon and alkaline, etc.)
 - . Remove batteries when the unit is not used for a long time.

ERP2 (Energy Related Products) note

This product with ecodesign complies with the stage 2 requirements of Commission Regulation (EC) NO. 1275/2008 implementing Directive 2009/125/EC regard to standby and off mode electric power consumption of electronic household and office equipment.

WARNING

This appliance is not intended for use by persons (including children) with reduced physical sensory or mental capabilities, or lack of experience and knowledge, unless they have been given supervision or instruction concerning use of the appliance by a person responsible for their safety. Children should be supervised to ensure that they do not play with the appliance.

1. Never use the device unsupervised! Switch off the device whenever you are not using it, even if this only for a short while.
2. The appliance is not intended to be operated by means of an external timer or separate remote control system.
3. If the supply cord is damaged, it must be replaced by the manufacturer, its service agent or similarly qualified persons in order to avoid a hazard.
4. Before operating this system, check the voltage of this system to see if it is identical to the voltage of your local power supply.
5. To prevent fire or shock hazard, do not expose this equipment to hot places, rain, moisture or dust.
6. Do not place this unit close to a strong magnetic field.
7. Do not place the unit on a amplifier or receiver.
8. Do not place this unit in a damp area as the moisture will affect the life of electric components.
9. If the system is brought directly from a cold to a warm location, or is placed in a very damp room, moisture may condense on the lens inside the player. If this occurs, the system will not operate properly. Please leave the system turned on for about an hour until the moisture evaporates.
10. Do not attempt to clean the unit with chemical solvents as this might damage the finish. Wipe with a clean, dry or slightly damp cloth.

NOTICE

Conformity

Hereby, Blaupunkt Competence Center 2N-Everpol Sp. z o.o., declares that this equipment is in compliance with the essential requirement and other relevant provisions of Directive 2014/53/EU. Declaration of conformity can be obtained from the product page at www.blaupunkt.com.

Responsible party: 2N-Everpol Sp. z o.o., Puławska 403A, 02-801 Warsaw, Poland, Phone: +48 22 688 08 00, E-mail: info@everpol.pl



Your products is designed a manufactured with high quality materials and components, which can be recycled and reused.



If there is a crossed-out bin symbol on your device, it means that the product is covered by the provisions of European Directive 2012/19/EU. Based on this, please follow local regulations and familiarize yourself with the requirements for your local electrical and electronic waste collection system and, in the case of this product, comply with them.

DO NOT DISPOSAL THIS PRODUCT WITH YOUR HOUSEHOLD WASTE!

THIS PRODUCT CONTAINS HAZARDOUS SUBSTANCES, MIXTURES AND COMPONENTS WHICH, IF UNAUTHORIZED, CAN BE A SOURCE OF POTENTIAL EFFECTS ON THE NATURAL ENVIRONMENT AND HUMAN HEALTH!

Correct disposal of the used product will prevent negative effects on the environment and human health.



Your product contains batteries covered by the European Directive 2006/66/EC, which cannot be dispose with normal household waste. Please inform yourself about the local rules on separate collection of batteries because correct disposal helps to prevent negative consequences for the environmental and human health.

Environmental information

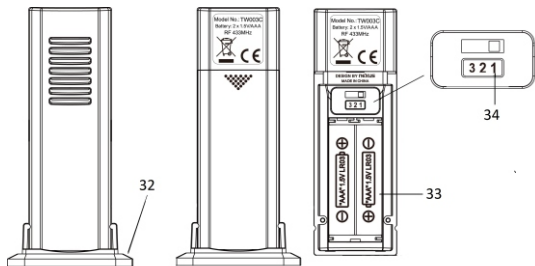
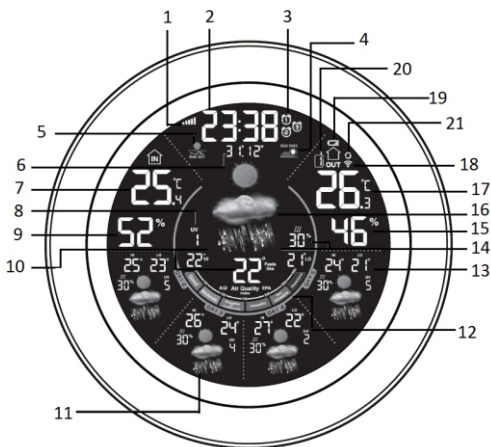
All unnecessary packaging has been omitted. We have tried to make the packaging easy to separate into three materials: cardboard (box), polystyrene foam (buffer) and poly ethylene (bags, protective foam sheet). Your system consists of material which can be recycled and reused if disassembled by a specialized company. Please observe the local regulations regarding the disposal of packaging materials, exhausted batteries and old equipment. Recording and playback of material might require consent. See Copyright Act 1956 and The Performer's Protection Acts 1958 to 1972.

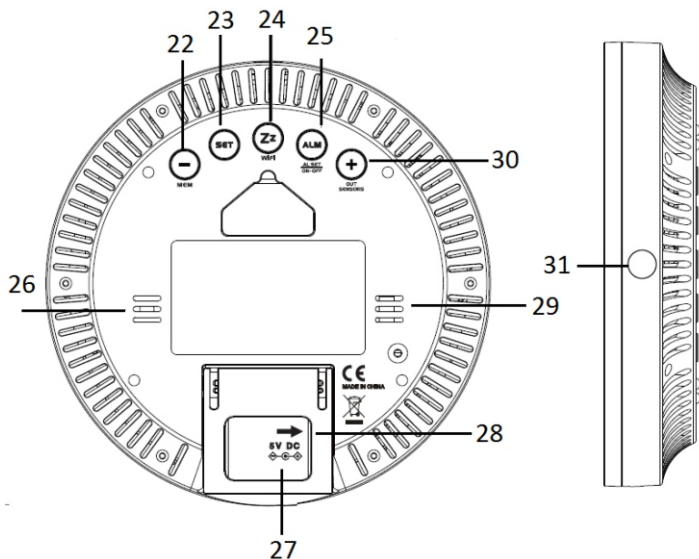
Many thanks purchase our model, this weather station product includes below features. Please read and reference this manual carefully before operate the unit. Please keep the manual for future operation reference.

Features

- TUYA APP support
- 5 days weather forecast, UV (ultraviolet index), high-low temperature
- Indoor/outdoor temperature.
- Indoor/outdoor humidity.
- 12/24 hours clock time, calendar.
- Alarm with snooze function.
- Maximum support and work with 3 outdoor wireless transmitters in different channel (1 transmitters included).
- Barometer

Display & controls






- 1-Wi-Fi signal icon 2-Clock time 3-Alarm 1/2/3 4-Sunrise icon 5-Sunset icon
 6-Calendar 7-Indoor temperature 8-UV index 9-Indoor humidity
 10-Feels like and PM2.5 index (show on display alternately) 11-Weather forecast
 12-Air quality index 13-High-low alert 14-Rain precipitation 15-Outdoor humidity
 16-Weather forecast 17-Outdoor temperature
 18-Outdoor wireless transmitter signal icon
 19-Low battery power indicator for wireless transmitter. (please replace the outdoor transmitter with fresh battery in case of the icon appears)
 20-Outdoor wireless transmitter number 21-Auto scrolling enabled
 22- - and memory button 23-Set button 24-Snooze and Wi-Fi signal button
 25-Alarm, alarm set, alarm on/off button 26-Heat vents 27-DC IN power jack
 28-Foldable stand 29-Heat vents 30- + and outdoor sensors channel button
 31-Auto backlight sensor window 32-Holder
 33-Battery compartment for wireless transmitter 34-Channel number selector

Power setting

Plug in the supplied AC/DC power adaptor to an AC household outlet in order to get power source, plug in the DC connector of power adaptor to DC input power jack on the side of rear panel, manage and order the power cord throughout from the middle hole of foldable stand. The display will light up, then the unit is ready work for you.


Open the battery compartment cover of outdoor wireless transmitter, insert 2 x AAA batteries (not include) to the compartment according to the correct polarity showed in the

compartment. We recommend use high quality alkaline for the best product performance. Heavy duty or rechargeable batteries are not recommended. **Receive signal from outdoor wireless transmitter**

The main unit can detect and receive the outdoor temperature and humidity wireless signal from transmitter automatically after power setting ready. There will take 3 minutes maximum for signal searching. The signal symbol(nearby outdoor icon)  will flash on display during searching, and becomes stable after get the signal. The wireless symbol will be disappeared after 3 minutes if there is no available signal be received. And outdoor temperature and humidity data will show "--" on display. In case you need reconnect the wireless signal, please press and hold the out sensors channel button 3 seconds on backside of main unit. The unit will scan and reconnect the wireless signal one after one.

Placement and important notes:

1. Important: The main unit are able to work and connect with 3 outdoor wireless transmitters maximum(only one wireless transmitter included). Open up the battery door of wireless transmitter can see and adjust the channel(include 3 channels). In case you have 2 or 3 wireless transmitters, it requires to set up at different channel between each wireless transmitter for working at same time. For example, you select channel 1 at wireless transmitter, then the channel display of main unit should show "1" for connection.

Short press the out sensors channel button on backside panel can check and switch the data from different outdoor wireless transmitter. Press the out sensors channel button repeatedly till "" appears(nearby the outdoor icon) to show the temperature and humidity data between wireless transmitter 1/2/3 alternately. Press the button again to cancel the function.

2. please use and put main unit or transmitter device 1.5~2 meters away from interference source like computer monitors or TV sets. Please also place the main unit stand up far away with metal window frames.

3. Please do not use other electronic products such as headphones or speakers operating at the same signal frequency (433MHz), which may cause interference. Your neighbors use electronic devices operating on the same signal frequency (433MHz) can also cause interference.

4. To ensure accurate temperature measurement, place the device in a dry area, free of dirt and dust. Place out of direct sunlight and away from heat sources or vents.

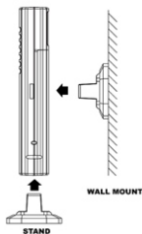
5. You can install the wireless transmitter outdoor. For better accuracy of using, please place the sensor lengthwise/ standing up 1.5~2 meters at least away from the ground with enough air flowing and protection without rainy. Please do not expose the sensor to direct sunlight for a long time.

6. The maximum working distance of wireless transmitter is 50 meters away from main unit.

7. The wireless signal from transmitter will refresh in every 114(channel

1)/134(channel2)/158(channel3) seconds in recycle.

8. You also can choose to vertical standing or wall mount the wireless transmitter like below.



Download TUYA APP and configuration

Important: Before start to download app and pairing the device, Please make sure and set your smart phone connected with 2.4G, or 2.4/5G hybrid Wi-Fi network, and turn on the Bluetooth function on your phone as well. It cannot work and support under 5GHz network.


TUYA smart APP: Using your smart phone to scan below QR cord and download the "Tuya smart" APP(depends iOS or Android system) in your device, you also can search the Tuya smart from Apple store or Google play to download the app. Tap and run the app in your device, check and click the agreement of app, register or log-in your account as request.



For Android



For iOS

Pair and Wi-Fi network configuration: Power on the main unit, long press 3 seconds the Wi-Fi button on back panel enter to pair mode and the network symbol  will flash on display. Open up and log-in the Tuya smart app on your device, tap "Add device"(Ref. photo A) and searching device on the app(there may ask location accessible, please agree it), check the discover device list and tap "Add" button(Ref. photo B), select your home Wi-Fi network name and key-in the password as asked. The weather station will pair with app and press "Done" button (Ref. photo D and E), then the app will start configuration, and transfer local city 5-days weather forecast/UV index/temperature data etc. to the display of weather station.

In case of needs, press and hold Wi-Fi button to reset Wi-Fi connection between APP and device, and follow up above for reconnecting.

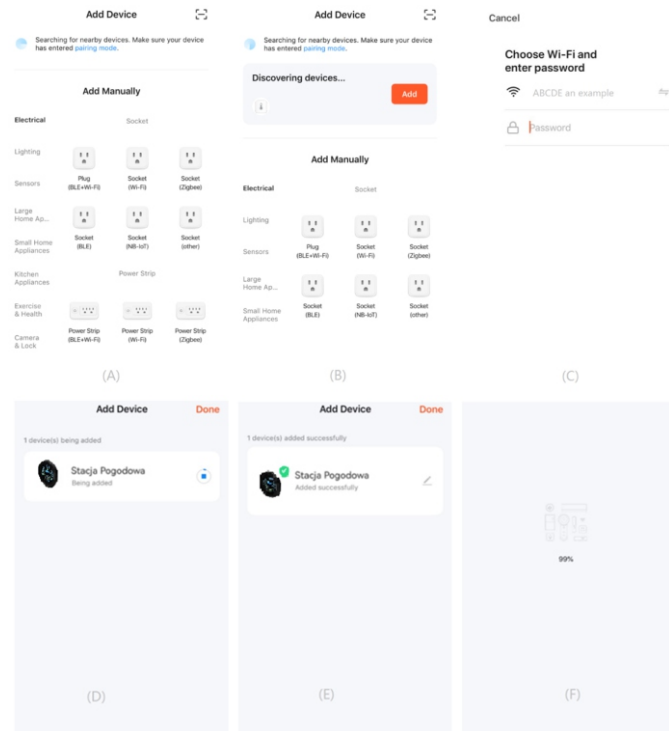
Use Tuya app control weather station

Alarm/snooze: you can set up 3 alarms from app as below, the buzz voice will wake up from weather station unit when the alarm time is being. Short press any one button can cancel the alarm voice, but wake up again at same time next day. Short press top snooze button enters to snooze mode, and it will wake up again after arrive the setup snooze time. The alarming voice will last for 5 minutes and off automatically in case of no further operation.

Others: You also can set and get the indoor&outdoor temperature alert/indoor&outdoor temperate&humidity graph curve/temperature °C(Celsius degree) or °F(Fahrenheit degree) unit conversation function from app by pressing the relevant button at bottom of home interface. In case of you set and turn on temperature alert function on app, the unit will alert by buzz voice, short press the snooze button to cancel the voice, but the temperature data will keep flash on display till out of setup alert range.

Important notes:

- Both weather station and your smart phone should connect and work under same Wi-Fi network.
- In case you take smart phone outside, the weather station can connect and work with your Wi-Fi network alone.
- In case changed Wi-Fi network or wi-fi password, you have to repair the weather station with your smart phone. You can delete the device from Tuya app first, then repair and add it from app base on above paragraph introducing of this manual.



d. In case weather forecast information lost or incomplete on display, please try to open Tuya smart app, fresh and reconnect device.

e. You can rename the device name by tap pencil icon(nearby device name normally) on the app.

f. the weather station also supports smart life app, you can go to Apple store or Google play to search smart Life-Smart living APP for downloading, the connection is similar.

ATTENTION

When the weather station operates for some time, unplugging the power supply and reconnecting it quickly will cause higher temperature and lower humidity readings (caused by the remaining heat inside the unit). Just leave the weather station run for another 15-30 minutes, the temperature and humidity readings will become stable and accurate again. Turning on the air conditioner or the electric fan towards the weather station may cause the indoor temperature slightly lower.



System settings by manual: press and hold set button till the hour digit flash on display, press + or - button to adjust the hours, short press the set button skip to minute setting, use the same operation like clock hour's setting to finish the rest settings for clock minute/12&24hours format/year/month/date/month&date format/temperature unit/feels like or PM2.5/air pressure unit/display auto light sensor(on/off)/snooze time(5~60minutes). Press and hold + or - button will accelerate your setting. Press the set button again to finish and quit the setting. Remain the unit without any operation in 10 seconds to quit the setting procedure.

Alarm settings by manual: press and hold the alarm button till alarm1 icon and hour digit flash on display, press + or - button to adjust the alarm hour. Press alarm button again skip to alarm minute setting. Use the same operation like the alarm hour's setting to finish the rest settings for alarm minute/alarm mode (by every date(1-7) & working day(1-5) & weekend(6-7)); then continue the setting for alarm 2/alarm 3 which is same operation as alarm1. Press and hold + or - button will accelerate your setting. Press the alarm button again to finish and quit the setting. Short press the alarm button to turn on alarm1; press alarm button repeatedly to turn on or off relevant options between alarm 1/2/3, and the corresponding alarm icon will show on display. Please make sure the setup alarm icon will show on display after your setting, otherwise, the alarm function is not working.










Wake up and snooze: When the time reaches your set alarm time, your weather station will give a beep sound to wake you up. The corresponding alarm icon will flash on display. Press the alarm button to cancel the alarm voice, and the alarm will wake up you again at the same time next day. Press snooze button to cancel the alarm voice temporarily, the alarm will beep again according to your setup snooze time. The alarm voice duration time is 5 minutes and auto off in case of no further operation.

Display automatic light sensor: The weather station is equipped with an automatic light sensor at the top middle side. The brightness of the display and the white light will be adjusted to lower level when your room environment is dim.

Display backlight adjustment: When the light sensor is set up in off. Press snooze button to select HI or MED or LO dimmer.

Sunrise and sunset time: at normal time display mode, press set button to check the sunrise time, press it again to check the sunset time. Press the set button 3 times to show the sunrise and sunset time alternately. Press the set button again back to normal display mode.

Weather forecast indicator

				
Sunny	Sunny and Cloudy (Partly Sunny)	Cloudy	Rainy	Stormy
				
Wind	Fog	Haze	Frost	

Air Quality Index (AQI/ EPA)

Air Quality	Air Quality Index	Who Need to be Concerned?
Good	0-50	It's great day to be active outside.
Moderate	51-100	Some people who may be unusually sensitive to particle pollution. Unusually sensitive groups: Consider reducing prolonged or heavy exertion. Everyone else: It's good day to be active outside.
Unhealthy for Sensitive People	101-150	Sensitive groups include people with heart or lung disease, older adults, children and teenagers. Sensitive groups: Reduce prolonged or heavy exertion.
Unhealthy	151-200	Sensitive groups: Avoid prolonged or heavy exertion. Everyone else: Reduce prolonged or heavy exertion. Take more breaks during all outdoor activities.
Very Unhealthy	201-300	Sensitive groups: Avoid all physical activity outdoor. Everyone else : Avoid prolonged or heavy exertion.
Hazardous	301-500	Sensitive groups: Remain indoors and keep activity levels low. Everyone: Avoid all physical activity outdoors.

To read maximum-minimum in-out temperatures and humidities

At normal time display mode, press – button once to view the maximum indoor-outdoor temperatures and humidities records with “MAX” icons appearing on the display. Press - button again to view the minimum indoor-outdoor temperatures and humidities with “MIN” icons appearing on the display.

When the maximums or minimums are displayed, press and hold the – button to reset both records and it will start to record the maximums and minimums again.

Specifications**Temperature Range**

Indoor: $-10^{\circ}\text{C}/14^{\circ}\text{F} \sim 50^{\circ}\text{C}/122^{\circ}\text{F}$ (display shows HH.H / LL.L if out of this range)

Outdoor: $-40^{\circ}\text{C}/-40^{\circ}\text{F} \sim 60^{\circ}\text{C}/140^{\circ}\text{F}$ (display shows HH.H / LL.L if out of this range)

Humidity Range

Indoor: 1%-99% (display shows HH.H / LL.L if out of this range)

Outdoor: 1%-99% (display shows HH.H / LL.L if out of this range)

Temperature Resolution : $0.2^{\circ}\text{F} / 0.1^{\circ}\text{C}$

Indoor temperature accuracy: $\pm 1^{\circ}\text{C}$

Outdoor temperature accuracy: $\pm 1^{\circ}\text{C}$

RH% Resolution : 1%

Indoor humidity accuracy and Outdoor humidity accuracy: 30% ~ 70% $\pm 5\%$

Out of these ranges: $\pm 7\%$

Time format : 24 hours

Time: 0:00

Alarm 1 and 2 and 3: 6:00 am

Alarm Duration: 5 minutes

Snooze Duration: 5 minutes

Calendar: Date-Month / Month-Date

Time format: 12/ 24 hour

Temperature: $^{\circ}\text{C}/^{\circ}\text{F}$

Air Pressure: hPa / inHg

PM 2.5: 0 - 999 $\mu\text{g}/\text{m}^3$

Transmission frequency: 433 MHz

Transmission range: 50 m (open field)

(Notes: the product spec may change without prior notice).

Trouble shooting

Doesn't display anything.	<ul style="list-style-type: none"> ✧ Check if the AC/DC power adaptor connect with unit properly.
Temperature/humidity from outdoor sensor not displayed.	<ul style="list-style-type: none"> ✧ Check that the distance between the thermometer and sensor doesn't exceed 30m. ✧ Make sure that the devices are located at least 2m from monitors and TV sets. ✧ Avoid placing the devices on or close to window frames made of metal. ✧ Avoid using electronic devices such as loudspeakers which operate at the same frequency (433MHz), close to the devices. ✧ Please double check if the wireless transmitter was set up in different channels each other ✧ Remove the batteries, wait a while and then reinsert them.
Displayed temperature is incorrect.	<ul style="list-style-type: none"> ✧ Remove the batteries, wait a while and then re-insert them. ✧ Make sure that the devices are not affected by heat sources or air-conditioning units and such.
No weather forecast information on display	<ul style="list-style-type: none"> ✧ Please try to select and fresh weather station device connection from Tuya app. ✧ Please try to repair device with Tuya app.

Ważne informacje

- Należy zachować instrukcję obsługi oraz informacje dotyczące bezpieczeństwa w celu wykorzystania ich w przyszłości.
- Nie należy dopuszczać do tego, aby na urządzenie kapąca lub wylewała się ciecz. Nie wolno też używać go w wilgotnych miejscach, jak np. łazienka.
- Nie wolno instalować tego urządzenia w następujących miejscach:
- Wystawionych na bezpośrednie działanie promieni słonecznych lub w pobliżu grzejników.
- Kłaść go na wierzchu innego sprzętu stereofonicznego który wydziela ciepło.
- Blokując wentylację lub w zapyłonym miejscu.
- W miejscach narażonych na ciągłe drgania.
- W miejscach o wysokiej wilgotności.
- Nie wolno stawiać urządzenia w pobliżu świec lub otwartego ognia.
- Urządzenia można używać wyłącznie w sposób opisany w niniejszej instrukcji.
- Przed pierwszym włączeniem zasilania należy upewnić się, że zasilacz został prawidłowo podłączony.

Ze względów bezpieczeństwa nie należy demontować obudów ani uzyskiwać dostępu do wnętrza urządzenia. Urządzenie powinno być naprawiane przez wykwalifikowany personel serwisu.

Nie wolno rozkręcać urządzenia ani otwierać jego obudowy, gdyż wewnątrz nie ma żadnych części, które mogłyby być naprawiane przez użytkownika. Konserwacją i naprawą sprzętu zajmują się wyłącznie wykwalifikowani pracownicy serwisu.

INSTRUKCJE DOTYCZĄCE BEZPIECZEŃSTWA

1. Przeczytać instrukcje — przed korzystaniem z urządzenia należy przeczytać całość instrukcji obsługi oraz informacje o bezpieczeństwie.
2. Zachować instrukcje — należy zachować instrukcje użytkownika i obsługi w celu wykorzystania ich w przyszłości.
3. Przestrzegać ostrzeżeń — należy postępować zgodnie z wszystkimi ostrzeżeniami zamieszczonymi na urządzeniu oraz zgodnie z instrukcją obsługi.
4. Przestrzegać instrukcji — należy postępować zgodnie z instrukcją obsługi oraz wskazówkami dla użytkownika.
5. Instalacja — należy ustawić urządzenie zgodnie z instrukcjami producenta.
6. Źródła zasilania – urządzenie powinno być zasilane wyłącznie ze źródeł o parametrach podanych na oznaczeniach na kablu zasilania. Jeżeli użytkownik nie jest pewien, jakiego rodzaju zasilaniem dysponuje w domu, powinien skontaktować się ze sprzedawcą urządzenia lub lokalnym dostawcą energii elektrycznej.
7. Woda i wilgoć — aby zmniejszyć zagrożenie pożarem lub porażeniem elektrycznym, nie wolno narażać urządzenia na bezpośrednie działanie deszczu, wody i wilgoci, jak np. w saunie czy w łazience. Nie używać niniejszego urządzenia w pobliżu wody, na przykład obok wanny, umywalki, zlewu kuchennego lub balii, w wilgotnej piwnicy lub w pobliżu basenu (lub w podobnych miejscach).
8. Przedmioty i ciecie w urządzeniu — nie należy wciskać jakichkolwiek przedmiotów przez otwory urządzenia, ponieważ mogą one zetknąć się z punktami niebezpiecznego napięcia i podzespołami, co może wywołać pożar lub porażenie prądem. Pod żadnym pozorem nie należy rozlewać jakichkolwiek cieczy na powierzchni urządzenia. Nie wolno kłaść na wierzchu urządzenia przedmiotów zawierających ciecie.

9. Serwisowanie – nie należy próbować własnoręcznego przeglądania urządzenia. Otwieranie pokrywy może spowodować kontakt z niebezpiecznym napięciem i narazić użytkownika na inne niebezpieczeństwa. Konserwacją i naprawą sprzętu zajmują się wyłącznie wykwalifikowani pracownicy serwisu.
10. Części zamienne — przy wymianie części należy sprawdzić, czy pracownik serwisu użył części zamiennych zalecanych przez producenta lub też czy części są identyczne jak część oryginalna. Dokonywanie wymiany na niezatwierdzone części grozi wybuchem pożaru, porażeniem prądem elektrycznym lub innymi niebezpieczeństwami.
11. Maksymalna temperatura otoczenia urządzenia wynosi 35°C.
12. Wskazówki dotyczące wyładowań elektrostatycznych — jeśli działanie urządzenia jest zakłócone wyładowaniami elektrostatycznymi, należy go wyłączyć i ponownie włączyć lub przenieść urządzenie w inne miejsce.
13. Bateria
 - a. Baterie nie mogą być narażone na działanie nadmiernego ciepła, jak np. promieni słonecznych, ognia itp.
 - b. Podczas utylizacji baterii należy zwrócić uwagę na aspekty ochrony środowiska.
 - c. Przestroga dotycząca używania baterii: aby nie dopuścić do rozszczelnienia baterii, które może spowodować obrażenia ciała bądź uszkodzenie urządzenia:
 - Podczas wkładania baterii zwrócić uwagę na jej polaryzację (+ i -).
 - Nie wolno jednocześnie używać różnych baterii — starych i nowych baterii standardowych i alkalicznych itd.
 - Należy wyjąć baterie z urządzenia, gdy nie będzie ono używane przez dłuższy czas.

Uwaga dotycząca ERP2 (urządzeń związanych z energią)

Niniejsze urządzenie z ekoprojektem spełnia wymagania etapu 2 Rozporządzenia Komisji (WE) nr 1275/2008 wprowadzającego dyrektywę 2009/125/WE dotyczącą poboru energii przez wyłączone i znajdujące się w trybie czuwania urządzenia elektroniczne do zastosowań biurowych i domowych.

OSTRZEŻENIE

Urządzenie nie powinno być używane przez osoby (w tym dzieci) o obniżonej sprawności fizycznej, sensorycznej lub umysłowej oraz osoby z niewystarczającą wiedzą i doświadczeniem, jeśli nie znajdują się one pod nadzorem osoby odpowiedzialnej za ich bezpieczeństwo i nie zostały poinstruowane jak bezpiecznie używać urządzenia. Obecność osób dorosłych jest wymagana, jeśli urządzenie obsługują dzieci; pozwoli to zapewnić bezpieczne korzystanie z urządzenia.

1. Nie wolno pozostawić pracującego urządzenia bez nadzoru! Należy wyłączać urządzenie, gdy nie jest ono używane, nawet przez krótką chwilę.
2. Urządzenia nie wolno obsługiwać za pośrednictwem zewnętrznego zegara z układem czasowym ani za pomocą oddzielnego układu ze zdalnym sterowaniem.
3. Aby uniknąć zagrożenia w przypadku uszkodzenia przewodu zasilania, wymianę powinien wykonać producent, autoryzowany punkt serwisowy lub inna osoba posiadająca odpowiednie kwalifikacje.
4. Przed przystąpieniem do obsługi urządzenia należy sprawdzić, czy jego napięcie odpowiada napięciu występującemu w lokalnej sieci zasilającej.
5. Aby uniknąć pożaru lub porażenia prądem elektrycznym, należy chronić urządzenie przed gorącymi miejscami, działaniem deszczu, wilgoci i pyłu.
6. Nie wolno narażać urządzenia na silne pole magnetyczne.
7. Nie wolno stawiać urządzenia bezpośrednio na wzmacniaczu lub amplitunerze.
8. Nie wolno stawiać urządzenia w wilgotnym miejscu, gdyż wilgoć ma szkodliwy wpływ na podzespoły elektryczne.

9. Po wniesieniu urządzenia z zimnego do ciepłego miejsca lub do wilgotnego miejsca może dojść do kondensacji wilgoci na soczewce wewnątrz odtwarzacza. W takiej sytuacji urządzenie nie będzie działać prawidłowo. Należy pozostawić włączone urządzenie na około jedną godzinę, aby umożliwić odparowanie wilgoci.
10. Nie wolno czyścić urządzenia rozpuszczalnikami chemicznymi, gdyż mogą one zniszczyć lakier obudowy. Urządzenie wyciera się czystą, suchą lub nieznacznie zwilżoną ściereczką.

UWAGA

Deklaracja



Niniejszym Blaupunkt Competence Center 2N-Everpol Sp. z o.o. oświadcza, że to urządzenie jest zgodne z wymogami i innymi odpowiednimi postanowieniami dyrektywy 2014/53 / UE. Pełną deklarację zgodności można uzyskać na stronie www.blaupunkt.com w zakładce produktu. Podmiot odpowiedzialny: 2N-Everpol Sp. z o.o., Puławska 403A, 02-801 Warszawa, Polska, Telefon: +48 22 688 08 00, e-mail: info@everpol.pl



Produkt został wyprodukowany z wysokiej jakości materiałów i podzespołów, które można poddać recyklingowi i ponownie użyć.



Jeśli na urządzeniu znajduje się znak przekreślonego kosza na śmieci, oznacza to, że produkt jest objęty postanowieniami dyrektywy europejskiej 2012/19/EU. Na jej podstawie należy postępować zgodnie z lokalnymi przepisami i zapoznać się z wymaganiami dotyczącymi lokalnego systemu zbiórki odpadów elektrycznych i elektronicznych i w przypadku tego produktu, zastosować się do nich.

NIE WOLNO WYRZUCAĆ TEGO PRODUKTU RAZEM ZE ZWYKŁYMI ODPADAMI DOMOWYMI!
NINIEJSZY PRODUKT ZAWIERA NIEBEZPIECZNE: SUBSTANCJE, MIESZANINY I CZĘŚCI SKŁADOWE, KTÓRE ZUTYLIZOWANE W NIEDOZWOLONY SPOSÓB, MOGĄ BYĆ ŹRÓDŁEM POTENCJALNYCH SKUTKÓW DLA ŚRODOWISKA NATURALNEGO ORAZ ZDROWIA LUDZKIEGO!
 Prawidłowe usunięcie zużytego produktu, zapobiegnie negatywnym skutkom dla środowiska naturalnego i zdrowia ludzkiego.



Urządzenie jest wyposażone w baterie objęte dyrektywą europejską 2006/66/EC. Baterii nie wolno wyrzucać razem z odpadami gospodarstwa domowego. Należy zapoznać się z lokalnymi przepisami dotyczącymi oddzielnej zbiórki baterii, ponieważ prawidłowa utylizacja zapobiegnie potencjalnym negatywnym skutkom dla środowiska naturalnego i zdrowia ludzkiego.

Informacje o ochronie środowiska naturalnego

Opakowanie zawiera tylko niezbędne elementy. Dołożono wszelkich starań, aby trzy materiały składowe opakowania były łatwe do oddzielenia: karton (pudełko), pianka polistyrenowa (zabezpieczenia wewnątrz) i polietylen (torebki, arkusz ochronny). Urządzenie wyprodukowano z materiałów, które można poddać recyklingowi i użyć ponownie po ich demontażu przez wyspecjalizowaną firmę. Należy przestrzegać lokalnych przepisów dotyczących utylizacji materiałów opakowaniowych, zużytych baterii i niepotrzebnych urządzeń.

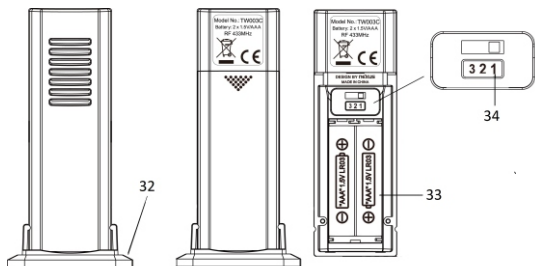
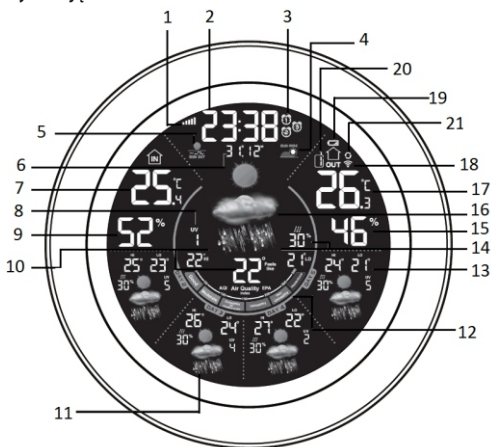
Nagrywanie i odtwarzanie materiałów może wymagać uzyskania zgody. Patrz ustawa o prawach autorskich i prawach wykonawców/artystów.

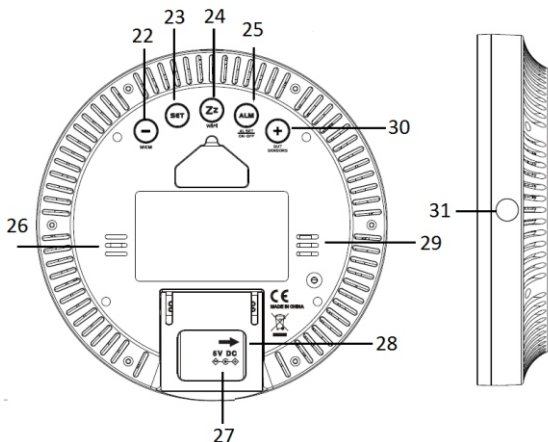
Dziękujemy za zakup naszej stacji pogodowej. Ten model posiada poniższe funkcje.

Funkcje

- Obsługa aplikacji TUYA
- 5-dniowa prognoza pogody, indeks promieniowania UV, najniższa/najwyższa temperatura
- Temperatura wewnętrzna/zewnętrzna
- Wilgotność wewnętrzna/zewnętrzna
- Alarm z funkcją drzemki
- Obsługa maksymalnie 3 zewnętrznych czujników bezprzewodowych nadających sygnał na różnych kanałach (1 czujnik w zestawie)
- Wskaźnik komfortu termicznego w pomieszczeniu
- Barometr

Wyświetlacz i elementy sterujące






- 1- Ikona sygnału Wi-Fi 2- Zegar 3- Alarm 1/2/3 4- Ikona wschodu słońca
 5- Ikona zachodu słońca 6- Kalendarz 7- Temperatura wewnętrzna 8- Indeks UV
 9- Wilgotność wewnętrzna
 10- Temperatura odczuwalna i indeks PM2.5 (wyświetlane na wyświetlaczu naprzemiennie)
 11- Prognoza pogody 12- Indeks jakości powietrza
 13- Najniższa i najwyższa wartość temperatury 14- Opady deszczu 15- Wilgotność zewnętrzna
 16- Prognoza pogody 17- Temperatura zewnętrzna
 18- Ikona sygnału zewnętrznego czujnika bezprzewodowego
 19- Wskaźnik niskiego poziomu naładowania baterii czujnika bezprzewodowego. (Jeśli pojawi się taka ikona, wymień baterię czujnika zewnętrznego na nową).
 20- Numer zewnętrznego czujnika bezprzewodowego
 21- Ikona włączonej funkcji automatycznego przewijania wskazań
 22- Przycisk pamięci MEM i "-" 23- Przycisk ustawień SET 24- Przycisk drzemki i sygnału Wi-Fi
 25- Przycisk ustawiania, włączania i wyłączenia alarmu ALM 26- Otwory wentylacyjne
 27- Gniazdo zasilania DC - IN 28- Składana podstawka 29- Otwory wentylacyjne
 30- Przycisk "+" i zmiany kanałów czujników zewnętrznych
 31- Okno czujnika automatycznego podświetlenia 32- Wieszak
 33- Komora baterii czujnika bezprzewodowego
 34- Przełącznik numeru kanału czujnika zewnętrznego

Podłączenie zasilania


Podłącz dostarczony zasilacz AC/DC do domowego gniazdka AC, aby uzyskać źródło zasilania, podłącz złącze DC zasilacza do gniazda zasilania DC z boku tylnego panelu, przełóż przewód zasilający przez środkowy otwór składanej podstawki. Wyświetlacz się zaświeci, a następnie urządzenie będzie gotowe do pracy.

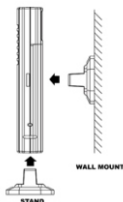
Otwórz pokrywę komory baterii zewnętrznego czujnika bezprzewodowego, włóż 2 baterie AAA (brak w zestawie) do komory zgodnie z prawidłową polaryzacją pokazaną w komorze. Zalecamy stosowanie wysokiej jakości baterii alkalicznych, aby uzyskać najlepszą wydajność produktu. Nie zaleca się stosowania baterii o dużej wytrzymałości lub akumulatorów.

Odbiór sygnału z zewnętrznego czujnika bezprzewodowego

Po poprawnym podłączeniu zasilania, stacja pogodowa automatycznie wykrywa i odbiera sygnał z pomiaru temperatury i wilgotności zewnętrznej z zewnętrznego czujnika bezprzewodowego. Wyszukiwanie sygnału zajmie maksymalnie 3 minuty. Podczas wyszukiwania, wskaźnik odbioru sygnału z czujnika bezprzewodowego  (w pobliżu ikony numeru kanału czujnika zewnętrznego) będzie migał i ustabilizuje się po pomyślnym odebraniu sygnału. Jeśli stacja nie otrzyma sygnału z czujnika zewnętrznego, wskaźnik odbioru sygnału zniknie po upływie 3 minut a wyświetlacz, zamiast danych temperatury i wilgotności zewnętrznej, pokaże następujący symbol: „- -”. Jeśli zajdzie potrzeba ponownego połączenia czujnika, naciśnij i przytrzymaj przez 3 sekundy przycisk wyboru kanału czujnika zewnętrznego (30) z tyłu jednostki głównej. Urządzenie ponownie przeskanuje i odbierze sygnał z jednego lub większej ilości dostępnych czujników, jeden po drugim.

Umieszczenie urządzenia oraz inne uwagi

1. Ważne: Stacja pogodowa może połączyć się i pracować z maksymalnie 3 czujnikami zewnętrznymi (w zestawie jest tylko jeden czujnik). Jeśli posiadasz 2 lub 3 czujniki bezprzewodowe, należy każdy z nich ustawić na innym kanale nadawania, aby wszystkie działały w tym samym czasie. Aby sprawdzić i zmienić kanał (dostępne są 3 kanały), otwórz komorę baterii czujnika bezprzewodowego i za pomocą przycisku CH ustaw czujnik na odpowiednim kanale. Krótkie naciśnięcie przycisku wyboru kanału (CH) na panelu bocznym stacji pogodowej, umożliwi sprawdzanie i przełączanie danych ze wszystkich sparowanych bezprzewodowych czujników zewnętrznych. Krótkie naciśnięcie przycisku kanału czujników zewnętrznych (30) na tylnym panelu umożliwi sprawdzenie i przełączanie danych z różnych zewnętrznych czujników bezprzewodowych. Naciskaj ten przycisk wielokrotnie, aż pojawi się niniejsza ikona , aby wyświetlić naprzemiennie dane dotyczące temperatury i wilgotności z wszystkich podłączonych czujników. Naciśnij przycisk ponownie, aby anulować funkcję.
2. Prosimy umieścić i używać stację pogodową oraz zewnętrzny czujnik w odległości 1,5~2 metrów od źródeł zakłóceń, takich jak monitory komputerowe lub telewizory. Stację pogodową należy również umieścić z daleka od okien z metalowymi ramami.
3. Nie używaj innych produktów elektronicznych, takich jak słuchawki lub głośniki, działających na tej samej częstotliwości sygnału (433 MHz), ponieważ mogą one powodować zakłócenia. Pamiętaj, że jeśli Twój sąsiedzi używają urządzeń elektronicznych działających na tej samej częstotliwości sygnału (433 MHz) to również mogą one powodować zakłócenia w poprawnym działaniu.
4. Aby zapewnić dokładny pomiar temperatury wewnętrznej, umieść stację pogodową w suchym miejscu, wolnym od brudu i kurzu. Wybierz miejsce z dala od bezpośredniego działania światła słonecznego i innych źródeł ciepła a także z daleka od otworów wentylacyjnych.
5. Czujnik bezprzewodowy można zainstalować na zewnątrz. Aby uzyskać możliwie najlepszą dokładność pomiaru, umieść czujnik w pozycji pionowej, na wysokości co najmniej 1,5 ~ 2 metrów od ziemi, w miejscu osłoniętym od deszczu i z dobrą cyrkulacją powietrza. Nie należy wystawiać czujnika na bezpośrednie działanie promieni słonecznych przez dłuższy czas.
6. Maksymalna odległość robocza czujnika bezprzewodowego wynosi 50 metrów od stacji pogodowej, bez przeszkód pomiędzy nimi.
7. Sygnał z czujnika bezprzewodowego wysyłany jest do stacji każdorazowo w odstępie 114 sekund (kanał 1), 134 sekund (kanał 2), 158 sekund (kanał 3).
8. Możesz ustawić czujnik w pozycji pionowej lub zamocować na ścianie, jak pokazano poniżej.



Instalacja aplikacji TUYA oraz konfiguracja


Ważne: Przed rozpoczęciem pobierania aplikacji TUYA i łączenia urządzenia z siecią Wi-Fi, upewnij się, że twój smartfon jest połączony z siecią Wi-Fi 2.4G lub siecią hybrydową 2.4/5G, a także włącz funkcję Bluetooth. Urządzenie nie obsługuje sieci 5GHz.

Aplikacja TUYA smart: Używając smartfona zeskanuj poniższy kod QR i pobierz aplikację "Tuya smart" (w zależności od systemu IOS lub Android) na swoje urządzenie. Możesz również wyszukać aplikację Tuya smart w sklepie Apple lub Google Play, w celu jej pobrania. Następnie uruchom aplikację na swoim urządzeniu, sprawdź i zaznacz odpowiednie zgody, zarejestruj się lub zaloguj na swoje konto, zgodnie z poleceniami pojawiającymi się na ekranie smartfona.



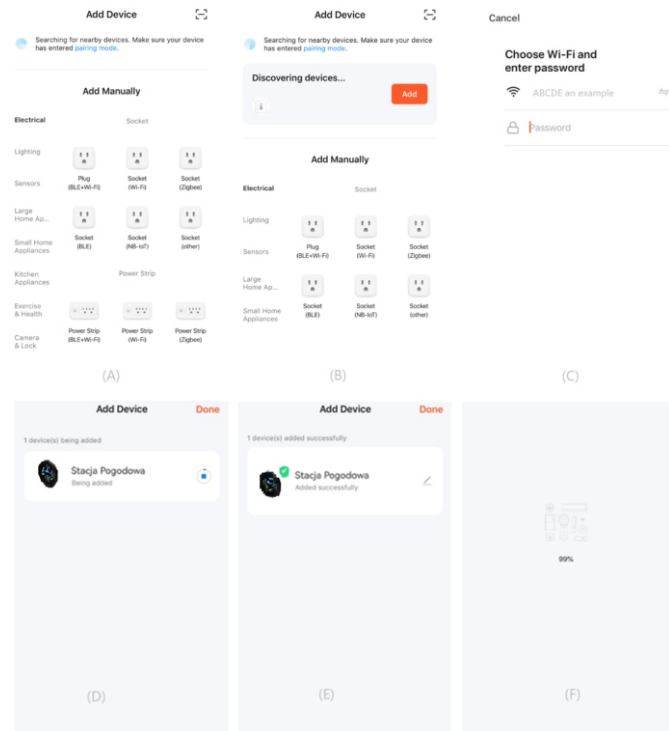
For Android

For iOS

Parowanie i konfiguracja sieci Wi-Fi: Włącz stację pogodową, naciśnij i przytrzymaj przez 3 sekundy przycisk Wi-Fi (24) na tylnym panelu i przejdź do trybu parowania. Symbol sieci  zacznie migać na wyświetlaczu. Otwórz aplikację Tuya smart na swoim urządzeniu, dotknij „Dodaj urządzenie” (zdjęcie A) i wyszukaj urządzenie w aplikacji (może poprosić o dostęp do lokalizacji, prosimy o wyrażenie zgody), sprawdź listę wykrywania urządzeń i dotknij przycisk „Dodaj” (patrz zdjęcie B), wybierz nazwę domowej sieci Wi-Fi i wprowadź hasło zgodnie z prośbą. Stacja pogodowa sparuje się z aplikacją, następnie naciśnij przycisk „Gotowe” (patrz zdjęcie D i E). Aplikacja rozpocznie konfigurację i prześle lokalną 5-dniową prognozę pogody/indeks UV/dane temperatury itp. na wyświetlacz stacji pogodowej. W razie potrzeby naciśnij i przytrzymaj przycisk Wi-Fi, aby zresetować połączenie Wi-Fi między aplikacją a urządzeniem, a następnie postępuj zgodnie z instrukcjami powyżej, aby ponownie nawiązać połączenie.

Obsługa stacji pogodowej za pomocą aplikacji TUYA

Alarm/drzemka: W aplikacji możesz ustawić 3 alarmy. Alarm aktywuje się w formie sygnału dźwiękowego o ustalonej porze. Krótkie naciśnięcie dowolnego przycisku może anulować dźwięk alarmu a alarm włączy się ponownie o tej samej porze następnego dnia. Krótkie naciśnięcie przycisku drzemki (24) powoduje przejście urządzenia w tryb drzemki. Alarm włączy się po upływie ustawionego czasu drzemki. Dźwięk alarmu będzie trwał przez 5 minut i wyłączy się automatycznie w przypadku braku dalszych operacji.



Inne: Z poziomu aplikacji (naciskając odpowiedni przycisk na dole ekranu) możesz również ustawić alert o przekroczeniu limitu temperatury wewnętrznej i zewnętrznej, uzyskać krzywą wykresu temperatury/wilgotności wewnętrznej i zewnętrznej oraz wybrać jednostkę temperatury °C (stopnie Celsjusza) lub °F (stopnie Fahrenheita). Jeśli ustawisz i włączysz alert o przekroczeniu limitu temperatury, to w sytuacji, gdy zmierzona temperatura przekroczy ustawiony limit, urządzenie będzie emitować sygnał ostrzegawczy.

Uwaga:

- Zarówno stacja pogodowa, jak i smartfon z zainstalowaną aplikacją powinny być połączone z tą samą siecią Wi-Fi.
- W przypadku, gdy zabierzesz smartfon poza zasięg działania sieci Wi-Fi, stacja pogodowa może łączyć się i pracować bezpośrednio z Twoją siecią Wi-Fi.



c. W przypadku zmiany sieci Wi-Fi lub hasła Wi-Fi, należy ponownie sparować stację pogodową za pomocą smartfona. Możesz najpierw usunąć urządzenie z aplikacji Tuya, następnie ponownie je sparować w taki sam sposób, jak zostało to wcześniej opisane w niniejszej instrukcji.

d. W przypadku utraty lub niekompletności informacji o prognozie pogody na wyświetlaczu, spróbuj otworzyć aplikację Tuya, odświeżyć i ponownie podłączyć stację pogodową w aplikacji.

e. Możesz zmienić nazwę urządzenia, dotykając ikony ołówka (zwykle obok nazwy urządzenia) w aplikacji.

f. Stacja pogodowa obsługuje również aplikację Smart Life. Możesz przejść do sklepu Apple Store lub Google Play i wyszukać aplikację Smart Life-Smart Living do pobrania. Połączenie z aplikacją jest podobne jak w przypadku aplikacji TUYA.

UWAGA

Gdy stacja pogodowa działa przez jakiś czas, odłączenie zasilania i szybkie ponowne podłączenie spowoduje wyższe odczyty temperatury i niższe odczyty wilgotności (spowodowane pozostałym ciepłem wewnątrz urządzenia). Wystarczy pozostawić stację pogodową włączoną na kolejne 15-30 minut, a odczyty temperatury i wilgotności znów staną się stabilne i dokładne.

Włączenie klimatyzatora lub wentylatora elektrycznego w kierunku stacji pogodowej może spowodować nieznaczne obniżenie wskazań temperatury w pomieszczeniu.

Ręczne ustawienia systemu: naciśnij i przytrzymaj przycisk set (23), aż cyfra godziny zacznie migać na wyświetlaczu, naciśnij przycisk + lub -, aby ustawić godzinę, naciśnij krótko przycisk set, aby przejść do ustawienia minut, użyj tej samej operacji, co ustawienie godziny zegara, aby zakończyć pozostałe ustawienia dla minut/ formatu zegara-12 i 24 godziny/roku/miesiąca/daty/formatu miesiąca i daty/jednostki temperatury/temperatury odczuwalnej lub PM2.5/jednostki ciśnienia powietrza/ czujnika światła (wł./wył.)/czasu drzemki (5–60 minut). Naciśnij i przytrzymaj przycisk + lub -, aby przyspieszyć ustawianie. Naciśnij przycisk set ponownie, aby zakończyć i wyjść z ustawień. Pozostawienie urządzenia bez żadnej operacji przez 10 sekund, spowoduje wyjście z procedury ustawiania.

Ręczne ustawienie alarmu: naciśnij i przytrzymaj przycisk alarmu (25), aż ikona alarmu1 i cyfra godziny zaczną migać na wyświetlaczu, naciśnij przycisk + lub -, aby ustawić godzinę alarmu. Naciśnij przycisk alarmu ponownie, aby przejść do ustawienia minut alarmu. Użyj tej samej operacji, co ustawienie godziny alarmu, aby zakończyć pozostałe ustawienia minut alarmu/trybu alarmu (według daty (1-7) i dnia roboczego (1-5) i weekendu (6-7)); następnie kontynuuj ustawianie alarmu 2/alarmu 3, co jest taką samą operacją jak ustawienie alarmu 1. Naciśnij i przytrzymaj przycisk + lub -, aby przyspieszyć ustawianie. Naciśnij przycisk alarmu ponownie, aby zakończyć i wyjść z ustawienia. Naciśnij krótko przycisk alarmu, aby włączyć alarm 1; naciskaj przycisk alarmu kilkakrotnie, aby włączyć lub wyłączyć pozostałe alarmy, a odpowiednia ikona alarmu pojawi się na wyświetlaczu. Upewnij się, że ikona alarmu pojawi się na wyświetlaczu po ustawieniu, w przeciwnym razie funkcja alarmu nie zadziała.

Budzenie i drzemka: Gdy nadejdzie ustawiony czas alarmu, stacja pogodowa wyemituje sygnał dźwiękowy. Odpowiednia ikona alarmu zacznie migać na wyświetlaczu. Naciśnij przycisk alarmu, aby anulować dźwięk alarmu, a alarm włączy się o tej samej porze następnego dnia. Naciśnij przycisk drzemki, aby tymczasowo anulować dźwięk alarmu, alarm włączy się ponownie zgodnie z ustawionym czasem drzemki. Czas trwania dźwięku alarmu wynosi 5 minut i wyłączy się automatycznie w przypadku braku dalszych działań.

Automatyczny czujnik oświetlenia: Stacja pogodowa jest wyposażona w automatyczny czujnik oświetlenia. Jasność wyświetlacza i zostanie dostosowana automatycznie do panujących w pomieszczeniu warunków oświetleniowych. Regulacja podświetlenia wyświetlacza: Gdy czujnik światła jest ustawiony na wyłączony. Naciśnij przycisk drzemki, aby wybrać jasność wyświetlacza na poziomie HI (wysoki), MED. (średni) lub LO (niski).

Czas wschodu i zachodu słońca: w trybie wyświetlania czasu naciśnij przycisk set (23), aby sprawdzić czas wschodu słońca, naciśnij go ponownie, aby sprawdzić czas zachodu słońca. Naciśnij przycisk set 3 razy, aby naprzemiennie wyświetlać czas wschodu i zachodu słońca. Naciśnij przycisk set ponownie, aby powrócić do trybu standardowego.

Wskaźnik prognozy pogody

				
Słonecznie	Częściowe zachmurzenie	Zachmurzenie	Deszczowo	Burzowo
				
Wietrznie	Mgła	Zamglenia	Mroźnie	

Wskaźnik jakości powietrza (AQI/EPA)

Jakość powietrza	Wskaźnik jakości powietrza	Kogo powinno to niepokoić?
Dobra	0-50	To świetny dzień na aktywność na świeżym powietrzu.
Umiarkowana	51-100	Niektóre osoby mogą być wyjątkowo wrażliwe na zanieczyszczenia cząsteczkowe. Grupy szczególnie wrażliwe: Należy rozważyć ograniczenie długotrwałego lub ciężkiego wysiłku. Wszyscy pozostali: To dobry dzień, żeby spędzić czas na świeżym powietrzu.
Niezdrowa dla osób wrażliwych	101-150	Do grup wrażliwych zalicza się osoby cierpiące na choroby serca lub płuc, osoby starsze, dzieci i młodzież. Grupy wrażliwe: należy ograniczyć długotrwały lub ciężki wysiłek fizyczny.
Niezdrowa	151-200	Grupy wrażliwe: Należy unikać długotrwałego lub dużego wysiłku. Wszyscy inni: Zmniejsz długotrwały lub ciężki wysiłek. Rób więcej przerw podczas wszystkich aktywności na świeżym powietrzu.
Bardzo niezdrowa	201-300	Grupy wrażliwe: należy unikać wszelkiej aktywności fizycznej na świeżym powietrzu. Wszyscy pozostali: należy unikać długotrwałego lub dużego wysiłku.
Niebezpieczna	301-500	Grupy wrażliwe: pozostań w domu i utrzymuj niski poziom aktywności fizycznej. Wszyscy: Unikaj wszelkiej aktywności fizycznej na świeżym powietrzu.

Aby odczytać maksymalne i minimalne temperatury i wilgotności wewnątrz i na zewnątrz: W trybie wyświetlania czasu naciśnij przycisk „-” (22) raz, aby wyświetlić maksymalne wskazanie temperatury wewnątrz i na zewnątrz oraz rekordy wilgotności z ikonami „MAX” pojawiającymi się na wyświetlaczu. Naciśnij przycisk „-” ponownie, aby wyświetlić minimalne temperatury wewnątrz i na zewnątrz oraz rekordy wilgotności z ikonami „MIN” pojawiającymi się na wyświetlaczu.

Gdy wyświetlane są wartości maksymalne lub minimalne, naciśnij i przytrzymaj przycisk -, aby zresetować oba rekordy (minimalne i maksymalne), a urządzenie zacznie ponownie rejestrować wartości maksymalne i minimalne.

Rozwiązywanie problemów

Brak informacji na wyświetlaczu	<ul style="list-style-type: none"> ✧ Sprawdź, czy zasilacz AC/DC jest prawidłowo podłączony do urządzenia.
Temperatura/wilgotność z czujnika zewnętrznego nie jest wyświetlana.	<ul style="list-style-type: none"> ✧ Sprawdź, czy odległość między stacją a czujnikiem nie przekracza 30 m (zalecane) ✧ Upewnij się, że stacja i czujnik znajdują się w odległości co najmniej 2 m od monitorów i telewizorów. ✧ Unikaj umieszczania urządzeń na lub w pobliżu ram okiennych wykonanych z metalu. ✧ Unikaj używania stacji w pobliżu urządzeń elektronicznych, takich jak głośniki, które działają na tej samej częstotliwości (433 MHz). ✧ Proszę dokładnie sprawdzić, czy dostarczone 3 czujniki bezprzewodowe zostały ustawione na różnych kanałach. ✧ Wymij baterie, odczekaj chwilę, a następnie włóż je ponownie.
Brak informacji o prognozie pogody na wyświetlaczu	<ul style="list-style-type: none"> ✧ Spróbuj odświeżyć połączenie stacji pogodowej z aplikacją Tuya. ✧ Spróbuj ponownie połączyć stację pogodową z aplikacją Tuya.

Dane techniczne**Zakres temperatur**

Wewnątrz: -10°C/14°F~50°C/122°F (wyświetlacz pokazuje HH.H / LL.L, jeśli odczyt jest poza tym zakresem)

Na zewnątrz: -40°C/-40°F~60°C/140°F (wyświetlacz pokazuje HH.H / LL.L, jeśli odczyt jest poza tym zakresem)

Zakres wilgotności

Wewnątrz: 1%-99% (wyświetlacz pokazuje HH.H / LL.L, jeśli odczyt jest poza tym zakresem)

Na zewnątrz: 1%-99% (wyświetlacz pokazuje HH.H / LL.L, jeśli odczyt jest poza tym zakresem)

Rozdzielczość temperatury: 0,2°F / 0,1°C

Dokładność odczytu temperatury wewnątrz: +/- 1°C

Dokładność odczytu temperatury na zewnątrz: +/- 1°C

Rozdzielczość RH%: 1%

Dokładność odczytu wilgotności wewnętrznej i dokładność odczytu wilgotności zewnętrznej:

30% ~ 70% ±5%

Poza tymi zakresami: ±7%

Format czasu: 24 godziny

Czas: 0:00

Alarm 1, 2 i 3: 6:00 rano

Czas trwania alarmu: 5 minut

Czas trwania drzemki: 5 minut

Kalendarz: Data-Miesiąc / Miesiąc-Data

Format czasu: 12 / 24 godziny

Temperatura: °C/°F

Ciśnienie powietrza: hPa / inHg

PM 2.5: 0 - 999 ug/m3

Częstotliwość transmisji: 433 Mhz

Zasięg transmisji: 50 m (otwarta przestrzeń)

(Uwagi: specyfikacja produktu może ulec zmianie bez wcześniejszego powiadomienia).

Důležité informace

- Uchovejte tento návod a bezpečnostní informace pro jejich použití v budoucnu.
- Nedovolte, aby na přístroj kapala nebo se lila tekutina.
- Nepoužívejte ve vlhkých místech, jako např. koupelny.
- Neumísťujte tento přístroj na následujících místech:
- Vystavených přímému slunečnímu záření nebo blízko radiátorů.
- Na jiná stereofonní zařízení, která generují teplo.
- Blokovat větrání nebo umísťovat v prašném prostředí.
- V prostorech vystavených otřesům.
- V prostorech s vysokou vlhkostí.
- Neumísťujte zařízení v blízkosti otevřeného ohně nebo svíčky.
- Zařízení lze použít pouze tak, jak je popsáno v tomto návodu.
- Před prvním zapnutím se ujistěte, že napájení bylo řádně připojeno.

Z bezpečnostních důvodů neodstraňujte kryty a nesazte se dostat dovnitř zařízení. Přístroj by měl být opravován pouze kvalifikovaným servisním personálem. Nerozebírejte zařízení ani neotevírejte kryt, protože uvnitř nejsou žádné díly, které mohou být opraveny vlastními silami. Údržbou a opravami zařízení se zabývá výhradně kvalifikovaný servisní personál.

BEZPEČNOSTNÍ POKYNY

1. Přečtěte si pokyny - před použitím zařízení si přečtěte celý návod a bezpečnostní informace.
2. Tyto pokyny uschovejte - uschovejte návod k použití pro použití v budoucnu.
3. Dodržujte varování - dodržujte veškerá varování umístěná na zařízení a v souladu s pokyny.
4. Dodržujte pokyny - postupujte podle pokynů a návodu pro uživatele.
5. Instalace - nastavte zařízení podle pokynů výrobce.
6. Napájecí zdroje - tento produkt by měl být napájen pouze ze zdrojů uvedených na označení na napájecím kabelu. Pokud si nejste jisti, jaký typ napájení máte doma, měli byste se obrátit na svého prodejce nebo místního dodavatele elektrické energie.
7. Voda a vlhkost - aby se snížilo riziko poruchy nebo úrazu elektrickým proudem, nevystavujte přístroj působení deště, vody a vlhkosti, jako například v sauně, nebo v koupelně. Nepoužívejte toto zařízení v blízkosti vody, například u vany, umyvadla, kuchyňského dřezu nebo prádelní vany, ve vlhkém sklepě nebo v blízkosti bazénu (nebo na podobných místech).
8. Objekty a kapaliny v zařízení – Nevkládejte objekty přes otvory, protože mohou přijít do styku s body nebezpečného napětí a komponenty, které mohou způsobit poruchu nebo úraz elektrickým proudem. Tekutiny by za žádných okolností neměly vniknout na povrch přístroje. Nepokládejte žádné předměty obsahující kapaliny na horní část zařízení.
9. Servis - Nepokoušejte se o vlastnoruční prohlídky zařízení. Otevření krytu může způsobit nebezpečné napětí a vystavit uživatele na nebezpečí. Údržbou a opravami zařízení se zabývá výhradně kvalifikovaný servisní personál.
10. Náhradní díly - při výměně dílů, zkontrolujte, zda zaměstnanec servisu použil náhradní díly specifikované výrobcem, nebo díly stejné jako původní. Výměna za neschválené díly hrozí poruchou, úrazem elektrickým proudem nebo jiným nebezpečím.
11. Maximální okolní teplota zařízení je 35 °C
12. Pokyny týkající se elektrostatických výbojů - v případě, že činnost zařízení je narušena elektrostatickými výboji, vypněte jej a opětovně zapnete nebo přemístíte přístroj do jiného místa.
13. Bateria
 - a. Baterie nie mogą być narażone na działanie nadmiernego ciepła, jak np. promieni słonecznych, ognia itp.

- b. Podczas utylizacji baterii należy zwrócić uwagę na aspekty ochrony środowiska.
- c. Przestroga dotycząca używania baterii: aby nie dopuścić do rozszczelnienia baterii, które może spowodować obrażenia ciała bądź uszkodzenie urządzenia:
 - Podczas wkładania baterii zwrócić uwagę na jej polaryzację (+ i -).
 - Nie wolno jednocześnie używać różnych baterii — starych i nowych baterii standardowych i alkalicznych itd.
 - Należy wyjąć baterie z urządzenia, gdy nie będzie ono używane przez dłuższy czas.

Poznámka o ERP2 (zařízení související se spotřebou energie)

Toto zařízení s ekodesignem je v souladu s požadavky části 2 nařízení Komise (ES) 1275/2008 ke směrnici 2009/125/ES o spotřebě energie kterým se provádí směrnice Evropského parlamentu a Rady 2005/32/ES, pokud jde o požadavky na ekodesign z hlediska spotřeby elektrické energie elektrických a elektronických zařízení určených pro domácnosti a kanceláře v pohotovostním režimu a ve vypnutém stavu.

VAROVÁNÍ

Přístroj by neměl být používán osobami (včetně dětí) s fyzickým, smyslovým nebo mentálním postižením a osobami s nedostatečnými znalostmi a zkušenostmi, pokud nejsou pod dohledem osoby odpovědné za jejich bezpečnost a nebyly poučeny, jak bezpečně používat zařízení. Přítomnost dospělých je nutná v případě, že zařízení obsluhují děti; to umožní zajištění bezpečného provozu zařízení.

1. Nikdy nenechávejte zařízení běžet bez dozoru! Vypněte zařízení, pokud jej nepoužíváte, a to i na krátkou dobu.
2. Neprovazujte přístroj přes externí časovač nebo samostatný systém dálkového ovládání.
3. Aby se zabránilo nebezpečí, v případě poškození napájecího kabelu výměnu by měl dělat výrobce, autorizovaný poskytovatel služeb nebo jiná osoba, mající příslušné kvalifikace.
4. Před použitím zařízení zkontrolujte, zda napětí odpovídá napětí vyskytujícímu se v místní síti.
5. Aby nedošlo k poruše nebo k úrazu elektrickým proudem, nevystavujte zařízení na horka místa, na dešť, vlhkost a prach.
6. Nevystavujte silnému magnetickému poli.
7. Nepokládejte zařízení přímo na zesilovači nebo přijímači.
8. Nepokládejte přístroj na vlhká místa, protože vlhkost poškozuje elektrické součásti.
9. Přenos zařízení z chladného do teplého prostředí nebo do vlhkého prostoru může vést ke kondenzaci vlhkosti na čočce uvnitř přehrávače. V takové situaci, přístroj nebude pracovat správně. Nechte součástí v přístroji po dobu jedné hodiny pro odpařování vlhkosti.
10. Nečistěte zařízení chemickými rozpouštědly, protože mohou zničit lak skříně. Přístroj se čistí čistým, suchým nebo mírně vlhkým hadříkem.

POZOR

Prohlášení o shodě



Blaupunkt Competence Center 2N-Everpol Sp. z o.o. tímto prohlašuje, že je toto zařízení v souladu se základními požadavky a dalšími příslušnými ustanoveními směrnice 2014/53 / EU. Prohlášení o shodě lze získat ze stránky produktu na www.blaupunkt.com.

Odpovědná strana: 2N-Everpol Sp. z o.o., Puławska 403A, 02-801 Varšava, Polsko, Tel: +48 22 688 08 00, E-mail: info@everpol.pl



Naše produkty jsou navrženy a vyrobeny z vysoce kvalitních materiálů a komponent, které jsou recyklovatelné a znovu použitelné.



Pokud je na vašem zařízení symbol přeškrtnutého kontejneru, znamená to, že se na produkt vztahují ustanovení evropské směrnice 2012/19/EU. Na základě toho prosím dodržujte místní předpisy a seznamte se s požadavky na místní systém sběru elektrického a elektronického odpadu a v případě tohoto produktu je dodržujte.

NEVYHAZUJTE TENTO VÝROBEK S DOMÁCÍM ODPADEM!

TENTO PRODUKT OBSAHUJE NEBEZPEČNÉ LÁTKY, SMĚSI A SLOŽKY, KTERÉ V PŘÍPADĚ NEAUTORIZACE MOHOU BÝT ZDROJEM POTENCIÁLNÍCH VLIVŮ NA PŘÍRODNÍ PROSTŘEDÍ A LIDSKÉ ZDRAVÍ!

Správnou likvidací použitého výrobku zabráníte negativním dopadům na životní prostředí a lidské zdraví. pomůžete předejít možným negativním dopadům na životní prostředí a lidské zdraví.



Výrodek obsahuje baterie podléhající směrnici 2006/66/EC, které nelze vyhazovat do běžného domovního odpadu. Informujte se prosím o místních pravidlech o sběru baterií, neboť správnou likvidací pomůžete předcházet negativním důsledkům pro ČESKÝ životní prostředí a lidské zdraví.

Informace týkající se životního prostředí

Výrodek je zabalen pouze v nezbytném obalu pro jeho ochranu. Snahou naší firmy je, aby byl obalový materiál snadno rozdělitelný na tři materiály: lepenku (krabice), polystyrén (ochranné balení) a polyethylen (sáčky, ochranné fólie z lehčeného plastu). Výrodek se skládá z materiálů, které lze recyklovat a znovu použít v případě demontáže odbornou firmou. Dodržujte prosím místní předpisy týkající se likvidace obalových materiálů, vybitých baterií a starého zařízení. Na nahrávání a přehrávání materiálů může být vyžadován souhlas. Viz Zákon o Copyrightu Act 1956 a Zákon na ochranu umělců Sk 1958-1972.

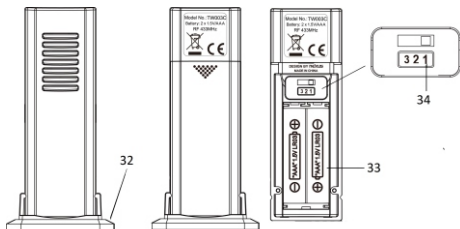
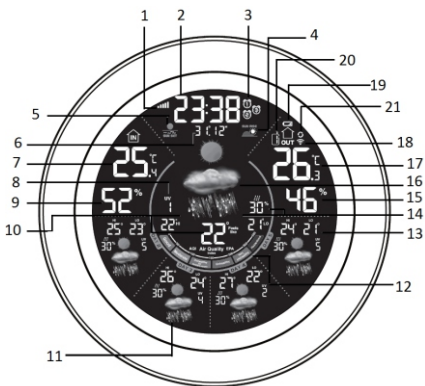
Děkujeme, že jste si zakoupili naši meteorologickou stanici. Tento model má následující funkce.

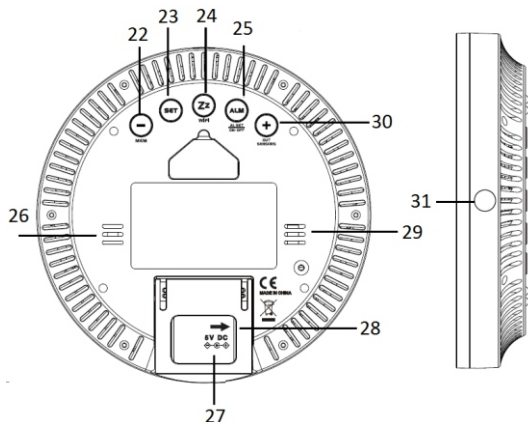
Funkce

- Podpora aplikace TUYA
- Předpověď počasí na 5 dní, UV index, nejnižší/nejvyšší teplota
- Vnitřní/venkovní teplota
- Vnitřní/venkovní vlhkost
- Vnitřní/venkovní vlhkost
- Budík s funkcí odložení
- Podpora až 3 venkovních bezdrátových senzorů přenášejících signály na různých kanálech (1 senzor součástí balení)
- Indikátor tepelného komfortu v místnosti
- Barometr

Před použitím zařízení si prosím pečlivě přečtěte a pochopte tento návod. Uchovejte si prosím návod pro budoucí použití.

Displej a ovládací prvky






- 1- Ikona signálu Wi-Fi 2- Hodiny 3- Budík 1/2/3 4- Ikona východu slunce
 5- Ikona západu slunce 6- Kalendář 7- Vnitřní teplota 8- UV index
 9- Vnitřní vlhkost 10- Cítná teplota a index PM2,5 (zobrazují se střídavě na displeji)
 11- Předpověď počasí 12- Index kvality ovzduší 13- Nejnižší a nejvyšší hodnota teploty
 14- Dešťové srážky 15- Vnější vlhkost 16- Předpověď počasí 17- Venkovní teplota
 18- Ikona signálu externího bezdrátového senzoru 19- Indikátor slabé baterie bezdrátového senzoru. (Pokud se zobrazí tato ikona, vyměňte baterii venkovního senzoru za novou.)
 20- Číslo externího bezdrátového senzoru
 21- Zapnutá funkce automatického posouvání displeje ikona
 22- MEM a tlačítko „-“ 23- Tlačítko nastavení SET 24- Tlačítko Snooze a Wi-Fi signálu
 25- Tlačítko pro nastavení, zapnutí a vypnutí alarmu ALM 26- Větrací otvory
 27- DC zásuvka – IN 28- Skládací stojan 29- Větrací otvory
 30- Tlačítko „+“ a změna kanálů externích senzorů 31- Automatický senzor podsvícení okna
 32- Věšák 33- Příhrádka na baterie bezdrátového senzoru
 34- Přepínač čísla kanálu externího senzoru

Připojení k napájení


Dodaný AC/DC adaptér zapojte do domácí zásuvky střídavého proudu jako zdroj napájení, DC konektor adaptéru připojte do DC zásuvky na boku zadního panelu, napájecí kabel prostrčte středovým otvorem skládacího stojanu. Displej se rozsvítí a přístroj je připraven k použití. Otevřete kryt příhrádky na baterie externího bezdrátového snímače a vložte do ní 2 baterie AAA (nejsou součástí dodávky) podle správné polaritly uvedené na příhrádce. Doporučujeme používat kvalitní alkalické baterie, abyste dosáhli nejlepšího výkonu výrobku. Nedoporučuje se používat těžké baterie nebo dobíjecí baterie.

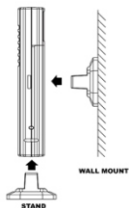
Příjem signálu z venkovního bezdrátového senzoru

Po správném připojení napájení meteorostanice automaticky detekuje a přijímá signál z měření venkovní teploty a vlhkosti z venkovního bezdrátového senzoru. Vyhledávání signálu bude trvat

maximálně 3 minuty. Při vyhledávání indikátor příjmu signálu z bezdrátového senzoru  (v blízkosti ikony čísla kanálu venkovního senzoru) bude blikat a stabilizuje se, jakmile je signál úspěšně přijat. Pokud stanice neoddrží signál z venkovního senzoru, indikátor příjmu signálu po 3 minutách zmizí a na displeji se místo údajů o venkovní teplotě a vlhkosti zobrazí následující symbol: „-“. Pokud potřebujete senzor znovu připojit, stiskněte a podržte po dobu 3 sekund tlačítko volby kanálu externího senzoru (30) na zadní straně hlavní jednotky. Zařízení bude znovu vyhledávat a přijímat signály z jednoho nebo více dostupných senzorů, jeden po druhém.

Umístění zařízení a další poznámky

- Důležité:** Meteostanice se může připojit a pracovat maximálně se 3 venkovními senzory (pouze jeden senzor součástí balení). Pokud máte 2 nebo 3 bezdrátové senzory, každý z nich musí být nastaven na jiný přenosový kanál, aby všechny fungovaly současně. Chcete-li zkontrolovat a změnit kanál (k dispozici jsou 3 kanály), otevřete přihrádku na baterie bezdrátového senzoru a pomocí tlačítka CH nastavte senzor na správný kanál. Krátkým stisknutím tlačítka pro výběr kanálu (CH) na bočním panelu meteostanice můžete zkontrolovat a přepnout údaje ze všech spárovaných bezdrátových venkovních senzorů. Krátkým stisknutím tlačítka kanálu externího senzoru (30) na zadním panelu můžete zkontrolovat a přepínat mezi daty z různých externích bezdrátových senzorů. Opakovaně stisknete toto tlačítko, dokud se nezobrazí tato ikona „“ pro střídavé zobrazení údajů o teplotě a vlhkosti ze všech připojených senzorů. Opětovným stisknutím tlačítka funkce zrušíte.
- Umístěte a používejte meteorologickou stanici a venkovní senzor do vzdálenosti 1,5 ~ 2 metry od zdrojů rušení, jako jsou počítačové monitory nebo televizory. Meteorologická stanice by také měla být umístěna mimo okna s kovovými rámy.
- Nepoužívejte jiné elektronické produkty, jako jsou sluchátka nebo reproduktory, které pracují na stejné frekvenci signálu (433 MHz), jelikož mohou způsobovat rušení. Pamatuje, že pokud Vaši sousedé používají elektronická zařízení pracující na stejné frekvenci signálu (433 MHz), mohou také rušit správnou funkci.
- Pro přesné měření vnitřní teploty umístěte meteostanici na suché místo, bez nečistot a prachu. Vyberte místo mimo přímé sluneční světlo a jiné zdroje tepla, jak rovněž mimo ventilační otvory.
- Bezdrátový senzor lze instalovat venku. Pro nejlepší možnou přesnost měření umístěte senzor ve svislé poloze alespoň 1,5 ~ 2 metry od země, na místě chráněném před deštěm, s dobrou cirkulací vzduchu. Nevystavujte senzor delší dobu přímému slunečnímu záření.
- Maximální pracovní vzdálenost bezdrátového senzoru je 50 metrů od meteostanice, bez jakýchkoli překážek mezi nimi.
- Signál z bezdrátového senzoru je vysílán do stanice v intervalech 114 sekund (kanál 1), 134 sekund (kanál 2), 158 sekund (kanál 3).
- Senzor můžete umístit do svislé polohy nebo jej připevnit na stěnu, jak je znázorněno níže.



Instalace aplikace TUYA a konfigurace

Důležité: Před zahájením stahování aplikace TUYA a připojením zařízení k síti Wi-Fi se ujistěte, že je Váš chytrý telefon připojen k síti Wi-Fi 2,4G nebo hybridní síti 2,4/5G, a zapněte také funkci Bluetooth. Zařízení nepodporuje síť 5GHz.


Aplikace TUYA smart: Pomocí chytrého telefonu naskenujte níže uvedený QR kód a stáhněte si aplikaci „Tuya smart“ (v závislosti na systému IOS nebo Android) do svého zařízení. Aplikaci Tuya smart můžete rovněž vyhledat v obchodě Apple nebo Google Play a stáhnout si ji. Následně spusťte aplikaci na svém zařízení, zaškrtněte a vyberte příslušné souhlasy, zaregistrujte se nebo se přihlaste ke svému účtu, podle pokynů na displeji chytrého telefonu.



For Android



For iOS

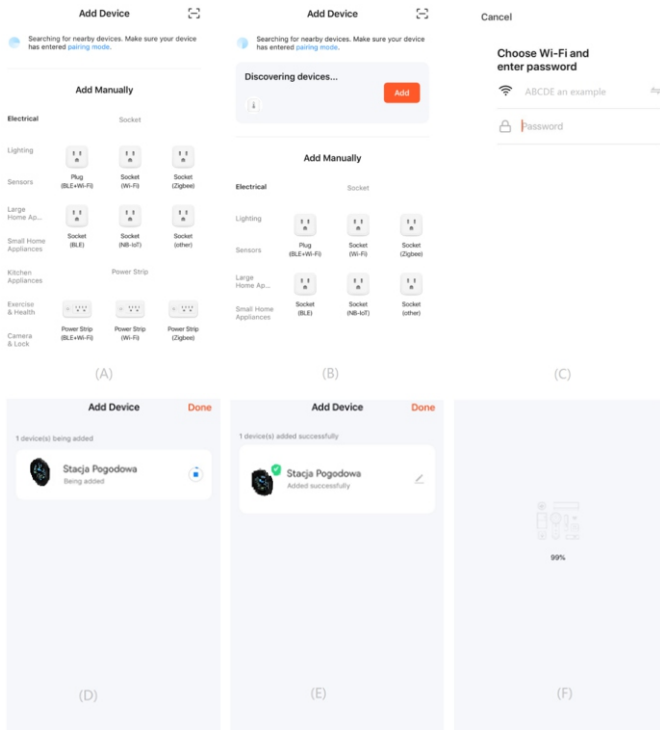
Spárování a konfigurace Wi-Fi: Zapněte meteostanici, stiskněte a podržte horní tlačítko Wi-Fi (24) na zadní panelu, enter to pair mode and the network symbol  na displeji bliká. Otevřete aplikaci Tuya smart na svém zařízení, klikněte na „Přidat zařízení“ (foto A) a vyhledejte zařízení v aplikaci (může vyžadovat přístup k poloze, udělte prosím souhlas), zkontrolujte seznam detekovaných zařízení a klepněte na „Přidat“ (viz foto B), vyberte název své domácí Wi-Fi sítě a zadejte požadované heslo. Meteostanice se spáruje s aplikací a poté stiskněte tlačítko „Hotovo“ (viz foto D a E). Aplikace zahájí konfiguraci a odešle místní 5denní předpověď počasí/UV index/údaje o teplotě atd. na displej meteorologické stanice. V případě potřeby stiskněte a podržte tlačítko Wi-Fi, abyste resetovali připojení Wi-Fi mezi aplikací a zařízením, poté se podle výše uvedených pokynů znovu připojte.

Obsluha meteostanice prostřednictvím aplikace TUYA

Budík/odložení: V aplikaci si můžete nastavit 3 budíky. Budík se aktivuje jako zvukový signál v nastavený čas. Krátkým stisknutím libovolného tlačítka lze zvuk budíku zrušit a budík zazní znovu ve stejnou dobu následující den.

Krátkým stisknutím tlačítka opakovaného buzení (24) přepnete zařízení do režimu opakovaného buzení. Po uplynutí nastavené doby odložení se ozve budík. Budík bude znít po dobu 2 minut a automaticky se vypne, pokud nebudou provedeny žádné další operace.

Jiné: Z úrovně aplikace (stisknutím příslušného tlačítka ve spodní části obrazovky) můžete také nastavit upozornění na překročení limitu vnitřní a venkovní teploty, zobrazit graf vnitřní a venkovní teploty/vlhkosti a vybrat jednotku teploty °C (stupně Celsia) nebo °F (stupně Fahrenheita). Pokud nastavíte a zapnete upozornění na překročení teplotního limitu, v situaci, kdy naměřená teplota překročí nastavený limit, zařízení vydá varovný signál. Krátkým stisknutím horního tlačítka odložení signál zrušíte, na displeji však budou blikat údaje o teplotě, dokud naměřená teplota nebude v rámci nastavených limitů.

**Upozornění:**

- Meteostanice, jak i chytrý telefon s nainstalovanou aplikací by měly být připojeny ke stejné Wi-Fi síti.
- V případě, že vezmete svůj chytrý telefon mimo dosah Wi-Fi, meteostanice se může připojit a pracovat přímo s Vaší sítí Wi-Fi.
- Pokud změníte síť Wi-Fi nebo heslo Wi-Fi, musíte meteorologickou stanicí znovu spárovat pomocí chytrého telefonu. Zařízení můžete nejprve odebrat z aplikace Tuya a poté jej znovu spárovat stejným způsobem, jak bylo popsáno dříve v této příručce.
- V případě ztráty nebo neúplnosti informací o předpovědi počasí na displeji, zkuste prosím otevřít aplikaci Tuya, obnovit a znovu připojit meteostanici v aplikaci.
- Zařízení můžete přejmenovat klepnutím na ikonu tužky (obvykle vedle názvu zařízení) v aplikaci.

f. Meteostanice podporuje také aplikaci Smart Life. Můžete přejít do obchodu Apple Store nebo Google Play, vyhledat aplikaci Smart Life-Smart Living a stáhnout si ji. Připojení k aplikaci je podobné jako u aplikace TUYA.



UPOZORNĚNÍ

Pokud je meteostanice delší dobu v provozu, odpojení napájení a jeho rychlé opětovné připojení povede k vyšším hodnotám teploty a nižším hodnotám vlhkosti (v důsledku zbytkového tepla uvnitř jednotky). Stačí nechat meteostanici zapnutou dalších 15-30 minut a údaje o teplotě a vlhkosti budou opět stabilní a přesné.

Zapnutí klimatizace nebo elektrického ventilátoru směrem k meteorologické stanici může vést k mírnému snížení zobrazení pokojové teploty.




Ruční nastavení systému: stiskněte a podržte tlačítko nastavení (23), dokud na displeji nezačne blikat číslice hodiny, stisknutím tlačítka + nebo - nastavte hodinu, krátkým stisknutím tlačítka nastavení přejděte k nastavení minut, stejnou operací jako u nastavení hodin dokončete zbývající nastavení minut/formátu hodin-12 a 24 hodin/roku/měsíce/data/měsíce a formátu data/jednotky teploty/citlivé teploty nebo PM 2.5/jednotku tlaku vzduchu/senzor osvětlení (zapnuto/vypnuto)/dobu zdřimnutí (5~60 minut). Stisknutím a podržením tlačítka + nebo - nastavení urychlíte. Nastavení ukončíte stisknutím tlačítka budíku. Ponecháte-li přístroj po dobu 10 sekund bez jakékoliv operace, ukončíte postup nastavení.

Ruční nastavení budíku: stiskněte a podržte tlačítko budíku (25), dokud na displeji nezačne blikat ikona budíku 1 a číslice hodiny, stisknutím tlačítka + nebo - nastavte čas budíku. Opětovným stisknutím tlačítka budíku přejdete na nastavení minut budíku. Stejným postupem jako nastavení hodiny budíku dokončete zbývající nastavení minut budíku/režimu budíku (podle data (1-7) a dne v týdnu (1-5) a víkendu (6-7)); pak pokračujte nastavením alarmu 2/alarmu 3, což je stejná operace jako nastavení alarmu 1. Stisknutím a podržením tlačítka + nebo - nastavení urychlíte. Nastavení ukončíte stisknutím tlačítka budíku. Krátkým stisknutím tlačítka alarmu aktivujete alarm 1; opakovaným stisknutím tlačítka budíku zapnete nebo vypnete ostatní budíky a na displeji se zobrazí příslušná ikona budíku. Ujistěte se, že se při nastavení na displeji zobrazí ikona budíku, jinak funkce budíku nebude fungovat.

Probuzení a zdřímnutí: Když nastane nastavený čas buzení, meteostanice zapípá. Na displeji začne blikat příslušná ikona alarmu. Stisknutím tlačítka budíku zvuk budíku zrušíte a budík zazní ve stejnou dobu následující den. Stisknutím tlačítka Snooze dočasně zrušíte zvuk budíku, budík se znovu rozezní podle nastavené doby odložení. Doba trvání zvukového signálu je 5 minut a automaticky se vypne, pokud není provedena žádná další akce.

Automatický světelný senzor: Meteostanice je vybavena automatickým světelným čidlem. Jas displeje a se automaticky upravuje podle světelných podmínek v místnosti. Nastavení podsvícení displeje: Když je světelný senzor nastaven na vypnuto. Stisknutím tlačítka snooze můžete zvolit jas displeje HI (vysoký), MED. (střední) nebo LO (nízký). Čas východu a západu slunce: v režimu zobrazení času stisknutím tlačítka nastavení (23) zkontrolujte čas východu slunce, jeho dalším stisknutím zkontrolujte čas západu slunce. Stisknutím tlačítka nastavení 3krát střídavě přepínáte mezi časy východu a západu slunce. Opětovným stisknutím tlačítka set se vrátíte do standardního režimu.

Indikátor předpovědi počasí

				
Slunečno	Částečně zataženo	Zataženo	Deštivo	Bouřky
				
Větrno	Mlha	Mlhovina /opar	Mráz	

Index kvality ovzduší (AQI/EPA)

Kvalita ovzduší	Indikátor kvality ovzduší	Koho by to mělo zajímat?
Dobrá	0-50	Je to skvělý den pro venkovní aktivity.
Průměrná	51-100	Někteří lidé mohou být extrémně citliví na kontaminaci částicemi. Zranitelné skupiny: Zvažte omezení dlouhodobého nebo těžkého cvičení. Všechny ostatní: Je to dobrý den pro pobyt venku.
Nezdravé pro citlivé osoby	101-150	Mezi zranitelné skupiny patří lidé s onemocněním srdce nebo plic, starší lidé, děti a dospívající. Zranitelné skupiny: dlouhodobé nebo těžké cvičení by mělo být omezeno.
Nezdravé	151-200	Zranitelné skupiny: Je třeba se vyhnout dlouhodobé nebo těžké námaze. Všichni ostatní: Omezte dlouhodobou nebo těžkou námahu. Dělejte si více přestávek při všech venkovních aktivitách.
Velmi nezdravé	201-300	Zranitelné skupiny: je třeba se vyhýbat jakékoli fyzické aktivitě venku. Všichni ostatní: vyhněte se dlouhodobé nebo těžké námaze.
Nebezpečné	301-500	Zranitelné skupiny: zůstaňte doma a udržujte nízkou úroveň fyzické aktivity. Vše: Vyhýbejte se veškeré fyzické aktivitě venku.

Kodečtu maximální a minimální teploty a vlhkosti uvnitř a venku: V režimu zobrazení času stiskněte jednou tlačítko "-" (22), aby se na displeji zobrazily záznamy maximální vnitřní a venkovní teploty a vlhkosti s ikonami "MAX". Opětovným stisknutím tlačítka "-" zobrazíte záznamy o minimálních vnitřních a venkovních teplotách a vlhkosti, přičemž se na displeji zobrazí ikony "MIN".

Když se zobrazí maximální nebo minimální hodnoty, stiskněte a podržte tlačítko - pro resetování obou záznamů (minimálního a maximálního) a přístroj začne znovu zaznamenávat maximální a minimální hodnoty.

Řešení problémů

Žádné informace na displeji	<ul style="list-style-type: none"> ✧ Zkontrolujte, zda je AC/DC adaptér správně připojen k zařízení.
Teplota/vlhkost z venkovního senzoru se nezobrazuje.	<ul style="list-style-type: none"> ✧ Zkontrolujte, zda vzdálenost mezi stanicí a senzorem nepřesahuje 30 m (doporučeno) ✧ Ujistěte se, že se stanice a senzor nachází alespoň 2 metry od monitorů a televizorů. ✧ Neumisťujte zařízení na kovové rámy oken nebo v jejich blízkosti. ✧ Nepoužívejte stanici v blízkosti elektronických zařízení, jako jsou reproduktory, které pracují na stejné frekvenci (433 MHz). ✧ Zkontrolujte prosím, zda jsou dodané 3 bezdrátové senzory nastaveny na různé kanály. ✧ Vyjměte baterie, chvíli počkejte a poté je znovu vložte.
Na displeji nejsou žádné informace o předpovědi počasí	<ul style="list-style-type: none"> ✧ Zkuste osvěžit propojení meteostanice s aplikací Tuya. ✧ Zkuste znovu připojit meteostanici k aplikaci Tuya.

Technické údaje**Rozsah teplot:**

Uvnitř: -10°C/14°F~50°C/122°F (na displeji se zobrazí HH.H / LL.L, pokud je údaj mimo tento rozsah)

Venku: -40°C/-40°F ~C60°C/140°F (na displeji se zobrazí HH.H / LL.L, pokud je údaj mimo tento rozsah)

Rozsah vlhkosti

Uvnitř: 1%-99% (pokud je údaj mimo tento rozsah, zobrazí se na displeji HH.H / LL.L)

Venku: 1%-99% (pokud je údaj mimo tento rozsah, zobrazí se na displeji HH.H / LL.L)

Teplotní rozlišení: 0,2 °F / 0,1 °C

Přesnost měření vnitřní teploty: +/- 1°C

Přesnost měření venkovní teploty: +/- 1°C

Rozlišení RH%: 1 %

Přesnost měření vnitřní vlhkosti a přesnost měření vnější vlhkosti: 30 % ~ 70 % ±5 %

Mimo tato rozmezí: ±7%

Časový formát: 24 hodiny

Čas: 0:00

Alarm 1, 2 a 3: 6:00

Doba trvání alarmu: 5 minutách

Doba trvání funkce Snooze: 5 minutách

Kalendář Datum-měsíc / Měsíc-datum

Časový formát: 12 ~ 24 hodin

Teplota: °C / °F

Tlak vzduchu: hPa / inHg

PM 2,5: 0-999 µg / m³

Přenosová frekvence: 433 Mhz

Rozsah přenosu: 50 m (volný prostor)

(Poznámky: specifikace produktu se mohou změnit bez předchozího upozornění).

Dôležité informácie

- Uschovajte tento návod a bezpečnostné informácie pre ich použitie v budúcnosti.
- Nedovoľte, aby na prístroj kvapkala alebo sa líla tekutina.
- Nepoužívajte vo vlhkých miestach, ako napr. kúpeľne.
- Neumiestňujte tento prístroj na nasledujúcich miestach:
- Vystavených priamemu slnečnému žiareniu alebo blízko radiátorov.
- Na iné stereofónne zariadenie, ktoré generujú teplo.
- Blokovať vetranie alebo umiestňovať v prašnom prostredí.
- V priestoroch vystavených otrasom.
- V priestoroch s vysokou vlhkosťou.
- Neumiestňujte zariadenie v blízkosti otvoreného ohňa alebo sviečky.
- Zariadenie je možné použiť iba tak, ako je popísané v tomto návode.
- Pred prvým zapnutím sa uistite, že napájanie bolo správne pripojené.

Z bezpečnostných dôvodov neodstraňujte kryty a nesnažte sa dostať dovnútra zariadenia. Prístroj by mal byť opravovaný iba kvalifikovaným servisným personálom. Nerozoberajte zariadenie ani neotvárajte kryt, pretože vo vnútri nie sú žiadne diely, ktoré môžu byť opravené vlastnými silami. Údržbou a opravami zariadení sa zaoberá výhradne kvalifikovaný servisný personál.

BEZPEČNOSTNÉ POKYNY

1. Prečítajte si pokyny - pred použitím zariadenia si prečítajte celý návod a bezpečnostné informácie.
2. Tieto pokyny uschovajte - uschovajte návod na použitie pre použitie v budúcnosti.
3. Dodržiavajte varovanie - dodržujte všetky varovania umiestnené na zariadení a v súlade s pokynmi.
4. Dodržiavajte pokyny - postupujte podľa pokynov a návodu pre užívateľa.
5. Inštalácia - nastavte zariadenie podľa pokynov výrobcu.
6. Napájacie zdroje - tento produkt by mal byť napájaný iba zo zdrojov uvedených na označenie na napájacom kábli. Ak si nie ste istí, aký typ napájania máte doma, mali by ste sa obrátiť na svojho predajcu alebo miestneho dodávateľa elektrickej energie.
7. Voda a vlhkosť - aby sa znížilo riziko poruchy alebo úrazu elektrickým prúdom, nevystavujte prístroj pôsobeniu dažďa, vody a vlhkosti, ako napríklad v saune, alebo v kúpeľni. Nepoužívajte toto zariadenie v blízkosti vody, napríklad pri vani, umývadle, kuchynského drezu alebo vane, vo vlhkej pivnici alebo v blízkosti bazéna (alebo na podobných miestach).
8. Objekty a kvapaliny v zariadení - Nevkladajte objekty cez otvory, pretože môžu prísť do styku s bodmi nebezpečného napätia a komponenty, ktoré môžu spôsobiť poruchu alebo úraz elektrickým prúdom. Tekutiny by za žiadnych okolností nemali vniknúť na povrch prístroja. Nekladte žiadne predmety obsahujúce kvapaliny na hornú časť zariadenia.
9. Servis - Nepokúšajte sa o vlastnoručný prehliadky zariadení. Otvorenie krytu môže spôsobiť nebezpečné napätie a vystaviť užívateľia na nebezpečenstvo. Údržbou a opravami zariadení sa zaoberá výhradne kvalifikovaný servisný personál.
10. Náhradné diely - pri výmene dielov, skontrolujte, či zamestnanec servisu použil náhradné diely špecifikované výrobcom, alebo diely rovnaké ako pôvodné. Výmena za neschválenie diely hrozí poruchou, úrazom elektrickým prúdom alebo iným nebezpečenstvom.
11. Maximálna okolitá teplota zariadenia je 35 °C.
12. Pokyny týkajúce sa elektrostatických výbojov - v prípade, že činnosť zariadenia je narušená elektrostatickými výbojmi, vypnite ho a opätovne zapnete alebo premiestnite prístroj do iného miesta.

13. Batérie

A. Batérie nesmú byť vystavené nadmernému teplu, ako je slnečné žiarenie, oheň atď

B. Pri likvidácii batérie, venujte pozornosť environmentálnym aspektom.

C. Upozornenia týkajúce sa používania batérií: aby sa zabránilo úniku batérie, čo môže mať za následok zranenie alebo poškodenie zariadenia:

1. Pri vkladaní batérií dbajte na správnu polaritu (+ a -).
2. Nepoužívajte rôzne batérie naraz - staré a nové batérie, štandardné a alkalické atď
3. Vyberte batérie z prístroja, keď nie je používaný po dlhšiu dobu.

Poznámka o ERP2 (zariadenia súvisiace so spotrebou energie)

Toto zariadenie s ekodizajnom je v súlade s požiadavkami časti 2 nariadenia Komisie (ES) 1275/2008 k smernici 2009/125/ES o spotrebe energie ktorým sa vykonáva smernica Európskeho parlamentu a Rady 2005/32/ES, pokiaľ ide o požiadavky na ekodizajn z hľadiska spotreby elektrickej energie elektrických a elektronických zariadení v domácnosti a kancelárii v pohotovostnom režime a vo vypnutom stave.

VAROVANIE

Prístroj by nemal byť používaný osobami (vrátane detí) s fyzickým, zmyslovým alebo mentálnym postihnutím a osobami s nedostatočnými znalosťami a skúsenosťami, pokiaľ nie sú pod dohľadom osoby zodpovednej za ich bezpečnosť a neboli poučené, ako bezpečne používať zariadenie. Prítomnosť dospelých je nutná v prípade, že zariadenie obsluhujú deti; to umožní zabezpečenie bezpečnej prevádzky zariadenia.

1. Nikdy nenechávajte zariadenie bežať bez dozoru! Vypnite zariadenie, ak ho nepoužívate, a to aj na krátku dobu.
2. Nepoužívajte prístroj cez externý časovač alebo samostatný systém diaľkového ovládania.
3. Aby sa zabránilo nebezpečenstvu, v prípade poškodenia napájacieho kábla výmenu by mal robiť výrobca, autorizovaný poskytovateľ služieb alebo iná osoba, majúca príslušné kvalifikácie.
4. Pred použitím zariadenia skontrolujte, či napätie zodpovedá napätiu vyskytujúcemu sa v miestnej sieti.
5. Aby nedošlo k poruche alebo k úrazu elektrickým prúdom, nevystavujte zariadenie na horúčavy miesta, na dážď, vlhkosť a prach.
6. Nevystavujte silnému magnetickému poľu.
7. Nekladte zariadenie priamo na zosilňovači alebo prijímači.
8. Nekladte prístroj na vlhka miesta, pretože vlhkosť poškodzuje elektrické súčasti.
9. Prenos zariadení z chladného do teplého prostredia alebo do vlhkého priestoru môže viesť ku kondenzácii vlhkosti na šošovke vo vnútri prehrávača. V takejto situácii, prístroj nebude pracovať správne. Nechajte súčasťou v prístroji po dobu jednej hodiny pre odparovanie vlhkosti.
10. Nečistite zariadenie chemickými rozpúšťadlami, pretože môžu zničiť lak skíně. Prístroj sa čistí čistým suchým alebo mierne vlhkou handričkou.

POZNÁMKA



Prehlásenie o zhode

Blaupunkt Competence Center 2N-Everpol Sp. z o.o. týmto prehlasuje, že je toto zariadenie v súlade so základnými požiadavkami a ďalšími príslušnými ustanoveniami smernice 2014/53 / EU. Prehlásenie o zhode je možné získať zo stránky produktu na www.blaupunkt.com.

Zodpovedná strana: 2N-Everpol Sp. z o.o., Puławska 403A, 02-801 Varšava, Poľsko,

Tel: +48 22 688 08 00, E-mail: info@everpol.pl



Naše produkty sú navrhnuté a vyrobené z vysoko kvalitných materiálov a komponentov, ktoré sú recyklovateľné a znovu použiteľné.



Ak sa na vašom zariadení nachádza symbol prečiarknutého odpadkového koša s kolieskami, znamená to, že sa na produkt vzťahujú ustanovenia európskej smernice 2012/19/EÚ. Na základe toho sa prosím riadte miestnymi predpismi a oboznáňte sa s požiadavkami na miestny systém zberu elektrického a elektronického odpadu a v prípade tohto produktu ich dodržujte.

NEVYHADZUJTE TENTO VÝROBOK S DOMÁCIMI ODPADMI!

TENTO VÝROBOK OBSAHUJE NEBEZPEČNÉ LÁTKY, ZMESI A KOMPONENTY, KTORÉ V PRÍPADE BEZ AUTORIZÁCIE MÔŽU BYŤ ZDROJOM POTENCIÁLNYCH VPLYVOV NA PRÍRODNÉ PROSTREDIE A ĽUDSKÉ ZDRAVIE!

Správna likvidácia použitého výrobku zabráni negatívnym vplyvom na životné prostredie a ľudské zdravie.



Výrobok obsahuje batérie, ktoré smernicu 2006/66 / EC nemožno vyhadzovať do bežného domového odpadu. Informujte sa prosím o miestnych pravidlách separovaného zberu batérií, pretože správnu likvidáciou pomôžete predchádzať negatívnym dôsledkom pre životné prostredie a ľudské zdravie.

INFORMÁCIE TÝKAJÚCE SA ŽIVOTNÉHO PROSTREDIA

Výrobok je zabalený len v nevyhnutnom obale pre jeho ochranu. Snahou našej firmy je, aby bol obalový materiál ľahko rozdeliteľný na tri materiály: kartón (krabica), polystyrénová pena (vypodloženie) a polyetylén (vrecká, ochranná penová pokrývka). Výrobok sa skladá z materiálov, ktoré je možné recyklovať a znovu použiť v prípade demontáže odbornou firmou. Dodržujte prosím miestne predpisy týkajúce sa likvidácie obalových materiálov, vybitých batérií a starého zariadenia.

Na nahrávanie a prehrávanie materiálov môže byť vyžadovaný súhlas. Pozri Zákon o copyrightu Act 1956 a Zákon na ochranu umelcov Sk 1958-1972.

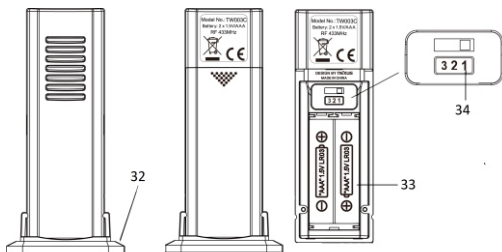
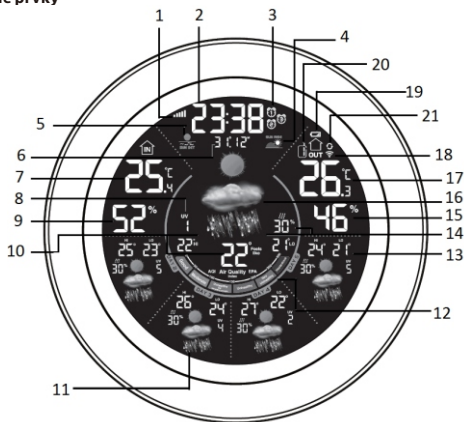
Ďakujeme, že ste si kúpili našu meteostanicu. Tento model má nasledujúce funkcie.

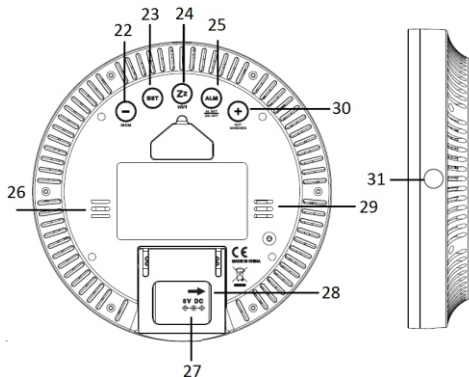
Funkcie

- Používanie aplikácie TUYA
- 5-dňová predpoveď počasia, ukazovateľ UV žiarenia, najnižšia/najvyššia teplota
- Vnútorná/vonkajšia teplota
- Vnútorná/vonkajšia vlhkosť
- Vnútorná/vonkajšia vlhkosť
- Budík s funkciou zdiemnutia
- Obsluhuje až 3 externé bezdrôtové snímače vysielajúce signál na rôznych kanáloch (1 snímač v súpave)
- Ukazovateľ tepelného komfortu v miestnosti
- Barometer

Pozorne sa oboznámte s touto používateľskou príručkou a dôkladne sa oboznámte s jej obsahom ešte pred spustením zariadenia. Príručku uchovajte pre prípadnú potrebu v budúcnosti.

Displej a ovládacie prvky






- 1- Symbol Wi-Fi signálu 2- Hodiny 3- Budík 1/2/3 4- Symbol východu slnka
 5- Symbol západu slnka 6- Kalendár 7- Vnútrná teplota 8- UV index
 9- Vnútrná vlhkosť
 10- Zdanlivá teplota a index PM2,5 (na displeji sa zobrazujú striedavo)
 11- Predpoveď počasia 12- Index kvality ovzdušia
 13- Najnižšia a najvyššia hodnota teploty 14- Zrážky 15- Vonkajšia vlhkosť
 16- Predpoveď počasia 17- Vonkajšia teplota
 18- Symbol signálu externého bezdrôtového snímača
 19- Ukazovateľ nízkej úrovne nabitia batérií bezdrôtového snímača. (Keď sa zobrazí tento symbol, vymeňte batériu externého snímača na novú).
 20- Číslo externého bezdrôtového snímača
 21- Symbol aktívnej funkcie automatického prevíjania displeja
 22- Tlačidlo pamäte MEM a „-“ 23- Tlačidlo nastavení SET
 24- Tlačidlo zdriemnutia a Wi-Fi signálu
 25- Tlačidlo nastavenia, zapnutia a vypnutia budíka ALM
 26- Vetracie otvory 27- Port napájania DC 28- Skladaný podstavec
 29- Vetracie otvory 30- Tlačidlo „+“ a zmeny kanálov externých snímačov
 31- Okno snímača automatického podsvietenia 32- Vešiak
 33- Priehradka batérií bezdrôtového snímača 34- Prepínač čísla kanála externého snímača

Pripojenie napájania


Dodaný AC/DC adaptér zastrčte do el. zásuvky striedavého prúdu, je to zdroj el. napätia, a konektor DC adaptéra zastrčte do DC zásuvky na boku zadného panelu, napájací kábel prestrčte cez stredný otvor skladacieho podstavca. Zapne sa displej, zariadenie je pripravené na použitie.

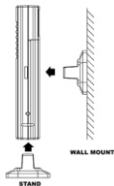
Otvorte veko priehradky batérií externého bezdrôtového snímača, vložte 2 batérie AAA (nie sú v súprave), dodržte správnu polaritu, tak ako je to uvedené v priehradke. Odporúčame, aby ste používali kvalitné alkalické batérie, aby ste získali čo najlepšiu výkonnosť výrobku. Neodporúčame, aby ste používali batérie s dlhou životnosťou či akumulátory/nabíjateľné batérie.

Prijem signálu z externého bezdrôtového snímača

Keď je napájanie správne pripojené, meteostanica automaticky deteguje a prijíma signál z externého snímača o nameranej vonkajšej teplote a vlhkosti. Vyhľadávanie signálu trvá naviac 3 minúty. Počas vyhľadávania ukazovateľ príjmu signálu bezdrôtového snímača  v blízkosti symbolu čísla externého kanála snímača) bliká a začne svietiť po úspešnom prijatí signálu. Ak stanica neprijme signál z externého snímača, ukazovateľ príjmu signálu prestane po 3 minútach blikáť/svietiť, a na displeji sa namiesto údajov o vonkajšej teplote a vlhkosti zobrazí nasledujúci symbol: „-“. Ak potrebujete znovu pripojiť snímač, stlačte a na 3 sekundy podržte tlačidlo výberu kanála externého snímača (30) na zadnej strane hlavnej jednotky. Zariadenie začne opäť vyhľadávať a prijímať signál z jedného alebo viacerých dostupných snímačov, jeden po druhom.

Umiestnenie zariadenia a iné poznámky

- 1. Dôležité:** Meteostanica sa môže pripojiť a pracovať s až 3 externými snímačmi (v súprave je len jeden snímač). Ak máte 2 alebo 3 bezdrôtové snímače, aby všetky fungovali v rovnakom čase, každý z nich musí byť nastavený na inom kanáli. Keď chcete skontrolovať a zmeniť kanál (k dispozícii sú 3 kanály), otvorte priehradku batérií bezdrôtového snímača a tlačidlom CH nastavte snímač na požadovaný kanál. Krátko stlačte tlačidlo výberu kanála (CH) na bočnom paneli meteostanice, môžete skontrolovať a prepínať údaje zo všetkých spárovaných bezdrôtových externých snímačov.
- Krátkym stlačením tlačidla kanála externých snímačov (30) na zadnom paneli môžete skontrolovať a prepínať údaje z rôznych externých bezdrôtových snímačov. Opakovane stláčajte toto tlačidlo, kým nezasvieti symbol , aby sa striedavo zobrazovali údaje ohľadne teploty a vlhkosti zo všetkých pripojených snímačov. Opätovným stlačením tlačidla funkciu zrušíte.
2. Umiestnite a používajte meteostanicu a externý snímač vo vzdialenosti od 1,5 až 2 metre od zdrojov rušenia, ako sú počítačové monitory alebo televízory. Meteostanicu neumiestňujte ani v blízkosti okien s kovovými ráhami.
3. Nepoužívajte iné elektronické výrobky, ako sú slúchadlá alebo reproduktory, ktoré pracujú na rovnakej rádiovkej frekvencii (433 MHz), pretože môžu vytvárať rušenia. Upozorňujeme, že ak vaši susedia používajú elektronické zariadenia pracujúce na rovnakej rádiovkej frekvencii (433 MHz), môžu tiež spôsobovať rušenia.
4. Aby ste zabezpečili presné meranie vnútornej teploty, umiestnite meteostanicu na suché miesto bez nečistôt a prachu. Vyberte miesto chránené pred priamym slnečným žiarením, ako aj pred inými zdrojmi tepla, ako aj v bezpečnej vzdialenosti od rôznych vetracích otvorov. Boli merania čo najpresnejšie, umiestnite snímač v zvislej polohe, vo výške 1,5 ~ 2 metre od zeme, na mieste chránenom pred zrážkami a s dobrou cirkuláciou vzduchu. Snímač chráňte pred dlhodobým priamym slnečným žiarením.
5. Bezdrôtový snímač môžete umiestniť vonku.
6. Maximálny pracovný dosah bezdrôtového snímača je 50 metrov od meteostanice, bez prekážok medzi nimi.
7. Bezdrôtový snímač vysiela signál stanici každých 114 sekúnd (kanál 1), 134 sekúnd (kanál 2), 158 sekúnd (kanál 3).
8. Snímač môžete umiestniť vertikálne alebo ho upevniť na stene, ako je to predstavené nižšie.



Inštalácia aplikácie TUYA a konfigurácia

Dôležité: Predtým, než stiahnete a nainštalujete aplikáciu TUYA, a pripojíte zariadenie k Wi-Fi sieti, uistite sa, či je vaše chytré zariadenie pripojené k Wi-Fi sieti s frekvenciou 2,4 GHz alebo 2,4/5,0 GHz, a zapnite funkciu Bluetooth. Zariadenie nepodporuje 5,0 GHz Wi-Fi sieť.


Aplikácia TUYA smart: Chytrým zariadením naskenuj nižšie uvedený QR kód, stiahnite a nainštalujte aplikáciu „TUYA smart“ (príslušne podľa systému iOS alebo Android). Aplikáciu TUYA smart si môžete stiahnuť v obchode Apple Store alebo Google Play. Následne spustíte aplikáciu vo svojom chytrom zariadení, skontrolujete a zaznačíte príslušné súhlasy a povolenia, zaregistrujete sa alebo sa prihláste na svoj účet, podľa pokynov, ktoré sa zobrazujú na obrazovke chytrého zariadenia.



For Android



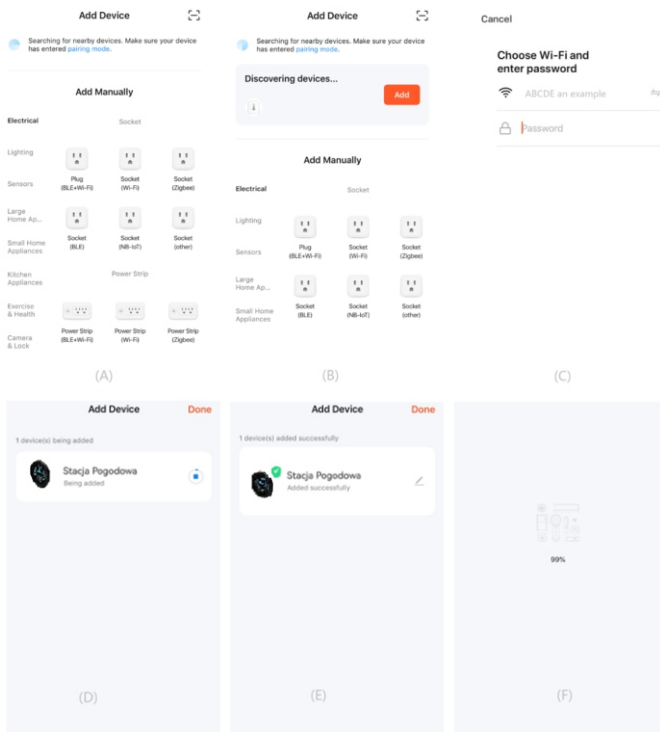
For iOS

Párovanie a konfigurácia Wi-Fi siete: Zapnite meteostanicu, stlačte a na 3 sekundy podržte horné tlačidlo Wi-Fi (24) na zadnom paneli, a aktivujte režim párovania. Symbol siete  začne blikať na displeji. Otvorte aplikáciu „TUYA smart“ na svojom chytrom zariadení, stlačte „Pridať zariadenie“ (obr. A) a vyhľadajte zariadenie v aplikácii (môže požiadať o prístup k polohe, súhlaste), skontrolujte zoznam detegovaných zariadení a stlačte tlačidlo „Pridať“ (obr. B), vyberte názov svojej domácej Wi-Fi siete a zadajte požadované heslo. Meteostanica sa spáruje s aplikáciou, následne stlačte tlačidlo „Hotovo“ (obr. D a E). Aplikácia spustí konfiguráciu a odošle lokálnu 5-dňovú predpoveď počasia/ukazovateľ UV žiarenia/údaje teploty ap., ktoré sa zobrazia na displeji meteostanice.

Keď je to potrebné, stlačte a podržte tlačidlo Wi-Fi, zresetuje sa Wi-Fi prepojenie medzi aplikáciou a zariadením, a následne postupujte podľa vyššie uvedených pokynov, a opäť vytvorte nové prepojenie.

Používanie meteostanice prostredníctvom aplikácie TUYA

Budík/zdriemnutie: V aplikácii môžete nastaviť 3 budíky. Budík sa spustí ako zvukový signál v pevne stanovenom čase. Zvuk budíka vypnete krátkym stlačením ľubovoľného tlačidla, budík sa opäť spustí nasledujúci deň v rovnakom čase. Krátko stlačte tlačidlo zdriemnutia (24), zariadenie sa prepne do režimu zdriemnutia. Budík sa opäť spustí, keď uplynie nastavené trvanie zdriemnutia. Tzvuk budíka bude znížený 5 inúty, a ak nevykonáte žiadnu činnosť, potom sa automaticky vypne.



Iné: V aplikácii (stláčaním príslušného tlačidla v dolnej časti okna) môžete tiež nastaviť výstrahu v prípade prekročenia limitu vnútornej a vonkajšej teploty, zobrazíť graf vnútornej a vonkajšej teploty/vlhkosti, a tiež nastaviť mernú jednotku teploty °C (stupne Celzia) alebo °F (stupne Fahrenheit). Keď nastavíte a aktivujete výstrahu o prekročení limitu teploty, v prípade, keď nameraná teplota prekročí nastavený limit, zariadenie vydá výstražný signál. Krátko stlačte horné tlačidlo zdiemnutia, tento signál zrušíte, avšak údaje teploty budú na displeji blikat dovtedy, kým nameraná teplota neprestane prekračovať nastavené limity.



Pozor:

- Meteostanica ako aj chytré zariadenie s nainštalovanou aplikáciou musia byť pripojené k rovnakej Wi-Fi sieti.
- Ak je vaše chytré zariadenie mimo dosahu danej Wi-Fi siete, meteostanica sa môže pripojiť a pracovať priamo s vašou Wi-Fi sieťou.
- Keď zmeníte Wi-Fi sieť alebo heslo Wi-Fi siete, opäť spárujte meteostanicu a chytré zariadenie. Môžete najprv odstrániť zariadenie z aplikácie TUYA, a následne ho opäť spárovať rovnakým spôsobom, ako je to opísané vyššie v tejto príručke.
- V prípade, ak sa nezobrazujú informácie o predpovedi počasia, alebo ak sú nekompletné, skúste otvoriť aplikáciu TUYA, a v aplikácii opäť pripojiť meteostanicu.
- Môžete zmeniť názov zariadenia, stlačte symbol ceruzky (zvyčajne sa nachádza pri názve zariadenia) v aplikácii.
- Meteostanica podporuje aj aplikáciu Smart Life. Otvorte Apple Store alebo Google Play, vyhľadajte aplikáciu „Smart Life-Smart Living“, a nainštalujte ju. Pripojenie sa vytvára podobne ako v prípade aplikácie TUYA.

POZOR

Keď je meteostanica istý čas spustená, a keď odpojíte napájanie a rýchlo ho opäť pripojíte, bude detegovaná vyššia teplota a nižšia vlhkosť (v dôsledku zvyškového tepla vo vnútri zariadenia). Stačí, keď meteostanicu necháte zapnutú ďalších 15 až 30 minút, a detekcia teploty a vlhkosti bude opäť stabilná a presná.

Keď je spustená klimatizácia alebo ventilátor, a prúd vzduchu je nasmerovaný na meteostanicu, detegovaná teplota môže byť neznáme nižšia než skutočná teplota v miestnosti.

Manuálne nastavenia systému: stlačte a podržte tlačidlo set (23), kým na displeji nezačne blikáť číslica hodiny, tlačidlom „+“ alebo „-“ nastavte požadovanú hodinu, stlačte tlačidlo set, prejdete na nastavenie minút, rovnakým spôsobom, ako pri nastavovaní hodiny, nastavte ostatné nastavenia: minúty/formát času (12/24 hodín)/rok/mesiac/dátum/formát mesiaca a dátumu/jednotka teploty/zdanlivá teplota alebo PM2.5/jednotka tlaku vzduchu/snímač osvetlenia (zap./vyp.)/trvanie zdiemnutia (5 až 60 minút). Stlačte a podržte tlačidlo + alebo -, nastavovaná hodnota sa bude meniť rýchlejšie. Opäť stlačte tlačidlo set, ukončíte a zatvoríte nastavenia. Keď počas 10 sekúnd nevykonáte žiadnu akciu, procedúra nastavovania sa zatvorí.

Manuálne nastavenie budíka: stlačte a podržte tlačidlo budíka (25), kým na displeji nezačne blikať symbol budíka 1, stláčaním tlačidla + alebo - nastavte požadovanú hodinu budíka. Opäť stlačte tlačidlo budíka, prejdete na nastavenie minút budíka. Rovnakým spôsobom, ako pri nastavovaní hodiny budíka, nastavte minúty budíka/režimu budíka (podľa dátumu (1-7) a pracovných dní (1-5), alebo soboty a nedele (6-7)); potom pokračujte a nastavte budík 2/budík 3, ktoré sa nastavujú rovnako ako budík 1. Stlačte a podržte tlačidlo + alebo -, nastavovaná hodnota sa bude meniť rýchlejšie. Opäť stlačte tlačidlo budíka, ukončíte a zatvoríte nastavenia. Budík 1 zapnete krátkym stlačením tlačidla budíka 1; stláčaním tlačidla budíka zapnete alebo vypnete ostatné budíky, na displeji sa zobrazí príslušný symbol budíka. Uistite sa, že sa po nastavení na displeji zobrazuje symbol budíka, v opačnom prípade sa budík v nastavenom čase nezapne.

Budenie a zdiemnutie: Meteostanica v nastavenom čase budíka spustí zvukový signál. Na displeji začne blikať príslušný symbol budíka. Stlačením tlačidla budíka zvonenie budíka vypnete, a budík sa opäť spustí v nasledujúci deň v rovnakom čase. Stlačením tlačidla zdiemnutia dočasne vypnete zvonenie budíka, a budík opäť začne zvoniť po nastavenom trvaní zdiemnutia. Budík zvoní maximálne 5 minút, ak nevykonáte žiadnu ďalšiu akciu, budík sa po tomto čase automaticky vypne.

Automatický snímač osvetlenia: Meteostanica má automatický snímač osvetlenia. Jas displeja sa automaticky prispôbuje podľa intenzity osvetlenia v miestnosti. Nastavenie podsvietenia displeja: Keď je snímač svetla vypnutý. Stlačením tlačidla zdiemnutia môžete vybrať jas displeja na úrovni HI (vysoký), MED. (stredný) alebo LO (nízky). Čas východu a západu slnka: v režime zobrazenia času, keď stlačíte tlačidlo set (23), skontrolujete čas východu slnka, keď opätovne stlačíte, skontrolujete čas západu slnka. Keď stlačíte tlačidlo set 3-krát, striedavo sa bude zobrazovať čas východu a čas západu slnka. Keď opäť stlačíte tlačidlo set, obnoví sa štandardný režim.

Ukazovateľ predpovede počasia

				
Slnéčno	Polooblačno	Oblačno	Zrážky	Búrky
				
Vietor	Hmla	Zahmlenie	Mráz	

Ukazovateľ kvality ovzdušia (AQI/EPA)

Kvalita ovzdušia	Ukazovateľ kvality ovzdušia	Koho by to malo zaujímať?
Dobrá	0-50	It's great day to be active outside.
Stredná	51-100	Je to skvelý deň na aktivity vonku.
Nezdravá pre senzitívne osoby	101-150	Niektoré osoby môžu byť mimoriadne citlivé (senzitívne) na znečistenie ovzdušia malými pevnými čistočkami. Obzvlášť senzitívne skupiny: Zvážte obmedzenie dlhšie trvajúcej alebo väčšej námahy či cvičenia. Všetci ostatní: Je to dobrý deň na trávenie času vonku.
Nezdravá	151-200	Senzitívne skupiny: osoby s ochoreniami srdca alebo pľúc, staršie osoby, deti a mládež. Senzitívne skupiny: obmedzte dlhšie trvajúcu alebo väčšiu fyzickú námahu či cvičenie.
Veľmi nezdravá	201-300	Senzitívne skupiny: Vyhýbajte sa dlhšie trvajúcej alebo väčšej námahe či cvičeniu. Všetci ostatní: Skráťte dlhšie trvajúcu alebo zmenšite väčšiu námahu či cvičenie. Počas všetkých aktivít vonku robte viac prestávok.
Nebezpečná	301-500	Senzitívne skupiny: zostaňte doma a udržiavajte nízku úroveň fyzickej aktivity. Všetci: Vyhýbajte sa všetkým fyzickým aktivitám vonku.

Keď chcete zobraziť najvyššiu a najnižšiu teplotu, ako aj vlhkosť vnútri a vonku: V režime zobrazovania času raz stlačte tlačidlo „-“ (22), keď chcete zobraziť najvyššiu teplotu vnútri a vonku, ako aj najvyššie hodnoty vlhkosti, na displeji sa zobrazia symboly „MAX“. Opäť stlačte tlačidlo „-“, zobrazí sa najnižšia teplota vnútri a vonku, ako aj najvyššie hodnoty vlhkosti, na displeji sa zobrazia symboly „MIN“.

Keď sa zobrazujú najvyššie alebo najnižšie hodnoty, stlačte a podržte tlačidlo „-“, vynulujú sa obe rekordy (najvyššia aj najnižšia hodnota), a zariadenie začne opäť zaznamenávať najvyššie a najnižšie hodnoty.

Riešenie problémov

Žiadne informácie na displeji	<ul style="list-style-type: none"> ✧ Skontrolujte, či je zdroj striedavého/jednosmerného prúdu (AC/DC) správne pripojený k zariadeniu.
Teplota/vlhkosť z externého snímača sa nezobrazuje.	<ul style="list-style-type: none"> ✧ Skontrolujte, či vzdialenosť medzi stanicou a snímačom nepresahuje 30 m (odporúčané). ✧ Uistite sa, či stanica a snímač sú vzdialené aspoň 2 m od monitorov a televízorov. ✧ Neumiestňujte zariadenia na alebo v blízkosti kovových okenných rámov. ✧ Nepoužívajte stanicu v blízkosti elektronických zariadení, ako sú reproduktory, ktoré pracujú na rovnakej frekvencii (433 MHz). ✧ Dôkladne skontrolujte, či dodané 3 bezdrôtové snímače sú nastavené na rôznych kanáloch. ✧ Vyberte batérie, chvíľu počkajte, a potom ich znova vložte.
Žiadne informácie o predpovedi počasia na displeji	<ul style="list-style-type: none"> ✧ Skúste obnoviť prepojenie meteostanice a aplikácie TUYA. ✧ Skúste obnoviť prepojenie meteostanice a aplikácie TUYA.

Technické parametre**Rozsah teplôt**

Vnútri: $-10^{\circ}\text{C}/14^{\circ}\text{F} \sim +50^{\circ}\text{C}/122^{\circ}\text{F}$ (na displeji sa zobrazuje HH.H / LL.L, ak detegovaná hodnota presahuje tento rozsah)

Vonku: $-40^{\circ}\text{C}/-40^{\circ}\text{F} \sim 60^{\circ}\text{C}/140^{\circ}\text{F}$ (na displeji sa zobrazuje HH.H / LL.L, ak detegovaná hodnota presahuje tento rozsah)

Rozsah vlhkosti

Vnútri: 1 % – 99 % (na displeji sa zobrazuje HH.H / LL.L, ak detegovaná hodnota presahuje tohto rozsahu)

Vonku: 1 % – 99 % (na displeji sa zobrazuje HH.H / LL.L, ak detegovaná hodnota presahuje tohto rozsahu)

Citlivosť merania teploty: $0,2^{\circ}\text{F} / 0,1^{\circ}\text{C}$

Presnosť merania teploty vnútri: $\pm 1^{\circ}\text{C}$

Presnosť merania teploty vonku: $\pm 1^{\circ}\text{C}$

Citlivosť merania vlhkosti RH%: 1 %

Presnosť merania vlhkosti vnútri, a presnosť merania vlhkosti vonku: 30 % ~ 70 % ± 5 %

Poza týmito rozsahmi: + 7 %

Formát času: 24 hodiny

Čas: 0:00

Budík 1, 2 a 3: 6:00 ráno

Trvanie budíka: 5 minút

Trvanie zdriemnutia: 5 minút

Kalendár: Dátum-mesiac / Mesiac-dátum

Formát času: 12/ 24 hod.

Teplota: $^{\circ}\text{C}/^{\circ}\text{F}$

Tlak vzduchu: hPa / inHg

PM 2,5: 0 – 999 $\mu\text{g}/\text{m}^3$

Frekvencia vysielania: 433 Mhz

Dosah: 50 m (otvorené priestranstvo)

(Poznámky: vyššie uvedená špecifikácia výrobku sa môže zmeniť bez predchádzajúceho upozornenia).

Fontos információk

- Tartsa meg a használati útmutatók későbbi kérdések esetében
- Kerülje a készülék vízzel vagy nedvességgel történő érintkezését
- Ne telepítse a készüléket az alábbi helyeken:
- Kerülje a berendezés közvetlen napfényvel vagy szokatlanul sok porral történő érintkezését.
- Ne helyezzen semmilyen más melegítő készülékek a berendezés mellett.
- A készülék helye ne legyen folyamatosan rezgő helyeken.
- A készülék helye ne legyen magas páratartalmú helyiségben.
- Ne helyezzen nyílt láng vagy gyertyák mellett.
- Berendezések csak kézikönyv szerint használható.
- A berendezés bekapcsolása előtt, győződjön meg róla, hogy az áramellátás megfelelően csatlakozik.

A hátoldalon és a készülék oldalán található légnyílások maradjanak szabadon. Soha ne próbálja meg a hibás készüléket megjavítani, minden esetben forduljon ügyfélszolgálatához. Ne nyissa fel a készüléket - ezt csak szakember teheti meg.

BIZTONSÁGI UTASÍTÁSOK

1. Olvassa el az utasításokat - figyelmesen olvassa el a biztonsági utasításokat.
 2. Tartsa meg az útmutatót - későbbiekben felmerülő kérdések esetére tartsa meg a biztonsági utasításokat.
 3. Vegye figyelembe a figyelmeztetéseket - Vegye figyelembe a használati figyelmeztetéseket és utasításokat.
 4. Vegye figyelembe az utasításokat - Vegye figyelembe a használati figyelmeztetéseket és utasításokat.
 5. Üzembevétel – Utasítások szerint ügyeljen.
 6. Áramforrás - A készüléket csatlakoztassa csak a normál hálózati feszültséghez. Ha a felhasználó nem biztos abban, milyen típusú tápegysége van a házban, akkor forduljon a forgalmazóhoz vagy a helyi áramszolgáltatóhoz.
 7. Víz és nedvesség - Tűzveszély és egy esetleges áramütés elkerülése végett, a készüléket ne tegye ki esőnek vagy nedvességnek. A berendezést ne használja fürdőkádak, úszómedencék vagy fröcskölő vízforrás közelében.
 8. Tárgyak és folyadékok a készülék - Idegen tárgyak nem tegyen be a készülékbe mert feszültség alatt lévő pontokat és alkatrészeket érinthetnek, ami tüzet vagy áramütést okozhat. Ne helyezzen folyadékkal telt tárolóedényeket a készülékre.
 9. Szerviz - Soha ne próbálja meg a hibás készüléket megjavítani, minden esetben forduljon ügyfélszolgálatához. Ne nyissa fel a készüléket - ezt csak szakember teheti meg. A karbantartási munkákat hagyja szaképzett személyzetre. Egyéb esetekben magát és másokat is veszélyeztet.
 10. Pótalkatrészek - Alkatrészek cseréjekor ellenőrizze, hogy a szolgálati munkavállaló használt pótalkatrészeket a gyártó által meghatározott, vagy ugyanilyenek, mint az eredeti rész. Nem engedélyezett részek esetében tűz, áramütés vagy egyéb veszély veszélye van.
 11. A készülék maximális környezeti hőmérséklete 35 ° C.
 12. Irányelvek az elektrosztatikus kislésről – ha a készülék működése zavarban van az elektrosztatikus készülés miatt, ki kell kapcsolni és újrapcsolni vagy más helyre mozdulni.
 13. Batérie
- A. Batérie nesmú byť vystavené nadmernému teplu, ako je slnečné žiarenie, oheň atď
 B. Pri likvidácii batérie, venujte pozornosť environmentálnym aspektom.
 C. Upozornenie týkajúce sa používania batérii: aby sa zabránilo úniku batérie, čo môže mať za následok zranenie alebo poškodenie zariadenia:

1. Pri vkladání batérií dbajte na správnu polaritu (+ a -).
2. Nepoužívajte rôzne batérie naraz - staré a nové batérie, štandardné a alkalické atď
3. Vyberte batérie z prístroja, keď nie je používaný po dlhšiu dobu

ERP2-ről megjegyzések (energiával kapcsolatos eszközök)

Ez a készülék ökojellel megfelel a 2. szakasz bizottsági rendelet (EC) No 1275/2008 irányelvet átültető 2009/125/EK energiafogyasztásról a fogyatékkal élő és működő készenléti üzemmódban elektronikus eszközökről irodában és házban.

FIGYELEM

A készüléket nem használhatják olyan személyek (beleértve a gyerekeket), akik testi, érzékszervi vagy szellemi fogyatékoságtól szenvednek és az elégtelen tudású és tapasztalatú is, ha a felelős személy nem felügyeli és nem kapták elég információ a készülékről. Felnőttek jelenlétére szüksége van ha a gyerekek használják a készüléket. Ez biztosítja a biztonságos használatát.

1. Soha ne hagyja a gépet felügyelet nélkül! Kapcsolja ki készüléket, ha nem használ, bár egy rövid ideig.
2. Ne használja a készüléket egy külső órajel időzítővel, vagy egy külön távvezérlő rendszerrel.
3. Kockázatának elkerülése érdekében a a tápkábel megsérülése esetében, a cserét gyártónak kell végezni, meghatalmazott szolgáltató, vagy más személy aki rendelkezik megfelelő képesítéssel.
4. Mielőtt használatba venné a készüléket, ellenőrizze, hogy a hálózati feszültség megegyezik a feszültséggel előforduló helyi hálózatban.
5. Tűzveszély és egy esetleges áramütés elkerülése végett, a készüléket ne tegye ki esőnek vagy nedvességnek.
6. Ne tegye ki erős mágneses mezőre.
7. Ne helyezze a készüléket közvetlenül az erősítőn vagy vevőn.
8. Ne helyezze a készüléket párás helyen, mert a nedvességnek hátrányos hatása van az elektromos alkatrészekre.
9. A készülék hozása a hideg helyről meleg vagy nedves helyre páralecsapódás a lencsén a lejátszó belsejében történhet. Ebben az esetben a készülék nem helyesen működhet. Hagyja a gépet bekapcsolva körülbelül egy óráig, hogy lehetővé tegye a nedvesség párolgást.
10. Ne tisztítsa a készüléket kémiai oldószerekkel, a készülék lakk megsemmisítése miatt. Az eszköz tiszta, száraz vagy enyhén nedves ruhával tisztítható.

FIGYELEM



Megfelelőség

A Blaupunkt Competence Center 2N-Everpol Sp. z o.o. kijelenti, hogy ez a készülék megfelel a 2014/53/EU irányelv alapvető követelményeink és más vonatkozó rendelkezéseinek. A megfelelőségi nyilatkozat a termék honlapjáról szerezhető be: www.blaupunkt.com.

Felelős fél: 2N-Everpol Sp. z o.o., Puławska 403A, 02-801 Varsó, Lengyelország, telefon: +48 22 688 08 00, e-mail: info@everpol.pl



A termék kiváló minőségű anyagokból és alkatrészekből áll, újrahasznosíthatók és újra felhasználhatók.



Ha a készüléken áthúzott kerekes kuka szimbólum látható, az azt jelenti, hogy a termékre a 2012/19/EU európai irányelv rendelkezései vonatkoznak. Ennek alapján kérjük, kövesse a helyi előírásokat, ismerkedjen meg a helyi elektromos és elektronikus hulladékgyűjtő rendszer követelményeivel, és e termék esetében tartsa be azokat.

EZT A TERMÉKET NE SZENVEDJE A HÁZTARTÁSI HULLADÉKOKHOZ!

EZ A TERMÉK VESZÉLYES ANYAGOT, KEVERÉKET ÉS ÖSSZETEVŐKET TARTALMAZ, AMELY ENGEDÉLYMENTESSÉGÉN A TERMÉSZETES KÖRNYEZETRE ÉS AZ EMBERI EGÉSZSÉGRE VONATKOZÓ POTENCIÁLIS HATÁSOK FORRÁSA LEHET!

A használt termék megfelelő ártalmatlanítása megakadályozza a környezetre és az emberi egészségre gyakorolt negatív hatásokat.



A készülék fel van szerelve akkumulátorral ami megfelel a 2006/66/EC európai irányelv követelményeinek. Ne dobja az elemet a normál háztartási szeméttel. Kérjük, olvassa el a követelmények a helyi rendszerről a hulladék elektromossal és elektronikus berendezésekkel kapcsolatos. Helyi követelmények szerint csinálni kell. Ne dobja a terméket a normál háztartási szeméttel.

Információk a környezetvédelemről

A csomag csak a szükséges elemeket tartalmaz. Minden erőfeszítést tettek, hogy a csomagolóanyag három összetevője könnyen elkülönített legyen: karton (doboz), polisztirol (belső biztonság) és polietilén (zacskó, védő lap). A készülék olyan anyagból készült, melyek újrahasznosíthatók és szétszerelhetőek. Kérjük, olvassa el a követelmények a helyi rendszerről a hulladék elektromossal és elektronikus berendezésekkel kapcsolatos. Felvételhez és lejátszáshoz engedélyre van szükség. Lásd a szerzői jogi törvényt, valamint az előadók / művészek jogairól.

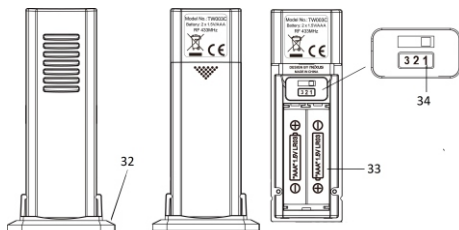
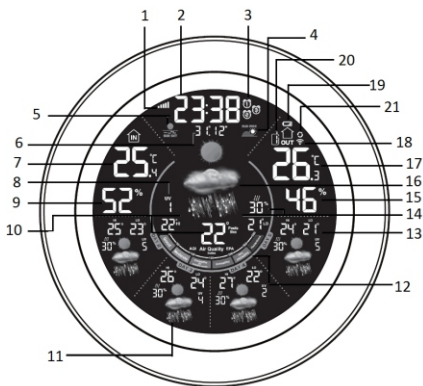
Köszönjük, hogy megvásárolta időjárásjelző állomásunkat. Ez a modell a következő funkciókkal rendelkezik.

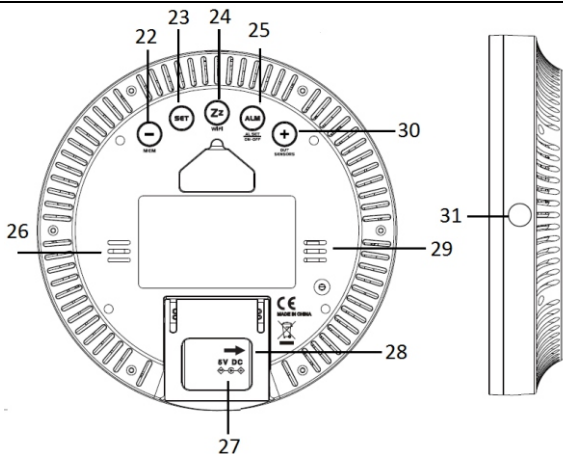
Funkciók

- A TUYA Alkalmazás támogatása
- 5 napos időjárás-előrejelzés, UV-index, legalacsonyabb/legmagasabb hőmérséklet
- Beltéri/kültéri hőmérséklet
- Beltéri/kültéri páratartalom
- Beltéri/kültéri páratartalom
- Riasztás szundi funkcióval
- Legfeljebb 3 külső, vezeték nélküli érzékelőt támogat, amelyek különböző csatornákon sugároznak (1 érzékelő mellékelve)
- A helyiségben uralkodó hőkomfort kijelzése
- Barométer

Kérjük, a gép elindítása előtt figyelmesen olvassa el ezt a használati útmutatót. A használati útmutatót későbbi igénybevétel céljából őrizze meg.

Kijelző és vezérlő elemek






- 1- Wi-Fi jel ikon 2- Óra 3- Riasztás 1/2/3 4- Napfelkelte ikon 5- Naplemente ikon
 6- Naptár 7- Beltéri hőmérséklet 8- UV-index 9- Beltéri páratartalom
 10- Érzékelhető hőmérséklet és PM2.5 index (felváltva jelenik meg a kijelzőn)
 11- Időjárás-előrejelzés 12- Levegőminőségi index
 13- Legalacsonyabb és legmagasabb hőmérsékleti érték 14- Eső 15- Külső páratartalom
 16- Időjárás-előrejelzés 17- Kültéri hőmérséklet
 18- Külső vezeték nélküli érzékelő kijelző ikonja
 19- A vezeték nélküli érzékelő alacsony elem töltöttségi szintjének jelzése. (Ha ez az ikon jelenik meg, cseréld ki a külső érzékelő elemét újra). 20- A külső vezeték nélküli érzékelő száma
 21- Automatikus görgetés funkció ikon aktiválva 22- MEM és "-" memória gomb
 23- SET beállításkor gomb; 24- Szundi és Wi-Fi jel gomb
 25- ALM gomb riasztás beállításához, aktiválásához és deaktiválásához
 26- Szellőzőnyílások 27- DC IN tápfeszültség csatlakozó; 28- Összecsukható állvány
 29- Szellőzőnyílások 30- "+" gomb és a külső érzékelők csatornáinak módosítása
 31- Automatikus háttérvilágítás érzékelő ablak 32- Akasztó
 33- Vezeték nélküli érzékelő elemtartója 34- Külső érzékelő csatorna szám kapcsoló

Aramellátás

Csatlakoztasd a mellékelt AC/DC adaptert a háztartási váltóáramú aljzatba AC, csatlakoztasd az adapter egyenáramú DC csatlakozóját a hátlap oldalán található egyenáramú DC tápcsatlakozóba, és vedd át a tápkábel az összehajtható állvány középső nyílásán. A kijelző világítani fog, és a készülék ezután használatra kész.


Nyisd ki a külső vezeték nélküli érzékelő elemtartó rekeszének fedelét, helyezz be 2 darab AAA elemet (nem tartozék) a rekeszbe feltüntetett polaritásnak megfelelően. A termék legjobb teljesítményének elérése érdekében javasoljuk, hogy kiváló minőségű alkáli elemeket használj. Nagy teherbírású elemek vagy újratölthető elemek használata nem ajánlott.

Külső, vezeték nélküli érzékelő jelének fogadása

Ha a tápegység megfelelően van csatlakoztatva, az időjárásjelző állomás automatikusan észleli és fogadja a külső hőmérséklet és páratartalom mérésének jelét egy külső, vezeték nélküli érzékelőtől. A jel megkeresése legfeljebb 3 percet vesz igénybe. A keresés során a vezeték nélküli érzékelő jelének vételi visszajelzője  (a külső érzékelő csatorna számának ikonja mellett) villog és stabilizálódik, amikor a jel sikeresen megérkezik. Ha az állomás nem kap jelet egy külső érzékelőtől, 3 perc elteltével eltűnik a vétel jelzése, és a hőmérséklet, valamint a külső páratartalom adatai helyett a következő szimbólum jelenik meg a kijelzőn: „- -”. Ha újra kell csatlakoztatni az érzékelőt, nyomd meg és tartsd lenyomva a főegység hátoldalán lévő külső érzékelőcsatorna-választó gombot (30) 3 másodpercig. A készülék újra szkennel, és veszi egy vagy több rendelkezésre álló, külső érzékelő jelét, egyiket a másik után.

A készülék elhelyezése és egyéb megjegyzések

1. Fontos: Az időjárásjelző állomás legfeljebb 3 külső érzékelőt támogat (csak egy érzékelő van mellékelve). Ha van 2 vagy 3 vezeték nélküli érzékelője, akkor mindegyiknek külön átviteli csatornán kell működnie. A csatorna ellenőrzéséhez és módosításához (3 csatorna áll rendelkezésre) nyissa ki a vezeték nélküli érzékelő akkumulátortartóját, és a CH gombbal állítsa be az érzékelőt a megfelelő csatornára. A vezeték nélküli, külső érzékelők adatainak ellenőrzéséhez és átkapcsolásához nyomja meg röviden az időjárásjelző állomás oldalsó paneljén található csatornaválasztó gombot (CH).

A hátlapon található külső érzékelőcsatorna gomb (30) rövid megnyomásával ellenőrizhetők és átkapcsolhatók a különböző külső vezeték nélküli érzékelők adatai. Nyomd meg ezt a gombot többször, amíg ez az ikon  meg nem jelenik, hogy az összes csatlakoztatott érzékelő hőmérséklet- és páratartalom-adatai váltakozva jelenjenek meg. A funkció törléséhez nyomd meg ismét a gombot.

2. Kérjük, hogy az időjárásjelző állomást és a külső érzékelőt az interferenciaforrásoktól, például a számítógép-monitoroktól vagy a televízióktól 1,5~2 méterre helyezze el és használja. Az időjárásjelző állomást a fémkeretes ablakoktól távol kell elhelyezni.

3. Ne használjon más elektronikus terméket, például fejhallgatót vagy hangszórót, amely ugyanazon a jelfrekvencián (433 MHz) működik, mivel interferenciát okozhat. Kérjük, vegye figyelembe, hogy ha a szomszédai azonos frekvencián (433 MHz) működő elektronikus eszközöket használnak, az interferenciát okozhat a megfelelő működésben.

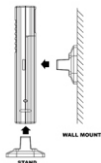
4. A beltéri hőmérséklet pontos méréséhez helyezze az időjárásjelző állomást száraz, szennyeződésektől és portól mentes helyre. Válasszon egy helyet közvetlen napfénytől és más hőforrásoktól, valamint szellőzőnyílásoktól távol.

5. A vezeték nélküli érzékelő kültéren is telepíthető. A mérés lehető legjobb pontossága érdekében az érzékelőt állítsa függőleges helyzetbe, legalább 1,5 ~ 2 méterre a talajtól, esőtől védett és jó légáramlással rendelkező helyre. Ne tegye ki az érzékelőt hosszú ideig közvetlen napsugárzásnak.

6. A vezeték nélküli érzékelő maximális üzemi távolsága 50 méter az időjárás-jelző állomástól, amennyiben nincsenek közbelső akadályok.

7. A vezeték nélküli érzékelő jele 114 másodpercenként (1. csatorna), 134 másodpercenként (2. csatorna), 158 másodpercenként (3. csatorna) érkezik az állomásra.

8. Az érzékelőt függőlegesen is elhelyezheted, vagy a falra is felszerelheted, ahogy az alábbiakban látható.



A TUYA alkalmazás telepítése és konfigurálása

Fontos: A TUYA alkalmazás letöltésének és a készülék Wi-Fi hálózathoz való csatlakoztatásának megkezdése előtt győződjön meg arról, hogy az okostelefon 2.4GHz-es vagy 2.4/5GHz-es hibrid hálózathoz van csatlakoztatva, és kapcsolja be a Bluetooth-t. A készülék nem támogatja az 5 GHz-es hálózatot.


TUYA smart alkalmazás: Használja okostelefonját az alábbi QR-kód beolvasásához, és töltsse le a "Tuya smart" alkalmazást (az IOS vagy Android rendszertől függően) a készülékére. A letöltéshez az Apple vagy a Google Play áruházban is keresheti a Tuya smart alkalmazást. Ezután indítsa el az alkalmazást az eszközön, ellenőrizze és jelölje meg a megfelelő engedélyeket, regisztráljon, vagy jelentkezzen be a fiókjába az okostelefon képernyőjén leírtak szerint.



For Android



For iOS

Wi-Fi párosítás és konfiguráció: Kapcsolja be az időjárásjelző állomást, nyomja meg, és tartsa lenyomva a felső Wi-Fi gombot (24) a hátlapon 3 másodpercig, és lépjen be a párosítási módba. A hálózat jele  villog a kijelzőn. Nyissa meg a Tuya smart alkalmazást az eszközön, érintse meg az „Eszköz hozzáadása” (A fénykép) gombot, és keresse meg az eszközt az alkalmazásban (kérheti a helyadatokhoz való hozzáférést, kérjük, járuljon hozzá), ellenőrizze az eszközészlelési listát, és érintse meg a „Hozzáadás” gombot (lásd a B fényképet), válassza ki az otthoni Wi-Fi hálózat nevét, és adja meg a kért jelszót. Az időjárásjelző állomás párosítani fog az alkalmazással, majd nyomja meg a „Kész” gombot (lásd a D és E ábrát). Az alkalmazás elindítja a konfigurációt, és elküldi a helyi 5 napos időjárás-előrejelzést/UV-indexet/hőmérsékleti adatokat stb. az időjárásjelző állomás kijelzőjére.

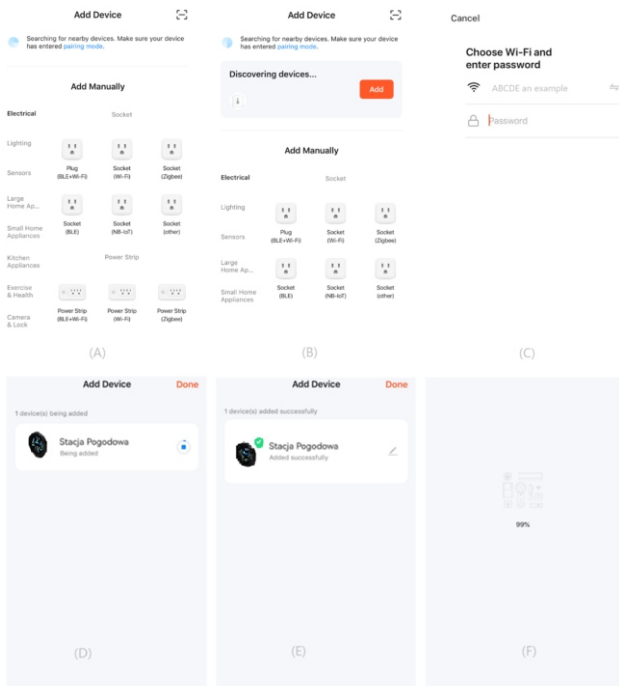
Ha szükséges, nyomd meg és tartsd lenyomva a Wi-Fi gombot az alkalmazás és a készülék közötti Wi-Fi kapcsolat reszetteléséhez, majd kövesd a fenti utasításokat a kapcsolat helyreállításához.

Az időjárásjelző állomás üzemeltetése a TUYA alkalmazással

Riasztás/szundi: Az alkalmazásban 3 riasztást állíthat be. A riasztás hangjelzés formájában lép működésbe egy meghatározott időpontban. Bármelyik gomb rövid megnyomásával törölheti a riasztási hangot, de a riasztás a következő napon ugyanabban az időpontban ismét megszólal.

A szundi gomb (24) rövid megnyomásával a készülék szundi üzemmódba kapcsol. A riasztás akkor szólal meg, amikor a beállított szundi idő letelt. A riasztás hangja 5 percig fog szólni, ezt követően további művelet hiányában automatikusan kikapcsol.

Egyéb: Az alkalmazáson belül (a képernyő alján található megfelelő gomb megnyomásával) a beltéri és a kültéri hőmérsékleti határérték túllépésére vonatkozó riasztást is beállíthat, beltéri és kültéri hőmérséklet/páratartalom grafikont kaphat, és kiválaszthatja a °C (Celsius fok) vagy a Fahrenheit (Fahrenheit fok) hőmérséklet mértékegységet. Ha beállít és aktivál egy hőmérséklettúllépési riasztást, akkor ha a mért hőmérséklet meghaladja a beállított határértéket, a készülék figyelmeztető jelzést ad. A jelzés törléséhez nyomja meg röviden a felső szundi gombot, a hőmérsékletadatok azonban addig villognak a kijelzőn, amíg a mért hőmérséklet a beállított érték alá nem csökken.



Figyelem:

- Az időjárásjelző állomást és a telepített alkalmazást tartalmazó okostelefont ugyanahhoz a Wi-Fi hálózathoz kell csatlakoztatni.
- Ha az okostelefont a Wi-Fi hatósugarán kívülre viszi, az időjárásjelző állomás közvetlenül a Wi-Fi hálózatra csatlakozhat és azon dolgozhat.
- Ha megváltoztatja a Wi-Fi hálózatot vagy a Wi-Fi jelszót, párosítsa újra az időjárásjelző állomást az okostelefonnal. Először távolítsa el a készüléket a Tuya alkalmazásból, majd párosítsa újra a jelen útmutatóban leírt módon.
- Ha az időjárás-előrejelzés adatai elvesztek vagy hiányosak, nyissa meg a Tuya alkalmazást, és frissítse az időjárás állomást az alkalmazásban.
- Az eszköz átnevezése az alkalmazásban a ceruza ikonra (általában az eszköz neve mellett) történő koppintással lehetséges.
- Az időjárás-állomás támogatja a Smart Life alkalmazást is. A letöltéshez menjen az Apple Store-ba vagy a Google Play-be, és keresd meg a Smart Life-Smart Living alkalmazást. Az alkalmazáshoz való csatlakozás hasonló a TUYA alkalmazáshoz.



FIGYELEM

Ha az időjárás-állomás már hosszabb ideje üzemel, a tápellátás leválasztása és gyors visszakapcsolása magasabb hőmérséklet- és alacsonyabb páratartalom-méréseket eredményez (a készülékben megmaradt hó miatt). Egyszerűen hagyj bekapcsolva az időjárás-állomást további 15-30 percig, és a hőmérséklet- és páratartalom-mérések ismét stabilak és pontosak lesznek.

A légkondicionáló vagy az elektromos ventilátor bekapcsolása az időjárás-állomás felé a szobahőmérséklet kijelzésének enyhe csökkenését eredményezheti.

Kézi rendszerbeállítások: nyomd meg és tartsd lenyomva a beállító gombot (23), amíg az óra számjegye villogni nem kezd a kijelzőn, nyomd meg a + vagy - gombot az óra beállításához, nyomd meg röviden a beállító gombot a perc beállításához, ugyanazt a műveletet használd, mint az óra beállításánál a perc / óraformátum – 12 és 24 óra /év / hónap / dátum / hónap és a dátumformátum / hőmérséklet mértékegysége / érzhető hőmérséklet vagy PM2.5 / légnyomás-egység / fényérzékelő (be/ki) / szundi idő (5-60 perc) beállításához. A beállítás felgyorsításához tartsd lenyomva a + vagy - gombot. Nyomd meg a set gombot a beállítás befejezéséhez és a beállításokból való kilépéshez. Ha a készüléket 10 másodpercig művelet nélkül hagyod, kilépsz a beállítási eljárásból.



Kézi ébresztés beállítása: nyomd meg és tartsd lenyomva a riasztás gombot (25), amíg az 1. riasztás ikon és az óra számjegye villogni nem kezd a kijelzőn, majd nyomd meg a + vagy - gombot az ébresztési idő beállításához. Nyomd meg újra a riasztás gombot az ébresztési percek beállításához. A riasztás óra beállításával megegyező művelettel végezd el a többi riasztási perc / riasztási mód beállítását (dátum (1-7) és hétköznap (1-5) és hétvége (6-7) szerint; majd folytatd a 2. riasztás / 3. riasztás beállításával, ami ugyanaz a művelet, mint az 1. riasztás beállítása. A beállítás felgyorsításához tartsd lenyomva a + vagy - gombot. Nyomd meg a riasztás gombot a beállítás befejezéséhez és a beállításokból való kilépéshez. Nyomd meg röviden a riasztás gombot az 1. riasztás aktiválásához; nyomd meg többször a riasztás gombot a többi riasztás be- vagy kikapcsolásához, és a megfelelő riasztás ikon megjelenik a kijelzőn. Győződj meg róla, hogy a beállítások után a riasztási ikon megjelenik a kijelzőn, különben az ébresztő funkció nem fog működni.

Ébredés és szundi: Amikor a beállított ébresztési idő elérkezik, az időjárás-állomás hangjelzést ad. A megfelelő riasztás ikon villogni kezd a kijelzőn. Nyomd meg a riasztás gombot az ébresztőhang törléséhez, és az ébresztő a következő napon ugyanabban az időpontban fog megszólalni. Nyomd meg a szundi gombot az ébresztés hangjának ideiglenes megszüntetéséhez, az ébresztő a beállított szundi időnek megfelelően újra megszólal. A riasztás időtartama 5 perc, és automatikusan kikapcsol, ha nem történik további intézkedés.

Automatikus fényérzékelő: Az időjárás-állomás automatikus fényérzékelővel van felszerelve. A kijelző fényereje automatikusan beállítódik a helyiség fényviszonyainak megfelelően. A kijelző háttérvilágításának beállítása: Ha a fényérzékelő ki van kapcsolva. Nyomd meg a szundi gombot a kijelző fényerejének módja HI (magas), MED. (közepes) vagy LO (alacsony) kiválasztásához.

Napfelkelte és napnyugta ideje: az idő megjelenítési módban nyomd meg a set gombot (23) a napfelkelte idejének ellenőrzéséhez, majd nyomd meg újra a napnyugta idejének ellenőrzéséhez. Nyomd meg 3-szor a set gombot a napkelte és napnyugta időpontjának felváltva történő megjelenítéséhez. Nyomd meg újra a set gombot a normál üzemmódba való visszatéréshez.

Időjárás-előrejelzés mutató

				
Napos	Részlegesen felhős	Felhős	Esős	Viharos
				
Szeles	Köd	Ködös	Fagyos	

Levegőminőségi index (AQI / EPA)

A levegő minősége	Levegőminőségi mutató	Kinek kell aggódnia?
Jó	0-50	Ez egy nagyszerű nap a szabadtéri aktivitáshoz.
Mérsékelt	51-100	Néhány ember szokatlanul érzékeny lehet a levegőszennyezésre. Különösen érzékeny csoportok: Meg kell fontolni a hosszan tartó vagy nehéz testmozgás korlátozását. Mindenki más: Ez egy jó nap arra, hogy időt tölts a szabadban.
Egészségtelen az érzékeny emberek számára	101-150	A veszélyeztetett csoportok közé tartoznak a szív- vagy tüdőbetegek, az idősek, a gyermekek és a serdülők. Érzékeny csoportok: a hosszan tartó vagy nehéz testmozgást korlátozni kell.
Egészségtelen	151-200	Érzékeny csoportok: Kerülni kell a hosszan tartó vagy nehéz megerőltetést. Mindenki más: Csökkenteni kell a hosszan tartó vagy nehéz megerőltetést. Több szünetet kell tartani a szabadtéri aktivitások során.
Nagyon egészségtelen	201-300	Érzékeny csoportok: minden szabadtéri fizikai aktivitást kerülni kell. Minden más: kerülj a hosszan tartó vagy a nagy szervezeti megterhelést.
Veszélyes	301-500	Érzékeny csoportok: maradj otthon, és tartsd alacsonyan a fizikai aktivitásod szintjét. Mindenki: Kerülni kell minden szabadtéri fizikai aktivitást.

A maximális és a minimális hőmérséklet és a páratartalom leolvasása belül és kívül: Az idő kijelző üzemmódban nyomd meg egyszer a "–" gombot (22) a maximális beltéri és kültéri hőmérséklet- és páratartalom rekordok megjelenítéséhez, a kijelzőn megjelenő "MAX" ikonokkal. Nyomd meg ismét a "–" gombot a minimális beltéri és kültéri hőmérsékleti és páratartalom rekordok megjelenítéséhez, a kijelzőn megjelenő 'MIN' ikonokkal. Amikor a maximális vagy a minimális értékek megjelennek, nyomd meg és tartsd lenyomva a "–" gombot mindkét rekord (minimális és maximális) visszaállításához, és a készülék újra elkezd a maximális és minimális értékek rögzítését.

Problémamegoldás

Nincsenek információk a kijelzőn	<ul style="list-style-type: none"> ✧ Ellenőrizze, hogy az AC/DC táp megfelelően van-e csatlakoztatva a készülékhez.
A külső érzékelő hőmérséklete/páratartalma nem jelenik meg.	<ul style="list-style-type: none"> ✧ Ellenőrizze, hogy az állomás és az érzékelő közötti távolság nem haladja meg a 30 métert (ajánlott) ✧ Győződjön meg arról, hogy az állomás és az érzékelő legalább 2 méterre van a monitoroktól és a televíziókészülékektől. ✧ Ne helyezzen eszközöket fém ablakkeretekre vagy azok közelébe. ✧ Kerülje az állomások használatát olyan elektronikus eszközök közelében, mint például az azonos frekvencián (433 MHz) működő hangszórók. ✧ Gondosan ellenőrizze, hogy a három vezeték nélküli érzékelő különböző csatornákon van-e elhelyezve. ✧ Vegye ki az akkumulátorokat, várjon egy pillanatot, majd helyezze vissza őket.
Nincs időjárás-előrejelzési információ a kijelzőn	<ul style="list-style-type: none"> ✧ Frissítse a kapcsolatot az időjárásjelző állomás és a Tuya alkalmazás között. ✧ Próbálja meg újra csatlakoztatni az időjárásjelző állomást a Tuya alkalmazáshoz.

Műszaki adatok**Hőmérséklettartomány**

Beltéri: -10°C/14°C-50°C/122°C (a kijelzőn a HH.H / LL.L jelenik meg, ha a leolvasás ezen a tartományon kívül esik)

Kívüli: -40°C/-40°C-60°C/140°C (a kijelzőn a HH.H / LL.L jelenik meg, ha a leolvasás ezen a tartományon kívül esik)

Páratartalom tartomány

Beltéri: 1%-99% (a kijelzőn HH.H / LL.L jelenik meg, ha a leolvasás ezen a tartományon kívül esik)

Kívüli: 1%-99% (a kijelzőn HH.H / LL.L jelenik meg, ha a leolvasás ezen a tartományon kívül esik)

Hőmérsékleti felbontás: 0.2°F / 0.1°C

A belső hőmérséklet leolvasásának pontossága: +/- 1°C

A külső hőmérséklet leolvasásának pontossága: +/- 1°C

RH% felbontás: 1% - kal

A belső páratartalom leolvasásának pontossága és a külső páratartalom leolvasásának pontossága: 30% ~ 70% ±5%

Ezekon a tartományokon túl: ±7%

Idő formátum: 24 óra

Idő: 0:00

Riasztás 1, 2 és 3: 6:00 reggel

Riasztás időtartama: 5 perc

Szundi időtartama: 5 perc

Naptár: Dátum-Hónap / Hónap-Dátum

Idő formátum: 12 / 24 órák

Hőmérséklet °C / °F

Légnyomás: hPa / inHg

PM 2,5: 0 - 999 ug/m³

Átviteli frekvencia: 433 Mhz

Átviteli tartomány: 50 m (nyílt tér)

(Figyelem: a készülék műszaki adatai előzetes értesítés nélkül módosulhatnak).

Važne informacije

- Sačuvajte operativne upute i sigurnosne informacije kako bi se ih moglo koristiti u budućnosti.
- Nemojte dopustiti da na uređaj kapa ili proliva se bilo koja tekućina.
- Ne smije se također koristiti na vlažnim mjestima, kao što su npr. kupaonica.
- Ne postavljajte uređaj na sljedećim mjestima:
- Izložen suncu ili blizu grijalica.
- Na vrh druge stereo opreme koja generira toplinu.
- Tako da blokira ventilaciju ili u prašnjavom mjestu.
- U okružju izloženom neprekidnim vibracijama.
- U područjima visoke vlage.
- Ne postavljajte uređaj blizu otvorenog plamena ili otvorene vatre.
- Uređaj se može koristiti samo na način opisan u ovim uputama.
- Prije prvog uključivanja napajanja, pobrinite se da je napajanje ispravno pripojeno.
-

Iz sigurnosnih razloga, nemojte skidati poklopce ili pristupiti unutrašnjosti uređaja. Uređaj smije popravljati samo kvalificirano servisno osoblje.

Nemojte rastavljati uređaj ili otvarati njegovo kućište, jer unutra nema dijelova koje bi se moglo popraviti od strane korisnika. ržavanje i popravak opreme izvrši isključivo kvalificirano servisno osoblje.

Sigurnosne upute

1. Pročitajte upute - prije uporabe stroja, pročitajte sve upute i informacije o sigurnosti.
2. Sačuvajte ove upute - zadržite upute za upotrebu i održavanje kako bi se ih moglo koristiti u budućnosti.
3. Poštujte upozorenja - slijedite sva upozorenja objavljena na uređaju te koje se nalaze u uputama.
4. Slijedite upute - slijedite upute i preporuke za korisnike.
5. Montaža - montirajte uređaj prema uputama proizvođača.
6. Izvori energije - uređaj treba napajati samo iz izvora koji je naveden na naljepnicama na kabelu napajanja. Ako niste igurni koju vrstu napajanja ima vaša kuća, obratite se prodavatelju ili lokalnoj energetskej tvrtki.
7. Voda i vlaga - kako bi se smanjio rizik od požara ili električnog udara, nemojte izlagati uređaj kiši, vlazi i vodi, na primjer u sauni ili u kupaonici. Ne koristite ovaj proizvod u blizini vode, primjerice blizu kade, umivaonika, sudopera ili kade za pranje rublja, u vlažnom podrumu ili blizu bazena (ili u drugim sličnim mjestima).
8. Ulaz predmeta i tekućine - nikada ne otipajte predmete bilo koje vrste u ovaj proizvod kroz otvore, jer mogu dodirivati opasne tačke napona ili delove kratkog spoja koji mogu dovesti do požara ili električnog udara. Nikada ne prosipajte tečnost bilo koje vrste na proizvodu. Nemojte postavljati bilo koji predmet koji sadrži tečnost na vrhu proizvoda.
9. Servisiranje - ne pokušavajte pogledati unutrašnjost uređaja sami. Otvaranje poklopca može uzrokovati opasne napone i izložiti vas drugim opasnostima. Održavanje i popravak opreme vrši isključivo kvalificirano servisno osoblje.
10. Rezervni dijelovi – tijekom zamjene dijelova, treba provjeriti dla li servisera je koristio rezervne dijelove koje preporučuje proizvođač ili dijelove koje su identične originalnim dijelom. Izrada zamjene neodobrenih rezervnih dijelova ugrožava od požara, strujnog udara ili drugih opasnosti.
11. Maksimalna temperatura okoline uređaja je 35°C
12. Savjeti za elektrostatička pražnjenja - ako se rad prekine zbog elektrostatičkog pražnjenja, isključite uređaj ponovno ili premjestiti ga na drugo mjesto.

13. Baterija

- Baterije se ne smije izlagati pretjeranoj toplini, npr. suncu, vatri i sličnim uvjetima.
- Kod zbrinjavanja baterije, obratite pažnju na aspekte okoliša.
- Ponašajte se oprezno tijekom korištenjem baterija: kako bi se spriječio curenje baterije, koje može uzrokovati ozljede ili oštećenja na uređaju:
 - Pri umetanju baterija obratite pažnju na polaritet (+ i -).
 - Nemojte koristiti različite baterije u isto vrijeme - stare i nove, alkalne baterije, standardne it
 - Izvadite baterije iz uređaja kad se ga neće koristiti duže vrijeme.

UPOZORENJE

Uređaj ne smije biti korišten od strane osoba (uključujući djecu) sa smanjenim fizičkim, osjetilnim ili mentalnim sposobnostima te osoba s nedovoljnim znanjem i iskustvom, ako nisu one pod nadzorom osobe odgovorne za njihovu sigurnost i nisu obučeni o tome kako sigurno koristiti uređaj. Prisutnost odraslih je potrebna ako uređaj koriste djeca; ovo će osigurati sigurnu uporabu uređaja.

- Nikada ne ostavljajte stroj da radi bez nadzora! Isključite uređaj kada nije u uporabi, čak i za kratko vrijeme.
- Uređaj se ne može upravljati putem vanjskog sata s timerom, ili posebnim sustavom daljinskog upravljanja.
- Da bi se izbjegla opasnost u slučaju štete za zamjenu kabela napajanja treba se obratiti proizvođaču, ovlaštenom servisu ili drugim stručnim osobama.
- Prije uporabe uređaja, provjerite je li napon odgovara naponu koji je nastao u mrežnom naponu.
- Kako biste spriječili požar ili strujni udar, uređaj mora biti zaštićen od žarišta, kiše, vlage i prašine.
- Nemojte da uređaj izlažite jakim magnetskim poljima.
- Nemojte da uređaj stavljajte izravno na pojačalu ili prijammiku.
- Ne postavljajte uređaj na vlažnom mjestu, jer vlaga ima štetan učinak na električne komponente.
- Dovođenje uređaja iz hladnog u toplo vlažnom mjestu može uzrokovati kondenzaciju na leći unutar playera. U ovom slučaju, uređaj neće raditi ispravno. Uređaj se mora ostaviti uključen oko jedan sat kako bi se omogućilo isparavanje vlage.
- Izbjegavajte korištenje kemijskih otapala, jer mogu oštetiti boju kućišta. Uređaj se obriše čistom, suhom ili vlažnom krpom.

NAPOMENA



Izjava

Niže navedenim Blaupunkt Competence Center 2N-Everpol Sp. z o.o. izjavljuje da je ovaj proizvod u skladu sa zahtjevima i drugim relevantnim odredbama Direktive 2014/53/EU. Za potpunu Izjavu o sukladnosti posjetite stranicu www.blaupunkt.com na kartici proizvoda. Odgovorni subjekt: 2N-Everpol Sp. Z o.o.

Puławska 403A, 02-801 Varšava, Poljska

Telefon: +48 22 688 08 00, e-mail: info@everpol.pl



Proizvod je izrađen od visokokvalitetnih materijala i dijelova koji se mogu reciklirati i ponovo upotrijebiti.



Ako se na vašem uređaju nalazi simbol prekržižene kante za smeće, to znači da je proizvod pokrivljen odredbama Europske direktive 2012/19/EU. Na temelju toga, slijedite lokalne propise i upoznajte se sa zahtjevima za vaš lokalni sustav prikupljanja električnog i elektroničkog otpada i, u slučaju ovog proizvoda, pridržavajte ih se.

NE ODLAGAJTE OVAJ PROIZVOD SA KUĆNIM OTPADOM!

OVAJ PROIZVOD SADRŽI OPASNE TVARI, SMJESE I KOMPONENTE KOJE, AKO SU NEDOVLAŠTENE, MOGU BITI IZVOR POTENCIJALNIH EFEKATA NA PRIRODNI OKOLIŠ I ZDRAVLJE LJUDI!

Ispravno zbrinjavanje iskorištenog proizvoda spriječit će negativne učinke na okoliš i ljudsko zdravlje.



Uređaj je opremljen sa baterijama obuhvaćenim Europskom direktivom 2006/66/EC. Baterije se ne smije odlagati zajedno s komunalnim otpadom. Molimo pogledajte lokalne propise o zasebnom prikupljanju baterija jer ispravnim odlaganjem spriječit ćete potencijalne negativne posljedice na okoliš i zdravlje ljudi.

Informacije o zaštiti okoliša

Paket uključuje samo nužne komponente. Svaki napor je napravljen da bit tri sastavni komponenti paketa lako odvojili: karton (kutija), polistirenska pjena (zaštita unutra) i polietilen (vrećica, zaštitna folija). Uređaj je izrađen od materijala koje se može reciklirati i ponovo upotrijebiti nakon demontaže od strane specijalizirane tvrtke. Poštujte lokalne propise o raspolaganju iskorištenih ambalažnih materijala, baterija i nepotrebne opreme. Snimanje i reprodukcija materijala može zahtijevati pristanak. Vidi Zakon o autorskim pravima i prava izvođača/umjetnika.

Napomena o ERP2 (oprema koja se odnosi na energiju)

Ovaj ekodizajnirani uređaj zadovoljava zahtjeve 2. faze Uredbe Komisije (EZ) br. 1275/2008 kojom se provodi Direktivu 2009/125/EZ o potrošnji energije od strane isključenih i elektroničkih uređaja ili uređaja u modu čekanja za uredsku i kućnu uporabu.

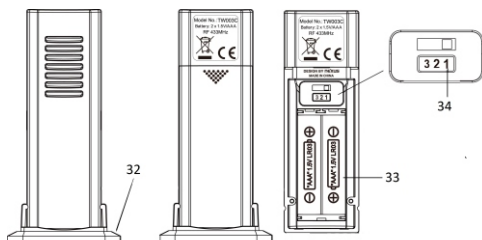
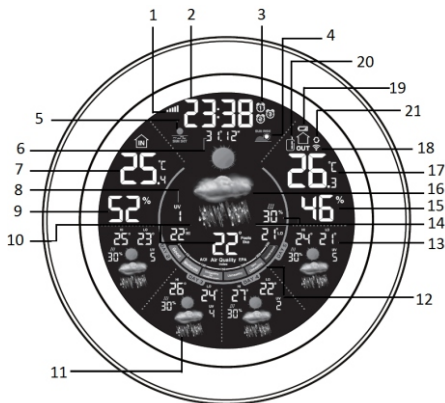
Zahvaljujemo što ste kupili našu meteorološku stanicu. Ovaj model ima sljedeće funkcije.

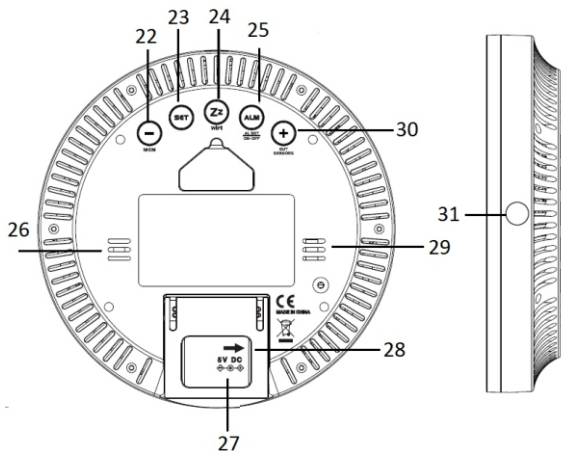
Funkcije

- Podrška za TUYA APP
- 5-dnevna vremenska prognoza, UV indeks, najniža/najviša temperatura
- Unutarnja/vanjska temperatura
- Unutarnja / vanjska vlažnost
- Unutarnja / vanjska vlažnost
- Alarm s funkcijom odgode
- Podrška za do 3 vanjska bežična senzora koji odašilju signale na različitim kanalima (1 senzor uključen)
- Indikator toplinske udobnosti u sobi
- Barometar

Pažljivo pročitajte i razumite ovaj priručnik prije puštanja uređaja u rad. Molimo sačuvajte ovaj priručnik za buduću upotrebu.

Zaslon i kontrole






- 1- Ikona Wi-Fi signala 2- Sat 3- Alarm 1/2/3 4- Ikona izlaska sunca 5- Ikona zalaska sunca
 6- Kalendar 7- Unutarnja temperatura 8- UV indeks 9- Vlažnost u zatvorenom prostoru
 10- Primjetna temperatura i indeks PM2.5 (naizmjenice prikazani na zaslonu)
 11- Vremenska prognoza 12- Indeks kvalitete zraka
 13- Najniža i najviša vrijednost temperature 14- Oborine 15- Vanjska vlaga
 16- Vremenska prognoza 17- Vanjska temperatura
 18- Ikona signala vanjskog bežičnog senzora
 19- Indikator slabe baterije bežičnog senzora. (Ako se pojavi takva ikona, zamijenite bateriju vanjskog senzora novom.) 20- Broj vanjskog bežičnog senzora
 21- Ikona za omogućeni odabir automatskog pomicanja 22- Memorijska tipka MEM i "-"
 23- Tipka za postavke SET 24- Tipka za odgodu i Wi-Fi signal
 25- Tipka alm alarma, aktivacija i deaktivacija 26- Ventilacijski otvori
 27- DC - IN ulazna utičnica 28- Sklopivo postolje 29- Ventilacijski otvori
 30- Tipka "+" i promjene kanala vanjskog senzora
 31- Prozor senzora za automatsko pozadinsko osvjetljenje 32- Vješalica
 33- Pretinac za baterije bežičnog senzora 34- Prekidač broja kanala vanjskog senzora

Spajanje na napon


Priključite isporučeno AC/DC napajanje u kućnu AC utičnicu kako biste dobili napajanje, priključite DC priključak napajanja u DC utičnicu na bočnoj strani stražnjeg panela, provucite kabel za napajanje kroz srednji otvor preklopnog postolja. Zaslom će zasvijetliti i uređaj će biti spreman za rad.

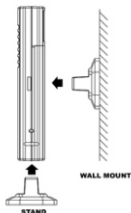
Otvorite poklopac pretinca za baterije vanjskog bežičnog senzora, umetnite 2 AAA baterije (nisu uključene) u pretinac u skladu s ispravnim polaritetom prikazanim u pretincu. Za najbolje performanse proizvođača preporučujemo uporabu visokokvalitetnih alkalnih baterija. Ne preporučuje se uporaba teških baterija ili akumulatora.

Primanje signala s vanjskog bežičnog senzora

Nakon pravilnog spajanja napajanja, meteorološka stanica automatski detektira i prima signal mjerena vanjske temperature i vlage s vanjskog bežičnog senzora. Traženje signala trajat će do 3 minute. Tijekom pretraživanja, indikator primanja signala s bežičnog senzora  (blizu ikone broja kanala vanjskog senzora) će treperiti i stabilizirati se kada se signal uspješno primi. Ako stanica ne primi signal od vanjskog senzora, indikator prijema signala će nestati nakon 3 minute, a na zaslonu će se umjesto podataka o vanjskoj temperaturi i vlažnosti prikazati sljedeći simbol: "--". Ako trebate ponovno spojiti senzor, pritisnite i držite tipku za odabir kanala vanjskog senzora (30) na stražnjoj strani glavne jedinice 3 sekunde. Uređaj će ponovno skenirati i primiti signale s jednog ili više dostupnih senzora jedan po jedan.

Položaj uređaja i druge napomene

- 1. Važno:** Meteorološka stanica se može povezati i raditi s do 3 vanjska senzora (samo jedan senzor uključen). Ako imate 2 ili 3 bežična senzora, svaki od njih mora biti postavljen na drugi prijenosni kanal kako bi svi radili u isto vrijeme. Za provjeru i promjenu kanala (dostupna su 3 kanala), otvorite pretinac za baterije bežičnog senzora i pomoću gumba CH postavite senzor na ispravan kanal. Kratkim pritiskom tipke za odabir kanala (CH) na bočnoj ploči meteorološke stanice možete provjeriti i promijeniti podatke sa svih uparenih bežičnih vanjskih senzora. Kratkim pritiskom na tipku kanala vanjskog senzora (30) na stražnjoj ploči mogu se provjeriti i prebaciti podaci iz različitih vanjskih bežičnih senzora. Pritisnite ovu tipku više puta dok se ne pojavi ova ikona,  " za naizmjenični prikaz podataka o temperaturi i vlazi iz svih spojenih senzora. Ponovno pritisnite tipku kako biste poništili funkciju.
2. Postavite i koristite meteorološku stanicu i vanjski senzor unutar 1,5 ~ 2 metra od izvora smetnji kao što su računalni monitori ili TV prijemnici. Meteorološka stanica također treba biti postavljena dalje od prozora s metalnim okvirima.
3. Nemojte koristiti druge elektroničke proizvode, poput slušalica ili zvučnika, koji rade na istoj frekvenciji signala (433 MHz) jer mogu uzrokovati smetnje. Zapamtite da ako vaši susjedi koriste elektroničke uređaje koji rade na istoj frekvenciji signala (433 MHz), oni također mogu ometati ispravan rad.
4. Za točno mjerenje unutarnje temperature, postavite vremensku stanicu na suho mjesto, bez prljavštine i prašine. Odaberite mjesto podalje od izravne sunčeve svjetlosti i drugih izvora topline te podalje od ventilacijskih otvora.
5. Bežični senzor može se postaviti na otvorenom. Za najbolju moguću točnost mjerenja, senzor postavite u uspravan položaj najmanje 1,5 ~ 2 metra od tla, zaštićen od kiše i s dobrom cirkulacijom zraka. Ne izlažite senzor izravnoj sunčevoj svjetlosti dulje vrijeme.
6. Maksimalna radna udaljenost bežičnog senzora je 50 metara od meteorološke postaje, bez ikakvih prepreka između.
7. Signal s bežičnog senzora šalje se postaji u intervalima od 114 sekundi (kanal 1), 134 sekunde (kanal 2), 158 sekundi (kanal 3).
8. Senzor možete postaviti okomito ili ga pričvrstiti na zid kao što je prikazano u nastavku.



Instalacija TUYA aplikacije i konfiguracija

Važno: Prije nego počnete preuzimati aplikaciju TUYA i povežete svoj uređaj s Wi-Fi mrežom, provjerite je li vaš pametni telefon spojen na 2.4G Wi-Fi mrežu ili 2.4 / 5G hibridnu mrežu i uključite Bluetooth funkciju. Uređaj ne podržava mrežu od 5 GHz.


TUYA pametna aplikacija: Svojim pametnim telefonom skenirajte QR kod ispod i preuzmite aplikaciju "Tuya smart" (ovisno o iOS ili Android sustavu) na svoj uređaj. Također možete potražiti aplikaciju Tuya smart u Apple ili Google Play trgovini kako biste je preuzeli. Zatim pokrenite aplikaciju na svom uređaju, provjerite i odaberite odgovarajuće privole, registrirajte se ili prijavite na svoj račun, prema uputama na ekranu pametni telefon.



For Android



For iOS

Uparivanje i konfiguriranje Wi-Fi mreže: Uključite meteorološku stanicu, pritisnite i držite gornji tipku Wi-Fi (24) na stražnjoj ploči enter to pair mode and the network symbol 3 sekunde i uđite u način uparivanja. Simbol mreže  treperi na zaslonu. Otvorite pametnu aplikaciju Tuya na svom uređaju, dodirnite "Dodaj uređaj" (fotografija A) i potražite uređaj u aplikaciji (može zatražiti pristup lokaciji, dajte dopuštenje), provjerite popis za otkrivanje uređaja i dodirnite "Dodaj" (pogledajte fotografiju B), odaberite naziv svoje kućne Wi-Fi mreže i unesite traženu lozinku. Meteorološka stanica će se upariti s aplikacijom, zatim pritisnite gumb "Gotovo" (pogledajte slike D i E). Aplikacija će započeti s postavljanjem i učitati lokalnu petodnevnu vremensku prognozu / podatke o UV indeksu / temperaturi itd. na zaslon meteorološke stanice.

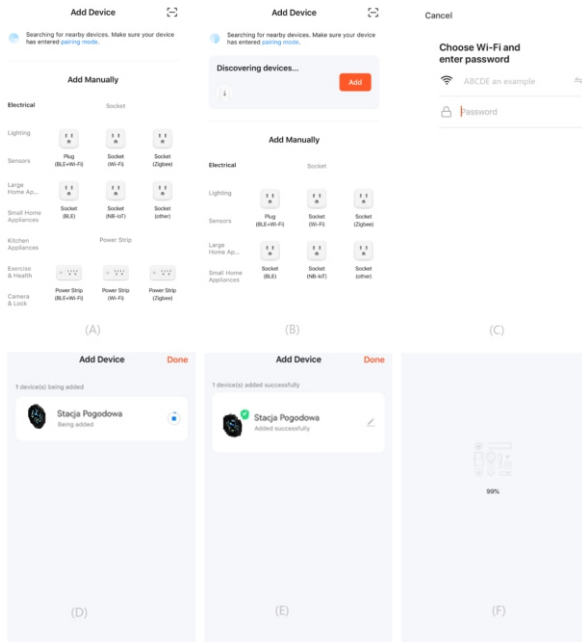
Ako je potrebno, pritisnite i zadržite tipku Wi-Fi za resetiranje Wi-Fi veze između aplikacije i uređaja, a zatim slijedite gore navedene upute za ponovno uspostavljanje veze.

Upravljanje meteorološkom stanicom putem aplikacije TUYA

Alarm / odgoda: U aplikaciji možete postaviti 3 alarma. Alarm se aktivira kao zvučni signal u postavljeno vrijeme. Kratak pritisak na bilo koji gumb može poništiti zvuk alarma i alarm će se ponovno oglasiti u isto vrijeme sljedeći dan.

Kratkim pritiskom tipke za odgodu (24) uređaj prelazi u način rada za odgodu. Alarm će se oglasiti nakon isteka podešenog vremena odgode. Alarm će se oglasiti 5 minute i automatski će se isključiti ako se više ne radi.

ostalo: Na razini aplikacije (pritiskom na odgovarajuću tipku na dnu ekrana) također možete postaviti upozorenje o prekoračenju ograničenja unutarnje i vanjske temperature, dobiti krivulju grafa unutarnje i vanjske temperature / vlažnosti i odabrati jedinicu temperature °C (stupnjeva Celzijusa) ili °F (stupnjevi Fahrenheita). Jestisako postavite i ula Ako upozoravate na prekoračenje temperaturnog ograničenja, tada kada izmjerena temperatura prijeđe postavljeno ograničenje, uređaj će emitirati signal upozorenja. Kratko pritisnite gornju tipku za odgodu kako biste poništili ovaj signal, međutim podaci o temperaturi će treperiti na zaslonu sve dok izmjerena temperatura više ne bude izvan postavljenih granica.



Pažnja:

- a. I meteorološka stanica i pametni telefon s instaliranom aplikacijom trebaju biti povezani na istu Wi-Fi mrežu.
- b. U slučaju da svoj pametni telefon iznesete izvan Wi-Fi dometa, meteorološka stanica se može povezati i raditi izravno s vašom Wi-Fi mrežom.
- c. Ako promijenite Wi-Fi mrežu ili Wi-Fi lozinku, ponovno uparite meteorološku stanicu pomoću svog pametnog telefona. Prvo možete ukloniti uređaj iz aplikacije Tuya, zatim ga ponovno upariti na isti način kao što je prethodno opisano u ovom priručniku.
- d. Ako su informacije o vremenskoj prognozi na zaslону izgubljene ili nepotpune, molimo pokušajte otvoriti aplikaciju Tuya, osvježiti i ponovno spojiti meteorološku stanicu u aplikaciji.
- e. Naziv uređaja možeš promijeniti dodirivanjem ikone olovke (obično pored naziva uređaja) u aplikaciji.
- f. Meteorološka postaja također podržava aplikaciju Smart Life. Možete otići u Apple Store ili Google Play i potražiti aplikaciju Smart Life-Smart Living za preuzimanje. Veza s aplikacijom slična je onoj u aplikaciji TUYA.



POZOR

Kada meteorološka postaja radi već neko vrijeme, odspajanje napajanja i brzo ponovno spajanje rezultirat će višim očitanjima temperature i nižim očitanjima vlažnosti (uzrokovane preostalom toplinom unutar uređaja). Samo ostavite vremensku stanicu uključenu još 15-30 minuta i očitavanja temperature i vlažnosti ponovno će postati stabilna i točna. Uključivanje klima-uređaja ili električnog ventilatora u smjeru meteorološke postaje može uzrokovati blago smanjenje temperature u prostoriji.

Ručne postavke sustava: pritisnite i zadržite tipku set (23) dok znamenka sata ne treperi na zaslonu, pritisnite tipku + ili - za podešavanje sata, kratko pritisnite tipku set za prelazak na postavku minuta, koristite istu radnju kao i postavku sata kako biste dovršili preostale postavke za format minuta/sata-12 i 24 sata/godina/mjesec/datum/mjesec i datum/jedinica temperature/percipirana temperatura ili PM2.5/jednostki senzor tlaka zraka/svjetla (uključeno/isključeno)/vrijeme odgode (5~60 minuta). Pritisnite i zadržite tipku + ili - za ubrzanje podešavanja. Pritisnite tipku set ponovno, kako biste izašli iz postavki. Ostavljanje uređaja bez aktivnosti 10 sekundi izaći će iz postupka podešavanja.

Ručno podešavanje alarma: pritisnite i zadržite tipku alarma (25) dok ikona alarma 1 i znamenka sata ne počnu treperiti na zaslonu, pritisnite tipku + ili - za podešavanje vremena alarma. Ponovno pritisnite tipku alarma za prelazak na postavku minuta alarma. Upotrijebite istu radnju kao postavku vremena alarma kako biste dovršili preostale postavke minuta načina alarma/alarma (prema datumu (1-7), radnom danu (1-5) i vikendu (6-7)); zatim nastavite postavljati alarm 2/alarm 3, što je ista radnja kao postavka alarma 1. Pritisnite i zadržite tipku + ili - za ubrzanje podešavanja. Pritisnite tipku alarma ponovno, kako biste završili i izašli iz postavki. Kratko pritisnite tipku alarma za aktiviranje alarma 1; pritisnite tipku alarma nekoliko

puta za aktiviranje ili deaktiviranje preostalih alarma i na zaslonu će se pojaviti odgovarajuća ikona alarma. Provjerite prikazuje li se ikona alarma na zaslonu nakon podešavanja, inače funkcija alarma neće raditi.

Buđenje i odgoda: Po dolasku podešenog vremena alarma, meteorološka postaja će emitirati zvučni signal. Na zaslonu će treperiti odgovarajuća ikona alarma. Pritisnite tipku alarma kako biste poništili zvuk alarma i on će se oglasiti sljedećeg dana u isto vrijeme. Pritisnite tipku za odgodu kako biste privremeno poništili zvuk alarma. Alarm će se ponovno oglasiti u skladu s podešenim vremenom odgode. Zvuk alarma traje 5 minuta i automatski će se isključiti ako se ne poduzmu daljnje radnje.

Automatski senzor osvjetljenja: Meteorološka stanica opremljena je automatskim senzorom rasvjete. Svjetlina zaslona i automatski će se prilagoditi uvjetima osvjetljenja u prostoriji. Podešavanje pozadinskog osvjetljenja zaslona: Kad je senzor svjetla isključen. Pritisnite tipku za odgodu kako biste odabrali jačinu svjetla zaslona na razini HI (High), MED. (srednja) ili LO (niska). Vrijeme izlaska i zalaska sunca: u načinu prikaza vremena pritisnite tipku set (23) za provjeru vremena izlaska sunca, ponovno ga pritisnite za provjeru vremena zalaska sunca. Pritisnite tipku set 3 puta za naizmjenični prikaz vremena izlaska i zalaska sunca. Ponovno pritisnite tipku set za povratak u standardni način rada.

Indikator vremenske prognoze

				
Sunčano	Djelomično oblačno	Oblačno	Kišno	Olujno
				
Vjetrovito	Magla	Izmaglica	Mraz	

Indeks kvalitete zraka (AQI/EPA)

Kvaliteta zraka	Indikator kvalitete zraka	Tko se treba zabrinuti?
Dobro	0-50	Odličan je dan za aktivnosti na otvorenom.
Umjereni	51-100	Neke osobe mogu biti iznimno osjetljive na kontaminaciju česticama. Posebno osjetljive skupine: Razmislite o ograničavanju produljenog ili teškog napora. Svi ostali: Dobar je dan za provođenje vremena na otvorenom.
Nezdravo za osjetljive osobe	101-150	Osjetljive skupine uključuju osobe koje pate od bolesti srca ili pluća, starije osobe, djecu i adolescente. Osjetljive skupine: smanjuju produljeni ili teški fizički napor.
Nezdravo	151-200	Osjetljive skupine: Treba izbjegavati dugotrajni ili teški napor. Svi ostali: Smanjite produljeni ili teški napor. Napravite više pauza tijekom svih aktivnosti na otvorenom.
Vrlo nezdravo	201-300	Osjetljive skupine: treba izbjegavati svaku tjelesnu aktivnost na otvorenom. Svi ostali: izbjegavajte dugotrajne ili teške napore.
Opasno	301-500	Osjetljive skupine: ostanite kod kuće i održavajte tjelesnu aktivnost niskom. Svi: Izbjegavajte fizičke aktivnosti na otvorenom.

Za očitavanje maksimalne i minimalne unutarnje i vanjske temperature i vlažnosti: U načinu prikaza vremena jednom pritisnite tipku "-" (22) kako biste prikazali maksimalnu unutarnju i vanjsku temperaturu i zapise vlažnosti s ikonama "max" koje se pojavljuju na zaslonu. Ponovno pritisnite tipku "-" kako biste prikazali minimalne zapise o unutarnjoj i vanjskoj temperaturi i vlazi s ikonama "min" na zaslonu.

Kada se prikažu maksimalne ili minimalne vrijednosti, pritisnite i zadržite tipku – za resetiranje oba zapisa (minimalna i maksimalna) i uređaj će ponovno početi snimati maksimalne i minimalne vrijednosti.

Rješavanje problema

Nema informacija na zaslonu	<ul style="list-style-type: none"> ✧ Provjerite je li AC/DC adapter ispravno spojen na uređaj.
Temperatura/vlažnost vanjskog senzora se ne prikazuje.	<ul style="list-style-type: none"> ✧ Provjerite da udaljenost između stanice i senzora ne prelazi 30 m (preporučeno) ✧ Provjerite jesu li stanica i senzor udaljeni najmanje 2 metra od monitora i TV prijemnika. ✧ Izbjegavajte postavljanje uređaja na ili blizu metalnih okvira prozora. ✧ Izbjegavajte korištenje postaje u blizini elektroničkih uređaja poput zvučnika koji rade na istoj frekvenciji (433 MHz). ✧ Još jednom provjerite jesu li isporučena 3 bežična senzora postavljena na različite kanale. ✧ Izvadite baterije, pričekajte neko vrijeme, a zatim ih ponovno umetnite.
Nema informacija o vremenskoj prognozi na zaslonu	<ul style="list-style-type: none"> ✧ Pokušajte osvježiti vezu meteorološke stanice s aplikacijom Tuya. ✧ Pokušajte ponovo povezati meteorološku stanicu s aplikacijom Tuya.

Tehnički podaci**Raspon temperatura**

Unutrašnjost: -10° C/14°~50° C/122° C (na zaslonu se prikazuje HH.H/LL.L ako je očitavanje izvan raspona)

Vani: -40° C/-40°~60° C/140° C (na zaslonu se prikazuje HH.H/LL.L ako je očitavanje izvan raspona)

Opseg vlažnosti

Unutrašnjost: 1%-99% (na zaslonu se prikazuje HH.H/LL.L ako je očitavanje izvan raspona)

Vani: 1%-99% (na zaslonu se prikazuje HH.H/LL.L ako je očitavanje izvan raspona)

Podjela temperature: 0.2°F / 0.1°C

Točnost očitavanja temperature iznutra: +/- 1°C

Točnost očitavanja temperature izvana: +/- 1°C

Rezolucija RH%: 1%

Točnost očitavanja unutarnje i vanjske vlažnosti: 30% ~ 70% ±5%

Izvan ovih raspona: ±7%

Format vremena: 24 sata

Vrijeme: 0:00

Alarm 1, 2 i 3: 06:00

Vrijeme trajanja alarma: 5 minuta

Trajanje mirovanja: 5 minuta

Kalendar: Datum-Mjesec / Mjesec-Datum

Format vremena: 12/ 24 sata

Temperatura: °C/°F

Pritisak zraka: hPa / inHg

PM 2,5: 0 - 999 ug/m³

Frekvencija prijenosa: 433 MHz

Raspon prijenosa: 50 m (otvoreni prostor)

(Napomena: specifikacije proizvođača mogu se promijeniti bez prethodne obavijesti.)

Informații importante

- Instrucțiunile de operare și informațiile referitoare la siguranță trebuie păstrate în scopul folosirii lor în viitor.
- Nu permiteți ca pe dispozitiv să picure sau să se verse vreun lichid.
- Nu îl folosiți în locuri umede, cum ar fi de ex. sala de baie.
- Dispozitivul nu poate fi montat în următoarele locuri:
- Expus la lumina directă a soarelui sau în apropierea caloriferelor.
- Plasat deasupra unui alt dispozitiv stereofonic care emite căldură.
- Blocând ventilația sau într-un loc prăfuit.
- În locuri expuse la vibrații constante.
- În locuri cu umiditate ridicată.
- Nu așezați dispozitivul în apropierea lumânărilor sau a focului deschis.
- Dispozitivul poate fi folosit exclusiv în modul descris în instrucțiunile de mai jos.
- Înainte de prima pornire, asigurați-vă că sursa de alimentare este conectată în mod corespunzător.

Din motive de securitate, nu demontați carcasele și nu încercați să accesați interiorul dispozitivului. Dispozitivul trebuie reparat de personalul calificat din service.

Nu demontați și nu deschideți carcasa, deoarece în interior nu există elemente ce ar putea fi reparate de utilizator. De mentenanță și repararea echipamentului se ocupă exclusiv angajații calificați ai service-ului.

INSTRUCȚIUNI REFERITOARE LA SIGURANȚĂ

1. Citiți instrucțiunile – înainte de utilizarea dispozitivului, citiți în întregime instrucțiunile de utilizare, precum și informațiile referitoare la siguranță.
2. Urmați instrucțiunile – păstrați instrucțiunile de utilizare și operare în scopul folosirii lor în viitor.
3. Respectați avertismentele – procedați conform tuturor avertismentelor plasate pe dispozitiv, precum și conform instrucțiunilor de utilizare.
4. Urmați instrucțiunile – procedați conform instrucțiunilor de operare și indicațiilor pentru utilizator.
5. Instalare – setați dispozitivul conform instrucțiunilor producătorului.
6. Surse de alimentare – dispozitivul trebuie alimentat exclusiv de la sursa cu parametrii indicați în marcasele de pe cablul de alimentare. Dacă utilizatorul nu este sigur de tipul de alimentare de care dispune acasă, trebuie să contacteze vânzătorul dispozitivului sau furnizorul local de energie electrică.
7. Apă și umezeală – pentru a reduce riscul de incendiu sau electrocutare, nu expuneți dispozitivul la ploaie, apă și umiditate directă, ca de ex. în saună sau baie. Nu folosiți dispozitivul în apropierea apei, de exemplu lângă cadă, lavoar, chiuveta de bucătărie, într-o pivniță umedă sau în apropierea unei piscine (sau în locuri similare).
8. Obiecte și lichide în dispozitiv – nu trebuie forțate niciun fel de obiecte prin deschiderile dispozitivului, deoarece acestea pot să intre în contact cu punctele de tensiune periculoasă și cu componentele, ceea ce poate provoca incendiu sau electrocutare. În niciun caz nu vărsați niciun fel de lichide pe suprafața dispozitivului. Nu puneți pe suprafața dispozitivului obiecte ce conțin lichide.
9. Servisare – nu încercați să serviți singur dispozitivul. Deschiderea capacului poate duce la contactul cu o tensiune periculoasă și poate expune utilizatorul la alte pericole. De mentenanță și repararea echipamentului se ocupă exclusiv angajații calificați ai service-ului.
10. Piese de schimb – la înlocuirea pieselor, trebuie verificat dacă angajatul service-ului a folosit piesele de schimb recomandate de producător sau dacă aceste piese sunt identice cu cele originale. Înlocuirea cu piese neaprobate poate duce la incendii, electrocutare sau alte pericole.
11. Temperatura maximă ambientă pentru dispozitiv este de 35°C.
12. Instrucțiuni referitoare la descărcările electrostatice – dacă funcționarea dispozitivului este perturbată de descărcări electrostatice, acesta trebuie oprit și repornit sau mutat în alt loc.

28. Bateria

- Bateriile nu pot fi expuse la căldură excesivă, cum ar fi razele de soare, foc, ș.a.
- Când aruncați bateriile, acordați atenție aspectelor legate de protecția mediului.
- Avertisment referitor la folosirea bateriei: pentru a nu permite pierderea etanșeității bateriei, ceea ce poate provoca vătămări corporale sau deteriorare a dispozitivului:
 - În timpul introducerii bateriei, respectați polaritatea acesteia (+ și -).
 - Nu folosiți în același timp baterii diferite — vechi și noi, baterii standard și alcaline, ș.a.
 - Scoateți bateriile din dispozitiv, atunci când acesta nu este folosit pentru o perioadă mai lungă.

ATENȚIE

Dispozitivul nu trebuie folosit de persoanele (inclusiv copiii) cu capacități fizice, senzoriale sau mentale reduse, precum și de persoanele cu cunoștințe și experiență insuficiente, în cazul în care nu se află sub supravegherea unei persoane responsabile pentru siguranța lor și nu au fost instruite cum să folosească dispozitivul în condiții de siguranță. Prezența persoanelor adulte este necesară, dacă dispozitivul este folosit de copii; aceasta va permite o folosire în condiții de siguranță a dispozitivului.

- Nu lăsați dispozitivul nesupravegheat în timpul funcționării! Dispozitivul trebuie închis când nu este folosit, chiar și pentru o perioadă scurtă de timp.
- Dispozitivul nu poate fi folosit prin intermediul unui temporizator extern și nici cu ajutorul unui sistem separat cu comandă de la distanță.
- Pentru evitarea pericolului în cazul deteriorării cablului de alimentare, înlocuirea trebuie efectuată de producător, de punctul autorizat de service sau de o altă persoană calificată în acest sens.
- Înainte de a începe deservirea dispozitivului, trebuie verificat dacă tensiunea acestuia corespunde tensiunii din rețeaua locală de alimentare.
- Pentru a evita incendiile sau electrocutarea, dispozitivul trebuie protejat împotriva locurilor fierbinți, ploii, umezelii și prafului.
- Nu expuneți dispozitivul la câmpuri magnetice puternice.
- Nu așezați dispozitivul direct pe amplificator sau amplituner.
- Nu așezați dispozitivul într-un loc umed, deoarece umiditatea are efect dăunător asupra componentelor electrice.
- După mutarea dispozitivului dintr-un loc rece către un loc cald sau un loc umed, se poate forma condens pe lentila din interiorul playerului. În această situație dispozitivul nu va funcționa corect. Lăsați dispozitivul să funcționeze aproximativ o oră pentru a permite evaporarea umidității.
- Nu curățați dispozitivul cu solvenți chimici, deoarece aceștia pot distruge lacul carcasei. Dispozitivul se curăță cu o cârpă curată, uscată sau ușor umezită.

ATENȚIE

Declarație

Prin prezenta Blaupunkt Competence Center 2N-Everpol Sp. z o.o. [SRL] declara că acest dispozitiv este în conformitate cu cerințele și alte dispoziții corespunzătoare ale directivei 2014/53 / UE. Declarația completă de conformitate poate fi obținută pe pagina www.blaupunkt.com n secția produsului.

Entitate responsabilă: 2N-Everpol Sp. Z o.o.

Puławska 403A, 02-801 Varșovia, Polonia

Telefon: +48 22 688 08 00, e-mail: info@everpol.pl



Produsul a fost realizat din materiale și componente de înaltă calitate, ce pot fi reciclate și reutilizate.



Dacă pe dispozitiv există un semn de gunoi tăiat cu roți, înseamnă că produsul este acoperit de prevederile Directivei Europene 2012/19/UE. Pe baza acestui lucru, vă rugăm să respectați reglementările locale și să vă familiarizați cu cerințele pentru sistemul dvs. local de colectare a deșeurilor electrice și electronice și, în cazul acestui produs, să le respectați.

NU ARUNCAȚI ACEST PRODUS CU DEȘEURUL MENAJAR!

ACEST PRODUS CONȚINE SUBSTANȚE, AMESTECURI ȘI COMPONENTE PERICULOASE CARE, DACĂ NEAUTORIZATE, POT FI O SURSA DE EFECTE POTENȚIALE ASUPRA MEDIULUI NATURAL ȘI A SĂNĂTĂȚII UMANE!

Eliminarea corectă a produsului folosit va preveni efectele negative asupra mediului și sănătății umane.



Dispozitivul este echipat cu baterii care fac obiectul directivei europene 2006/66/EC. Bateriile nu pot fi aruncate împreună cu deșeurile menajere. Consultați reglementările locale privind colectarea separată a bateriilor, deoarece eliminarea corectă va împiedica potențialele consecințe negative pentru mediul natural și sănătatea umană.

Informații privind protecția mediului înconjurător

Ambalajul conține doar elementele necesare. S-au făcut toate eforturile ca cele trei materiale componente ale ambalajului să fie ușor de separat: cutia de carton (cutia), spuma de polistiren (protecție interioară) și polietilena (pungi, folie protectoare). Dispozitivul a fost produs din materiale ce pot fi reciclate și reutilizate după demontarea lor de către o firmă specializată. Trebuie respectate reglementările locale referitoare la eliminarea materialelor de ambalare, bateriilor folosite și a echipamentelor inutile. Înregistrarea și redarea materialelor poate necesita obținerea unei autorizații. Consultați legea referitoare la drepturile de autor și drepturile executanților / artiștilor.

Remarcă referitoare la ERP2 (dispozitive legate de energie)

Prezentul dispozitiv cu ecoproiect îndeplinește cerințele etapei 2 din Regulamentul Comisiei (CE) nr 1275/2008 care introduce directiva 2009/125/CE referitoare la consumul de energie al dispozitivelor electronice de birou și de uz casnic, închise sau aflate în regim de stand by.

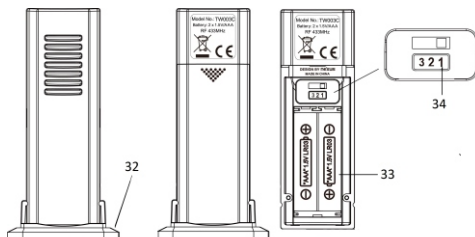
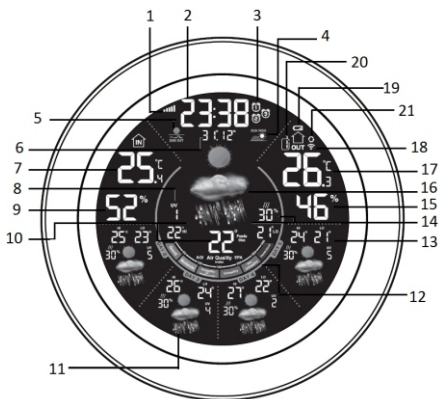
Vă mulțumim pentru achiziționarea stației noastre meteo. Acest model are următoarele funcții.

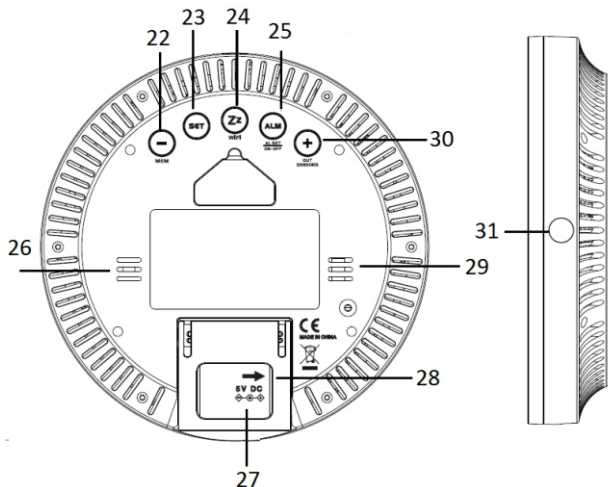
Funcții

- Suport pentru aplicația TUYA
- Prognoză meteo pe 5 zile, indice UV, cea mai joasă/cea mai înaltă temperatură
- Temperatura din interior/exterior
- Umiditate în interior/exterior
- Umiditate în interior/exterior
- Alarmă cu funcția ațipire/amânare
- Acceptă până la 3 senzori wireless externi care emit semnal pe diferite canale (1 senzor inclus)
- Indicator de confort termic în încăpere
- Barometru

Vă rugăm să citiți aceste instrucțiuni înainte de a porni acest dispozitiv. Păstrați instrucțiunile pentru a le putea folosi în viitor.

Afișaj și comenzi






- 1- Pictograma semnalului Wi-Fi 2- Ceas 3- Deșteptătorul 1/2/3
 4- Pictograma răsăritului de soare 5- Pictograma apusului de soare 6- Calendar
 7- Temperatura din interior 8- Indice UV 9- Umiditatea din interior
 10- Temperatura resimțită și indicele PM2.5 (afișate alternativ pe afișaj)
 11- Prognoză meteo 12- Indicele calității aerului
 13- Valoarea cea mai scăzută și cea mai ridicată a temperaturii 14- Precipitații
 15- Umiditate externă 16- Prognoză meteo 17- Temperatura exterioară
 18- Pictograma de semnal pentru senzorul wireless extern
 19- Indicator de baterie descărcată pentru senzorul fără fir. (Dacă apare această pictogramă, înlocuiți bateria senzorului extern cu una nouă).
 20- Numărul senzorului wireless extern 21- Funcția de derulare automată a afișajului activată
 22- Butonul de memorie MEM și "-" 23- Tasta de setare SET
 24- Butonul de ațipire și semnal Wi-Fi
 25- Buton de setare, activarea și dezactivarea deșteptătorului ALM
 26- Orificii de ventilație 27- Priză de alimentare DC - IN 28- Suport pliabil
 29- Orificii de ventilație 30- Butonul "+" și schimbarea canalelor senzorilor externi
 31- Fereastra senzorului automat de iluminare de fundal 32- Suport de agățare
 33- Compartimentul bateriei senzorului fără fir
 34- Comutatorul numărului de canal al senzorului extern

Conectarea alimentării

Conectați adaptorul AC/DC furnizat la o priză AC de uz casnic pentru a avea o sursă de alimentare, conectați conectorul DC al adaptorului la priza de alimentare DC de pe partea laterală a panoului din spate, introduceți cablul de alimentare prin orificiul central al


suportului rabatabil. Afișajul se va aprinde și dispozitivul va fi gata de utilizare. Deschideți capacul compartimentului pentru baterii al senzorului fără fir extern, introduceți 2 baterii AAA (nu sunt furnizate) în compartiment în conformitate cu polaritatea corectă indicată în compartiment. Vă recomandăm să utilizați baterii alcaline de înaltă calitate pentru a obține cele mai bune performanțe de la produs. Nu sunt recomandate bateriile cu rezistență mare sau bateriile reincărcabile.

Primirea semnalului de la un senzor wireless extern

Când sursa de alimentare este conectată corespunzător, stația meteo detectează și primește automat un semnal de la măsurarea temperaturii și umidității exterioare de la un senzor wireless extern. Recuperarea semnalului va dura maxim 3 minute. În timpul căutării, indicatorul de recepție a semnalului senzorului wireless  (în apropierea pictogramei cu numărul canalului senzorului extern) va clipi și se va stabiliza atunci când semnalul este recepționat cu succes. Dacă stația nu primește semnal de la un senzor extern, indicatorul de recepție a semnalului va dispărea după 3 minute iar pe afișaj va apărea următorul simbol în locul datelor de temperatură și umiditate externă: „-“. Dacă trebuie să reconectați senzorul, apăsați și mențineți apăsat butonul de selectare a canalului senzorului extern (30) de pe partea din spate a unității principale timp de 3 secunde. Dispozitivul scanează din nou și primește un semnal de la unul sau mai mulți senzori disponibili, unul după altul.

Amplasarea dispozitivului și alte observații

1. Important: Stația meteo se poate conecta și poate funcționa cu până la 3 senzori externi (este inclus un singur senzor). Dacă aveți 2 sau 3 senzori wireless, fiecare dintre ei trebuie să fie setat pe un canal de transmisie diferit, astfel încât toate să funcționeze în același timp. Pentru a verifica și a schimba canalul (sunt disponibile 3 canale), deschideți compartimentul bateriei senzorului wireless și utilizați butonul CH pentru a poziționa senzorul pe canalul corespunzător. Apăsați scurt butonul de selectare a canalului (CH) de pe panoul lateral al stației meteo pentru a verifica și comuta datele de la toți senzorii externi wireless asociați.

Prin apăsarea scurtă a butonului de canal al senzorilor externi (30) de pe panoul din spate, datele de la diferiți senzori wireless externi pot fi verificate și comutate. Apăsați acest buton în mod repetat până când apare pictograma, , pentru a afișa alternativ datele de temperatură și umiditate de la toți senzorii conectați. Apăsați din nou butonul pentru a anula funcția.

2. Vă rugăm să amplasați și să utilizați stația meteo și un senzor extern la 1,5~2 metri de sursele de interferență, cum ar fi monitoare de computer sau televizoare. Stația meteo trebuie, de asemenea, să fie amplasată departe de ferestre cu rame metalice.

3. Nu utilizați alte produse electronice, cum ar fi căștile sau difuzoarele, care funcționează la aceeași frecvență a semnalului (433 MHz), deoarece acestea pot provoca interferențe. Vă rugăm să rețineți că, dacă vecinii dvs. utilizează dispozitive electronice care funcționează la aceeași frecvență a semnalului (433 MHz), acestea pot provoca, de asemenea, interferențe în funcționarea corectă.

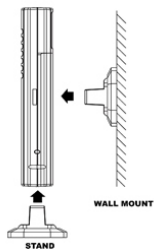
4. Pentru a asigura măsurarea precisă a temperaturii interioare, așezați stația meteo într-un loc uscat, fără murdărie și praf. Alegeți un loc departe de lumina directă a soarelui și de alte surse de căldură, precum și de orificiile de ventilație.

5. Senzorul wireless poate fi instalat în aer liber. Pentru cea mai bună precizie posibilă a măsurătorii, așezați senzorul în poziție verticală, la cel puțin 1,5 ~ 2 metri de sol, într-un loc protejat de ploaie și cu o bună circulație a aerului. Nu expuneți senzorul la lumina directă a soarelui pentru perioade lungi de timp.

6. Distanța maximă de lucru a senzorului fără fir este de 50 de metri de stația meteo, fără nici un obstacol între ele.

7. Semnalul de la senzorul wireless este transmis la stație la fiecare 114 secunde (canalul 1), 134 secunde (canalul 2), 158 secunde (canalul 3).

8. Puteți poziționa senzorul pe verticală sau îl puteți monta pe perete, după cum se arată mai jos.



Instalarea aplicației TUYA și configurarea

Important: Înainte de a începe să descărcați aplicația TUYA și să conectați dispozitivul la o rețea Wi-Fi, asigurați-vă că smartphone-ul dvs. este conectat la o rețea Wi-Fi de 2,4 G sau la o rețea hibridă de 2,4 G/5 G și porniți Bluetooth. Aparatul nu acceptă rețeaua de 5GHz.

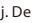
Aplicația TUYA smart: Utilizați smartphone-ul pentru a scana codul QR de mai jos și pentru a descărca aplicația „Tuya smart” (în funcție de IOS sau Android) pe dispozitivul dvs. Puteți căuta, de asemenea, aplicația Tuya smart în magazinul Apple sau Google Play pentru a o descărca. Apoi, lansați aplicația pe dispozitivul dvs., verificați și marcați permisiunile corespunzătoare, înregistrați-vă sau conectați-vă la contul dvs., conform instrucțiunilor de pe ecranul smartphone-ului.



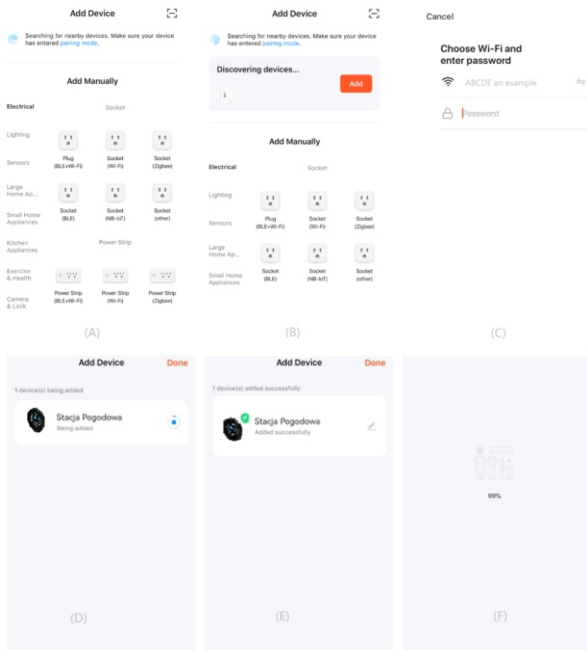
For Android



For iOS

Asocierea și configurarea Wi-Fi: Porniți stația meteo, apăsați și mențineți apăsat butonul Wi-Fi (24) de pe panoul din spate timp de 3 secunde și intrați în modul de asociere. Simbolul de rețea  clipește pe afișaj. Deschideți aplicația Tuya smart de pe dispozitivul dvs., atingeți „Adaugă dispozitivul” (fotografia A) și căutați dispozitivul în aplicație (poate solicita acces la locație, vă rugăm să vă dați consimțământul), verificați lista de detectare a dispozitivului și atingeți „Adaugă” (a se vedea fotografia B), selectați numele rețelei Wi-Fi de la domiciliu și introduceți parola conform solicitării. Stația meteo se va asocia cu aplicația, apoi apăsați butonul „Gata” (a se vedea figurile D și E). Aplicația va porni configurația și va trimite prognoza meteo locală pe 5 zile/indicele UV/datele de temperatură etc. către afișajul stației meteo.

Dacă este necesar, țineți apăsat butonul Wi-Fi pentru a reseta conexiunea Wi-Fi dintre aplicație și dispozitivul dvs., apoi urmați instrucțiunile de mai sus pentru a vă reconecta.



Funcționarea stației meteo prin aplicația TUYA

Alarmă/amănare: Puteți seta trei alarme în aplicație. Alarma se activează prin intermediul unui semnal sonor la un moment fix. O apăsare scurtă a oricărui buton poate anula sunetul de alarmă și alarma va suna din nou la aceeași oră a doua zi.

Apăsarea scurtă a butonului ațipire (24) pune unitatea în modul ațipire. Deșteptătorul va suna la expirarea timpului de ațipire setat. Sunetul alarmei va dura 5 minute și se va opri automat dacă nu mai sunt efectuate alte operații.

Altele: În aplicație (prin apăsarea butonului corespunzător din partea de jos a ecranului), puteți seta, de asemenea, o alarmă pentru depășirea limitei de temperatură din interior și exterior, puteți obține o curbă a graficului de umiditate din interior și exterior și puteți selecta o unitate de temperatură °C (grade Celsius) sau °F (grade Fahrenheit). Dacă setați și activați o alarmă a limitei de temperatură și dacă temperatura măsurată depășește limita setată, dispozitivul va emite un semnal de avertizare. Apăsați scurt butonul Ațipire pentru a anula acest semnal, însă datele de temperatură vor lumina intermitent pe afișaj până când temperatura măsurată nu mai depășește limitele setate.



Notă:

- Atât stația meteo, cât și smartphone-ul cu aplicația instalată trebuie să fie conectate la aceeași rețea Wi-Fi.
- Dacă scoateți smartphone-ul din rețeaua Wi-Fi, stația meteorologică se poate conecta și lucra direct cu rețeaua Wi-Fi.
- Dacă schimbați rețeaua Wi-Fi sau parola Wi-Fi, asociați din nou stația meteo cu smartphone-ul. Mai întâi, puteți șterge dispozitivul din aplicația Tuya, apoi îl puteți asocia din nou în același mod descris anterior în acest manual.
- Dacă informațiile despre prognoza meteo sunt pierdute sau sunt incomplete, încercați să deschideți aplicația Tuya, reîmprospătând și reconectând stația meteo în aplicație.
- Puteți redenumi un dispozitiv atingând pictograma creion (de obicei lângă numele dispozitivului) în aplicație.
- Stația meteo acceptă și aplicația Smart Life. Puteți accesa Apple Store sau Google Play și să căutați aplicația Smart Life-Smart Living pentru a o descărca. Conexiunea la aplicație este similară cu cea de la aplicația TUYA.

ATENȚIE

În cazul în care stația meteorologică funcționează de ceva timp, deconectarea de la sursa de alimentare și reconectarea rapidă va duce la citiri mai mari ale temperaturii și mai mici ale umidității (datorită căldurii reziduale din interiorul unității). Pur și simplu lăsați stația meteo pornită pentru încă 15-30 de minute, iar temperatura și umiditatea vor deveni din nou stabile și precise.

Pornirea aparatului de aer condiționat sau a ventilatorului electric către stația meteo poate duce la o ușoară scădere a afișării temperaturii camerei.

Setări manuale ale sistemului: țineți apăsat butonul de setare (23) până când cifra orei începe să clipească pe afișaj, apăsați butonul + sau - pentru a seta ora, apăsați scurt butonul de setare pentru a trece la setarea minutelor, utilizați aceeași operațiune ca la setarea orei ceasului pentru a finaliza setările rămase pentru minute/formatul ceasului - 12 și 24 ore/an/lună/dată/lună și formatul datei/unitate de temperatură/temperatură sensibilă sau PM2.5/unitate de presiune a aerului/senzor de lumină (pornit/oprit)/timp de ațipire (5~60 minute). Apăsați și mențineți apăsat butonul + sau - pentru a accelera setarea. Apăsați din nou butonul set pentru a finaliza și a ieși din setări. Dacă lăsați dispozitivul fără nicio operațiune timp de 10 secunde, ve-ți ieși din procedura de setare.










Setarea manuală a deșteptătorului: apăsați și mențineți apăsat butonul deșteptătorului (25) până când pictograma de alarmă 1 și cifra orei încep să clipească pe afișaj, apăsați butonul + sau - pentru a seta ora deșteptătorului. Apăsați din nou butonul deșteptătorului pentru a trece la setarea minutelor deșteptătorului. Utilizați aceeași operațiune ca la setarea orei deșteptătorului pentru a finaliza setările minutelor deșteptătorului/modului deșteptătorului rămase (în funcție de dată (1-7) și de ziua săptămânii (1-5) și de weekend (6-7)); apoi continuați cu setarea deșteptătorului 2/deșteptătorului 3, care este aceeași operațiune ca și setarea deșteptătorului 1. Apăsați și mențineți apăsat butonul + sau - pentru a accelera setarea. Apăsați butonul deșteptătorului pentru a finaliza și a ieși din setări. Apăsați scurt butonul deșteptătorului pentru a activa deșteptătorul 1; apăsați butonul deșteptătorului în mod repetat pentru a activa sau dezactiva celelalte alarme, iar pictograma corespunzătoare deșteptătorului va apărea pe afișaj. Asigurați-vă că pictograma deșteptătorului apare pe afișaj atunci când este setată, altfel funcția de deșteptător nu va funcționa.

Trezirea și ațipirea: Când sosește ora setată a deșteptătorului, stația meteo va emite un semnal sonor. Pictograma deșteptătorului corespunzătoare va începe să clipească pe afișaj. Apăsați butonul deșteptătorului pentru a anula sunetul deșteptătorului, iar deșteptătorul va suna la aceeași oră în ziua următoare. Apăsați butonul ațipire pentru a anula temporar sunetul deșteptătorului, alarma va suna din nou în funcție de timpul de ațipire setat. Durata sunetului deșteptătorului este de 5 minute și se va opri automat dacă nu se iau măsuri suplimentare.

Senzor automat de lumină: Stația meteo este echipată cu un senzor automat de lumină. Luminozitatea afișajului și va fi ajustată automat în funcție de condițiile de iluminare din cameră. Reglarea luminii de fundal a afișajului: Când senzorul de lumină este setat pe oprit. Apăsați butonul ațipire pentru a selecta luminozitatea afișajului la HI (mare), MED. (mediu) sau LO (scăzut).

Ora răsăritului și a apusului: în modul de afișare a orei, apăsați butonul de setare (23) pentru a verifica ora răsăritului, apăsați-l din nou pentru a verifica ora apusului. Apăsați butonul de setare de 3 ori pentru a alterna între orele de răsărit și apus. Apăsați din nou butonul de setare pentru a reveni la modul standard.

Indicatorul prognozei meteo

				
Însorit	Acoperire parțială cu nori	Nebulozitate	Ploios	Furtună
				
Vânt	Ceață	Încețoșare	Ger	

Indicele calității aerului (AQI/EPA)

Calitatea aerului	Indicator de calitate a aerului	Cine ar trebui să fie îngrijorat?
Bună	0-50	Este o zi minunată pentru activități în aer liber.
Moderată	51-100	Some people who may be unusually sensitive to particle pollution. Unusually sensitive groups: Consider reducing prolonged or heavy exertion. Everyone else: It's good day to be active outside.
Unnesănătoasă pentru persoanele sensibile	101-150	Unele persoane pot fi extrem de sensibile la contaminarea cu particule. Grupuri vulnerabile: Luați în considerare limitarea exercițiilor prelungite sau care necesită efort. Toți ceilalți: Este o zi bună pentru a petrece timpul în aer liber.
Nesănătoasă	151-200	Grupurile vulnerabile includ persoanele cu afecțiuni cardiace sau pulmonare, vârstnicii, copiii și adolescenții. Grupuri vulnerabile: exercițiile prelungite sau care necesită efort trebuie limitate.
Foarte nesănătoasă	201-300	Grupuri vulnerabile: Trebuie evitat efortul prelungit sau intens. Toți ceilalți: Reduceți efortul prelungit sau intens. Luați mai multe pauze în timpul tuturor activităților în aer liber.
Periculoasă	301-500	Grupuri vulnerabile: rămâneți acasă și mențineți un nivel scăzut de activitate fizică. Toți: Evitați orice activitate fizică în aer liber.

Pentru a citi temperaturile maxime și minime și umiditatea din interior și exterior: În modul de afișare a timpului, apăsați o dată butonul „-” (22) pentru a afișa înregistrările maxime ale temperaturii și umidității interioare și exterioare, pictogramele „MAX” apărând pe afișaj. Apăsați din nou butonul „-” pentru a afișa temperaturile interioare și exterioare minime și înregistrările umidității, pictogramele „MIN” apărând pe afișaj. Când sunt afișate valorile maxime sau minime, țineți apăsat butonul - pentru a reseta ambele înregistrări (minimă și maximă), iar dispozitivul va începe să înregistreze din nou valorile maxime și minime.

Soluționarea problemelor

Lipsa informațiilor pe afișaj	<ul style="list-style-type: none"> ✧ Verificați dacă sursa de alimentare AC/DC este conectată corect la dispozitiv.
Temperatura/umiditatea de la senzorul extern nu este afișată.	<ul style="list-style-type: none"> ✧ Verificați dacă distanța dintre stație și senzor nu depășește 30 m (recomandat) ✧ Asigurați-vă că stația și senzorul sunt la cel puțin 2 m distanță de monitoare și televizoare. ✧ Evitați plasarea dispozitivelor pe sau în apropierea ramelor metalice ale ferestrelor. ✧ Evitați utilizarea stațiilor în apropierea dispozitivelor electronice, cum ar fi difuzoarele care funcționează la aceeași frecvență (433 MHz). ✧ Vă rugăm să verificați cu atenție dacă cei 3 senzori wireless furnizați au fost poziționați pe canale diferite. ✧ Scoateți bateriile, așteptați un moment și apoi reintroduceți-le.
Nu sunt afișate informații despre prognoza meteo	<ul style="list-style-type: none"> ✧ Încearcăți să reîmprospătați conexiunea dintre stația meteo și aplicația Tuya. ✧ Încearcăți să reconectați stația meteo la aplicația Tuya.

Date tehnice**Interval de temperatură**

În interior: -10°C/14°F-50°C/122°F (afișajul arată HH.H / LL.L dacă citirea este în afara acestui interval)

La exterior: -40°C/-40°F-60°C/140°F(afișajul arată HH.H / LL.L dacă citirea este în afara acestui interval)

Intervalul de umiditate

În interior: 1%-99% (afișajul arată HH.H / LL.L dacă citirea este în afara acestui interval)

La exterior: 1%-99% (afișajul arată HH.H / LL.L dacă citirea este în afara acestui interval)

Rezoluția temperaturii: 0,2°F / 0,1°C

Precizia citirii temperaturii din interior: +/- 1°C

Precizia citirii temperaturii din exterior: +/- 1°C

Rezoluția RH%: 1%

Precizia citirii umidității din interior și precizia citirii umidității din exterior: 30% ~ 70% ±5%

Dincolo de aceste intervale: ±7%

Formatul orei: 24 ore

Oră: 0:00

Alarma 1, 2 și 3: 6:00 dimineața

Durata deșteptătorului: 5 de minute

Durata ațipirii: 5 de minute

Calendar: Data-luna / Luna-data

Formatul orei: 12/24 ore

Важна информация

- Запазете инструкцията за ползване, както и информацията за безопасност, с цел използване в бъдеще.
- Да не се допуска прокапване или протичане на течност върху устройството.
- Също да не се използва на влажни места като например в баня.
- Да не се инсталира това устройство на следните места:
- Изложени на непосредствено действие на слънчеви лъчи или близо до радиатори.
- Да не се поставя на повърхността на друго стереофонично оборудване, което отделя топлина.
- Ако ще блокира вентилация или в прашно помещение.
- На места, изложени на постоянна вибрация.
- На места с висока влажност.
- Да не се поставя устройството близо до свещи или открит огън.
- Устройството може да се използва единствено по начина, описан в настоящата инструкция.
- Преди първото включване на захранването трябва да се уверите, че зарядното устройство е включено правилно.

От съображения за сигурност да не се демонтират конструкциите, както и да не се осигурява достъп до вътрешността на устройството. Забранено е отвъртането на устройството, както и отварянето на неговата конструкция, тъй като вътре няма части, които биха могли да бъдат поправени от потребителя. С обслужването и поправката на оборудването се занимават единствено квалифицирани служители на сервиза.

ИНСТРУКЦИИ ЗА БЕЗОПАСНОСТ

1. Прочетете инструкцията – преди употреба прочетете цялата инструкция за обслужване, както и информацията за безопасност.
2. Запазете инструкцията – запазете инструкцията за употреба и обслужване с цел по-нататъшно използване.
3. Спазвайте предупрежденията – постъпвайте съгласно с всички предупреждения, поместени на устройството и съгласно с инструкцията за употреба.
4. Спазвайте инструкциите – постъпвайте съгласно инструкцията за употреба и насоките за потребителя.
5. Инсталация - настройвайте устройството в съответствие с инструкциите на производителя.
6. Източници на захранване - захранвайте устройството само от източници с параметри, посочени на захранващия кабел. Ако не сте сигурни каква енергия имате въкъщи, трябва да се свържете с продавача на устройството или местния доставчик на електрическа енергия.
7. Вода и влага - За да намалите риска от пожар или токов удар, не излагайте устройството на пряк дъжд, вода или влага, например в сауната или в банята. Не използвайте това устройство близо до вода като вана, мивка, кухненска мивка или вана, в мокро помещение или в близост до плувен басейн (или на подобни места).
8. Предмети и течности в устройството - не вкарвайте предмети през отворите на устройството, тъй като могат да влязат в контакт с опасни точки и компоненти на напрежение, което може да доведе до пожар или токов удар. При никакви обстоятелства не трябва да разливате течности по повърхността на устройството. Не поставяйте върху устройството предмети, съдържащи течности.
9. Обслужване - не се опитвайте самостоятелно да правите преглед на устройството. Отварянето на капака може да доведе до опасно напрежение и да изложи потребителя на други опасности. С консервация и ремонтване на оборудването се занимават единствено квалифицирани служители на сервиза.

10. Резервни части - при подмяна на части се уверете, че техникът е използвал препоръчаните от производителя резервни части или също, че частите са идентични с оригиналните. Подмяната с неодобренени части може да доведе до пожар, токов удар или други опасности.
11. Максималната температура на околната среда на устройството е 35 ° C.
12. Инструкции за електростатично разреждане - ако работата на устройството е прекъсната от електростатичен разряд, изключете уреда и повторно включете устройството или го преместете на друго място.
13. Батерия
 - a. Не излагайте батериите на прекомерна топлина като например слънчеви лъчи, огън и др.
 - б. Когато използвате батериите, обърнете внимание на изискванията за опазване на околната среда.
 - в. Предупреждение за използване на батерията: За да не се стигне до изтичане на батерията, което може да доведе до нараняване или повреда на устройството:
 - При поставяне на батерията, обърнете внимание на нейните полюси (+ и -)
 - Не използвайте едновременно различни батерии - стари и нови, стандартни и алкални и др.
 - Извадете батериите от устройството, ако няма да го използвате за по-дълъг период от време.

ВНИМАНИЕ

Устройството не трябва да се използва от хора (включително деца) с намалени физически, сензорни или психически способности и лица с недостатъчни познания и опит, освен ако не са под наблюдението на лице, отговорно за тяхната безопасност и не са инструктирани как безопасно да използват устройството. Необходимо е присъствие на възрастни, ако устройството се използва от деца; това ще осигури безопасно използване на устройството.

1. Не оставяйте устройството без надзор! Изключвайте устройството, когато не го използвате, дори и за кратко време.
2. Не включвайте устройството чрез външен часовник, нито чрез отделна система за дистанционно управление.
3. За да избегнете опасност при повреда на захранващия кабел, подмяната трябва да се извърши от производителя, от упълномощен сервизен център или от друго квалифицирано лице.
4. Преди да използвате уреда се уверете, че напрежението му съответства на напрежението на местното захранване.
5. За да избегнете пожар или токов удар, предпазвайте устройството от горещи места, дъжд, влага и прах.
6. Не излагайте устройството на силни магнитни полета.
7. Не поставяйте устройството директно върху усилвателя или приемника.
8. Не поставяйте устройството на влажно място, тъй като влагата има вреден ефект върху електрическите компоненти.
9. При внасяне на устройството от студено на топло или на влажно място, може да се образува конденз върху обектива вътре в плейъра. В този случай устройството няма да работи правилно. Оставете включения уред в продължение на около един час, за да може влагата да се изпари.
10. Не почиствайте устройството с химически разтворители, тъй като те могат да повредят лаковото покритие на конструкцията. Избършете устройството с чиста, суха или леко влажна кърпа.

ВНИМАНИЕ



Декларация

С настоящото Blaupunkt Competence Center 2N-Everpol Sp. z o.o. декларира, че това устройство отговаря на изискванията и други приложими разпоредби на Директива 2014/53 / на ЕС. Пълната декларация за съответствие може да бъде намерена на www.blaupunkt.com в раздела за продукти.

Отговорно лице: 2N-Everpol Sp. Z o.o.

Puławska 403A, 02-801 Warszawa, Polska

Телефон: +48 22 688 08 00, e-mail: info@everpol.pl



Продуктът е произведен от висококачествени материали и компоненти, които могат да бъдат рециклирани и повторно използвани.



Ако на вашето устройство има символ със зачеркнат контейнер за боклук, това означава, че продуктът е обхванат от разпоредбите на Европейска директива 2012/19/ЕС. Въз основа на това, моля, следвайте местните разпоредби и се запознайте с изискванията за вашата местна система за събиране на електрически и електронни отпадъци и, в случай на този продукт, спазвайте ги.

**НЕ ИЗХВЪРЛЯЙТЕ ТОЗИ ПРОДУКТ С ВАШИТЕ ДОМАКИНСКИ ОТПАДЪЦИ!
ТОЗИ ПРОДУКТ СЪДЪРЖА ОПАСНИ ВЕЩЕСТВА, СМЕСИ И КОМПОНЕНТИ, КОИТО, АКО СА
НЕРАЗРЕШЕНИ, МОГАТ ДА БЪДАТ ИЗТОЧНИК НА ПОТЕНЦИАЛНИ ЕФЕКТИ ВЪРХУ ПРИРОДНАТА
ОКОЛНА СРЕДА И ЧОВЕШКОТО ЗДРАВЕ!**

Правилното изхвърляне на използвания продукт ще предотврати отрицателните ефекти върху околната среда и човешкото здраве.



Устройството е оборудвано с батерии, които са част от европейска директива 2006/66/ЕС. Не изхвърляйте батериите заедно с битови отпадъци. Запознайте се с изискванията на местната система за събиране на батерии, тъй като правилната употреба на стария продукт ще предотврати потенциални негативни последици за околната среда и човешкото здраве.

Информация за опазване на околната среда

Пакетът съдържа само необходимите елементи. Положени са всички усилия, за да се гарантира, че трите компонента на опаковката са лесни за разделяне: картонена кутия, полистиролова пяна (вътрешна защита) и полиетилен (торбички, защитен лист).

Устройството е изработено от материали, които могат да бъдат рециклирани и повторно използвани, след като се демонтират от специализирана фирма. Спазвайте местните разпоредби за изхвърляне на опаковъчни материали, отпадъчни батерии и ненужно оборудване.

Записването и възпроизвеждането на материали може да изисква съгласие. Вижте Закона за авторските права и правата на изпълнителите/ артистите.

Забележка относно ERP2 (на устройствата, свързани с енергопотребление)

Настоящото устройство с екопроекта отговаря на изискванията на етап 2 от Регламента на Комисията (ЕО) № 1275/2008 за прилагане на Директива 2009/125 / ЕО относно консумацията на енергия от електроуреди за офиса и дома.

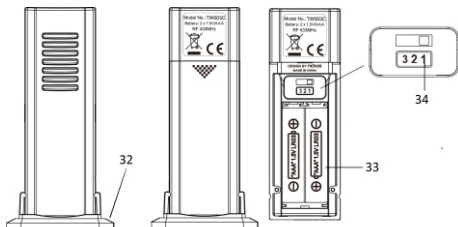
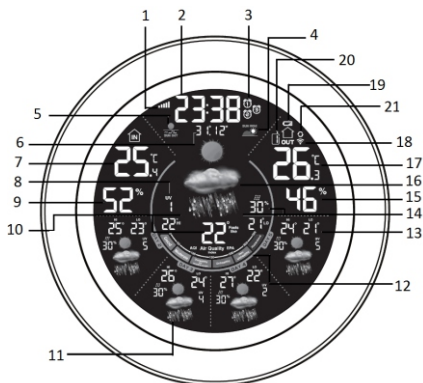
Благодарим за покупката на нашата метеорологична станция. Този модел има следните функции.

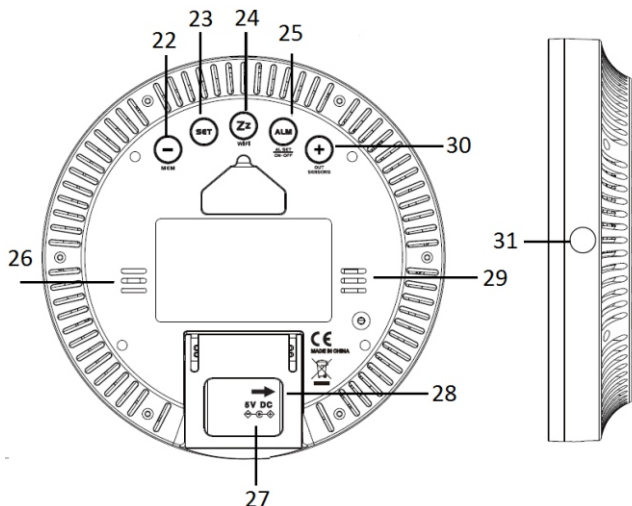
Функции

- Обслужване на приложението TUYA
- 5-дневна прогноза за времето, индекс за UV излъчване, най - ниската/най - високата температура
- Вътрешна/външна температура
- Вътрешна/външна влажност
- Вътрешна/външна влажност
- Аларма с функция за дрямка
- Обслужва максимално 3 външни безжични сензора, излъчващи сигнал по различни канали (1 сензор е включен в комплекта)
- Индикатор за топлинен комфорт в помещението
- Барометър

Моля, прочетете внимателно тази инструкция и се запознайте с нея преди да пуснете устройството. Моля, съхранете инструкцията за използване в бъдещето.

Дисплей и управляващи елементи






- 1- Икона за Wi-Fi сигнал 2- Часовник 3- Аларма 1/2/3 4- Икона на изгрев на слънцето
 5- Икона на залез на слънцето 6- Календар 7- Вътрешна температура 8- UV индекс
 9- Вътрешна влажност
 10- Усещана температура и индекс PM2.5 (показвани последователно на дисплея)
 11- Прогноза за времето 12- Индекс на качеството на въздуха
 13- Най-ниска и най-висока стойност на температурата 14- Дъждове
 15- Външна влажност 16- Прогноза за времето 17- Външна температура
 18- Икона на сигнала на външен безжичен сензор
 19- Индикатор за изтощена батерия за безжичния сензор. (Ако се появи тази икона, трябва да смените батерията на външния сензор с нова).
 20- Номер на външен безжичен сензор
 21- Активирана е функцията за автоматично превъртане на показанията
 22- Бутон за памет MEM и "-" 23- Бутон за настройки SET
 24- Бутон за дрямка и за Wi-Fi сигнал
 25- Бутон за настройка, активиране и деактивиране на алармата ALM
 26- Вентилационни отвори 27- Гнездо за захранване DC - IN
 28- Сгъваема стойка 29- Вентилационни отвори
 30- Бутон "+" и смяна на каналите на външните сензори
 31- Прозорец на сензора за автоматична подсветка 32- Закачалка
 33- Отделение за батерията на безжичния сензор
 34- Превключвател за номера на канала на външния сензор

Свързване на електрическото захранване


Свържете доставения адаптер AC/DC към домашен контакт за променлив ток, за да получите източник на захранване, свържете DC конектора на адаптера към DC контакт за захранване от страни на задния панел, прокарайте захранващия кабел през централния отвор на съгъваемата стойка. Дисплеят ще светне и устройството ще бъде готово за работа. Отворете капака на отделението за батерии на външния безжичен сензор и поставете 2 батерии AAA (не са приложени в комплекта), като спазвате правилния поляритет, показан в отделението. Препоръчваме ви да използвате висококачествени алкални батерии, за да получите най-добрата производителност на продукта. Не се препоръчват батерии с висока издръжливост или акумулаторни батерии.

Приемане на сигнал от външния безжичен сензор

Когато захранването е правилно присъединено, метеорологичната станция автоматично открива и приема сигнал от измерване на външната температура и влажност от външния безжичен сензор. Търсенето на сигнала ще отнеме максимум 3 минути. По време на търсенето индикаторът за приемане на сигнал от безжичния сензор  (близо до иконата за номер на канала на външния сензор) ще мига и ще се стабилизира след успешно приемане на сигнала. Ако станцията не приеме сигнал от външния сензор, индикаторът за приемане на сигнала ще изчезне след 3 минути и на дисплея вместо данните за външната температура и влажност ще се покаже следният символ: „-“. Ако има нужда отново да свържете сензора, натиснете и задръжте за 3 секунди бутона за избор на канал на външен сензор (30) на задната страна на главното устройство. Устройството ще сканира отново и ще приема сигнал от един или повече от наличните сензори, един след друг.

Поставяне на устройството и други забележки

1. Важно: Метеостанцията може да се свърже и да работи максимално с 3 външни сензора (само един сензор е включен в комплекта). Ако имате 2 или 3 безжични сензора, те трябва да бъдат настроени на различни канали за предаване, така че всичките да работят едновременно. За да проверите и промените канала (на разположение са 3 канала), отворете гнездото за батерии на безжичния сензор и използвайте бутона CH, за да настроите сензора на съответния канал. Кратко натиснете бутона за избор на канала (CH) по страничния панел на метеорологичната станция, за да проверите и превключите данните от всичките чифтосани безжични външни сензори.

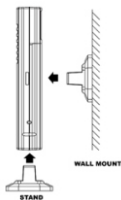
С кратко натискане на бутона за канала на външните сензори (30) на задния панел могат да се проверяват и превключват данни от различни външни безжични сензори. Натиснете този бутон многократно, докато се появи иконата "  ", за да се покажат редуващи се данни за температурата и влажността от всички свързани сензори. Натиснете отново бутона, за да отмените функцията.

2. Моля, поставете и използвайте метеорологичната станция и външния сензор на разстояние от 1.5~2 метра от източници на смущения, като например компютърни дисплеи или телевизори. Метеостанцията също трябва да бъде поставена далече от прозорци с метални рамки.

3. Не използвайте други електронни продукти, като например слушалки или високоговорители, работещи със същата честота на сигнала (433 MHz), тъй като те могат да причиняват смущения. Помнете, че ако съседите ви използват електронни устройства, работещи със същата честота на сигнала (433 MHz), те също могат да причинят смущения в правилната работа.

4. За да осигурите точно измерване на вътрешната температура, поставете метеорологичната станция на сухо място, без замърсявания и прах. Изберете място далече от пряко въздействие на слънчевата светлина и други източници на топлина, както и далече от вентилационни отвори.

5. Безжичният сензор може да бъде инсталиран на открито. За възможно най - добрата точност на измерването поставете сензора във вертикално положение, най - малко на височина от 1,5 ~ 2 метра от земята, на място, защитено от дъжд и с добра циркулация на въздуха. Не излагайте сензора на пряко въздействие на слънчевата светлина за продължително време.
6. Максималното работно разстояние на безжичния сензор е 50 метра от метеорологичната станция, без препятствия между тях.
7. Сигналът от безжичния сензор се изпраща до станцията на всеки 114 секунди (канал 1), 134 секунди (канал 2), 158 секунди (канал 3).
8. Можете да разположите сензора вертикално или да го монтирате на стената, както е показано по-долу.




Инсталиране на приложението Tuuya и конфигуриране

Важно: Преди да започнете да изтеглите приложението TUYA и да свързвате устройството си с Wi - Fi мрежа, уверете се, че смартфонът ви е свързан с 2.4G Wi - Fi мрежа или 2.4/5G хибридна мрежа и включете Bluetooth. Устройството не обслужва 5GHz мрежа.

Интелигентно приложение Tuuya: Използвайте смартфона си, за да сканирате QR кода по-долу и да изтеглите приложението „Tuuya smart“ (в зависимост от IOS или Android) на устройството си. Можете също да потърсите приложението Tuuya smart в магазина на Apple или Google Play, за да го изтеглите. След това стартирайте приложението на устройството си, проверете и маркирайте съответните разрешения, регистрирайте се или влезте в профила си, както е указано на екрана на смартфона.



Сдвояване и конфигуриране на Wi-Fi мрежа: Включете метеорологичната станция, натиснете и задръжте за 3 секунди горния бутон за Wi-Fi (24) на задния панел и влезте в режим за чифтосане. Мрежовият символ  ще започне да мига на дисплея. Отворете приложението Tuuya smart на устройството си, докоснете се до „Добавяне на устройство“ (снимка А) и потърсете устройството в приложението (може да поиска достъп до местоположението, моля, приемоте), проверете списъка за откриване на устройствата и докоснете се до „Добавяне“ (вижте снимка Б), изберете името на домашната си Wi - Fi мрежа и въведете паролата, както е поискано. Метеостанцията ще се чифтоса с приложението, след което натиснете бутона "Готово" (вижте снимка Д и Е). Приложението ще стартира

конфигурацията и ще изпрати на дисплея на метеорологичната станция местната 5 - дневна прогноза за времето/данните за UV индекса/температурата и др.

Ако е необходимо, натиснете и задръжте бутона Wi-Fi, за да ресетнете Wi-Fi връзката между приложението и устройството, след което следвайте инструкциите по-горе, за да възстановите връзката.

Експлоатация на метеорологичната станция чрез приложението TUYA

Аларма/дрямка: Можете да зададете 3 аларми в приложението. Алармата се задейства посредством звуков сигнал в определено време. Краткото натискане на който и да е бутон може да анулира звука на алармата и алармата ще се включи на следващия ден по същото време.

При кратко натискане на бутона за дрямка (24) устройството преминава в режим дрямка. Алармата ще прозвучи, когато изтече зададеното време за дрямка. Звукът на алармата ще продължава 5 минути и ако няма никакви по-нататъшни действия, ще се изключи автоматично.

Други От нивото на приложението (чрез натискане на съответния бутон в долната част на екрана) можете също да настроите аларма за превишаване на граничната стойност на вътрешната и външната температура, да получите крива на диаграмата за температура/вътрешна и външна влажност и да изберете температурна единица (градуси по Целзий) или Фаренхайт (градуси по Фаренхайт). Ако настроите и активирате алармата за превишаване на гранична температура, ако измерената температура надвишава зададената граница, устройството ще излъчва предупредителен сигнал. Кратко натиснете горния бутон за дрямка, за да отмените този сигнал, но данните за температурата ще мигат на дисплея, докато измерената температура спре да надвишава зададените граници.

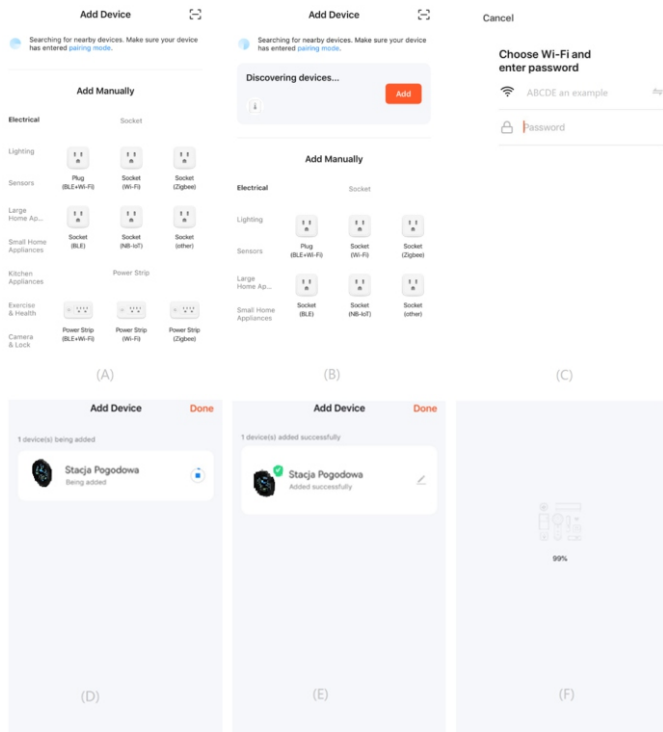
Забележка:

- a. Както метеорологичната станция, така и смартфонът с инсталираното приложение трябва да бъдат свързани с една и съща Wi - Fi мрежа.
- b. Ако извадите смартфона си от обхвата на Wi - Fi мрежа, метеорологичната станция може да се свърже и да работи директно с вашата Wi - Fi мрежа.
- v. Ако промените Wi - Fi мрежата или паролата си за Wi - Fi, чифтосайте метеорологичната станция с помощта на смартфона си отново. Можете първо да премахнете устройството от приложението Tuuya, след което да го чифтосате отново по същия начин, както е описано по-горе в тази инструкция.
- г. Ако загубите или получите непълна информация за прогнозата за времето на дисплея, опитайте се да отворите приложението Tuuya, да освежите и да свържете отново метеорологичната станция в приложението.
- e. Можете да преименувате устройството, като докоснете иконата на молив (обикновено до името на устройството) в приложението.
- f. Метеорологичната станция обслужва и приложението Smart Life. Можете да отидете в магазин Apple Store или Google Play и да потърсите приложението Smart Life-Smart Living, за да го изтеглите. Свързването с приложението е подобно на това с приложението TUYA.

ЗАБЕЛЕЖКА

Когато метеорологичната станция е работила известно време, изключването на захранването и бързото му повторно включване ще доведе до отчитане на по-високи стойности на температурата и по-ниски стойности на влажността (поради остатъчната топлина в устройството). Достатъчно е да оставите метеорологичната станция включена за още 15-30 минути и показанията за температурата и влажността отново ще станат стабилни и точни.

Включването на климатик или електрически вентилатор по посока към метеорологичната станция може да доведе до леко понижаване на показаниято за стайна температура.



Ръчни настройки на системата: натиснете и задръжте бутон set (23), докато цифрата на часа започне да мига на дисплея, натиснете бутон + или -, за да настроите часа, натиснете за кратко бутон set, за да преминете към настройката на минутите, използвайте същата операция като настройката на часа, за да завършите останалите настройки за минутите/формата на часовника-12 и 24 часа/година/месец/дата/формат на месеца и датата/единицата за температура/усещаната температура или PM2.5/единица налягане на въздуха/сензор за светлина (вкл./изкл.)/време за дрямка (5~60 минути). Натиснете и задръжте бутон + или -, за да ускорите настройката. Натиснете бутон на алармата, за да завършите и да излезете от настройките. Ако оставите устройството без никаква операция за 10 секунди, процедурата за настройка ще бъде прекратена.



Ръчна настройка на алармата: натиснете и задръжете бутона за алармата (25), докато на дисплея започне да мига иконата на алармата 1 и цифрата на часа, натиснете бутона + или -, за да зададете времето на алармата. Натиснете отново бутона за аларма, за да преминете към настройката за минутите на алармата. Използвайте същата операция, както при настройката на часа на алармата, за да завършите останалите настройки на минутите на алармата/режима на алармата (по дата (1-7) и дни от седмицата (1-5) и уикенда (6-7)); след това продължете с настройката на аларма 2/аларма 3, което се извършва по същия начин като настройката на аларма 1. Натиснете и задръжете бутон + или -, за да ускорите настройката. Натиснете бутона на алармата, за да завършите и да излезете от настройките. Натиснете за кратко бутона за аларма, за да активирате аларма 1; натиснете бутона за алармата многократно, за да включите или изключите другите аларми, а на дисплея ще се появи съответната икона на алармата. Уверете се, че иконата на алармата се появява на дисплея, когато тя е активирана, в противен случай функцията за аларма няма да работи.

Събуждане и дрямка: Когато настъпи зададеното време за аларма, метеорологичната станция ще издаде звуков сигнал. Съответната икона на алармата ще започне да мига на дисплея. Натиснете бутона за аларма, за да изключите звука на алармата и тя ще се включи по същото време на следващия ден. Натиснете бутона за дрямка, за да отмените временно звука на алармата, алармата ще се включи отново според зададеното време за дрямка. Продължителността на звука на алармата е 5 минути и се изключва автоматично, ако не бъдат предприети допълнителни действия.

Автоматичен сензор за светлина: Метеорологичната станция е оборудвана с автоматичен сензор за светлина. Яркостта на дисплея се регулира автоматично в зависимост от условията на осветление в помещението. Регулиране на подсветката на дисплея: Когато сензорът за светлина е настроен на изключен. Натиснете бутона за дрямка, за да изберете яркостта на дисплея на HI (висока), MED (средна) или LO (ниска).

Време на изгрев и залез: в режим на показване на времето натиснете бутона за настройка (23), за да проверите времето на изгрев, и го натиснете отново, за да проверите времето на залез. Натиснете бутона за настройка 3 пъти, за да превключите между часовете на изгрев и залез. Натиснете отново бутона за настройка, за да се върнете в стандартен режим.

Индикатор за прогноза за времето

				
Слънчево	Частична облачност	Облачно	Дъждовно	Буря
				
Вятър	Мъгла	Замъгляване	Мраз	

Индекс за качество на въздуха (AQI/EPA)

Качество на въздуха	Показател за качеството на въздуха	Кой трябва да бъде загрижен?
Добро	0-50	Денят е чудесен за дейности на открито.
Умерено	51-100	Някои хора може да са изключително чувствителни към замърсяване с частици. Уязвими групи: Помислете за ограничаване на продължителните или тежки упражнения. Всички останали: Денят е подходящ за прекарване на време на открито.
Нездравословно за чувствителни хора	101-150	Уязвимите групи включват хора със сърдечни или белодробни заболявания, възрастни хора, деца и юноши. Уязвими групи: продължителното или тежко физическо натоварване трябва да се ограничи.
Нездравословно	151-200	Уязвими групи: Трябва да се избягва продължително или тежко натоварване. Всички останали: Намалете продължителното или тежко натоварване. Правете повече почивки по време на всички дейности на открито.
Много нездравословно	201-300	Уязвими групи: трябва да се избягва всякаква физическа активност на открито. Всички останали: избягвайте продължително или тежко натоварване.
Опасно	301-500	Уязвими групи: останете си вкъщи и поддържайте ниски нива на физическа активност. Всички: Избягвайте всякаква физическа активност на открито.

Отчитане на максималните и минималните температури и влажността на въздуха вътре и навън: В режим на показване на времето натиснете веднъж бутона "-" (22), за да покажете максималното показание на температурата вътре и навън и запис за влажност, като на дисплея се появяват иконите "MAX". Натиснете отново бутона "-", за да се покажат минималните стойности на вътрешната и външната температура и влажността, като на дисплея се появяват икони "MIN".

Когато се показват максималните или минималните стойности, натиснете и задръжте бутона -, за да нулирате двата записа (минимален и максимален) и устройството ще започне да записва отново максималните и минималните стойности.

Решаване на проблеми

Липса на информация на дисплея	<ul style="list-style-type: none"> ❖ Проверете дали захранването AC/DC е правилно присъединено към устройството
Температурата/влажността от външния сензор не се показва.	<ul style="list-style-type: none"> ❖ Проверете дали разстоянието между станцията и сензора не надвишава 30 m (препоръчително) ❖ Уверете се, че станцията и сензорът се намират на разстояние най - малко 2 m от мониторите и телевизорите. ❖ Избягвайте поставяне на устройствата върху или близо до метални рами на прозорци. ❖ Избягвайте да използвате станцията близо до електронни устройства, като, например, високоговорители, които работят с една и съща честота (433 MHz). ❖ Моля, проверете внимателно дали предоставените 3 безжични сензора са настроени за различни канали. ❖ Извадете батериите, изчакайте малко и след това ги поставете отново.
Няма информация за прогноза за времето на дисплея	<ul style="list-style-type: none"> ❖ Опитайте се да освежите връзката между метеорологичната станция и приложението TuYa. ❖ Опитайте се да свържете отново метеорологичната станция с приложението TuYa.

Технически данни**Температурен диапазон:**

Вътре: -10°C/14°F-50°C/122°F (дисплеят показва НН.Н / LL.L, ако показанието е извън този диапазон)

Навън: -40°C/-40°F-60°C/140°F (дисплеят показва НН.Н / LL.L, ако показанието е извън този диапазон)

Диапазон на влажност

Вътре: 1%-99% (на дисплея се показва НН.Н / LL.L, ако показанието е извън този диапазон)

Навън: 1%-99% (на дисплея се показва НН.Н / LL.L, ако показанието е извън този диапазон)

Разделителна способност на температурата: 0,2°F / 0,1°C

Точност на отчитане на вътрешната температура: +/- 1°C

Точност на отчитане на външната температура: +/- 1°C

Резолюция на RH%: 1%

Точност на отчитане на вътрешната влажност и точност на отчитане на външната влажност:

30% ~ 70% ±5%

Извън тези диапазони: 7%

Формат на времето: 24 часа

Време: 0:00

Аларми 1, 2 и 3: 6:00 сутрин

Продължителност на алармата: 5 минути

Продължителност на дрямката: 5 минути

Календар: Дата-Месец / Месец-дата

Формат на времето: 12 / 24 часа

Температура: °C/°F

Налягане на въздуха: hPa / inHg

PM 2,5: 0 - 999 ug/m³

Честота на трансмисия: 433 Mhz

Обхват на предаване: 50 м (открито пространство)

(Забележка: спецификацията на продукта може да бъде променена без предизвестие).

Σημαντικές πληροφορίες

- Πρέπει να κρατήσετε τις οδηγίες χρήσης και τις πληροφορίες σχετικά με την ασφάλεια με σκοπό τη μελλοντική χρήση τους.
- Δεν επιτρέψτε κανένα υγρό να μπάξει ή να χυθεί στη συσκευή.
- Δεν επιτρέπεται να χρησιμοποιήσετε τη συσκευή σε μέρη με υγρασία όπως π.χ. μπάνιο.
- Δεν επιτρέπεται να εγκαταστήσετε αυτή τη συσκευή στα ακόλουθα μέρη:
- Μέρη εκθειωμένα στην άμεση ακτινοβολία ή κοντά σε θερμάστρες.
- Μην τοποθετείτε πάνω στη συσκευή άλλο εξοπλισμό στερεό που εκπέμπει θερμότητα.
- Όπου μπλοκάρεται ο εξαερισμός ή σε μέρος με σκόνη.
- Σε μέρη εκθειωμένα σε συνεχείς δονήσεις.
- Σε μέρη με μεγάλη υγρασία.
- Δεν επιτρέπεται να τοποθετήσετε τη συσκευή δίπλα σε κεριά και ανοιχτή φλόγα.
- Μπορείτε να χρησιμοποιήσετε τη συσκευή με τον τρόπο που περιγράφεται στις παρούσες οδηγίες χρήσης.
- Πριν από την πρώτη ενεργοποίηση, πρέπει να βεβαιωθείτε ότι το τροφοδοτικό είναι κατάλληλα συνδεδεμένο.

Για λόγους ασφαλείας δεν επιτρέπεται να αποσυναρμολογήσετε το περίβλημα ούτε να έχετε πρόσβαση στο μέσο της συσκευής. Η συσκευή πρέπει να επισκευαστεί από το εξειδικευμένο προσωπικό του σέρβις.

Δεν επιτρέπεται να ξεβιδώσετε τη συσκευή ούτε να ανοίξετε το περίβλημά της, γιατί μέσα δεν υπάρχουν εξαρτήματα που μπορεί να επισκευαστούν από τον χρήστη. Η συντήρηση και η επισκευή του εξοπλισμού εκτελείται αποκλειστικά από τους εξουσιοδοτημένους υπάλληλους σέρβις.

ΣΗΜΑΝΤΙΚΕΣ ΠΛΗΡΟΦΟΡΙΕΣ ΣΧΕΤΙΚΑ ΜΕ ΤΗΝ ΑΣΦΑΛΕΙΑ

1. Διαβάστε τις οδηγίες χρήσης – πριν χρησιμοποιήσετε τη συσκευή πρέπει να διαβάσετε όλες τις οδηγίες χρήσης και τις πληροφορίες για την ασφάλεια.
2. Φυλάξτε τις οδηγίες χρήσης – πρέπει να φυλάξετε τις οδηγίες χρήσης και χειρισμού με σκοπό να τις χρησιμοποιήσετε στο μέλλον.
3. Κολοιθήστε τις προειδοποιήσεις – πρέπει να ακολουθήσετε όλες τις προειδοποιήσεις που είναι τοποθετημένες πάνω στη συσκευή και να ακολουθήσετε τις οδηγίες χρήσης.
4. Ακολουθήστε τις οδηγίες χρήσης – πρέπει να ακολουθήσετε τις οδηγίες χρήσης και τις συμβουλές για τον χρήστη.
5. Εγκατάσταση – πρέπει να τοποθετήσετε τη συσκευή σύμφωνα με τις οδηγίες του κατασκευαστή.
6. Πηγή τροφοδοσίας – η συσκευή πρέπει να τροφοδοτηθεί αποκλειστικά από τις πηγές με τις παραμέτρους που αναφέρονται στις επισημάνσεις του καλωδίου τροφοδοσίας. Αν ο χρήστης δεν είναι σίγουρος ποιανού τύπου τροφοδοσία έχει στο σπίτι του, πρέπει να επικοινωνήσει με τον πωλητή της συσκευής ή τον τοπικό προμηθευτή ηλεκτρικής ενέργειας.
7. Νερό και υγρασία – για να μειώσετε τον κίνδυνο πυρκαγιάς ή ηλεκτροπληξίας, δεν επιτρέπεται να εκθέτετε τη συσκευή στην άμεση επίδραση βροχής, νερού και υγρασίας όπως π.χ. στη σάουνα ή το μπάνιο. Μην χρησιμοποιείτε την παρούσα συσκευή δίπλα σε νερό, π.χ. δίπλα σε μια μπανιέρα, νιπτήρα, νεροχύτη κουζίνας ή σκάφη, σε ένα υπόγειο με υγρασία ή δίπλα σε πισίνα (ή σε παρόμοιους τόπους).
8. Αντικείμενα και υγρά μέσα στη συσκευή – δεν επιτρέπεται να πιέσετε οποιοδήποτε αντικείμενο μέσα από τα ανοίγματα της συσκευής, γιατί αυτά μπορεί να έχουν επαφή με τα σημεία της επικίνδυνης ηλεκτρικής τάσης και τα υποσυστήματα και αυτό μπορεί να προκαλέσει πυρκαγιά. Σε καμία περίπτωση μη χύσετε οποιοδήποτε υγρό δίπλα στη συσκευή. Δεν επιτρέπεται να βάζετε πάνω στη συσκευή τα αντικείμενα που περιέχουν υγρά.

9. Σέρβις – μην δοκιμάσετε να εκτελέσετε επιθεωρήσεις της συσκευής μόνοι σας. Το να ανοίξετε το κάλυμμα μπορεί να προκαλέσει επαφή με επικίνδυνη ηλεκτρική τάση και να εκτεθεί ο χρήστης σε άλλου κινδύνους. Η συντήρηση και η επισκευή του εξοπλισμού εκτελείται αποκλειστικά από τους εξουσιοδοτημένους υπάλληλους σέρβις.

10. Ανταλλακτικά – όταν αντικαθιστάτε εξαρτήματα πρέπει να ελέγχετε αν ο υπάλληλος του σέρβις έχει χρησιμοποιήσει τα ανταλλακτικά που προτείνονται από τον κατασκευαστή ή τα εξαρτήματα είναι ίδια όπως τα γνήσια εξαρτήματα. Η αντικατάσταση εξαρτημάτων με μην εγκεκριμένα προκαλεί κίνδυνο πυρκαγιάς, ηλεκτροπληξίας και άλλους κινδύνους.

11. Η μέγιστη θερμοκρασία περιβάλλοντος πρέπει είναι 35°C.

12. Οδηγίες σχετικά με τις ηλεκτροστατικές εκκινήσεις - αν η λειτουργία της συσκευής διαταράσσεται με τις ηλεκτροστατικές εκκινήσεις, πρέπει να την απενεργοποιήσετε και να την ενεργοποιήσετε ξανά ή να μεταφέρετε τη συσκευή σε άλλο τόπο.

13. Μπαταρία

a. Δεν επιτρέπεται να εκθέτετε τις μπαταρίες στη δράση υπερβολικής ζέστης όπως π.χ. ηλιακή ακτινοβολία.

b. Κατά τη διάθεση των μπαταριών, πρέπει να δώσετε σημασία στις παραμέτρους της προστασίας του περιβάλλοντος.

c. Προειδοποίηση σχετικά με χρήση των μπαταριών: για να μην επιτρέψετε αποσφράγιση των μπαταριών που μπορεί να προκαλέσει τραύματα ή να χαλάσει τη συσκευή:

- Όταν βάζετε τη μπαταρία δώστε σημασία στην πόλωση της (+ και -).
- Δεν επιτρέπεται να χρησιμοποιήσετε ταυτόχρονα διαφορετικές μπαταρίες - καινούργιες και μεταχειρισμένες, τις μπαταρίες σπάνταρ και αλκαλικές κλπ.
- Πρέπει να βγάλετε τις μπαταρίες από τη συσκευή δεν τη χρησιμοποιείτε πολλή ώρα.

ΠΡΟΕΙΔΟΠΟΙΗΣΗ

Η συσκευή δεν επιτρέπεται να χρησιμοποιηθεί από πρόσωπα (συμπεριλαμβανόμενων των παιδιών) με μειωμένη φυσική και αισθητηριακή ικανότητα και τα πρόσωπα με ανεπαρκή γνώση και εμπειρία, αν δεν είναι υπό την εποπτεία του προσώπου που είναι υπεύθυνο για την ασφάλειά τους και δεν έχουν εκπαιδευθεί πως να χρησιμοποιούν τη συσκευή με ασφαλή τρόπο. Η παρουσία των ενηλίκων απαιτείται όταν τα παιδιά χειρίζονται τη συσκευή- έτσι θα διασφαλίσετε την ασφαλή χρήση της συσκευής.

1. Δεν επιτρέπεται να αφήνετε τη συσκευή όταν λειτουργεί χωρίς καμία εποπτεία! Πρέπει να απενεργοποιείτε τη συσκευή όταν δεν τη χρησιμοποιείτε, ακόμη για ένα σύντομο διάστημα.

2. Δεν επιτρέπεται να μεταχειρίζεστε τη συσκευή μέσα από ένα εξωτερικό ρολόι με χρονικό σύστημα ούτε με ξεχωριστό σύστημα τηλεχειρισμού.

3. Για να αποφύγετε κίνδυνο σε περίπτωση βλάβης του καλωδίου τροφοδοσίας, η αντικατάστασή του πρέπει να εκτελείται από τον κατασκευαστή, την εξουσιοδοτημένη υπηρεσία σέρβις ή άλλο πρόσωπο που διαθέτει τα κατάλληλα προσόντα.

4. Πριν αρχίσετε να χειρίζεστε τη συσκευή, πρέπει να ελέγξετε αν η τάση της είναι συμβατή με την τάση του τοπικού ηλεκτρικού δικτύου.

5. Για να αποφύγετε πυρκαγιά ή ηλεκτροπληξία, πρέπει να προστατεύετε τη συσκευή από ζεστούς τόπους, τη δράση της βροχής, της υγρασίας και της σκόνης.

6. Δεν επιτρέπεται να εκθέτετε τη συσκευή σε ισχυρό μαγνητικό πεδίο.

7. Δεν επιτρέπεται να βάζετε τη συσκευή αμέσως στον ενισχυτή, δέκτη ή διακόπτη.

8. Δεν επιτρέπεται να βάζετε τη συσκευή σε ένα μέρος με υγρασία, γιατί η υγρασία έχει αρνητική επίδραση στα ηλεκτρικά συστήματα.

9. Μετά από μεταφορά της συσκευής από κρύο σε ζεστό τόπο ή σε τόπο με υγρασία, μπορεί να προκληθεί υγρασία της συσκευής πάνω στον φακό μέσα στη συσκευή αναπαραγωγής. Σε μια τέτοια περίπτωση η συσκευή δεν θα λειτουργήσει σωστά. Πρέπει να αφήσετε τη συσκευή απενεργοποιημένη για περίπου μια ώρα, για να επιτρέψετε την εξάτμιση της υγρασίας.

10. Δεν επιτρέπεται να καθαρίζετε τη συσκευή με χημικούς διαλύτες, γιατί μπορεί να χαλάσουν το βερνίκι του περιβλήματος. Σκουπίζετε τη συσκευή με ένα καθαρό, στεγνό ή λίγο μουςκεμένο πανί.

ΠΡΟΣΟΧΗ



Δήλωση

Δια του παρόντος η εταιρεία Blaupunkt Competence Center 2N-Everpol Sp. z o.o. δηλώνει ότι η παρούσα συσκευή είναι συμβατή με τις προϋποθέσεις και τις λοιπές σχετικές προβλέψεις της

οδηγίας 2014/53 / ΕΕ. Μπορείτε να λάβετε την πλήρη δήλωση συμβατότητας από την ιστοσελίδα www.blaupunkt.com στην καρτέλα του προϊόντος.
 Κάτοχος άδειας κυκλοφορίας: 2N-Everpol Sp. Z o.o.
 Puławska 403A, 02-801 Warszawa, Πολωνία
 Τηλέφωνο: +48 22 688 08 00, e-mail: info@everpol.pl



Το προϊόν κατασκευάστηκε από υλικά υψηλής ποιότητας και τα συστήματα, τα οποία μπορούν να ανακυκλωθούν και να χρησιμοποιηθούν ξανά.



Εάν υπάρχει σύμβολο διαγραμμένου κάδου απορριμμάτων στη συσκευή σας, σημαίνει ότι το προϊόν καλύπτεται από τις διατάξεις της Ευρωπαϊκής Οδηγίας 2012/19/ΕΕ. Με βάση αυτό, ακολουθήστε τους τοπικούς κανονισμούς και εξοικειωθείτε με τις απαιτήσεις για το τοπικό ηλεκτρικό και ηλεκτρονικό σύστημα συλλογής απορριμμάτων και, στην περίπτωση αυτού του προϊόντος, συμμορφωθείτε με αυτές.

ΜΗΝ ΑΠΟΡΡΙΠΤΕ ΑΥΤΟ ΤΟ ΠΡΟΪΟΝ ΜΕ ΤΑ ΟΙΚΙΑΚΙΑ ΣΑΣ ΑΠΟΒΛΗΤΑ!

ΑΥΤΟ ΤΟ ΠΡΟΪΟΝ ΠΕΡΙΕΧΕΙ ΕΠΙΚΙΝΔΥΝΕΣ ΟΥΣΙΕΣ, ΜΙΓΜΑΤΑ ΚΑΙ ΣΥΣΤΑΤΙΚΑ ΤΑ ΟΠΟΙΑ, ΕΑΝ ΜΗ ΕΓΚΕΚΡΙΜΕΝΟ, ΜΠΟΡΕΙ ΝΑ ΕΙΝΑΙ ΠΗΓΗ ΠΙΘΑΝΩΝ ΕΠΙΔΡΑΣΕΩΝ ΣΤΟ ΦΥΣΙΚΟ ΠΕΡΙΒΑΛΛΟΝ ΚΑΙ ΣΤΗΝ ΥΓΕΙΑ ΤΩ ΑΝΘΡΩΠΟΥ!

Η σωστή απόρριψη του χρησιμοποιημένου προϊόντος θα αποτρέψει αρνητικές επιπτώσεις στο περιβάλλον και την ανθρώπινη υγεία.



Η συσκευή είναι εξοπλισμένη με μπαταρίες οι οποίες ορίζονται με την ευρωπαϊκή οδηγία 2006/66/ΕΚ. Δεν επιτρέπεται να απορρίπτετε τις μπαταρίες μαζί με τα οικιακά απορρίμματα. Πρέπει να εξοικειωθείτε με τους τοπικούς κανονισμούς για την ξεχωριστή συγκέντρωση των μπαταριών, διότι η κατάλληλη διάθεση προστατεύει από πιθανά αρνητικά αποτελέσματά της για το φυσικό περιβάλλον και την ανθρώπινη ζωή.

Πληροφορίες για την προστασία του περιβάλλοντος

Η συσκευασία περιέχει μόνο τα απαραίτητα στοιχεία. Έχει καταβληθεί κάθε δυνατή προσπάθεια ώστε τα τρία συστατικά της συσκευασίας να διαχωριστούν εύκολα: χαρτί (κουτί), αφρός πολυστερίνης (προστατευτικά μέσα στη συσκευασία) και πολυαιθυλένιο (σακούλες, προστατευτικό φύλλο). Η συσκευή κατασκευάστηκε από υλικά τα οποία μπορούν να ανακυκλωθούν και να χρησιμοποιηθούν ξανά μετά την αποσυρμολόγησή τους. Πρέπει να ακολουθήσετε τους τοπικούς κανονισμούς σχετικά με τη διάθεση των υλικών συσκευασίας, των μεταχειρισμένων μπαταριών και των περιττών συσκευών.

Η εγγραφή και αναπαραγωγή υλικού μπορεί να απαιτήσει σχετική άδεια. Βλέπε το περί πνευματικών δικαιωμάτων και των δικαιωμάτων/δημιουργών/καλλιτεχνών νόμο.

Παρατήρηση σχετικά με τις ERP2 (Συσκευές σχετικά με την ενέργεια)

Η παρούσα συσκευή είναι οικολογικού σχεδιασμού και πληροί τις απαιτήσεις της φάσης 2 του Κανονισμού (ΕΚ) αριθ. 1275/2008 της Επιτροπής περί εφαρμογής της οδηγίας 2009/125/ΕΚ σχετικά με την κατανάλωση ενέργειας σε κατάσταση απενεργοποίησης και αναμονής του ηλεκτρικού και ηλεκτρονικού εξοπλισμού γραφείου και οικιακού εξοπλισμού.

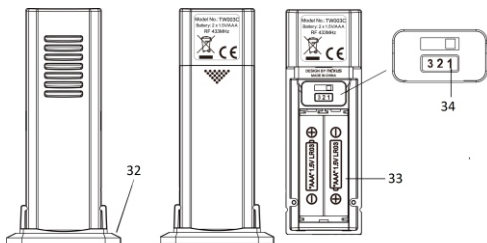
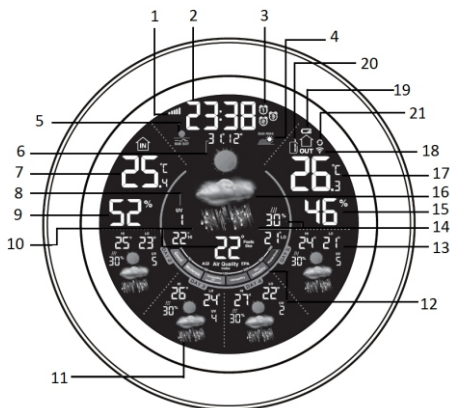
Σας ευχαριστούμε που αγοράσατε τον μετεωρολογικό μας σταθμό. Αυτό το μοντέλο έχει τα ακόλουθα χαρακτηριστικά.

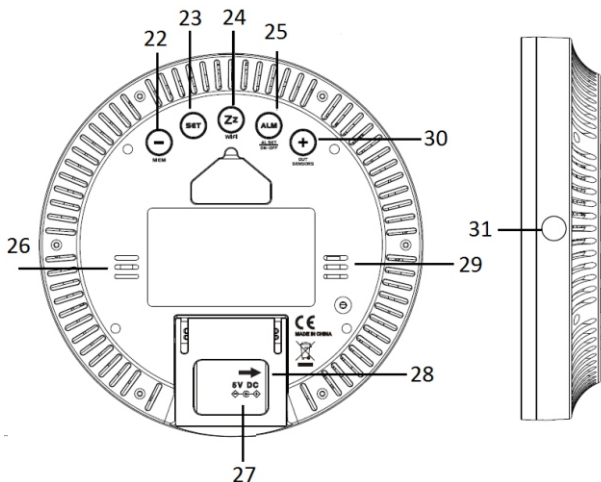
Λειτουργίες

- Υποστήριξη για την εφαρμογή TUYA
- Πρόγνωση καιρού 5 ημερών, δείκτης UV, ελάχιστη/μέγιστη θερμοκρασία
- Εσωτερική/εξωτερική θερμοκρασία
- Υγρασία εσωτερικού/εξωτερικού χώρου
- Συναγερμός με λειτουργία αδράνειας
- Υποστηρίζει έως 3 εξωτερικούς ασύρματους αισθητήρες που εκπέμπουν σήμα σε διαφορετικά κανάλια (περιλαμβάνεται 1 αισθητήρας)
- Δείκτης θερμικής άνεσης στο δωμάτιο
- Βαρόμετρο

Διαβάστε προσεκτικά αυτές τις οδηγίες χρήσης και πριν ξεκινήσετε τη συσκευή. Κρατήστε αυτές τις οδηγίες χρήσης για μελλοντική αναφορά.

Οθόνη και χειριστήρια






- 1- Εικονίδιο σήματος Wi-Fi 2- Ρολόι 3- Συναγερμός 1/2/3 4- Εικονίδιο ανατολής
 5- Εικονίδιο ηλιοβασιλέματος 6- Ημερολόγιο 7- Θερμοκρασία εσωτερικού χώρου
 8- Δείκτης UV 9- Υγρασία εσωτερικού χώρου
 10- Αισθητή θερμοκρασία και δείκτης PM2.5 (εμφανίζονται εναλλάξ στην οθόνη)
 11- Πρόγνωση καιρού 12- Δείκτης ποιότητας του αέρα
 13- Χαμηλότερη και υψηλότερη τιμή θερμοκρασίας 14- Βροχόπτωση 15- Εξωτερική υγρασία
 16- Πρόγνωση καιρού 17- Εξωτερική θερμοκρασία
 18- Εικονίδιο σήματος για εξωτερικό ασύρματο αισθητήρα
 19- Ένδειξη χαμηλής μπαταρίας για τον ασύρματο αισθητήρα. (Εάν εμφανιστεί αυτό το εικονίδιο, αντικαταστήστε την μπαταρία του εξωτερικού αισθητήρα με μια καινούργια).
 20- Αριθμός εξωτερικού ασύρματου αισθητήρα
 21- Εικονίδιο ενεργοποίησης της λειτουργίας αυτόματης κύλισης ενδείξεων
 22- Κουμπί μνήμης "MEM και «-» 23- Κουμπί ρυθμίσεων SET
 24- Κουμπί υπνάκου και σήματος Wi-Fi
 25- Κουμπί για τη ρύθμιση, ενεργοποίηση και απενεργοποίηση του συναγερμού ALM
 26- Ανοίγματα εξαερισμού 27- Υποδοχή τροφοδοσίας DC - IN 28- Αναδιπλούμενη βάση
 29- Ανοίγματα εξαερισμού 30- Κουμπί «+» και αλλαγή καναλιών εξωτερικών αισθητήρων
 31- Αυτόματο παράθυρο αισθητήρα οπίσθιου φωτισμού 32- Για κρέμασμα
 33- Θήκη μπαταρίας ασύρματου αισθητήρα
 34- Διακόπτης αριθμού καναλιού εξωτερικού αισθητήρα

Σύνδεση τροφοδοσίας


Συνδέστε τον παρεχόμενο προσαρμογέα AC/DC σε μια οικιακή πρίζα AC για πηγή τροφοδοσίας, συνδέστε το βύσμα DC του προσαρμογέα στην υποδοχή DC στην πλευρά του πίσω πίνακα, περάστε το καλώδιο τροφοδοσίας από την κεντρική οπή της πτυσσόμενης βάσης. Η οθόνη θα ανάψει και η μονάδα θα είναι έτοιμη για χρήση.

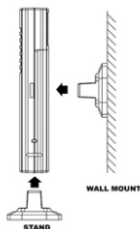
Ανοίξτε το καπάκι της θήκης μπαταριών του εξωτερικού ασύρματου αισθητήρα, τοποθετήστε 2 μπαταρίες AAA (δεν παρέχονται) στη θήκη σύμφωνα με τη σωστή πολικότητα που αναγράφεται στη θήκη. Συνιστούμε να χρησιμοποιείτε αλκαλικές μπαταρίες υψηλής ποιότητας για να έχετε την καλύτερη δυνατή απόδοση από το προϊόν. Δεν συνιστώνται μπαταρίες βαρέως τύπου ή επαναφορτιζόμενες μπαταρίες.

Λήψη σήματος από εξωτερικό ασύρματο αισθητήρα

Όταν το τροφοδοτικό είναι σωστά συνδεδεμένο, ο μετεωρολογικός σταθμός ανιχνεύει αυτόματα και λαμβάνει ένα σήμα από την μέτρηση θερμοκρασίας και υγρασίας του εξωτερικού χώρου από έναν εξωτερικό ασύρματο αισθητήρα. Η ανάκτηση σήματος θα διαρκέσει το πολύ 3 λεπτά. Κατά τη διάρκεια της αναζήτησης, η ένδειξη λήψης σήματος ασύρματου αισθητήρα  (κοντά στο εικονίδιο αριθμού καναλιού εξωτερικού αισθητήρα) θα αναβοσβήνει και θα σταθεροποιηθεί όταν το σήμα ληφθεί με επιτυχία. Εάν ο σταθμός δεν λάβει σήμα από εξωτερικό αισθητήρα, η ένδειξη λήψης σήματος θα εξαφανιστεί μετά από 3 λεπτά και η οθόνη αντί για τα δεδομένα θερμοκρασίας και εξωτερικής υγρασίας θα εμφανίσει το ακόλουθο σύμβολο : «-»». Εάν πρέπει να επανασυνδέσετε τον αισθητήρα, πατήστε και κρατήστε πατημένο το κουμπί επιλογής καναλιού εξωτερικού αισθητήρα (30) στο πίσω μέρος της κύριας μονάδας για 3 δευτερόλεπτα. Η συσκευή σαρώνει ξανά και λαμβάνει σήμα από έναν ή περισσότερους από τους διαθέσιμους αισθητήρες, τον έναν μετά τον άλλο.

Τοποθέτηση της συσκευής και άλλες παρατηρήσεις

- 1. Σημαντικό:** Ο μετεωρολογικός σταθμός μπορεί να συνδεθεί και να λειτουργήσει με έως 3 εξωτερικούς αισθητήρες (παρέχεται μόνο ένας αισθητήρας). Εάν έχετε 2 ή 3 ασύρματους αισθητήρες, καθένας από αυτούς πρέπει να ρυθμιστεί σε διαφορετικό κανάλι μετάδοσης, έτσι ώστε όλοι να λειτουργούν ταυτόχρονα. Για να ελέγξετε και να αλλάξετε το κανάλι (3 κανάλια είναι διαθέσιμα), ανοίξτε την υποδοχή μπαταριών του ασύρματου αισθητήρα και χρησιμοποιήστε το κουμπί CH για να τοποθετήσετε τον αισθητήρα στο αντίστοιχο κανάλι. Πιέστε στιγμιαία το κουμπί επιλογής καναλιού (CH) στον πλευρικό πίνακα του μετεωρολογικού σταθμού για να ελέγξετε και να αλλάξετε δεδομένα από όλους τους ασύρματους εξωτερικούς αισθητήρες. Με σύστημα πάτημα του κουμπιού καναλιού εξωτερικού αισθητήρα (30) στον πίσω πίνακα, μπορούν να ελεγχθούν και να αλλάξουν δεδομένα από διάφορους εξωτερικούς ασύρματους αισθητήρες. Πατήστε επανειλημμένα αυτό το κουμπί μέχρι να φανεί το εικονίδιο «» για να εμφανίζονται εναλλάξ δεδομένα θερμοκρασίας και υγρασίας από όλους τους συνδεδεμένους αισθητήρες. Πατήστε ξανά το κουμπί για να ακυρώσετε τη λειτουργία.
2. Μην χρησιμοποιείτε άλλα ηλεκτρονικά προϊόντα, όπως ακουστικά ή ηχεία, που λειτουργούν στην ίδια συχνότητα σήματος (433 MHz), καθώς μπορεί να προκαλέσουν παρεμβολές. Λάβετε υπόψη ότι εάν οι γείτονές σας χρησιμοποιούν ηλεκτρονικές συσκευές που λειτουργούν στην ίδια συχνότητα σήματος (433MHz), ενδέχεται επίσης να προκαλέσουν παρεμβολές στην ορθή λειτουργία.
4. Για να διασφαλίσετε την ακριβή μέτρηση της εσωτερικής θερμοκρασίας, τοποθετήστε τον μετεωρολογικό σταθμό σε ξηρό μέρος, χωρίς ακαθαρσίες και σκόνη. Επιλέξτε ένα μέρος μακριά από το άμεσο ηλιακό φως και άλλες πηγές θερμότητας, καθώς και μακριά από ανοίγματα αερισμού.
5. Ο ασύρματος αισθητήρας μπορεί να εγκατασταθεί σε εξωτερικό χώρο. Για την καλύτερη δυνατή ακρίβεια της μέτρησης, τοποθετήστε τον αισθητήρα σε κατακόρυφη θέση, τουλάχιστον 1,5 ~ 2 μέτρα από το έδαφος, σε χώρο προστατευμένο από τη βροχή και με καλή κυκλοφορία του αέρα. Μην εκθέτετε τον αισθητήρα σε άμεσο ηλιακό φως για μεγάλα χρονικά διαστήματα.
6. Η μέγιστη απόσταση λειτουργίας του ασύρματου αισθητήρα είναι 50 μέτρα από τον μετεωρολογικό σταθμό, χωρίς εμπόδια μεταξύ τους.
7. Το σήμα από τον ασύρματο αισθητήρα αποστέλλεται στο σταθμό κάθε 114 δευτερόλεπτα (κανάλι 1), 134 δευτερόλεπτα (κανάλι 2), 158 δευτερόλεπτα (κανάλι 3).
8. Μπορείτε να τοποθετήσετε τον αισθητήρα κάθετα ή να τον τοποθετήσετε στον τοίχο, όπως φαίνεται παρακάτω.



Εγκατάσταση της εφαρμογής TUYA και διαμόρφωση


Σημαντικό: Πριν ξεκινήσετε τη λήψη της εφαρμογής TUYA και τη σύνδεση της συσκευής σας σε δίκτυο Wi-Fi, βεβαιωθείτε ότι το smartphone σας είναι συνδεδεμένο σε δίκτυο Wi-Fi 2.4G ή υβριδικό δίκτυο 2.4/5G και ενεργοποιήστε το Bluetooth. Η συσκευή δεν υποστηρίζει το δίκτυο 5GHz.

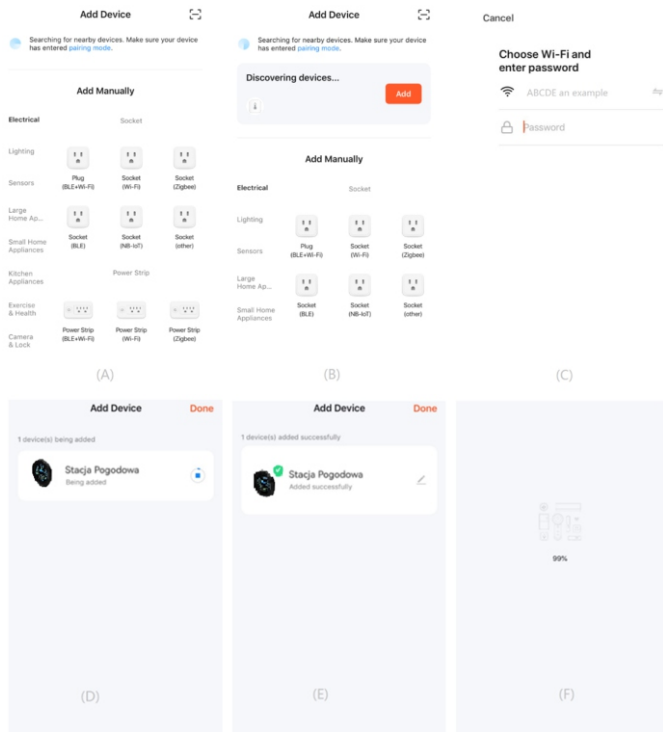
Εφαρμογή TUYA smart: Χρησιμοποιήστε το smartphone σας για να σαρώσετε τον παρακάτω κωδικό QR και να κατεβάσετε την εφαρμογή «Tuya Smart» (ανάλογα με το IOS ή το Android) στη συσκευή σας. Μπορείτε επίσης να αναζητήσετε την εφαρμογή Tuya smart στο κατάστημα Apple ή Google Play για να τη κατεβάσετε. Στη συνέχεια, εκκινήστε την εφαρμογή στη συσκευή σας, ελέγξτε και επισημάνετε τα κατάλληλα δικαιώματα, εγγραφείτε ή συνδεθείτε στον λογαριασμό σας, σύμφωνα με τις οδηγίες στην οθόνη του smartphone.



For Android

For iOS

Ζεύξη και διαμόρφωση δικτύου Wi-Fi: Ενεργοποιήστε τον μετεωρολογικό σταθμό, πατήστε και κρατήστε πατημένο το επάνω κουμπί Wi-Fi (24) στον πίσω πίνακα για 3 δευτερόλεπτα και εισέλθετε στη λειτουργία ζεύξης. Το σύμβολο δικτύου  αναβοσβήνει στην οθόνη. Ανοίξτε την εφαρμογή Tuya smart στη συσκευή σας, αγγίξτε «Προσθήκη συσκευής» (φωτογραφία Α) και αναζητήστε τη συσκευή στην εφαρμογή (μπορείτε να ζητήσετε πρόσβαση στην τοποθεσία, παρακαλώ συναινέστε), ελέγξτε τη λίστα ανίχνευσης συσκευής και αγγίξτε «Προσθήκη» (δείτε τη φωτογραφία Β), επιλέξτε το όνομα του δικτύου Wi-Fi του σπιτιού σας και εισαγάγετε τον κωδικό πρόσβασης όπως ζητήθηκε. Ο μετεωρολογικός σταθμός θα συνδεθεί με την εφαρμογή και, στη συνέχεια, πατήστε το κουμπί «Ετοιμος» (δείτε τις φωτογραφίες Δ και Ε). Η εφαρμογή θα ξεκινήσει τη διαμόρφωση και θα στείλει στην οθόνη του μετεωρολογικού σταθμού την τοπική πρόγνωση καιρού 5 ημερών/δεδομένα δείκτη υπεριώδους ακτινοβολίας/θερμοκρασίας κ.λπ. Εάν είναι απαραίτητο, πατήστε παρατεταμένα το κουμπί Wi-Fi για να επαναφέρετε τη σύνδεση Wi-Fi μεταξύ της εφαρμογής και της συσκευής σας και, στη συνέχεια, ακολουθήστε τις παραπάνω οδηγίες για να επανασυνδεθείτε.



Λειτουργία του μετεωρολογικού σταθμού με χρήση της εφαρμογής TUYA

Συναγερμός/αδράνεια: Στην εφαρμογή μπορείτε να ορίσετε 3 συναγερμούς. Ο συναγερμός ενεργοποιείται μέσω ηχητικού σήματος σε καθορισμένο χρόνο. Ένα σύντομο πάτημα οποιουδήποτε κουμπιού μπορεί να ακυρώσει τον ήχο συναγερμού και ο συναγερμός θα ηχήσει ξανά την ίδια ώρα την επόμενη μέρα.

Με σύντομο πάτημα του κουμπιού υπνάκου (24) η μονάδα τίθεται σε λειτουργία υπνάκου. Ο συναγερμός θα ηχήσει όταν παρέλθει ο καθορισμένος χρόνος υπνάκου. Ο ήχος του συναγερμού θα διαρκέσει 5 λεπτά και θα απενεργοποιηθεί αυτόματα εάν δεν υπάρχουν άλλες λειτουργίες.

Άλλα: Μέσα από την εφαρμογή (πατώντας το αντίστοιχο κουμπί στο κάτω μέρος της οθόνης), μπορείτε επίσης να ρυθμίσετε ένα συναγερμό για την υπέρβαση του ορίου θερμοκρασίας εσωτερικού και εξωτερικού χώρου, να λάβετε μια καμπύλη θερμοκρασίας/εσωτερικής και εξωτερικής υγρασίας και να επιλέξετε μια μονάδα θερμοκρασίας °C (βαθμοί Κελσίου) ή °F (βαθμοί Φαρενάιτ). Εάν ρυθμίσετε και ενεργοποιήσετε μια ειδοποίηση για υπέρβαση του ορίου θερμοκρασίας, τότε όταν η μετρούμενη θερμοκρασία υπερβεί το καθορισμένο όριο, η συσκευή θα εκπέμψει ένα προειδοποιητικό σήμα. Για να ακυρώσετε αυτό το σήμα, πιέστε στιγμιαία το επάνω κουμπί υπνάκου, ωστόσο τα δεδομένα θερμοκρασίας θα αναβοσβήνουν στην οθόνη μέχρι η μετρούμενη θερμοκρασία να μην υπερβαίνει πλέον τα καθορισμένα όρια.

Προσοχή:

α. Τόσο ο μετεωρολογικός σταθμός όσο και το smartphone με την εγκατεστημένη εφαρμογή θα πρέπει να είναι συνδεδεμένα στο ίδιο δίκτυο Wi-Fi.

β. Εάν βγάλετε το smartphone σας εκτός εμβέλειας Wi-Fi, ο μετεωρολογικός σταθμός μπορεί να συνδεθεί και να λειτουργήσει απευθείας με το δίκτυο Wi-Fi.

γ. Εάν αλλάξετε το δίκτυο Wi-Fi ή τον κωδικό πρόσβασης για το Wi-Fi, συνδέστε ξανά τον μετεωρολογικό σταθμό με το smartphone σας. Μπορείτε πρώτα να αφαιρέσετε τη συσκευή από την εφαρμογή TuYa και, στη συνέχεια, να την συνδέσετε ξανά με τον ίδιο τρόπο που περιγράφηκε προηγουμένως σε αυτές τις οδηγίες χρήσης.

δ. Σε περίπτωση απώλειας ή όταν οι πληροφορίες πρόγνωσης καιρού δεν είναι πλήρεις στην οθόνη, προσπαθήστε να ανοίξετε την εφαρμογή TuYa, να ανανεώσετε και να συνδέσετε ξανά τον μετεωρολογικό σταθμό στην εφαρμογή.

ε. Μπορείτε να μετονομάσετε τη συσκευή πατώντας το εικονίδιο με το μολύβι (συνήθως δίπλα στο όνομα της συσκευής) στην εφαρμογή.

φ. Ο μετεωρολογικός σταθμός υποστηρίζει επίσης την εφαρμογή Smart Life. Μπορείτε να μεταβείτε στο Apple Store ή στο Google Play και να αναζητήσετε την εφαρμογή Smart Life-Smart Living για να την κατεβάσετε. Η σύνδεση με την εφαρμογή είναι παρόμοια με την εφαρμογή TUYA.



ΠΡΟΣΟΧΗ

Όταν ο μετεωρολογικός σταθμός λειτουργεί για αρκετή ώρα, η αποσύνδεση της παροχής ρεύματος και η γρήγορη επανασύνδεση θα έχει ως αποτέλεσμα υψηλότερες ενδείξεις θερμοκρασίας και χαμηλότερες ενδείξεις υγρασίας (λόγω της υπολειπόμενης θερμότητας στο εσωτερικό της μονάδας). Απλώς αφήστε τον μετεωρολογικό σταθμό αναμμένο για άλλα 15-30 λεπτά και οι μετρήσεις θερμοκρασίας και υγρασίας θα γίνουν και πάλι σταθερές και ακριβείς. Η ενεργοποίηση του κλιματιστικού ή του ηλεκτρικού ανεμιστήρα προς το μετεωρολογικό σταθμό μπορεί να έχει ως αποτέλεσμα μια μικρή μείωση στην ένδειξη της θερμοκρασίας στο δωμάτιο.

Χειροκίνητες ρυθμίσεις συστήματος: πατήστε και κρατήστε πατημένο το κουμπί set (23) μέχρι να αρχίσει να αναβοσβήνει το ψηφίο της ώρας στην οθόνη, πατήστε το κουμπί + ή - για να ρυθμίσετε την ώρα, πατήστε σύντομα το κουμπί set για να μεταβείτε στη ρύθμιση των λεπτών, χρησιμοποιήστε την ίδια λειτουργία της ρύθμισης της ώρας του ρολογιού για να ολοκληρώσετε τις υπόλοιπες ρυθμίσεις για τα λεπτά/μορφή ρολογιού-12 και 24 ώρες/έτος/μήνας/ημερομηνία/μήνας και μορφή ημερομηνίας/μονάδα θερμοκρασίας/αισθητή θερμοκρασία ή PM2.5/μονάδα πίεσης αέρα/αισθητήρα φωτός (ενεργοποίηση/απενεργοποίηση)/χρόνο υπνάκου (5~60 λεπτά). Πατήστε παρατεταμένα το κουμπί + ή - για να επιταχύνετε τη ρύθμιση. Πατήστε το κουμπί set για να ολοκληρώσετε και να βγείτε από τις ρυθμίσεις. Αν αφήσετε τη συσκευή χωρίς καμία λειτουργία για 10 δευτερόλεπτα, η διαδικασία ρύθμισης θα τερματιστεί.

Χειροκίνητη ρύθμιση συναγερμού: πατήστε παρατεταμένα το κουμπί συναγερμού (25) έως ότου αρχίσει να αναβοσβήνει στην οθόνη το εικονίδιο συναγερμού 1 και το ψηφίο της ώρας, πατήστε το κουμπί + ή - για να ρυθμίσετε την ώρα συναγερμού. Πατήστε ξανά το κουμπί συναγερμού για να μεταβείτε στη ρύθμιση λεπτών συναγερμού. Χρησιμοποιήστε την ίδια λειτουργία με τη ρύθμιση της ώρας συναγερμού για να ολοκληρώσετε τις υπόλοιπες ρυθμίσεις λεπτών συναγερμού/λειτουργίας συναγερμού (ανά ημερομηνία (1-7) και καθημερινή ημέρα (1-5) και Σαββατοκύριακο (6-7)), τότε συνεχίστε με τη ρύθμιση του συναγερμού 2/του συναγερμού 3, η οποία είναι η ίδια λειτουργία με τη ρύθμιση του συναγερμού 1. Πατήστε παρατεταμένα το κουμπί + ή - για να επιταχύνετε τη ρύθμιση. Πατήστε το κουμπί συναγερμού για να ολοκληρώσετε και να βγείτε από τις ρυθμίσεις. Πατήστε σύντομα το κουμπί συναγερμού για να ενεργοποιήσετε τον συναγερμό 1, πατήστε επανειλημμένα το κουμπί συναγερμού για να ενεργοποιήσετε ή να απενεργοποιήσετε τους άλλους συναγερμούς και το αντίστοιχο εικονίδιο συναγερμού θα εμφανιστεί στην οθόνη. Βεβαιωθείτε ότι το εικονίδιο συναγερμού εμφανίζεται στην οθόνη όταν ρυθμιστεί, διαφορετικά η λειτουργία συναγερμού δεν θα λειτουργήσει.

Ξύπνημα και υπνάκος Όταν φτάσει η καθορισμένη ώρα συναγερμού, ο μετεωρολογικός σταθμός θα ηχήσει. Το αντίστοιχο εικονίδιο συναγερμού θα αρχίσει να αναβοσβήνει στην οθόνη. Πατήστε το κουμπί συναγερμού για να ακυρώσετε τον ήχο του ξυπνητηριού και ο συναγερμός θα ηχήσει την ίδια ώρα την επόμενη ημέρα. Πατήστε το κουμπί υπνάκου για να ακυρώσετε προσωρινά τον ήχο του ξυπνητηριού, ο συναγερμός θα ηχήσει ξανά σύμφωνα με τον καθορισμένο χρόνο του υπνάκου. Η διάρκεια του ήχου συναγερμού είναι 5 λεπτά και θα απενεργοποιηθεί αυτόματα εάν δεν γίνει καμία περαιτέρω ενέργεια.

Αυτόματος αισθητήρας φωτός: Ο μετεωρολογικός σταθμός είναι εξοπλισμένος με αυτόματο αισθητήρα φωτός. Η φωτεινότητα της οθόνης ρυθμίζεται αυτόματα ανάλογα με τις συνθήκες φωτισμού στο δωμάτιο. Ρύθμιση του οπίσθιου φωτισμού της οθόνης: Όταν ο αισθητήρας φωτός είναι απενεργοποιημένος. Πατήστε το κουμπί υπνάκου για να επιλέξετε τη φωτεινότητα της οθόνης σε HI (υψηλή), MED (μεσαία) ή LO (χαμηλή).

Ώρα ανατολής και δύσης του ήλιου: στη λειτουργία προβολής ώρας, πατήστε το κουμπί ρύθμισης (23) για να ελέγξετε την ώρα ανατολής του ήλιου, πατήστε το ξανά για να ελέγξετε την ώρα του ηλιοβασιλέματος. Πατήστε το κουμπί set 3 φορές για να εναλλάσσετε τις ώρες ανατολής και δύσης του ήλιου. Πατήστε ξανά το κουμπί set για να επιστρέψετε στην κανονική λειτουργία.

Ένδειξη πρόγνωσης καιρού

				
Ηλιόλουστα	Μερική συννεφιά	Συννεφιά	Βροχερή	Θυελλώδης
				
Άνεμος	Ομίχλη	Καταχνιά	Παγωνιά	

Δείκτης ποιότητας αέρα (AQI/EPA)

Ποιότητα αέρα	Δείκτης ποιότητας αέρα	Ποιος πρέπει να ανησυχεί;
Καλή	0-50	Είναι μια υπέροχη μέρα για υπαίθριες δραστηριότητες.
Μέτρια	51-100	Ορισμένοι άνθρωποι μπορεί να είναι εξαιρετικά ευαίσθητοι στη μόλυνση από σωματίδια. Ευάλωτες ομάδες: Εξετάστε το ενδεχόμενο περιορισμού της παρατεταμένης ή βαριάς κόπωση. Όλοι οι άλλοι: Είναι μια καλή μέρα για να περάσετε χρόνο στην ύπαιθρο.
Ανθυγιεινή για ευαίσθητους ανθρώπους	101-150	Στις ευάλωτες ομάδες περιλαμβάνονται άτομα με καρδιακές ή πνευμονικές παθήσεις, ηλικιωμένοι, παιδιά και έφηβοι. Ευάλωτες ομάδες: η παρατεταμένη ή βαριά κόπωση πρέπει να περιορίζεται.
Ανθυγιεινή	151-200	Ευάλωτες ομάδες: Θα πρέπει να αποφεύγεται η παρατεταμένη ή βαριά κόπωση. Όλοι οι άλλοι: Μειώστε την παρατεταμένη ή βαριά άσκηση. Κάντε περισσότερα διαλείμματα κατά τη διάρκεια όλων των υπαίθριων δραστηριοτήτων.
Πολύ ανθυγιεινή	201-300	Ευάλωτες ομάδες: θα πρέπει να αποφεύγεται κάθε φυσική δραστηριότητα σε εξωτερικούς χώρους. Όλοι οι άλλοι: αποφύγετε την παρατεταμένη ή βαριά κόπωση.
Επικίνδυνη	301-500	Ευάλωτες ομάδες: μείνετε στο σπίτι και διατηρήστε τα επίπεδα σωματικής δραστηριότητας σε χαμηλά επίπεδα. Όλοι: Αποφύγετε κάθε φυσική δραστηριότητα σε εξωτερικούς χώρους.

Για να διαβάσετε τις μέγιστες και ελάχιστες θερμοκρασίες και την υγρασία εντός και εκτός του χώρου: Στη λειτουργία απεικόνισης χρόνου, πατήστε μία φορά το κουμπί «-» (22) για να εμφανιστούν οι μέγιστες καταγραφές εσωτερικής και εξωτερικής θερμοκρασίας και υγρασίας με τα εικονίδια «MAX» να φανούν στην οθόνη. Πατήστε ξανά το κουμπί «-» για να εμφανιστούν οι ελάχιστες εσωτερικές και εξωτερικές θερμοκρασίες και οι καταγραφές υγρασίας με τα εικονίδια «MIN» να φανούν στην οθόνη.

Όταν εμφανίζονται οι μέγιστες ή ελάχιστες τιμές, πατήστε παρατεταμένα το κουμπί - για να μηδενίσετε και τις δύο εγγραφές (ελάχιστη και μέγιστη) και η συσκευή θα αρχίσει να καταγράφει ξανά τις μέγιστες και ελάχιστες τιμές.

Αντιμετώπιση προβλημάτων

Έλλειψη πληροφοριών στην οθόνη	<ul style="list-style-type: none"> ❖ Ελέγξτε εάν το τροφοδοτικό AC/DC είναι σωστά συνδεδεμένο στη συσκευή.
Η θερμοκρασία/υγρασία από τον εξωτερικό αισθητήρα δεν εμφανίζεται.	<ul style="list-style-type: none"> ❖ Ελέγξτε εάν η απόσταση μεταξύ του σταθμού και του αισθητήρα δεν υπερβαίνει τα 30 m (συνιστάται) ❖ Βεβαιωθείτε ότι ο σταθμός και ο αισθητήρας απέχουν τουλάχιστον 2 μέτρα από οθόνες και τηλεοράσεις. ❖ Αποφύγετε την τοποθέτηση συσκευών πάνω ή κοντά σε μεταλλικά πλαίσια παραθύρων. ❖ Αποφύγετε τη χρήση σταθμών κοντά σε ηλεκτρονικές συσκευές όπως ηχεία που λειτουργούν στην ίδια συχνότητα (433 MHz). ❖ Ελέγξτε προσεκτικά εάν οι 3 ασύρματοι αισθητήρες που παρέχονται έχουν τοποθετηθεί σε διαφορετικά κανάλια. ❖ Αφαιρέστε τις μπαταρίες, περιμένετε μια στιγμή και, στη συνέχεια, τοποθετήστε τις ξανά.
Δεν εμφανίζονται πληροφορίες πρόγνωσης καιρού	<ul style="list-style-type: none"> ❖ Δοκιμάστε να ανανεώσετε τη σύνδεση μεταξύ του μετεωρολογικού σταθμού και της εφαρμογής Tuya. ❖ Δοκιμάστε να επανασυνδέσετε τον μετεωρολογικό σταθμό στην εφαρμογή Tuya.

Τεχνικά στοιχεία**Περιοχή θερμοκρασιών**

Εσωτερικά: -10°C/14°F~50°C/122°F(η οθόνη δείχνει HH.H / LL.L εάν η ένδειξη είναι εκτός αυτής της περιοχής)

Εξωτερικά: -40°C/-40°F~60°C/140°F(η οθόνη δείχνει HH.H / LL.L εάν η ένδειξη είναι εκτός αυτής της περιοχής)

Περιοχή υγρασίας

Εσωτερικά: 1%-99% (η οθόνη δείχνει HH.H / LL.L εάν η ένδειξη είναι εκτός αυτής της περιοχής)

Εξωτερικά: 1%-99% (η οθόνη δείχνει HH.H / LL.L εάν η ένδειξη είναι εκτός αυτής της περιοχής)

Ανάλυση θερμοκρασίας: 0,2 °F / 0,1 °C

Ακρίβεια μέτρησης της εσωτερικής θερμοκρασίας: +/- 1 °C

Ακρίβεια μέτρησης της εξωτερικής θερμοκρασίας: +/- 1 °C

Ανάλυση RH%: 1%

Ακρίβεια της εσωτερικής μέτρησης της υγρασίας και ακρίβεια της εξωτερικής μέτρησης της υγρασίας: 30% ~ 70% ±5%

Πέρα από αυτές τις περιοχές: ±7%

Μορφή ώρας: 24 ώρες

Ωρα: 0:00

Συναγεραμός 1, 2 και 3: 6:00 π.μ.

Διάρκεια διάρκειας ξυπνητηριού: 5 λεπτά

Διάρκεια υπνάκου: 5 λεπτά

Ημερολόγιο: Ημερομηνία-Μήνας / Μήνας-Ημερομηνία

Μορφή ώρας: 12-24 ώρες

Θερμοκρασία: °C/°F

Πίεση αέρα: hPa / inHg

PM 2,5: 0 - 999 ug/m³

Συχνότητα μετάδοσης: 433 Mhz

Περιοχή μετάδοσης: 50 m (ανοιχτός χώρος)

(Παρατηρήσεις: οι προδιαγραφές του προϊόντος υπόκεινται σε αλλαγές χωρίς προειδοποίηση.)

Oluline informatsioon.

- Teenindusjuhend ja ohutus käsitlev teave tuleb edaspidiseks kasutuseks säilitada.
- Ei tohi lasta tekkida olukorral, kui seadmele või selle sisemusse tilgub vesi.
- Samuti ei tohi seadet kasutada niisketes kohtades, nagu nt vannituba.
- Antud seadet ei tohi paigaldada järgnevasse kohtadesse:
- Mis on avatud päikesekiirguse vahetule toimele või radiaatorite lähedusse.
- Asetada muu, soojust eraldava, stereofoonilise varustuse peale.
- Blokeerides ventilatsiooni või tolmusesse kohta.
- Pidevale vibratsioonile allutatud kohtadesse.
- Kõrge niiskustasemega kohtadesse.
- Seadet ei tohi asetada küünalde või avatud tule lähedusse.
- Seadet võib kasutada ainult käesolevas juhendis kirjeldatud viisil.
- Enne toite esimest sisselülitamist tuleb veenduda, et toide oleks õigesti ühendatud.

Ohutuse seisukohalt ei tohi korpuseid lahti võtta ega üritada seadme sisemusse tungida. Seadet võivad parandada ainult teeninduse kvalifitseeritud töötajad.

Seadet ei tohi lahti keerata ega selle korpust avada, sest selles ei ole kasutaja poolt parandatavaid osi. Seadme hoolduse ja parandamisega tegelevad ainult teeninduse kvalifitseeritud töötajad.

OHUTUST KÄSITLEV OLULINE TEAVE

1. Lugeda juhend läbi – enne seadme kasutamist alustamist tuleb kogu teenindusjuhend ja ohutus käsitlev teave läbi lugeda.
2. Säilitada juhend – kasutus- ja teenindusjuhend tuleb edaspidiseks kasutuseks säilitada.
3. Järgida hoiatusi – toimida kooskõlas kõikide seadmel paiknevate hoiatuste ja teenindusjuhendiga.
4. Järgida juhiseid – toimida kooskõlas teenindusjuhendi ja kasutajale mõeldud juhistega.
5. Paigaldus – paigaldada seade kooskõlas tootja juhistega.
6. Toiteallikad – seadme toiteks peab kasutama ainult toitekaabli märgistustel antud parameetritega allikaid. Juhul kui kasutaja ei ole kindel kodus oleva toite liigis, peab ta ühendust võtma seadme müüja või kohaliku elektrienergia tarnijaga.
7. Vesi ja niiskus – tulekahju või elektrilöögi ohu vähendamiseks ei tohi seadet vihma, vee ja niiskuse vahetule toimele, nagu nt saunas või vannitoas, allutada. Mitte kasutada käesolevat seadet vee, näiteks vanni, kraanikausi, köögivalamu või pesupali, läheduses, niiskes keldris või basseini juures (või sarnastes kohtades).
8. Esemed ja vedelikud seadmes – läbi seadme avade ei tohi sisse suruda mingeid esemeid, sest need võivad kokku puutuda ohtliku pinge punktidega, mis omakorda võib põhjustada tulekahju või elektrilöögi. Mitte mingil juhul ei tohi seadme pindadele mingeid vedelikke kallata. Seadmele ei tohi asetada vedelikke sisaldavaid esemeid.
9. Teenindus – keelatud on seadme ülevaatust omakäeliselt läbi viia. Avatud katted võivad põhjustada kokkupuudet ohtliku pingega ja osutada ohtlikuks. Seadme hoolduse ja parandamisega tegelevad ainult teeninduse kvalifitseeritud töötajad.
10. Varuosad – osade väljavahetamisel tuleb kontrollida kas teeninduse töötaja on kasutanud tootja poolt soovitatud varuosi või kas osad on originaalosadega identsed. Väljavahetamine kinnitamata osade vastu ohustab tulekahju puhkemise, elektrilöögi ja muude turvariskidega.
11. Seadme keskkonna maksimaalne temperatuur võib olla kuni 35°C.
12. Elektrostaatilisi lahendusi puudutavad juhised – kui seadme töö on häiritud elektrostaatilistest lahendustest tuleb see välja lülitada ja seejärel uuesti sisse lülitada või teise kohta ümber tõsta.

13. Patareid

- Patareisid ei tohi allutada ülemäärase soojuse, nagu nt päikesekiired, tuli jms, toimele.
- Patareide utiliseerimisel tuleb pöörata tähelepanu keskkonnakaitse aspektidele.
- Patareide kasutamist puudutav hoiatus: patareid ei tohi lasta kuluda kuni lekkimiseni, mis võib põhjustada kehavigastusi ja seadme kahjustusi:
 - Patareide sisestamisel pöörata tähelepanu nende polaarsusele (+ ja -).
 - Ei tohi kasutada samaaegselt erinevaid patareisid — vanu ja uusi, standardseid ja alkaalpatareisid, jne.
 - Kui seadet pikema aja jooksul ei kasutata, tuleb patareid välja võtta.

HOIATUS

Seadet ei tohi kasutada piiratud füüsiliste, sensorsete ja psüühiliste võimetega või seadmega töötamise kogemusi või teadmisi mitte omavad inimesed (sealhulgas lapsed), kui nad ei viibi nende ohutuse eest vastutavate isikute järelevalve all või kui neid ei ole seadme ohutu kasutamise teemal instrueeritud. Kui seadet teenindavad lapsed, on nõutav täiskasvanute kohaolek; see võimaldab tagada seadme ohutu kasutuse.

- Keelatud on töötavat seadet järelvalveta jätta! Kui seadet isegi lühikese aja jooksul ei kasutata, tuleb see välja lülitada.
- Seadet ei tohi teenindada taimeriga välise kella vahendusel ega eraldiasetseva kaugjuhtimisega süsteemi abil.
- Toitejuhtme kahjustuste korral ohtude vältimiseks peab väljavahetamist teostama tootja, autoriseeritud teeninduspunkt või muu, asjakohast kvalifikatsiooni omav isik.
- Enne seadme teenindamise juurde asumist tuleb veenduda, et selle pinge vastab kohalikus toitevõrgus pingele.
- Tulekahju või elektrilõgi vältimiseks tuleb seadet kaitsta kuumade kohtade, vihma, niiskuse ja tolmu toime eest.
- Seadet ei tohi allutada tugevate magnetväljade toimele.
- Vahetult võimendile või vastuvõtjale seadet asetada ei tohi.
- Seadet ei tohi viia niiskesse kohta, sest niiskusel on elektrilistele allüksustele kahjulik mõju.
- Peale seadme külmast sooja või niiskesse kohta toomist võib mängija sees olevale läätsele tekkida niiskuse kondensatsioon. Sellises olukorras seade korralikult tööle ei hakka. Niiskuse aurumise võimaldamiseks tuleb sisselülitatud seade jätta umbes tunniks ajaks seisma.
- Seadet ei tohi puhastada keemiliste lahustitega, sest need võivad kahjustada korpuse lakikihti. Seadet pühitakse puhta, kuiva või vähesel määral niisutatud lapiga.

TÄHELEPANU



Deklaratsioon

Blaupunkt Competence Center 2N-Everpol Sp. z o.o. teavitab käesolevaga, et seade vastab direktiivi 2014/53 / EL nõuetele ja selle muudele asjakohastele sätetele. Täielik vastavusdeklaratsioon asub leheküljel www.blaupunkt.com toote järjehoidjas.

Vastutav ettevõtte: 2N-Everpol Sp. Z O.O.

Puławska 403A, 02-801 Varssavi, Poola

Telefon: +48 22 688 08 00, e-mail: info@everpol.pl



Toode on toodetud kõrgkvaliteetsetest taastootmisesse suunatavatest ja taaskasutatavatest materjalidest ning allüksustest.



Kui teie seadmel on läbikriipsutatud prügikasti silt, tähendab see, et toode on hõlmatud Euroopa direktiivi 2012/19/EL sätetega. Sellest lähtuvalt järgige kohalike eeskirju ja tutvuge kohaliku elektri- ja elektroonikajäätmete kogumissüsteemi nõuetega ning järgige neid selle toote puhul.

ÄRGE KASUTAGE SEDA TOODET KOOS OLMEJÄÄTMETEGA!

SEE TOODE SISALDAB OHTLIKKE AINEID, SEGU^Sid JA KOOSTISAINeid, MIS VÕIB LOATAMATA OLLA VÕIMALIKUTE MÕJUTE ALLIKAKS LOODUSKESKKONNALE JA INIMESE TERVISELE!

Kasutatud toote õige utiliseerimine hoiab ära negatiivsed mõjud keskkonnale ja inimeste tervisele.



Seade on varustatud Euroopa direktiiviga 2006/66/EC hõlmatud patareidega. Patareide äraviskamine koos kodumajapidamisjäätmetega on keelatud. Tutvuda patareide eraldiasetsevalt kogumist käsitlevate kohalike eeskirjadega, sest õige utiliseerimine väldib potentsiaalseid looduskeskkonnale ja inimtervisele kahju tekitavaid tagajärgi.

Looduskeskkonna kaitset käsitlev teave

Pakend sisaldab ainult vajalikke elemente. Tehtud on kõik endast olenev, et kolm koostismaterjali oleks hõlpsasti eraldatavad: papp (kast), polüstüreenvaht (seesmine kaitse) ja polüetüleen (kotid, kaitsepoogen). Toode on toodetud materjalidest, mida saab suunata taastootmisse ja peale nende eriotstarbelise ettevõtte poolt demonteerimist, uuesti kasutada. Järgida pakendmaterjalide, patareide ja kasutatud seadmete utiliseerimist käsitlevaid kohalike ettekirjutusi.

Materjalide salvestamiseks ja esitamiseks võib vaja minna nõusolekut. Tutvuge autoriõiguse ja esinejate/kunstnike õiguste seadusega.

ERP2 (elektrienergiaga seotud seadmed) puudutav märkus

Käeolev ökoprojektiga seade vastab vastab ökoprojektide nõudeid käsitleva KOMISJONI (EÜ) MÄÄRUSE nr 1275/2008 kontori- ja kodukasutuseks mõeldud seadmete väljalülitatuna ja ooterežiimis energiatarbimist puudutava direktiivi 2009/125/WE jõustava 2. etapi nõuetele.

Täname teid meie ilmajaama ostmise eest. Sellel mudelil on järgmised omadused.

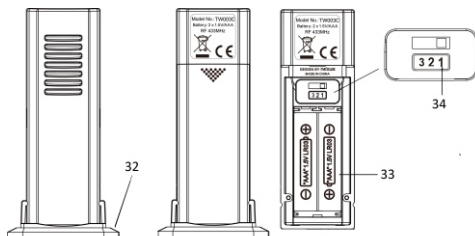
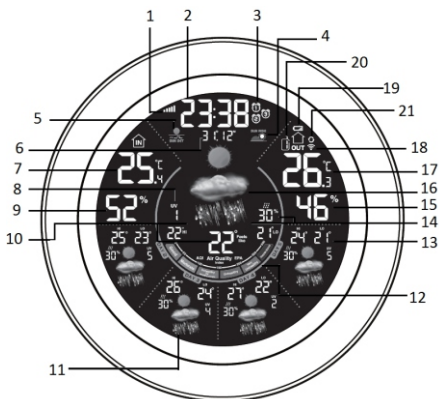
Funktsioonid

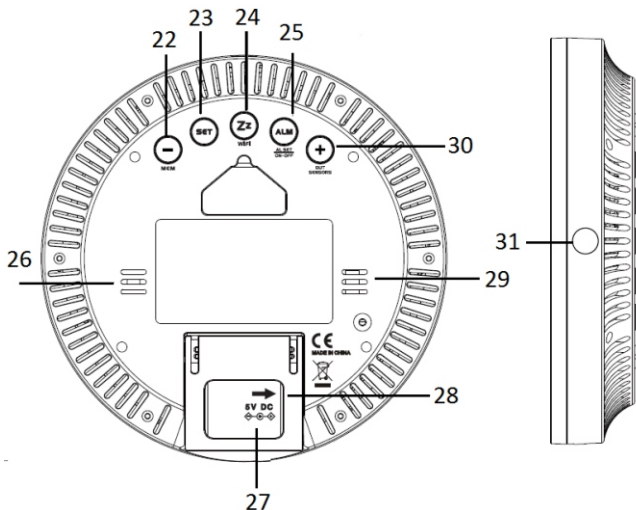
- Rakenduse TUYA kasutamine
- 5-päevane ilmaprognoos, UV-kiirguse indeks, madalaim/kõrgeim temperatuur
- Sise/välis temperatuur
- Sise/välisniiskus
- Sise/välisniiskus
- Alarm koos uinakufunktsiooniga
- Toetab kuni 3 välist erinevatel kanalitel andmeid edastavat juhtmevaba andurit (1 andur on kaasas)
- Ruumi soojusliku mugavuse näit
- Baromeeter

Enne seadme kasutamist lugege käesolev kasutusjuhend läbi ja tutvuge sellega hoolikalt.

Palume säilitada juhend tulevikus kasutamiseks.

Ekraan ja juhtelemendid





- 1- Wi-Fi signaali ikoon 2- Kell 3- Alarm 1/2/3 4- Päikesetõusu ikoon
 5- Päikeseloojangu ikoon 6- Kalender 7- Sisetemperatuur 8- UV-indeks
 9- Sisemine niiskus
 10- Tunnetatav temperatuur ja PM2.5 indeks (kuvatatakse ekraanil vaheldumisi)
 11- Ilmaprognoos 12- Õhukvaliteedi indeks 13- Temperatuuri madalaim ja kõrgeim väärtus
 14- Vihm 15- Välisniiskus 16- Ilmaprognoos 17- Välistemperatuur
 18- Välise juhtmevaba anduri signaali ikoon
 19- Juhtmevaba anduri patarei laetuse madala taseme näidik. (Selle ikooni ilmumisel vahetage välise anduri patarei uue vastu välja).
 20- Välise juhtmevaba anduri numbe
 21- Märkuste sisselülitatud automaatse kerimise funktsiooni ikoon 22- MEM mälu ja "-" nupp
 23- Seadete nupp SET 24- Uinaku ja Wi-Fi signaali nupp
 25- Alarmi seadistamise, sisse- ja väljalülitamise nupp ALM 26- Ventilatsiooniavad
 27- Toitepesa DC - IN; 28- Kokkupandav alus 29- Ventilatsiooniavad
 30- "+" ja välisandurite kanalite muutmise nupp 31- Automaatse taustvalguse anduri aken
 32- Riputusalus 33- Juhtmevaba anduri patareikamber
 34- Välise anduri kanali numbril ümberlülitati


Toite ühendamine

Ühendage kaasasolev AC/DC toiteplokk kodumajapidamises kasutatavasse AC pessa, ühendage toiteploki DC pesa tagapaneeli küljel asuvasse DC pessa, vedage toitejuhe läbi kokkupandava aluse keskele ava. Näidik süttib ja seade on seejärel töövalmis.

Avage välise juhtmevaba anduri patareikambri kaas, sisestage vastavalt patareikambris näidatud õigele polaarsusele kambris 2 AAA patareid (ei ole kaasas). Toote parima tõhususe


saavutamiseks soovime kasutada kõrge kvaliteediga leelispatareisid. Pika kestvusega patareide või akude kasutamine ei ole soovitatav.

Välise juhtmevaba anduri signaali vastuvõtmine

Kui toide on õigesti ühendatud, tuvastab ilmajaam ning võtab väliselt juhtmevabalt andurilt automaatselt vastu välistemperatuuri ja õhuniiskuse signaalid. Signaalide otsimine võtab  maksimaalselt kolm minutit. Otsingu ajal vilgub juhtmevaba anduri signaali vastuvõtu näit (välise anduri kanali numbril ikooni lähedal) ja stabiliseerub pärast signaali edukat vastu võtmist. Kui jaam väliselt andurilt signaali ei saa, kaob signaali vastuvõtu näit 3 minuti pärast ja ekraanil kuvatakse välise temperatuuri ja niiskuse andmete asemel järgmine sümbol: „-“. Kui tekib anduri uuesti ühendamise vajadus vajutage ja hoidke 3 sekundit all peaüksuse tagaküljel olevat välise anduri kanali valimise nuppu (30). Seade skaneerib uuesti ja võtab üksteise järel ühelt või mitmelt saadaolevalt andurilt signaali vastu.

Seadme paigutus ja muud tähelepanekud

1. Oluline: Ilmajaama saab ühendada ja see saab töötada kuni 3 välise anduriga (kaasas on ainult üks andur). Kui teil on 2 või 3 juhtmevaba andurit, peate kõigi samaaegselt töötamiseks seadistama need erinevatele saatekanalitele. Kanali kontrollimiseks ja muutmiseks (saadaval on 3 kanalit) avage juhtmevaba anduri patareikamber ja kasutage anduri sobivale kanalile seadistamiseks nuppu CH. Ilmajaama küljepaneelil oleva kanali valimise nupu (CH) lühike vajutamine võimaldab kõigi ühendatud juhtmevaba välisandurite andmeid kontrollida ja ümber lülitada.

Vajutades lühidalt tagapaneelil asuvat välise andurite kanali nuppu (30), saab erinevatelt väliselt juhtmevabadelt anduritelt saadud andmeid kontrollida ja ümber lülitada. Kõigi ühendatud andurite temperatuuri- ja niiskuseandmete vaheldumisi kuvamiseks vajutate ikooni „“ ilmumiseni seda nuppu korduvalt. Funktsiooni tühistamiseks vajutate nuppu uuesti.

2. Palun hoidke ja kasutage ilmajaama ning välist andurit häireallikatest, näiteks arvutimonitoridest või teleritest, 1,5~2 meetri kaugusel. Ilmajaam tuleks ka metallraamidega akendest eemale paigutada.

3. Ärge kasutage teisi samal signaalisagedusel (433 MHz) töötavaid elektroonilisi tooteid, näiteks kõrvaklappe või kõlareid, kuna need võivad häireid põhjustada. Pidage meeles, et kui teie naabrid kasutavad samal signaalisagedusel (433 MHz) töötavaid elektroonilisi seadmeid, võivad ka nemad korralikku töötamist häirida.

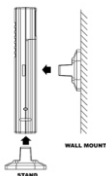
4. Sisetemperatuuri täpse mõõtmise tagamiseks asetage ilmajaam mustuse- ja tolmuvabasse kuiva kohta. Valige asukoht otsesest päikesevalgusest ja muudest soojusallikatest ning samuti ventilatsiooniavadest eemal.

5. Juhtmevaba anduri võib paigaldada välja. Võimalikult parema mõõtmistäpsuse saavutamiseks paigutage andur vertikaalselt, vähemalt 1,5 ~ 2 meetri kõrgusele maapinnast, vihma eest kaitstud ja hea õhuringlusega kohta. Ärge jätke andurit pikema aja jooksul otsese päikesevalguse toimealasse.

6. Juhtmevaba anduri maksimaalne töökaugus ilmajaamast on ilma nende vaheliste takistusteta 50 meetrit.

7. Juhtmevaba anduri signaal saadetakse jaama igakordselt 114 sekundi (kanal 1), 134 sekundi (kanal 2) ja 158 sekundi (kanal 3) järel.

8. Anduri saab paigutada vertikaalselt või kinnitada seinale, nagu allpool näidatud.




Rakenduse TUYA paigaldamine ja konfigureerimine

Oluline: Enne rakenduse TUYA allalaadimist ja seadme Wi-Fi-võrguga ühendamist veenduge, et teie nutitelefon on ühendatud 2.4G Wi-Fi võrku või 2.4/5G hübriidvõrku, ning lülitage sisse Bluetooth. Seade ei toeta 5GHz võrke.

Rakendus TUYA smart: Skaneerige oma nutitelefoni allaolev QR-kood ja laadige oma seadmesse rakendus „Tuya smart“ (sõltuvalt IOS või Android süsteemist). Allalaadimiseks võite rakenduse Tuya smart leida ka Apple'i või Google Play poest. Seejärel käivitage rakendus oma seadmes, kontrollige ja märgistage asjakohased nõusolekud, registreerige end või logige oma kontole sisse, kooskõlas nutitelefoni ekraanil ilmuvate juhistega.



Wi-Fi võrgus paarimine ja konfigureerimine: Lülitage ilmajaam sisse, vajutage ja hoidke 3 sekundit all ülemist tagapaneelil asuvat Wi-Fi nuppu (24)) ja sisenege paarisrežiimi. Võrgu sümbol  hakkab ekraanil vilkuma. Avage oma seadmes rakendus Tuya smart, puudutage nuppu „Lisa seade“ (pilt A) ja leidke seade rakenduses (võib paluda juurdepääsu asukohale, palume nõustuda), kontrollige seadmete tuvastamise loendit ja puudutage nuppu „Lisa“ (vaata pilt B), valige oma koduse Wi-Fi-võrgu nimi ning sisestage nõutud parool. Ilmajaam paaritakse rakendusega, seejärel vajutage nuppu „Valmis“ (vaata pilte D ja E). Rakendus alustab konfigureerimist ja saadab ilmajaama ekraanile kohaliku 5-päevase ilmaprognoosi/UV-indeksi/temperatuurandmed jne.

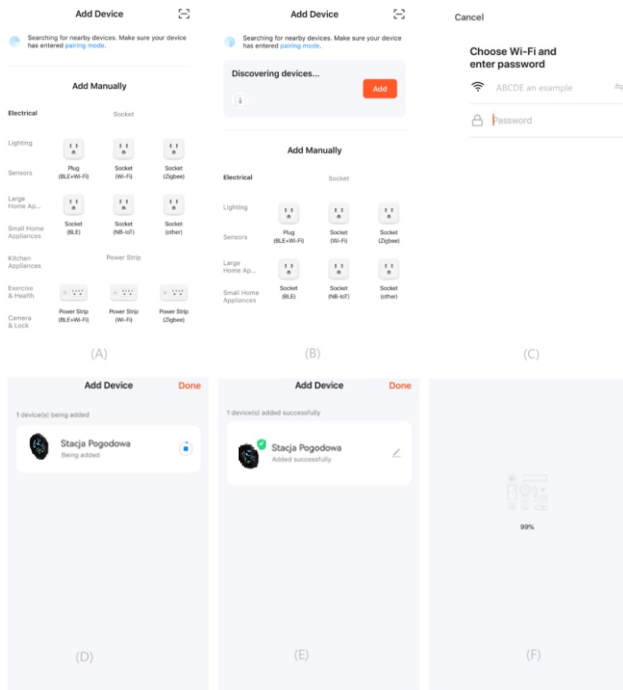
Rakenduse ja seadme vahelise Wi-Fi ühenduse lähtestamise vajaduse korral vajutage ning hoidke all Wi-Fi nuppu, seejärel järgige ühenduse taastamiseks ülaltoodud juhiseid.

Ilmajaama kasutamine rakenduse TUYA abil

Alarm/uinak: Rakenduses saab seadistada 3 alarmi. Alarm aktiveerub kindlaksmääratud ajal helisignaalina. Mis tahes nupu lühike vajutus võib alarmi heli vaigistada ja järgmisel päeval kõlab alarm uuesti samal ajal.

Lühiajaline vajutamine uinaku nupule (24) lülitab seadme uinaku režiimi. Alarm lülitub sisse pärast seadistatud uinakuaja möödumist. Alarmi heli kõlab 5 minuti jooksul ja edasiste operatsioonide puudumise korral lülitub automaatselt välja.

Muu: Rakenduse tasemel (vajutades ekraani allosas asuvat asjakohast nuppu) saate määrata ka sise- ja välistemperatuuri piirväärtuste ületamise hoiatuse, saada sise- ja välistemperatuuri/niiskuse graafiku ning valida temperatuuriühiku °C (kraadid Celsiuse järgi) või °F (kraadid Fahrenheiti järgi). Temperatuuri piirväärtuse ületamise hoiatussignaali seadistamise ja aktiveerimise korral annab seade mõõdetava temperatuuri seatud piiri ületamisel hoiatussignaali. Selle signaali vaigistamiseks vajutage lühidalt ülemist nuppu uinaku, kuid temperatuuri andmed jätkavad ekraanil vilkumist kuni mõõdetav temperatuur seatud piiri enam ei ületa.



Tähelepanu:

- Nii ilmajaam kui ka nutitelefoni, millele rakendus on paigaldatud, peavad olema ühendatud samasse Wi-Fi-võrku.
- Viies oma nutitelefoni Wi-Fi levialast välja, saab ilmajaam teie Wi-Fi-võrguga vahetult ühenduse luua ja sellelt otse töötada.
- Wi-Fi võrgu või Wi-Fi parooli muutumise korral tuleb ilmajaam nutitelefoni abil uuesti paarida. Kõigepealt võite seadme rakendusest Tuya eemaldada, seejärel selle käesolevas juhendis eespool kirjeldatud viisil uuesti ühendada.
- Kui ilmasteade ekraanilt puudub või on ebatäielik, proovige avada rakendus Tuya, värskendada ja ühendada ilmajaam rakenduses uuesti.
- Seadme nime saate muuta puudutades rakenduses pliitsi ikooni (tavaliselt seadme nime kõrval).
- Ilmajaam toetab ka rakendust Smart Life. Võite minna Apple Store'i või Google Play'sse ja leida allalaadimiseks rakendus Smart Life-Smart Living. Ühendamine rakendusega on samasugune nagu rakenduse TUYA puhul.



TÄHELEPANU

Kui ilmajaam on mõnda aega töötanud, põhjustab toite katkestamine ja kiire taasühendamine temperatuuri kõrgema ja niiskuse madalama näidu (seadme sees oleva jääksoojuse tõttu). Piisab ilmajaama veel 15-30 minutiks sisselülitatuks jätmisest ja temperatuuri ning õhuniiskuse näit muutub taas stabiilseks ja täpseks.

Kliimaseadme või elektrilise ventilaatori ilmajaama suunas sisselülitamine võib põhjustada ruumi temperatuuri näitude mõningase vähenemise.

Süsteemi manuaalsed seaded: vajutage ja hoidke seadistusnuppu (23) all, kuni tunni number hakkab ekraanil vilkuma, tunni määramiseks vajutage + või - nuppu, minutite seadistusse minekuks vajutage lühidalt nuppu set, minutite/kellaformaadi-12 ja 24 tunni/aasta/kuu/kuupäeva/kuu ja kuupäevaformaadi/ temperatuurirühiku/ tunnetatava temperatuuri või PM2.5/ õhurõhu ühiku/valgusanduri (sisse/välja)/uinaku aja (5~60 minutit) ülejäänud seadistuste lõpetamiseks toimige nagu kellaaja seadistamisel. Seadistamise kiirendamiseks vajutage ja hoidke all nuppu + või -. Lõpetamiseks ja seadetest väljumiseks vajutage nuppu set uuesti. Seadme 10 sekundiks ilma igasuguse toiminguta jätmise põhjustab seadistamise protsessist väljumise.










Alarmi manuaalne seadistamine: vajutage ja hoidke alarmi nuppu (25) all, kuni alarmi1 ikoon ja tunni number hakkavad ekraanil vilkuma, alarmi tunni seadmiseks vajutage + või - nuppu. Alarmi minutite seadistusse minekuks vajutage alarmi nuppu uuesti. Alarmi minutilise/alarmi režiimi ülejäänud seadistuste (kuupäeva (1-7) ja nädalapäevade (1-5) ja nädalavahetuse (6-7) järgi) lõpule viimiseks toimige nagu alarmi tunni seadistamisel; seejärel jätkake alarmi 2/alarmi

3 seadistamisega, mis on samasugune toiming nagu häire 1 seadistamine. Seadistamise kiirendamiseks vajutage ja hoidke all nuppu + või -. Lõpetamiseks ja seadetest väljumiseks vajutage alarmi nuppu uuesti. Alarm1 sisselülitamiseks vajutage lühidalt alarmi nuppu; teiste alarmide sisse- või väljalülitamiseks vajutage korduvalt alarmi nuppu, ning ekraanile ilmub vastava alarmi ikoon. Veenduge, et seadistamisel ilmub ekraanile alarmi ikoon, vastasel juhul alarmi funktsioon tööle ei hakka.

Äratus ja uinak: Alarmile seatud aja saabumisel väljastab ilmajaam helisignaali. Ekraanil hakkab vilkuma vastava alarmi ikoon. Vajutage alarmi helisignaali tühistamiseks alarmi nuppu ja järgmisel päeval lülitub alarm samal ajal sisse. Vajutage alarmi heli ajutiseks katkestamiseks uinaku nuppu, alarm lülitub uuesti sisse vastavalt seadistatud uinaku ajale. Alarmi helisignaali kestus on 5 minutit ja kui mingeid täiendavaid toiminguid ette ei võeta lülitub see automaatselt välja.

Automaatne valgusandur: Ilmajaam on varustatud automaatse valgusanduriga. Ekraani heledus reguleeritakse automaatselt vastavalt ruumis valitsevatele valgustingimustele. Ekraani taustavalgustuse reguleerimine: Kui valgusandur on välja lülitatud. Vajutage ekraani heleduse HI (kõrge), MED (keskmine) või LO (madal) taseme valimiseks uinaku nuppu. Päikesetõusu ja päikeseloojangu aeg: vajutage aja kuvamise režiimis päikesetõusu aja kontrollimiseks nuppu set (23), päikeseloojangu aja kontrollimiseks vajutage seda uuesti. Vajutage vaheldumisi päikesetõusu ja -loojangu aegade valimiseks 3 korda nuppu set. Vajutage standardrežiimi naasmiseks uuesti nuppu set.

Ilmaprognoosi näidik

				
Päikeseline	Osaliselt pilvine	Pilves	Vihmane	Tormine
				
Tuuline	Udu	Sompus	Külmetab	

Õhukvaliteedi indeks (AQI/EPA)

Õhukvaliteet	Õhukvaliteedi indeks	Keda see puudutab?
Hea	0-50	Suurepärase päev vabaõhutegevuseks.
Möödukas	51-100	Mõned inimesed võivad olla osakeste saastumise suhtes erakordselt tundlikud. Eriti tundlikud rühmad: Kaaluda pikaajalise või raske treeningu piiramist. Kõik teised: Hea päev vabas õhus ajaveetmiseks.
Ebatervislik tundlikele inimestele	101-150	Tundlike rühmade hulka kuuluvad südame- või kopsuhaiged inimesed, eakad, lapsed ja noorukid. Tundlikud rühmad: piirata pikaajalist või rasket treeningut.
Ebatervislik	151-200	Tundlikud rühmad: Vältida pikaajalist või suurt pingutust. Kõik teised: Vähendada pikaajalist või rasket pingutust. Tehke kõigi värskes õhus toimuvate tegevuste ajal rohkem pause.
Väga ebatervislik	201-300	Tundlikud rühmad: vältida välitingimustes igasugust füüsilist tegevust. Kõik teised: vältida pikaajalist või suurt pingutust.
Ohtlik	301-500	Tundlikud rühmad: jääge koju ja hoidke keheline aktiivsus madalal tasemel. Kõik: Vältige välitingimustes igasugust füüsilist tegevust.

Maksimaalse ning minimaalse sise- ja välistemperatuuri ning sise- ja välisniiskuse lugemiseks: Vajutage ikoonidega „MAX” ekraanile ilmuvate maksimaalsete sise- ja välistemperatuuride ning niiskuse kirjete kuvamiseks aja kuvamise režiimis üks kord nuppu „←” (22). Vajutage ikoonidega „MIN” ekraanile ilmuvate minimaalsete sise- ja välistemperatuuride ning niiskuse kirjete kuvamiseks aja kuvamise režiimis nuppu „→” uuesti. Maksimaalsete või minimaalsete väärtuste kuvamise ajal vajutage ning hoidke kirjete (minimaalne ja maksimaalne) lähtestamiseks all nuppu „↓”, ning seade hakkab uuesti maksimaalseid ja minimaalseid väärtusi registreerima.

Probleemide lahendamine

Ekraanil puudub teave	<ul style="list-style-type: none"> ✧ Kontrollige, et AC/DC toiteplokk oleks seadmega õigesti ühendatud.
Välise anduri temperatuuri/niiskust ei kuvata.	<ul style="list-style-type: none"> ✧ Kontrollige, et jaama ja anduri vaheline kaugus ei ületaks 30 m (soovitav) ✧ Veenduge, et jaam ja andur oleksid monitoridest ning teleritest vähemalt 2 m kaugusel. ✧ Vältige seadmete paigutamist metallist aknaraamidele või nende lähedusse. ✧ Vältige jaama kasutamist samal sagedusel (433 MHz) töötavate elektroonikaseadmete, näiteks kõlarite läheduses. ✧ Palun hoolikalt kontrollida, et 3 kaasasolevat juhtmevaba andurit oleks seadistatud erinevatele kanalitele. ✧ Eemaldage patareid, oodake hetk ja sisestage need uuesti.
Ilmaprognoosi teave ekraanil puudub	<ul style="list-style-type: none"> ✧ Proovige värskendada ilmajaama ja rakenduse Tuya vahelist ühendust. ✧ Proovige ilmajaam rakendusega Tuya uuesti ühendada.

Tehnilised andmed**Temperatuuride vahemik**

Sisetemperatuur: $-10^{\circ}\text{C}/14^{\circ}\text{F} \sim 50^{\circ}\text{C}/122^{\circ}\text{F}$ (kui näit on väljaspool seda vahemikku, näitab ekraan HH.H / LL.L)

Välistemperatuur: $-40^{\circ}\text{C}/-40^{\circ}\text{F} \sim 60^{\circ}\text{C}/140^{\circ}\text{F}$ (kui näit on väljaspool seda vahemikku, näitab ekraan HH.H / LL.L)

Niiskusvahemik

Siseniiskus: 1%-99% (kui näit on väljaspool seda vahemikku, näitab ekraan HH.H / LL.L)

Välistemperatuur: 1%-99% (kui näit on väljaspool seda vahemikku, näitab ekraan HH.H / LL.L)

Temperatuuri eraldusvõime: $0,2^{\circ}\text{F} / 0,1^{\circ}\text{C}$

Sisetemperatuuri näitude täpsus: $\pm 1^{\circ}\text{C}$

Välistemperatuuri näitude täpsus: $\pm 1^{\circ}\text{C}$

RH% eraldusvõime: 1%

Siseniiskuse ja välisniiskuse näitude täpsus: $30\% \sim 70\% \pm 5\%$

Väljaspool neid vahemikke: $\pm 7\%$

Aja formaat: 24 tundi

Kellaaeg: 0:00

Alarm 1, 2 ja 3: 6:00 hommikul

Alarmi kestvusaeg: 5 minutit

Uinaku kestus: 5 minutit

Kalender: Kuupäev-Kuu / Kuu-Kuupäev

Aja formaat: 12/ 24 tundi

Temperatuur: $^{\circ}\text{C}/^{\circ}\text{F}$

Õhurõhk: hPa / inHg

PM 2,5: 0 - 999 $\mu\text{g}/\text{m}^3$

Ülekande sagedus: 433 MHz

Ülekande ulatus: 50 m (avatud ala)

(Toote spetsifikatsioon võib ilma eelneva hoiatamiseta muudatustele alluda).

Svarbi informacija

- Privaloma išsaugoti šias naudojimo instrukcijas ir saugos informaciją būsimam naudojimui.
- Neleiskite skysčiams lašėti ar išsilieti ant įrenginio.
- Draudžiama taip pat naudoti jį drėgnose vietose, pvz. vonios kambaryje.
- Draudžiama įrengti šį įrenginį tokiose vietose:
- Vietos neapsaugotos nuo tiesioginių saulės spindulių ar šalia radiatorių.
- Dėti jį ant viršaus kitos stereofoninės įrangos, kuri išleidžia šilumą.
- Blokuojant ventiliaciją arba dulkėtoje vietoje.
- Vietose, kuriose vyksta nuolatinė vibracija.
- Vietose, kur yra didelė drėgmė.
- Draudžiama dėti įrenginį arti žvakių ar atviros liepsnos.
- Įrenginys gali būti naudojamas tik šiame vadove aprašytu būdu.
- Prieš įjungdami maitinimą pirmą kartą, įsitikinkite, kad srovės adapteris yra tinkamai prijungtas.

Dėl saugumo priežasčių, draudžiamas gaubtų išmontavimas bei įrenginio vidaus atskleidimas. Įrenginio remontas turėtų būti aptarnaujamas kvalifikuoto techninio personalo. Draudžiama ardyti įrenginį bei atidarinėti jo korpusą, nes jo viduje nėra jokių dalių, kurias galėtų naudotojas pataisyti. Techninė priežiūra ir remontas aptarnaujami tik kvalifikuoto techninio personalo.

SAUGOS INSTRUKCIJOS

1. Perskaitykite instrukcijas – prieš naudodami įrenginį perskaitykite visą naudojimo instrukciją ir saugos informaciją.
2. Išsaugokite instrukcijas – privaloma išsaugoti naudojimo ir valdymo instrukcijas būsimam naudojimui.
3. Laikykitės įspėjimų – privaloma laikytis visų prietaiso įspėjimų pateiktų ant įrenginio ir vadovautis naudojimo instrukcijomis.
4. Laikykitės instrukcijų – privaloma vadovautis naudojimo instrukcijomis bei nurodymais vartotojui.
5. Diegimas – nustatykite įrenginį pagal gamintojo instrukcijas.
6. Maitinimo šaltiniai – įrenginys turi būti maitinamas tik iš šaltinių, kurių parametrai nurodyti maitinimo laido žymenyse. Jei vartotojas nėra tikras, kokios energijos tipą turi namuose, turėtų susisiekti su savo įrenginio platintoju arba vietiniu elektros energijos tiekėju.
7. Vanduo ir drėgmė – norėdami sumažinti gaisro ar elektros smūgio pavojų, saugokite įrenginį nuo tiesioginio lietaus, vandens ir drėgmės poveikio, tokio kaip pvz. saunoje ar vonioje. Nenaudokite šio įrenginio šalia vandens, pavyzdžiui, prie vonios, kriauklės, virtuvės ar kubelio, šlapiame rūsyje arba prie baseino (ar panašiose vietose).
8. Objektai ir skysčiai įrenginyje – draudžiama kišti bet kokius daiktus per įrenginio angas, nes jie gali liestis su pavojingos įtampos taškais ir komponentais, dėl ko gali kilti gaisras arba įvykti elektros smūgis. Griežtai draudžiama išpilti bet kokius skysčius ant įrenginio paviršiaus. Draudžiama dėti ant įrenginio viršaus objektus, kuriuose yra skysčių.
9. Techninis aptarnavimas – draudžiama savarankiškai bandyti asmeniškai naršyti įrenginį. Dangčio atidarymas gali sukelti kontaktą su pavojinga įtampa ir sukelti vartotojui kitus pavojus. Techninė priežiūra ir remontas aptarnaujami tik kvalifikuoto techninio personalo.
10. atsarginės dalys – keičiant dalis, įsitikinkite, kad techninės priežiūros darbuotojas panaudojo gamintojo rekomenduotas atsargines dalis arba kad dalys yra identiškos originalioms dalims. Nepatvirtintų dalių panaudojimas sukelia gaisro, elektros smūgio pavojų ar kitus pavojus.
11. Didžiausia įrenginio aplinkos temperatūra tai 35°C.
12. Patarimai dėl elektrostatinių iškrovų – jei prietaiso veiksmingumas yra veikiamas elektrostatinių iškrovimų, išjunkite jį ir vėl įjunkite arba perkelkite įrenginį į kitą vietą.

13. Baterija

a. Baterijos negali būti veikiamos per didelės temperatūros, pavyzdžiui, saulės spindulių, ugnies ir tt.

b. Išmesdami baterijas, atkreipkite dėmesį į aplinkosaugos aspektus.

c. Įspėjimas dėl baterijų naudojimo: norėdami išvengti baterijų nutekėjimo, dėl kurio galite sužaloti savo kūną ar sugadinti įrenginį:

- Įdėdami bateriją atkreipkite dėmesį į jos poliarizaciją (+ ir -).
- Nenaudokite skirtingų baterijų tuo pačiu laiku - senų ir naujų, standartinių ir šarminių baterijų ir kt.
- Ilgesnį laiką nesinaudojant įrenginiu, išimkite iš jo baterijas.

ĮSPĖJIMAS

Įrenginiu neturėtų naudotis asmenys (įskaitant vaikus), turintys mažesnes fizines, juslines ar psichines galimybes, ir asmenys, neturintys pakankamai žinių ir patirties, jei jie nėra prižiūrimi asmenų atsakingų už jų saugą, ir nebuvo jiems nurodyta, kaip saugiai naudoti įrenginį. Suaugusių asmenų buvimas reikalingas, jei vaikai naudoja prietaisą; tai užtikrins saugų įrenginio naudojimą.

1. Niekada nepalikite veikiančio įrenginio be priežiūros. Išjunkite prietaisą, kai jis nenaudojamas, net trumpą laiką.
2. Prietaiso negalima valdyti per išorinį laikrodį su sinchronizavimo grandinėmis arba per atskirą nuotolinio valdymo sistemą.
3. Norėdami išvengti pavojaus maitinimo laido sužalojimo atveju, jį pakeisti turėtų gamintojas, įgaliotas aptarnavimo centras ar kitas kvalifikuotas asmuo.
4. Prieš pradėdami įrenginio naudojimą patikrinkite, ar jo įtampa atitinka vietos maitinimo įtampą.
5. Norėdami išvengti gaisro ar elektros smūgio, apsaugokite prietaisą nuo karštų vietų, lietaus, drėgmės ir dulkių poveikio.
6. Saugokite įrenginį nuo stipraus magnetinio lauko.
7. Draudžiama statyti įrenginį tiesiai ant stiprintuvo ar AV imtuvo.
8. Draudžiama statyti įrenginį drėgnoje vietoje, nes drėgmė neigiamai veikia elektrinius komponentus.
9. Kai įrenginys atnešamas iš šaltos į šiltą vietą arba į drėgną vietą, ant objektyvo, esančio grotuvo viduje, gali įvykti drėgmės kondensacija. Tokiu atveju įrenginys dirbs netinkamai. Palikite įrenginį maždaug vienai valandai, kad drėgmė išgaruotų.
10. Draudžiama valyti įrenginį cheminiais tirpikliais, nes jie gali pažeisti dengiamąjį laką. Prietaisą valykite švariu, sausu arba šiek tiek drėgnu skudurėliu.

DĖMESIO



Deklaracija

Šiuo Blaupunkt Competence Center 2N-Everpol Sp. z o.o. deklaruojama, kad šis įrenginys atitinka Direktyvos 2014/53 / ES reikalavimus ir kitas atitinkamas nuostatas. Visą atitiktą deklaraciją galite rasti interneto svetainėje www.blaupunkt.com gaminio skyriuje.

Atsakingas subjektas 2N-Everpol Sp. Z o.o.

Puławska 403A, 02-801 Warszawa, Polska

Telefonas: +48 22 688 08 00, e. paštas: info@everpol.pl



Produktas pagamintas iš aukštos kokybės medžiagų ir komponentų, kuriuos galima perdirbti ir pakartotinai naudoti.



Jei ant jūsų įrenginio yra perbrauktas šiukšlių dėžės ženklas su ratukais, tai reiškia, kad gaminiui taikomos Europos direktyvos 2012/19/ES nuostatos. Remdamiesi tuo, laikykitės vietinių taisyklių ir susipažinkite su vietinės elektros ir elektroninės atliekų surinkimo sistemos reikalavimais, o šio gaminio atveju jų laikykitės.

NEIŠMESTI ŠIO GAMINIO SU BUITINIŲ ATLIEKŪMIS!

ŠIAME GAMINĖJE YRA PAVOJINGŲ MEDŽIAGŲ, MIŠINIŲ IR KOMPONENTŲ, KURIE NETEISUS GALI BŪTI GALIMO POVEIKIO GAMTINAI APLINKAI IR ŽMONIŲ SVEIKATAI ŠALTINIS!

Tinkamai išmesdami panaudotą gaminį išvengsite neigiamo poveikio aplinkai ir žmonių sveikatai.



Šiame įrenginyje yra baterijos, kurioms taikoma Europos direktyva 2006/66/EC. Baterijas draudžiama išmesti kartu su buitinėmis atliekomis. Privaloma susipažinti su vietos atskirų medžiagų rinkimo reglamentus, nes dėl teisingo šalinimo bus išvengta galimų neigiamų pasekmių aplinkai ir žmonių sveikatai.

Informacija apie aplinkos apsaugą

Pakuotėje yra tik būtini elementai. Buvo imtasi visų pastangų, kad būtų galima lengvai atskirti tris pakuotės sudedamąsias dalis: kartoną (dėžė), polistirolo putplastį (apsauginė dangą) ir polietileną (krepšeliai, apsauginis lakštas). Prietaisas pagamintas iš medžiagų, kurios gali būti perdirbamos ir pakartotinai panaudotos, kai jas išmontuoja specializuota įmonė. Privaloma laikytis vietinių pakavimo medžiagų, sunaudotų baterijų ir nereikalingų įrenginių šalinimo taisyklių.

Medžiagų įrašymui ir atkūrimui gali reikėti sutikimo. Žr. autorių teisių ir atlikėjų/artistų teisių įstatymą.

Pastaba apie ERP2 (su energija susijusią įrangą)

Šis ekologinio projektavimo įrenginys atitinka Komisijos reglamento (EB) Nr. 1275/2008, kuriuo įgyvendinama Direktyva 2009/125/EB dėl nenaudojamų ir budėjimo režimo elektroninių prietaisų energijos vartojimo biure ir buities reikmėms, 2 etapui.

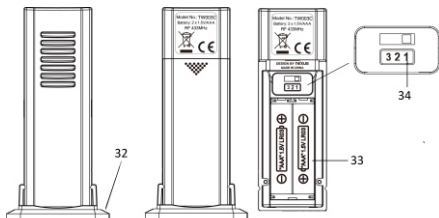
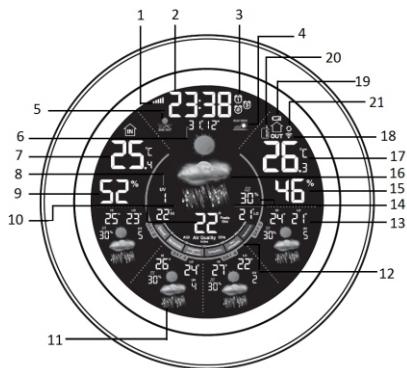
Dēkojame, kad įsijigote mūsų meteoroloģinę stotelę. Šis modelis turi šias funkcijas.

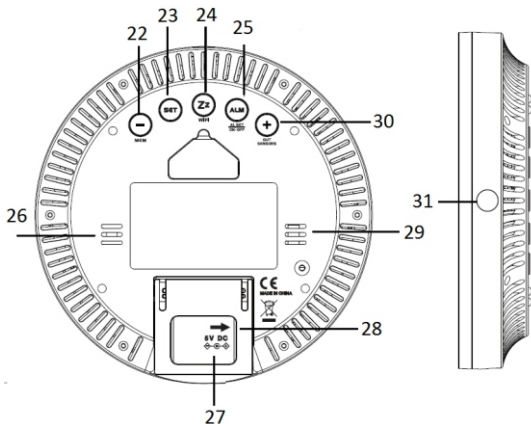
Funkcijos

- „Tuya“ programėlės palaikymas
- 5 dienų orų prognozė, UV spinduliuotės indeksas, žemiausia/aukščiausia temperatūra
- Vidaus/lauko temperatūra
- Vidaus/lauko drėgnumas
- Vidaus/lauko drėgnumas
- Žadintuvas su snaudimo funkcija
- Palaiko iki 3 išorinių belaidžių jutiklių, siunčiančių signalus skirtingais kanalais (1 jutiklis komplektacijoje)
- Šiluminio komforto kambarėje indikatorius
- Barometras

Prašome atidžiai susipažinti su šia instrukcija ir ją perskaityti prieš pradėdami naudoti prietaisą. Išsaugokite instrukciją, kad galėtumėte peržiūrėti ateityje.

Vaizduoklis ir valdymo elementai





- 1- „Wi-Fi“ signalo piktograma 2- Laikrodis 3- Žadintuvas 1/2/3 4- Saulėtekio piktograma
 5- Saulėlydžio piktograma 6- Kalendorius 7- Vidaus temperatūra 8- UV indeksas
 9- Vidaus drėgnumas 10- Juntama temperatūra ir PM2,5 indeksas (rodomi ekrane pakaitomis)
 11- Orų prognozė 12- Oro kokybės indeksas 13- Žemiausia ir aukščiausia temperatūros vertė
 14- Lietūs 15- Išorinė drėgmė 16- Orų prognozė 17- Išorės temperatūra
 18- Išorinio belaidžio jutiklio signalo piktograma
 19- Išsikrovusio belaidžio jutiklio akumuliatoriaus indikatorius. (Jei rodoma ši piktograma, pakeiskite išorinio jutiklio bateriją nauja).
 20- Išorinio belaidžio jutiklio numeris
 21- Įjungtos automatinio ekrano slinkimo funkcijos piktograma
 22- Atminties mygtukas MEM ir „-“ 23- Nustatymų mygtukas SET
 24- Snaudimo ir „Wi-Fi“ signalo mygtukas
 25- Mygtukas, skirtas nustatyti, įjungti ir išjungti =adintuvo ALM signalą
 26- Ventilacijos angos 27- DC-IN maitinimo lizdas 28- Sulankstomas stovas
 29- Ventilacijos angos 30- Mygtukas „+“ ir išorinių jutiklių kanalų keitimas
 31- Automatinio apšvietimo jutiklio langas 32- Kabiklis
 33- Belaidžio jutiklio baterijos skyrius 34- Išorinio jutiklio kanalo numerio jungiklis


Maitinimo prijungimas

Prijunkite pateiktą kintamosios srovės / nuolatinės srovės adapterį prie buitinio kintamosios srovės lizdo, prijunkite adapterio nuolatinės srovės jungtį prie nuolatinės srovės maitinimo lizdo, esančio galinio skydelio šone, o maitinimo laidą iškiškite pro sulankstomo stovo centrinę angą. Ekranas užsidsigs ir įrenginys bus paruoštas naudoti.

Atidarykite išorinio belaidžio jutiklio baterijų skyriaus dangtelį, įdėkite į skyrių 2 AAA tipo baterijas (nepateiktos), laikydamiesi taisyklingo poliškumo, nurodyto skyriuje.


Rekomenduojame naudoti aukštos kokybės šarmines baterijas, kad gaminys veiktų efektyviausiai. Nerekomenduojama naudoti didelio galingumo baterijų arba įkraunamų baterijų.

Signalo priėmimas iš išorinio belaidžio jutiklio

Tinkamai prijungus maitinimo šaltinį, meteorologinė stotelė automatiškai aptinka ir priima signalą iš lauko temperatūros ir drėgmės matavimo išorinio belaidžio jutiklio. Signalo paieška užtruks ne ilgiau kaip 3 minutes. Paieškos metu belaidžio jutiklio signalo priėmimo indikatorius (šalia išorinio jutiklio kanalo numerio piktogramos) mirksi ir stabilizuojasi, kai signalas  priimamas sėkmingai. Jei stotis negauna signalo iš išorinio jutiklio, signalo priėmimo indikatorius dings po 3 minučių ir vaizduoklyje vietoj temperatūros ir išorinės drėgmės duomenų bus rodomas šis simbolis: „-“. Jei reikia iš naujo prijungti jutiklį, paspauskite ir 3 sekundes palaikykite išorinio jutiklio kanalo pasirinkimo mygtuką (30), esantį pagrindinio įrenginio gale. Prietaisas dar kartą nuskaitys ir vieną po kito priima signalą iš vieno ar kelių galimų jutiklių.

Prietaiso padėtis ir kitos pastabos

1. Svarbu: Meteorologinė stotelė gali susijungti ir dirbti su daugiausiai 3 išoriniais jutikliais (komplektacijoje yra tik vienas jutiklis). Jei turite 2 arba 3 belaidžius jutiklius, kiekvienas iš jų turi būti nustatytas skirtingame siuntimo kanale, kad jie veiktų vienu metu. Norėdami patikrinti ir pakeisti kanalą (galimi 3 kanalai), atidarykite belaidžio jutiklio baterijų skyrių ir mygtuku CH nustatykite jutiklį į atitinkamą kanalą. Trumpai paspauskite kanalo pasirinkimo mygtuką (CH) meteorologinės stotelės skydelyje, kad patikrintumėte ir perjungtumėte duomenis iš visų susietų belaidžių išorinių jutiklių.

Trumpai paspaudus išorinio jutiklio kanalo mygtuką (30) galiniame skydelyje, galima patikrinti ir perjungti įvairių išorinių belaidžių jutiklių duomenis. Keletą kartų paspauskite šį mygtuką, kol pasirodys piktograma „“, kad pakaitomis būtų rodomi visų prijungtų jutiklių temperatūros ir drėgmės duomenys. Norėdami atšaukti funkciją, dar kartą paspauskite mygtuką.

2. Padėkite ir naudokite meteorologinę stotelę ir išorinį jutiklį 1,5-2 metrų atstumu nuo trukdžių šaltinių, pvz., kompiuterio monitorių ar televizorių. Meteorologinę stotelę taip pat reikėtų statyti atokiau nuo langų su metaliniais rėmais.

3. Nenaudokite kitų elektroninių gaminių, pvz., ausinių ar garsiakalbių, veikiančių tuo pačiu signalo dažniu (433 MHz), nes jie gali sukelti trikdžių. Atkreipkite dėmesį, kad jei jūsų kaimynai naudoja elektrinius prietaisus, veikiančius tuo pačiu signalo dažniu (433 MHz), jie taip pat gali trukdyti tinkamą veikimą.

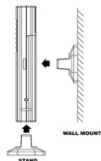
4. Norėdami užtikrinti tikslių patalpos temperatūros matavimą, meteorologinę stotelę pastatykite sausoje vietoje, kurioje nebūtų purvo ir dulkių. Pasirinkite vietą toliau nuo tiesioginių saulės spindulių ir kitų šilumos šaltinių, taip pat toliau nuo ventiliacijos angų.

5. Belaidį jutiklį galima įrengti lauke. Kad matavimas būtų kuo tikslesnis, pastatykite jutiklį vertikaliajoje padėtyje, bent 1,5 ~ 2 metrų atstumu nuo žemės, nuo lietaus apsaugotoje ir gerą oro cirkuliaciją turinčioje vietoje. Saugokite jutiklį nuo ilgo tiesioginių saulės spindulių veikimo.

6. Maksimalus belaidžio jutiklio darbinis atstumas yra 80 metrų nuo meteorologinės stotelės be tarpinių kliūčių.

7. Signalas iš belaidžio jutiklio siunčiamas į stotį kas 114 sekundžių (1 kanalas), 134 sekundes (2 kanalas), 158 sekundes (3 kanalas).

8. Jutiklį galite pastatyti vertikaliai arba pritvirtinti prie sienos, kaip parodyta toliau.



„Tuya“ programėlės diegimas ir konfigūravimas

Svarbu: Prieš atsisąsdami „Tuya“ programėlę ir prijungdami prietaisą prie „Wi-Fi“ tinklo, įsitikinkite, kad jūsų išmanusis telefonas prijungtas prie 2,4G „Wi-Fi“ tinklo arba 2,4/5G hibridinio tinklo, ir įjunkite „Bluetooth“ funkciją. Prietaisas nepalaiko 5GHz tinklo.

„TUYA smart“ programėlė: Naudodami savo išmanųjį telefoną nuskaitykite toliau pateiktą QR kodą ir atsisąskite į savo prietaisą programėlę „Tuya smart“ (priklausomai nuo „IOS“ arba „Android“ sistemos). Taip pat galite ieškoti „Tuya smart“ programėlės „Apple“ arba „Google Play“ parduotuvėje ir ją atsisiųsti. Tada paleiskite programėlę savo prietaise, patikrinkite ir pažymėkite reikiamus sutikimus, užsiregistruokite arba prisijunkite prie savo paskyros, kaip nurodoma išmaniojo telefono ekrane.




For Android



For iOS

„Wi-Fi“ susiejimas ir konfigūravimas:

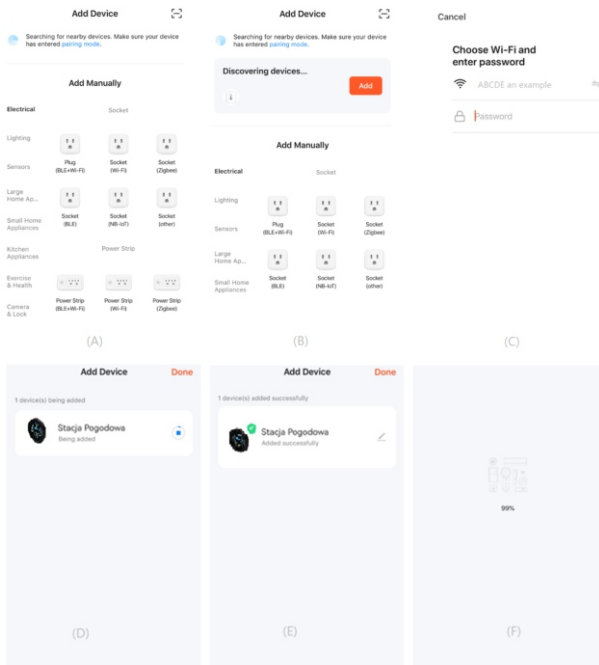
Įjunkite meteorologinę stotelę. 3 sekundes palaikykite įspaustą viršutinį galiniame skydelyje esantį „Wi-Fi“ mygtuką (24), ir įjunkite susiejimo režimą. Vaizduoklyje pradės  tinklo simbolis. Atidarykite išmaniąją programėlę „Tuya“ savo įrenginyje, bakstelėkite „Pridėti įrenginį“ (A nuotrauka) ir ieškokite prietaiso programėlėje (galite prašyti priegosis prie vietos, sutikite), patikrinkite prietaiso aptikimo sąrašą ir bakstelėkite „Pridėti“ (žr. B nuotrauką), pasirinkite namų „Wi-Fi“ tinklo pavadinimą ir įveskite pageidaujimą slaptažodį. Meteorologinė stotelė susisies su programėle, tada paspauskite mygtuką „Atlikta“ (žr. D ir E nuotr.). Programa paleis konfigūraciją ir nusiųs vietinę 5 dienų orų prognozę/UV indeksą/temperatūros duomenis ir t. t. į meteorologinės stotelės vaizduoklį. Jei reikia, paspauskite ir palaikykite „Wi-Fi“ mygtuką, kad iš naujo nustatytumėte „Wi-Fi“ ryšį tarp programos ir įrenginio, tada vadovaukitės pirmiau pateiktais nurodymais ir atkurkite ryšį.

Meteorologinės stotelės valdymas su „TUYA“ programėle

Žadintuvas/snaudimas: Programėlėje galite nustatyti 3 žadintuvus. Žadintuvo signalas įjungiamas garsiniu signalu nustatytu laiku. Trumpas bet kurio mygtuko paspaudimas gali atšaukti žadintuvo garsą ir kitą dieną žadintuvas vėl skambės tuo pačiu metu.

Trumpai paspaudus snaudimo režimo mygtuką (24), įrenginys įjungiamas į snaudimo režimą. Pasibaigus nustatytam snaudimo laikui, pasigirs žadintuvo garsinis signalas. Žadintuvo signalas skambės 5 minutes ir automatiškai išsijungs, jei nebus atlikti tolesni veiksmai.

Kita: Programėlėje (paspausdami atitinkamą mygtuką vaizduoklio apačioje) taip pat galite nustatyti, kad būtų pranešama, kai viršyta vidaus ir lauko temperatūros riba, gauti temperatūros/vidaus ir lauko drėgmės grafiko kreivę ir pasirinkti temperatūros vienetą °C (Celsijaus laipsniai) arba °F (Farenheito laipsniai). Jei nustatysite ir suaktyvinsite temperatūros ribos aliarmą, jei išmatuota temperatūra viršys nustatytą ribą, prietaisas skleis įspėjimą signalą. Trumpai paspauskite viršutinį snaudimo mygtuką, kad atšauktumėte šį signalą, tačiau temperatūros duomenys mirksės vaizduoklyje, kol išmatuota temperatūra nebeviršys nustatytų ribų.



Dėmesio:

- Tiek meteorologinė stotelė, tiek išmanusis telefonas su įdiegta programėle turi būti prijungti prie to paties „Wi-Fi“ tinklo.
- Jei ištrauksite išmanųjį telefoną iš „Wi-Fi“ zonos, meteorologinė stotelė galės prisijungti ir dirbti tiesiogiai su jūsų „Wi-Fi“ tinklu.
- Jei pakeisite „Wi-Fi“ tinklą arba „Wi-Fi“ slaptažodį, vėl susiekite meteorologinę stotelę su išmaniuoju telefonu. Pirmiausia galite ištrinti prietaisą iš „Tuya“ programėlės, tada vėl jį susieti, kaip aprašyta anksčiau šioje instrukcijoje.
- Jei vaizduoklyje rodoma ne visa orų prognozės informacija, pabandykite atidaryti „Tuya“ programėlę, ją atnaujinti ir iš naujo susieti su meteorologine stotele.
- Įrenginį galite pervadinti bakstelėję pieštuko piktogramą (paprastai šalia prietaiso pavadinimo) programoje.
- Orų prognozės stotelė taip pat palaiko „Smart Life“ programėlę. Galite eiti į „Apple Store“ arba „Google Play“ ir rasti programėlę „Smart Life-Smart Living“, kad ją atsisiųstumėte. Ryšys su programėle yra panašus į TUYA programėlės ryšį.



DĖMESIO

Kai orų prognozės stotelė jau kurį laiką, atjungus maitinimo šaltinį ir greitai jį vėl prijungus, temperatūros rodmens bus aukštesni, o drėgmės – žemesni (dėl įrenginio viduje likusios šilumos). Tiesiog palikite meteorologijos stotelę įjungtą dar 15-30 minučių ir temperatūros bei drėgmės rodmens vėl taps stabilūs ir tikslius.

Įjungus oro kondicionierių arba elektrinį ventiliatorių link orų prognozės stotelės, gali šiek tiek sumažėti patalpos temperatūros rodmuo.

Rankiniai sistemos nustatymai: paspauskite ir palaikykite nustatymo mygtuką (23), kol ekrane pradės mirksėti valandos skaitmuo, paspauskite + arba - mygtuką, kad nustatytumėte valandą, trumpai paspauskite nustatymo mygtuką, kad pereitumėte prie minučių nustatymo, atlikite likusius minučių / laikrodžio formato – 12 ir 24 valandų / metų / mėnesio / dienos / mėnesio ir datos formato / temperatūros vieneto / jautrios temperatūros arba PM2 nustatymus, atlikite tą patį veiksma kaip ir nustatant laikrodžio valandas.5 / oro slėgio vienetas / šviesos jutiklis (įjungtas / išjungtas) / snaudimo laikas (5 ~ 60 minučių). Paspauskite ir palaikykite + arba - mygtuką, kad pagreintumėte nustatymą. Norėdami baigti ir išėiti iš nustatymų, paspauskite „set“ mygtuką. Palikus įrenginį 10 sekundžių neatliekant jokių veiksmų, nustatymo procedūra bus nutraukta.








Rankinis žadintuvo nustatymas: paspauskite ir palaikykite žadintuvo mygtuką (25), kol ekrane pradės žybsėti žadintuvo 1 piktograma ir valandos skaitmuo, paspauskite + arba - mygtuką, kad nustatytumėte žadintuvo laiką. Dar kartą paspauskite žadintuvo mygtuką, kad pereitumėte prie žadintuvo minučių nustatymo. Tokia pačia operacija kaip ir žadintuvo valandos nustatymas atlikite likusių žadintuvo minučių / žadintuvo režimo nustatymus (pagal datą (1-7) ir darbo dieną (1-5) bei savaitgalį (6-7)); tada tęskite žadintuvo 2 / žadintuvo 3 signalo nustatymą, t. y. tą patį veiksma kaip ir nustatant žadintuvo 1 signalą. Paspauskite ir palaikykite + arba - mygtuką, kad pagreintumėte nustatymą. Norėdami baigti ir išėiti iš nustatymų, dar kartą paspauskite žadintuvo mygtuką. Trumpai paspauskite žadintuvo mygtuką, kad įjungtumėte žadintuvą 1; kelis kartus paspauskite žadintuvo mygtuką, kad įjungtumėte arba išjungtumėte kitus

žadintuvus, ir ekrane pasirodys atitinkama žadintuvo piktograma. Įsitinkinkite, kad nustačius žadintuvą ekrane rodoma žadintuvo piktograma, kitaip žadintuvo funkcija neveiks.

Žadinimas ir snaudimas: Atėjus nustatytam žadintuvo laikui, orų prognozės stotelė skleis garsinį signalą. Ekrane pradės žybsėti atitinkama pavojaus signalo piktograma. Paspauskite žadintuvo mygtuką, kad atšauktumėte žadintuvo garsą, ir kitą dieną žadintuvus skambės tuo pačiu laiku. Norėdami laikinai atšaukti žadintuvo garsą, paspauskite snaudimo mygtuką, žadintuvus vėl skambės pagal nustatytą snaudimo laiką. Žadintuvo signalas skamba 5 minutes ir automatiškai išsijungia, jei nesiimama jokių veiksmų.

Automatinis šviesos jutiklis: Orų prognozės stotelėje rengtas automatinis šviesos jutiklis. Ekranu ryškumas ir bus automatiškai reguliuojamas atsižvelgiant į apšvietimo sąlygas patalpoje. Ekranu apšvietimo reguliavimas: Kai šviesos jutiklis yra išjungtas. Paspauskite snaudimo mygtuką, kad pasirinktumėte ekranu ryškumą HI (didelis), MED. (vidutinis) arba LO (mažas). Saulėtekio ir saulėlydžio laikas: laiko rodymo režime paspauskite nustatymo mygtuką (23), kad patikrintumėte saulėtekio laiką, ir paspauskite jį dar kartą, kad patikrintumėte saulėlydžio laiką. 3 kartus paspauskite nustatymo mygtuką, kad pakaitomis pasikeistų saulėtekio ir saulėlydžio laikai. Norėdami grįžti į standartinį režimą, dar kartą paspauskite nustatymo mygtuką.

Orų prognozės indikatoriaus

				
Saulėta	Dalinis debesuotumas	Debesuota	Lietinga	Audra
				
Vėjuota	Rūkas	Rūkas	Šalna	

Didžiausia ir mažiausia temperatūra bei drėgmė viduje ir lauke: Laiko rodymo režime vieną kartą paspauskite mygtuką „-“ (22), kad ekrane būtų rodomi didžiausios vidaus ir lauko temperatūros bei drėgmės įrašai, o ekrane būtų rodomos piktogramos „MAX“. Dar kartą paspauskite mygtuką „-“, kad būtų rodomi minimalios vidaus ir lauko temperatūros bei drėgmės įrašai, o ekrane būtų rodomos piktogramos „MIN“.

Kai rodomos didžiausios arba mažiausios vertės, paspauskite ir palaikykite mygtuką „-“, kad iš naujo nustatytumėte abu įrašus (mažiausią ir didžiausią), ir įrenginys vėl pradės įrašinėti didžiausias ir mažiausias vertes.

Oro kokybės indikatorių (AQI/EPA)

Oro kokybė	Oro kokybės indikatorių	Kas turėtų tuo susirūpinti?
Turtas	0-50	Tai puiki diena veiklai lauke.
Vidutinė	51-100	Kai kurie žmonės gali būti labai jautrūs užterštumui dalelėmis. Pažeidžiamos grupės: Apsvarstykite galimybę apriboti ilgalaikį ar sunkų fizinį krūvį. Visi kiti: Tai gera diena leisti laiką lauke.
Nesveika jautriems žmonėms	101-150	Pažeidžiamoms grupėms priklauso širdies ir plaučių ligomis sergantys žmonės, pagyvenę žmonės, vaikai ir paaugliai. Pažeidžiamoms grupėms: reikėtų riboti ilgalaikį ar sunkų fizinį krūvį.
Kenksminga	151-200	Pažeidžiamos grupės: Reikėtų vengti ilgalaikio ar sunkaus fizinio krūvio. Visi kiti: Sumažinkite ilgalaikį ar sunkų fizinį krūvį. Darykite daugiau pertraukų užsiimdami bet kokia veikla lauke.
Labai kenksminga	201-300	Pažeidžiamos grupės: reikėtų vengti bet kokios fizinės veiklos lauke. Visi kiti: venkite ilgalaikio ar sunkaus fizinio krūvio.
Pavojinga	301-500	Pažeidžiamoms grupėms: likite namuose ir išlaikykite mažą fizinio aktyvumo lygį. Visi Venkite bet kokios fizinės veiklos lauke.

Problemų sprendimas

Trūksta informacijos vaizduoklyje	<ul style="list-style-type: none"> ✧ Patikrinkite, ar kintamosios ir nuolatinės srovės maitinimo šaltinis tinkamai prijungtas prie prietaiso.
Temperatūra/drėgnumas iš išorinio jutiklio nerodoma.	<ul style="list-style-type: none"> ✧ Patikrinkite, ar atstumas tarp stotelės ir jutiklio neviršija 30 m (rekomenduojama). ✧ Įsitikinkite, kad stotelės ir jutiklis yra bent 2 m atstumu nuo monitorių ir televizorių. ✧ Venkite prietaisus statyti ant metalinių langų rėmų arba šalia jų. ✧ Nenaudokite stotelių šalia elektroninių įrenginių, pvz., garsiakalbių, kurie veikia tuo pačiu dažniu (433 MHz). ✧ Atidžiai patikrinkite, ar pateikti 3 belaidžiai jutikliai nustatyti skirtinguose kanaluose. ✧ Išimkite baterijas, truputį palaukite ir vėl jas įdėkite.
Nerodoma jokia orų prognozės informacija	<ul style="list-style-type: none"> ✧ Pabandykite atnaujinti ryšį tarp meteorologinės stotelės ir „Tuya“ programėlės. ✧ Pabandykite vėl susieti meteorologinę stotelę ir „Tuya“ programėlę.

Techniniai duomenys**Temperatūrų diapazonas**

Viduje: -10°C/14°F-50°C/122°F (jei rodmenys yra už šio intervalo ribų, ekrane rodoma HH.H / LL.L)

Išorėje: -40°C/-40°F-60°C/140°F (jei rodmenys yra už šio intervalo ribų, ekrane rodoma HH.H / LL.L)

Drėgnumo diapazonas

Viduje: 1 %-99 % (jei rodmenys yra už šio diapazono ribų, ekrane rodomas HH.H / LL.L)

Išorėje: 1 %-99 % (jei rodmenys yra už šio diapazono ribų, ekrane rodomas HH.H / LL.L)

Temperatūros skiriamoji geba: 0,2 °F / 0,1 °C

Vidinės temperatūros rodmenų tikslumas: +/- 1°C

Lauko temperatūros rodmenų tikslumas: +/- 1°C

RH% skiriamoji geba: 1%

Vidinės drėgmės rodmenų tikslumas ir išorinės drėgmės rodmenų tikslumas: 30 % ~ 70 % ± 5 %

Už šių ribų: ±7%

Laiko formatas: 24 valandos

Laikas 0:00

Žadintuvas 1, 2. Ir 3: 6:00 val. ryto

Žadintuvo signalo veikimo laikas: 5 minutės

Snaudimo trukmė: 5 minutės

Kalendorius: Data-Mėnuo / Mėnuo-Data

Laiko formatas: 12/ 24 valandos

Temperatūra: °C/°F

Oro slėgis: hPa / inHg

PM 2,5: 0 - 999 ug/m³

Perdavimo dažnumas: 433 Mhz

Perdavimo diapazonas: 50 m (atvira erdvė)

(Dėmesio: produkto specifikacija gali būti keičiama be išankstinio įspėjimo).

Pomembni podatki

- Shranite ta navodila za uporabo in poročila o varnosti, ker jih boste lahko potrebovali v prihodnosti.
- Ne dovolite, da se na napravo razlije oziroma nanjo kaplja tekočina.
- Naprave ne uporabljajte v vlažnih prostorih, kot je na primer kopalnica.
- Naprave ne smete namestiti na naslednji način:
- Naprava ne sme biti izpostavljena neposrednemu vplivu sončnih žarkov oz. se ne sme nahajati v bližini grelcev.
- Naprava se ne sme postaviti na drugo stereofonsko napravo, ki oddaja toploto.
- Naprava ne sme ovirati prezračevanja oz. se ne sme nahajati v zaprašenem prostoru.
- Naprava ne sme biti izpostavljena stalnim vibracijam.
- Naprava se ne sme nahajati v prostorih z visoko vlažnostjo.
- Naprava se ne sme nahajati v bližini sveč ali odprtega ognja.
- Napravo uporabljajte le na način, opisan v teh navodilih.
- Pred prvim vklopom napajanja se je treba prepričati, da je napajalnik pravilno priklopljen.

Zaradi varnosti ni dovoljeno razstavljanje ohišja oz. pronicanje v notranjost naprave. Napravo lahko popravi le usposobljeno servisno osebje.

Ne razstavlajte in ne odpirajte ohišja naprave, kajti noter ni delov, ki bi jih lahko popravil uporabnik. Vzdrževalna dela in popravila lahko opravljajo le usposobljeni serviserji.

POROČILA O VARNOSTI

1. Preberite navodila za uporabo – pred uporabo naprave je treba prebrati vsa navodila za uporabo in poročila o varnosti.
 2. Shranite navodila za uporabo – navodila za uporabo je treba shraniti za primer kasnejše uporabe.
 3. Upoštevajte opozorila – ukrepajte skladno z vsemi opozorili, ki jih vidite na napravi ter z opozorili, omenjenimi v navodilih za uporabo.
 4. Sledite navodilom – ukrepajte skladno z navodili za uporabo in nasveti za uporabnika.
 5. Namestitvev – napravo postavite skladno s proizvajalčevimi navodili.
 6. Viri napajanja – napravo napajajte izključno iz virov, ki odgovarjajo parametrom, navedenim na napajalnem kablu. Če niste prepričani, kakšno napajanje imate doma, obrnite se na prodajalca naprave oz. lokalnega dobavitelja električne energije.
 7. Voda in vlaga – da bi zmanjšali tveganje požara ali električnega udara, naprave ne izpostavite neposrednemu vplivu dežja, vode in vlage, na primer ne postavite je v savni ali kopalnici. Te naprave ne smete uporabljati v bližini vode, na primer zraven kadi, umivalnika, korita oz. škafo, v vlažni kleti oz. v bližini bazena (in podobnih mest).
 8. Predmeti in tekočine v napravi – skozi odprtine v napravi ne potiskajte nobenih predmetov, saj se tisti predmeti lahko dotaknejo točk z nevarno napetostjo in s komponentami, kar lahko privede do požara oz. električnega udara. Nikakor ne razlijte nobenih tekočin na površino naprave. Na napravo ne smete postaviti predmetov, ki vsebujejo tekočine.
 9. Servisiranje - naprave ne smete servisirati samostojno. Po odpiranju ohišja je uporabnik izpostavljen visoki napetosti in drugi nevarnosti. Vzdrževalna dela in popravila lahko opravljajo le usposobljeni serviserji.
 10. Nadomestni deli – ob zamenjavi delov je treba preveriti, ali je serviser uporabil nadomestne dele proizvajalca oz. ali nadomestni deli ustrezajo originalnim delom. Uporaba nepotrjenih delov lahko privede do požara, električnega udara oz. drugih nevarnih razmer.
 11. Maksimalna temperatura v prostoru, kje je naprava, je 35 °C.
 12. Nasveti glede električnih razelektritev – če delovanje naprave motijo električne razelektritev, je treba napravo izklopiti in ponovno vklopiti oz. jo prestaviti na drugo mesto.
 13. Baterija
- a. Baterije ne smejo biti izpostavljene vplivu prekomerne toplote, npr. sončnih žarkov, ognja idr.
b. Pri odstranjenju baterij je treba biti posebno pozoren na okoljevarstvena vprašanja.

c. Opozorilo glede uporabe baterije: da se prepreči puščanje baterije, ki lahko privede do poškodb telesa oz. naprave:

- Ob namestitvi baterij pazite na polarizacijo (+ in -).
- Skupaj ne smete uporabljati novih in starih baterij, standardnih in alkalnih idr.
- Če naprave več časa ne uporabljate, odstranite baterije.

OPOZORILO

Naprave ne smejo uporabljati osebe (vključno z otroki) z zmanjšano fizično, senzorično ali mentalno sposobnostjo ali brez izkušenj oz. znanja, razen če so pod nadzorom osebe, ki je odgovorna za njihovo varnost, oz. če so se poučile z navodili o varni uporabi naprave. Prisotnost odraslih je obvezna, če napravo uporabljajo otroci. S tem se lahko zagotovi varna uporaba naprave.

1. Vključene naprave ne smete pustiti brez nadzora! Napravo izklopite, tudi če naprava le nekaj časa počiva.
2. Naprave ne smete uporabljati preko zunanje ure s časovnim sistemom oz. preko ločenega sistema z daljinskim upravljanjem.
3. Da bi se izognili nevarnosti v primeru poškodovanja napajalnega kabla, zamenjave lahko opravi le proizvajalec, pooblaščen servisno podjetje oz. ustrezno usposobljen strokovnjak.
4. Pred začetkom uporabe naprave je treba preveriti, ali napetost naprave ustreza napetosti lokalnega električnega omrežja.
5. Da se prepreči nastajanje požara ali nevarnost električnega udara, napravo zaščitite pred vročino, vplivom dežja, vlage in praha.
6. Naprave ne izpostavite močnemu magnetnemu polju.
7. Naprave ne postavite neposredno na ojačevalnik ali sprejemnik.
8. Naprave ne postavite na vlažno mesto, ker ima vlaga negativni vpliv na električne komponente.
9. Ko napravo prestavite iz hladnega prostora v tople oz. vlažen prostor, lahko pride do kondenzacije vlage na leči znotraj predvajalnika. To lahko povzroči nepravilno delovanje naprave. Napravo pustite vklopljeno vsaj na eno uro, da vlaga izpari.
10. Naprave ne čistite s kemijskimi topili, ker se lahko na ta način poškoduje lakirana površina ohišja. Napravo obrišite s čisto, suho oz. rahlo navlaženo krpicco.

POZOR



Izjava

S tem Blaupunkt Competence Center 2N-Everpol Sp. z o.o. izjavlja, da je ta naprava v skladu z zahtevami in drugimi ustreznimi določili uredbe 2014/53/EU. Celotno izjavo o skladnosti si lahko ogledate na spletni strani www.blaupunkt.com v zavihku izdelka.

Odgovorni subjekt: 2N-Everpol Sp. Z o.o.

Puławska 403A, 02-801 Warszawa, Polska

Telefon: +48 22 688 08 00, e-naslov: info@everpol.pl



Naprava je izdelana iz visokokakovostnih materialov ter komponent, ki se lahko reciklirajo in ponovno uporabijo.



Če je na vaši napravi simbol prečrtanega smetnjaka, to pomeni, da je izdelek zajet v določbah evropske direktive 2012/19/EU. Na podlagi tega upoštevajte lokalne predpise in se seznanite z zahtevami za vaš lokalni sistem zbiranja električnih in elektronskih odpadkov ter jih, v primeru tega izdelka, upoštevajte.

TEGA IZDELKA NE ODVRŽITE Z GOSPODINJSKIMI ODPADKI!

TA IZDELEK VSEBUJE NEVARNE SNOVI, ZMESI IN KOMPONENTE, KI SO LAHKOV ČE NISO DOVOLJENE VIR POTENCIALNIH UČINKOV NA NARAVNO OKOLJE IN ZDRAVJE LJUDI!

Pravilno odlaganje uporabljenega izdelka bo preprečilo negativne vplive na okolje in zdravje ljudi.



Naprava je opremljena z baterijo, ki jo določa evropska smernica 2006/66/EC. Baterija se ne sme odstranjevati skupaj z gospodinjskimi odpadki. Treba se je seznaniti z lokalnimi predpisi za ločeno zbiranje odpadnih baterij, ker le ustrezna odstranitev preprečuje morebitne negativne učinke za okolje in človekovo zdravje.

Podatki za varovanje okolja

Komplet vsebuje samo potrebne elemente. Prizadevali smo si, da bodo vsi trije elementi embalaže lahko odstranljivi: karton (škatla), polistirenska pena (zunanja zaščita) in polietilen (vreče, zaščitna plast). Naprava je izvedena iz materialov, ki se lahko reciklirajo, ter jih lahko po demontaži s strani strokovnega podjetja ponovno uporabljamo. Upoštevati je treba lokalne predpise za odstranjevanje embalaž, porabljenih baterij ter nepotrebnih naprav. Za zapisovanje in predvajanje je treba obvezno pridobiti soglasje. Glej Zakon o avtorskih pravicah in pravicah izvajalcev/umetnikov.

Opomba glede ERP2 (naprav, povezanih z energijo)

Ta naprava z ekonačrtom izpolnjuje zahteve 2. etape Uredbe Komisije (ES) št. 1275/2008 o izvajanju Uredbe 2009/125/ES glede porabe energije o vzpostavitvi okvira za določanje zahtev za primerno okoljsko zasnovo izdelkov, povezanih z energijo.

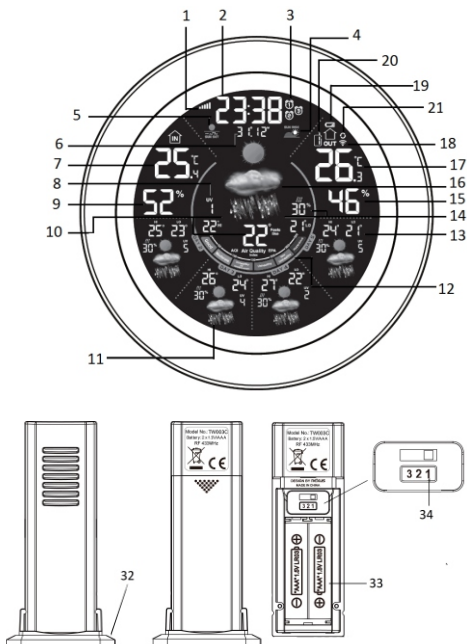
Zahvaljujemo se Vam za nakup naše vremenske postaje. Ta model ima naslednje funkcije.

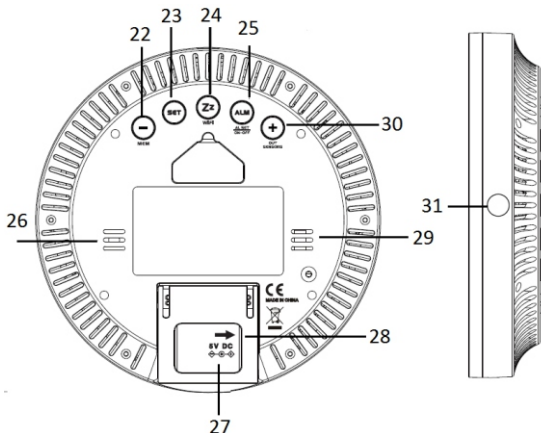
Funkcije

- Delovanje z uporabo aplikacije TUYA
- 5-dnevna vremenska napoved, indeks UV žarčenja, najnižja/najvišja temperatura
- Notranja/zunanja temperatura
- Notranja/zunanja vlažnost
- Alarm s funkcijo dremeža
- Podpora za do 3 zunanje brezžične senzorje, ki oddajajo signale na različnih kanalih (1 senzor je priložen)
- Indikator toplotnega ugodja v prostoru
- Barometer

Prosimo, da pred začetkom uporabe naprave natančno preberete ta navodila za uporabo in zagotovite skladnost z njimi. Prosimo, da navodila shranite za morebiti potrebno poznejšo uporabo.

Zaslon in krmilni elementi






- 1- Ikona signala Wi-Fi 2- Ura 3- Alarm 1/2/3 4- Ikona sončnega vzhoda
 5- Ikona sončnega zahoda 6- Koledar 7- Temperatura v prostoru 8- Indeks UV
 9- Vlažnost v prostoru
 10- Zaznavna temperatura in indeks PM2.5 (prikazana izmenično)
 11- Vremenska napoved 12- Indeks kakovosti zraka
 13- Najnižja in najvišja temperatura 14- Padavine 15- Vlažnost na prostem
 16- Vremenska napoved 17- Temperatura na prostem
 18- Ikona signala zunanje brezžičnega senzorja
 19- Indikator nizkega stanja baterije brezžičnega senzorja. (Če se prikaže ta ikona, zamenjajte baterijo zunanje senzorja z novo).
 20- Številka zunanje brezžičnega senzorja
 21- Ikona omogočenega samodejnega pomikanja zaslona
 22- Tipka za spomin MEM in »-« 23- Tipka za nastavitve (SET);
 24- Tipka za drež in signal Wi-Fi 25- Tipka za nastavitve, vklop in izklop alarma ALM
 26- Prezračevalne odprtine 27- Napajalna vtičnica DC - IN 28- Zložljiv podstavek
 29- Prezračevalne odprtine 30- Tipka »+« in za spremembo kanalov brezžičnih senzorjev
 31- Okence senzorja samodejne osvetlitve 32- Obešalnik
 33- Komora baterije brezžičnega senzorja 34- Stikalo za spremembo kanala zunanje senzorja

Priklop napajanja


Priloženi napajalnik AC/DC priključite na gospodinjstvo vtičnico AC, da dobite vir napajanja, priključek DC napajalnika pa priključite na vtičnico DC na strani zadnjega panela, napajalni kabel vstavite skozi sredinsko luknjo zložljivega podstavka. Prikazovalnik se bo prižgal, nato pa bo naprava pripravljena za uporabo.

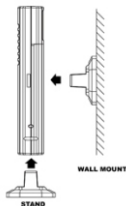
Odprite pokrov komore za baterije zunanje brezžičnega senzorja in v komoro vstavite 2 bateriji AAA (nista priloženi) v skladu s pravilno polariteto, prikazano v komori. Za najboljšo zmogljivost izdelka priporočamo uporabo visokokakovostnih alkalnih baterij. Uporaba težkih baterij ali baterij za ponovno polnjenje ni priporočljiva.

Sprejemanje signala z zunanjega brezžičnega senzorja

Po pravilni namestitvi baterije vremenska postaja samodejno zaznava in sprejema signaliziranje zunanje temperature in vlažnosti z brezžičnega zunanjega senzorja. Iskanje signala traja do največ 3 minute. Med iskanjem bo indikator sprejemanja signala brezžičnega senzorja  (v bližini ikone številke kanala zunanjega senzorja) utripal in se po uspešnem sprejemu signala stabiliziral. Če postaja ne sprejme signala z zunanjega senzorja, indikator sprejema signala po poteku 3 minut izgine in na zaslonu se namesto podatkov o zunanji temperaturi in vlažnosti prikaže naslednji simbol: "- -". Če morate ponovno priključiti senzor, pritisnite in za 3 sekunde pridržite tipko za izbiro kanala zunanjega senzorja (30) na hrbtni strani glavne enote. Naprava bo opravila ponovno skeniranje in sprejela signal z enega ali več razpoložljivih senzorjev enega za drugim.

Namestitev naprave in druge opombe

- 1. Pomembno:** Vremenska postaja se lahko poveže in deluje z do 3 zunanji senzorji (priložen je samo en senzor). Če imate 2 ali 3 brezžične senzorje, je treba vsakega od njih nastaviti na svojo oddajni kanal, da bodo lahko delovali hkrati. Če želite preveriti in spremeniti kanal (na voljo so 3 kanali), odprite prostor za baterije brezžičnega senzorja in z uporabo tipke CH nastavite senzor na ustrezeni kanal. S kratkim pritiskom tipke izbora kanala (CH) na stranski plošči vremenske postaje preverite podatke in preklapljanje med podatki iz seznanjenih brezžičnih zunanjih senzorjev. S kratkim pritiskom na tipko kanala zunanjega senzorja (30) na hrbtnem panelu lahko preverjate in preklapljate podatke iz različnih zunanjih brezžičnih senzorjev. Večkrat pritisnite to tipko, dokler se ne prikaže ikona  " za izmenični prikaz podatkov o temperaturi in vlažnosti iz vseh priključenih senzorjev. Ponovno pritisnite to tipko, da prekličete funkcijo.
2. Prosimo, da vremensko postajo in zunanji senzor postavite in uporabljate 1,5 ~ 2 metra stran od virov motenj, kot so računalniški monitorji in TV sprejemniki. Vremenska postaja se mora nahajati tudi stran od oken s kovinskimi okvirji.
3. Ne uporabljajte drugih elektronskih artiklov, kot so slušalke ali zvočniki, delujočih na isti frekvenci signala (433 MHz), saj lahko povzročijo motnje. Vedite, da lahko pravilno delovanje motijo tudi vaši sosedje, če uporabljajo elektronske naprave, delujoče na isti frekvenci signala (433 MHz).
4. Za zagotovitev natančnih meritev notranje temperature postavite vremensko postajo na suho mesto brez umazanije in prahu. Izberite zanjo mesto, ki bo stran od neposredne sončne svetlobe in drugih virov toplote ter stran od prezračevalnih odprtín.
5. Brezžični senzor lahko namestite na prostem. Za najboljšo možno natančnost merjenja postavite senzor v pokončen položaj in tako, da bo vsaj 1,5 ~ 2 metra od tal, namestite ga na mesto, zaščiten pred dežjem in z dobrim kroženjem zraka. Senzor ne sme biti dlje časa izpostavljen neposredni sončni svetlobi.
6. Delovna oddaljenost brezžičnega senzorja od vremenske postaje je lahko do največ 50 metrov, pod pogojem, da vmes ni ovir.
7. Signal se brezžičnega senzorja pošlje postaji na vsakih 114 sekund (kanal 1), 134 sekund (kanal 2), 158 sekund (kanal 3).
8. Senzor lahko postavite navpično ali ga namestite na steno, kot je prikazano spodaj.



Namestitev aplikacije TUYA in konfiguracija

Pomembno: Pred začetnom prenosa aplikacije TUYA in povezavo naprave z omrežjem Wi-Fi se prepričajte, da je vaš pametni telefon povezan z omrežjem Wi-Fi 2.4G ali hibridnim omrežjem 2.4/5G, vklopite tudi funkcijo Bluetooth. Naprava ne podpira omrežja 5GHz.


Aplikacija TUYA smart: S pametnim telefonom poskenirajte spodnjo kodo QR in si prenesite aplikacijo „Tuya smart“ (odvisno od sistema IOS ali Android) na vašo napravo. Aplikacijo Tuya Smart si lahko tudi poiščete tudi v trgovini Apple ali Google Play in si jo prenesete. Nato aktivirajte aplikacijo na vaši napravi, preverite in označite ustrezna soglasja, se registrirajte ali prijavite v svoj račun, skladno z navodili, ki se pojavljajo na zaslonu pametnega telefona.



For Android



For iOS

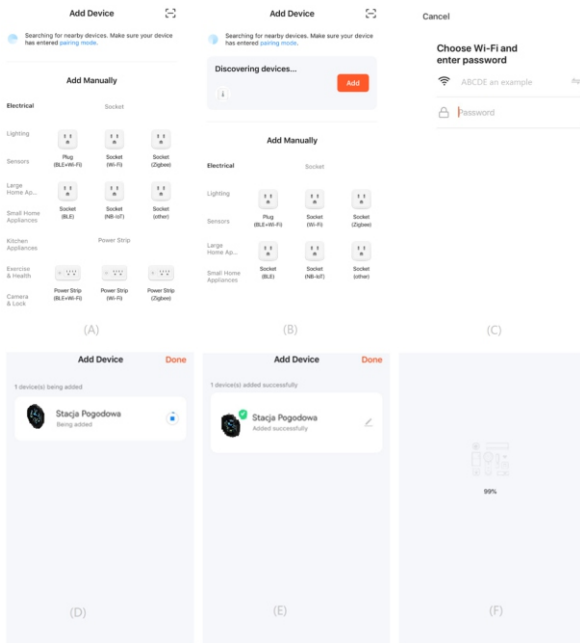
Seznanjanje in konfiguracija Wi-Fi: Vklopite vremensko postajo, pritisnite in 3 sekunde pridržite zgornjo tipko Wi-Fi (24) na hrbtnem panelu ter vstopite v način seznanjanja. Na zaslonu začne utripati simbol omrežja . Odprite aplikacijo Tuya Smart v svoji napravi, dotaknite se »Dodaj napravo« (slika A) in poiščite napravo v aplikaciji (lahko se pojavi prošnja za dostop do lokacije, v takem primeru dajte dovoljenje), preverite seznam zaznanih naprav in se dotaknite „Dodaj“ (glejte sliko B), izberite ime domačega omrežja Wi-Fi ter skladno z zahtevo vnesite geslo. Vremenska postaja se bo seznanila z aplikacijo, nato pritisnite tipko "Končano" (glejte slike D in E). Aplikacija bo začela s konfiguriranjem in bo poslala lokalno 5-dnevno napoved vremena/UV-indeks/podatke o temperaturi itd. na zaslon vremenske postaje. Po potrebi pritisnite in pridržite tipko Wi-Fi, da ponastavite povezavo Wi-Fi med aplikacijo in napravo, nato pa sledite zgornjim navodilom in vzpostavite novo povezavo.

Upravljanje vremenske postaje prek aplikacije TUYA

Alarm/dremež: V aplikaciji lahko nastavite 3 alarme. Alarm se aktivira kot zvočni signal ob nastavljenem času. S kratkim pritiskom na katerokoli tipko lahko preključete alarm, alarm se bo ponovno vklopil naslednjega dne ob isti uri.

S kratkim pritiskom na tipko za dremež (24) preklopite napravo v način dremeža. Alarm se sproži po izteku nastavljenega časa dremeža. Zvok alarma traja 5 minuti in se samodejno izklopil, če prej ne opravite nobenega nadaljnega koraka.

Drugo: V aplikaciji lahko (s pritiskom ustrezne tipke na spodnjem delu zaslona) nastavite tudi opozorilo o prekoračitvi limita notranje in zunanje temperature, aktivirate lahko prikaz grafa notranje in zunanje temperature/vlažnosti ter izberete ustrezno temperaturno enoto - °C (stopinje Celzija) ali °F (stopinje Fahrenheita). Če nastavite in vklopite opozorilo o prekoračitvi limita temperature, bo v situaciji, ko bo izmerjena temperatura preseгла nastavljeni limit, naprava oddala opozorilni signal. Na kratko pritisnite zgornjo tipko za dremež, da preključete ta zvočni signal, vendar bodo kljub temu podatki o temperaturi utripali na zaslonu, vse dokler izmerjena temperatura ne bo več izven nastavljenega limita.

**Pozor:**

- Vremenska postaja in pametni telefon z nameščeno aplikacijo morata biti povezana v isto omrežje Wi-Fi.
- Če svoj pametni telefon prenesete tako, da je izven dosega Wi-Fi, se lahko vremenska postaja poveže in deluje neposredno z vašim omrežjem Wi-Fi.
- V primeru spremembe omrežja Wi-Fi ali gesla za Wi-Fi, je potrebno, da ponovno seznanite vremensko postajo s svojim pametnim telefonom. Lahko najprej odstranite napravo iz aplikacije Tuya, nato pa jo znova seznanite na enak način, kot je opisano v teh navodilih zgoraj.
- V primeru izgube ali nepopolnosti informacij o napovedi vremena na zaslonu, poskusite odpreti aplikacijo Tuya, osvežiti in ponovno povezati vremensko postajo v aplikaciji.
- Ime naprave lahko spremenite tako, da se v aplikaciji dotaknete ikone svinčnika (običajno poleg imena naprave).
- Vremenska postaja podpira tudi aplikacijo Smart Life. Obiščite trgovino Apple Store ali Google Play in poiščete aplikacijo Smart Life-Smart Living za prenos. Povezava z aplikacijo je podobna kot pri aplikaciji TUYA.



POZOR

Če vremensko postajo nekaj časa uporabljate, lahko zaradi odklopa napajanja in hitrega ponovnega priklopa odčitate višjo temperaturo in nižjo vlažnost (zaradi preostale toplote v enoti). Preprosto pustite vremensko postajo vklopljeno še 15-30 minut in odčitki temperature in vlage bodo spet stabilni in natančni.

Vklop klimatske naprave ali električnega ventilatorja lahko povzroči rahlo znižanje odčitane sobne temperature.

Ročna nastavev sistema: pritisnite in pridržite tipko za nastavev (23), dokler na prikazovalniku ne začne utripati številka ure, pritisnite tipko + ali -, da nastavite uro, za prehod na nastavev minut na kratko pritisnite tipko za nastavev, z enakim postopkom kot pri nastavitvi ure opravite preostale nastavitve za minute/obliko prikaza ure -12 in 24 ur/leto/mesec/datum/oblika prikaza meseca in datuma/enote temperature/zaznavne temperature ali PM2.5/enote zračnega tlaka/senzorja svetlobe (vklop/izklop)/časa drema (5 ~ 60 minut). Pritisnite in pridržite tipko + ali -, da pospešite nastavev. Ponovno pritisnite tipko za nastavev, da končate in zaključite nastavev. Če napravo pustite 10 sekund brez kakršne koli operacije, se postopek nastavljanja zaključi.

Ročna nastavev alarma: pritisnite in pridržite tipko alarma (25), dokler na prikazovalniku ne začne utripati ikona alarma1 in številka ure, nato pritisnite tipko + ali -, da nastavite čas alarma. Ponovno pritisnite tipko za alarm, da preidete na nastavev minut alarma. Z enakim postopkom kot nastavev časa alarma dokončajte preostale nastavitve minut alarma/načinov alarma (po datumu (1-7) ter dnevih v tednu (1-5) in vikendu (6-7)); nato nadaljujte z nastavitvijo alarma 2/alarma 3, kar je enak postopek kot nastavev alarma 1. Pritisnite in pridržite tipko + ali -, da pospešite nastavev. Ponovno pritisnite tipko za alarm, da končate in zaključite nastavev. Za vklop alarma1 na kratko pritisnite tipko za alarm; za vklop ali izklop drugih alarmov večkrat pritisnite tipko za alarm, na prikazovalniku pa se prikaže ustrezna ikona alarma. Prepričajte se, da se po nastavitvi na prikazovalniku prikaže ikona alarma, sicer funkcija alarma ne bo delovala.

Zbujanje in dremež: Ko nastopi nastavljeni čas alarma, vremenska postaja odda zvočni signal. Na prikazovalniku bo začela utripati ustrezna ikona alarma. Pritisnite tipko za alarm, da prekličete zvok alarma, in alarm se bo naslednji dan oglasil ob isti uri. Pritisnite tipko za dremež, da začasno prekličete zvok alarma, ki se bo znova oglasil ob upoštevanju nastavljenega časa dremeža. Alarm traja 5 minut in se samodejno izklopi, če ne izvedete nobene operacije.

Samodejni senzor osvetlitve: Vremenska postaja je opremljena s samodejnim senzorjem osvetlitve. Svetlost prikazovalnika se samodejno prilagodi glede na svetlobne razmere v prostoru.

Prilagajanje osvetlitve prikazovalnika: Ko je senzor svetlobe nastavljen na izklopljeno. Pritisnite tipko za dremež, da izberete svetlost prikazovalnika na HI (visoka), MED. (srednja) ali LO (nizka).

Čas sončnega vzhoda in zahoda: v načinu prikaza časa pritisnite tipko za nastavitev (23), da preverite čas sončnega vzhoda, in ponovno pritisnite, da preverite čas sončnega zahoda. Če želite zamenjati čas sončnega vzhoda in zahoda, trikrat pritisnite tipko za nastavitev. Ponovno pritisnite tipko za nastavitev, da se vrnete v standardni način.

Indikator vremenske napovedi

				
Sončno	Delno oblačno	Oblačno	Deževno	Neurje
				
Vetrovno	Megla	Megleno	Mrzlo	

Indikator kakovosti zraka (AQI/EPA)

Kakovost zraka	Indikator kakovosti zraka	Koga bi to moralo skrbeti?
Dobra	0-50	Dan je odličen za dejavnosti na prostem.
Zmerna	51-100	Nekateri ljudje so lahko zelo občutljivi na onesnaženje z delci. Posebej ranljive skupine: Poskusite omejiti dolgotrajne ali težke fizične napore. Ostali Dan je primeren za preživljanje časa na prostem.
Nezdrava za ranljive skupine	101-150	Med ranljive skupine spadajo ljudje z boleznimi srca ali pljuč, starejši, otroci in mladostniki. Ranljive skupine: omejiti je treba dolgotrajne ali težke fizične napore.
Nezdrava	151-200	Ranljive skupine: Izogibati se dolgotrajnim ali težkim fizičnim naporom. Ostali: Omejite dolgotrajne ali težke fizične napore. Med dejavnostmi na prostem si vzemite več odmorov.
Zelo nezdrava	201-300	Ranljive skupine: izogibajte se vsem telesnim dejavnostim na prostem. Vsi drugi: izogibajte se dolgotrajnim ali težkim naporom.
Nevarna	301-500	Ranljive skupine: ostanite doma in ohranite nizko raven telesne dejavnosti. Vsi: Izogibajte se vsem fizičnim aktivnostim na prostem.

Za odčitavanje najvišje in najnižje temperature in vlažnosti v prostorih in na prostem: V načinu prikaza časa enkrat pritisnite tipko »-« (22), da se prikažejo najvišje vrednosti temperature v prostoru in na prostem ter podatki o vlažnosti, pri čemer se na prikazovalniku prikažejo ikone »MAX«. Ponovno pritisnite tipko »-«, da prikažete zapise o najnižjih vrednostih temperature v prostoru in na prostem ter podatki o vlažnosti, pri čemer se na prikazovalniku prikažejo ikone »MIN«.

Ko so prikazane največje ali najmanjše vrednosti, pritisnite in pridržite tipko -, da ponastavite oba zapisa (najmanjši in največji), in naprava bo znova začela zapisovati največje in najmanjše vrednosti.

Reševanje problemov

Na zaslonu ni informacije.	<ul style="list-style-type: none"> ✧ Preverite, ali je napajalnik AC/DC pravilno priključen na napravo.
Temperatura/vlažnost z zunanjega senzorja se ne prikazuje.	<ul style="list-style-type: none"> ✧ Preverite, da razdalja med postajo in senzorjem ne presega 30 m (kot je priporočeno) ✧ Prepričajte se, da sta postaja in senzor vsaj 2 m stran od monitorjev in TV sprejemnikov. ✧ Preverite, ali se naprava ne nahaja blizu kovinskih okenskih okvirjev ✧ Preverite, ali se naprava ne uporablja v bližini elektronskih naprav, kot so zvočniki, delujoči na isti frekvenci (433 MHz). ✧ Prosimo, preverite, ali so bili dostavljeni 3 brezžični senzorji nastavljeni na različne kanale. ✧ Odstranite baterije, počakajte nekaj časa in jih nato znova vstavite.
Na zaslonu ni informacij o napovedi vremena	<ul style="list-style-type: none"> ✧ Poskusite osvežiti povezavo vremenske postaje z aplikacijo Tuya. ✧ Poskusite ponovno povezati vremensko postajo z aplikacijo Tuya.

Tehnični podatki**Razpon temperatur**

V prostorih: -10°C/14°F-50°C/122°F (če je odčitek zunaj tega razpona, se na prikazovalniku prikaže HH.H / LL.L)

Na prostem: -40°C/-40°F-60°C/140°F (če je odčitek zunaj tega razpona, se na prikazovalniku prikaže HH.H / LL.L)

Razpon vlažnosti

V prostorih: 1 %-99 % (če je dejanska vrednost izven tega območja, se na prikazovalniku pokaže HH.H / LL.L)

Na prostem: 1 %-99 % (če je dejanska vrednost izven tega območja, se na prikazovalniku pokaže HH.H / LL.L)

Ločljivost temperature: 0,2°F / 0,1°C

Natančnost odčitka temperature v prostorih: +/- 1°C

Natančnost odčitka temperature na prostem: +/- 1°C

Ločljivost RH %: 1 %

Natančnost odčitka vlažnosti v prostoru in natančnost odčitka vlažnosti na prostem: 30 % ~ 70 % ±5 %

Izven teh razponov: ±7 %

Oblika prikaza ure: 24 uri

Čas: 0:00

Alarm 1, 2 in 3: Ob 6:00 zjutraj

Čas trajanja alarma: 5 minut

Čas trajanja dremeža 5 minut

Koledar: Datum-Mesec / Mesec-Datum

Oblika prikaza ure: 12/24 ur

Temperatura: °C/°F

Zračni tlak: hPa / inHg

PM 2,5: 0 - 999 ug/m³

Frekvenca prenosa: 433 Mhz

Domet prenosa: 50 m (brez ovir)

(Opombe: specifikacije izdelka se lahko spremenijo brez predhodnega obvestila).

Svarīga informācija

- Saglabājiet lietošanas instrukciju un informāciju par drošību turpmākai izmantošanai.
- Nepieļaujiet šķidruma pilēšanu vai izliešanu uz ierīces. Ierīci nedrīkst arī lietot mitrās vietās, piemēram, vannas istabā.
- Šo ierīci nedrīkst uzstādīt šādās vietās:
 - vietās, kas pakļautas tiešai saules staru iedarbībai, vai radiatoru tuvumā;
 - novietojot to uz cita stereoaprikojuma, kas rada siltumu;
 - bloķējot ventilāciju vai puteklainā vietā;
 - vietās, kas pakļautas nepārtrauktām vibrācijām;
 - vietās ar augstu mitruma līmeni.
- Ierīci nedrīkst uzstādīt sveču vai atklātas uguns tuvumā.
- Ierīci var lietot tikai šajā instrukcijā aprakstītajā veidā.

Pirms ierīces pirmās ieslēgšanas reizes pārliecinieties, ka barošanas bloks ir pareizi pievienots. Drošības apsvērumu nedrīkst demontēt korpusu un iekļūt ierīces iekšpusē. Ierīces remonts jāveic kvalificētam servisa centra personālam.

Neizjauciet ierīci un neatveriet tās korpusu, jo tās iekšā nav nekādu elementu, ko lietotājs var remontēt patstāvīgi. Ierīces tehnisko apkopi un remontu var veikt tikai kvalificēti servisa centra darbinieki.

DROŠĪBAS INSTRUKCIJAS

1. Izlasiet instrukcijas — pirms ierīces lietošanas sāksanas izlasiet visu lietošanas instrukciju un informāciju par drošību.
2. Saglabājiet instrukcijas — saglabājiet lietošanas instrukcijas to turpmākai izmantošanai.
3. Ievērojiet brīdinājumus — ievērojiet visus brīdinājumus, kas sniegti uz ierīces, un lietošanas instrukcijas.
4. Ievērojiet instrukciju — ievērojiet lietošanas instrukciju un norādījumus lietotājam.
5. Uzstādīšana — uzstādiet ierīci atbilstoši ražotāja instrukcijām.
6. Barošanas avoti — ierīcei ir jābūt barotai tikai no avotiem ar parametriem, kas norādīti marķējumā uz barošanas kabeļa. Ja lietotājs nav pārliecināts, kāda veida barošanas avots ir viņa mājās, viņam ir jāsaazinās ar ierīces pārdevēju vai vietējo elektroenerģijas piegādātāju.
7. Ūdens un mitrums — lai samazinātu ugunsgrēka vai elektrošoka risku, nepakļaujiet ierīci tiešai lietus, ūdens un mitruma iedarbībai, piemēram, pirti vai vannas istabā. Nelietojiet šo ierīci ūdens tuvumā, piemēram, vannas, izlietnes, virtuves izlietnes vai veļas tovera tuvumā, mitrā pagrabā vai peldbaseina tuvumā (vai līdzīgās vietās).
8. Priekšmeti un šķidrums ierīcē — neievietojiet nekādus priekšmetus cauri ierīces atverēm, jo tie var saskarties ar vietām zem bīstamā sprieguma un detaļām, kas var izraisīt ugunsgrēku vai elektrošoku. Nekādā gadījumā nedrīkst izliet nekādus šķidrumus uz ierīces virsmas. Uz ierīces augšpusē nedrīkst novietot priekšmetus, kas satur šķidrumus.
9. Tehniskā apkope un remonts — nemēģiniet patstāvīgi veikt ierīces apskati. Vāka atvēršana var izraisīt saskari ar bīstamu spriegumu un citā veidā apdraudēt lietotāju. Ierīces tehnisko apkopi un remontu var veikt tikai kvalificēti servisa centra darbinieki.
10. Rezerves daļas — nomainot ierīces daļas pret jaunām, pārliecinieties, ka servisa centra darbinieks ir izmantojis ražotāja ieteiktās rezerves daļas vai ka tās ir identiskas oriģinālajām daļām. Daļas nomainīšanas veikšana, izmantojot neapstiprinātas daļas, var izraisīt ugunsgrēku, elektrošoku vai citus riskus.
11. Maksimālā temperatūra ierīces apkārtņē ir 35 °C.
12. Norādījumi par elektrostatiskajām izlādēm — ja ierīces darbību traucē elektrostatiskās izlādes, izslēdziet ierīci un atkārtoti ieslēdziet to vai pārvietojiet ierīci citā vietā.
13. Baterija
 - a. Baterijas nedrīkst pakļaut pārmērīgai siltuma, piemēram, saules staru, uguns u. tml. iedarbībai.
 - b. Utilizējot baterijas, pievērsiet uzmanību apkārtējās vides aizsardzības aspektiem.

c. Brīdinājums par bateriju lietošanu: lai novērstu baterijas noplūdi, kas var izraisīt traumas vai ierīces bojājumus:

- ievietojot bateriju, ņemiet vērā tā polaritāti (+ un -);
- nedrīkst vienlaicīgi lietot dažāda veida baterijas — vecās un jaunās, standarta un sāрма baterijas utt.;
- izņemiet baterijas no ierīces, kad tā netiek lietota ilgāku laiku.

Piezīme par ERP2 (ar enerģiju saistītajām iekārtām)

Šī ekodizaina ierīce atbilst Komisijas Regulas (EK) Nr. 1275/2008, ar ko īsteno Eiropas Parlamenta un Padomes Direktīvā 2005/32/EK iestrādātās ekodizaina prasības attiecībā uz elektrisko, elektronisko māsaimniecības un biroja iekārtu elektroenerģijas patēriņu gatavības un izslēgtā režīmā, 2. posma prasībām.

BRĪDINĀJUMS

Ierīci nedrīkst lietot personas (tostarp bērni) ar samazinātām fiziskām, maņu vai garīgām spējām un personas ar nepietiekamām zināšanām un pieredzi, ja vien viņas neatrodas personas, kas atbilst par viņu drošību, uzraudzībā un nav apmācītas, kā droši lietot ierīci. Pieaugušo klātbūtnē ir nepieciešama, ja ierīci lieto bērni, lai nodrošinātu drošu ierīces lietošanu.

1. Neatstājiet ierīci darbības laikā bez uzraudzības! Izslēdziet ierīci, ja tā netiek lietota, pat īsu brīdi.
2. Ierīci nedrīkst apkalpot, izmantojot ārējo taimeri vai atsevišķu sistēmu ar tālvadību.
3. Lai izvairītos no riska, kas rodas barošanas kabeļa bojājuma gadījumā, tās nomaiņa ir jāveic ražotājam, pilnvarotam servisa centram vai citai personai ar atbilstošu kvalifikāciju.
4. Pirms ierīces lietošanas sākšanas pārliecinieties, ka tās spriegums atbilst spriegumam vietējā barošanas tīklā.
5. Lai izvairītos no ugunsgrēka vai elektrošoka, aizsargājiet ierīci no karstām vietām, lietus, mitruma un putekļu iedarbības.
6. Nepakļaujiet ierīci spēcīga magnētiskā lauka iedarbībai.
7. Nenovietojiet ierīci tieši uz pastiprinātāja vai resivera.
8. Nenovietojiet ierīci mitrā vietā, jo mitrums negatīvi ietekmē elektriskās detaļas.
9. Ūdens un mitrums — lai samazinātu ugunsgrēka vai elektrošoka risku, nepakļaujiet ierīci tiešai lietus, ūdens un mitruma iedarbībai, piemēram, pirti vai vannas istabā. Nelietojiet šo ierīci ūdens tuvumā, piemēram, vannas, izlietnes, virtuves izlietnes vai veļas tovera tuvumā, mitrā pagrabā vai peldbaseina tuvumā (vai līdzīgās vietās).
10. Ierīci nedrīkst tīrīt ar ķīmiskiem šķīdinātājiem, jo tie var sabojāt korpusa lakas pārklājumu. Noslaukiet ierīci ar tīru, sausu vai nedaudz samitrinātu lupatiņu.

PIEZĪME

Deklarācija



Ar šo uzņēmums Blaupunkt Competence Center 2N-Everpol Sp. z o.o. apliecina, ka šī ierīce atbilst Direktīvas 2014/53/ES prasībām un citiem attiecīgajiem noteikumiem. Pilnu atbilstības deklarāciju var iegūt produkta cilnē tīmekļa vietnē www.blaupunkt.com. Reģistrācijas apliecības īpašnieks: 2N-Everpol Sp. z o.o., Puławska 403A, 02-801 Warszawa, Polija, tālrunis: +48 22 688 08 00, e-pasts: info@everpol.pl



Produkts ir izgatavots no augstas kvalitātes materiāliem un sastāvdaļām, ko var nodot otrreizējai pārstrādei un izmantot atkārtoti.



Ja uz jūsu ierīces ir pārsvītrotas atkritumu tvertnes simbols, tas nozīmē, ka uz produktu attiecas Eiropas Direktīvas 2012/19/ES noteikumi. Pamatojoties uz to, lūdzu, ievērojiet vietējos noteikumus un iepazīstieties ar prasībām, kas attiecas uz vietējo elektrisko un elektronisko atkritumu savākšanas sistēmu, un attiecībā uz šo izstrādājumu ievērojiet tās.

NEIZMETIET ŠO PRODUKTU KOPĀ SADZĪVES ATKRITUMIEM!

ŠIS PRODUKTS SATUR BĪSTAMAS VIELAS, MAISIJUMUS UN SASTĀVDAĻAS, KAS NEATĻAUTAS GADĪJUMĀ VAR BŪT IESPĒJAMĀS IETEKMES UZ DABĪGO VIDI UN CILVĒKU VESELĪBU AVOTS!

Pareiza izlietotā produkta utilizācija novērsīs negatīvu ietekmi uz vidi un cilvēku veselību.



Ierīce ir aprīkota ar baterijām, kurām piemēro Eiropas direktīvu 2006/66/EK. Baterijas nedrīkst izmest kopā ar mājsaimniecības atkritumiem. Iepazīstieties ar vietējo tiesību aktu noteikumiem par bateriju atsevišķu savākšanu, jo to pareiza utilizācija novērs iespējamās negatīvas sekas apkārtējai videi un cilvēku veselībai.

Informācija par apkārtējās vides aizsardzību

Iepakojums ietver tikai nepieciešamus elementus. Ir izdarīts viss iespējamais, lai trīs materiāli, no kuriem izgatavots iepakojums, būtu viegli atdalāmi: kartons (kastīte); polistirola putas (iekšējie aizsargelementi) un polietilēns (maisiņi, aizsargplēve). Ierīce ir izgatavota no materiāliem, ko var nodot otrreizējai pārstrādei un izmantot atkārtoti pēc to demontāžas specializētā uzņēmumā. Ievērojiet vietējo tiesību aktu noteikumus par iepakojuma materiālu, nolietoto bateriju un nevajadzīgu ierīču utilizāciju.

Materiālu ierakstīšanai un atskaņošanai var būt nepieciešama atļaujas iegūšana. Skatīt likumu par autortiesībām un izpildītāju/mākslinieku tiesībām.

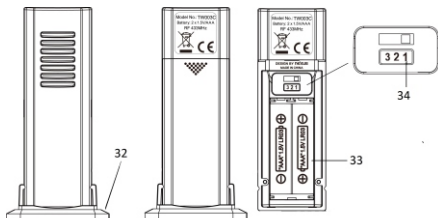
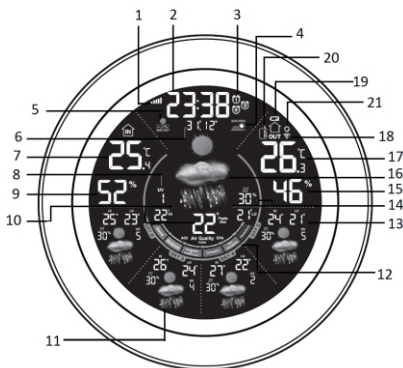
Paldies par mūsu meteoroloģiskās stacijas iegādi. Šis modelis ir aprīkots ar tālāk norādītajām funkcijām.

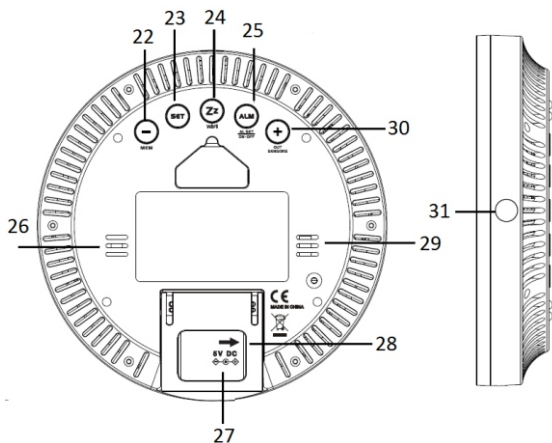
Funkcijas

- Lietotnes TUYA atbalsts
- Piecu dienu laika prognoze, UV starojuma indekss, zemākā/augstākā temperatūra
- Iekšējā/ārējā temperatūra
- Iekšējais/ārējais mitrums
- Iekšējais/ārējais mitrums
- Modinātājs ar atlikšanas funkciju
- Atbalsta maksimāli trīs ārējos bezvadu sensorus, kas raida signālu dažādos kanālos (viens sensors ietilpst komplektā)
- Siltuma k
- Barometrsomforta telpā indikators

Pirms ierīces iedarbināšanas uzmanīgi izlasiet šo lietošanas instrukciju. Saglabājiet instrukciju turpmākai izmantošanai.

Displejs un vadības elementi





- 1- Wi-Fi signāla ikona 2- Pulkstenis 3- Modinātājs 1/2/3 4- Saullēkta ikona
 5- Saulrieta ikona 6- Kalendārs 7- Iekšējā temperatūra 8- UV indekss
 9- Iekšējais mitrums 10- Jūtamā temperatūra un PM2,5 indekss (pārmaiņus rādi uz displeja)
 11- Laika prognoze 12- Gaisa kvalitātes indekss
 13- Zemākā un augstākā temperatūras vērtība 14- Nokrišņu daudzums 15- Ārējais mitrums
 16- Laika prognoze 17- Ārējā temperatūra 18- Ārēja bezvadu sensora signāla ikona
 19- Zema bezvadu sensora baterijas uzlādes līmeņa indikators (Ja parādās šī ikona, nomainiet ārējā sensora bateriju pret jaunu.)
 20- Ārējā bezvadu sensora numurs
 21- Ieslēgtas automātiskās rādījumu ritināšanas funkcijas ikona
 22- Atmiņas poga "MEM" un "-" 23- Iestatījumu poga "SET"
 24- Snaudas un Wi-Fi signāla poga
 25- Modinātāja iestatīšanas, ieslēgšanas un izslēgšanas poga "ALM"
 26- Ventilācijas atveres 27- Līdzstrāvas padeves ligzda DC IN
 28- Saliekams paliktņis 29- Ventilācijas atveres
 30- Poga "+" un ārējo sensoru kanālu maiņa poga 31- Automātiskā apgaismojuma sensora logs
 32- Pakaramais 33- Bezvadu sensora bateriju nodaļums
 34- Ārējā sensora kanāla numura pārslēgs

Strāvas pieslēgums


Pievienojiet komplektā ietilpstošo maiņstrāvas/līdzstrāvas barošanas bloku mājas maiņstrāvas kontaktligzdai, lai iegūtu barošanas avotu. Pievienojiet barošanas bloka līdzstrāvas savienotāju līdzstrāvas padeves ligzdai uz aizmugurējā paneļa sāniem. Izvelciet barošanas kabeli cauri saliekamā paliktņa vidējam caurumam. Displejs iedegas, un ierīce ir gatava darbībai. Atveriet ārējā bezvadu sensora bateriju nodaļuma vāku, ievietojiet divas AAA baterijas (neietilpst komplektā) nodaļumā, ievērojot pareizu polaritāti, kas parādīta nodaļumā. Mēs iesakām izmantot augstas kvalitātes sārma baterijas, lai iegūtu vislabāko ierīces veiktspēju. Nav ieteicams izmantot baterijas ar augstu izturību vai akumulatorus.

Signāla no ārēja bezvadu sensora uztveršana

Pēc barošanas avota pareizas pievienošanas meteoroloģiskā stacija automātiski atklāj un uztver ārējās temperatūras un mitruma mērījuma signālu no ārēja bezvadu sensora. Signāla meklēšana ilgst maksimāli trīs minūtes. Meklēšanas laikā bezvadu sensora signāla uztveršanas indikators (ārējā sensora kanāla numura ikonas tuvumā) mirgo un stabilizējas pēc veiksmīgas signāla uztveršanas. Ja stacija nesaņem signālu no ārējā sensora, signāla uztveršanas indikators pazūd pēc trim minūtēm un datu par ārējo temperatūru un mitrumu vietā uz displeja parādās šāds simbols: “- -”. Ja sensors ir atkārtoti jāpievieno, nospiediet ārējā sensora kanāla izvēles pogu (30) galvenās ierīces aizmugurē un turiet to nospiestu trīs sekundes. Ierīce atkārtoti vienu pēc otra skenē un uztver viena vai vairāku pieejamu sensoru signālu.

Ierīces novietojums un citas piezīmes

1. Svarīgi! Meteoroloģiskā stacija var savienoties un darboties kopā ar maksimāli trim ārējiem sensoriem (komplektā ietilpst tikai viens sensors). Ja jums ir divi vai trīs bezvadu sensori, iestatiet katram no tiem ir citu pārraides kanālu, lai tie visi darbotos tajā pašā laikā. Lai pārbaudītu un mainītu kanālu (ir pieejami trīs kanāli), atveriet bezvadu sensora bateriju nodalījumu un iestatiet attiecīgu sensora kanālu ar pogu CH. Īsi nospiežot kanāla izvēles pogu (CH) uz meteoroloģiskās stacijas sānu paneļa, var pārbaudīt un pārslēgt datus no visiem savienotajiem pāri ārējiem bezvadu sensoriem.

Īsi nospiežot ārējo sensoru kanāla pogu (30) uz aizmugurējā paneļa, var pārbaudīt un pārslēgt datus no dažādiem ārējiem bezvadu sensoriem. Nospiediet šo pogu vairākas reizes, līdz parādās ikona “”, lai pārmaiņus rādītu temperatūras un mitruma datus no visiem pievienotajiem sensoriem. Atkārtoti nospiediet pogu, lai atceltu funkciju.

2. Novietojiet un lietojiet meteoroloģisko staciju un ārējo sensoru 1,5–2 metru attālumā no traucējumu avotiem tādiem kā datoru monitori vai televizori. Meteoroloģiskā stacija ir jānovieto arī tālu no logiem ar metāla rāmjiem.

3. Nelietojiet citus elektroniskās ierīces, piemēram, austiņas vai skaļruņus, kas darbojas ar tādu pašu signāla frekvenci (433 MHz), jo tie var radīt traucējumus. Ņemiet vērā, ka, ja Jūsu kaimiņi lieto elektroniskās ierīces, kas darbojas ar to pašu signāla frekvenci (433 MHz), tās arī var radīt traucējumus stacijas pareizai darbībai.

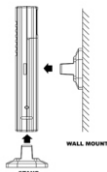
4. Lai nodrošinātu precīzu iekšējās temperatūras mērījumu, novietojiet meteoroloģisko staciju sausā vietā, kas ir brīva no netīrumiem un putekļiem. Izvēlieties vietu tālu no tiešiem saules stariem un citiem siltuma avotiem, kā arī tālu no ventilācijas atverēm.

5. Bezvadu sensoru var uzstādīt ārpus telpām. Lai iegūtu pēc iespējas labāku mērījumu precizitāti, novietojiet sensoru vertikālā stāvoklī, vismaz 1,5–2 metru augstumā no zemes, vietā, kas nodrošina aizsardzību pret lietu un labu gaisa cirkulāciju. Nepakļaujiet sensoru ilgstošai tiešai saules staru iedarbībai.

6. Maksimālais bezvadu sensora darba attālums ir 50 metri no meteoroloģiskās stacijas, bez šķēršļiem starp tiem.

7. Signāls no bezvadu sensora tiek nosūtīts uz staciju ik pēc 114 sekundēm (1. kanāls), 134 sekundēm (2. kanāls), 158 sekundēm (3. kanāls).

8. Sensoru var uzstādīt vertikāli vai piestiprināt pie sienas, kā parādīts tālāk.



Lietotnes TUYA uzstādīšana un konfigurācija

Svarīgi! Pirms sākat lejupielādēt lietotni TUYA un savienot ierīci ar Wi-Fi tīklu, pārliecinieties, ka Jūsu viedtālrunis ir savienots ar Wi-Fi 2.4G tīklu vai 2.4/5G hibrīdtīklu, un ieslēdziet Bluetooth funkciju. Ierīce neatbalsta 5 GHz tīklu.


Lietotne TUYA smart: izmantojot viedtālruni, noskenējiet tālāk sniegto QR kodu un lejupielādējiet lietotni Tuya smart (atkarībā no sistēmas IOS vai Android) savā ierīcē. Lietotni Tuya smart var arī sameklēt Apple vai Google Play veikalā, lai to lejupielādētu. Pēc tam iedarbiniet lietotni savā ierīcē, pārbaudiet un atzīmējiet atbilstošās piekrišanas, reģistrējieties vai pievienojieties savā kontā, kā norādīts uz viedtālruna ekrāna.



For Android



For iOS

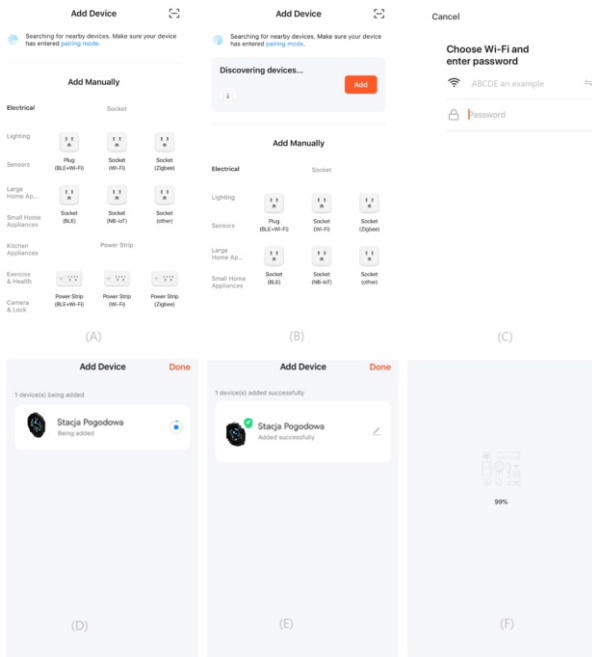
Savienošana pāri un Wi-Fi tīkla konfigurācija: ieslēdziet meteoroloģisko staciju, nospiediet augšējo Wi-Fi poga (24) uz aizmugurējā paneļa un turiet to nospiestu trīs sekundes, lai pārietu savienošanas pāri režīmā. Tīkla simbols  sāk mirgot uz displeja. Atveriet lietotni Tuya smart savā ierīcē, pieskarieties opcijai "Pievienot ierīci" (A attēls) un sameklējiet ierīci lietotnē (tā var pieprasīt piekļuvi atrašanās vietai, lūdzu, sniedziet piekrišanu), pārbaudiet ierīču atklāšanas sarakstu un pieskaries pogai "Pievienot" (sk. B attēlu), izvēlieties mājas Wi-Fi tīkla nosaukumu un ievadiet paroli, kā pieprasīts. Meteoroloģiskā stacija savienojas pāri ar lietotni, pēc tam nospiediet pogu "Gatavs" (sk. D un E attēlu). Lietotne sāk konfigurāciju un nosūta vietējo piecu dienu laika prognozi/UV starojuma indeksu/temperatūras datus u. tml. uz meteoroloģiskās stacijas displeju. Ja nepieciešams, nospiediet un turiet nospiestu Wi-Fi pogu, lai atiestatītu Wi-Fi savienojumu starp lietotni un ierīci, un rīkojieties atbilstoši iepriekš sniegtajām instrukcijām, lai atkārtoti izveidotu savienojumu.

Meteoroloģiskās stacijas apkalpošana ar lietotni TUYA

Modinātājs/atlikšana: lietotnē var iestatīt trīs modinātājus. Modinātājs tiek aktivizēts skaņas signāla veidā iestatītajā laikā. Īsi nospiežot jebkuru pogu, tiek izslēgta modinātāja skaņa, modinātājs atkārtoti ieslēdzas tajā pašā laikā nākamajā dienā.

Īsi nospiežot snaudas pogu (24), ierīce pāriet snaudas režīmā. Modinātājs ieslēdzas pēc iestatītā snaudas laika beigām. Modinātāja signāls ilgst piecas minūtes un automātiski izslēdzas, ja netiek veiktas nekādas darbības.

Citas funkcijas: Lietotnē (nospiežot atbilstošu pogu ekrāna apakšā) var iestatīt arī brīdinājumu par iekšējās un ārējās temperatūras robežvērtības pārsniegšanu, iegūt iekšējās un ārējās temperatūras/mitruma grafika likni un izvēlēties temperatūras mērvienību: °C (grāds pēc Celsija) vai °F (grāds pēc Fārenheita). Ja ir iestatīts un ieslēgts brīdinājums par temperatūras robežvērtības pārsniegšanu, ierīce rada brīdinājuma signālu, ja izmērītā temperatūra pārsniedz iestatīto robežvērtību. Īsi nospiediet augšējo snaudas pogu, lai atceltu šo signālu, taču temperatūras dati mirgos uz displeja, līdz izmērītā temperatūra pārstāj pārsniegt iestatītās robežvērtības.



Piezīme.

- Gan meteoroloģiskajai stacijai, gan viedtālrunim ar uzstādīto lietotni ir jābūt savienotiem ar to pašu Wi-Fi tīklu.
- Ja viedtālrunis atrodas ārpus Wi-Fi tīkla darbības zonas, meteoroloģiskā stacija var savienoties tieši ar jūsu Wi-Fi tīklu un darboties kopā ar to.
- Wi-Fi tīkla vai Wi-Fi paroles maiņas gadījumā meteoroloģiskā stacijā ir atkārtoti jāsavieno pāri ar viedtālruni. Vispirms dzēsiet ierīci no lietotnes Tuya, pēc tam savienojiet tās pāri, kā aprakstīts iepriekš šajā instrukcijā.
- Ja uz ekrāna redzamā informācija par laika prognozi ir pazudusi vai nepilnīga, mēģiniet atvērt lietotni Tuya, atsvaidziniet to un atkārtoti savienojiet meteoroloģisko staciju ar lietotni.
- Ierīces nosaukumu var izmainīt, pieskaroties zīmuļa ikonai (parasti blakus ierīces nosaukumam) lietotnē.
- Meteoroloģiskā stacija atbalsta arī lietotni Smart Life. Pārejiet uz veikalu Apple Store vai Google Play un sameklējiet lietotni Smart Life-Smart Living, lai to lejupielādētu. Savienošana ar lietotni tiek veikta līdzīgi lietotnei TUYA.

UZMANĪBU!

Ja meteoroloģiskā stacija darbojas jau kādu laiku, pēc tās atvienošanas no barošanas avota un ātras atkārtotas pievienošanas temperatūras rādījumi ir augstāki un mitruma rādījumi zemāki (ierīces iekšā atlikušā siltuma dēļ). Vienkārši atstājiet meteoroloģisko staciju ieslēgtu uz 15–30 minūtēm, un temperatūras un mitruma rādījumi atkal kļūst stabili un precīzi.

Gaisa kondicioniera vai elektriska ventilatora ieslēgšana meteoroloģiskās stacijas virzienā var izraisīt nelielu telpas temperatūras rādījumu samazināšanos.

Manuālie sistēmas iestatījumi: nospiediet un turiet nospiestu pogu "set" (23), līdz stundas cipars sāk mirgot uz displeja, nospiediet pogu "+" vai "-", lai iestatītu stundu, īsi nospiediet pogu "set", lai pārietu uz minūšu iestatīšanu, veiciet tādu pašu darbību kā pulksteņa stundas iestatīšanas gadījumā, lai pabeigtu pārējos iestatījumus minūtēm/pulksteņa formātam (12 un 24 stundas)/gadam/mēnesim/datumam/mēneša un datuma formātam/temperatūras mērvienībai/jūtamajai temperatūrai vai PM2,5/gaisa spiediena mērvienībai/gaismas sensoram (iesl./izsl.)/snaudas laikam (5~60 minūtes). Nospiediet pogu "+" vai "-" un turiet to nospiestu, lai paātrinātu iestatīšanu. Atkārtoti nospiediet pogu "set", lai pabeigtu un izietu no iestatījumiem. Atstājot ierīci bez jebkādas darbības uz 10 sekundēm, iestatīšanas procedūra tiek pārtraukta.

Manuālā modinātāja iestatīšana: nospiediet modinātāja pogu (25) un turiet to nospiestu, līdz modinātāja1 ikona un stundas cipars sāk mirgot uz displeja, nospiediet pogu "+" vai "-", lai iestatītu modinātāja stundu. Atkārtoti nospiediet modinātāja pogu, lai pārietu uz modinātāja minūšu iestatīšanu. Veiciet tādu pašu darbību kā modinātāja stundas iestatīšanas gadījumā, lai pabeigtu modinātāja minūšu/modinātāja režīma (pēc datuma (1–7) un pēc darba dienas (1–5) un nedēļas nogales (6–7)) iestatīšanu; pēc tam turpiniet modinātāja 2/modinātāja 3 iestatīšanu, kas tiek veikta tāpat kā modinātāja1 iestatīšana. Nospiediet pogu "+" vai "-" un turiet to nospiestu, lai paātrinātu iestatīšanu. Atkārtoti nospiediet modinātāja pogu, lai pabeigtu un izietu no iestatījuma. Īsi nospiediet modinātāja pogu, lai ieslēgtu modinātāju1; nospiediet modinātāja pogu vairākas reizes, lai ieslēgtu vai izslēgtu pārējos modinātājus, un uz displeja parādās attiecīgā modinātāja ikona. Pārliedcinieties, ka pēc iestatīšanas uz displeja parādās modinātāja ikona, pretējā gadījumā modinātāja funkcija neiedarbojas.






Modināšanas un snauda: kad pienāks iestatītais modinātāja laiks, meteoroloģiskā stacija rada skaņas signālu. Attiecīga modinātāja ikona sāk mirgot uz displeja. Nospiediet modinātāja pogu, lai atceltu modinātāja skaņas signālu, un modinātājs ieslēgsies tajā pašā laikā nākamajā dienā. Nospiediet snaudas pogu, lai uz laiku atceltu modinātāja skaņas signālu, modinātājs atkārtoti ieslēdzas atbilstoši iestatītajam snaudas laikam. Modinātāja skaņas signāla ilgums ir piecas minūtes, un tas izslēdzas automātiski, ja netiek veiktas nekādas turpmākas darbības.

Automātiskais apgaismojuma sensors: meteoroloģiskā stacija ir aprīkota ar automātisko apgaismojuma sensoru. Displeja spilgtums tiek automātiski pielāgots apgaismojuma apstākļiem telpā.

Displeja apgaismojuma regulēšana: ja gaismas sensors ir iestatīts uz "izslēgts". Nospiediet snaudas pogu, lai izvēlētos displeja spilgtumu līmeni "HI" (augsts), "MED" (vidējais) vai "LO" (zems).

Saullēkta un saulrieta laiks: laika rādīšanas režīmā nospiediet pogu "set" (23), lai pārbaudītu saullēkta laiku, nospiediet to atkārtoti, lai pārbaudītu saulrieta laiku. Nospiediet pogu "set" trīs reizes, lai pārmaiņus rādītu saullēkta un saulrieta laiku. Atkārtoti nospiediet pogu "set", lai atgrieztos standarta režīmā.

Laika prognozes indikators

				
Saulains	Daļēji mākoņains	Mākoņains	Lietains	Vētrains
				
Vējains	Migla	Dūmaka	Sals	

Gaisa kvalitātes indekss (AQI/EPA)

Gaisa kvalitāte	Gaisa kvalitātes indikators	Kam par to būtu jāuztraucas?
Labā	0-50	Tā ir lieliska diena aktivitātēm svaigā gaisā.
Mērena	51-100	Daži cilvēki var būt ļoti jutīgi pret cieto daļiņu piesārņojumu. Īpaši jutīgās grupas: apsveriet ilgstošas vai smagas fiziskās slodzes ierobežošanu. Visi pārējie: tā ir laba diena, lai pavadītu laiku svaigā gaisā.
Neveselīga jutīgiem cilvēkiem	101-150	Pie jutīgajām grupām pieder cilvēki ar sirds vai plaušu slimībām, vecāka gadagājuma cilvēki, bērni un pusaudži. Jutīgās grupas: ierobežojiet ilgstošu vai smagu fizisko slodzi.
Neveselīga	151-200	Jutīgās grupas: izvairieties no ilgstošas vai smagas fiziskās slodzes. Visi pārējie: ierobežojiet ilgstošu vai smagu fizisko slodzi. Veiciet vairāk pārtraukumu visu aktivitāšu svaigā gaisā laikā.
Ļoti neveselīga	201-300	Jutīgās grupas: izvairieties no jebkādam fiziskām aktivitātēm svaigā gaisā. Visi pārējie: izvairieties no ilgstošas vai smagas fiziskās slodzes.
Bistama	301-500	Jutīgās grupas: palieciet mājās un uzturiet zemu fizisko aktivitāšu līmeni. Visi: izvairieties no fiziskām aktivitātēm svaigā gaisā.

Lai nolasītu maksimālo un minimālo iekšējās un ārējās temperatūras un mitruma vērtību: laika rādīšanas režīmā vienu reizi nospiediet pogu “-” (22), lai rādītu maksimālo iekšējās un ārējās temperatūras vērtību un mitruma rekordus ar ikonām “MAX”, kas parādās uz displeja. Atkārtoti nospiediet pogu “-”, lai parādītu minimālo iekšējās un ārējās temperatūras vērtību un mitruma rekordus ar ikonām “MIN”, kas parādās uz displeja. Kad tiek rādītas maksimālās vai minimālās vērtības, nospiediet un turiet nospiektu pogu “-”, lai atiestatītu abus rekordus (minimālo un maksimālo), un ierīce atkal sāk reģistrēt maksimālās un minimālās vērtības.

Problēmu risināšana

Nav informācijas uz displeja.	<ul style="list-style-type: none"> ✧ Pārļiecinieties, ka maiņstrāvas/līdzstrāvas barošanas bloks ir pareizi pievienots ierīcei.
Temperatūra/mitrums no ārējā sensora netiek rādīti.	<ul style="list-style-type: none"> ✧ Pārļiecinieties, ka attālums starp staciju un sensoru nepārsniedz 30 m (ieteicams). ✧ Pārļiecinieties, ka stacija un sensors atrodas vismaz 2 m attālumā no monitoriem un televizoriem. ✧ Izvairieties no ierīču novietošanas uz logu metāla rāmjiem vai to tuvumā. ✧ Izvairieties no staciju lietošanas tādu elektronisko ierīču tuvumā kā skaļruņi, kas darbojas tajā pašā frekvencē (433 MHz). ✧ Pārļiecinieties, kas trīs komplektā ietilpstošie bezvadu sensori ir iestatīti dažādos kanālos. ✧ Izņemiet baterijas, pagaidiet kādu brīdi un uzstādiet tās atpakaļ.
Informācijas par laika prognozi uz displeja neesamība.	<ul style="list-style-type: none"> ✧ Mēģiniet atsvaidzināt meteoroloģiskās stacijas savienojumu ar lietotni TUYA. ✧ Mēģinī atkārtoti savienot meteoroloģisko staciju ar lietotni Tuya.

Tehniskie dati**Temperatūras diapazons**

lekštelpās: -10 °C/14 °C -50 °C/122 °F (uz displeja parādās "HH.H/LL.L", ja rādījums ir ārpus šī diapazona)

Ārā: -40 °C/-40 °F - 60 °C/140 °F (uz displeja parādās "HH.H/LL.L", ja rādījums ir ārpus šī diapazona)

Mitruma diapazons

lekštelpās: 1-99% (uz displeja parādās "HH.H/LL.L", ja rādījums ir ārpus šī diapazona)

Ārā: 1-99% (uz displeja parādās "HH.H/LL.L", ja rādījums ir ārpus šī diapazona)

Temperatūras izšķirtspēja: 0,2 °F/0,1 °C

lekšējās temperatūras rādījuma precizitāte: +/-1 °C

Ārējās temperatūras rādījuma precizitāte: +/-1 °C

RH% izšķirtspēja: 1 %

lekšējā mitruma rādījuma precizitāte un ārējā mitruma rādījuma precizitāte: 30~70 % ± 5 %

Ārpus šiem diapazoniem: ±7 %

Laika formāts: 24 stundas

Laiks: 0:00

Modinātājs 1, 2 un 3: plkst. 6:00 no rīta

Trauksmes ilgums: 5 minūtes

Snaudas ilgums: 5 minūtes

Kalendārs: datums-mēnesis/mēnesis-datums

Laika formāts: 12-24 stundas

Temperatūra: °C/°F

Gaisa spiediens: hPa/inHg

PM2,5 0-999 µg/m3

Pārraidis frekvence: 433 MHz

Pārraidis tālums: 50 m (atklātā telpa)

(Piezīmes: ierīces specifikācija var tikt izmainīta bez iepriekšēja paziņojuma.)

Power adaptor information		
Information published	Value and precision	Unit
Manufacturer's name or trade mark Commercial registration number Address	DONGGUAN SHIJIE HUAXU ELECTRONICS FACTORY Commercial Registration Number: 440429543 Address: No.200,Technology East Road,Shijie TownDongguan City,Guangdong,P.R.China	
Model identifier	HX075-0501200-AG-001	
Input voltage	100-240	V
Input AC frequency	50/60	Hz
Output voltage	DC5	V
Output current	1.2	A
Output power	6.0	W
Average active efficiency	≥ 75	%
Efficiency at low load (10 %)	71.17	%
No-load power consumption	≤ 0.1	W

Competence Center

2N-Everpol Sp. z o.o.
ul. Puławska 403A
02-801 Warsaw, Poland
phone: +48 22 688 08 00
e-mail: info@everpol.pl
www.blaupunkt.com

W przypadku pytań lub problemów
prosimy o kontakt z naszym serwisem.

In case of questions or problems please contact our service. Tel. 00 48 22 688 08 33 E-mail: info@blaupunkt-audio.pl

Wszelkie prawa zastrzeżone. Wszystkie nazwy marek są zarejestrowanymi znakami towarowymi należącymi do odpowiednich podmiotów. Dane i parametry techniczne mogą ulec zmianie bez wcześniejszego uprzedzenia.

All rights reserved. All brand names are registered trademarks of their respective owners. Specifications are subject to change without prior notice.

Niniejszy produkt został wyprodukowany i sprzedany na odpowiedzialność firmy 2N-Everpol Sp. z o.o. BLAUPUNKT, logo BLAUPUNKT oraz logo 100 LAT BLAUPUNKT są znakami towarowymi używanymi na podstawie licencji przez firmę 2N-Everpol Sp. z o.o. Więcej informacji na brand.blaupunkt.com. Wszystkie inne produkty, usługi, firmy, znaki towarowe, nazwy handlowe lub produkty i logo, o których mowa w niniejszym dokumencie, są własnością ich odpowiednich właścicieli.

This product has been manufactured and sold under the responsibility of 2N-Everpol Sp. z o.o. BLAUPUNKT, BLAUPUNKT logo, and the 100 YEARS BLAUPUNKT logo are trademarks used under license by 2N-Everpol Sp. z o.o. -- further information at brand.blaupunkt.com. All other products, services, companies, trademarks, trade or product names and logos referenced herein are the property of their respective owners.



Enjoy it.