

**BLAUPUNKT**



12V DIGITAL VIDEO  
RECORDER 2-CHANNEL

**BP7.2A**

**BP7.3A**



*Enjoy it.*

Operating and Installation Instructions

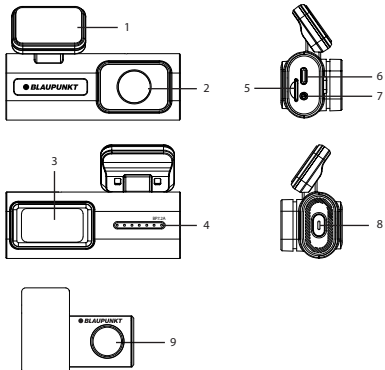
## CAUTIONS

---

- Please insert the micro SD card in the right direction to avoid damage to the card or the device. If device shows error message, please format the micro SD card from device menu. Please reset device or change micro SD card if similar error continues. Note : All files will be deleted when formatting micro SD card or firmware update, please backup the important files prior to that. When reset function is selected, the device will return to default setting.
  - Blaupunkt does not warrant the performance of device if used with other Micro SD card other than Blaupunkt Micro SD card
  - New Micro SD card must be formatted for first use.
  - Ensure bracket is installed correctly & firmly on windscreen to avoid damage to device and for better recording angle.
  - Please do not use product under wet environment as device is not waterproofed/ water resistant.
  - Please do not record or take picture facing sunlight.
  - To obtain clear image, please clean windscreen and device lens regularly. Avoid using device in dusty environment.
  - Handle device with care and avoid direct impact on the device. Avoid using device in high electromagnetic environment.
  - Please operate the product within the temperature of -10°C ~ 65°C. Continuous exposure to sunlight, especially when locked in cabin where temperature exceeds 65°C may result to device malfunction, colour change, housing and image distortion.
- Disclaimer :**
- Blaupunkt is not liable for any loss or damage caused or resulting from unauthorized disassembly or modification to the product.
  - In no event shall Blaupunkt be liable for any direct, indirect, punitive, incidental, special consequential damages, to property or life, improper storage, whatsoever arising out of or connected with the use or misuse of our products.
  - USA & CANADA : Products not intended for sales in the United States and Canada. If purchased in the U.S. or Canada, this product is purchased as-is. No warranty, expressed or implied is provided in the U.S. and Canada.
  - This device is NOT intended to be used for illegal purpose, surveillance and shall not be used in any form as evidence for claim purposes.
  - Some countries prohibit drivers from mounting anything on the windshield, or restrict mounting to specific areas of the windshield. It is the owner's responsibility to mount the device in compliance with local laws.
  - Error may occur depending on the surrounding environment and the voltage of the car.
  - Blaupunkt is not liable/responsible for non-recorded event, missing files, etc.
  - If the car battery voltage is lesser than the setting value of cut-off voltage, device will stop recording even at park recording mode.

## STRUCTURE

---



1. Holder

2. Lens

3. 1.47" LCD Screen

4. Speaker

5. Micro SD Card Slot

6. Type-C USB Power Supply

7. Camera Reverse Connector

8. DVR Screen

9. Rear Camera Lens

### BP7.2A

- Resolution : Front 2MP 2K 2560 x 1440 (25fps)  
Rear 1MP FHD 1920x1080 (25fps)
- Wide viewing angle : Front - 126°, Rear - 150°
- Screen display : Front, Rear
- 1.47" LCD screen display
- Low car battery voltage cut off
- Loop Recording
- Parking Monitoring
- Built-in G-sensor
- Wireless control app
- Built-in microphone & speaker
- Language : English, Chinese Simplified, Chinese Traditional, Japanese & Thailand
- Power supply : DC 12V
- Temperature : -10°C ~ 65°C (Operating), -4°C ~ 158°C (Storage)
- Support up to 512GB Micro SD
- Includes : Front DVR & rear DVR, wiring harness, rear camera cable & manual

### BP7.3A

- Resolution : Front 8MP 4K 3840 x 2160 (25fps)  
Rear 2MP FHD 1920x1080 (25fps)
- Wide viewing angle : Front - 137°, Rear - 135°
- Screen display : Front, Rear
- 1.47" LCD screen display
- Low car battery voltage cut off
- Loop Recording
- Parking Monitoring
- Built-in G-sensor
- Wireless control app
- Built-in microphone & speaker
- Language : English, Chinese Simplified, Chinese Traditional, Japanese & Thailand
- Power supply : DC 12V
- Temperature : -10°C ~ 65°C (Operating), -4°C ~ 158°C (Storage)
- Support up to 512GB Micro SD
- Includes : Front DVR & rear DVR, wiring harness, rear camera cable & manual

### Pair DVR with Smartphone

The distance range between the DVR and smartphone is approximately 10 meters (33ft) in an open field environment.

### Wireless Connection (Wi-Fi)

Enable Wi-Fi & Location on Smartphone before beginning (Refer to the instruction manual of the smartphone on how to operate Wi-Fi & Location)

- Download "**Blaupunkt DVR Dashcam**" app from App Store (iOS) or Play Store (Android).



- Before doing the connection, make sure to activate the "**BP7.2A**" or "**BP7.3A**".
- Connect the wifi of "**BP7.2A**" or "**BP7.3A**" as shown below, then press the centered Blue button to enter into the control view.



**Repeat Wireless Connection steps whenever smartphone is disconnected.**

### Recording Video or Taking photo in App



- Press "**Record**" button to stop the recording/start new recording.
- Press "**Take Photo**" button to capture the photo.

## FUNCTIONS - DVR

---

### Download Video or Photo

- Go to app recording screen to select Video or Photo gallery.



Video



Photo

- Press and hold preferred video/photo to select then press "↓" to download file.



### Emergency Recording

- There will be audio alert when emergency recording started.
- The device will begins saving emergency recording when impact is detected.

### Format SD Card

- All data will be deleted. Backup data to prevent unwanted files from being deleted.
- Go to **Settings** and Select "**Format Memory Card**".

### Parking Monitoring

Around-the-clock protection and surveillance when the ignition switch turned off and car is parked.

- Park Monitoring recording triggered by G-sensor.
- Go to "⚙️" **Settings** and choose **Parking Monitor**. Next, select the preferred mode (Low / Middle / High). Press " < " **Back** to exit the setting menu.

### Timelapse

To record long-duration videos by compiling a series of single pictures over a period of time.

## FUNCTIONS

<b>Setting</b>	Low Voltage Protection	Low Voltage Protection function will stop the DVR from drawing power, when the vehicle battery voltage is below the threshold value.
	Wifi Setting	Allow user to edit DVR's wifi naming and password.
	Volume	Mute/Low/Middle/High
	Factory Reset	Perform factory reset will restore the DVR to the DVR's default settings.
	Format Memory Card	All data will be deleted. Backup data to prevent unwanted files from being deleted.
<b>Video/ Image</b>	Video Coding	H.264/TS
	Resolution	BP7.2A : 2560 x 1440(25fps)/920 x 1080(25fps) BP7.3A : 3840 x 2160 (25fps)/1920x1080 (25fps)
	Loop Recording	Supported
	Parking Monitor	Supported
	Time-lapse	Supported
	G-sensor	Supported
<b>Playback</b>	Delete, Recorded Video/ Photo	Video & Photo

## ACCESSORIES

