

BLAUPUNKT



POWER SPEAKER GTx 3 SERIES



GTx 3652



GTx 3652 C20

Enjoy it.

Operating and Installation Instructions

CAUTIONS

Proper system planning is vital in order to maximize the device's performance and road safety. Plan your installation carefully to avoid compromising performance reliability of the system. Consult an authorized Blaupunkt dealer for installation or preparation. Read the manual carefully before operating the device for the first time.

Safety Notes

Ensure to follow below safety notes during installation and wiring connection: -

- Disconnect the negative terminal of the battery. Refer to the safety notes of the vehicle manufacturer.
- Ensure positions of the holes are nowhere near the vehicle component to avoid any damage during drilling.
- Ensure cross section of the cable is no less than 2.5mm² if the positive and negative cables are too long.
- Incorrect installation may result in malfunction of the device or the car sound system.

Installation and Connection Instructions

- Select a dry and well-ventilated location to install the device.
- The device must not be installed in overly exposed location such on therear shelf, rear seat etc.
- The installation location must be suitable for screw holes and have stable ground support.

Disclaimer

In no event shall Blaupunkt be liable for any direct, indirect, punitive, incidental, special consequential damages to property or life and whatsoever arising out of or connected with the use or misuse of our products.

USA & CANADA: This product is not intended for sale in the United States and Canada. If purchased in the U.S. or Canada, this product is purchased on as-is basis. No warranty, whether expressed or implied is provided in the U.S. or Canada.

Voltage Supply

- Use the supplied power extension cable to connect to the positive battery terminal.
- Firmly and carefully connect the ground lead to a bare metal point on the vehicle chassis.
- The control of the device should be a two-channel control, either via the preamplifier output of the car sound system.
- A control solely via the right or left channel is also possible since the low-frequency portion of the music is generally identical on both channels.

Disposal Notes

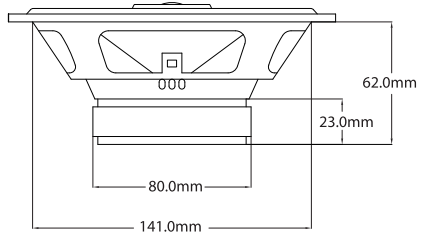
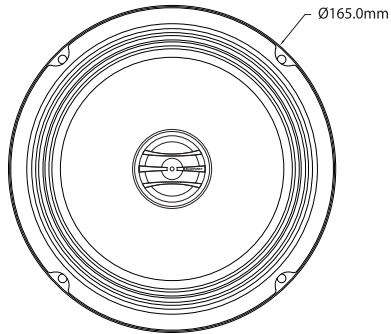


Do not dispose of your old unit in the household trash!
Use the return and collection systems available to dispose of the old device.

This manual may be updated from time to time without any notice. Visit www.blaupunkt.com for more info.

SPECIFICATION

GTx 3652



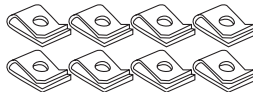
Pair of 6.5" 2-way coaxial speaker with PP Mica Injection Cone Composition including mounting hardware

- Max. Power Handling : 150W
- Normal Output Power (RMS) : 50W
- Impedance : 4ohms
- Frequency Response : 80Hz - 20,000Hz
- Sensitivity : 87dB
- Mounting Depth : 61mm
- Diameter Hole : 155mm

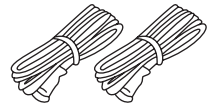
Accessories



8 x Tapping Screws
(4x25mm)



8 x Cable Clip

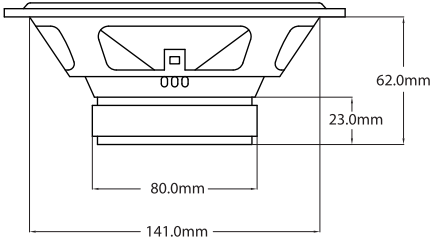
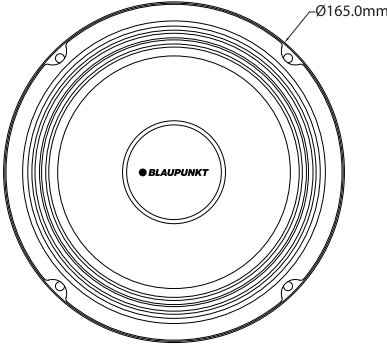


2 x 2.5m Wire Harness

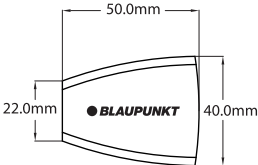
SPECIFICATION

GTx 3652 C20

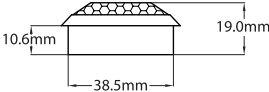
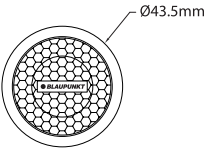
Woofer



Crossover



Tweeter



SPECIFICATION

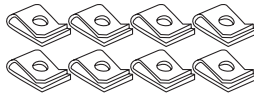
Pair of 6.5" 2-way component speaker with PP Mica Injection Cone Composition including mounting hardware

- Max. Power Handling : 150W
- Normal Output Power (RMS) : 50W
- Impedance : 4ohms
- Frequency Response : 80-20,000Hz
- Sensitivity : 87dB
- Mounting Depth : 63mm
- Mounting Hole Diameter : 155mm

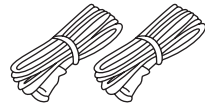
Accessories



8 x Tapping Screws
(4x25mm)



8 x Cable Clip



2 x 2.5m Wire Harness

TROUBLESHOOTING

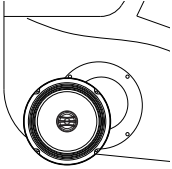
If any of the following problem occur, please resort to Troubleshooting for the possible solutions. Consult Blaupunkt authorized dealer if problem persist.

Problems	Possible Causes	Solutions
Speaker does not work	Incorrect or loose wiring connection.	Ensure proper wiring connections of speaker.
	Fraying or broken cables.	Repair or replace if the cables are damaged.
	Speaker is damaged.	Replace with a new speaker.
Distorted and hissing sound	Voice coil or speaker cone is damaged.	Replace with a new speaker.

INSTALLATION

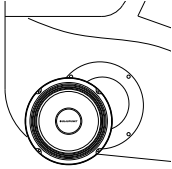
GTx 3652 :

a. Woofer

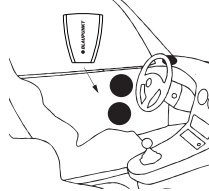


GTx 3652 C20 :

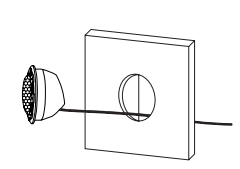
a. Woofer



b. Crossover

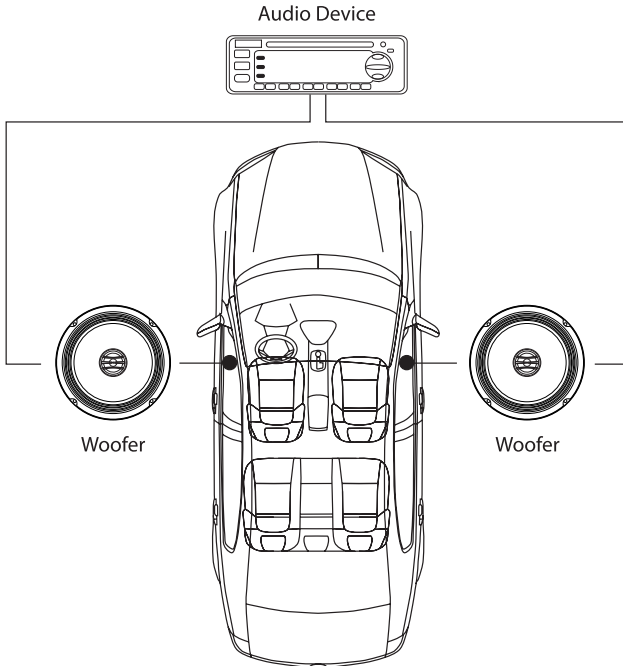


c. Tweeter



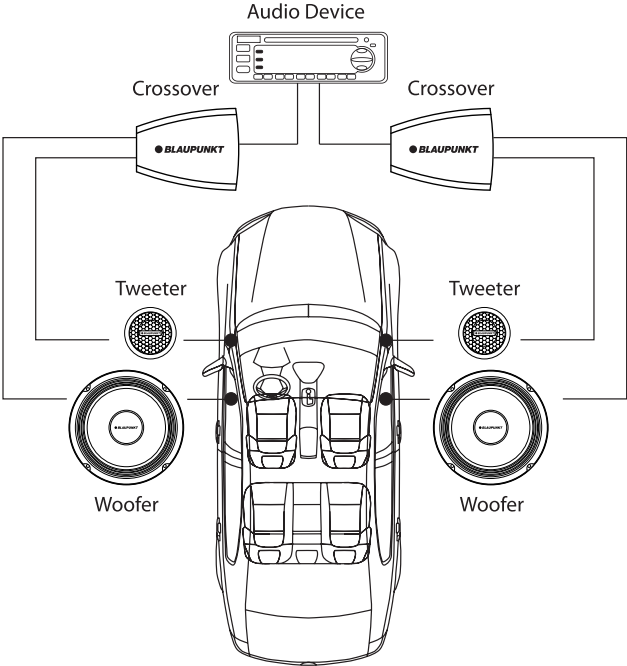
WIRING DIAGRAM

GTx 3652



WIRING DIAGRAM

GTx 3652 C20





Designed and engineered by Blaupunkt Competence Centre

GTx 3652
1 111 22 049 59 01

GTx 3652 C20
1 111 22 050 59 01