

4MP HD MINI IR FIXED BULLET NETWORK CAMERA

BP-IPC-BF401-40



FEATURES

- High quality image with 4MP, 1/3"CMOS sensor
- 4MP (2688*1520) @ 25/20fps; 4MP (2560*1440) @ 25/20fps; 3MP (2304*1296) @30/25fps; 2MP (1920*1080) @30/25fps;
- Ultra 265, H.265, H.264, MJPEG
- Easy star technology ensures high image quality in low illumination environment
- 120dB true WDR technology enables clear image in strong light scene
- Support 9:16 Corridor Mode
- Built-in Mic
- Smart IR, up to 50m (164ft) IR distance
- Supports 256GB Micro SD card
- IP67 protection
- Support PoE power supply
- 3-Axis

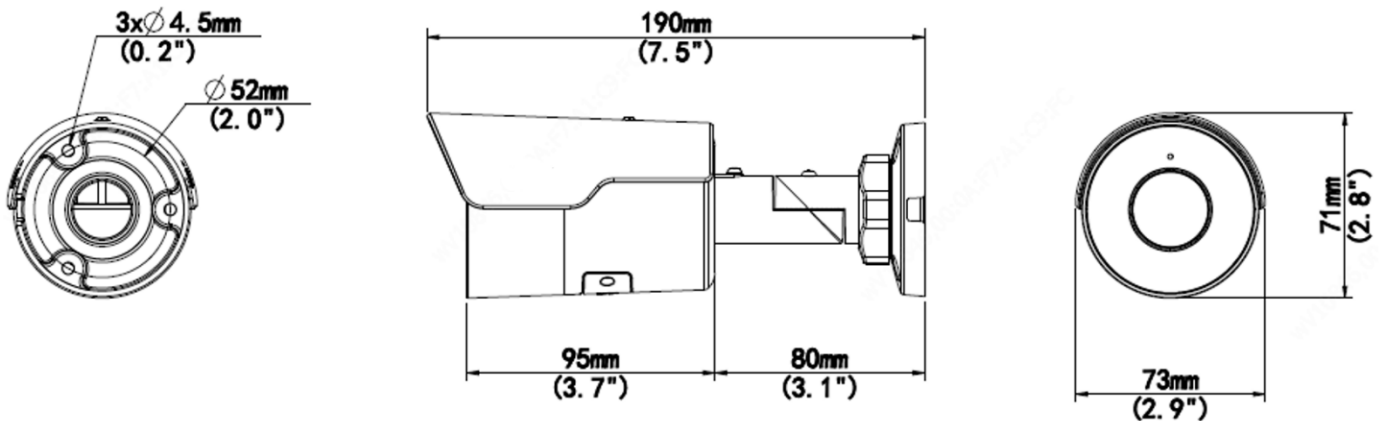
TECHNICAL SPECIFICATION

Camera				
Sensor	1/3", 4.0 megapixel, progressive scan, CMOS			
Minimum Illumination	Support Easy star: Colour: 0.003 lux (F1.6, AGC ON) 0Lux with IR			
Shutter	Auto/Manual, 1 ~ 1/100000s			
Day/Night	IR-cut filter with auto switch (ICR)			
Adjustment angle	Pan: 0° ~ 360°	Tilt: 0° ~ 90°	Rotate: 0° ~ 360°	
WDR	120dB			
S/N	>56dB			
Lens				
Lens	4.0mm@F1.0			
Iris	Fixed			
Field of View (H)	83.7°			
Field of View (V)	44.9°			
Field of View (D)	89.2°			
DORI				
DORI Distance	Detect (m)	Observe (m)	Recognize (m)	Identify (m)
	90.0	36.0	18.0	9.0
Illuminator				
IR range	Up to 50m (164ft) IR range			
Wavelength	850nm			
IR On/Off Control	Auto/Manual			
Video				
Video Compression	Ultra265, H.265, H.264, MJPEG			
H.264 code profile	Baseline profile, Main profile, High profile			
Frame Rate	Main Stream: 4MP (2688*1520), Max 25fps; 4MP (2560*1440), Max 25fps; 3MP (2304*1296), Max 30fps; 1080P (1920*1080), Max 30fps; Sub Stream: 720P (1280*720), Max 30fps; D1 (720*576), Max 30fps; 640*360, Max 30fps			
Video Bit Rate	128 Kbps ~ 16 Mbps			
U-code	Support			
OSD	Up to 4 OSDs			
Privacy Mask	Up to 4 areas			
ROI	Up to 8 areas			
Video Stream	Dual Streams			
Image				
White Balance	Auto/Outdoor/Fine Tune/Sodium Lamp/Locked/Auto2			
Digital noise reduction	2D/3D DNR			
Smart IR	Support			
Flip	Normal/Vertical/Horizontal/180°/90°Clockwise/90°Anti-clockwise			
HLC	Support			

BLC	Support
Defog	Digital Defog
Events	
Basic Detection	Cross line, intrusion (based on human body detection), motion detection, Ultra motion detection, tampering alarm, audio detection
General Function	Watermark, IP address filtering, access policy, ARP protection, RTSP authentication, user authentication, HTTP authentication
Audio	
Audio Compression	G.711U, G.711A
Audio Bitrate	64Kbps
Two-way audio	N/A
Suppression	Support
Sampling Rate	8KHZ
Storage	
Edge Storage	Micro SD, up to 256GB
Network Storage	ANR, NAS(NFS)
Network	
Protocols	IPv4, IPv6, IGMP, ICMP, ARP, TCP, UDP, DHCP, RTP, RTSP, RTCP, RTMP, DNS, DDNS, NTP, FTP, UPnP, HTTP, HTTPS, SMTP, SSL/TLS, 802.1x, SNMP
Compatible Integration	ONVIF (Profile S, Profile G, Profile T), API, SDK
User/Host	Up to 32 users. 2 user levels: administrator and common user
Security	Password protection, Strong password, HTTPS encryption, Export operation logs, Basic and digest authentication for RTSP Digest authentication for HTTP, TLS 1.2, WSSE and digest authentication for ONVIF
Client	BP-connect
Web browser	Plug-in required live view: IE 10 and above, Chrome 45 and above, Firefox 52 and above, Edge 79 and above Plug-in free live view: Chrome 57.0 and above, Firefox 58.0 and above, Edge 16 and above
Interface	
Audio I/O	N/A
Alarm I/O	N/A
Serial Port	N/A
Buil-in Mic	Support
Built-in Speaker	N/A
WiFi	N/A
Network	1 * RJ45 10M/100M Base-TX Ethernet
Video Output	N/A
Certifications	
EMC	CE-EMC (EN 55032: 2015+A1:2020, EN 61000-3-3: 2013+A1: 2019, EN IEC 61000-3-2: 2019+A1: 2021, EN 55035: 2017+A11:2020) FCC (FCC CFR 47 part15 B, ANSI C63.4-2014)
Safety	CE LVD (EN 62368-1:2014+A11:2017) CB (IEC 62368-1:2014) UL (UL 62368-1, 2nd Ed., Issue Date: 2014-12-01)
Environment	CE-RoHS (2011/65/EU;(EU)2015/863); WEEE (2012/19/EU); Reach (Regulation (EC) No 1907/2006)
Protection	IP67

General	
Power	DC 12V±25%, PoE (IEEE 802.3af)
	Power consumption: Max 6.0W
Power Interface	Ø 5.5mm coaxial power plug
Dimensions (L x W x H)	190 × 73 × 71mm (7.5" × 2.9" × 2.8")
Weight	0.45kg (0.99lb)
Material	Graphene + Metal
Working Environment	-30°C ~ 60°C (-22°F ~ 140°F), Humidity: ≤95% RH (non-condensing)
Storage Environment	-30°C ~ 60°C (-22°F ~ 140°F), Humidity: ≤95% RH (non-condensing)
Surge protection	4KV
Reset button	Support

DIMENSIONS



ACCESSORIES

BP-CB-B05-B



BP-CB-P06-C

