



User Manual

ADDRESSABLE REPEATER
BP-FD-ACPREP



Enjoy it.

-----Please read this operation manual carefully before installing and using the product.-----

I . Introduction

BP-FD-ACPREP Addressable Repeater (hereinafter referred to as Fire Indicating Panel) is a microprocessor-controlled fire indicating panel, which is developed and produced by Asenware. The fire indicating panel is connected with fire alarm control panel through RS485 bus line. Each floor can be installed with a fire indicating panel , and when a detector or module triggers the alarm, the fire indicating panel will emit a sound and light alarm, meanwhile the relevant fire alarm information will be displayed on the screen.

II . Features

- Beautiful and elegant appearance
- Easy to operate, easy to install
- With a stable and reliable communication of RS485 bus , and the maximum length of the bus is over 1,000 meters



III. Technical Parameters

- Voltage: DC 24V±20%
- Current: monitor state ≤ 32mA, alarm state ≤ 66mA
- Standard: GB 17429-2011 《Fire Indicating Panel》
- Capacity: single fire indicating panel can display up to 99 pieces of information
- Wiring system: five-wire system, power cord (+24V, GND), 485 bus (A, B), PE line().
- Operating environment:
 - indoor;
 - temperature: -10℃ ~ +50℃ (14°F ~ 122°F);
 - relative humidity: ≤95% RH (40℃, non-condensing);
- Dimensions: 210.0mm×150.0mm×33.5mm
- Weight: 0.5KG

IV. Appearance and Dimensions

The Figure 1 below illustrates overall dimensions of the panel.

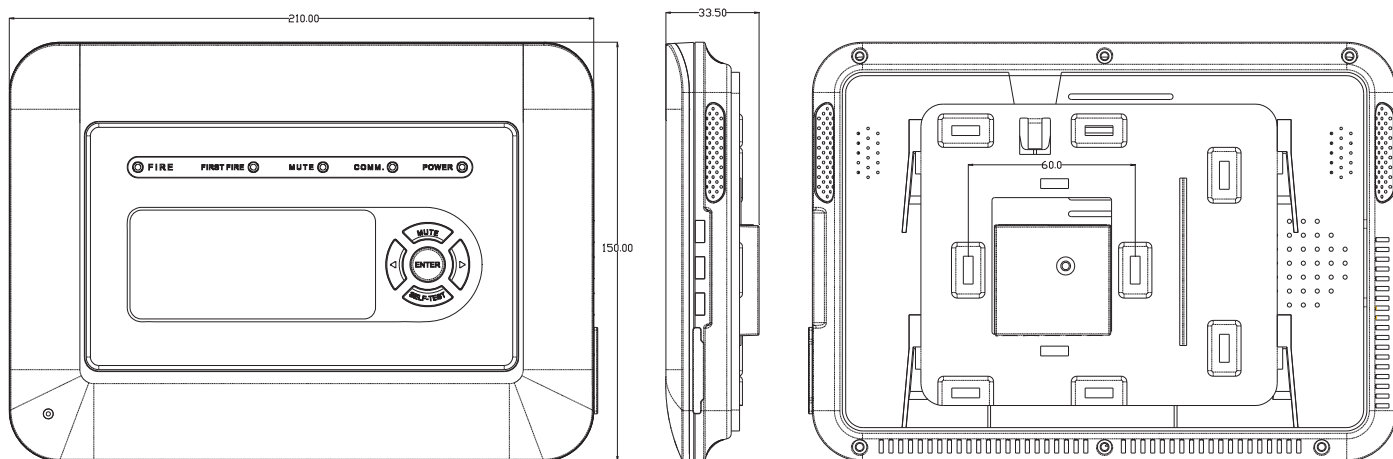


Figure 1 Dimensions

V. Product Usage

1. Terminal description:

- +24V: positive power input
- GND: negative power input
- A: signal terminal 485A
- B: signal terminal 485B
- : PE

2. Wiring diagram:

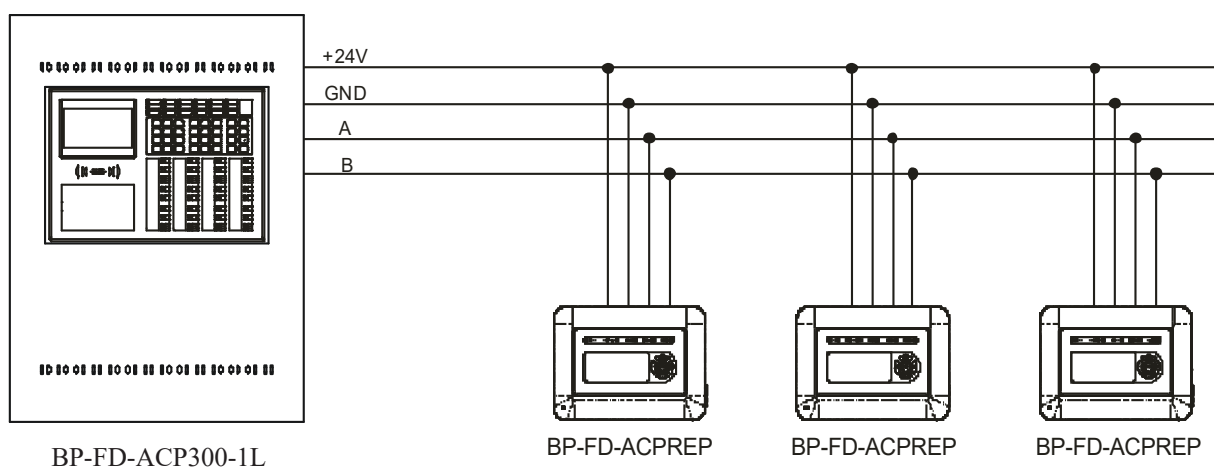


Figure 2 Wiring Diagram

3. Function introduction and usage :

1) Indicators

Indicator	Color	Description
POWER	green	The power green indicator light is always on when the power supply is normal.
FIRE	red	Lights when there is a fire alarm.
COMM.	green	Normally for flashing state, long time without blinking for communication fault.
FIRST FIRE	red	Lights when the displayed message is the first fire alarm.
MUTE	green	Lights when the system or device is muted.

2) Interface display

When the power is on, the interface shows "System Normal" as shown in Figure 3. When the fire display is in the normal monitor status, this interface is displayed. The upper right corner of the screen shows the current date and time, which is synchronized with the controller's mainframe.

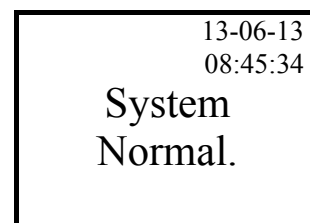


Figure 3 normal monitor state

Fire indicating panel can display up to 99 fire or the interface is as shown in Figure 4. When more than one fire alarm or displayed, the next message the time interval for rolling the current displayed message the FIRST FIRE indicator will

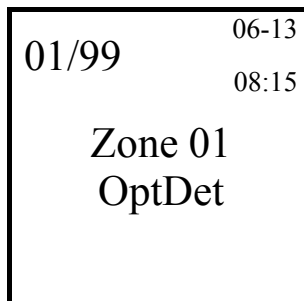


Figure 4 fire display state

feedback information, Figure 4. When more feedback message is will be scrolled, and display is 8 seconds. If is the first fire alarm, light.

3) Operating instructions

The fire indicating panel is set with five operation keys, which are SELF-TEST key, MUTE key, left key, right key and ENTER key.

(1) Keyboard lock function

SELF-TEST key, set key, and **ENTER** key must be in the state that the keyboard is unlocked, their operating function is valid. When the display screen is off, press any key can wake it up, then press the left key (set key) or **SELF-TEST** key, the interface will prompt for the password. Press the left key + **SELF-TEST** + right key + **ENTER** in turn to unlock the keyboard lock. After the success of unlocking, it can operate the fire indicating panel

address, display mode, display language and self-check. After the operation is completed, return to the normal operation interface, press the **ENTER** key to close the keypad lock and turn off the display.

(2) Self-test function

After the key is unlocked, press the **SELF-TEST** key, and the fire indicating panel begins to self-check. At this time, the display screen and indicators are all lit up for about 2 seconds, with the honking of the horn . After the self-test, the keyboard lock will be closed.

Note: When reporting fire alarm or in the setting interface, can not carry out self-test !

(3) Mute function

Press the **MUTE** button can eliminate the fire alarm sound of the machine, light up the mute indicator. The fire alarm control panel is capable of remote silencing for the fire indicating panel. When the fire alarm is received again, the fire display panel can re-fire the fire alarm sound and extinguish the MUTE indicator light.

(4) Query function

After receiving two or more fire alarm messages, the machine will automatically scroll to display the fire alarm information . Every time you press the left key , it shows the last fire alarm message, and each time press the right, it shows the next fire alarm. If keys are not operated within 10 seconds, the machine will automatically return to the first fire alarm message and begin the scroll display.

(5) Return function

Press the **ENTER** key to exit the address setting interface, while in other setting interfaces, right-click to exit the current setting interface and return to the normal interface. If a fire alarm occurs, the fire alarm interface shows, at this time users can not enter or operate the setting interface until the system is reset.

4) Native settings

Enter the unlock state and then press the set key to enter the setting interface, as shown in Figure 5. Press the **MUTE** button to move the cursor up, **SELF-TEST** key to move the cursor down; Press the **ENTER** key to enter address setup, language setup or display setup these three corresponding menu of the cursor position. After

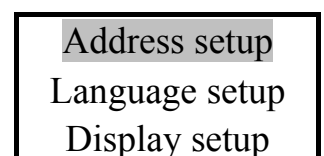


Figure 5 native settings

setting, press the **ENTER** button to save the Settings.

(1) address setup

After entering the address setting interface, as shown in Figure 6, "01" indicates the local address number. Press the left and right key to move the cursor around, press the **MUTE** key the number add one, while press the **SELF-TEST** key it subtract one. After the setting is completed, press the **ENTER** key to save and exit. If only query, also press **ENTER** key to exit.

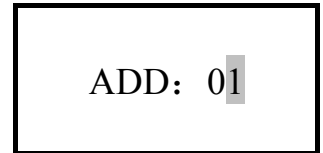


Figure 6 local address setup

(2) language setup

After entering the language setting interface, as shown in Figure 7, the Chinese state is selected. Press the **ENTER** key to save and exit after the setting is completed. If only query, press the right key to exit.

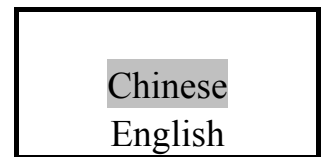


Figure 7 language display setup

(3) display setup

After entering the display setting interface, as shown in Figure 8, the display is open. Press the **ENTER** key to save and exit after the setting is completed. If only query, press the right key to exit.

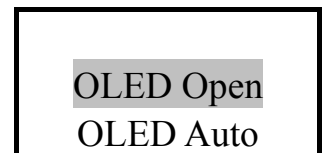


Figure 8 display setup

Note : The default address of the fire indicating panel is 01. The default language is Chinese and the default display mode is auto.

VI. Product Installation and Debugging

1. Installation method

The installation of a fire indicating panel requires the use of a special supporting base, with a method of a wall-mounted pre-buried 86 box. The external cable is directly connected to the fire indicating panel, and for the convenience of wiring, it is suggested to draw the cable to a 10cm outside of the 86 box. The supporting base is shown in Figure 9, the size of which is 132mm x 108mm x 6mm (length x width x height), and the installation spacing of the base and 86 boxes is about 60mm.

2. Installation procedure

- 1) Fix the fire indicating panel base on the embedded 86 box.
- 2) Connect the cables led out of the box (86) according to the definition of the terminal panel of the fire panel and fix it.

3) Align the guide groove on the back of the fire indicating panel with the guide rail of the base and press the panel downwards along the wall until the guide groove on the back of the fire indicating panel fits the base fully. Then tighten the hook on the back of the panel and the guide piece of the fixed base with supporting screws (as shown in Figure 10).

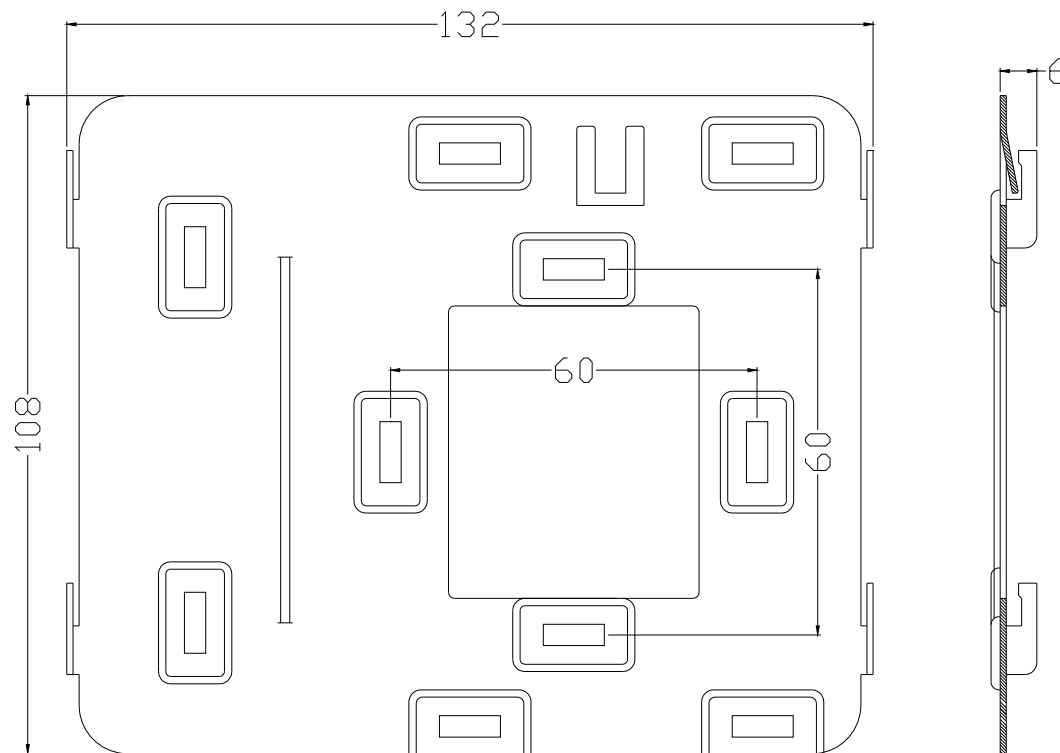


Figure 9 foundation dimensions

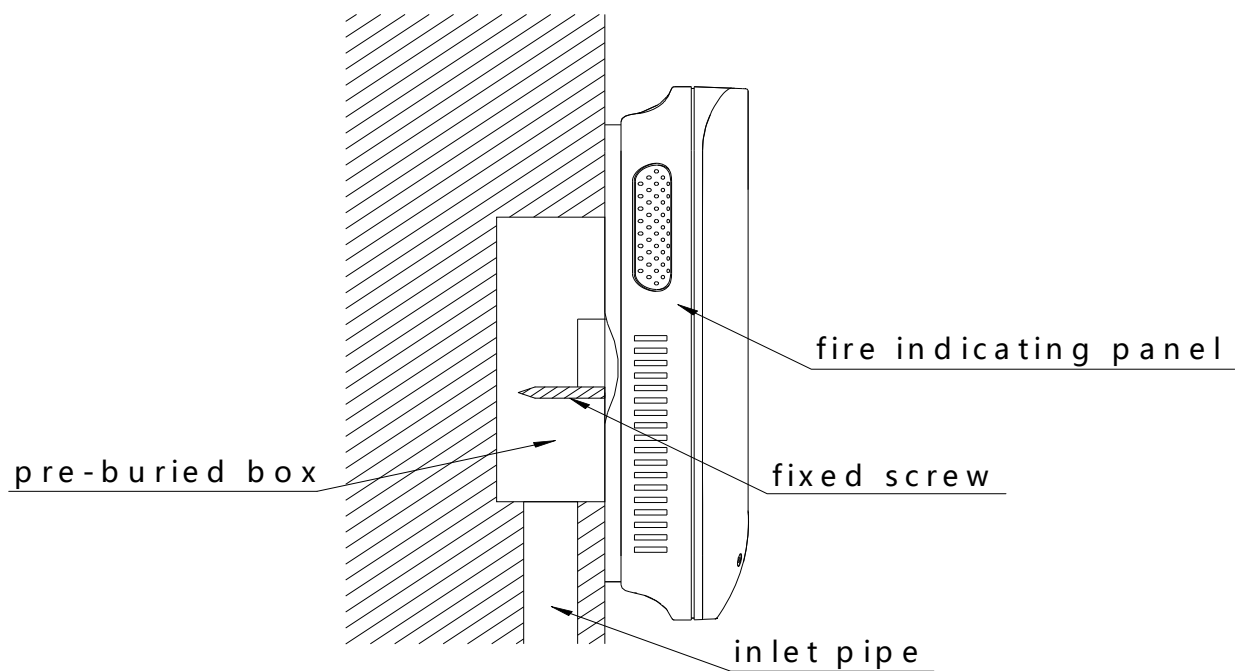


Figure 10 fixation

3. Debugging method

- 1) After all the products are installed and confirmed, turn on the power of the fire alarm control panel, set address number for the installed fire indicating panel, and register the corresponding fire indicating panel on the fire alarm controller. At the same time according to the physical location of the fire indicating panel, configure the properties of the panel, such as districts, blocks, floors, rooms and other information.
- 2) If the installation is correct and the data is configured correctly, the COOM. Indicator will flash, indicating that the fire indicating panel has been operating normally.
- 3) Simulate reporting multiple fire (or feedback) for test, the fire indicating panel in the same or adjacent layers (according to "roll layer" fire alarm controller Settings) with those simulated fire (or feedback) will receive fire (or feedback) information, lit the fire emergency lights, at the same time show the location and time of the fire alarm. After the test, reset the fire alarm control panel, fire indicating panel will be reset at the same time.

VII. Fault Analysis and Troubleshooting

Faults	Possible Reasons	Solutions	Remarks
The fire indicating panel shows no display or abnormal display.	The power is not normal	Check the DC24V power supply	
	Poor connection with the controller cable	Check the connection cable	
	LCD or the main CPU is damaged	Return to factory for maintenance	
Indicating panel communication is abnormal.	The communication line has something wrong, or the host did not send the inspection data.	Check if there is any problem with the signal line.	
Unable to report fire alarm.	Check if the host has properly registered fire indicating panel.	The host registers the indicating panel.	

Attention

1. Check whether there are any problems with the line before waking up the machine, such as short circuit, open circuit, wrong connection, etc.
2. The fire indicating panel is a precision electronic product, which needs to be managed by a special person.
3. Please do not wipe the machine surface with alcohol.

For Inquiries, Please contact:

Security Shop

Vladimira Popovica 6/6/A606

11070 Novi Beograd, Serbia

Tell: +381 11 318 68 68

office@securityshop.rs

Imported/Distributed by Security Shop doo

BLAUPUNKT and the BLAUPUNKT logo are trademarks of
TALISMAN BRANDS (Luxembourg) S.A.R.L. and are used
under license from Talisman Brands, Inc.

BLAUPUNKT licensees are solely responsible for
the BLAUPUNKT branded products manufactured,
distributed and sold under license.

www.blaupunkt.com