

24" PROFESSIONAL MONITOR FOR CCTV

BP-MON-24CCTV



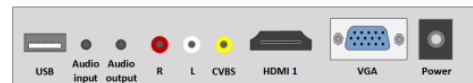
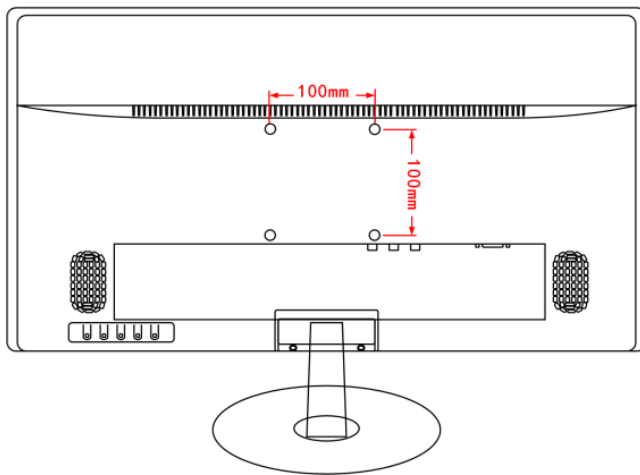
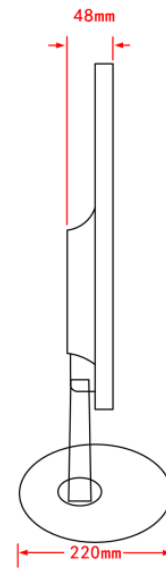
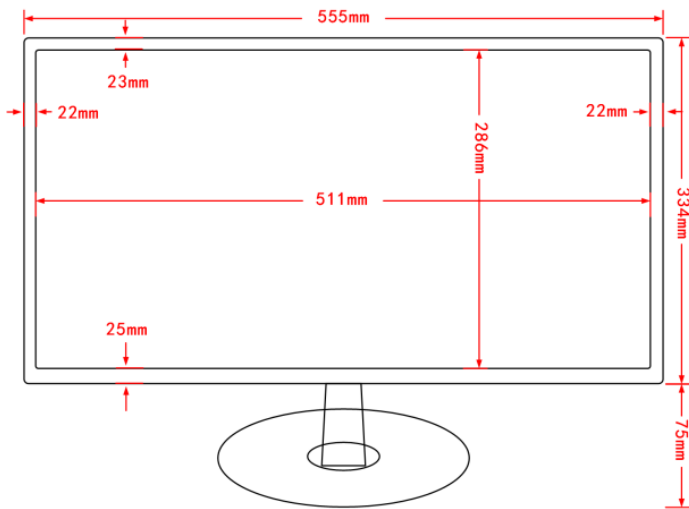
FEATURES

- HD: 1920*1080 resolution is higher than ordinary monitors.
- Automatically detect resolution of the input signal at the bottom left of screen when starting up, and show the clarity.
- Clarity: The picture is delicate and vivid, playing the true color.
- Bright: Improve image bright for better presentation.
- Using industrial screen, high brightness and high contrast ratio.
- Using high-precision standard regulated power supply, specially designed for industrial equipment, supports 24h x 365 of uninterrupted work.
- Using 10bit image chip processing technology, high-pixel progressive scanning, presenting delicate and realistic picture quality.
- Support intelligent 3D noise reduction, remove afterimage function, dynamic brightness, contrast and color optimization technology.
- Apply the world's leading LCD driver solution to accurately restore the front-end signal, with a strong sense of reality.
- Liquid crystal has small size, low energy consumption, zero radiation, stable image, no effect on eyes.
- 5ms extremely fast response, avoiding the tailing phenomenon of the image in high-speed operation.
- Using nanotechnology, the picture is more three-dimensional and transparent.

PRODUCT PARAMETERS

Display	
Product model	BP-MON-24CCTV
Screen size	23.6 inch
Display resolution	1920*1080 (compatible with 3840*2160/30HZ)
Zoom	16:10
Brightness	250cd/m ² (center point, typical value)
Contrast	1000:1
Viewing angle	160° / 170°
Response time	5ms (Gray to Gray)
Color depth	16.7M
Function Attributes	
Control method	Panel
Interface	
Power input	12V / 4A
Input interface	HDMI / VGA / USB / CVBS / Audio input
Output interface	Audio output
Power consumption	
Whole	30W
Structure	
Color	Black body
Material	flame retardant plastic
Dimensions	556*334*48mm, not including foot height 75mm
Installation	base, VESA (100mm*100mm)
Net/gross weight	3.6kg/4.5kg
Package weight	25.5kg
Package size	615*460*105mm
Package size	5 pcs in one packaging, 643*558*482mm
Operation environment	
Temperature	most suitable for 20°C
Humidity	10% - 90%RH
Attachment list	
Power cord, warranty card, manual, HDMI cable, base, self-tapping screws PA4*12MM (one bag)	

DIMENSIONS



PECAUTIONS

- Be careful when transporting and handling;
- Do not use it in corrosive, flammable and explosive places;
- In order to avoid the danger of electric shock, please cut off the power during installation, debugging and moving;
- Do not install it near the heat source, so as to avoid the product temperature being too high and damaging;
- Ensure that all connectors are connected correctly and reliably;
- Do not open the cover of the product without permission.