

Network Video Recorder

BP-NVR-3432



Key Features

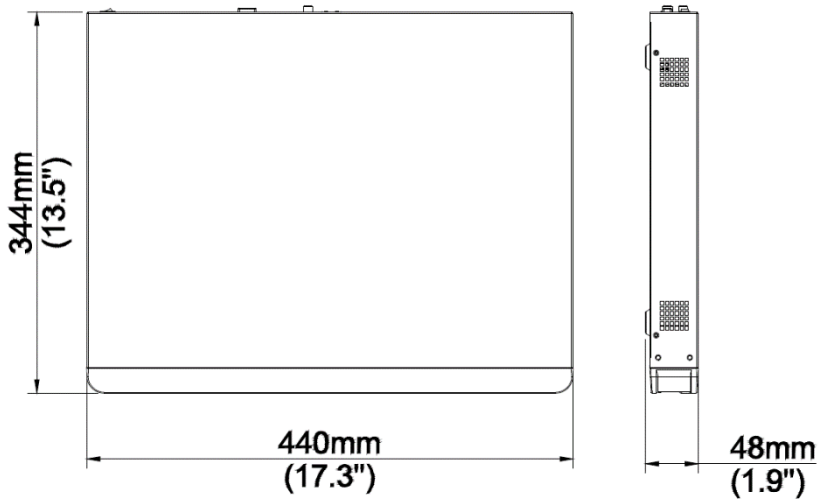
- Support Ultra H.265/H.265/H.264 video formats
- 32-channel input
- Supports mainstream cameras of ONVIF conformance (Profile S, Profile G, Profile T) and RTSP protocols
- Support 1-ch HDMI, 1-ch VGA. HDMI up to 4K (3840x2160) resolution
- HDMI and VGA independent outputs provided
- Up to 12 Megapixels resolution recording
- 4 SATA HDDs, up to 8TB for each HDD
- Support RAID 1, 5
- Various fisheye de-warping modes for live view and playback for both web interface and GUI
- ANR technology to enhance the storage reliability when the network is disconnected
- Support cloud upgrade

Specification:

Video / Audio Input	
IP Video Input	32-ch
Audio Input	1-ch, RCA
Video / Audio Output	
HDMI / VGA Output	HDMI: 4K (3840x2160)/30Hz, 1920x1080p/60Hz, 1920x1080p/50Hz, 1280x1024/60Hz, 1280x720/60Hz, 1024x768/60Hz VGA: 1920x1080p/60Hz, 1920x1080p/50Hz, 1600x1200/60Hz, 1280x1024/60Hz, 1280x720/60Hz, 1024x768/60Hz
Recording Resolution	12MP/8MP/6MP/5MP/4MP/3MP/1080p/960p/720p/D1/2CIF/CIF
Audio Output	1-ch, RCA
Audio Compression	G.711A, G.711U
Synchronous Playback	16-ch
Live view display	1/4/6/8/9/16/25/36
Corridor Mode Screen	3/4/5/7/9/10/12/16/32
Network	
Incoming Bandwidth	320Mbps
Outgoing Bandwidth	320Mbps
Remote Users	128
Protocols	TCP/IP, P2P, UPnP, NTP, DHCP, PPPoE, HTTP, HTTPS, DNS, DDNS, SNMP, SMTP, NFS
Snapshot	
FTP/Schedule/Event Snapshot	16-ch snapshot, up to 1080P resolution
Hard Disk	
SATA	4 SATA interfaces
Capacity	Up to 8TB for each disk (The maximum HDD capacity varies with environment temperature)
Disk Group	Support
eSATA	N/A
RAID	RAID 1,5
Decoding	
Decoding format	Ultra 265/H.265/H.264
Live view/Playback	12MP/8MP/6MP/5MP/4MP/3MP/1080p/960p/720p/D1/2CIF/CIF
Capability	1 x 12MP@30, 2 x 4K@30, 5 x 4MP@30, 10 x 1080P@30, 22 x 720P@30, 32 x D1
External Interface	
Network Interface	2 RJ45 10M/100M/1000M self-adaptive Ethernet Interfaces
USB Interface	Front panel: 1 x USB2.0, Rear panel: 1 x USB2.0 1 x USB3.0
RS232	N/A
RS485	1

Alarm In	4-ch
Alarm Out	1-ch
Smart	
VCA Search	Face Search, Face Comparison Search, Behavior Search, Vehicle Search
VCA Detection by camera	Face Detection, Face Comparison, Intrusion Detection, Cross Line Detection, Enter Area, Leave Area, Defocus Detection, Scene Change Detection, Object Left Behind, Object Removed, Auto Tracking, Ultra Motion Detection (UMD)
People counting	People Flow Counting, Crowd Density Monitoring
Smart Intrusion Prevention (SIP), Face Detection, Face comparison, Vehicle Detection, UMD by Camera	Total 8-ch
General Alarm	
General Alarm	Motion, Tampering, Human Body Detection, Video Loss, Input Alarm, Audio Detection
Alert Alarm	IP Conflict, Network Disconnected, Disk Offline, Disk Abnormal, Illegal Access, Hard Disk Space Low, Hard Disk Full, Recording/Snapshot Abnormal
Certification	
Certification	CE, FCC, UL, RoHS, WEEE
CE	EN 55032: 2015, EN 61000-3-3: 2013, EN IEC 61000-3-2: 2019, EN 55035: 2017
FCC	Part15 Subpart B, ANSI C63.4
General	
Power Supply	12V DC/5A Power Consumption: ≤ 12 W (without HDD)
Working Environment	-10°C ~ + 55°C (+14°F ~ +131°F), Humidity ≤ 90% RH (non-condensing)
Dimensions (W × D × H)	440mm × 344mm × 48mm (17.3" × 13.5" × 1.9")
Weight (without HDD)	≤3Kg (6.61lb)

Dimensions



Rear Panel

