

100V WALL MOUNT SPEAKER

BP-PA-SP20W-WM



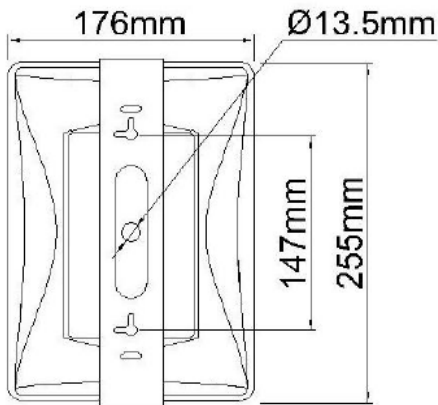
FEATURES

- Input 70V / 100V
- Wide Freq. Resp.: 95Hz-20KHz
- Max SPL: 103±2dB
- High sensitivity: 90±2dB
- Wall mount type loudspeaker
- Metal grille and ABS enclosure of black color
- Equipped with hanging holes for mounting convenient

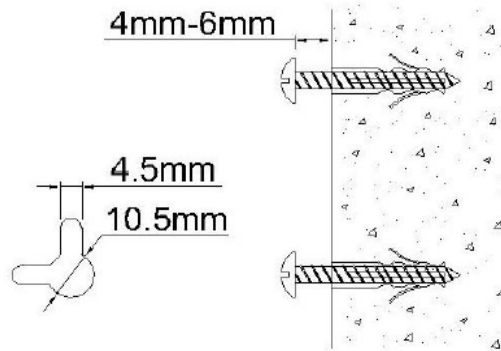
TECHNICAL SPECIFICATION

Model: BP-PA-SP20W-WM			
Speaker unit	4"×1, 1"×1		
Rated power	20W		
Input sensitivity (1M, 1W)	Constant voltage	70/100V	
	Constant resistance	8Ω	
	90 ± 2dB		
Contrast Max SPL (1M)	103 ± 2dB		
Freq. Response	95Hz - 20kHz		
Weight	2.6 kg		
Dimension (H × W × D)	255 × 176 × 170mm		

HANGING HOLE



NAIL FOR MOUNTING



INSTALLATION

1. Fit two Ø4mm nails on wall where it is needed to install a speaker system.
2. Connect audio broadcasting wire to the speaker according to the table below.

Terminal	Constant voltage		Constant resistance
	70V	100V	
Power	30W	-	30W
Input Voltage	15W	30W	
	8W	15W	
	5W	8W	
	2.5W	5W	
Red--White			

NOTE

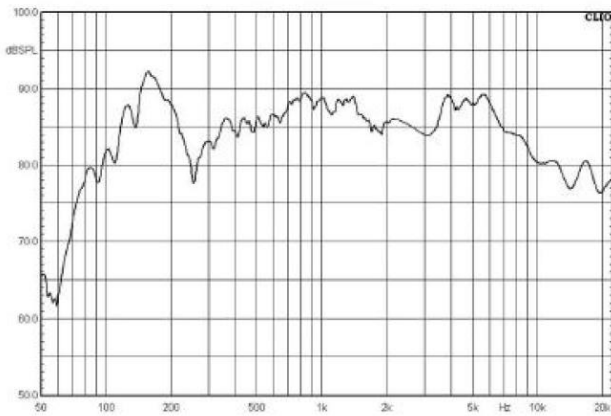
When the audio line is the constant voltage, prohibit the knob to the 8Ω.

Prohibit to adjust to “---” under state at 100V cause speaker damage!

3. Position the speaker, then adjust the direction of it and examine whether it is steady.

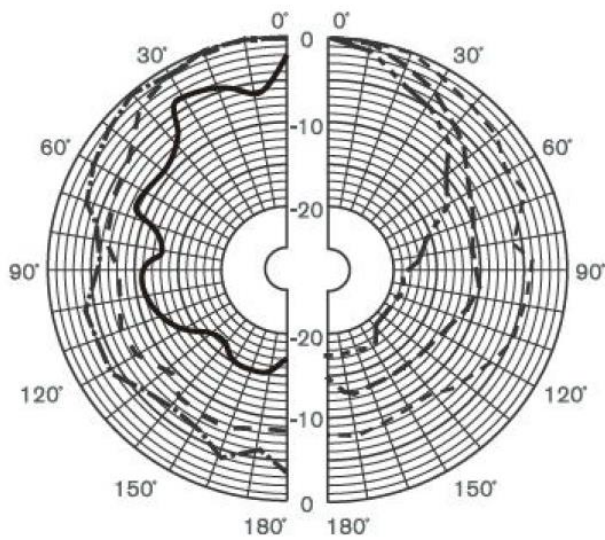
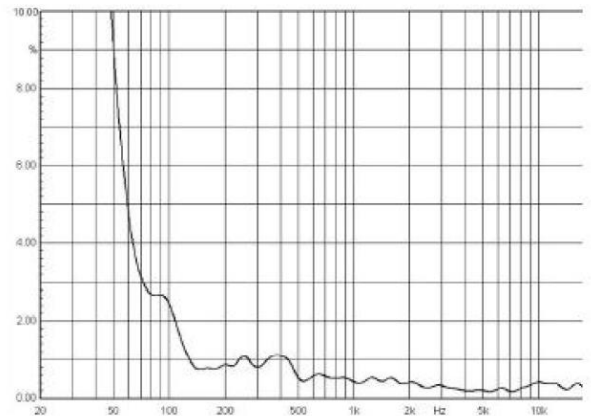
FREQ. RESPONSE

(dB SPL, 1W, 1m)

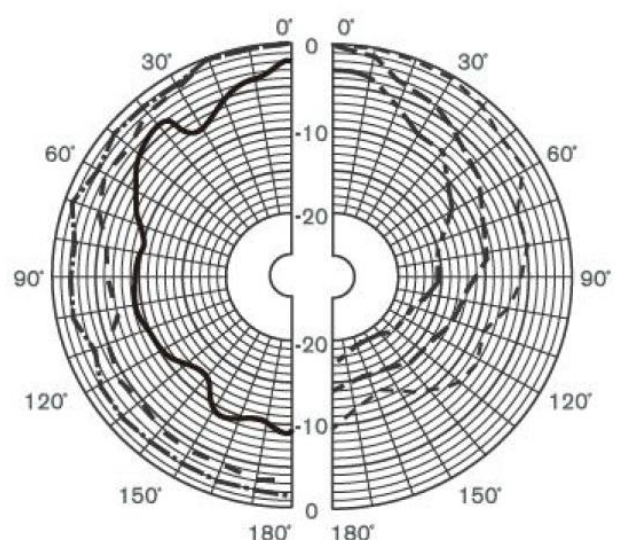


DISTORTION

(THD < 1.5% 1W, 1m, 200Hz-12kHz)

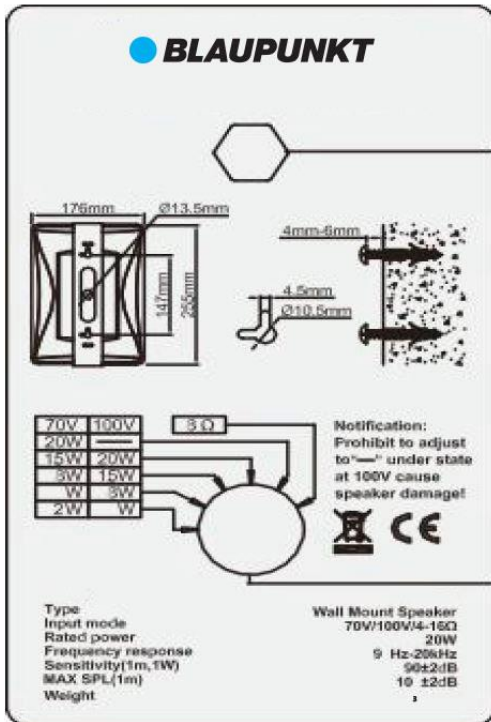


Vertical directivity pattern



Horizontal directivity pattern

POWER ADJUSTMENT KNOB



Audio line interface

Power adjustable knob

Type
Input mode
Rated power
Frequency response
Sensitivity(1m,1W)
MAX SPL(1m)
Weight

Wall Mount Speaker
70V/100V/4-16Ω
20W
9 Hz-20kHz
90±2dB
10 ±2dB

Power	Voltage	Constant voltage		Constant resistance
		70V	100V	8Ω
Terminal Red---white		20W	—	20W
		15W	20W	
		8W	15W	
		4W	8W	
		2W	4W	

Notification:

When the audio line is the constant voltage, prohibit the knob to the 8Ω. Prohibit to adjust to “---” under state at 100V cause speaker damage!