

TRIPOD TURNSTILE

BP-TT303

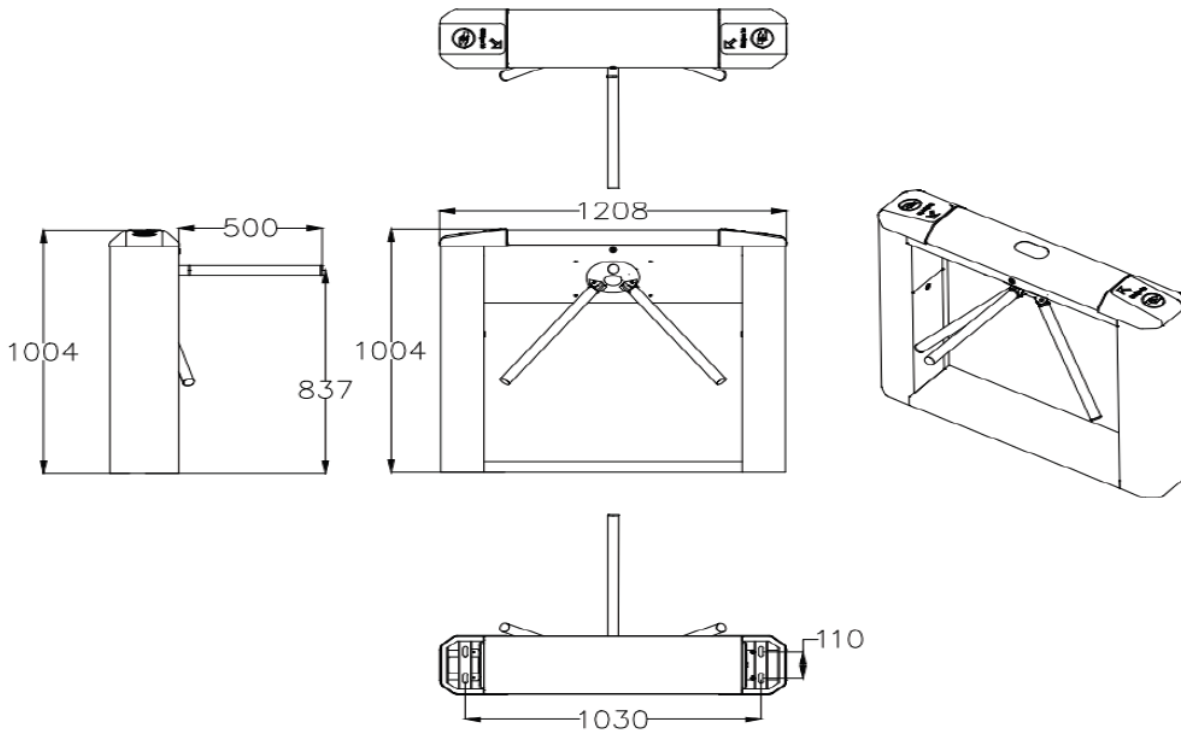


FEATURES

- 304 stainless steel body
- High durability with industrial parts
- Advanced smart control intelligent motherboard
- All running is quiet without any noise and shock
- All outlook and function support customized

SPECIFICATION

Model: BP-TT303	
Technical Parameters	
Voltage	220V + 10%, 50Hz/60Hz
Material	SUS304
Dimension	1208*244*1004
Input voltage	+24V level signal or pulse signal greater than 100ms
Drive current	less than 10mA
Arrow indicator light	circuit 1 voltage control or high/low level control indicator
Input port	circuit 2 opening signal
Working temperature	-30°C ~ 80°C
Relative humidity	≤95%
Arm	50MM
Arm Turning	Uni-direction or Bi-direction
Reset time	10s (default)
Emergency measure	free passage after power cut



Note: This model can be freely combined into single-channel, dual-channel, and multi-channel. The standard passage width of this model is 550mm.

