

7-INCH INDOOR MONITOR

BP-VDP-IS724-B



FUNCTION REVIEW

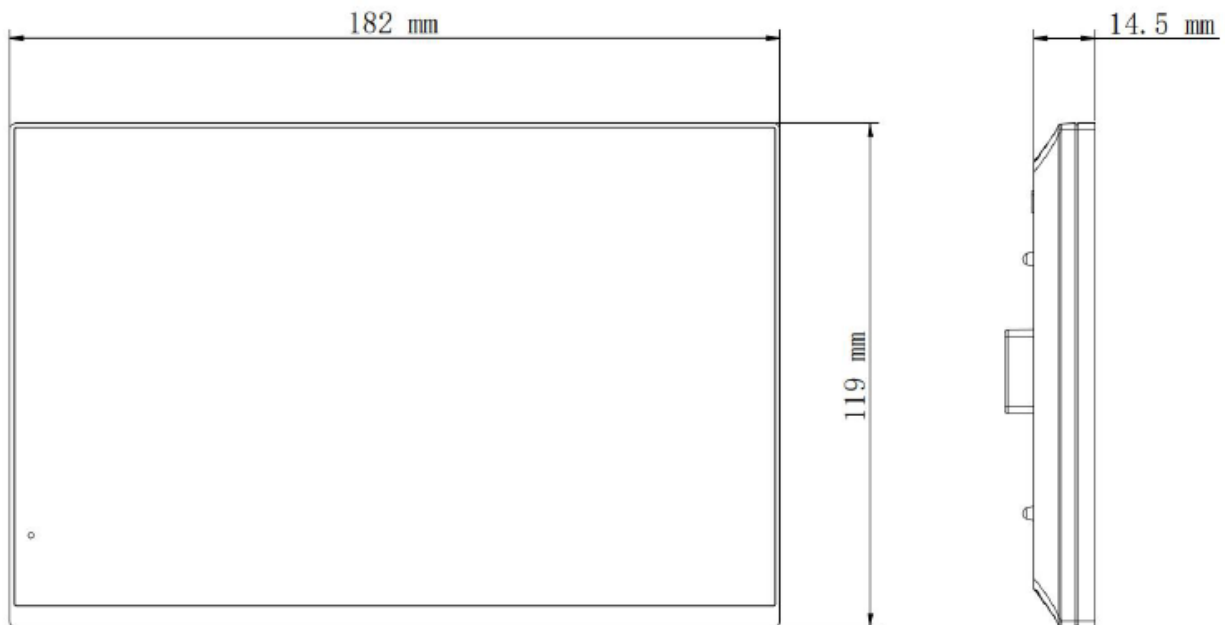
Based on TCP/IP transmission protocol, this product is the video door phone system, it supports video phone intercom, defense area setting and picture pushing. Details of the device are as follows:

- 7" capacitive touch screen
- Support 24V non-standard PoE switch (power with 1,2 / 3,6 or 4,5 / 7,8)
- Support connection to doorbell and mini outdoor station
- Support extendable elevator-reserve service, support elevator reservation from residents and visitors.
- Support real time surveillance to outdoor/gate/villa station, IP camera
- Support receiving message from management center
- Support multi - indoor monitor in one apartment, synchronizing arm/disarm
- Support video chat between residents and visitors/guard unit
- Support voice intercom between residents in the same community and other indoor monitors in the same flat
- Support the standard 7 areas or 8 IO defense areas.

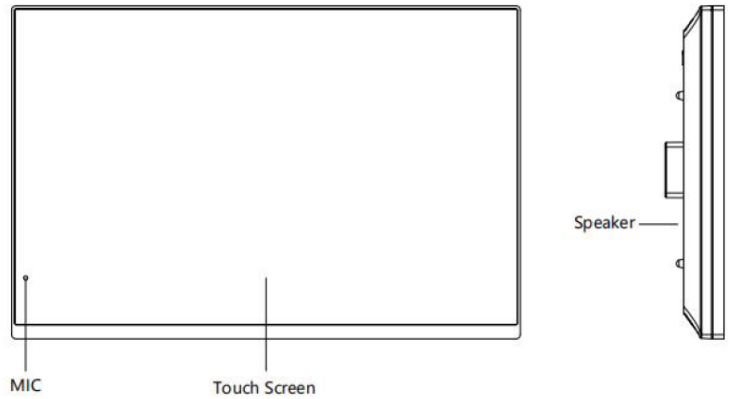
SPECIFICATION

Model: BP-VDP-IS724-B	
Parameters	
Working Voltage	DC 24V
Device Quiescent Current	≤ 80 mA
Device Working Current	≤ 200 mA
Screen size	7-inch
Resolution	800 × 480
Appearance Dimension	182 × 119 × 15mm
Environment	-10°C ~ +55°C
Call Waiting	30s
Call Duration	120s
Surveillance Duration	30s

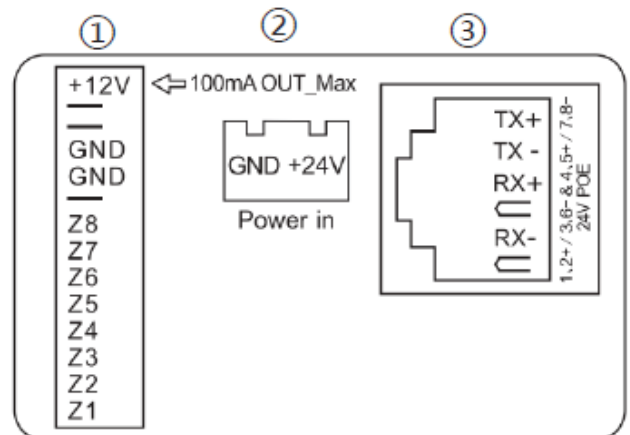
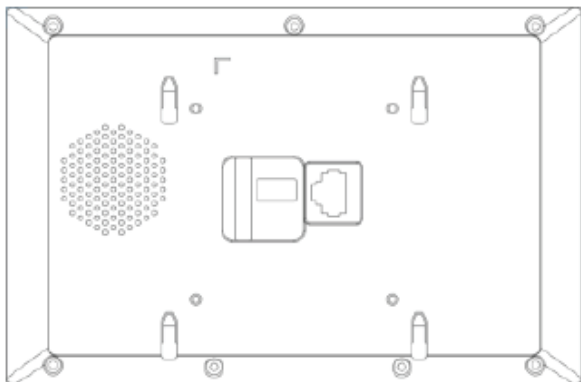
DIMENSION



PRODUCT APPEARANCE



INTERFACE INTRODUCTION



Number①

+12V GND: power supply interface of defense area detectors
(the power supply current $\leq 100\text{mA}$, depending on the actual factory model)

Z8: doorbell function as default.

Z7 to Z1: standard defense area interface, support normal open/close security module.

Number②

External power input: DC 24 V.

Number③

Network Port (24V non-standard PoE switch, power with 1,2 / 3,6 or 4,5 / 7,8).