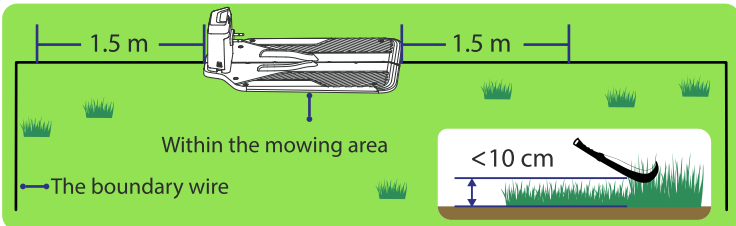
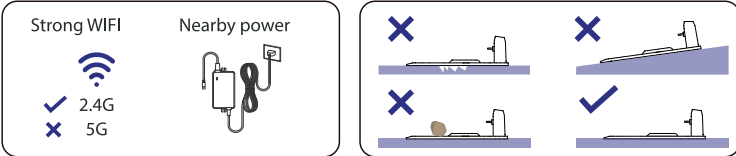


Step 1

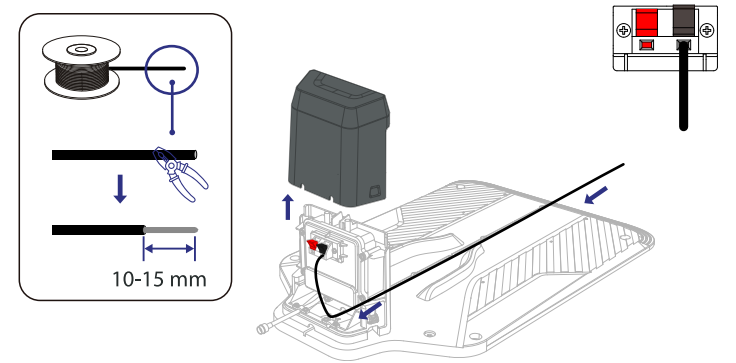
Maintain a minimum 1.5 m/5 ft. straight boundary wire in front and behind of the docking station.



Warning: Please place the docking station on a flat and soft surface to ensure that the 40 cm long metal ground nails can be smoothly inserted into the ground. Watch for underground pipes.

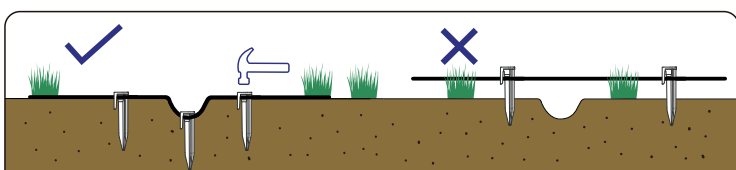
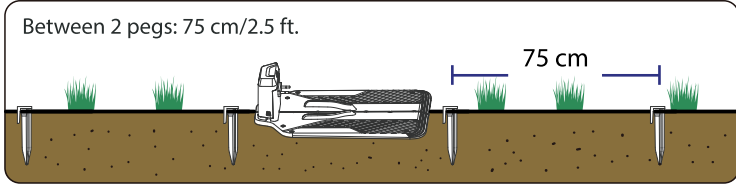
Step 2

Peel off the insulation layer of the wire end by 10-15 mm/0.39-0.59 in., and properly insert the boundary wire into the black socket.



Step 3

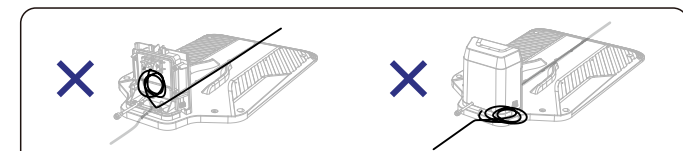
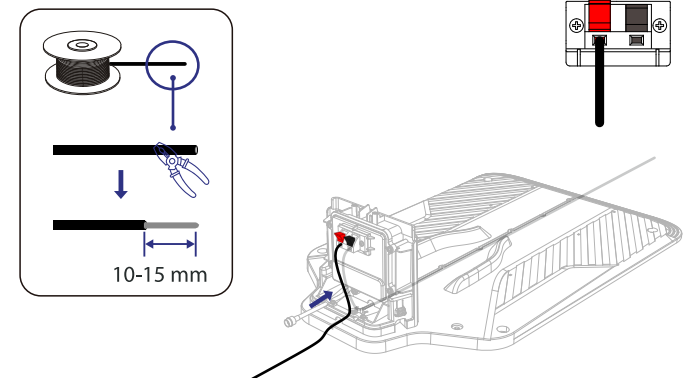
To ensure stability, we recommend securing the boundary wire with pegs every 75 cm/2.5 ft.



Warning: Make sure the boundary wire is tightly attached to the ground. Do not place objects around the boundary wire to avoid affecting the robot's movement.

Step 4

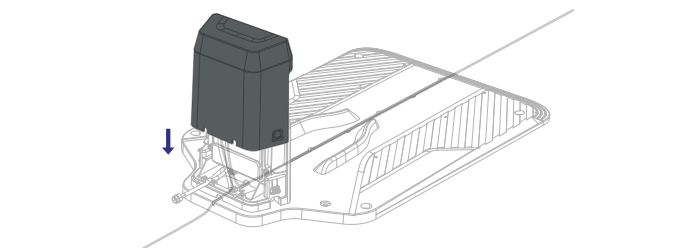
Peel off the insulation layer of the other wire end by 10-15 mm/0.39-0.59 in., the boundary wire need to be properly inserted into the red socket.



Warning: Please cut off the excess boundary wire. Please don't put the boundary wire under the docking station.

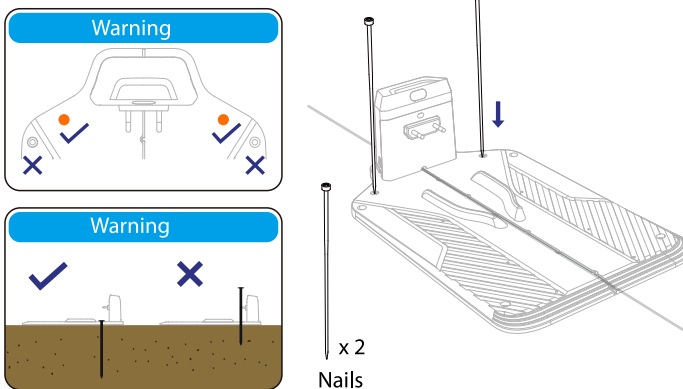
Step 5

Install the back cover to make sure the docking station waterproof.



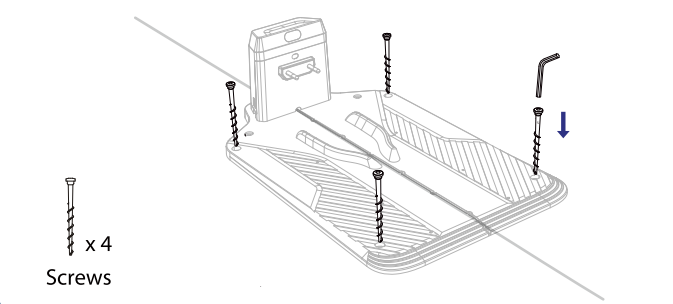
Step 6

Hammer the 2 metal nails into the lawn at the docking station head.



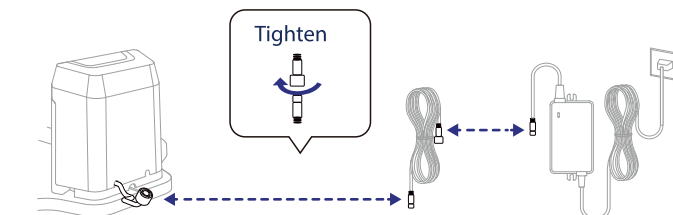
Step 7

Tighten the 4 plastic screws with a hex wrench to secure the station.



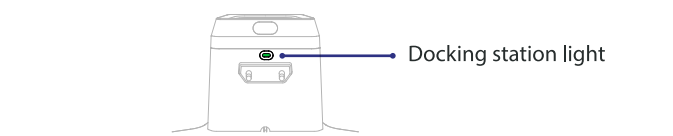
Step 8

Connect the aviation plug at one end of the adapter to the docking station, then connect the adapter to the power supply.



Step 9

If the docking station light is solid white, it indicates that the installation of the boundary wire has been completed.



Step 10

Move the mower onto the docking station and clear away obstacles such as branches on the lawn to prepare for operation.

Download the Intelligent mower app



Download on the App Store

Get it on Google Play

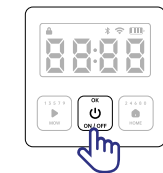
Download the Intelligent mower App

Intelligent mower APP can be downloaded from Apple APP Store or Google Play. Or scan the QR code to download and install Intelligent mower APP. Follow the APP prompts to add the device.

Precautions: Please make sure that the WIFI network is 2.4G before adding a device.

Step 1

Power on/off

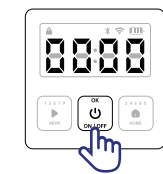


Press and hold 3s

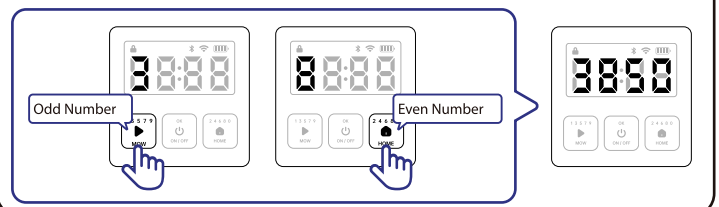
Step 2

Unlock the mower

Enter the 4-digit PIN code to unlock it, the default PIN code is 0000. Click the OK button 4 times to confirm.



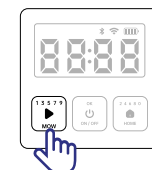
Confirm



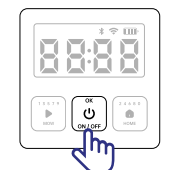
Step 3

Start global mowing

Step 1



Step 2

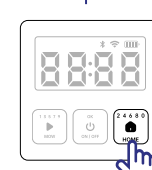


Warning: On error, consult manual for code solutions, then press MOW+OK to start mowing.

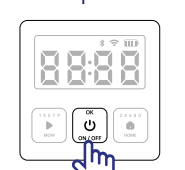
Step 4

Mower returns to the docking station

Step 1



Step 2



Install The Boundary Wire

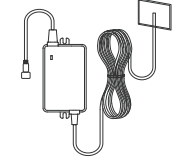
The corner should be greater than 90°.

The distance between the two boundary wires at the narrow passage should be greater than 60 cm/24 in.

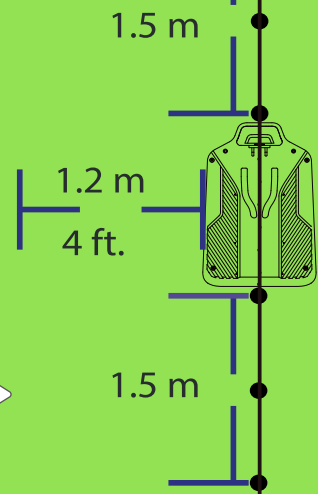
>60 cm

Strong WIFI

Nearby power

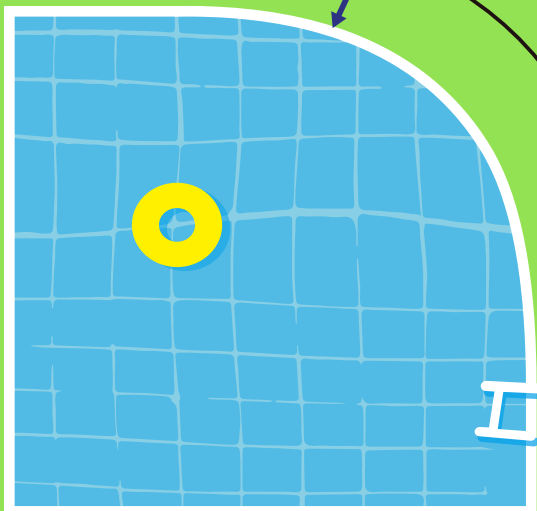


The front and back of docking station need to lay at least 1.5 m/5 ft. straight boundary wire.



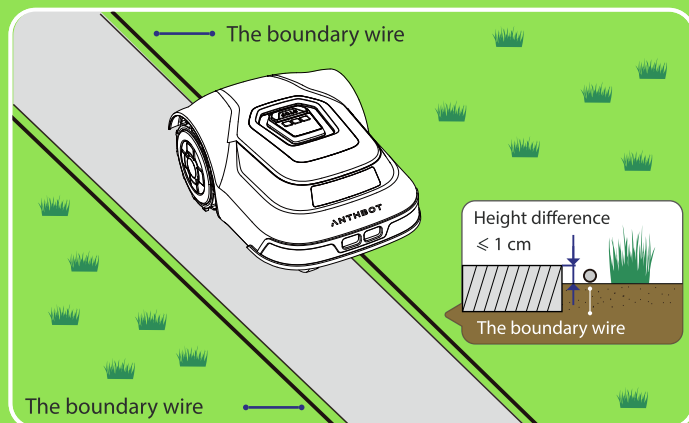
Maintain the wires at least 75 cm/2.5 ft. away from the pool.

>75 cm

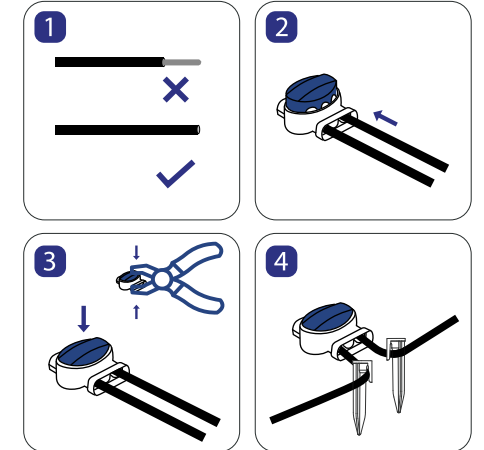


Maintain the wires 10 cm/4 in. away from obstacles below 1 cm/0.39 in.

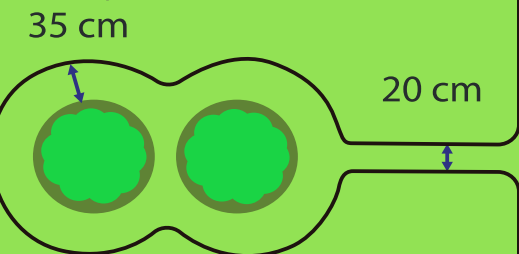
≤ 10 cm



Wire Connector Connection Guide

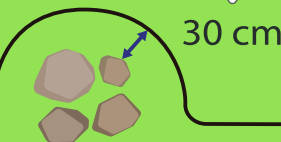


Maintain the wires 35 cm/14 in. away from obstacles higher than 5 cm/2 in.



The distance between the two parallel wires should be 20 cm/8 in.

Maintain the wires 30 cm/12 in. away from obstacles below 5 cm/2 in.



Download the Intelligent mower app



Download the Intelligent mower App

Intelligent mower APP can be downloaded from Apple APP Store or Google Play. Or scan the QR code to download and install Intelligent mower APP. Follow the APP prompts to add the device.

Precautions: Please make sure that the WIFI network is 2.4G before adding a device.